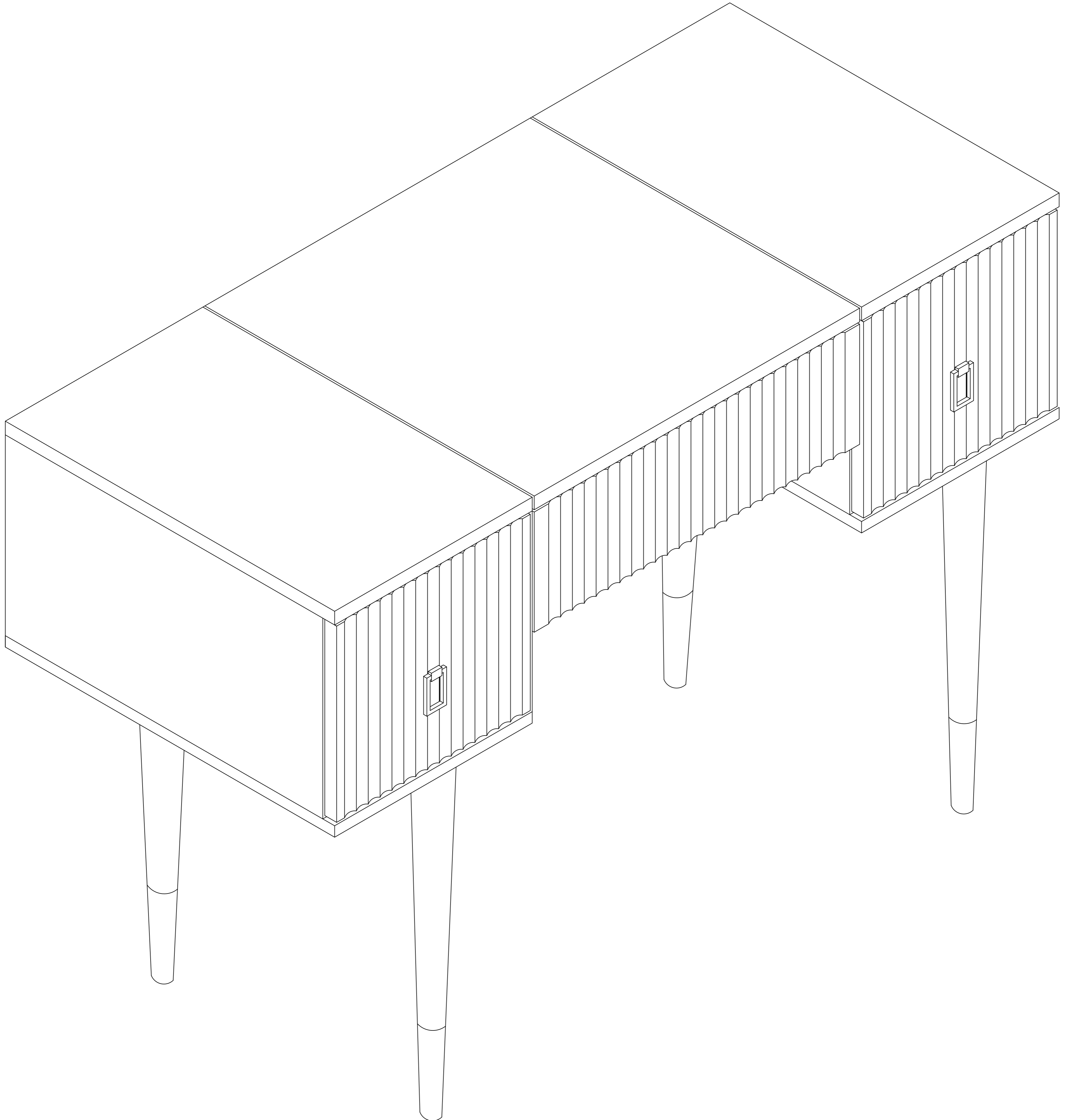


**ASSEMBLY INSTRUCTIONS**  
**Item No : WF305842AAA/AAE**  
**Description : VANITY TABLE**

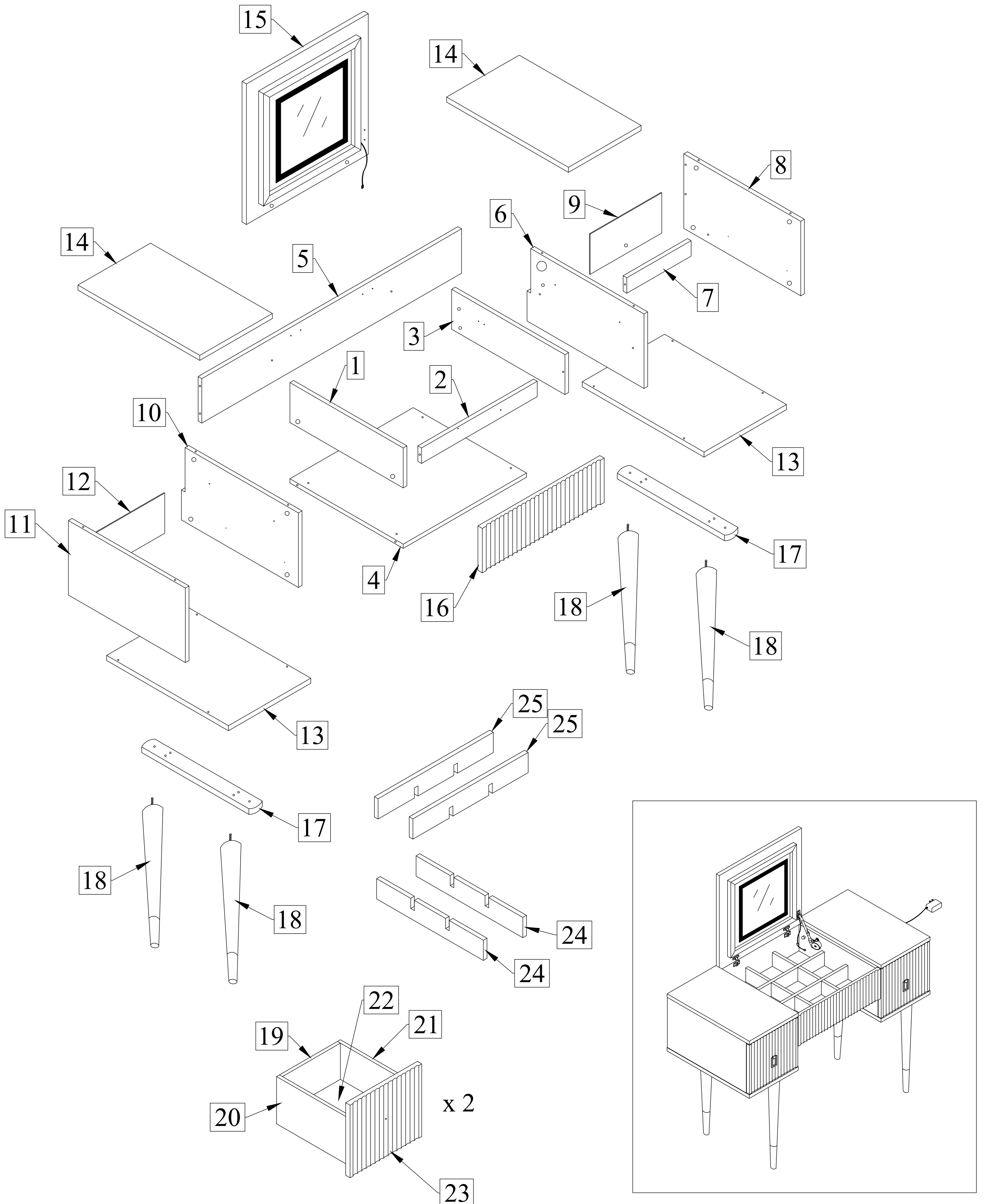
Thank you for purchasing this quality product. Be sure to check all packing material carefully for small part that may have come loose inside carton during shipment.



**WF305842AAA/AAE**

**ASSEMBLY INSTRUCTIONS**  
**Item No : WF305842AAA/AAE**  
**Description : VANITY TABLE**

Thank you for purchasing this quality product. Be sure to check all packing material carefully for small part that may have come loose inside carton during shipment.




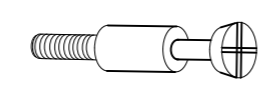
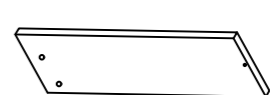
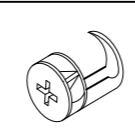
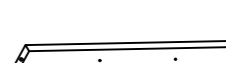
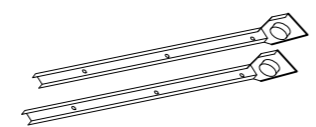
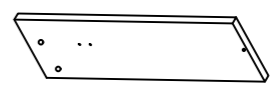
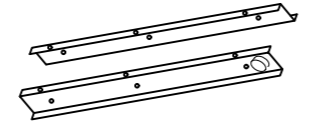
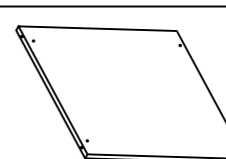

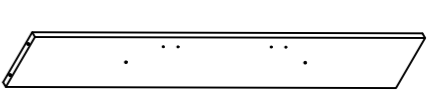
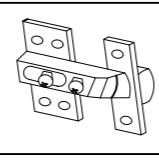
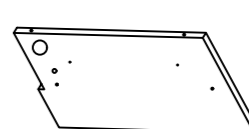
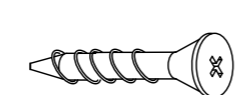
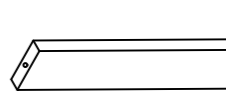
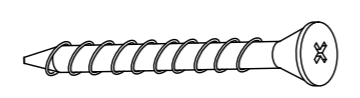
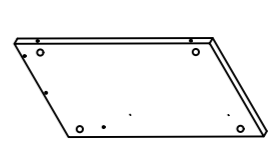
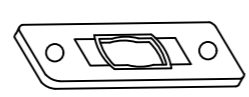
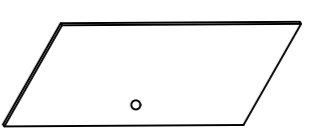
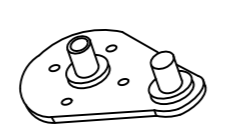
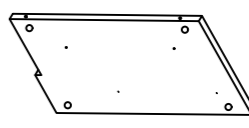
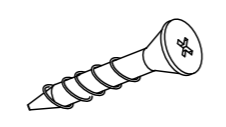
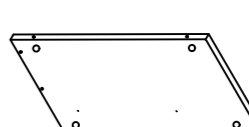
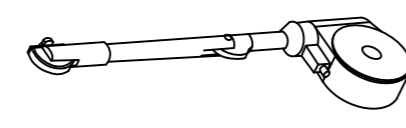

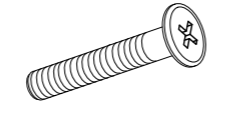
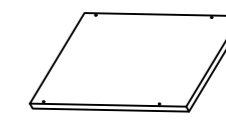
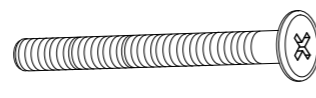
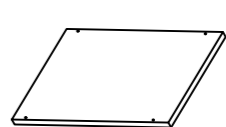
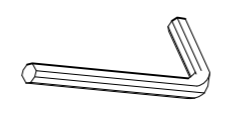
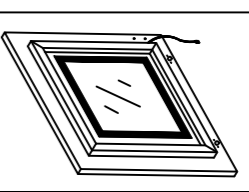
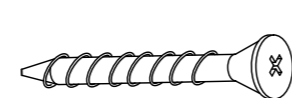
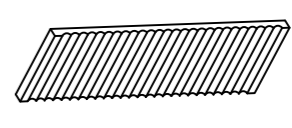
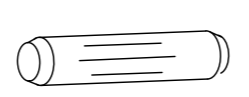

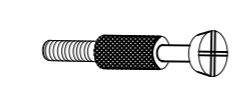
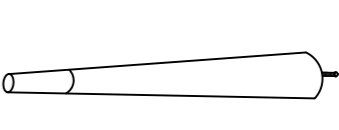
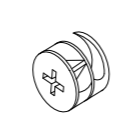
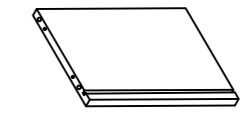
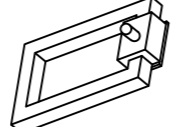
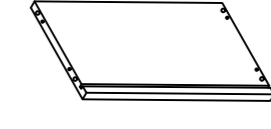
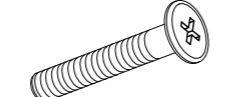
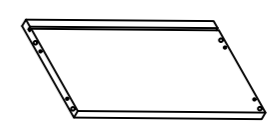
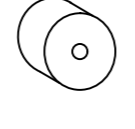
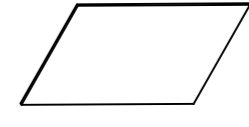
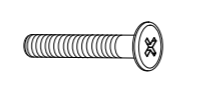
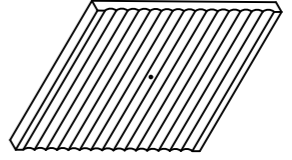
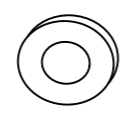
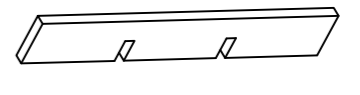
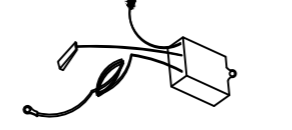
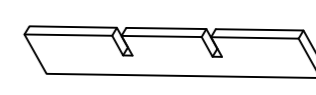

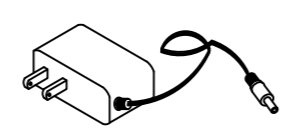
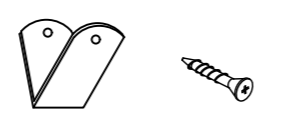
# ASSEMBLY INSTRUCTIONS

## Item No : WF305842AAA/AAE

### Description : VANITY TABLE

Thank you for purchasing this quality product. Be sure to check all packing material carefully for small part that may have come loose inside carton during shipment.

Hardware & Part List as below. Please note that Braking Arm (G), Handle (M) and Wiring (N) are packed separately. **Do NOT mix the screws and nuts within with other hardware.** Apply a battery screw machine for better assembly experience. This assembly will take around 60minutes.

TOOLS PROVIDED				Part List			
 Screwdriver				No.	Description	Sketch	Quantity
Hardware List							
No.	Description	Sketch	Quantity				
A1	Minifix		38PCS	1	M - Left Panel		1PC
A2	Minifix Cap		38PCS	2	M - Support Rail		1PC
B1	Drawer Slide		2SETS	3	M - Right Panel		1PC
B2	Drawer Slide		2SETS	4	M - Bottom Panel		1PC
C	Screw M3 x 12mm		32PCS	5	Back Rail		1PC
D	Soft Close Hinges 5/8		2PCS	6	R - Left Panel		1PC
E	Screw M3.5 x 16mm		12PCS	7	R - Support Rail		1PC
F	Screw M4 x 25mm		6PCS	8	R - Right Panel		1PC
G1	Braking Arm Holder 1		1PC	9	R - Back Panel		1PC
G2	Braking Arm Holder 2		1PC	10	L - Right Panel		1PC
G3	Braking Arm Screw		6PCS	11	L - Left Panel		1PC
G4	Braking Arm		1PC	12	L - Back Panel		1PC
G5	Braking Arm Nut		1PC	13	LR - Bottom Panel		2PCS
H	JCBC M6 x 30mm		8PCS	14	LR - Top Panel		2PCS
I	Allen Key M4		1PC	15	M - Top Panel		1PC
J	Screw M4 x 32mm		8PCS	16	M - Front Panel		1PC
K	Wood Dowel M6x30mm		16PCS	17	Leg Support Rail		2PCS
L1	Minifix [Drawer]		8PCS	18	Leg		4PCS
L2	Minifix Cap [Drawer]		8PCS	19	Drawer Back		2PCS
M1	Handle		2PCS	20	Drawer Side - L		2PCS
M2	Handle Screw M4x20mm		2PCS	21	Drawer Side - R		2PCS
N1	Touch Switch		1PC	22	Drawer Base		2PCS
N2	Touch Switch Screw		1PC	23	Drawer Front		2PCS
N3	Touch Switch Washer		1PC	24	Divider 1		2PCS
N4	Transit Box		1PC	25	Divider 2		2PCS
N5	Extension Wire		1PC				
N6	Wiring with Plug		1PC				
N7	Clip with screw		7SETS				

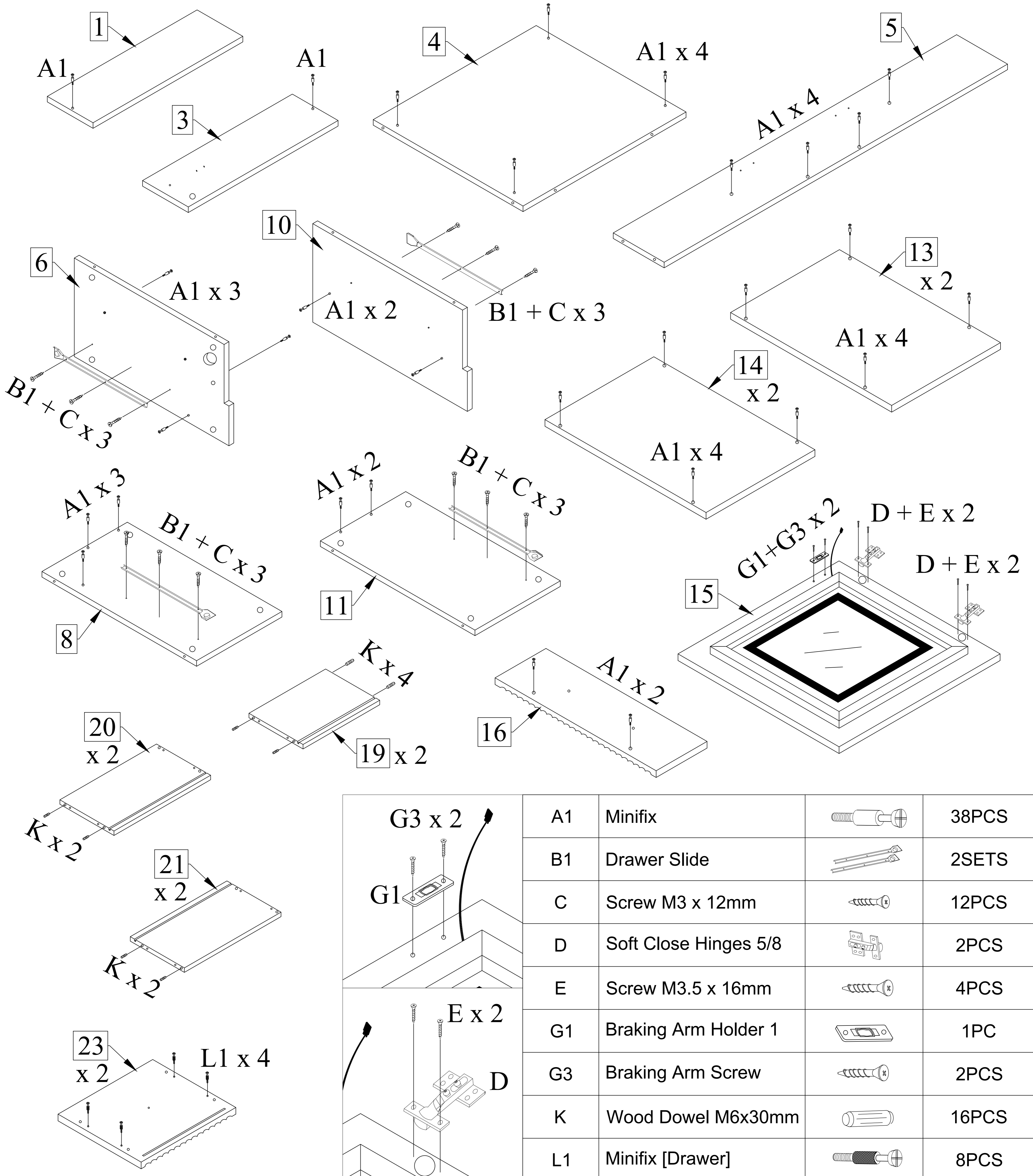
# ASSEMBLY INSTRUCTIONS

## Item No : WF305842AAA/AAE

### Description : VANITY TABLE

Thank you for purchasing this quality product. Be sure to check all packing material carefully for small part that may have come loose inside carton during shipment.

Step 1 : Attach Minifix (A1) to parts (1,3,4,5,6,8,10,11,13,14,16) accordingly. Attach Drawer Slides (B1) to Side Panels (6,8,10,11) using screw (C). Attach Hinges (D) to Top Panel (15) with screw (E). Attach Braking Arm Holder (G1) to Top Panel (15) using screw (G3). Attach Wood Dowel and Minifix [Drawer] (K,L1) to drawer box (19,20,21,23) accordingly.  
 \*Parts 6,8,10,11 have no pre-drill for middle section of drawer slide, you may drill into any hole on hardware itself to tighten it.  
 \*Part 15 has no pre-drill for screw E, put the Hinges D into the big hole, adjust it to tally horizontal line and screw it in.



	A1	Minifix		38PCS
	B1	Drawer Slide		2SETS
	C	Screw M3 x 12mm		12PCS
	D	Soft Close Hinges 5/8		2PCS
	E	Screw M3.5 x 16mm		4PCS
	G1	Braking Arm Holder 1		1PC
	G3	Braking Arm Screw		2PCS
	K	Wood Dowel M6x30mm		16PCS
	L1	Minifix [Drawer]		8PCS

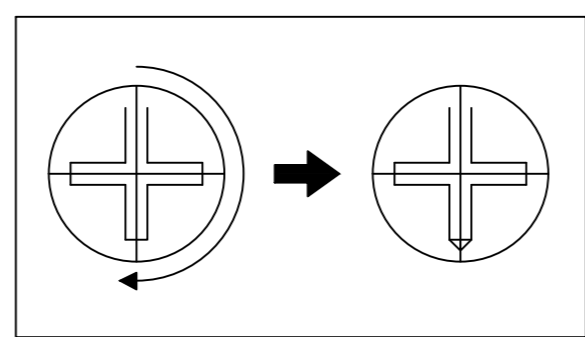
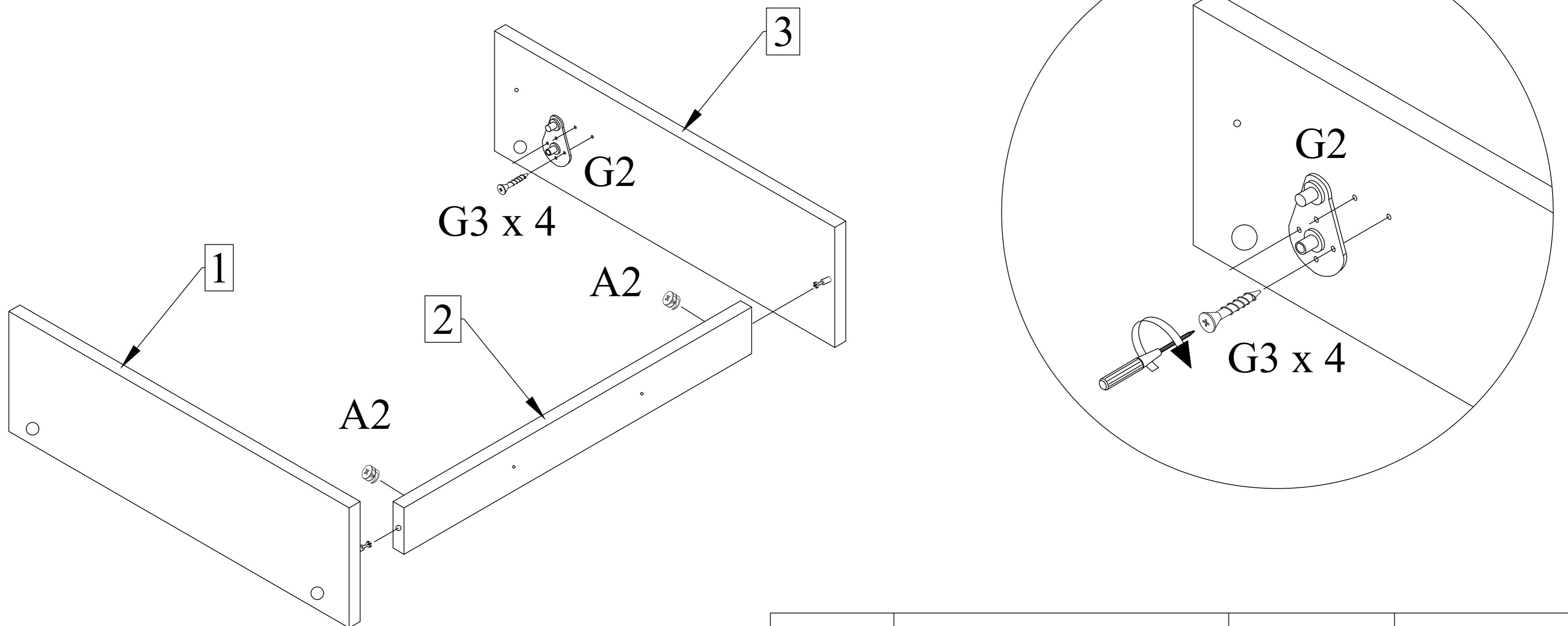
# ASSEMBLY INSTRUCTIONS

## Item No : WF305842AAA/AAE

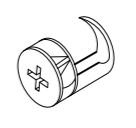
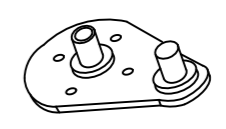
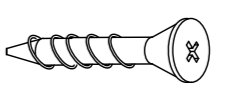
### Description : VANITY TABLE

Thank you for purchasing this quality product. Be sure to check all packing material carefully for small part that may have come loose inside carton during shipment.

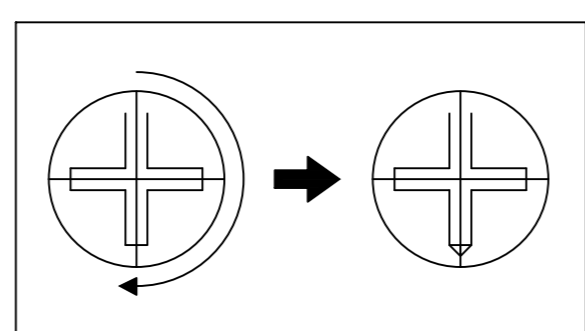
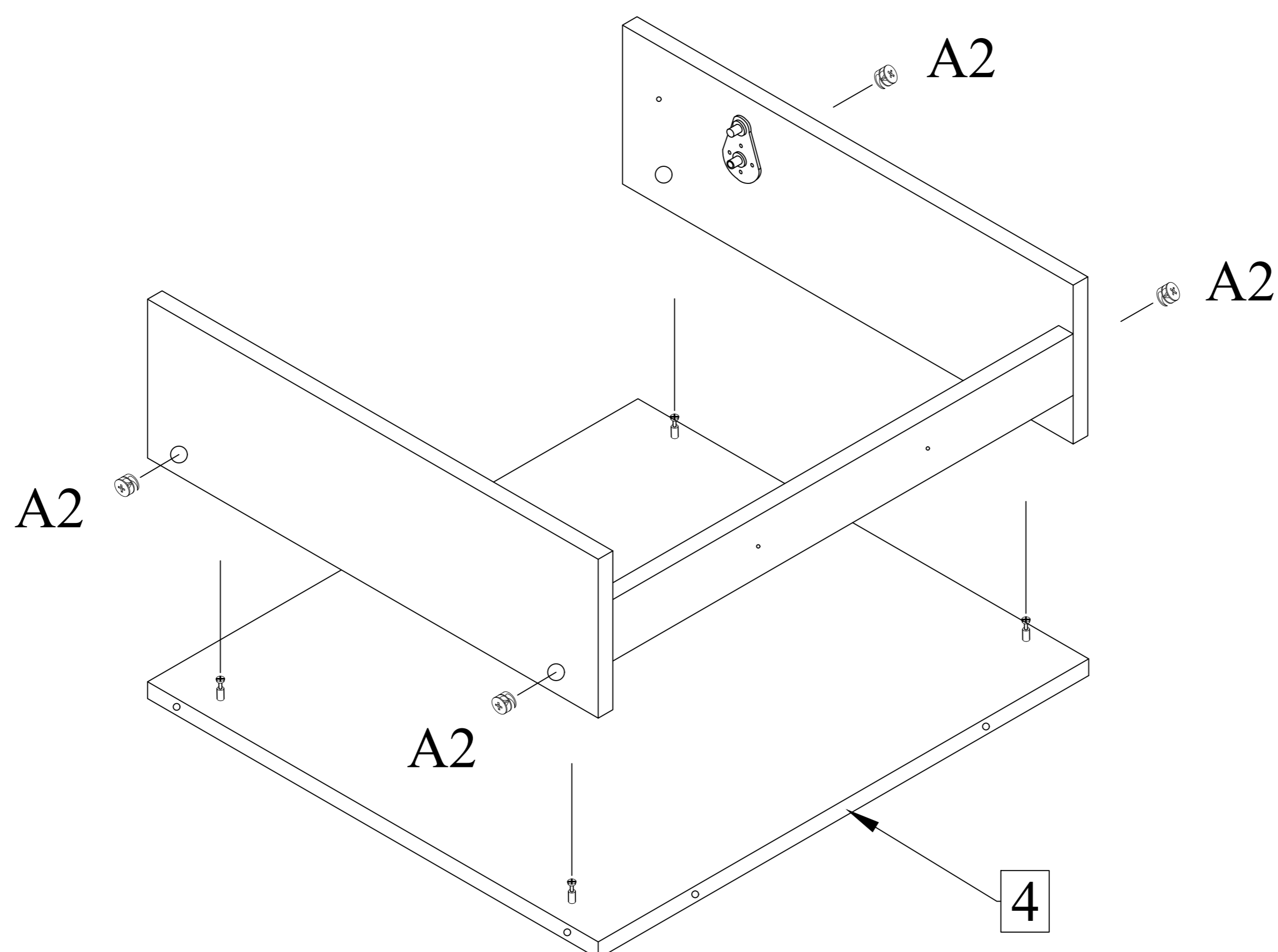
Step 2 : Connect Middle Parts (1,2,3) together and lock Minifix Cap (A2). Attach Braking Arm Holder 2 (G2) to Right Panel (3) using screw (G3).



Lock Minifix cap clockwise

A2	Minifix Cap		2PCS
G2	Braking Arm Holder 2		1PC
G3	Braking Arm Screw		4PCS

Step 3 : Attach M - bottom panel (4) to the connected parts and lock Minifix Cap (A2).



Lock Minifix cap clockwise

A2	Minifix Cap		4PCS
----	-------------	---	------

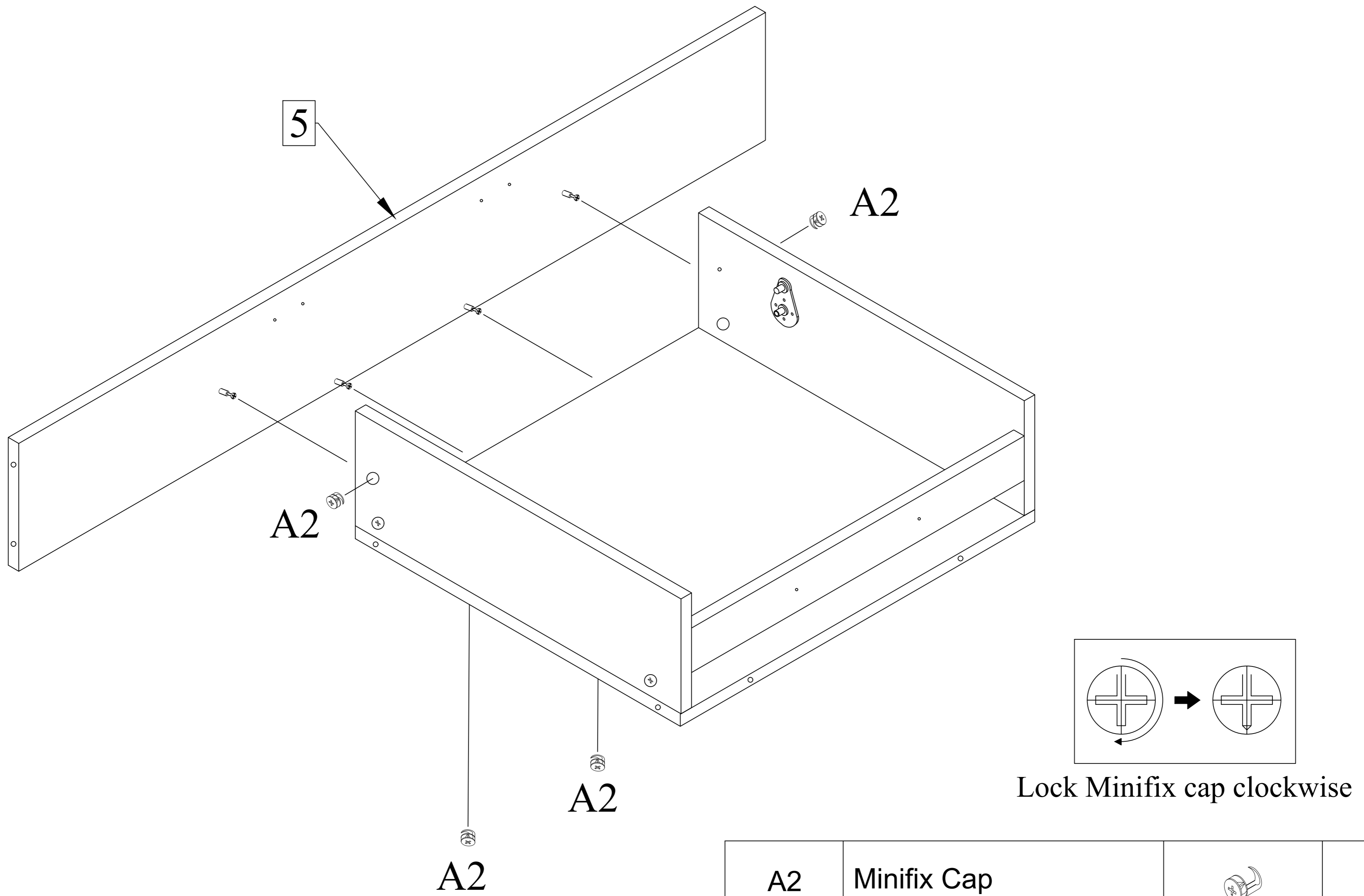
# ASSEMBLY INSTRUCTIONS

## Item No : WF305842AAA/AAE

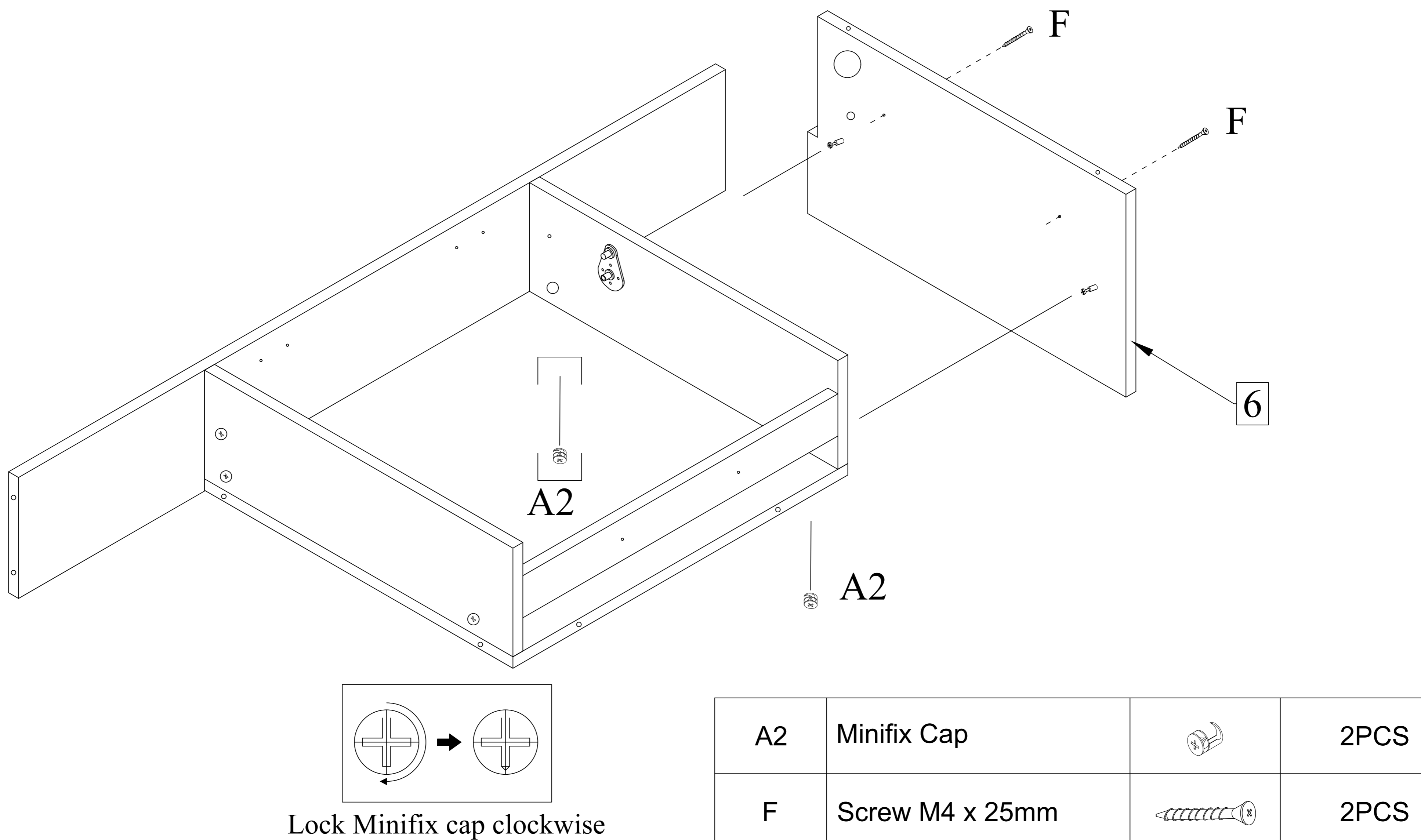
### Description : VANITY TABLE

Thank you for purchasing this quality product. Be sure to check all packing material carefully for small part that may have come loose inside carton during shipment.

Step 4 : Connect Back Rail (5) and lock Minifix Cap (A2) from bottom.



Step 5 : Bring [Right Part's] Left Panel (6) in and lock Minifix Cap (A2) from bottom. Tighten the connection with screw (F).




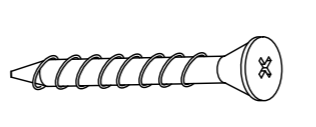
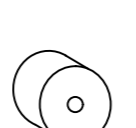
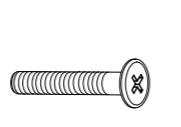
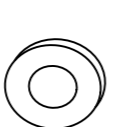
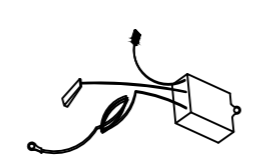
# ASSEMBLY INSTRUCTIONS

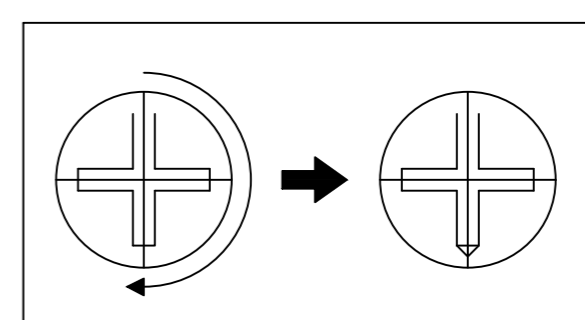
## Item No : WF305842AAA/AAE

### Description : VANITY TABLE


Thank you for purchasing this quality product. Be sure to check all packing material carefully for small part that may have come loose inside carton during shipment.

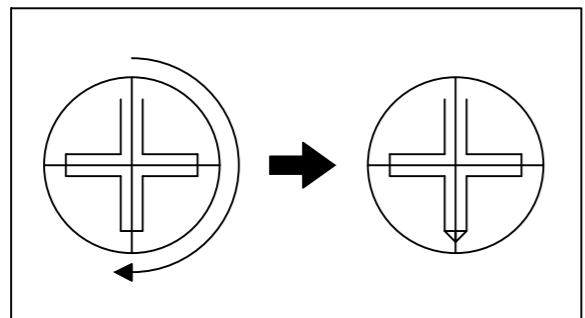
**Step 6 :** Connect R- Support Rail (7) and lock Minifix Cap (A2). Connect [Left Part's] Right Panel (10) and lock Minifix Cap (A2) from bottom. Tighten it with screw (F). Bring in Transit Box (N4). There are 3 wires on it: the longest wire is with a clip [Marking T]. Put screw and washer (N2)(N3) through the clip and holes on parts (3,6) and lock to switch button (N1). Make the middle wire of transit box [Marking OUT] through the hole as shown.

A2	Minifix Cap		3PCS
F	Screw M4 x 25mm		2PCS
N1	Touch Switch Button		1PC
N2	Touch Switch Screw		1PC
N3	Touch Switch Washer		1PC
N4	Transit Box		1PC

  
Lock Minifix cap clockwise

**Step 7 :** Connect [Right Part's] Right Panel (8) to Back Rail (5) and Support Rail (7) and lock Minifix Cap (A2). Connect [Left Part's] Left Panel (11) to Back Rail (5) and lock Minifix Cap (A2).

A2	Minifix Cap		5PCS
----	-------------	---	------

  
Lock Minifix cap clockwise

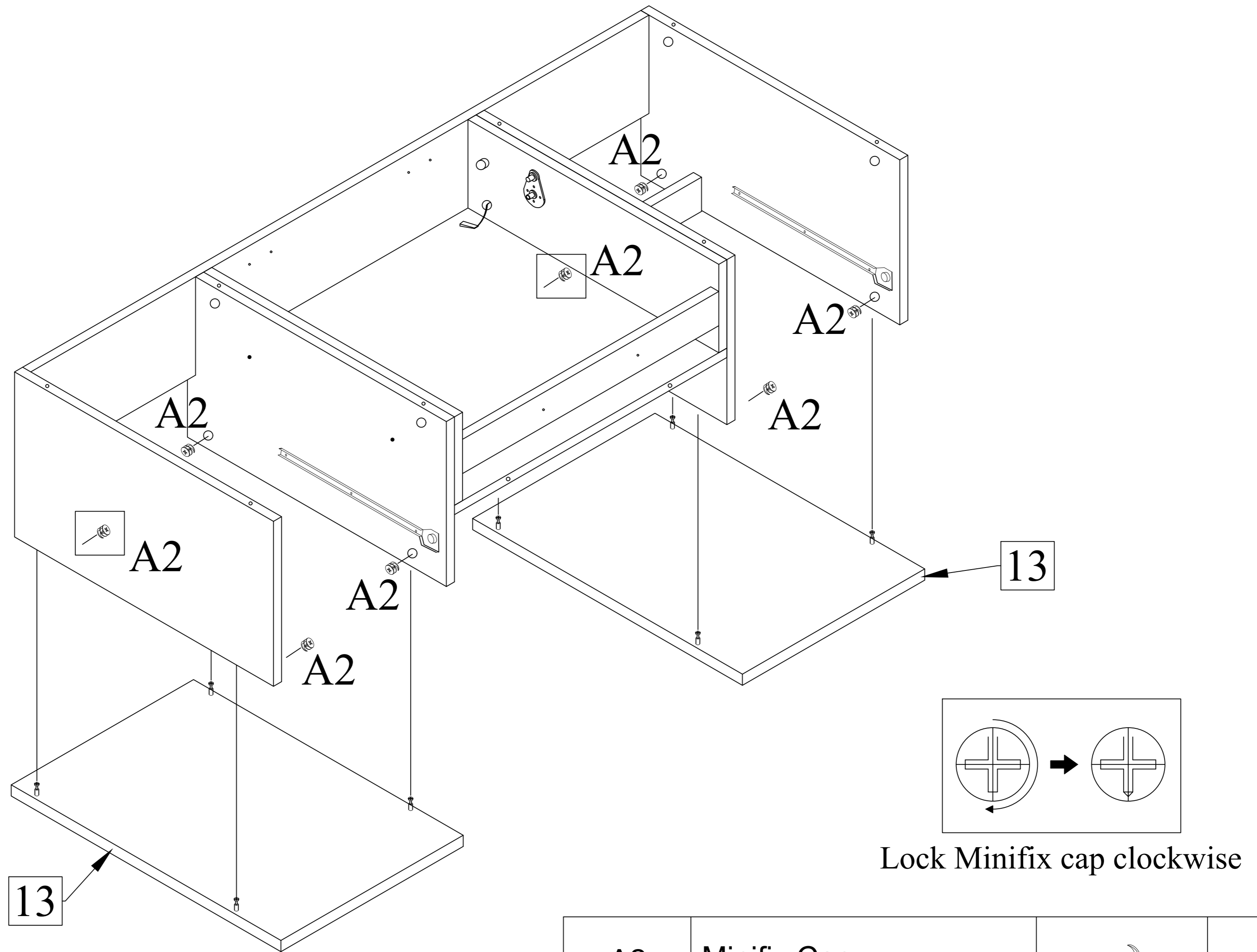
# ASSEMBLY INSTRUCTIONS

## Item No : WF305842AAA/AAE

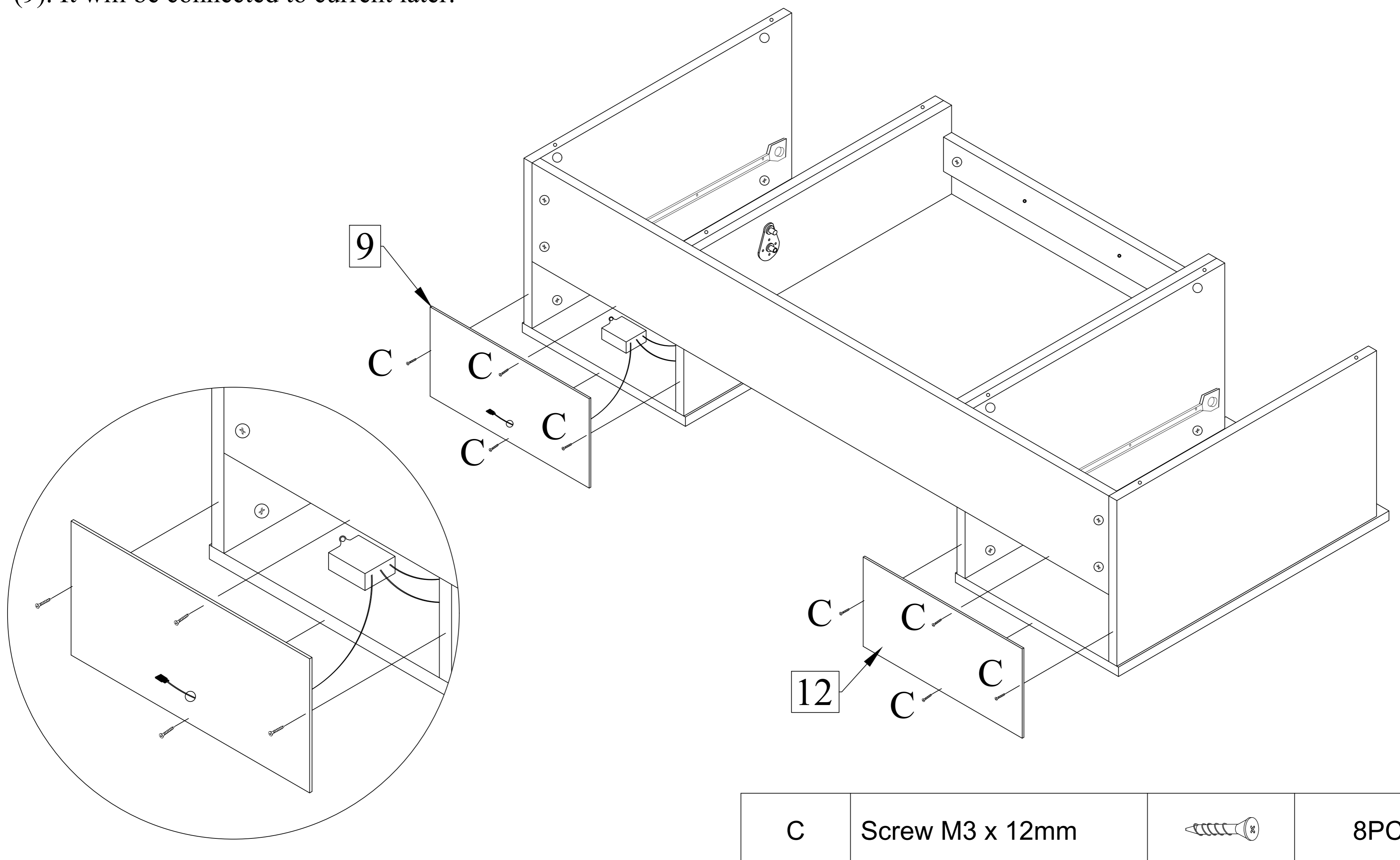
### Description : VANITY TABLE

Thank you for purchasing this quality product. Be sure to check all packing material carefully for small part that may have come loose inside carton during shipment.

Step 8 : Attach Bottom Panels (13) to the connected parts and lock Minifix Cap (A2).



Step 9 : Attach Back Panels (9,12) using screw (C). Make the remaining wire of (N4) [Marking IN] out from the hole of panel (9). It will be connected to current later.





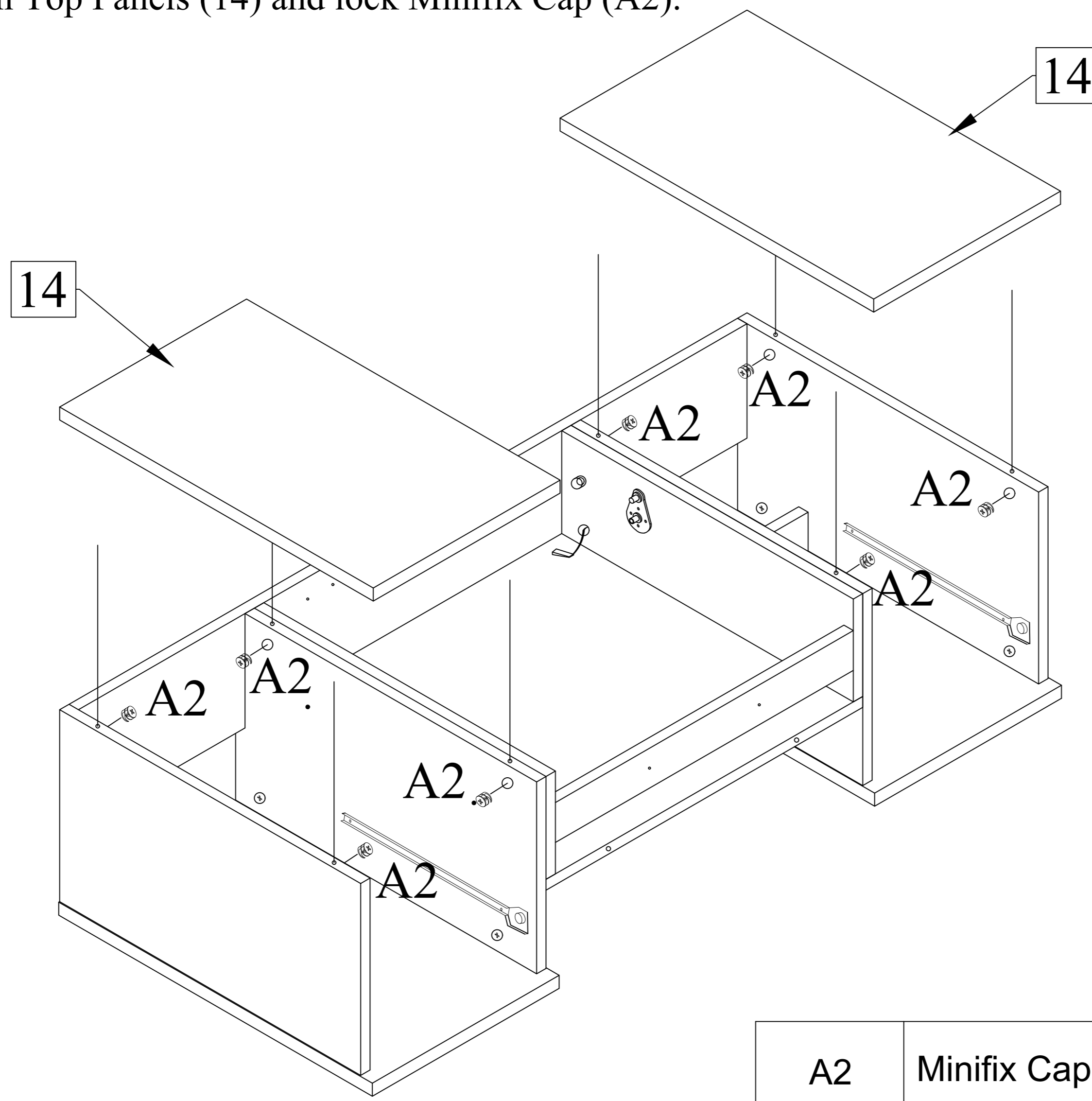
# ASSEMBLY INSTRUCTIONS

## Item No : WF305842AAA/AAE

### Description : VANITY TABLE

Thank you for purchasing this quality product. Be sure to check all packing material carefully for small part that may have come loose inside carton during shipment.

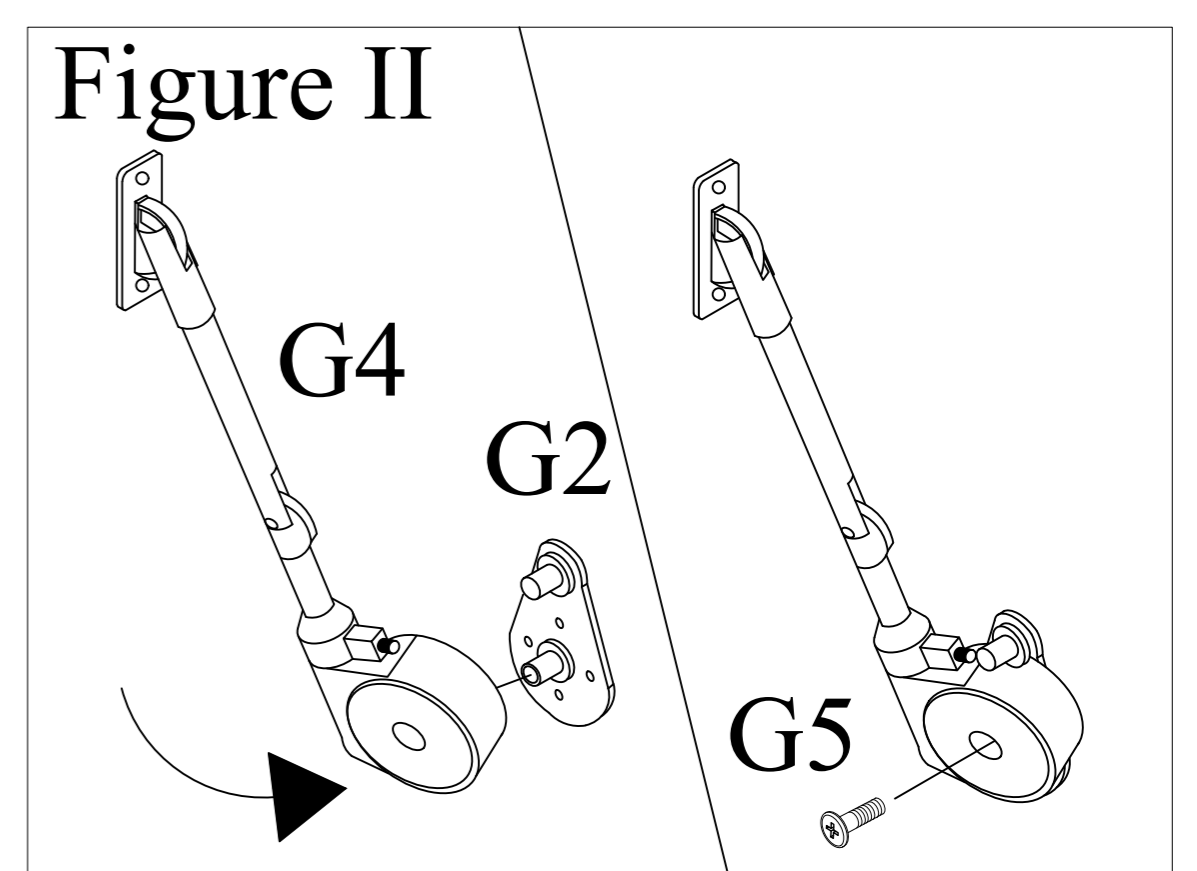
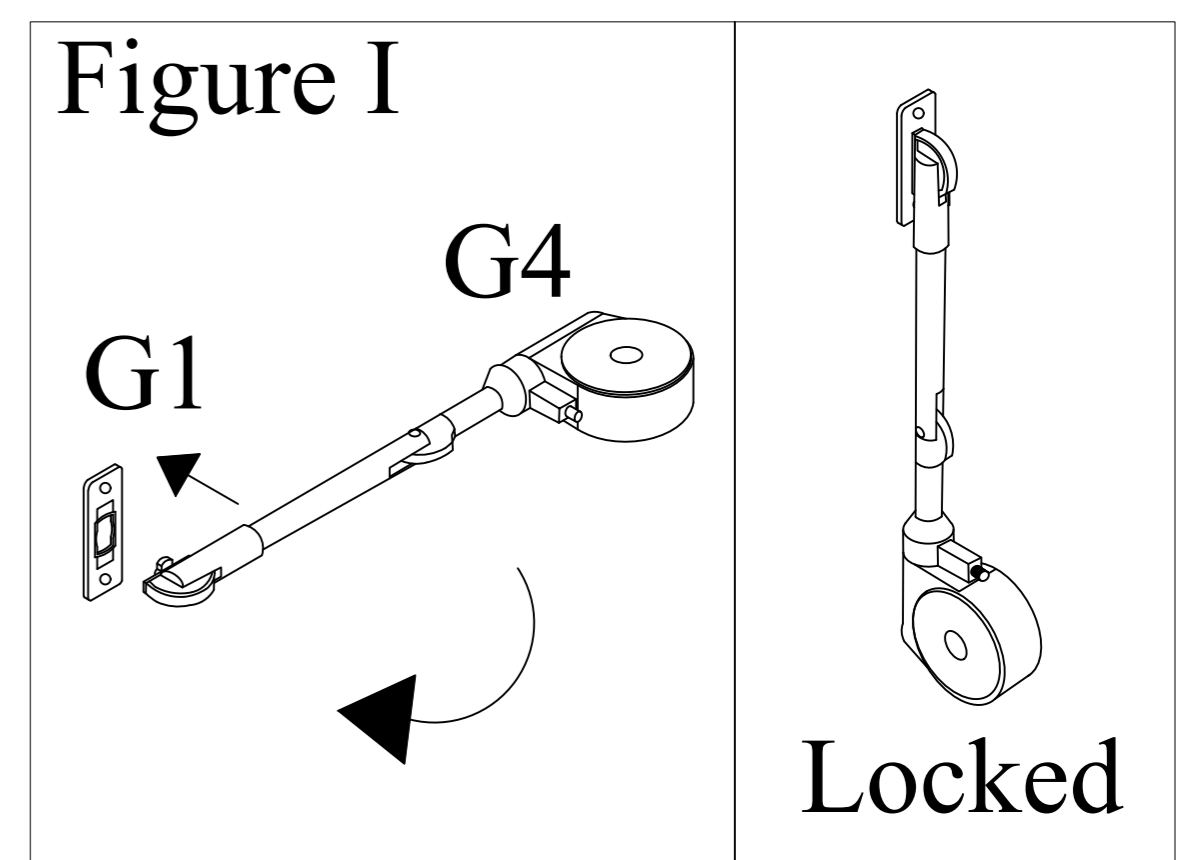
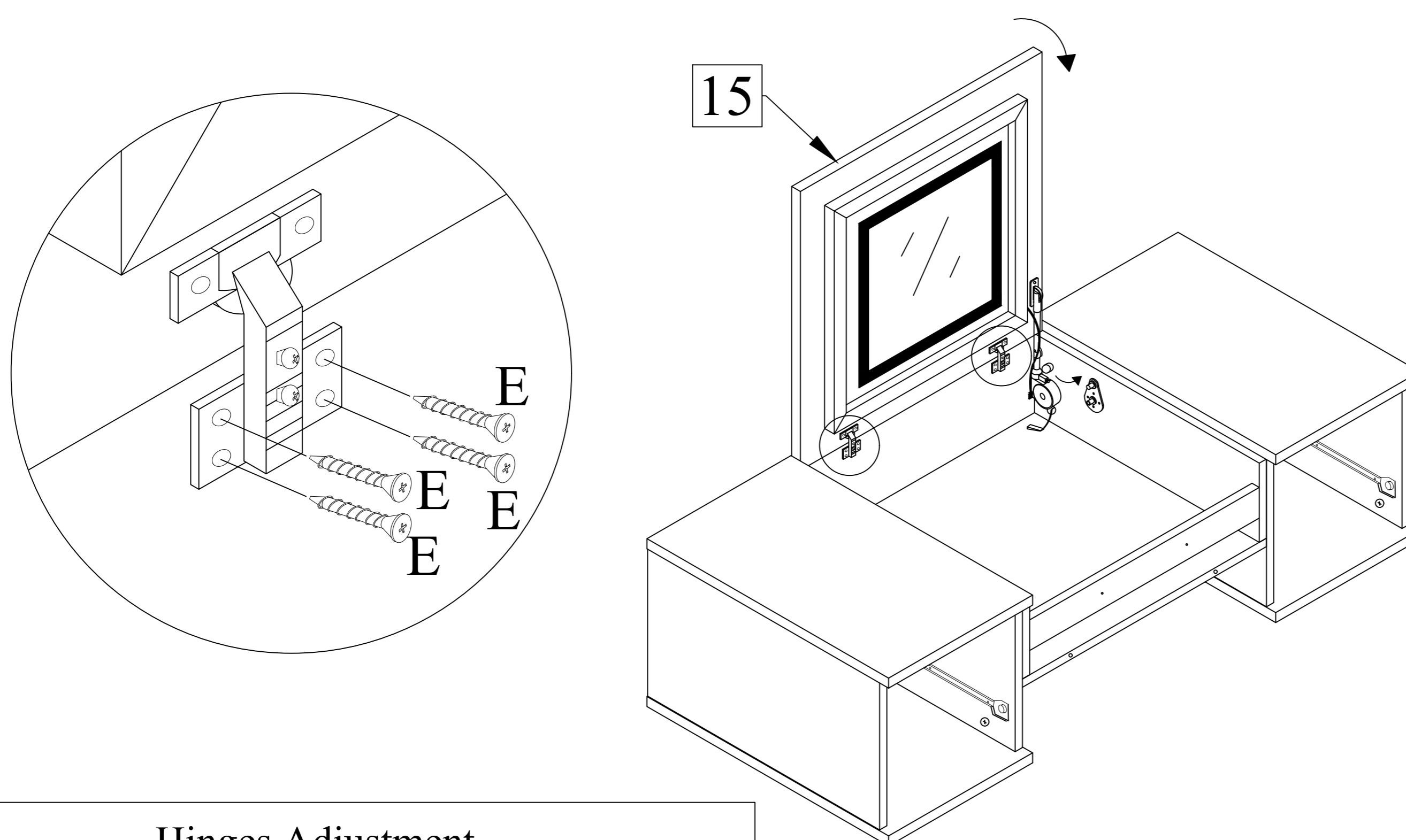
Step 10 : Attach Top Panels (14) and lock Minifix Cap (A2).



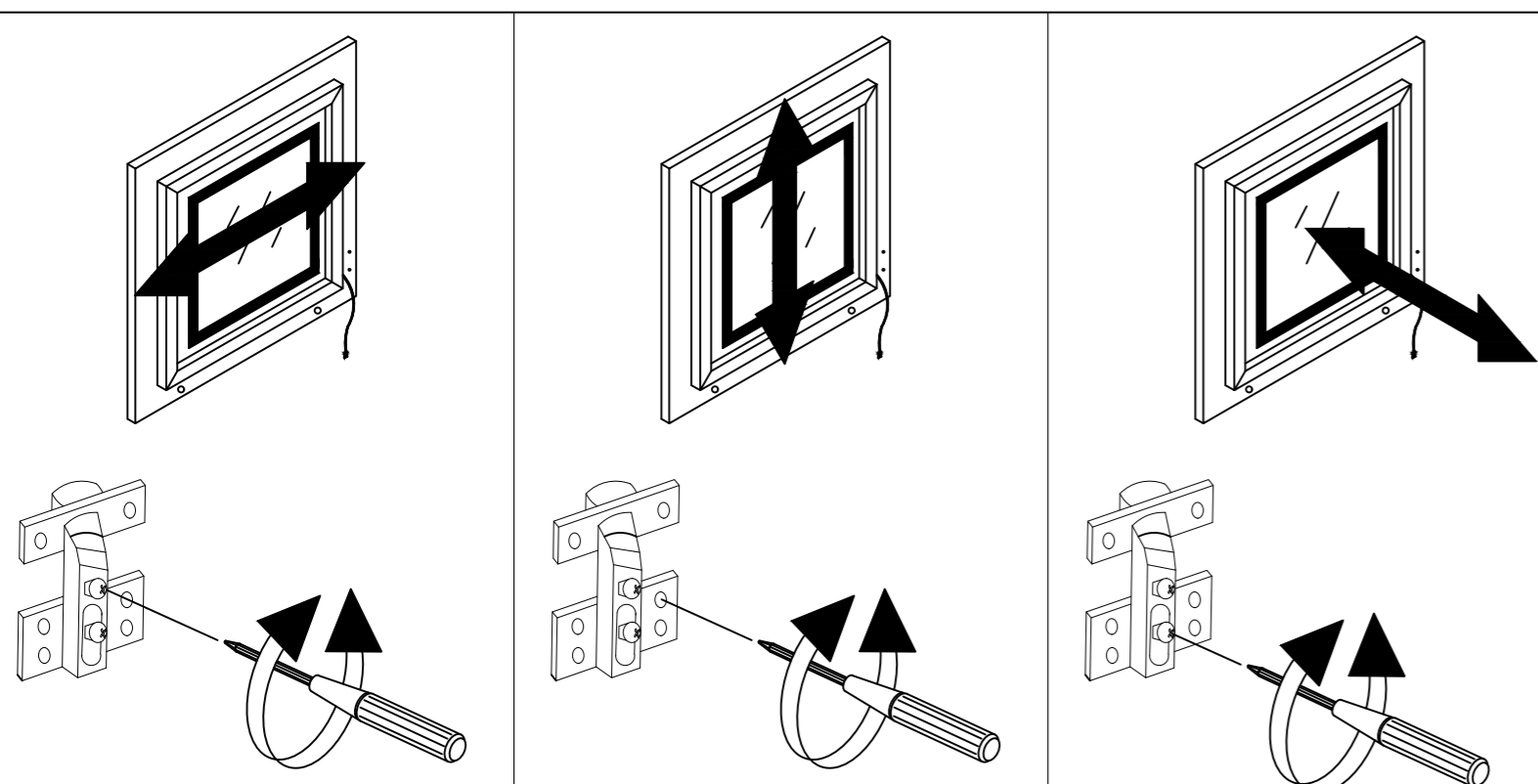
Lock Minifix cap clockwise

A2	Minifix Cap		8PCS
----	-------------	--	------

Step 11 : Slot in Braking Arm (G4) to Holder 1 (G1) on Top Panel (15) as figure I below. [Slot in horizontally and twist to lock it vertically]. Then, attach Top Panel (15) to the body using screw (E). Now move Braking Arm (G4) to Holder 2 (G2) and lock with Nut (G5) as figure II below. **\*It would be easier to move Top Panel (15) to reach (G4) to (G2) and slot it in\***



#### Hinges Adjustment



E	Screw M3.5 x 16mm		8PCS
G4	Braking Arm		1PC
G5	Braking Arm Nut		1PC

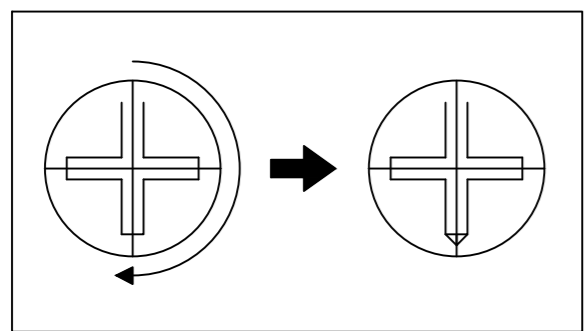
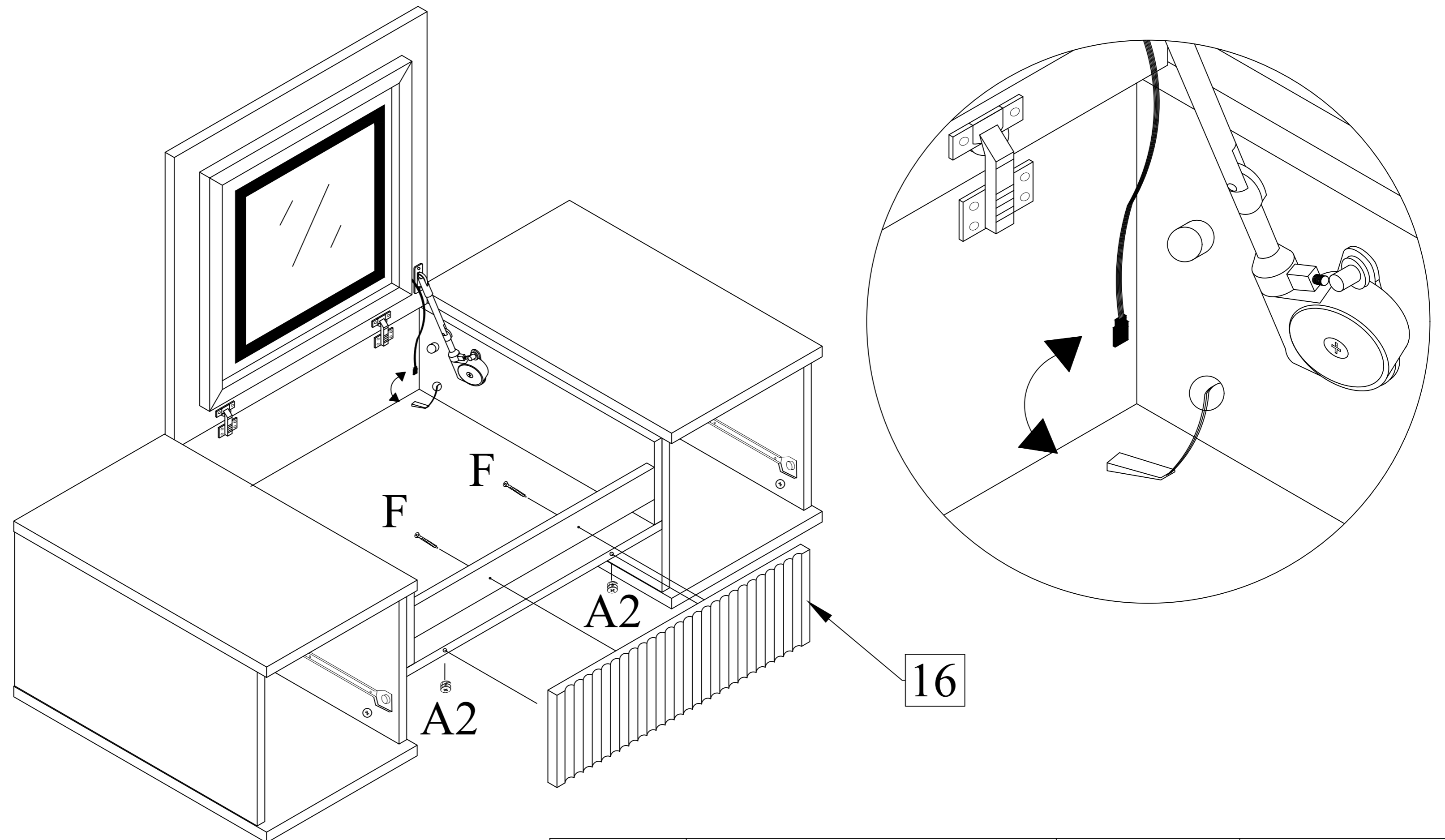
# ASSEMBLY INSTRUCTIONS

## Item No : WF305842AAA/AAE

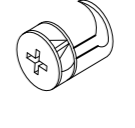
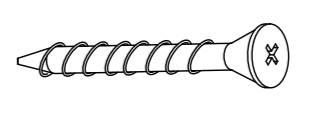
### Description : VANITY TABLE

Thank you for purchasing this quality product. Be sure to check all packing material carefully for small part that may have come loose inside carton during shipment.

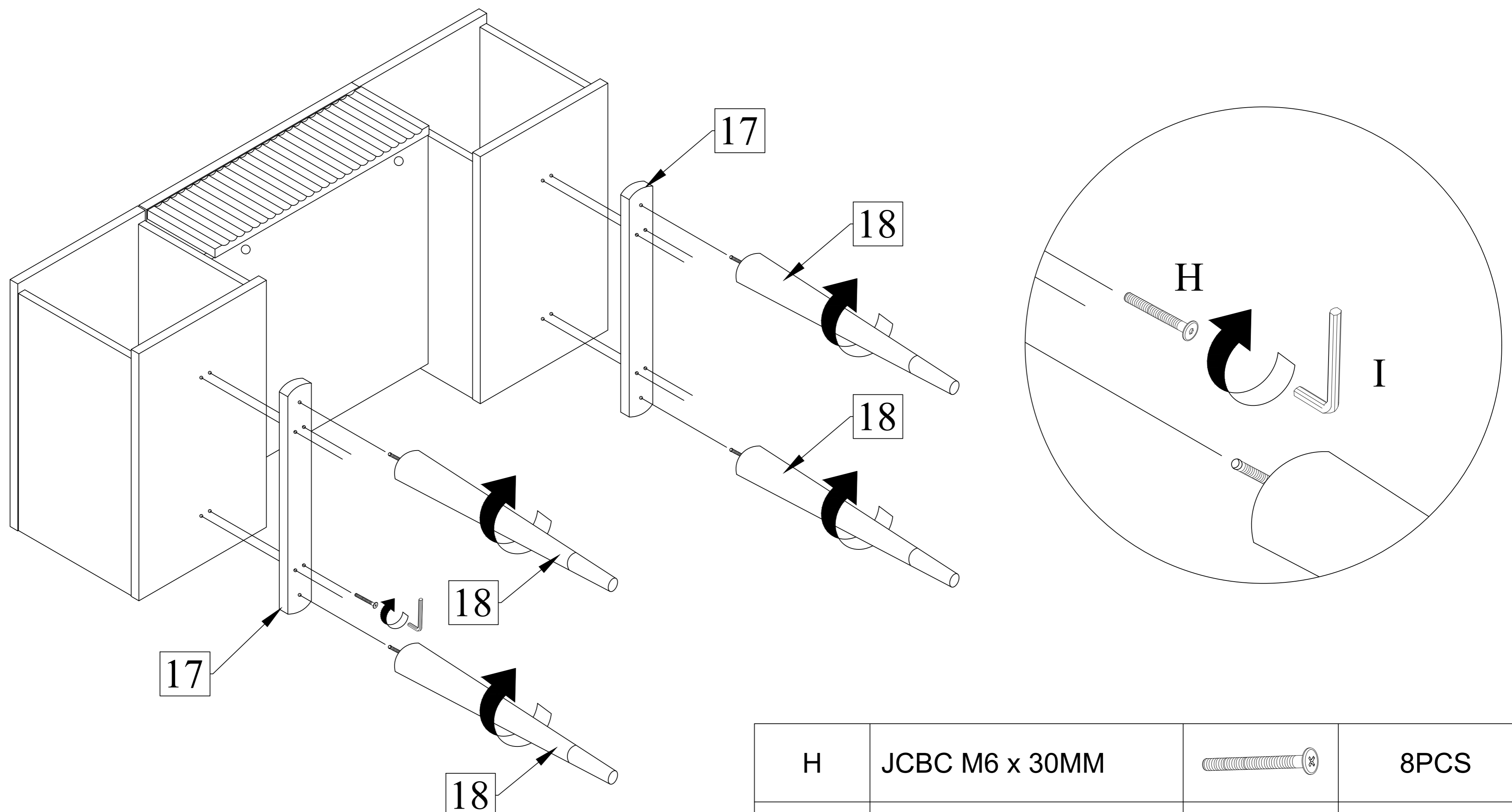
Step 12 : Connect Front Panel (16) to the assembled parts and lock Minifix Cap (A2) from bottom. Tighten the connection with screw (F). Now, you can connect the wire from transit box (N4) to LED wiring behind the mirror as shown.

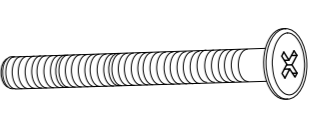
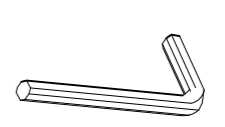


Lock Minifix cap clockwise

A2	Minifix Cap		2PCS
F	Screw M4 x 25mm		2PCS

Step 13 : Turn the table up. Attach Leg Support Rails (17) to bottom panels with JCBC (H) using Allen Key (I). Then, twist the Legs (18) in.



H	JCBC M6 x 30MM		8PCS
I	Allen Key M4		1PC

# ASSEMBLY INSTRUCTIONS

## Item No : WF305842AAA/AAE

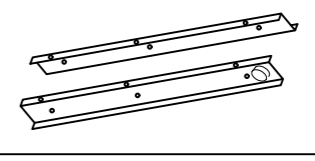
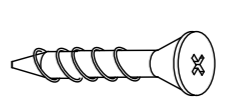

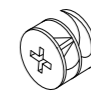
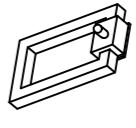
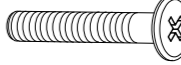
### Description : VANITY TABLE

Thank you for purchasing this quality product. Be sure to check all packing material carefully for small part that may have come loose inside carton during shipment.

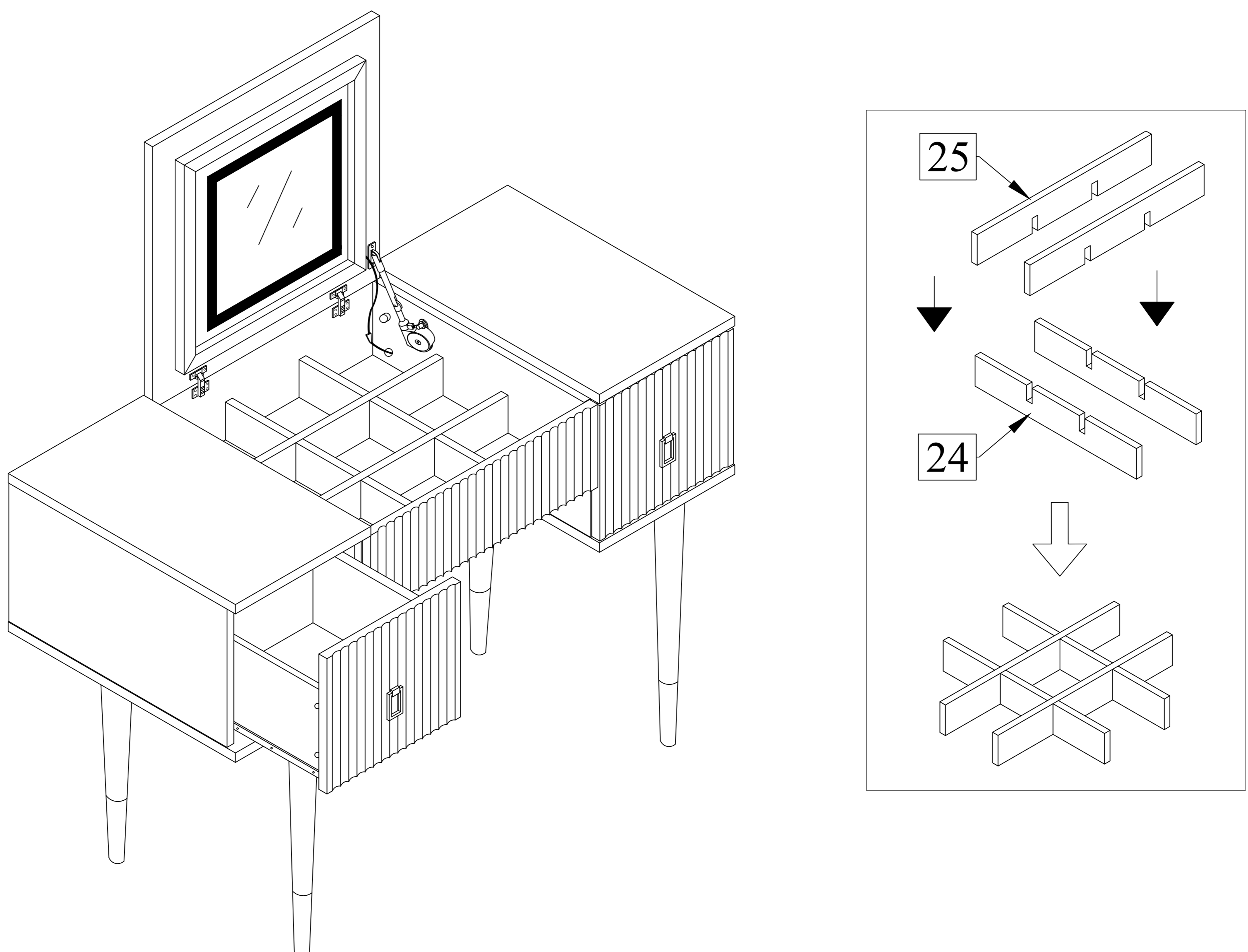
#### Step 14 : Drawer assembly.

First connect Drawer Back (19) to Drawer Side -L (20) and Drawer Side - R (21) with screw (J). Next, slot in the Drawer Base (22). Attach the Drawer Front (23) to the drawer box and lock Minifix Cap (L2). Attach Handle(M1) onto it with Handle Screw (M2). Finally, install Drawer Slide (B2) to drawer box using screw (C).

#### Drawer assembly x 2

B2	Drawer Slide		2Sets
C	Screw M3 x 12mm		12PCS
J	Screw M4 x 32mm		8PCS
L2	Minifix Cap [Drawer]		8PCS
M1	Handle		2PCS
M2	Handle Screw		2PCS

#### Step 15 : Put in the Drawers and Dividers (24,25).



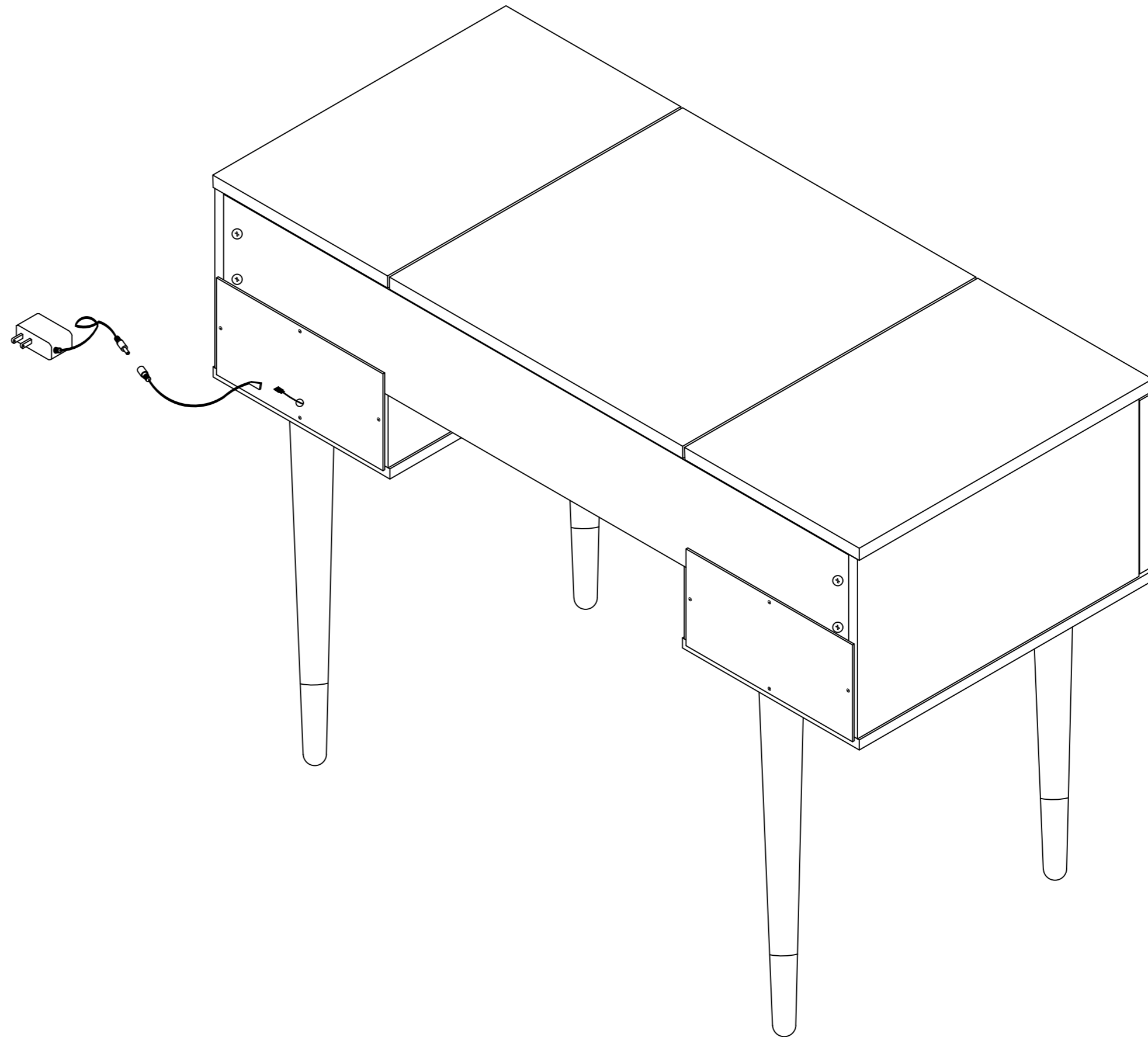
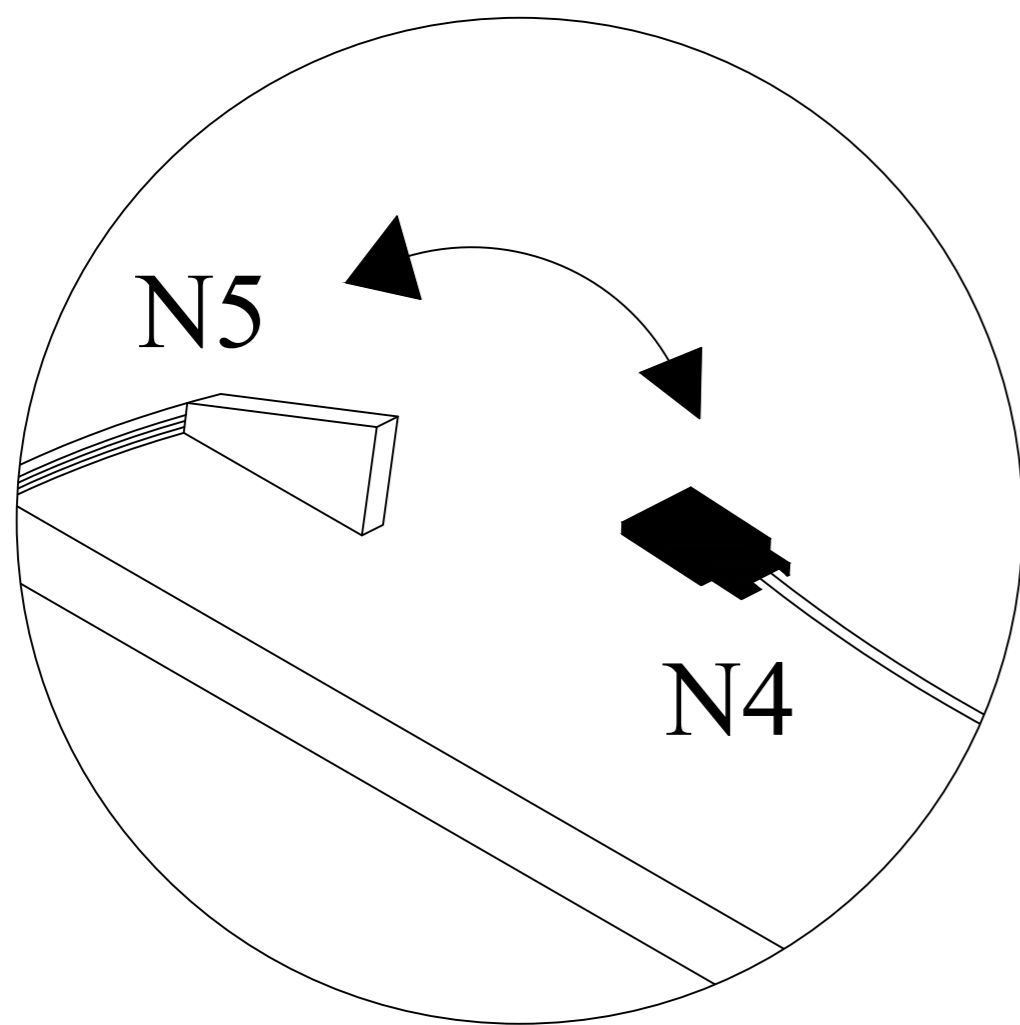
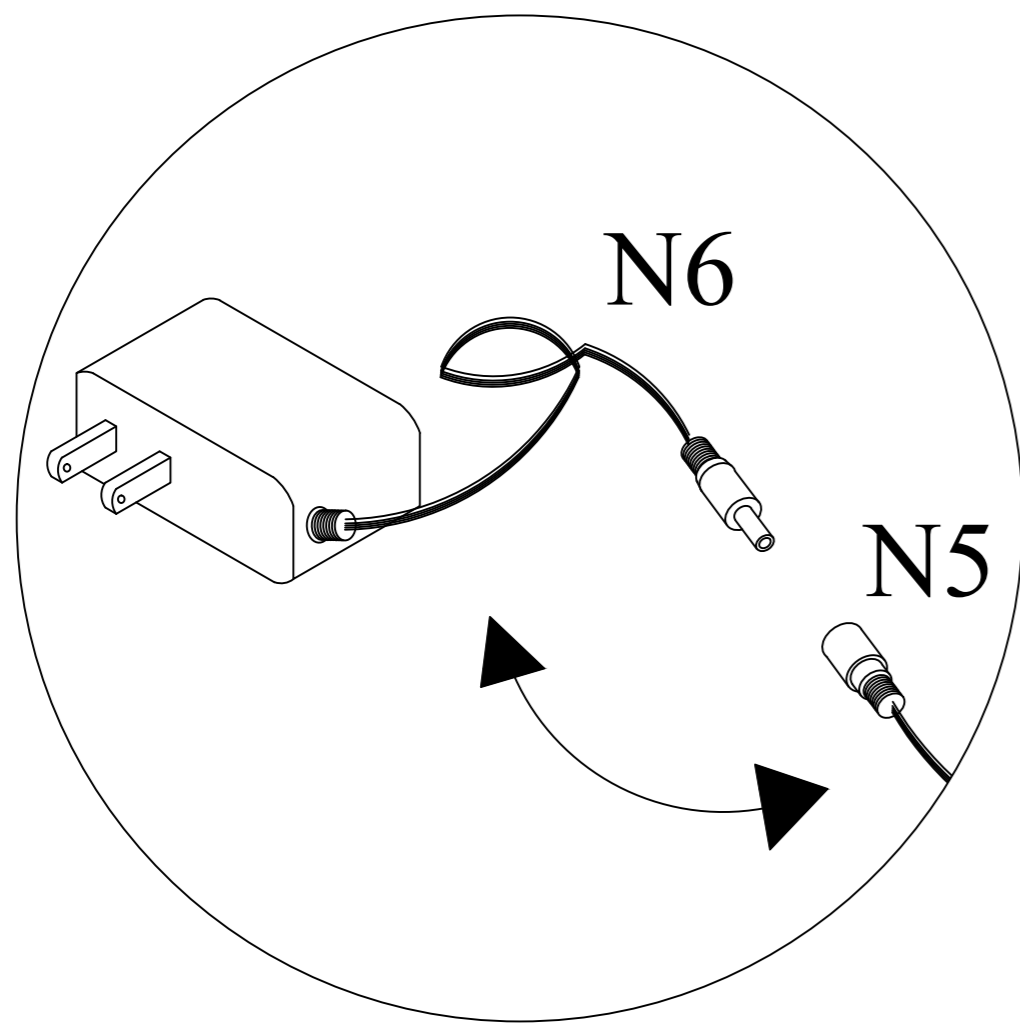
# ASSEMBLY INSTRUCTIONS


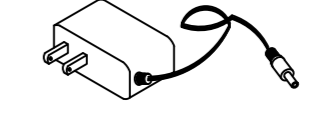
## Item No : WF305842AAA/AAE

### Description : VANITY TABLE

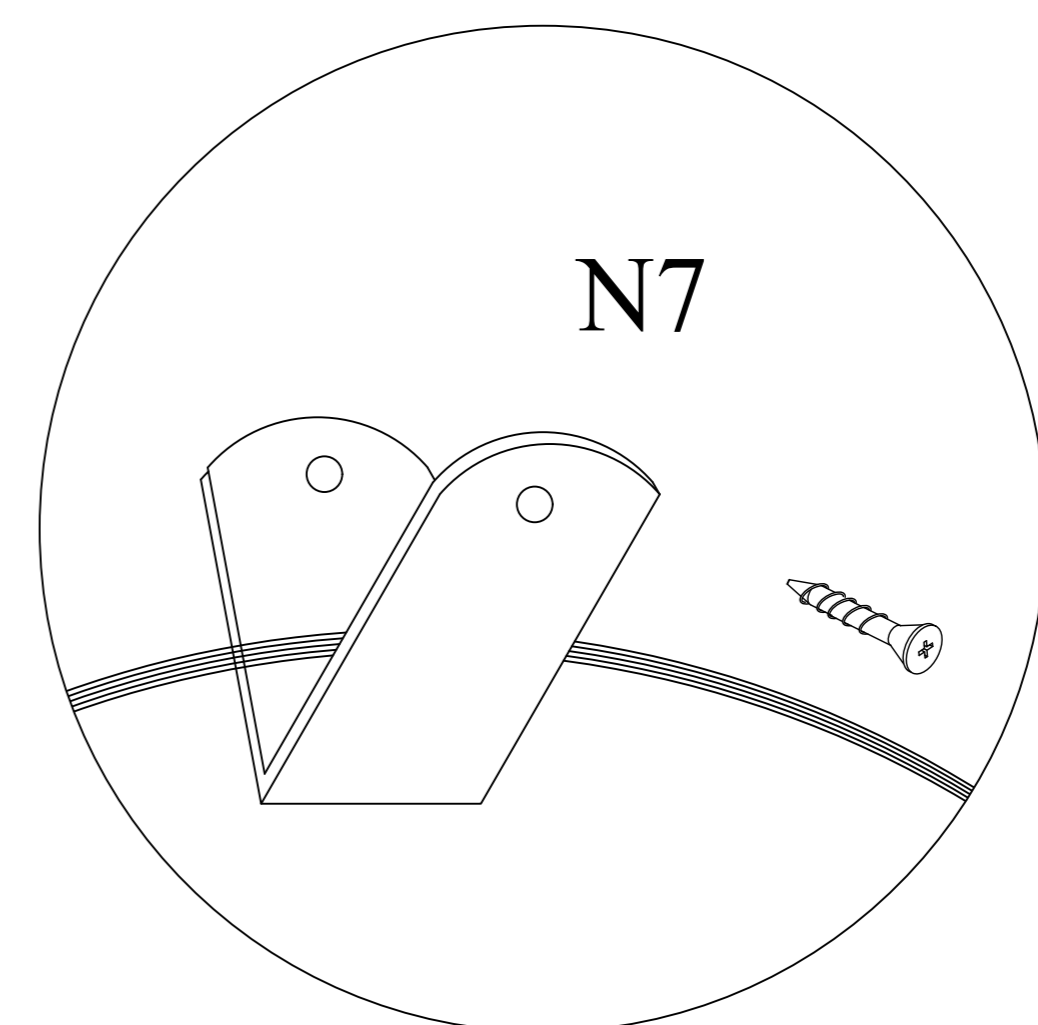
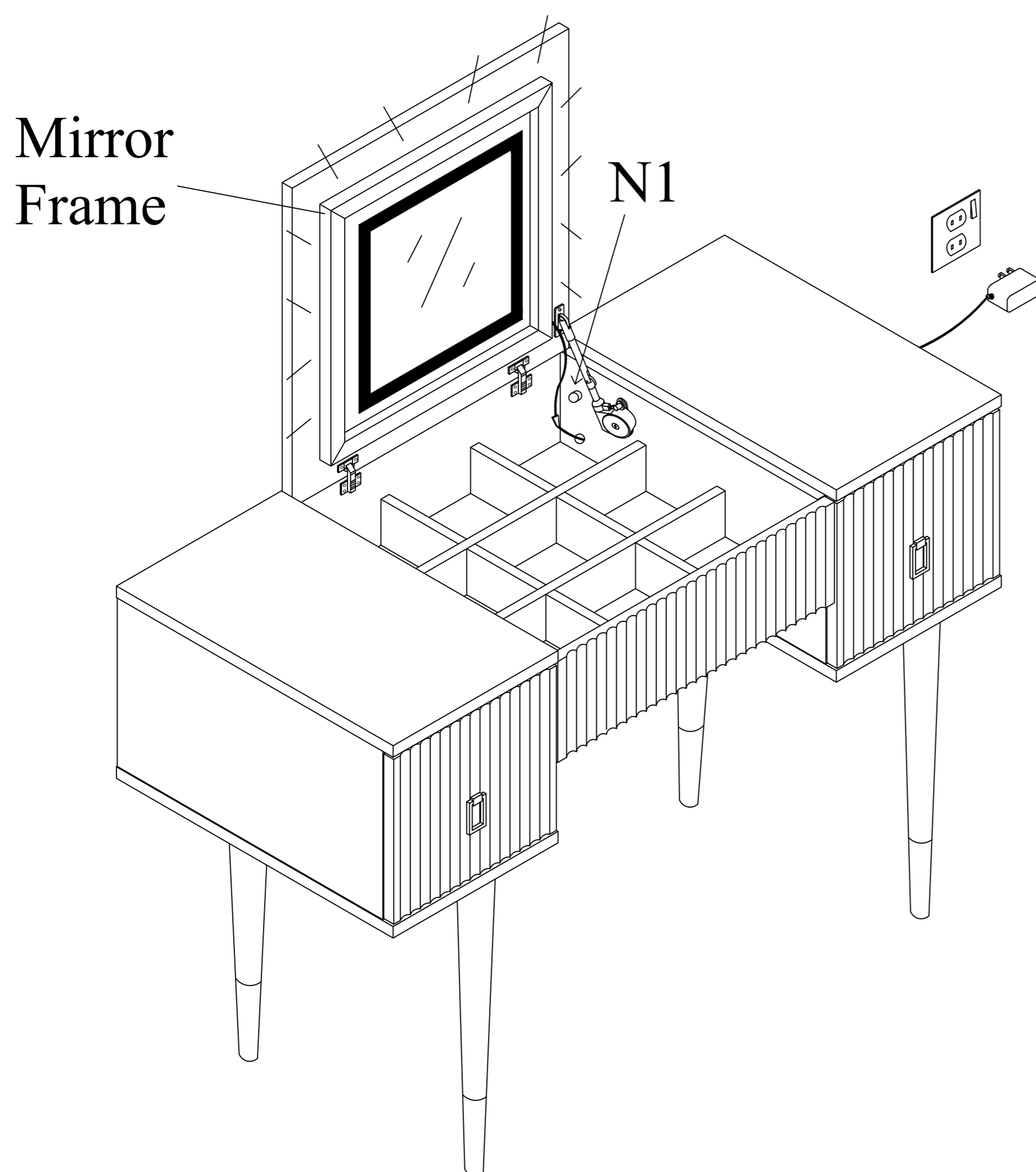
Thank you for purchasing this quality product. Be sure to check all packing material carefully for small part that may have come loose inside carton during shipment.

Step 16 : Connect the wire [Marking IN] of Transit Box (N4) which pulled out from back panel (9) in Step 9, to the extension wire (N5). Then link it to the wiring with plug (N6).



N5	Extension Wire		1PC
N6	Wiring with Plug		1PC

Step 17: Now you can plug onto socket and turn on the LED. You will need to touch the touch switch button (N1) to turn on and off the Lighting.



Clips (N7) was given in case you need to clip the wire on any part of this furniture. Apply wherever needed.

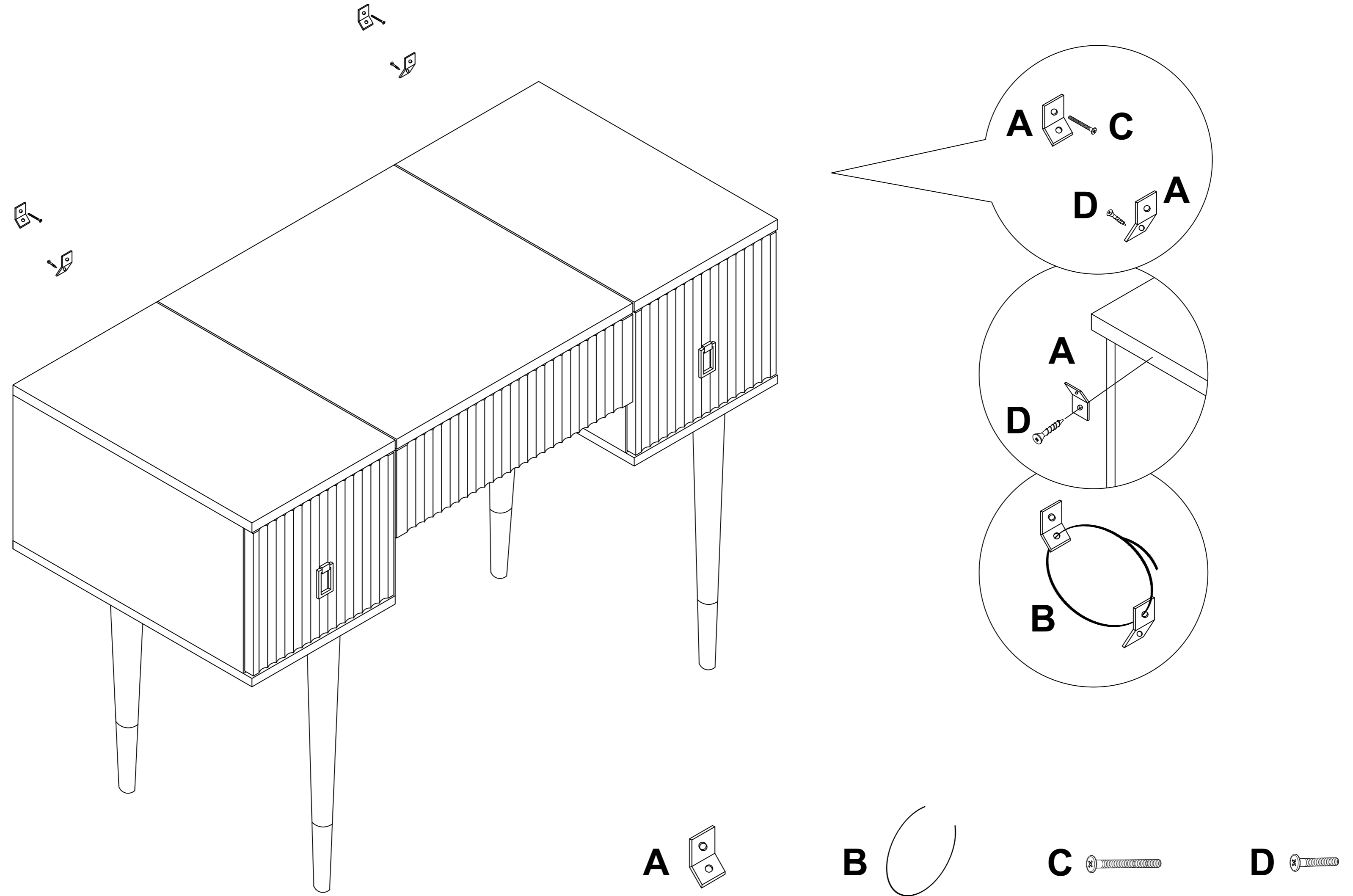
**\*In case where LED strip is not working, unscrew the mirror frame, remove and replace a new LED strip behind the mirror with silicone sealant. Make sure socket, plug, transit box and wiring are well-fuctioned before proceed to change LED strip.**

**ASSEMBLY INSTRUCTIONS**  
**Item No : WF305842AAA/AAE**  
**Description : VANITY TABLE**

Thank you for purchasing this quality product. Be sure to check all packing material carefully for small part that may have come loose inside carton during shipment.

**ANCHORING TABLE**

To anchor your table, use the anchor kit as seen in the diagram below. Choose a suitable wall fixing that matches your wall style and then fasten the strap to the wall as shown using appropriate fixings.



Completed assembly.

