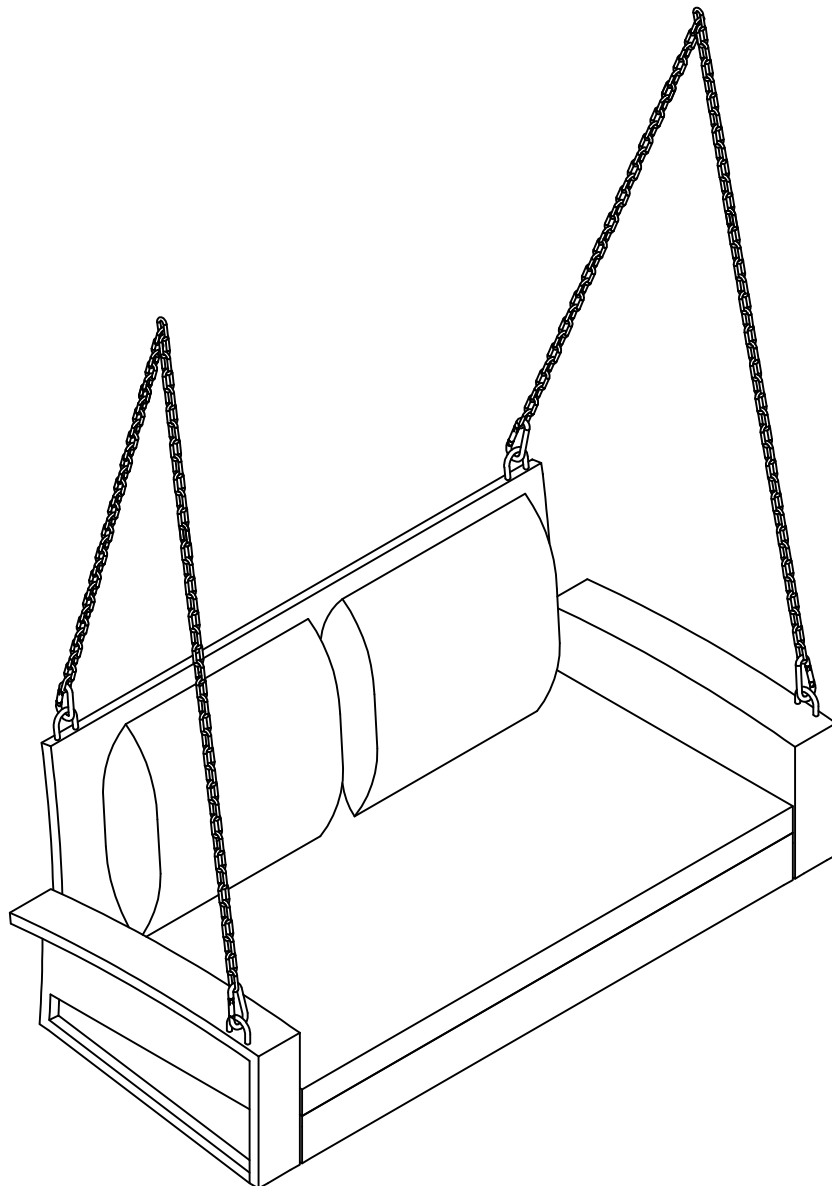


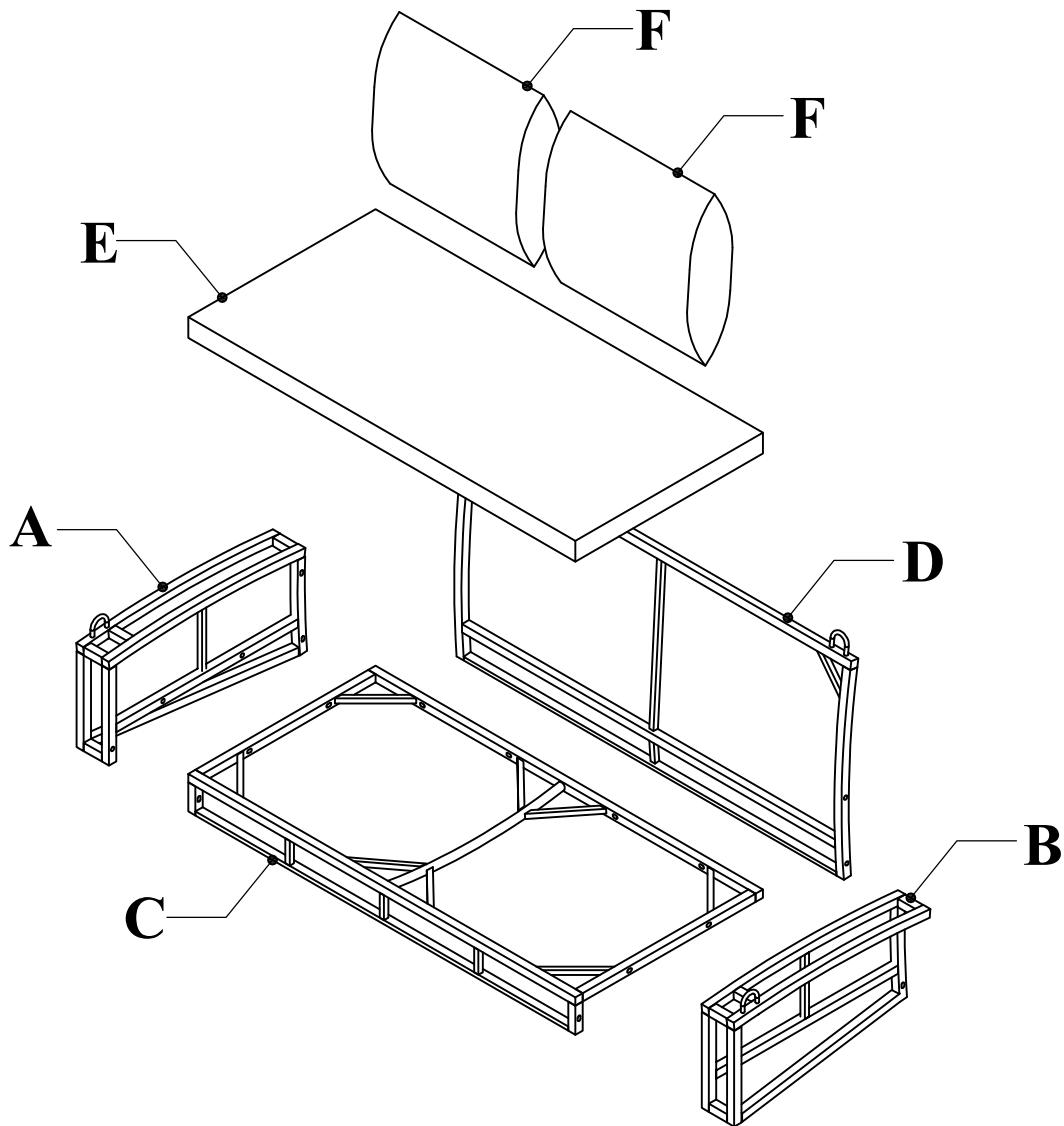
ASSEMBLY INSTRUCTIONS

RATTAN HANGING PORCH SWING



NOTE: 50% TIGHTEN BEFORE FIXING ALL BOLTS

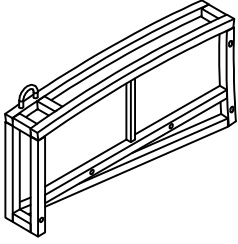
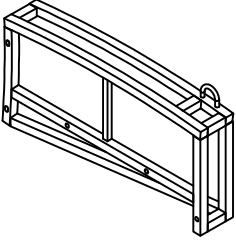
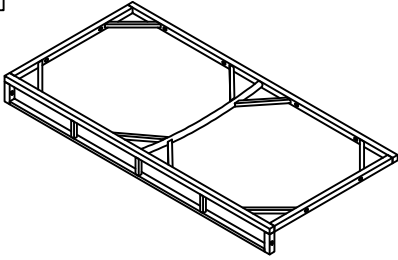
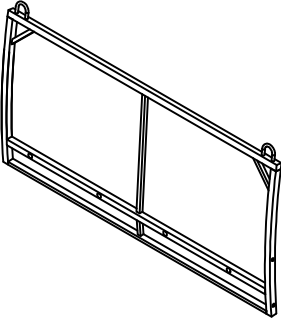
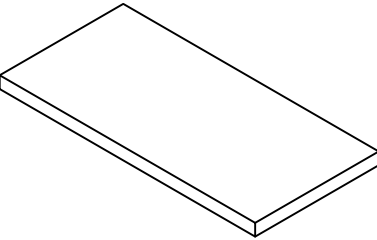
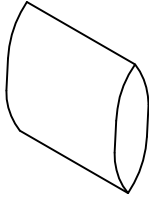
WF301718



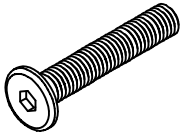
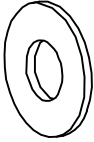
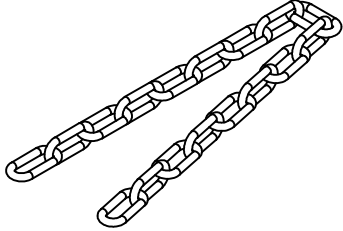
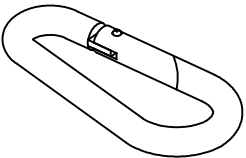
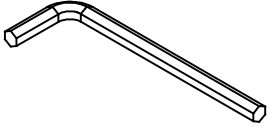
Notice:

1. 50% Tighten before fixing all screws, Allen wrench is recommended instead of an electric drill.
2. Place the item on a flat ground to adjust and make sure it remains stable.
3. Tighten up all screws with tools gradually.
4. If the screws are not aligned with holes during assembly, please loosen all the other screws to 50% and continue the assembly process.
5. If the item is not stable, please loosen all the screws, adjust it on a flat ground and tighten up all screws again.
6. Note: If one or some screws are fully tightened during assembly, chances are the others will not be aligned with holes. In addition, all the holes are designed to be relatively larger to provide more space for the adjustment of the screws .

Part List

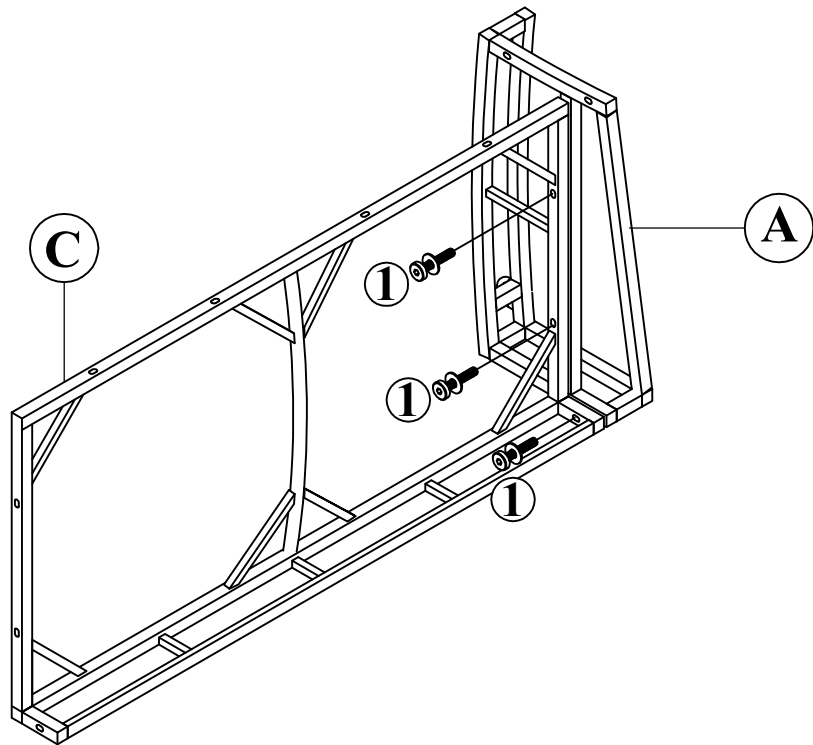
<p>A</p>  <p>Right Frame (1pc)</p>	<p>B</p>  <p>Left Frame (1pc)</p>	<p>C</p>  <p>Seat Frame (1pc)</p>
<p>D</p>  <p>Back Frame (1pc)</p>	<p>E</p>  <p>Seat Cushion (1pc)</p>	<p>F</p>  <p>Pillow (2pcs)</p>

Hardware List

<p>1</p>  <p>Bolt M6x35mm 14 pcs + extra 2 pcs</p>	<p>2</p>  <p>W6x1 Washers 14 pcs + extra 2 pcs</p>	<p>3</p>  <p>Steel chain (2pcs)</p>
<p>4</p>  <p>Safety keychain (4pcs)</p>	<p>5</p>  <p>Allen key M4 (1 pc)</p>	

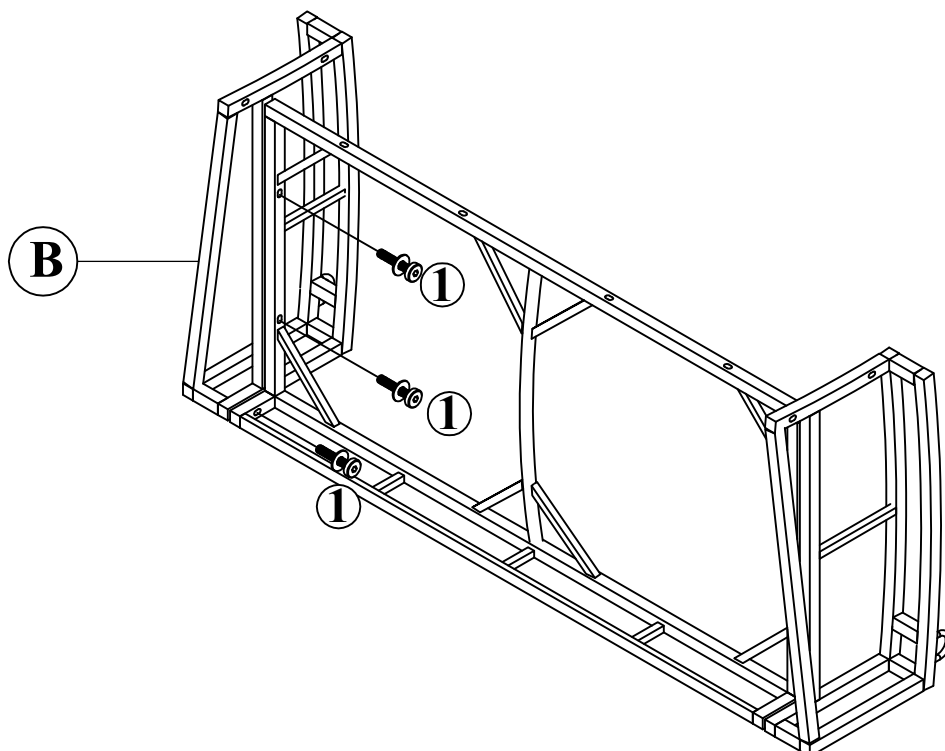
STEP 1

Connect Right frame (A), & Seat frame (C) with Bolt (1) & Washers (2)



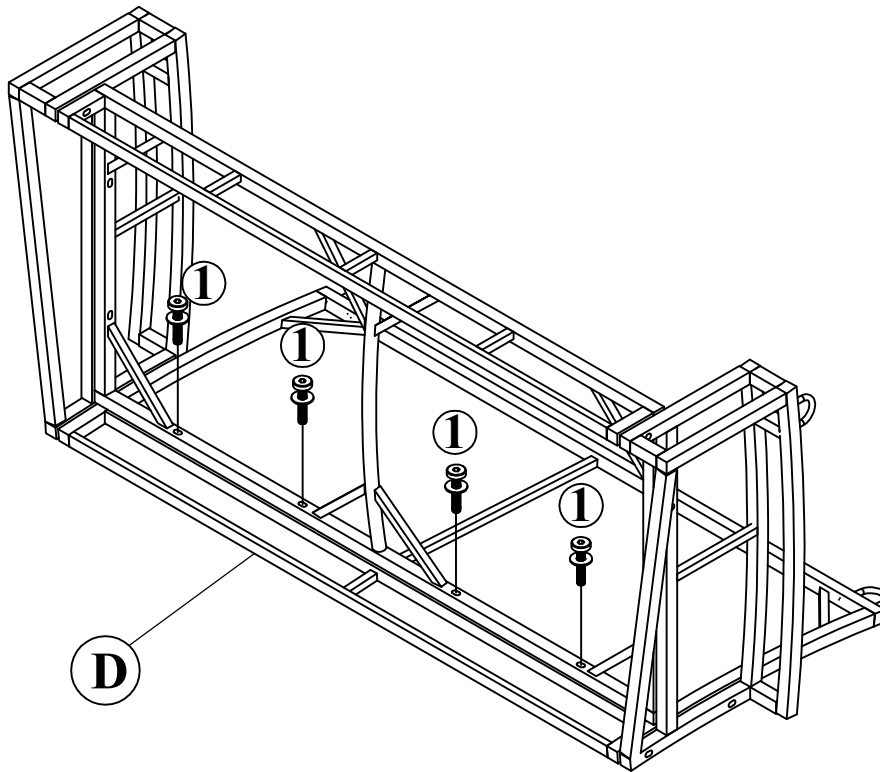
STEP 2

Connect Part from STEP 1 & Left frame (B) with Bolt (1) & Washers (2)



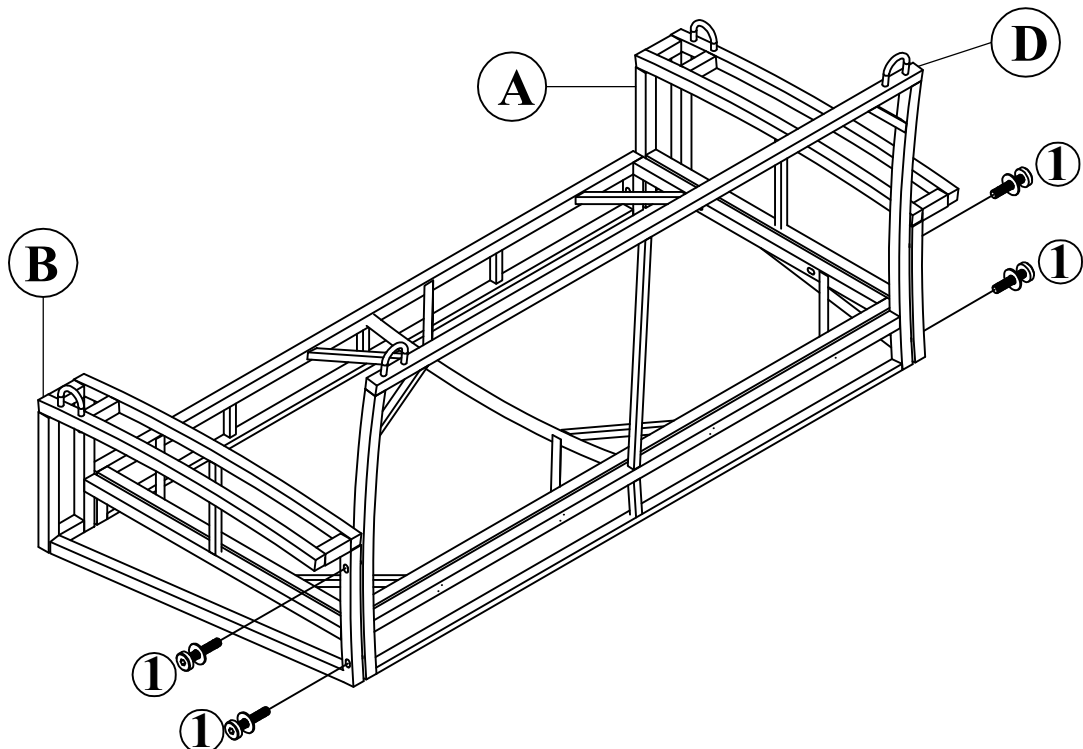
STEP 3

Connect Part from STEP 2 & Back frame (D) with Bolt (1) & Washers (2)



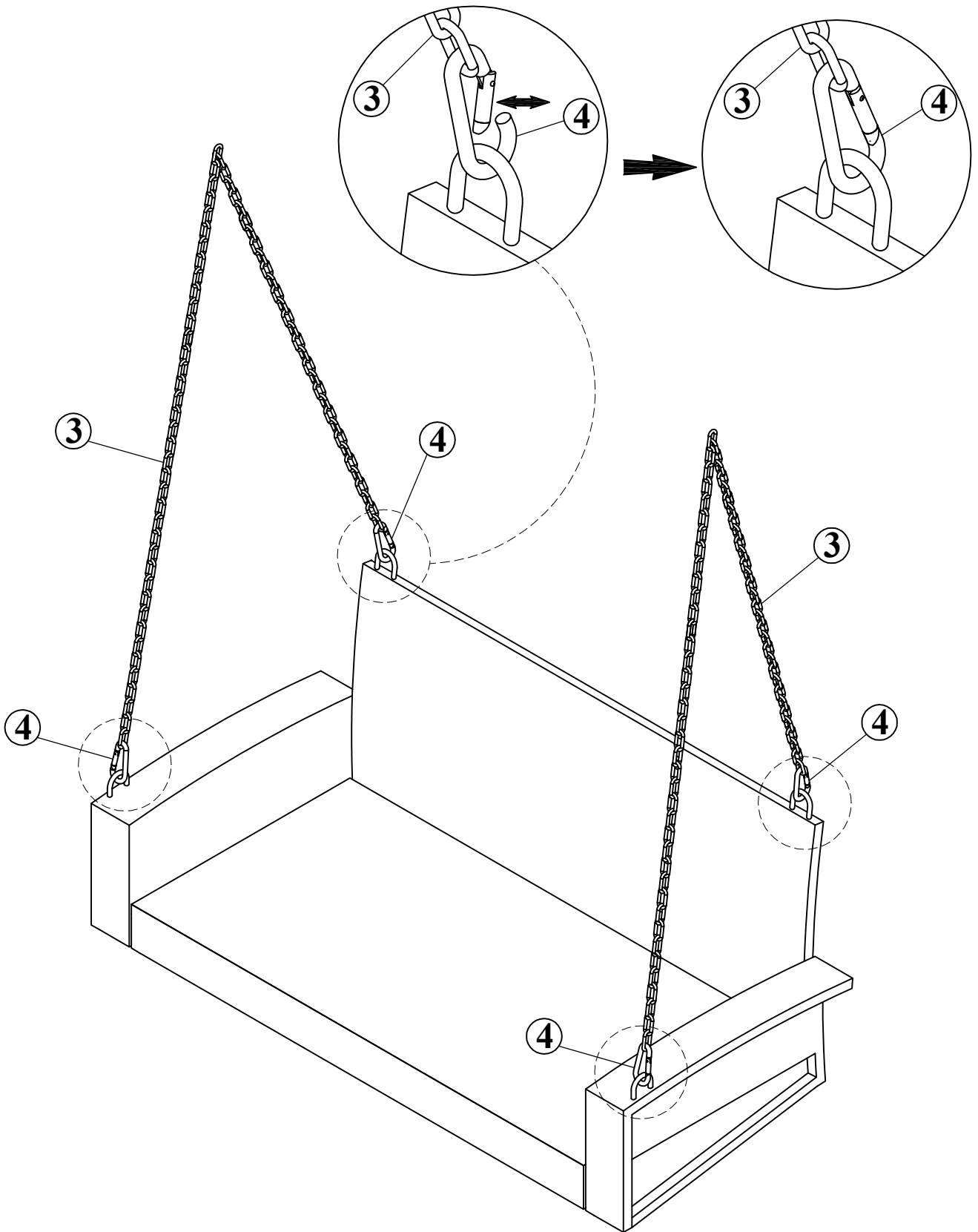
STEP 4

Connect the parts of the Back frame (D) & Right frame (A) and Left frame (B) completed in STEP 3 with Bolts (1) & Washers (2)



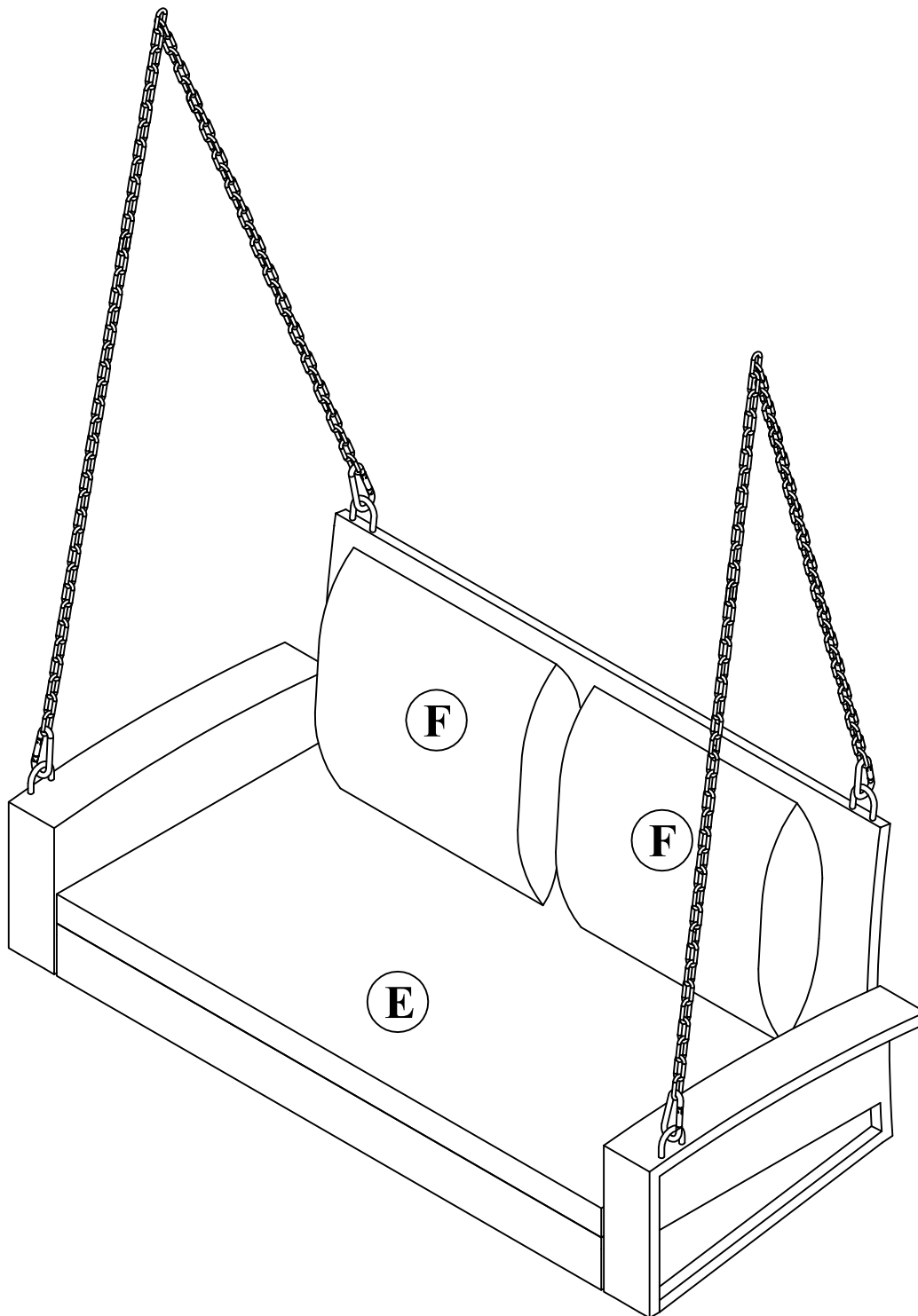
STEP 5

Connect Part from STEP 4 with Steel chain (3) & Safety keychain (4)



STEP 6

Put on Seat cushion (E) & Pillow (F) to complete Rattan Hanging Porch Swing



Finished