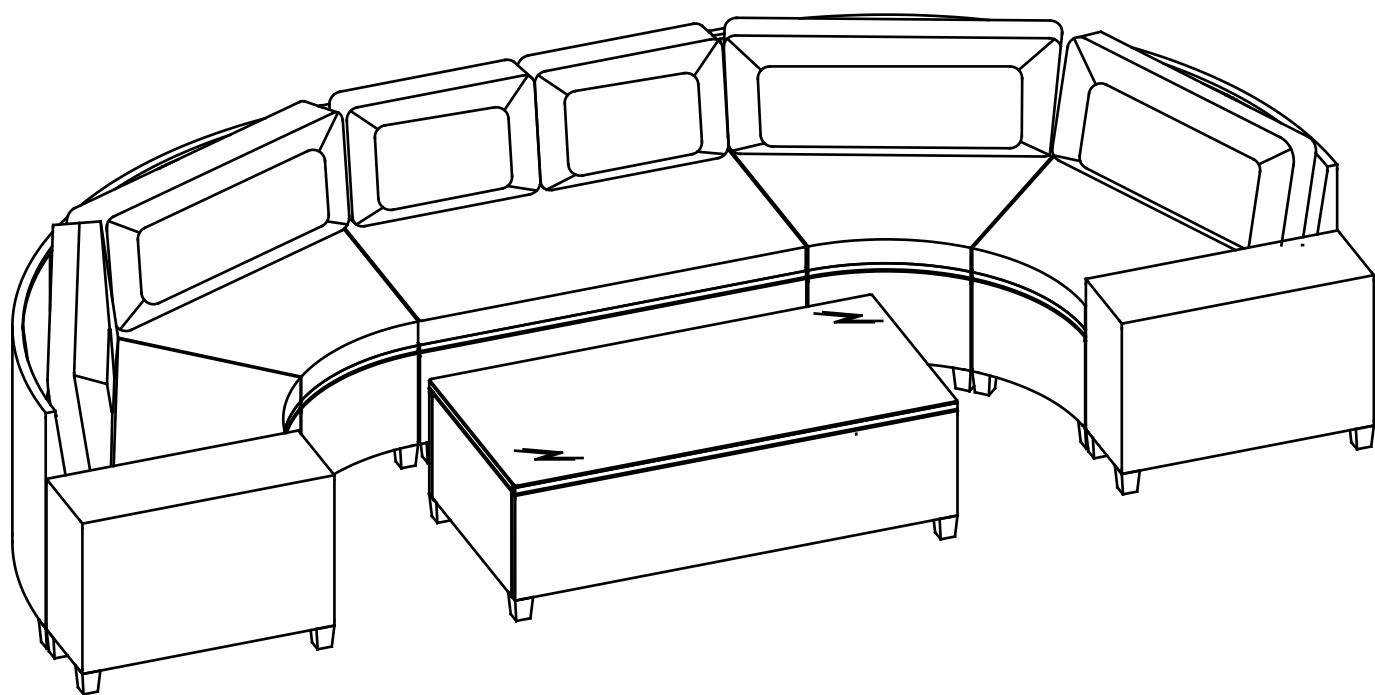


# ASSEMBLY INSTRUCTIONS

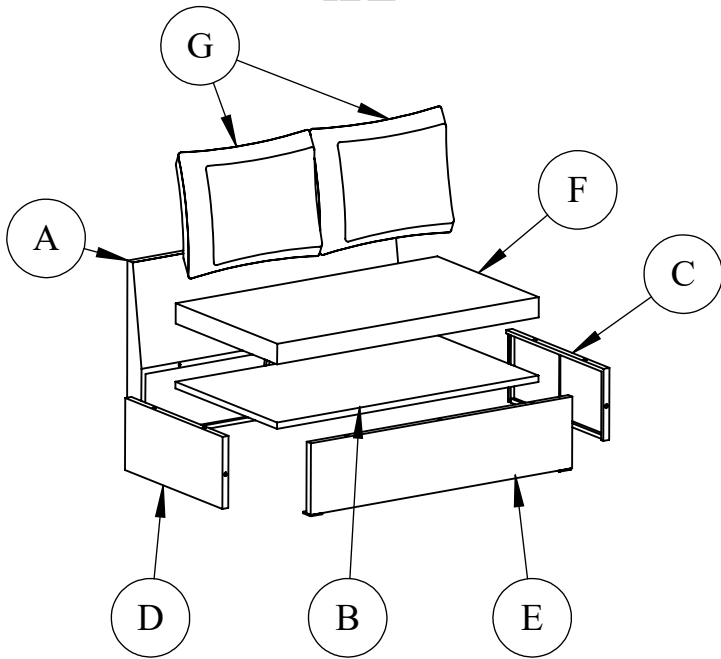
---

## HALF MOON RATTAN SOFA SET

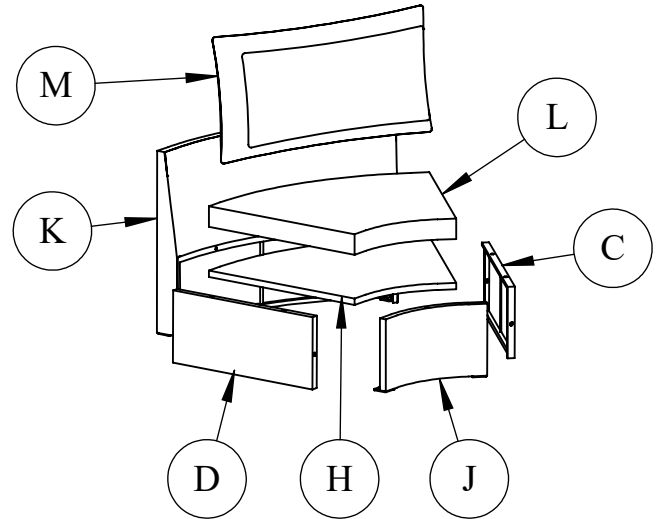


WF288779 ,WF288780 , WF288781 , WF288782

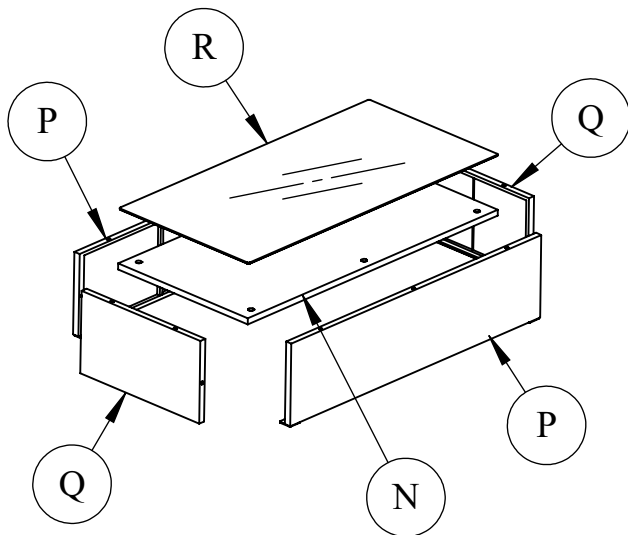
**x1**



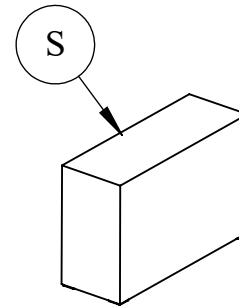
**x4**



**x1**



**x2**

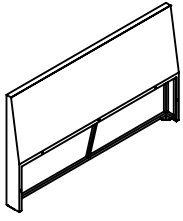


**Note:**

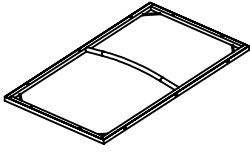
1. 50% Tighten before fixing all screws, Allen wrench is recommended instead of an electric drill.
2. Place the item on a flat ground to adjust and make sure it remains stable.
3. Tighten up all screw with tools gradually.
4. If screw are not aligned with holes during assembly, please loosen all the other screws to 50% and continue the assembly process.
5. If the item is not stable, please loosen all screws, adjust it on a flat ground and tighten up all screws again.
6. Note: If one or some screws are fully tighten during assembly, chances are the others will not be aligned with holes. In addition, all the holes are designed to be relatively larger to provide more space for the adjustment of the screws.

# CARTON CONTENT:

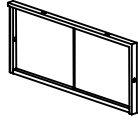
**WF288779**



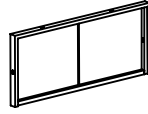
(A) x 1



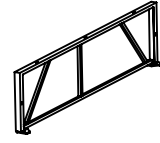
(B) x 1



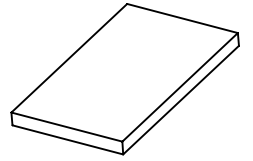
(C) x 1



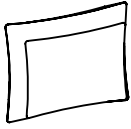
(D) x 1



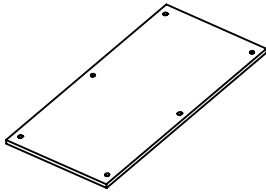
(E) x 1



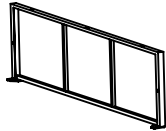
(F) x 1



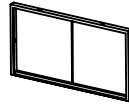
(G) x 2



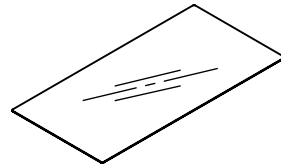
(N) x 1



(P) x 2



(Q) x 2

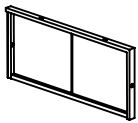


(R) x 1

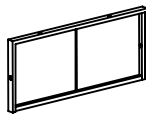


HARDWARE

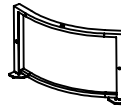
**WF288780**



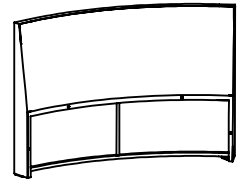
(C) x 4



(D) x 4

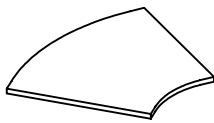


(J) x 4

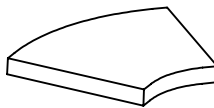


(K) x 4

**WF288781**



(H) x 4

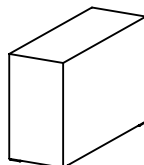


(L) x 4

**WF288782**

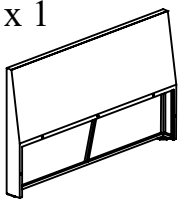
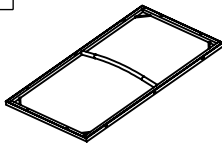
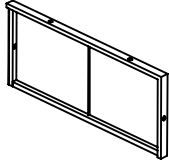
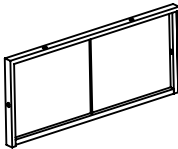
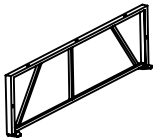
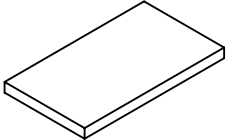
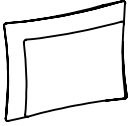

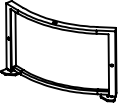
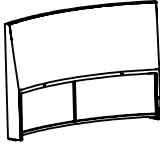
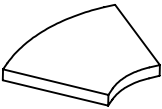

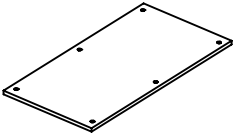
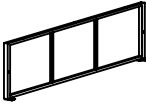
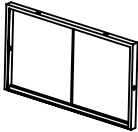
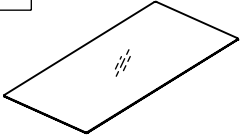
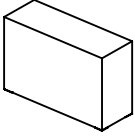


(M) x 4





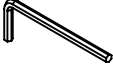
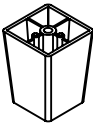
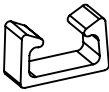


(S) x 2

# Part List:

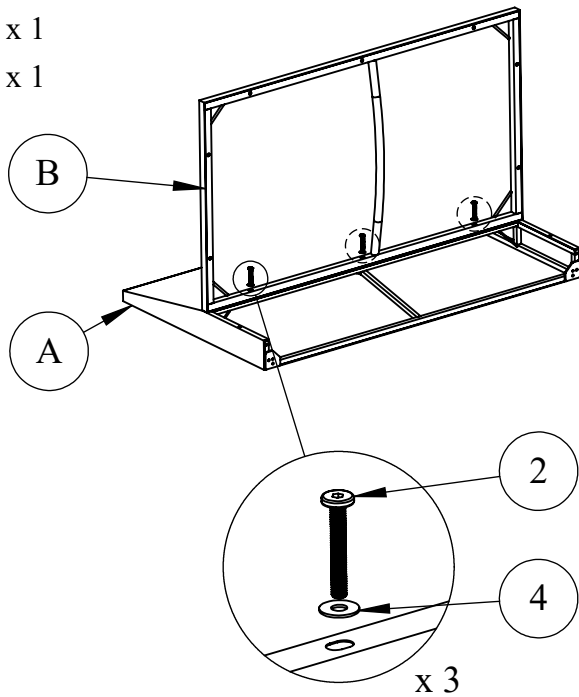
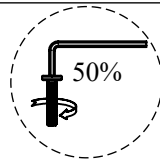
<p><b>A</b> x 1</p>  <p>BACK SOFA FRAME</p>	<p><b>B</b> x 1</p>  <p>SEAT SOFA FRAME</p>	<p><b>C</b> x 5</p>  <p>SIDE LEFT OF SOFA</p>	<p><b>D</b> x 5</p>  <p>SIDE RIGHT OF SOFA</p>	<p><b>E</b> x 1</p>  <p>FRONT SOFA FRAME</p>
<p><b>F</b> x 1</p>  <p>SEAT CUSHION OF SOFA</p>	<p><b>G</b> x 2</p>  <p>PILLOW OF SOFA</p>	<p><b>H</b> x 4</p>  <p>SEAT MIDDLE FRAME</p>	<p><b>J</b> x 4</p>  <p>FRONT MIDDLE FRAME</p>	<p><b>K</b> x 4</p>  <p>BACK MIDDLE FRAME</p>
<p><b>L</b> x 4</p>  <p>SEAT CUSHION OF MIDDLE</p>	<p><b>M</b> x 4</p>  <p>PILLOW OF MIDDLE</p>	<p><b>N</b> x 1</p>  <p>TABLE TOP</p>	<p><b>P</b> x 2</p>  <p>FRONT TABLE FRAME</p>	<p><b>Q</b> x 2</p>  <p>SIDE TABLE FRAME</p>
<p><b>R</b> x 1</p>  <p>GLASS</p>	<p><b>S</b> x 2</p>  <p>SIDE TABLE</p>			

# Hardware:

<p>① x 61 pcs Extra 3 pcs</p>  <p>BOLT M6x30MM</p>	<p>② x 11 pcs Extra 1 pcs</p>  <p>BOLT M6x40MM</p>	<p>③ x 32 pcs Extra 2 pcs</p>  <p>BOLT M6x55MM</p>	<p>④ x 72 pcs Extra 6 pcs</p>  <p>WASHER M6</p>	<p>⑤ x 3 pcs</p>  <p>ALLEN KEY</p>
<p>⑥ x 32 pcs</p>  <p>LEG</p>	<p>⑦ x 12 pcs</p>  <p>CONNECTOR</p>			

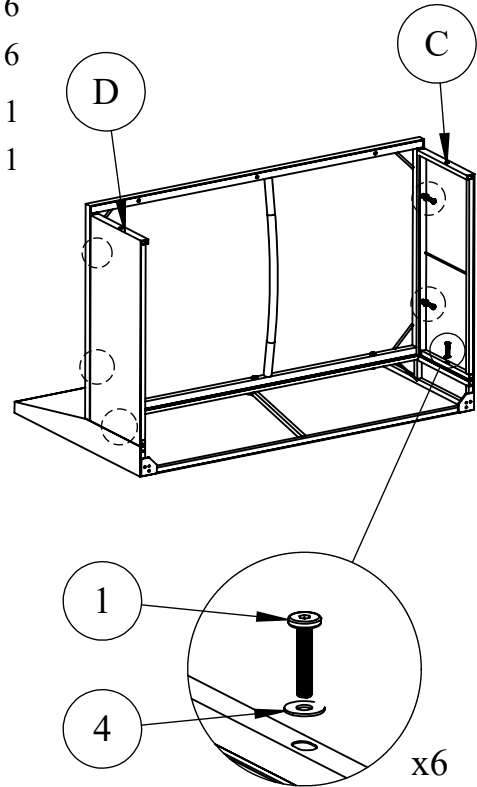
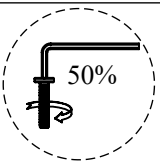
# STEP 1

- ② x 3
- ④ x 3
- Ⓐ x 1
- Ⓑ x 1



# STEP 2

- ① x 6
- ④ x 6
- Ⓒ x 1
- Ⓓ x 1

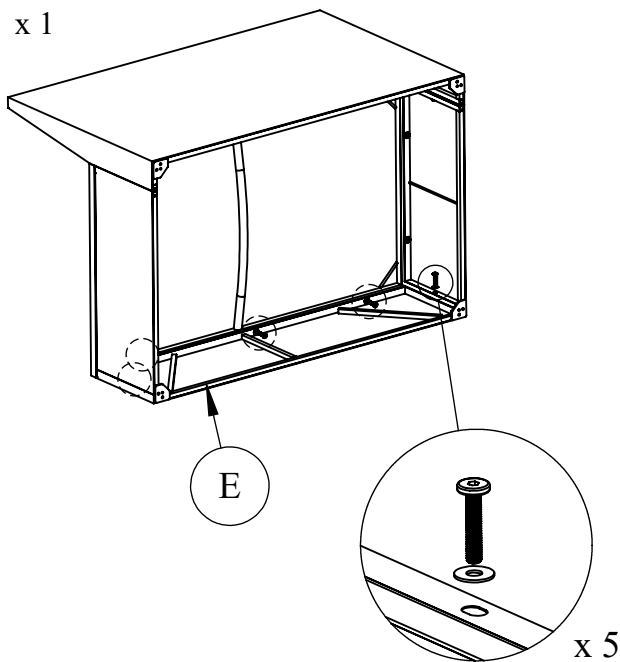
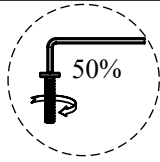


Connect Back of sofa (A) & Seat (B) with Bolt (2) & Washer (4).

Connect part from STEP 1 & Side Left (C), Right (D) of Sofa with Bolt (1) & Washer (4).

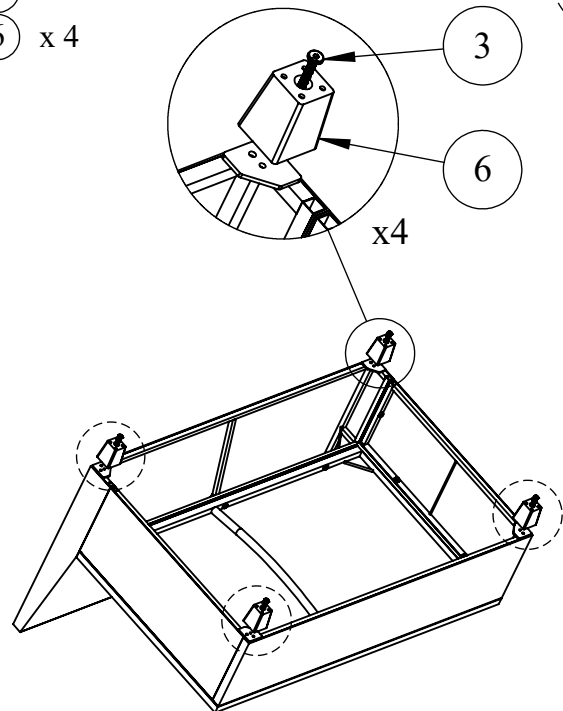
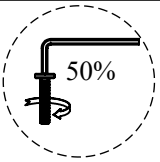
# STEP 3

- ① x 5
- ④ x 5
- Ⓔ x 1



# STEP 4

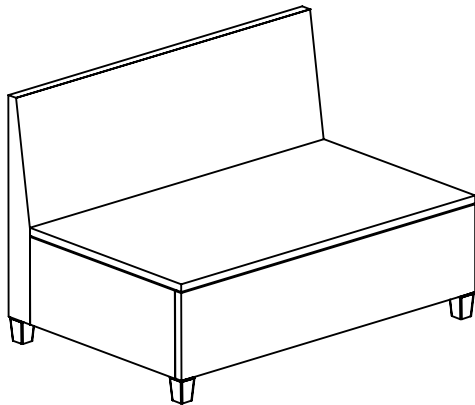
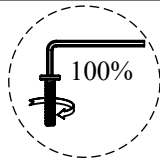
- ③ x 4
- ⑥ x 4



Connect part from STEP 2 & Front of Sofa (E) with Bolt (1) & Washer (4).

Connect part from STEP 3 & Leg (6) with Bolt (3).

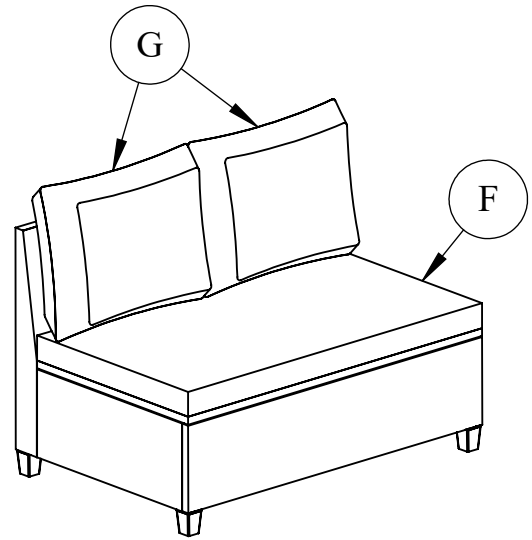
## STEP 5



## STEP 6

(F) x 1

(G) x 2



100% Tighten.

Put the Seat Cushion (F) & Pillows (G) on to the complete the Sofa.

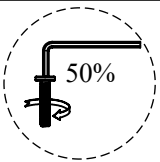
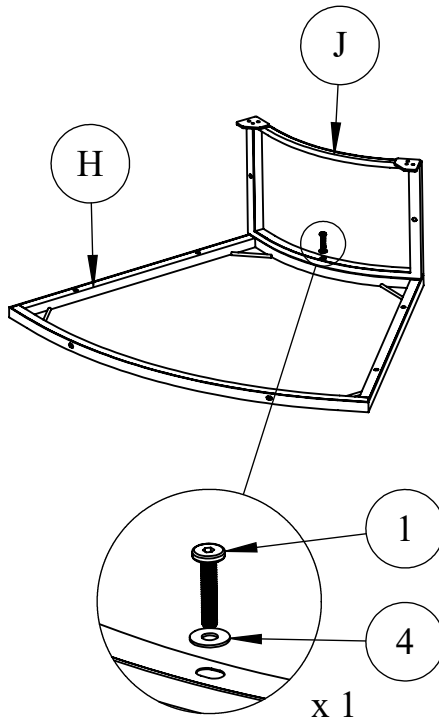
## STEP 7

(1) x 1

(4) x 1

(H) x 1

(J) x 1



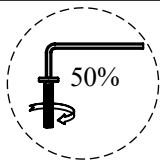
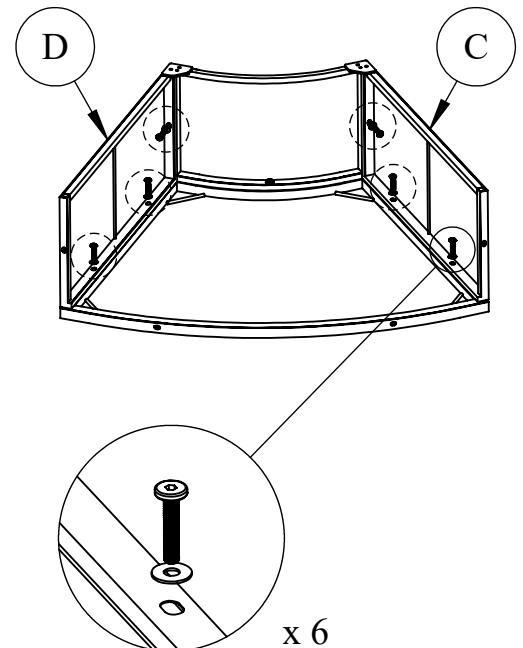
## STEP 8

(1) x 6

(4) x 6

(C) x 1

(D) x 1

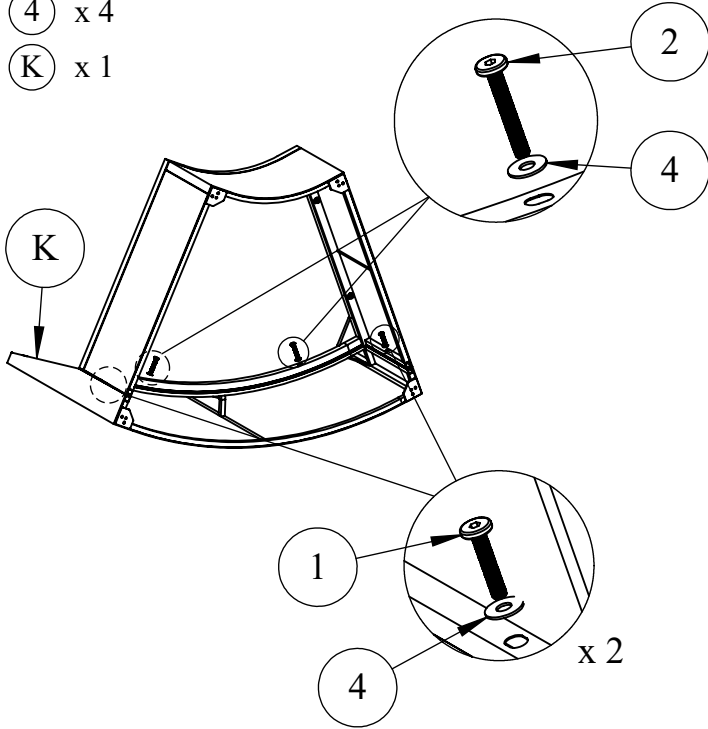
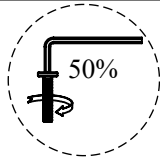


Connect Seat Middle frame (H) & Front frame (J) with bolt (1) & Washer (4).

Connect part from STEP 7 & Side Left (C), Right (D) of Middle with Bolt (1) & Washer (4).

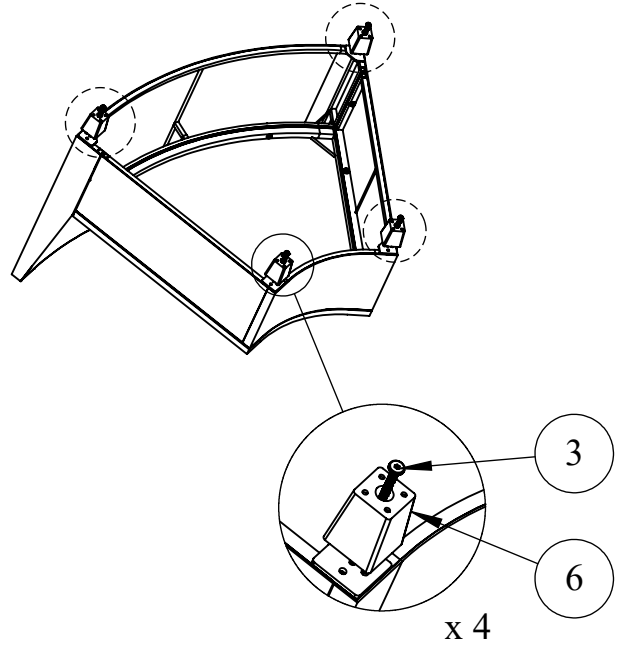
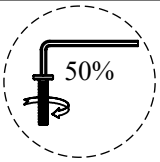
## STEP 9

- ① x 2
- ② x 2
- ④ x 4
- (K) x 1



## STEP 10

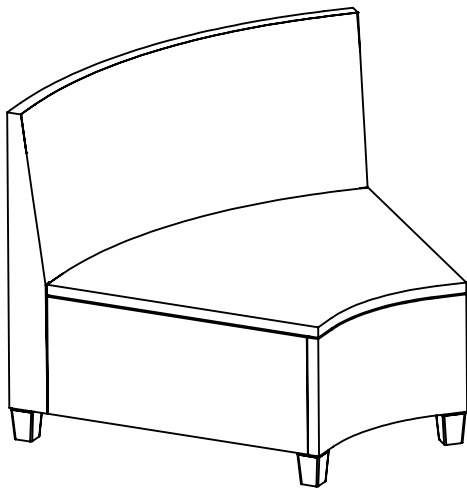
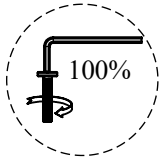
- ③ x 4
- ⑥ x 4



Connect part from STEP 8 & Back Middle (K) with Bolt (1) (2) & Washer (4).

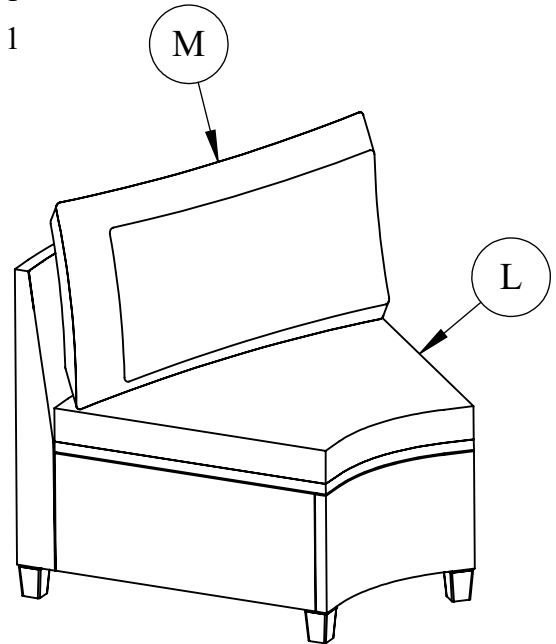
Connect part from STEP 9 & Leg (6) with Bolt (3).

## STEP 11



## STEP 12

- (M) x 1
- (L) x 1

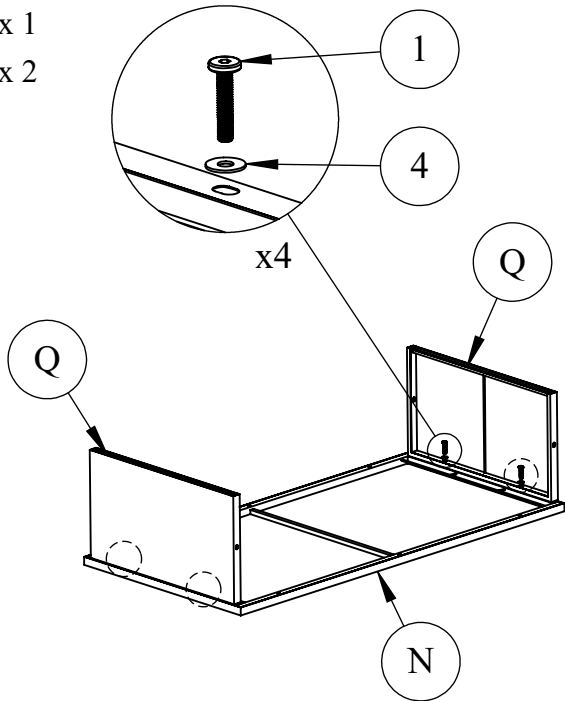
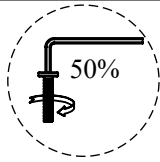


100% Tighten.

Put the Seat Cushion (L) & Pillows (M) on to the complete the Middle chair.

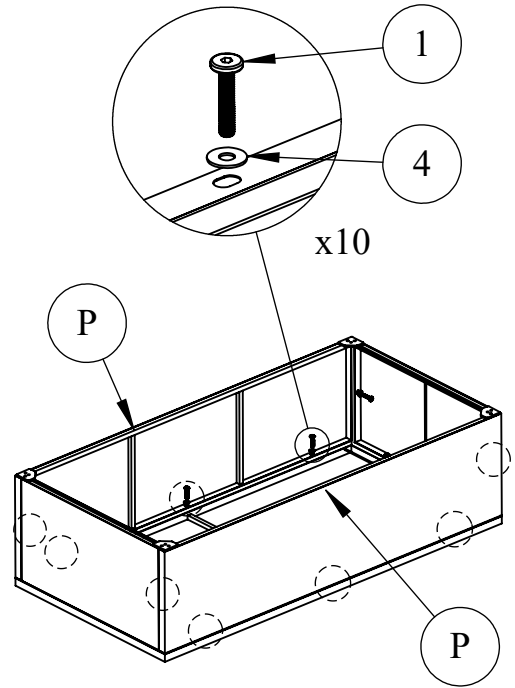
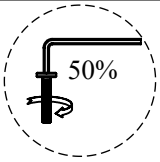
## STEP 13

- ① x 4
- ④ x 4
- ① N x 1
- ① Q x 2



## STEP 14

- ① x 10
- ④ x 10
- ① P x 2

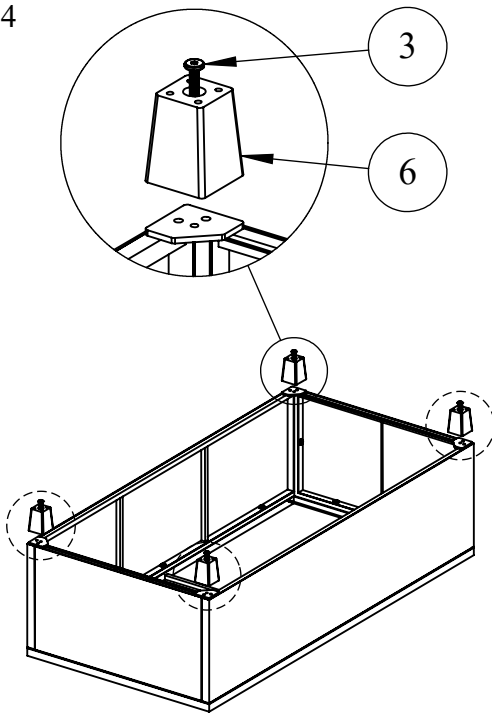
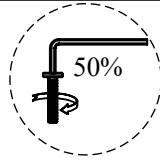


Connect Table Top (N) & side frame (Q) with bolt (1) & Washer (4).

Connect part from STEP 13 & Front frame (P) with bolt (1) & Washer (4).

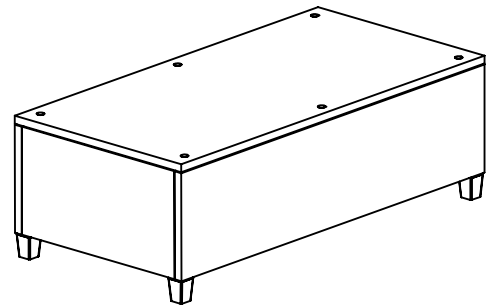
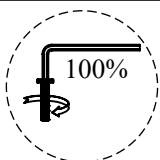
## STEP 15

- ③ x 4
- ⑥ x 4



Connect part from STEP 14 & Leg (6) with bolt (3).

## STEP 16

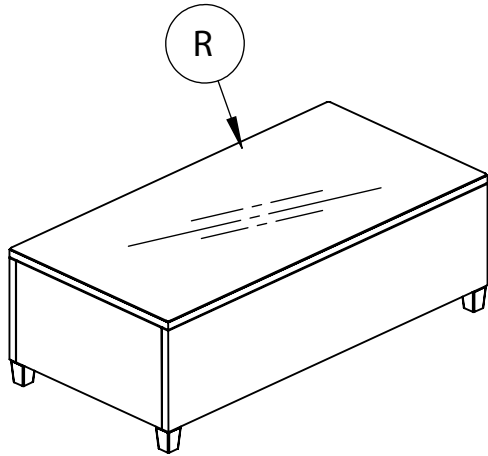


100% Tighten.



## STEP 17

(R) x1



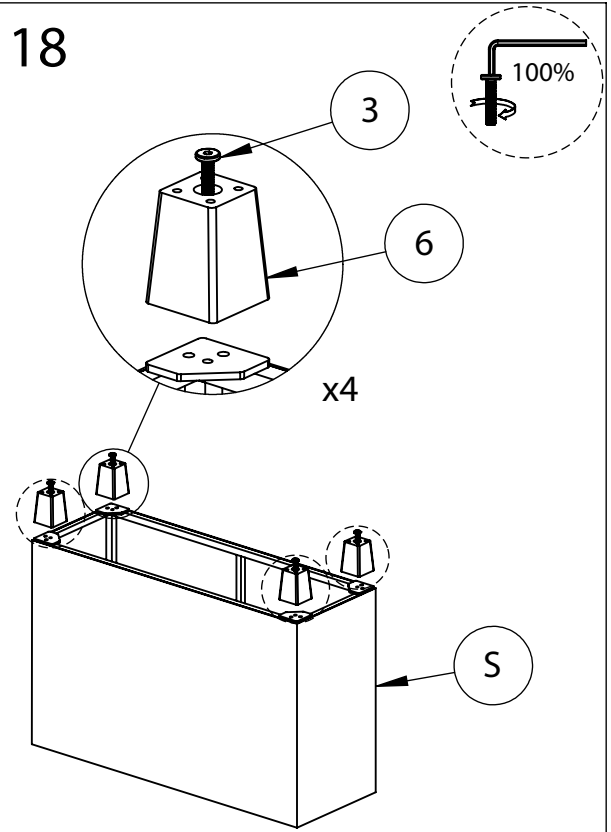
Put the Glass (R) on to complete Table Coffe.

## STEP 18

(3) x4

(6) x4

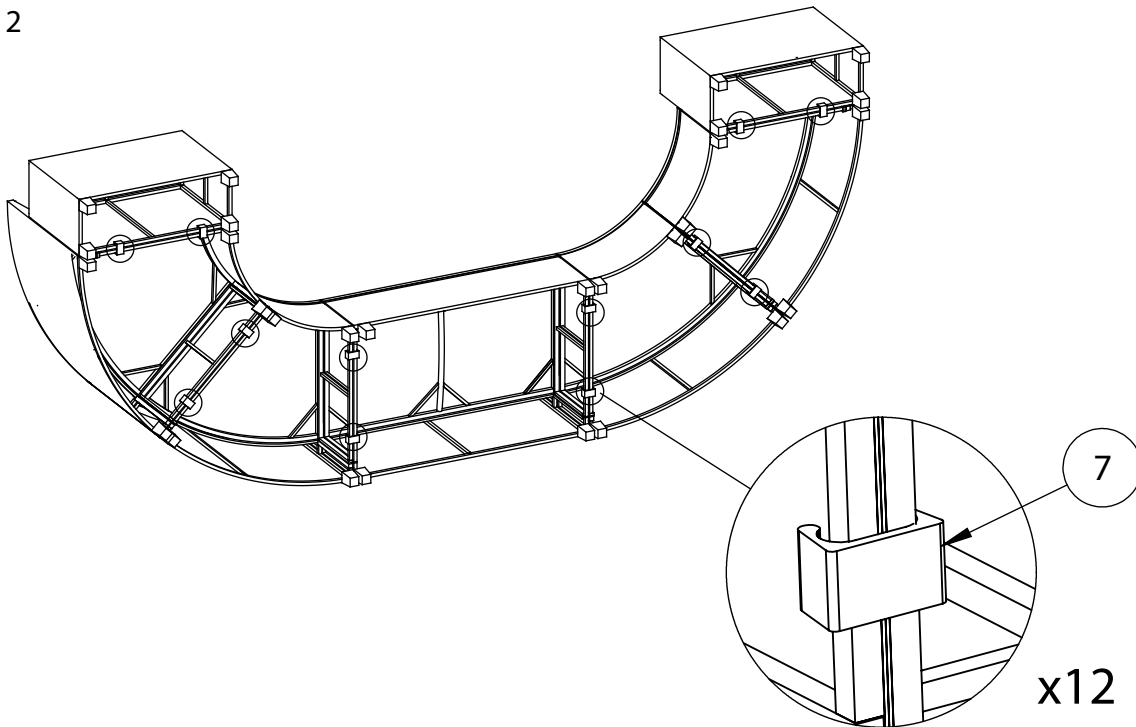
(S) x1



Connect Side table (S) & Leg (6) with Bolt (3)  
100% Tighten.

## STEP 19

(7) x12



Connect Sofa, 4 Middle & 2 Side table with Connector (7).

**FINISH**

