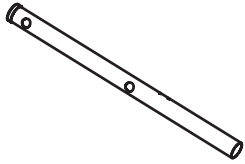


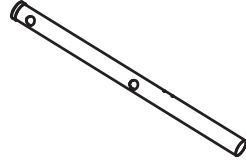
ASSEMBLY TWIN METAL BED

INSTRUCTION MB-1081 MOP

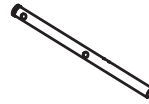
PART LIST:



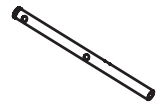
A:LSF Headboard
Post 1PC



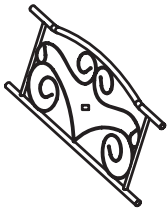
B:RSF Headboard
Post 1PC



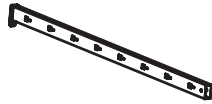
C:LSF Footboard
Post 1PC



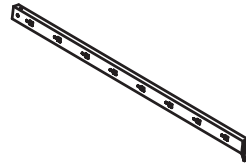
D:RSF Footboard
Post 1PC



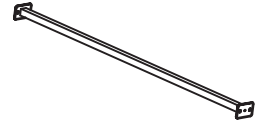
E:Headboard/Footboard
2PCS



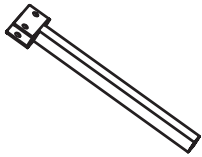
F:Rail section(1)
2PCS



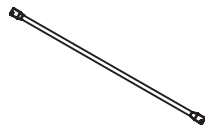
G:Rail section(2)
2PCS



H:Center support Bar
1PC



I:Rail Support Leg
2PCS



J:Slat
16PCS



K:Slat Connector
32PCS



L:Finial
4PCS

HARDWARE LIST:

Q*12PCS



1/4*13MM

R*4PCS



1/4*36MM

S*8PCS



1/4

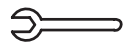
T*8PCS



1/4*55MM



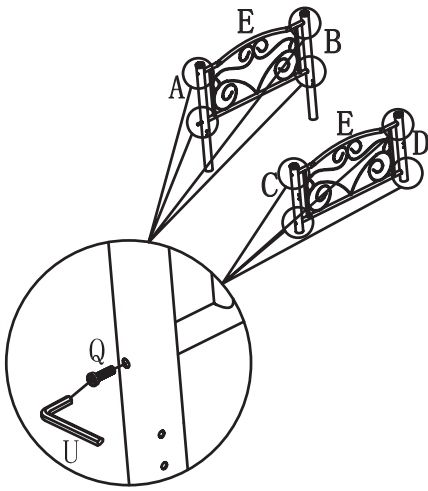
U*1PC



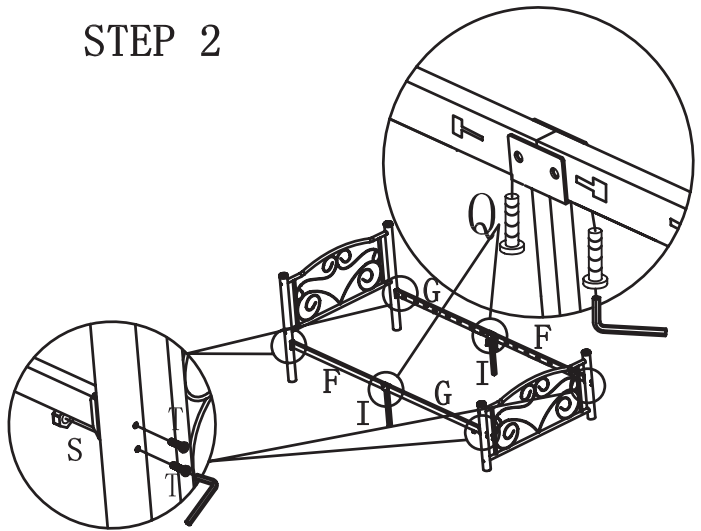
V*1PC

IMPORTANT NOTE: PLEASE NOT TIGHTEN ANY BOLTS UNTIL ALL OF THEM ARE PUT IN PLACES THEN TIGHTEN THE BOLTS.

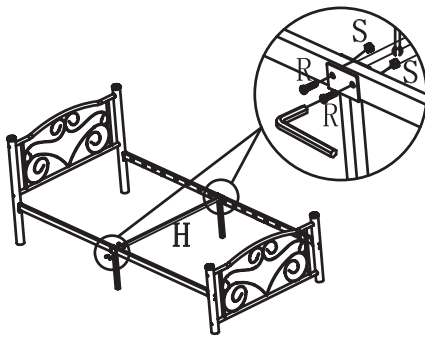
STEP 1



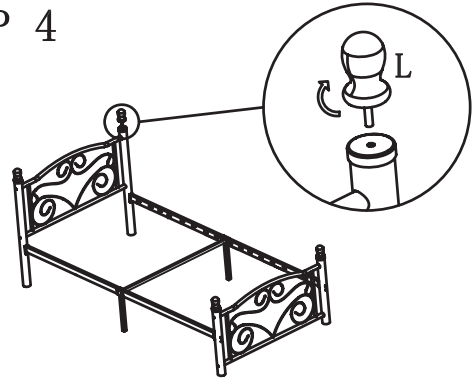
STEP 2



STEP 3



STEP 4



STEP 5

