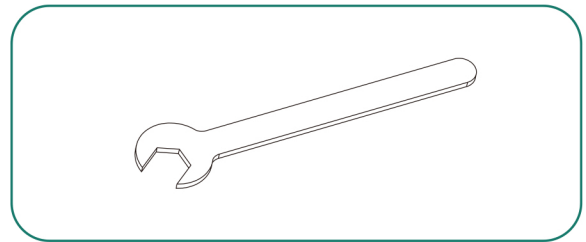
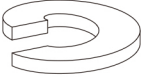
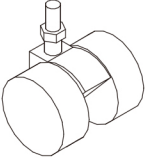
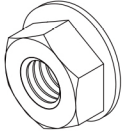
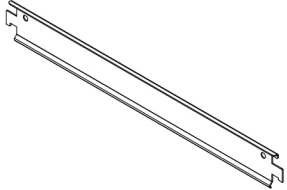
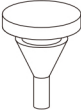
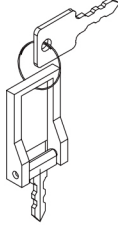
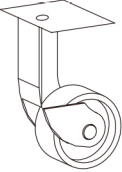
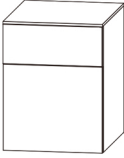
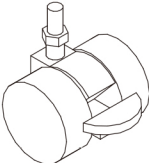


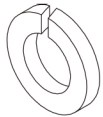

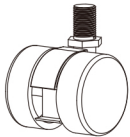
2-DRAWER MOBILE STEEL CABINET

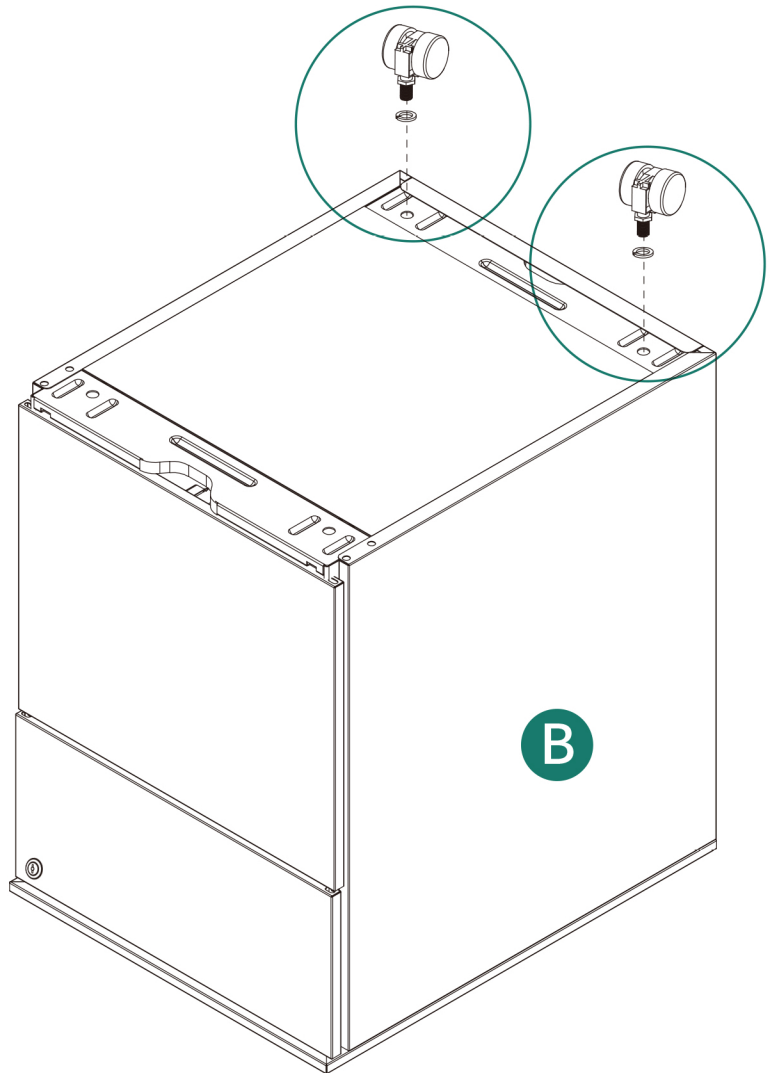
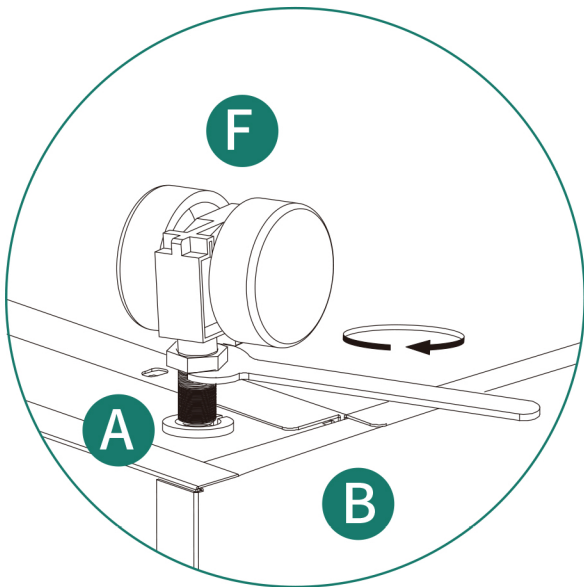
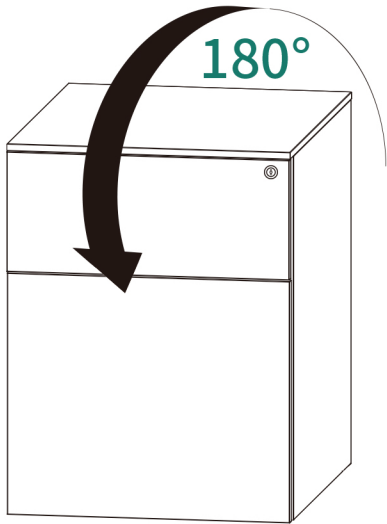
- 1. Gather and organize all required parts before assembling.
- 2. Assemble cabinet on a flat, clean surface.

Tools Required For Assembly



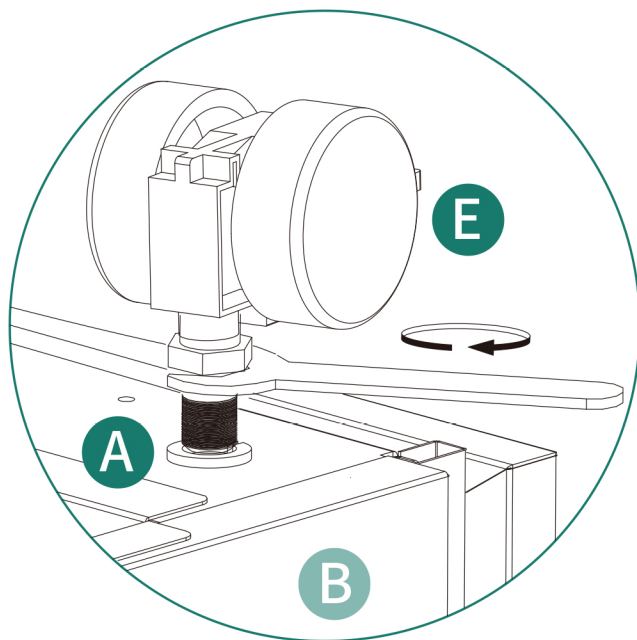
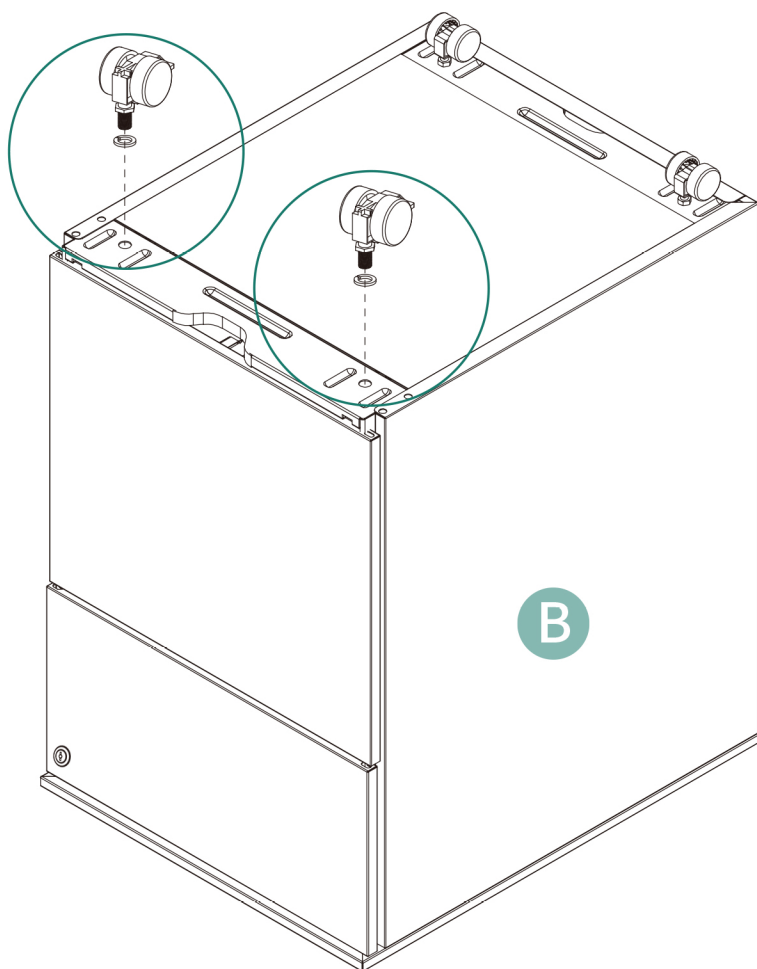

Item no.	Reference Image	Qty.	Item no.	Reference Image	Qty.
a		X5	f		X2
b		X5	g		X2
c		X3	h		X1
d		X1	i		X1
e		X3			

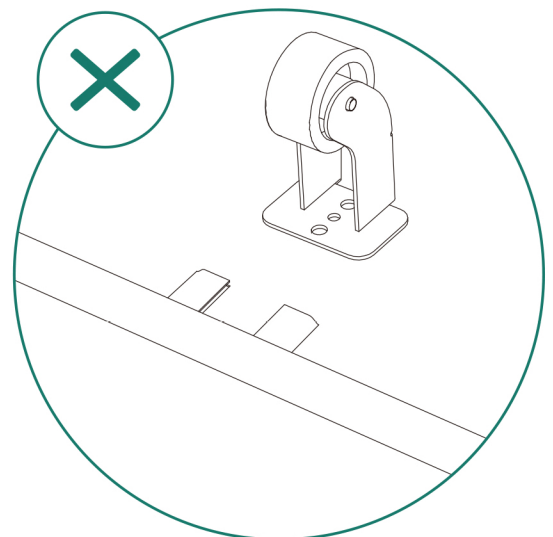
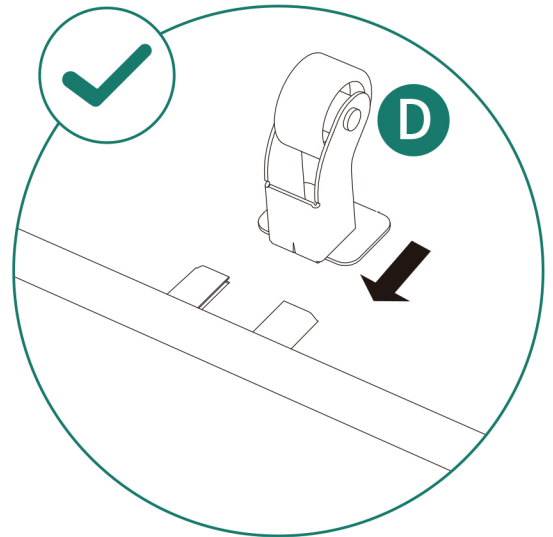
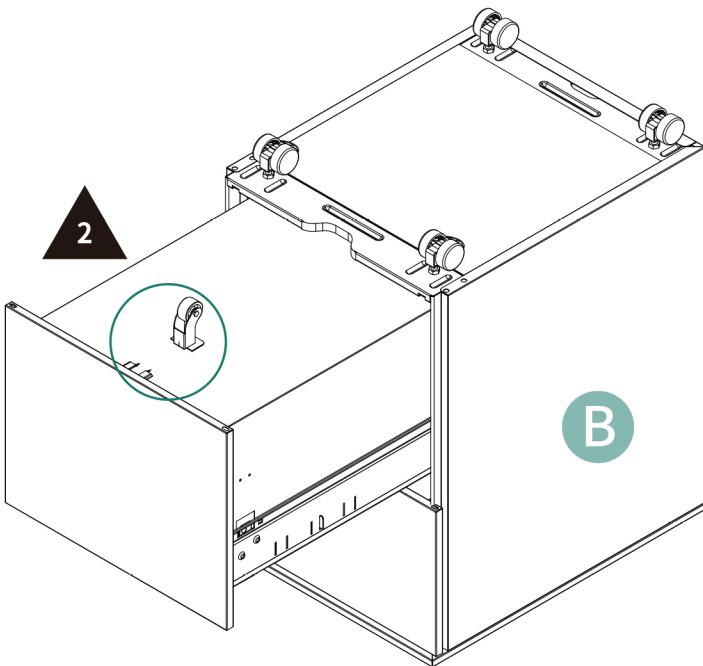
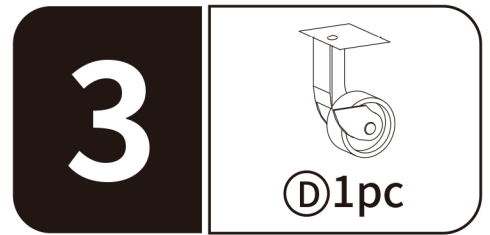
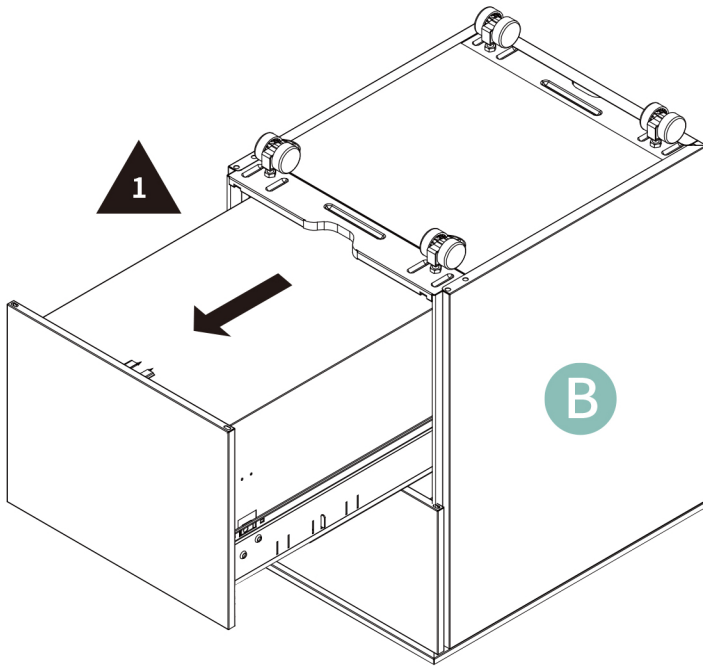
1			
	Ⓐ 2pcs	Ⓑ 1pc	Ⓕ 2pcs



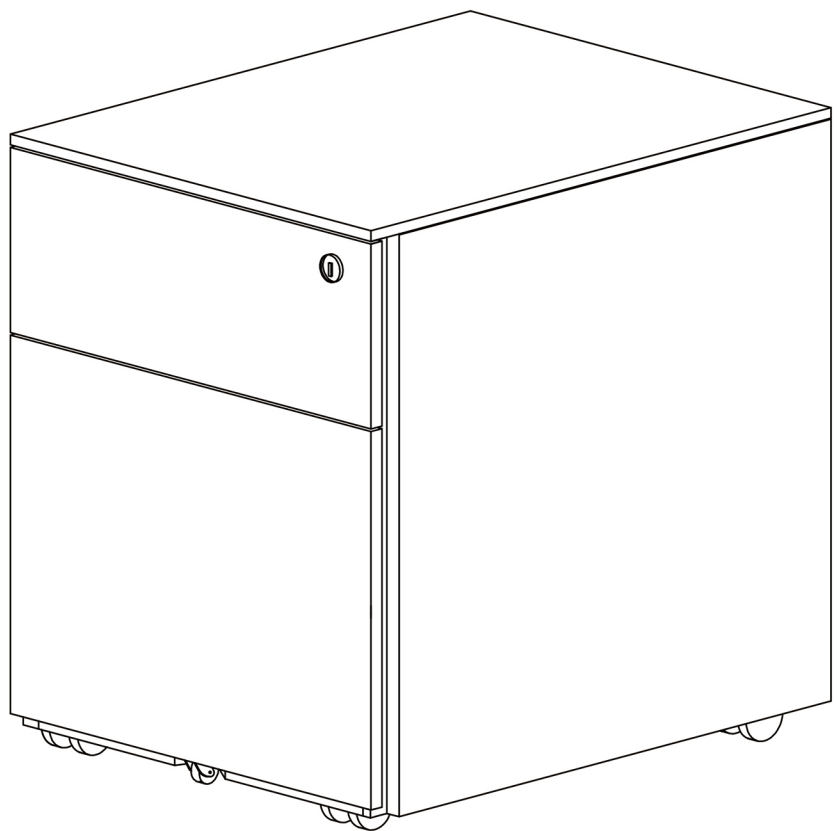
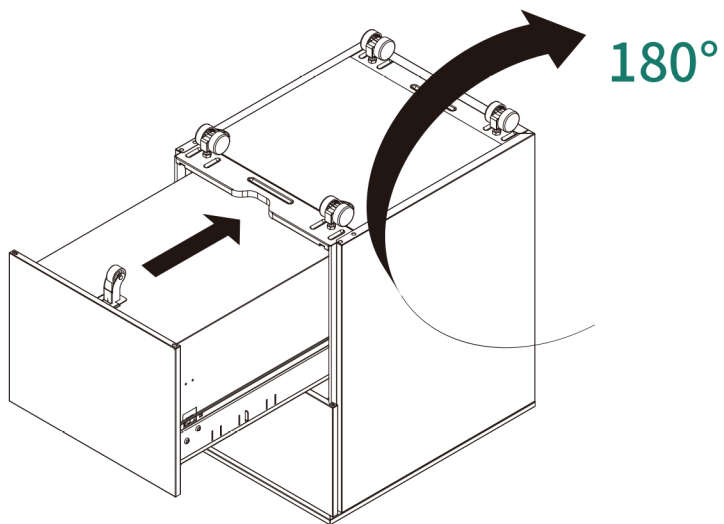
2

A 2pcs **E** 2pcs





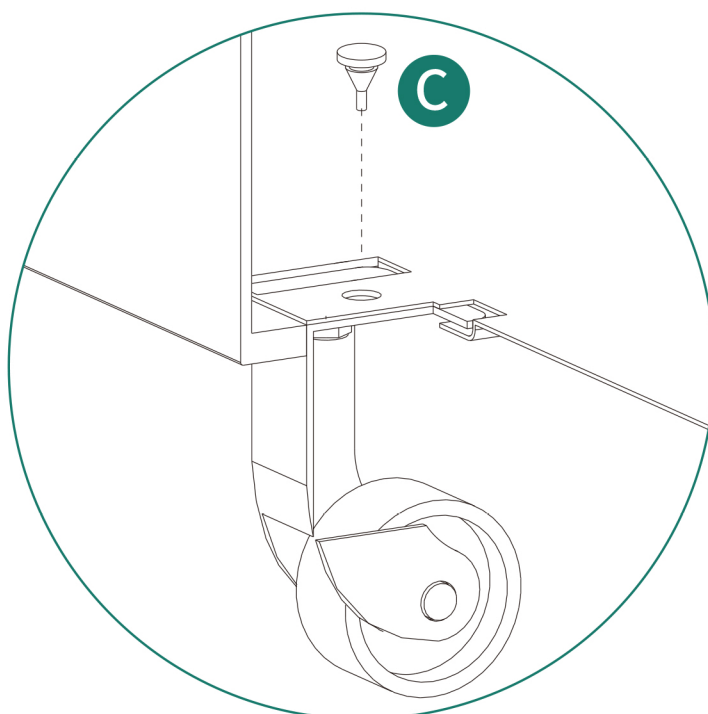
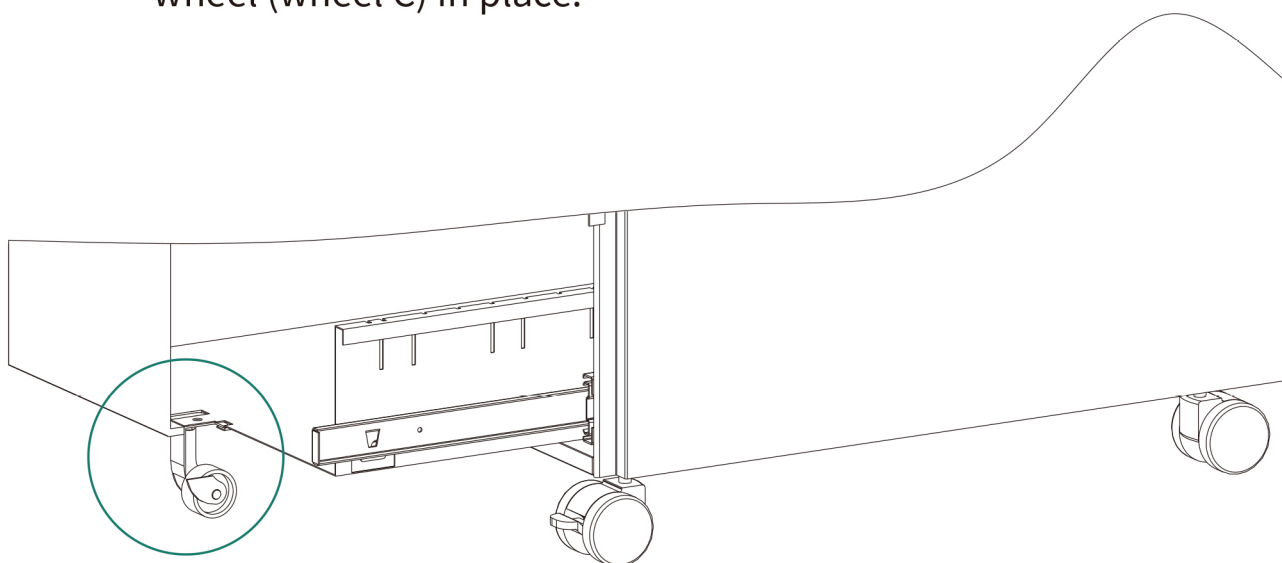
4




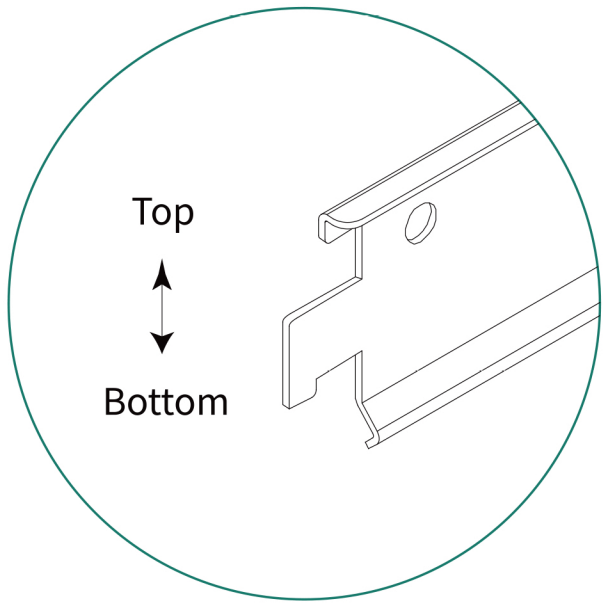
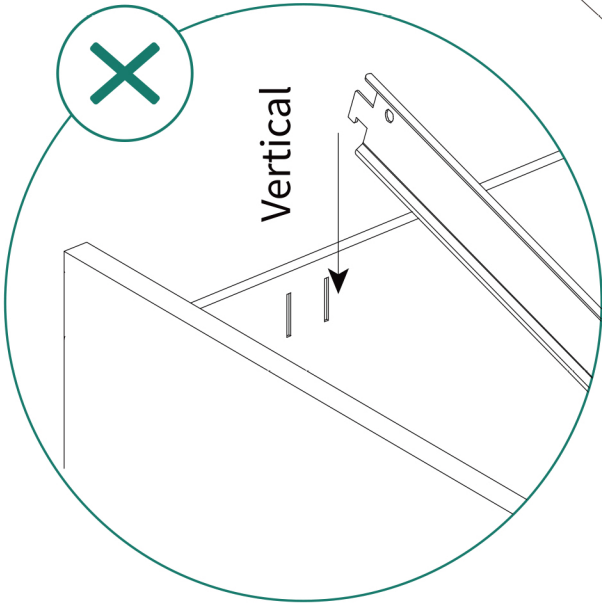
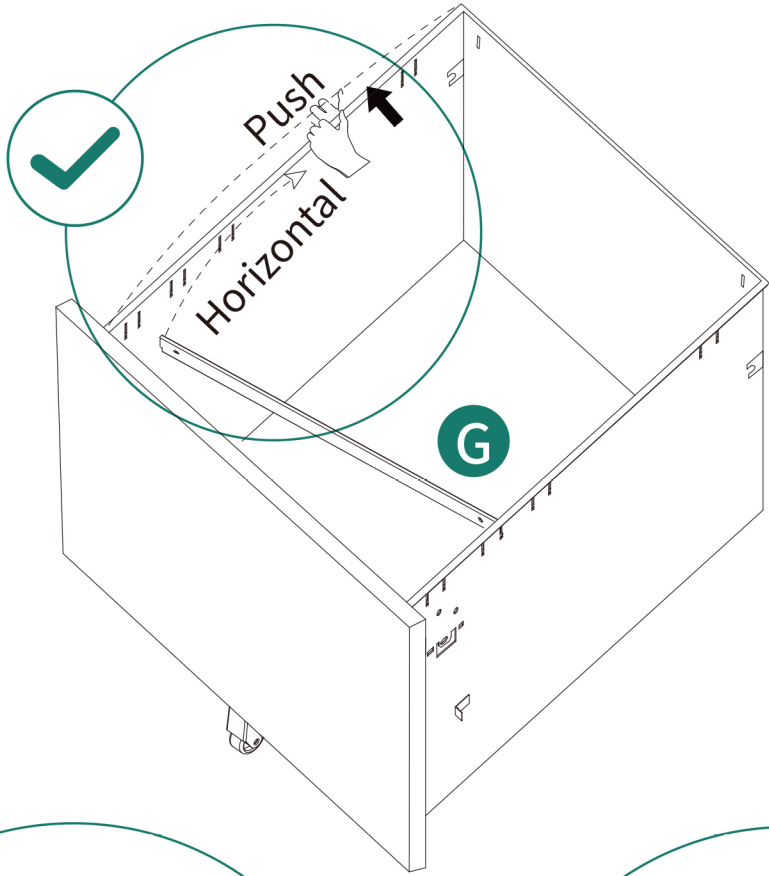
5

5	 ©1pc
----------	---

Open the bottom drawer, install the rubber buckle, and fix the anti-tip wheel (wheel C) in place.

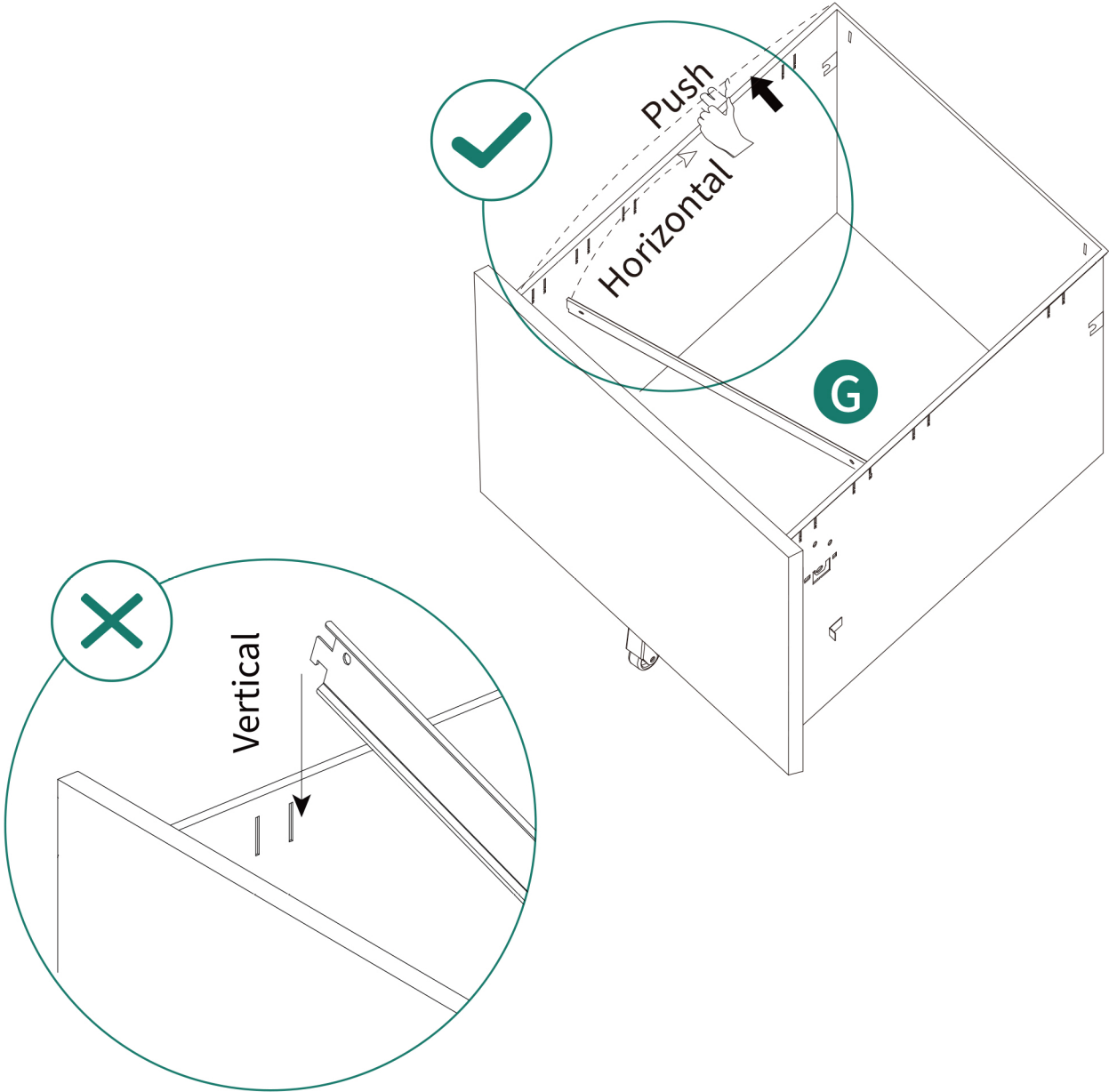


6	 Ⓒ 2pcs
X2	



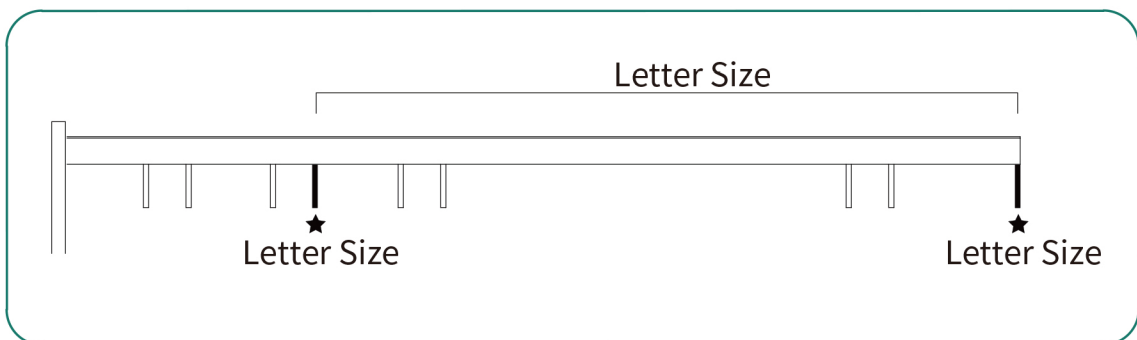
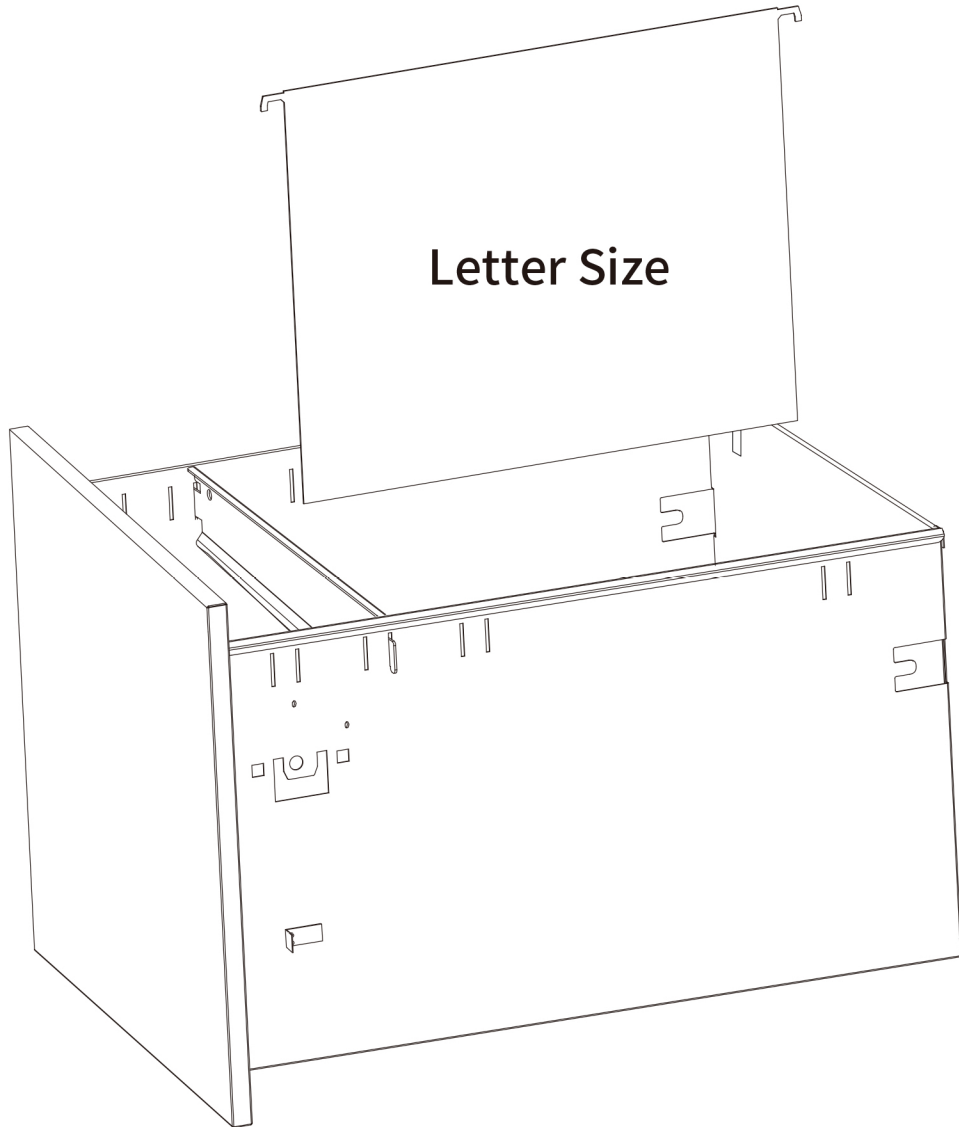
7

Lifting the hanging file bar slightly prior to removal makes removing or replacement easier.

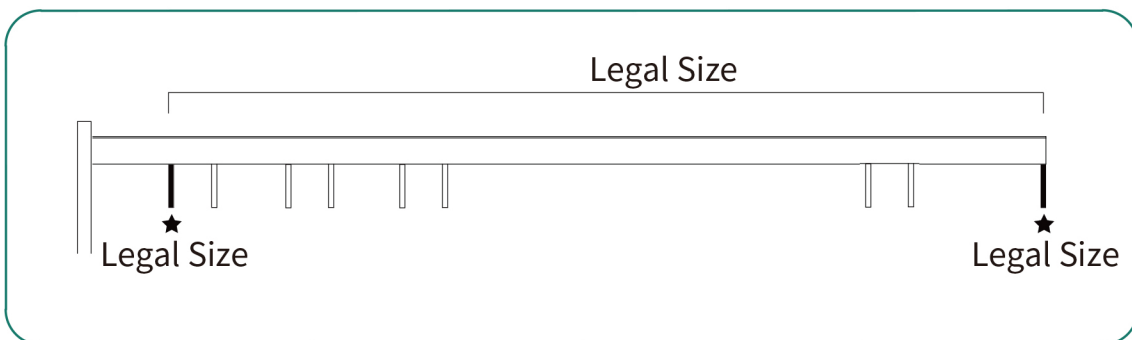
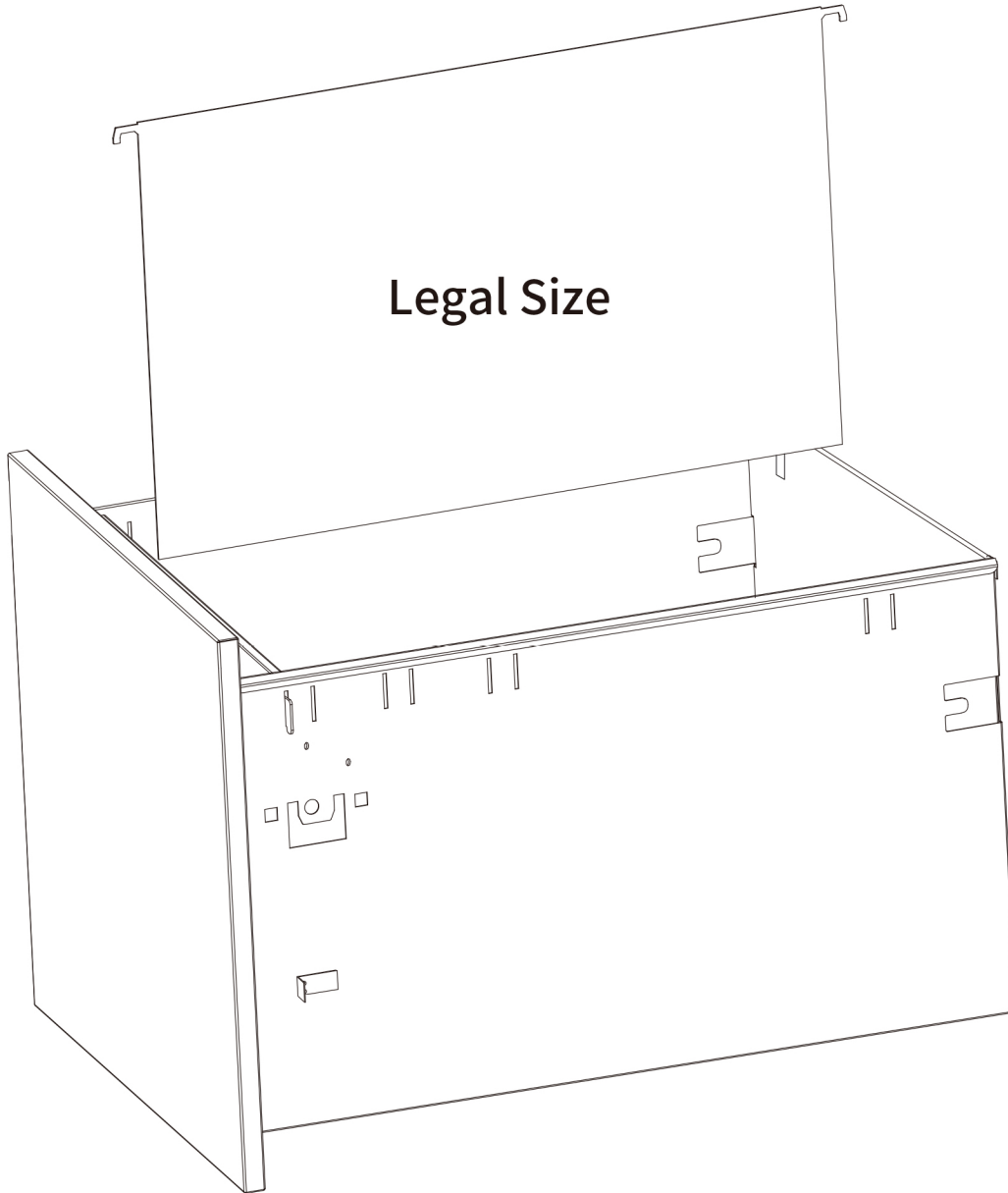


Instruction: 3 options available (Letter size , Legal size , A4 size)

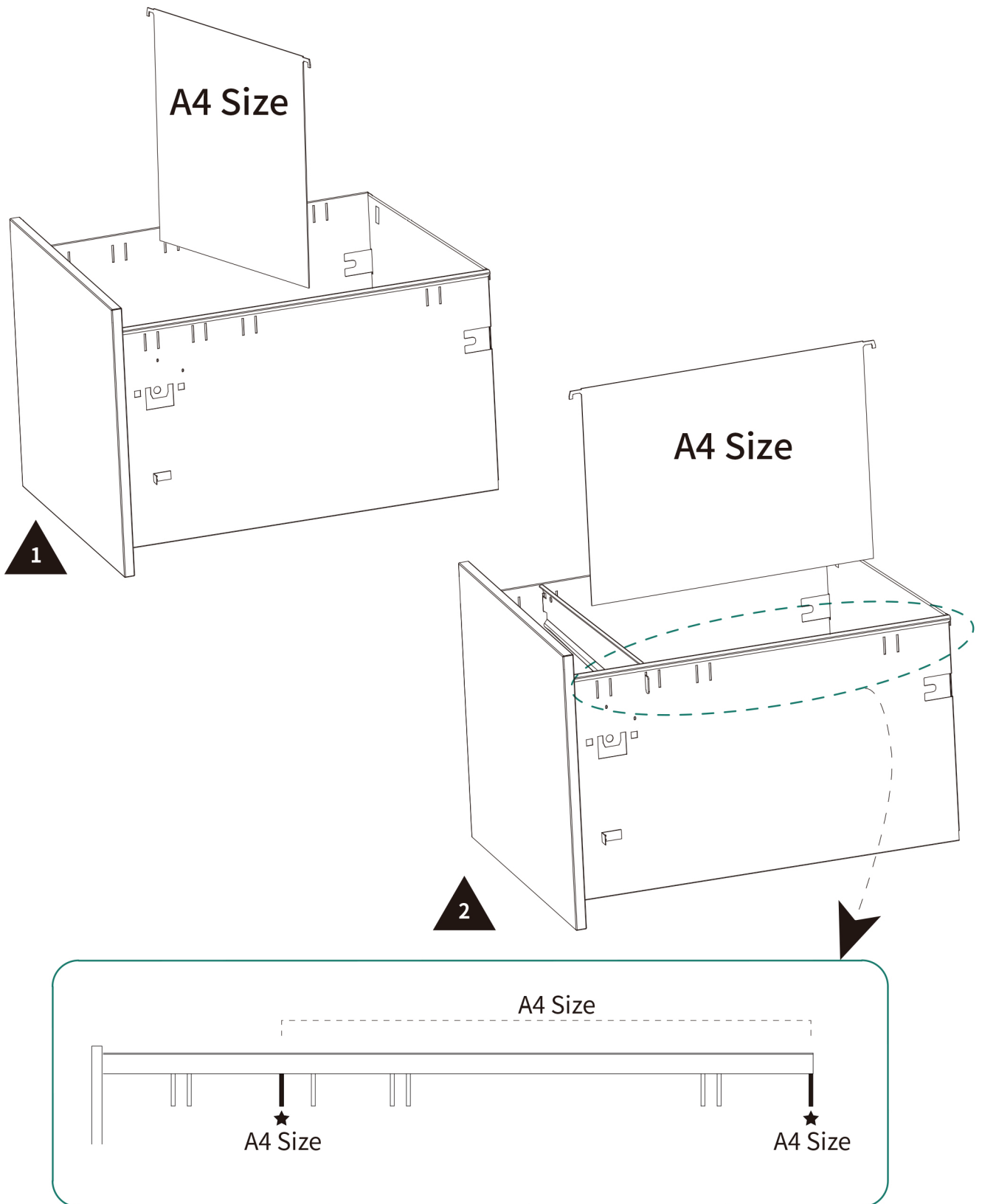
Hanging file bar position 1 – for Letter size file folders.

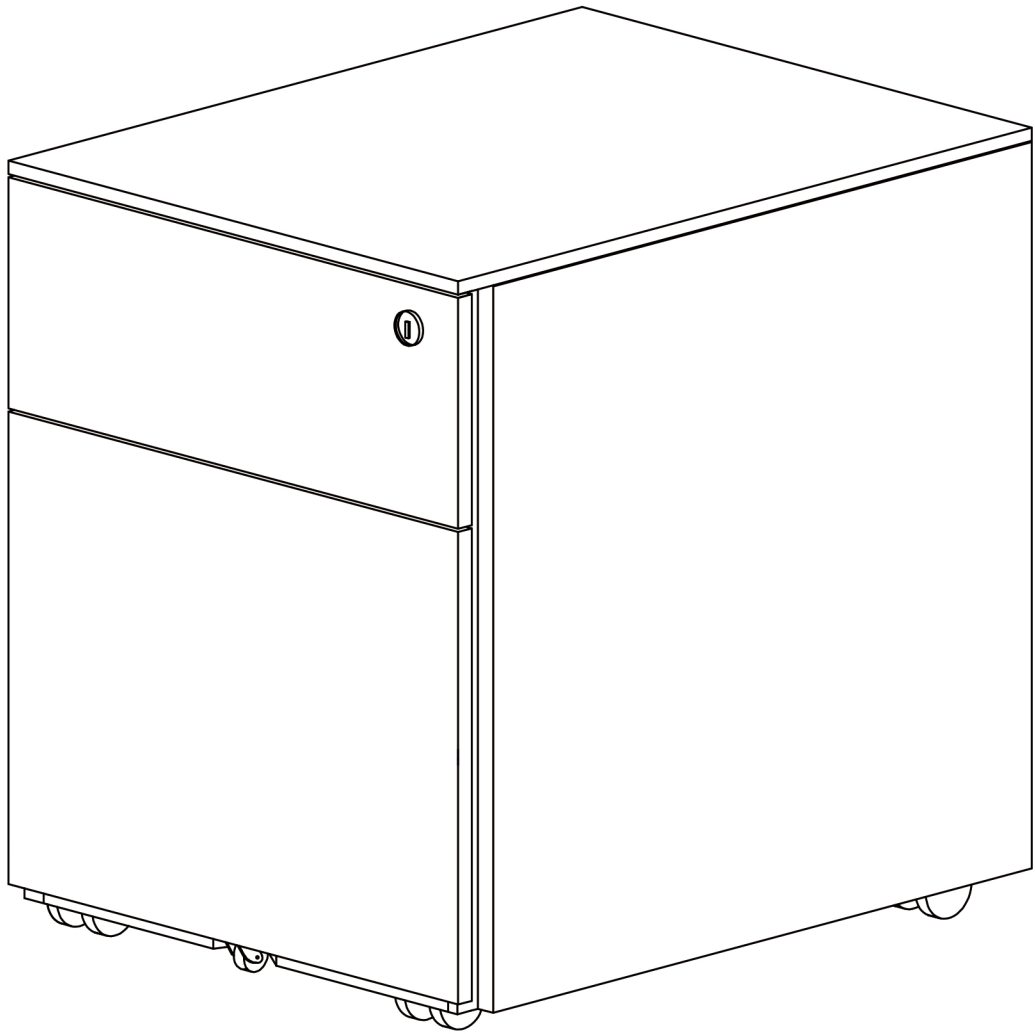


Hanging file bar position 2 – for Legal size file folders.



Hanging file bar position 3 – for A4 size file folders.





Installation Completed