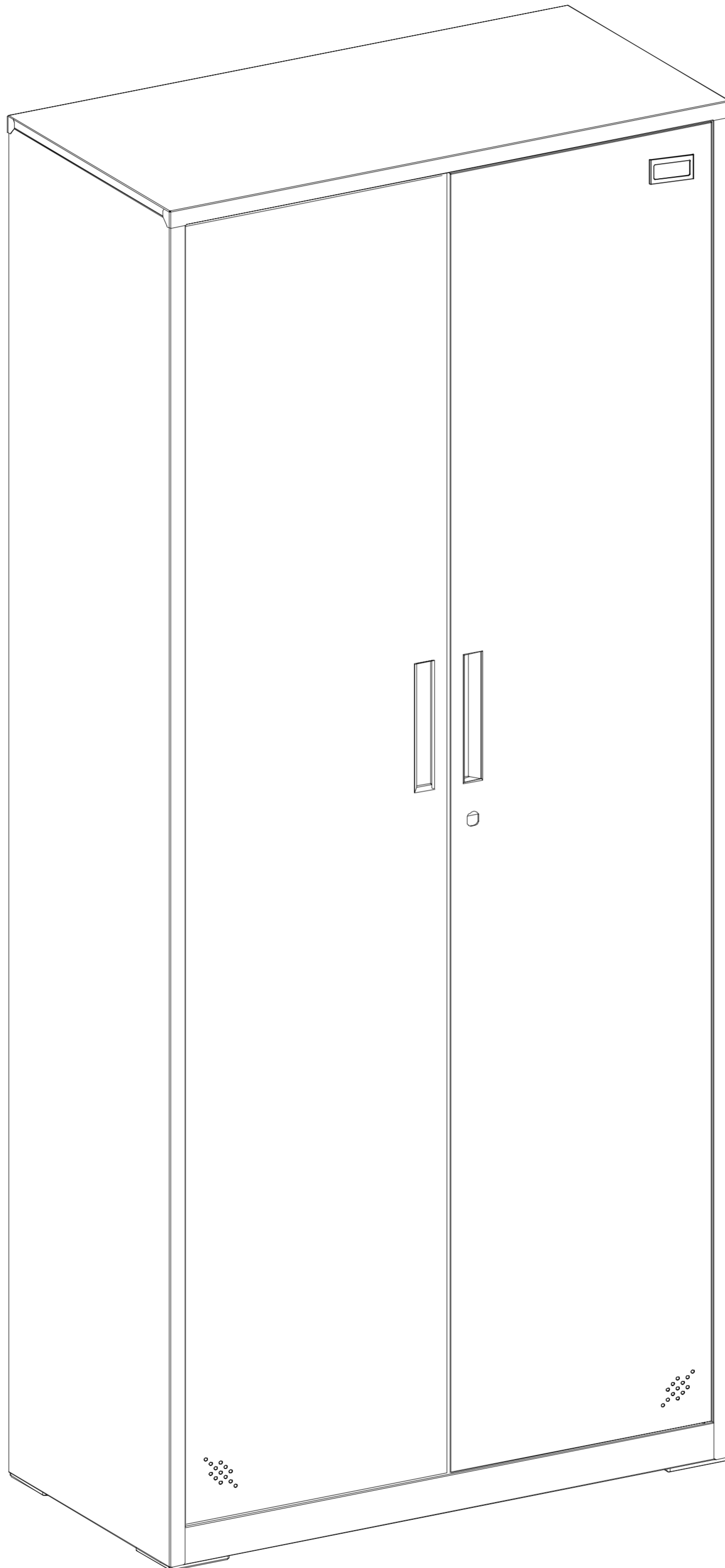


HFC0001BK

HFC0001WT



HIGH FILE CABINET

General Guidelines

- Please read the following instruction carefully and use the product accordingly.
- Please keep this manual and hand it over when you transfer the product.
- This summary may not include every detail of all variations and considered steps. Please contact us when further information and help are needed.

Notes

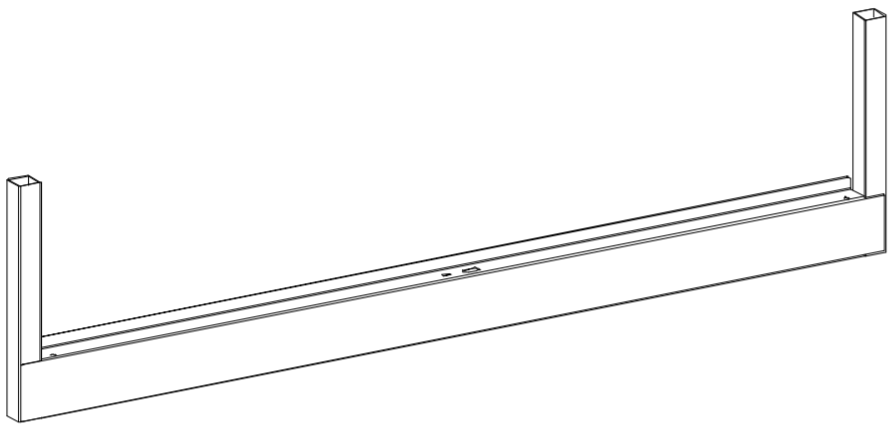
- The product is intended for office or home use; the seller does not assume any responsibility or liability with respect to any injury caused by improper use.
- Please assemble the product on a clean blanket or flat floor, don't place the product on uneven ground with sharp objects to avoid damage.
- It is suggested to assemble the item with two people.
- Pay attention to sharp corners during use to avoid personal injury.
- It is forbidden to sit or stand on the product, or use it as a ladder or climbing tool.
- Gently open and close the door to avoid pinching fingers.
- Please wipe the cabinet with a soft towel to remove dust or stains, do not use abrasive cleaning tools.
- Don't expose the product to direct sunlight or a humid environment to keep from aging the product surface.
- When the weight is evenly distributed, the maximum static load capacity of each shelf is 82 kg (180 lb).

Warnings

- This product is not intended for use by children under 3 years of age. Children must be under adult supervision to use the product.
- Children should not climb on or play near the product in order to avoid tipping over the product and causing serious injury.
- During assembly, keep the metal or small parts out of the reach of the children. It may be fatal if swallowed or inhaled.
- To avoid the potential dangers of suffocation, please keep all parts and packaging (film, plastic bags, foam, etc.) away from babies and children.
- Please fix the product to the wall with the anti-toppling kit to add safety.

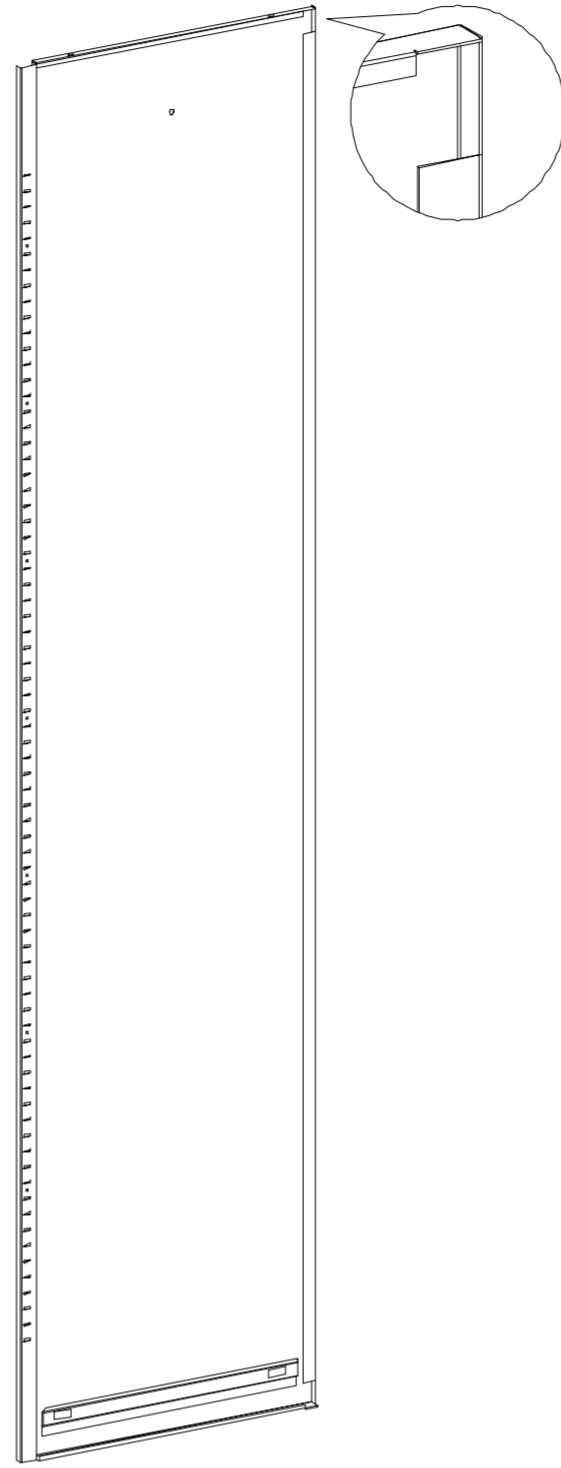
A

x1



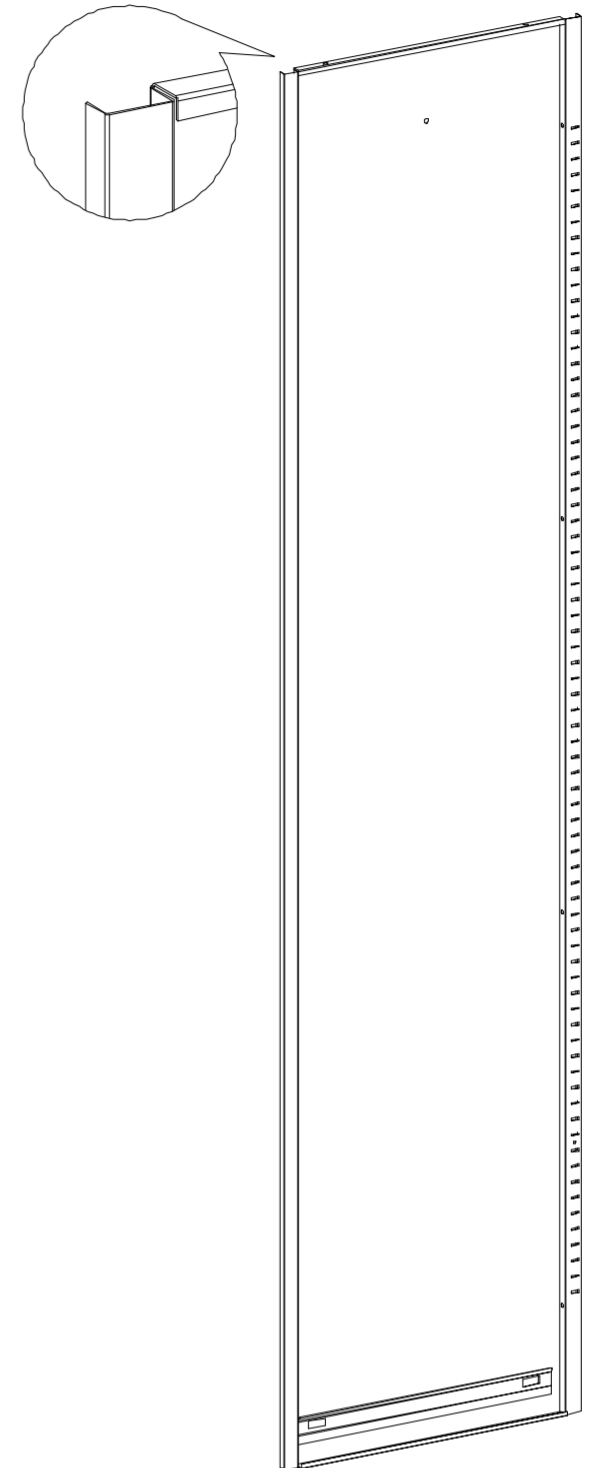
B

x1



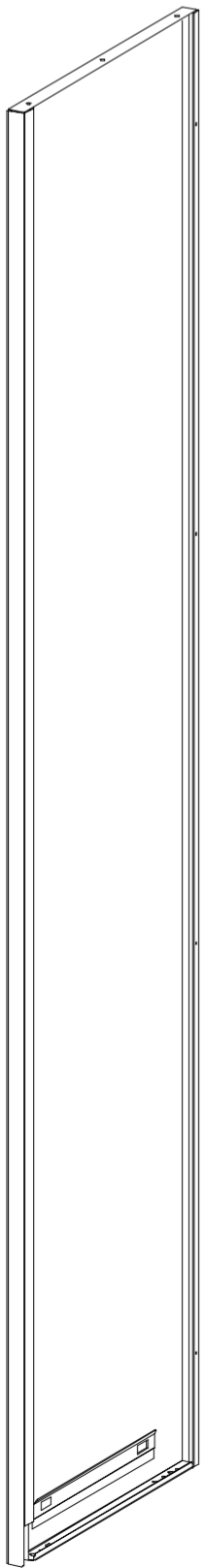
C

x1



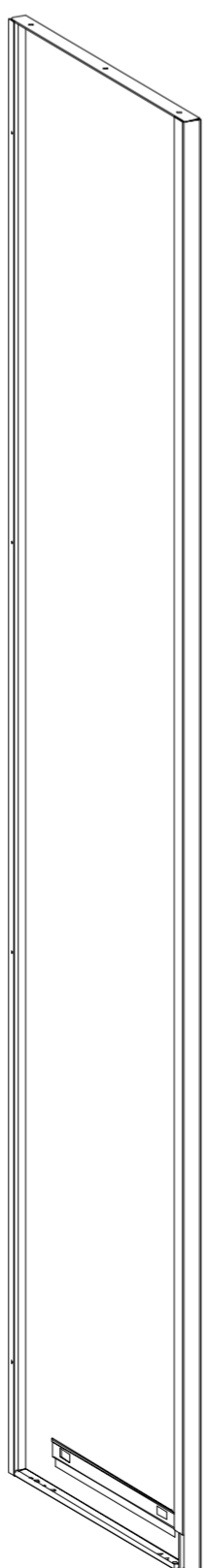
D

x1



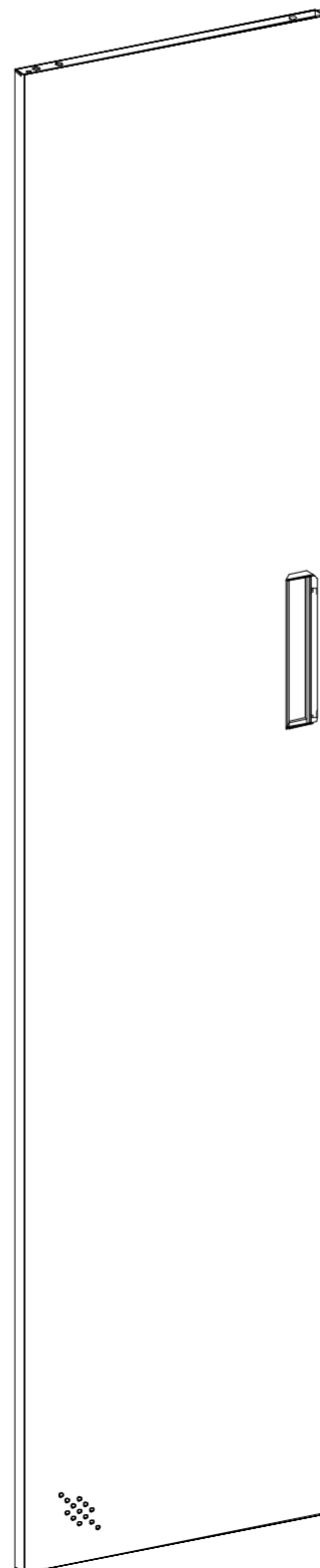
E

x1



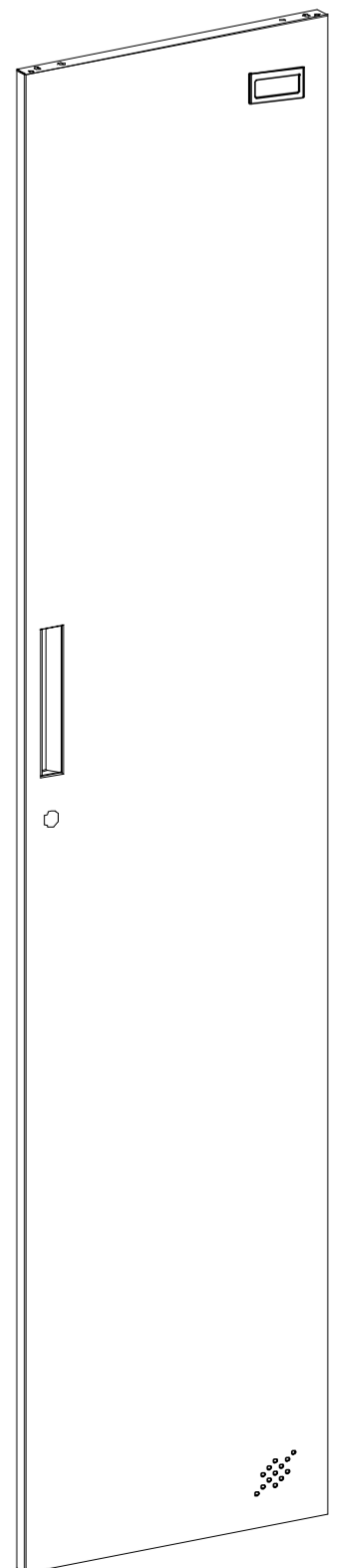
F

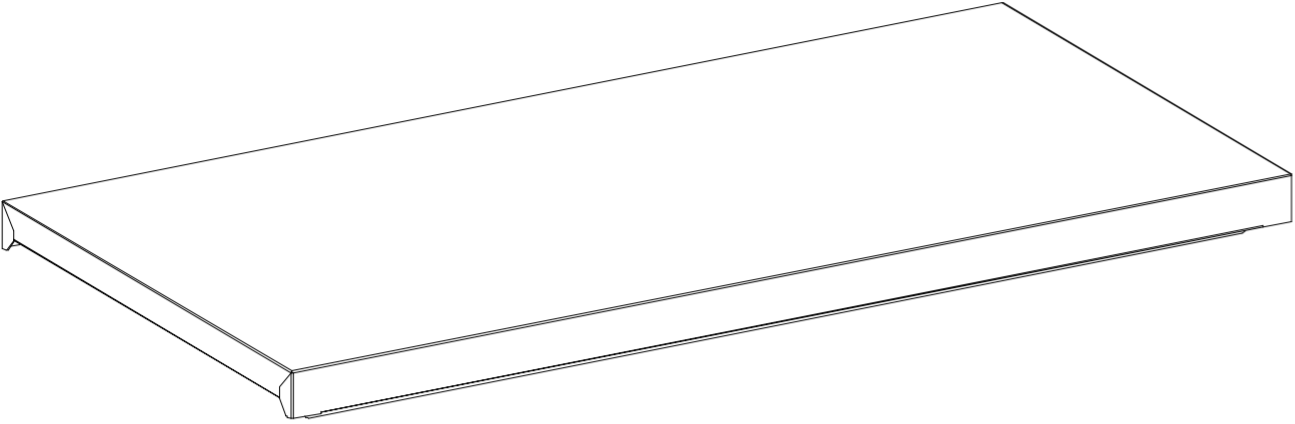
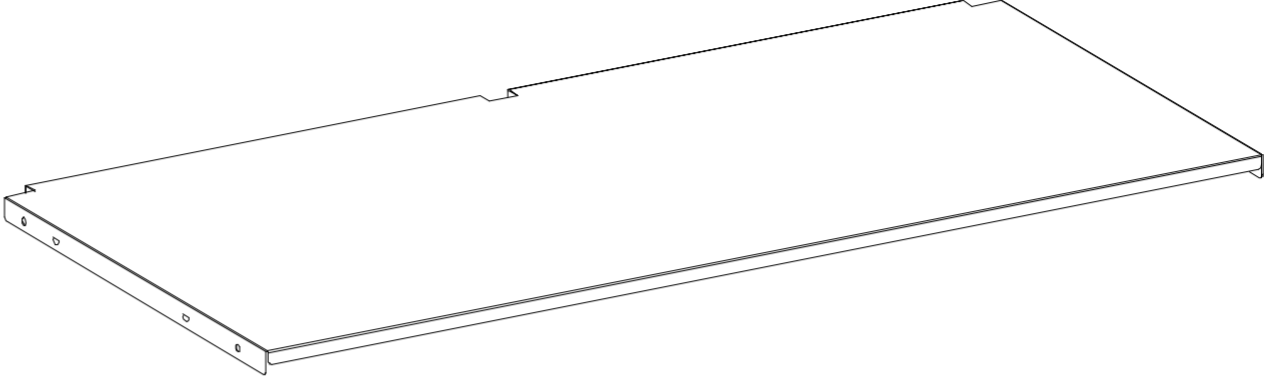
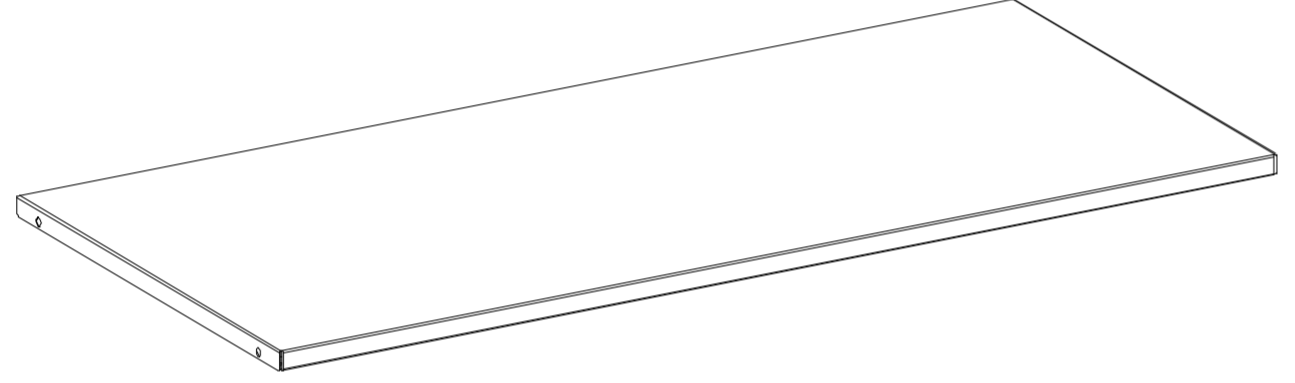
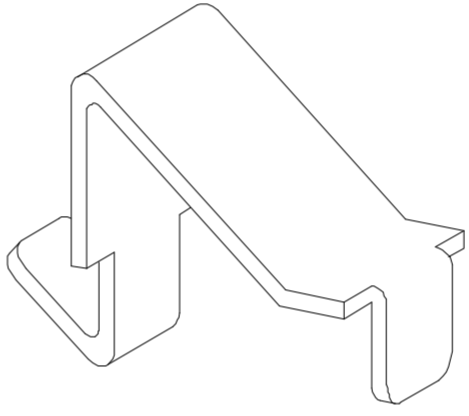
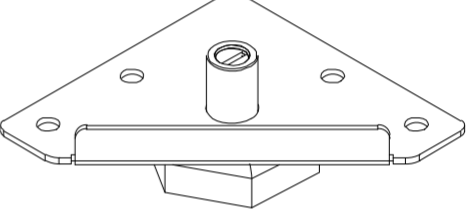
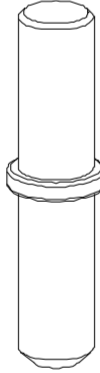

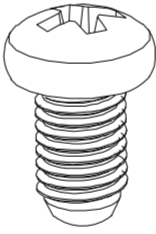
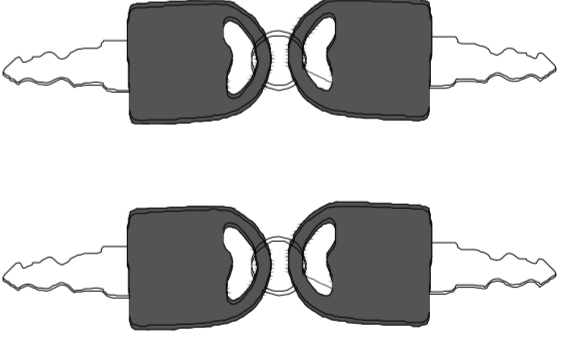
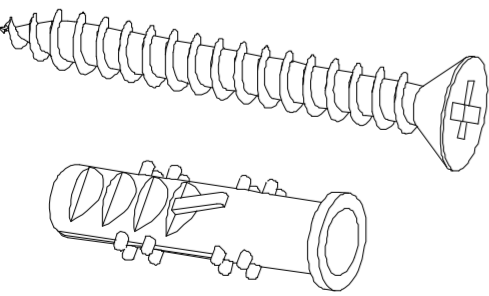
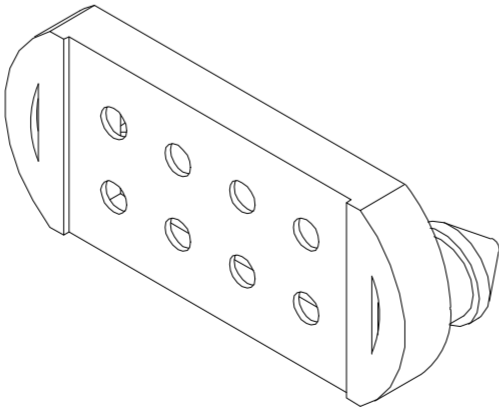
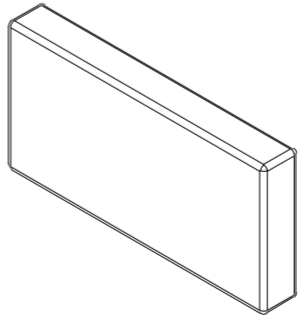
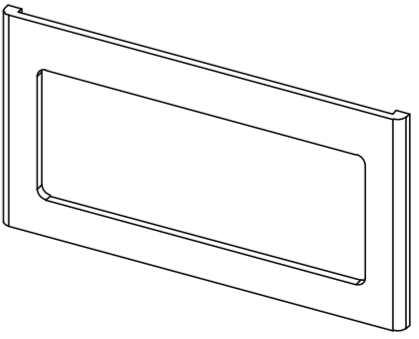
x1

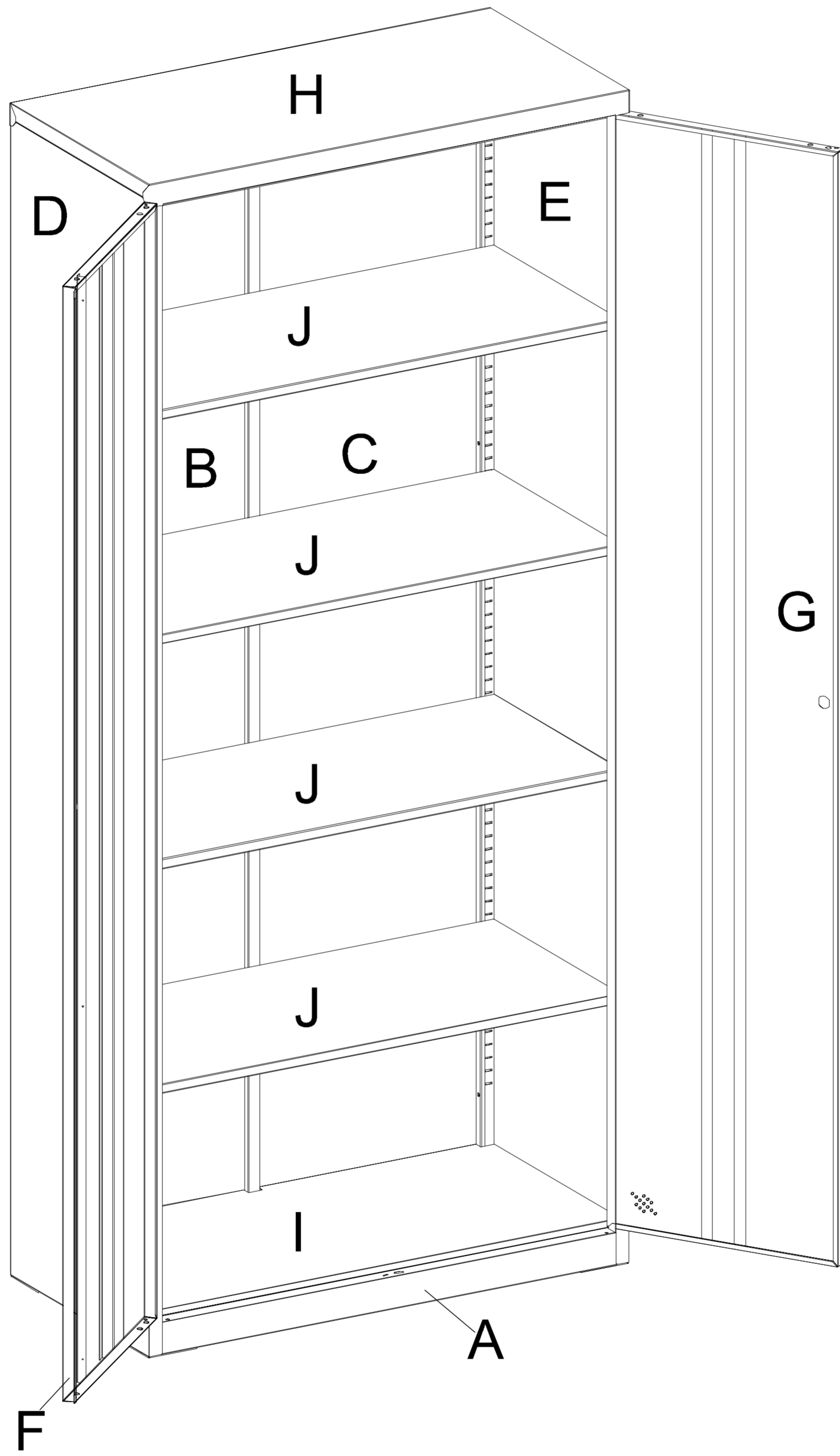


G

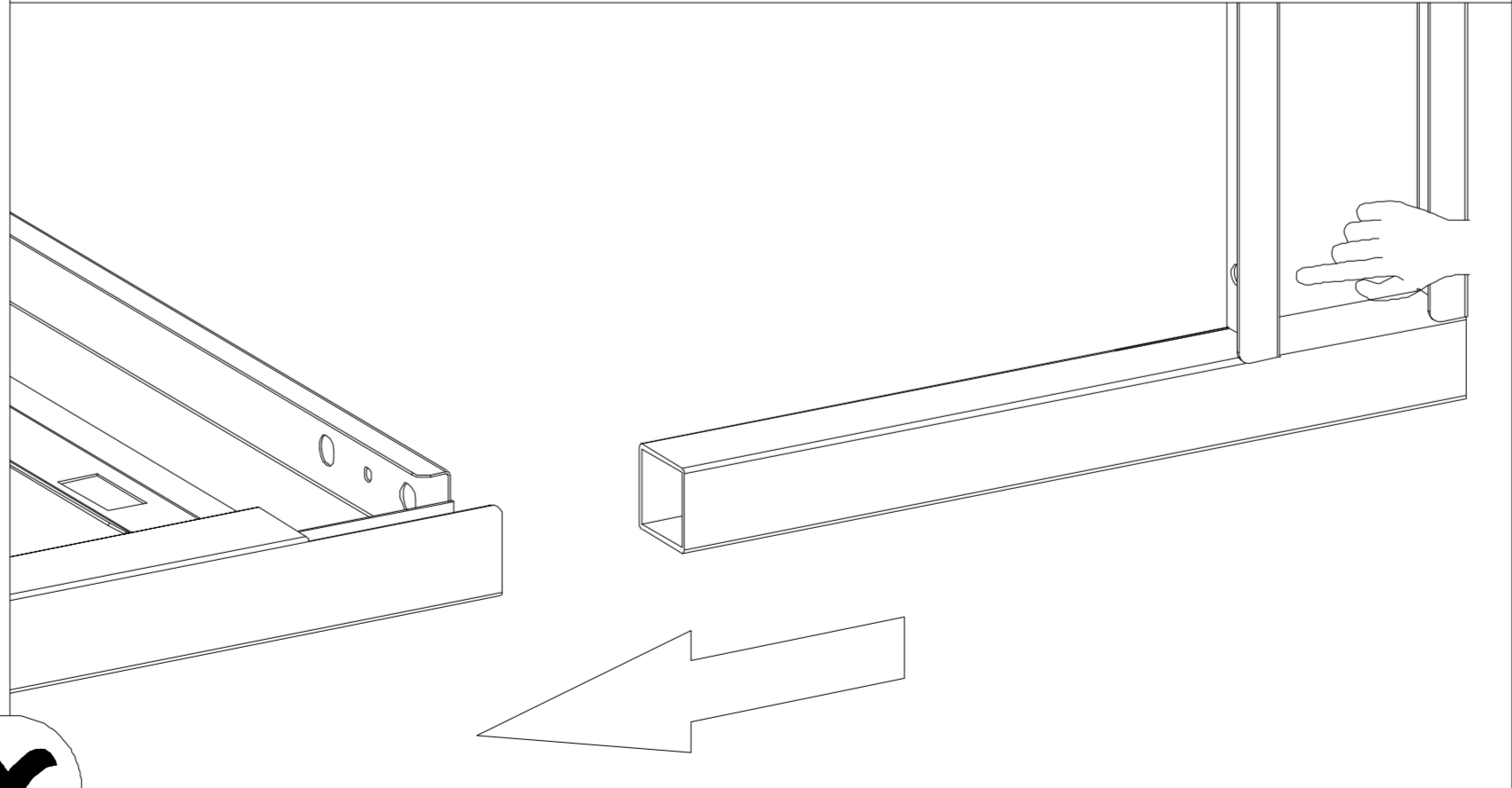
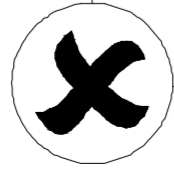
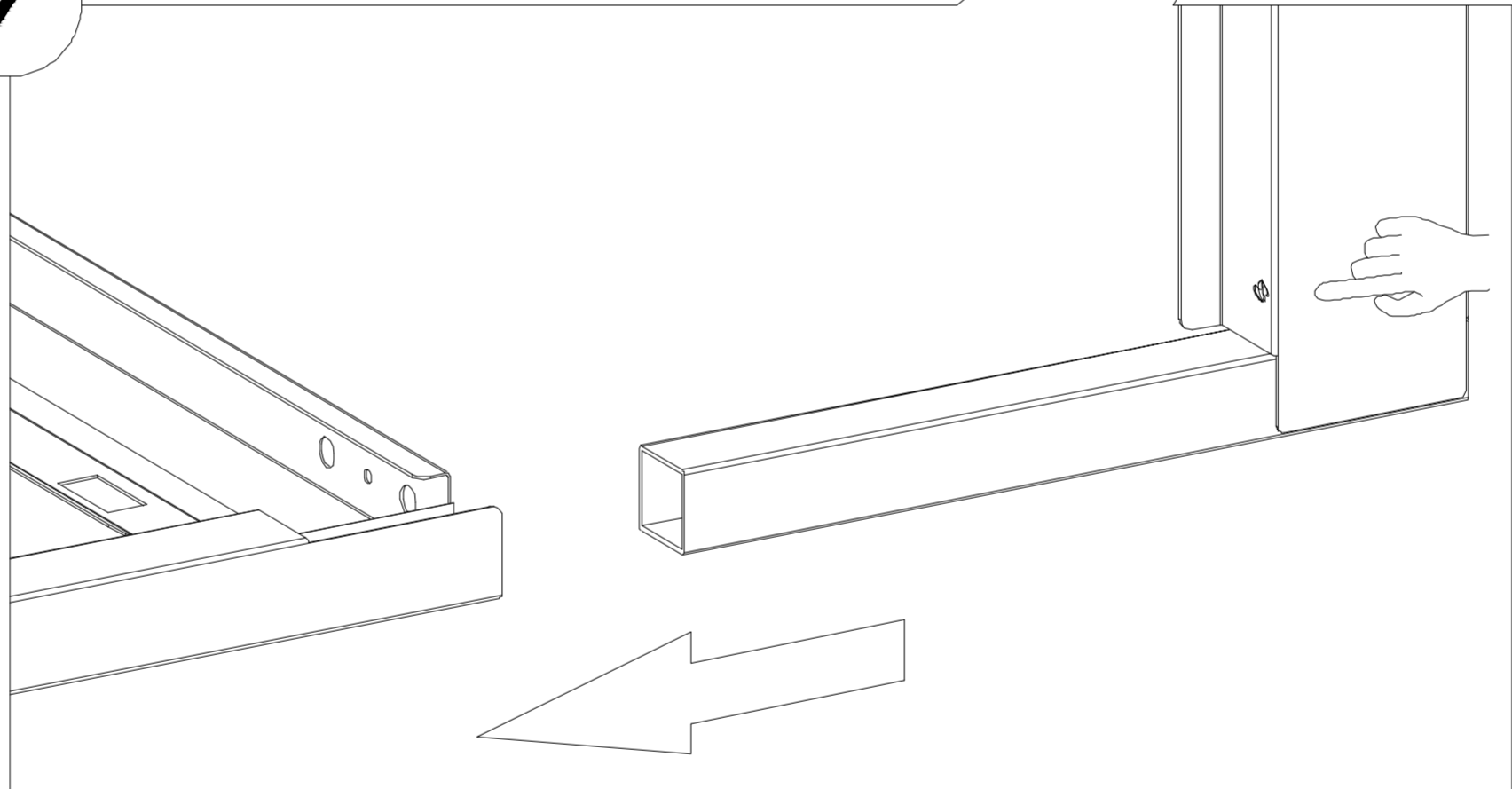
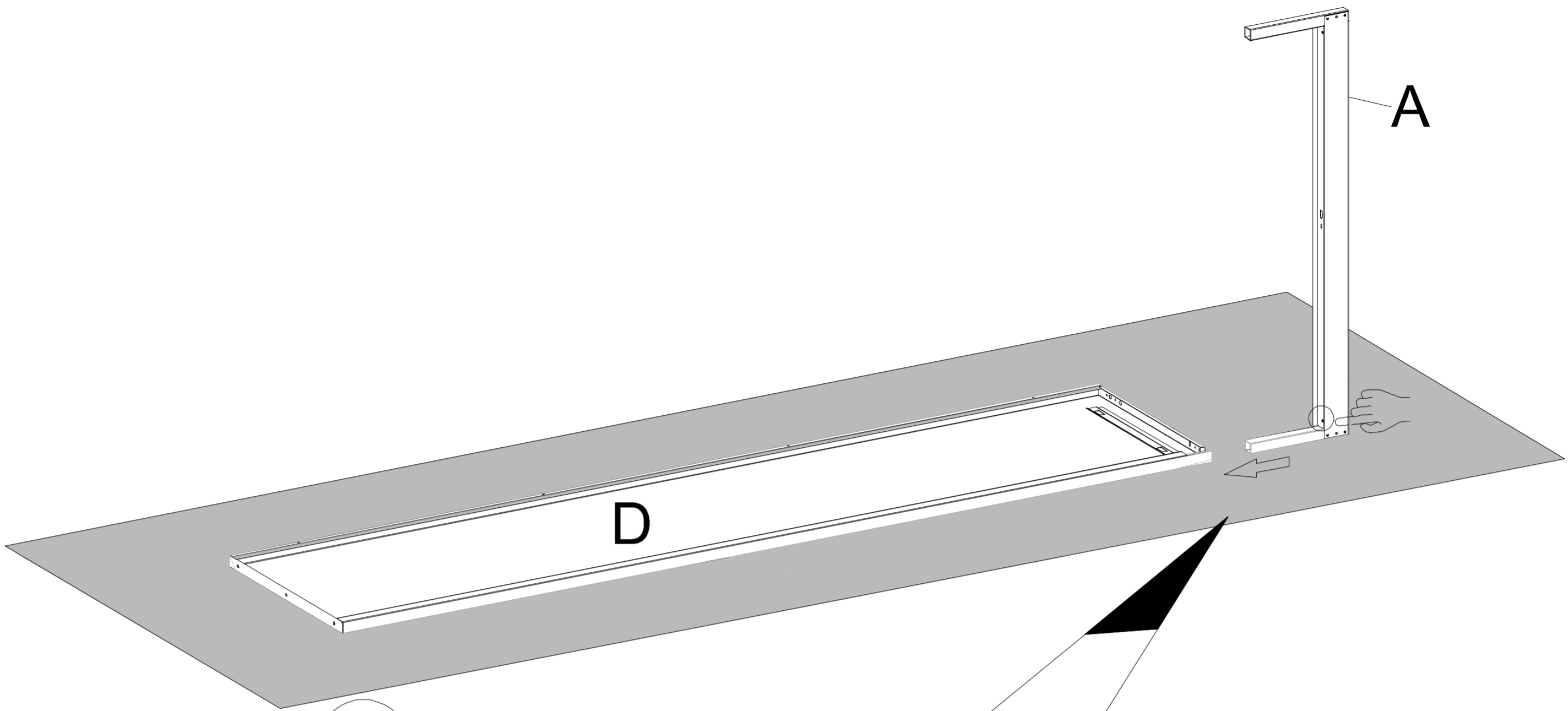
x1



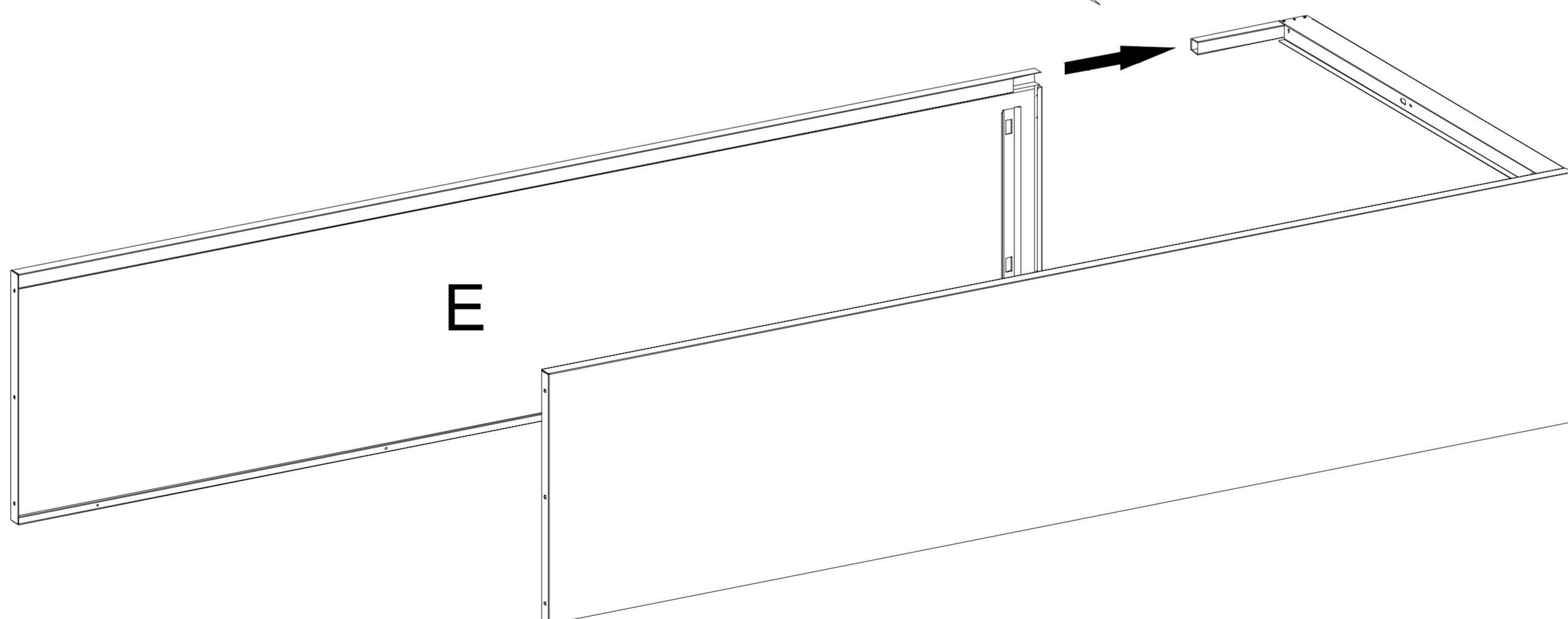
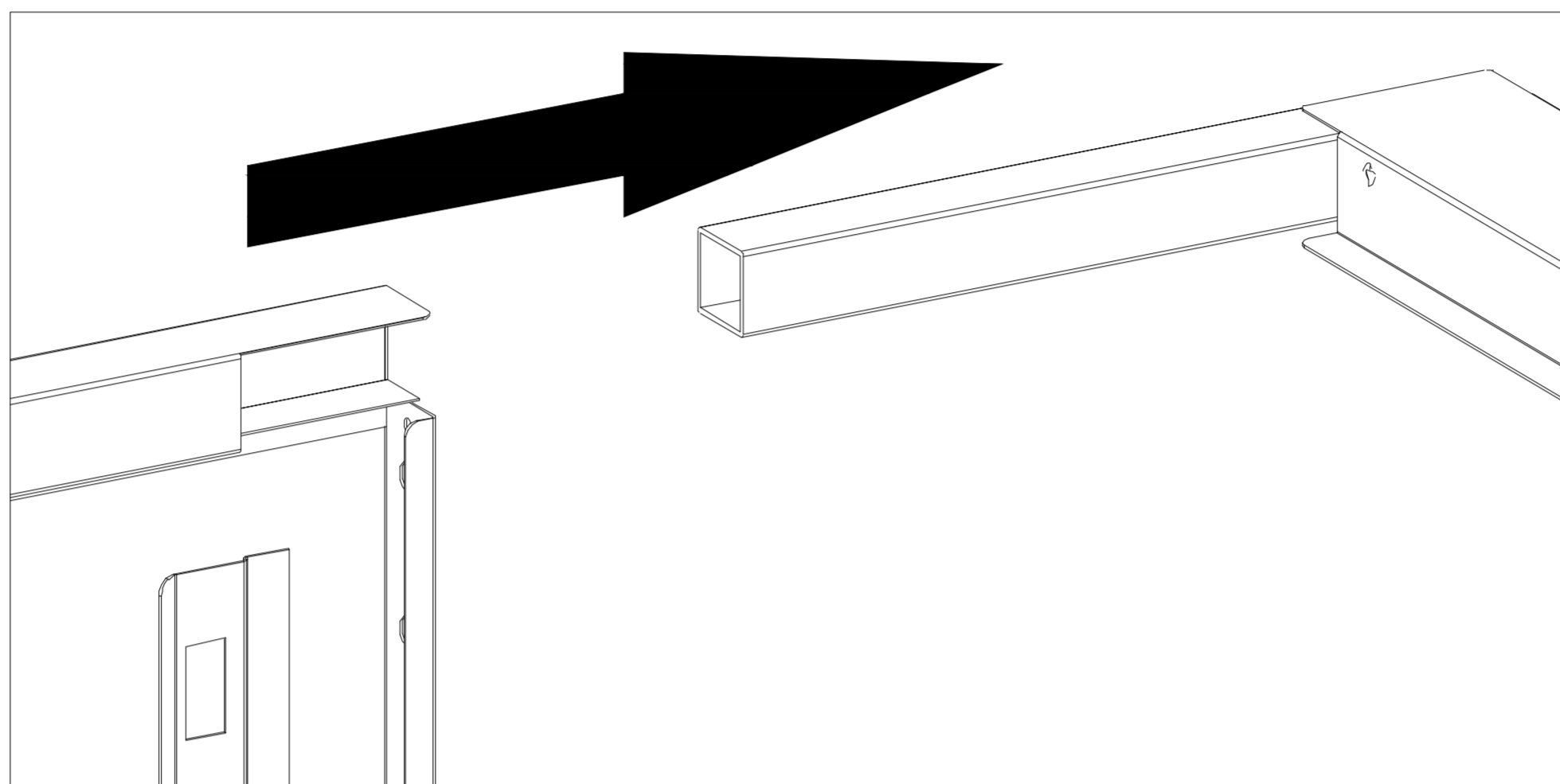
<p>H x1</p> 	<p>I x1</p> 		
<p>J x4</p> 	<p>K 16+2</p> 	<p>L x4</p> 	
<p>M 2+1</p> 	<p>N 2+2</p> 	<p>O 36+2</p> 	<p>P x4</p> 
<p>Q x2</p> 	<p>R x4</p> 	<p>S x4</p> 	<p>T x1</p> 



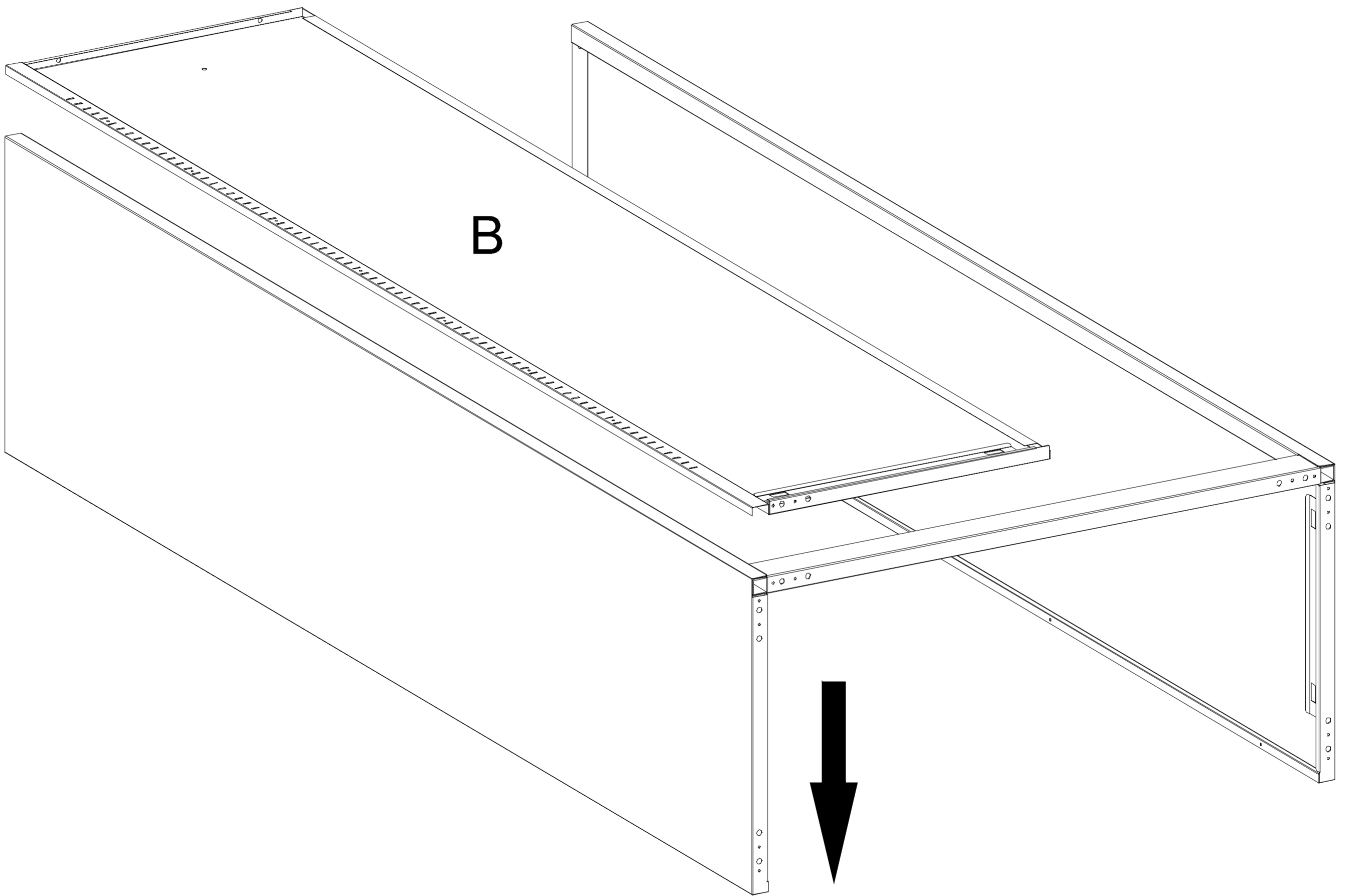
STEP 1



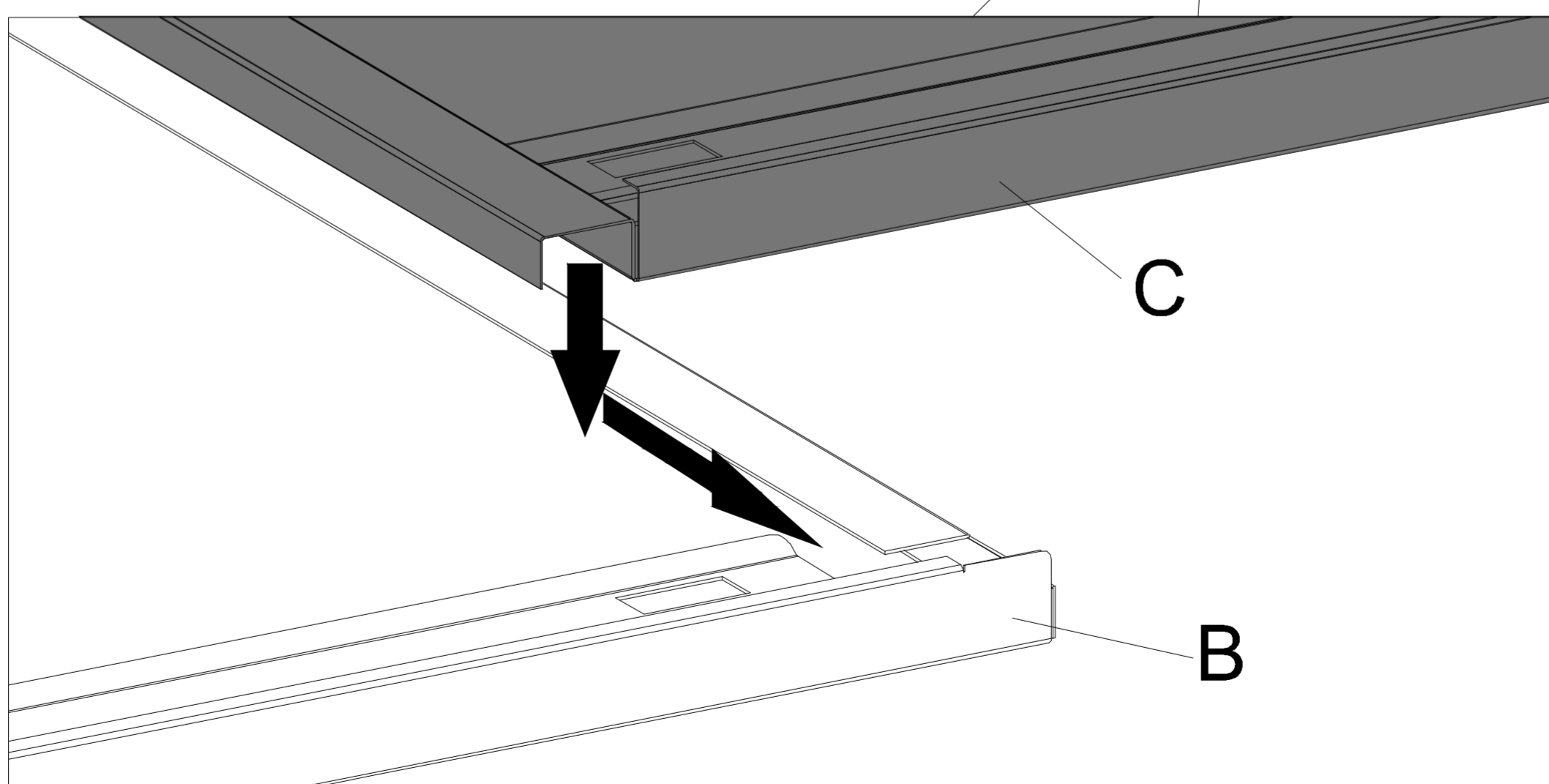
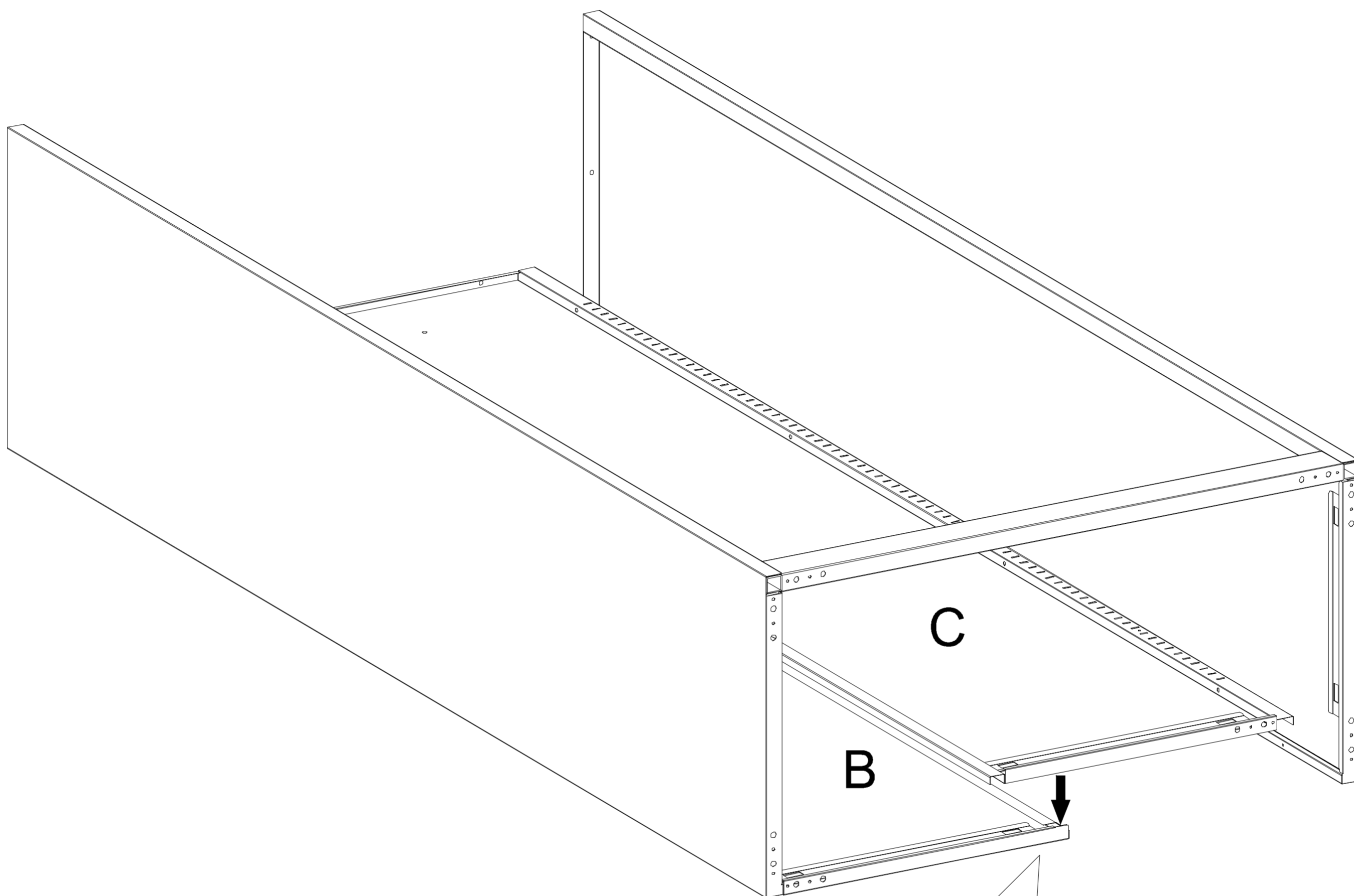
STEP 2



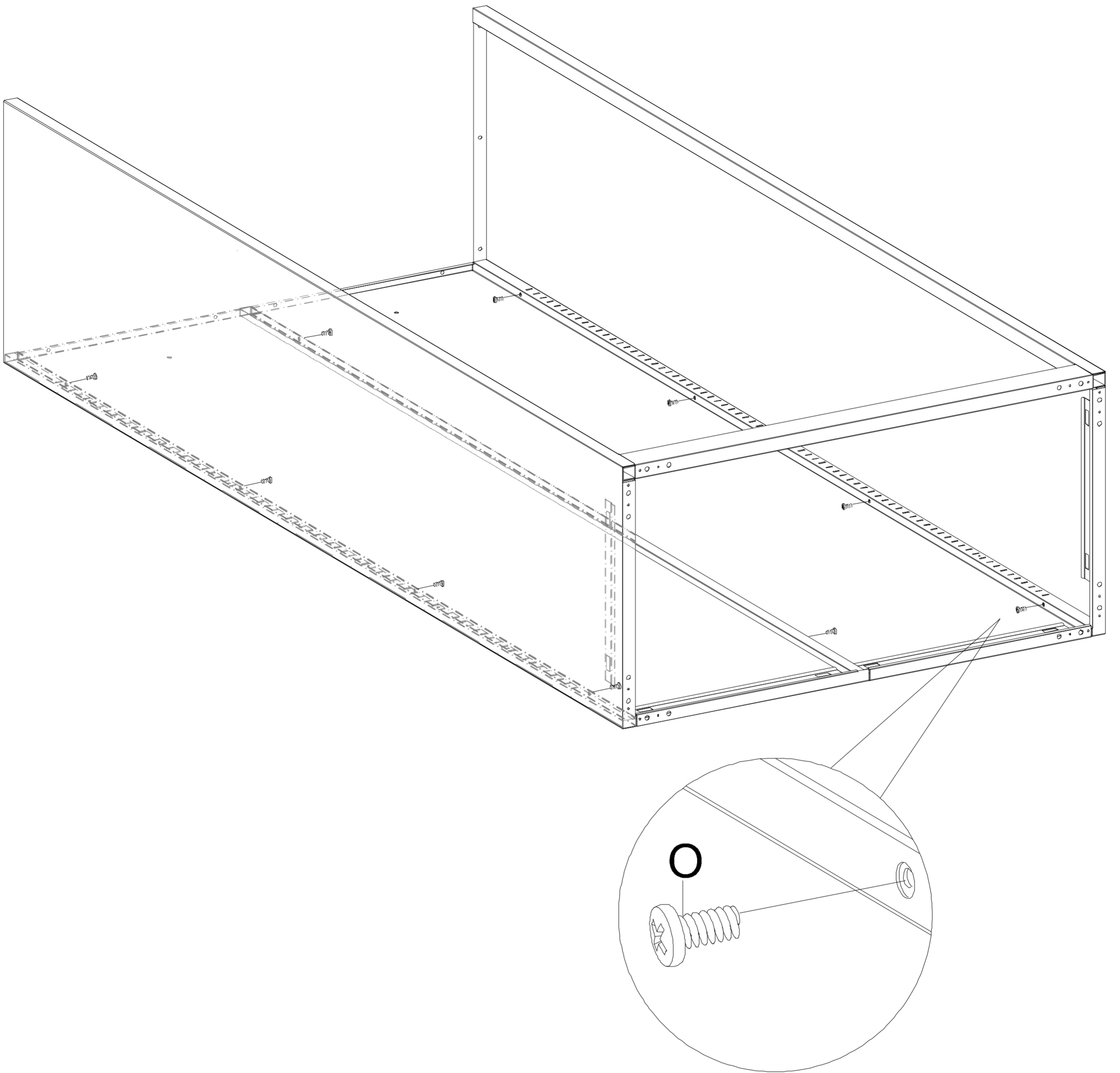
STEP 3



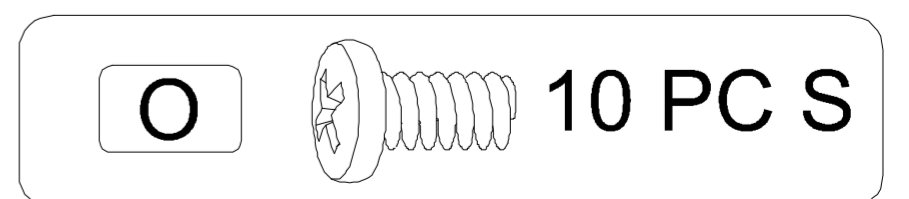
STEP 4



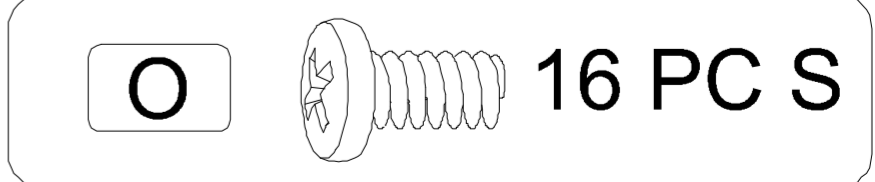
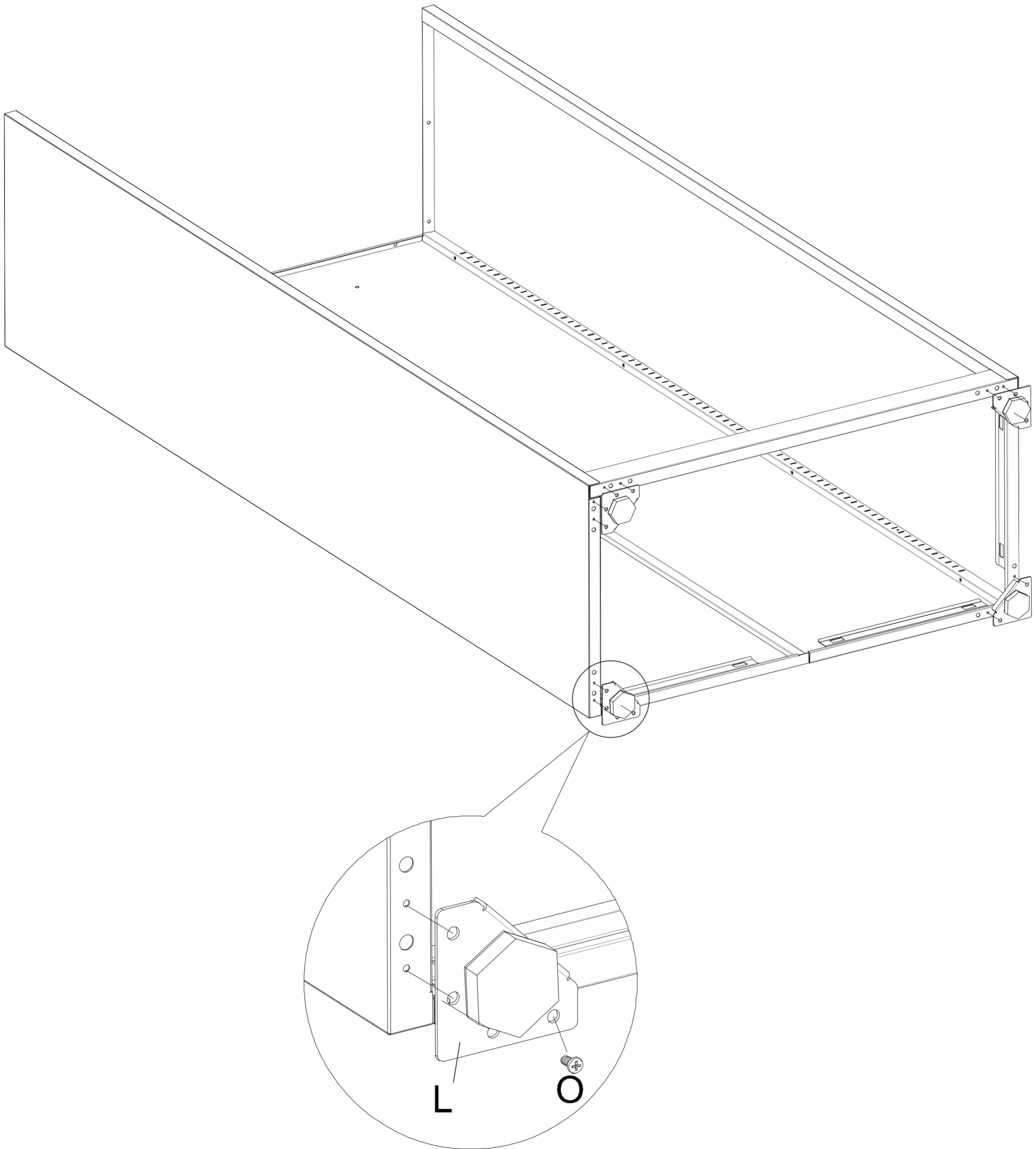
STEP 5



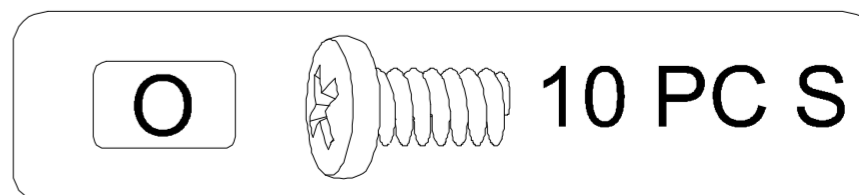
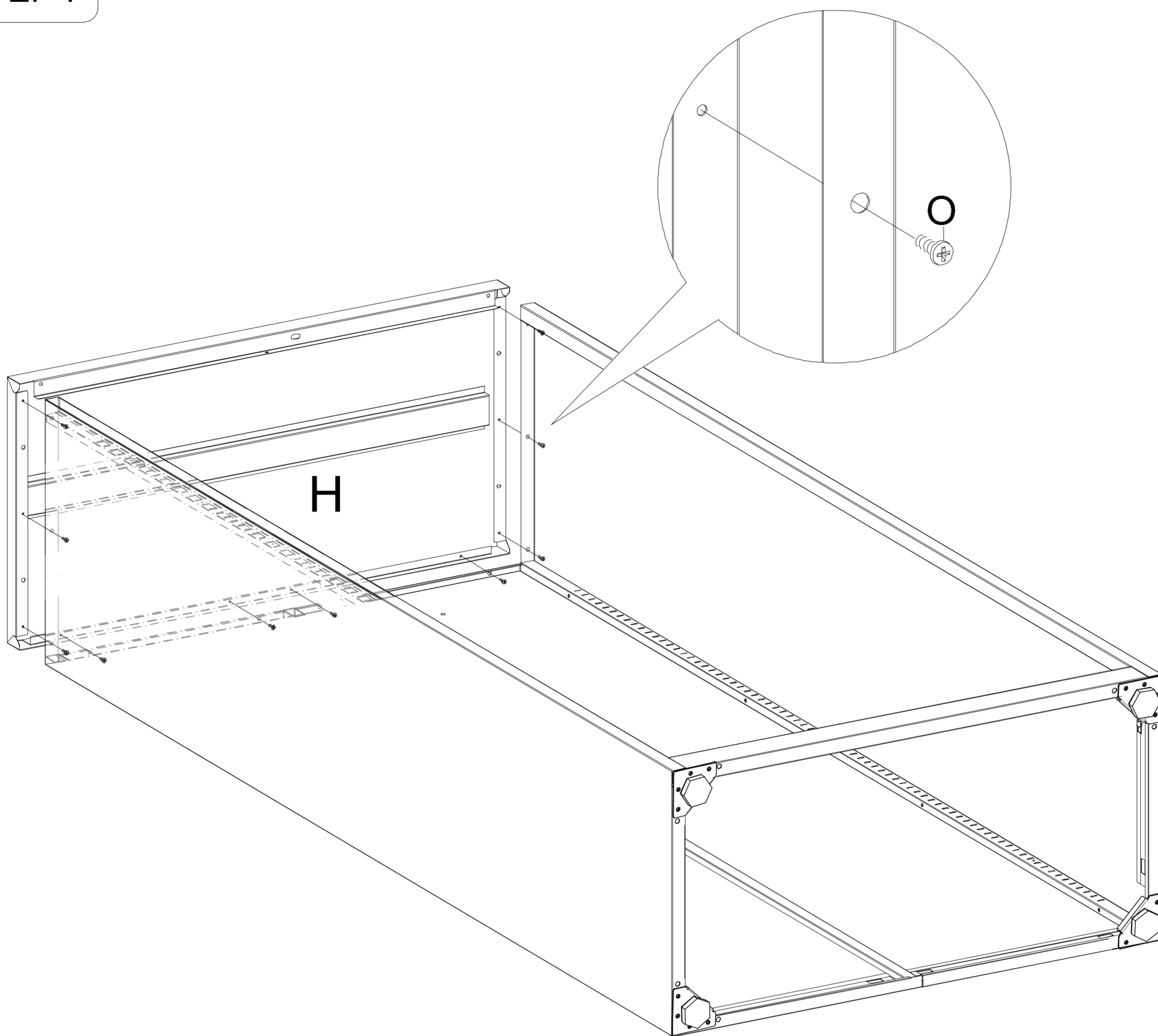
- It is suggested to use an electric drill when installing the screws.



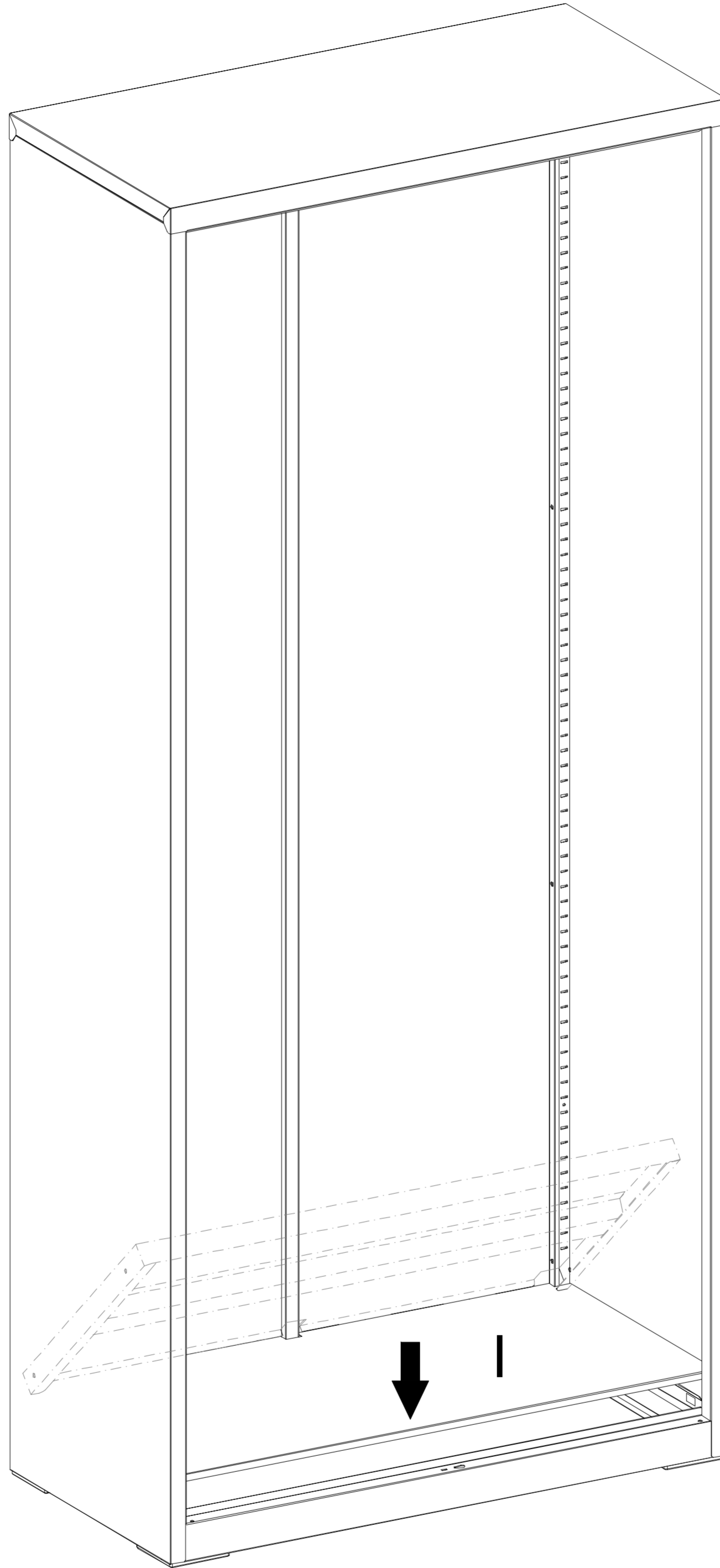
STEP 6



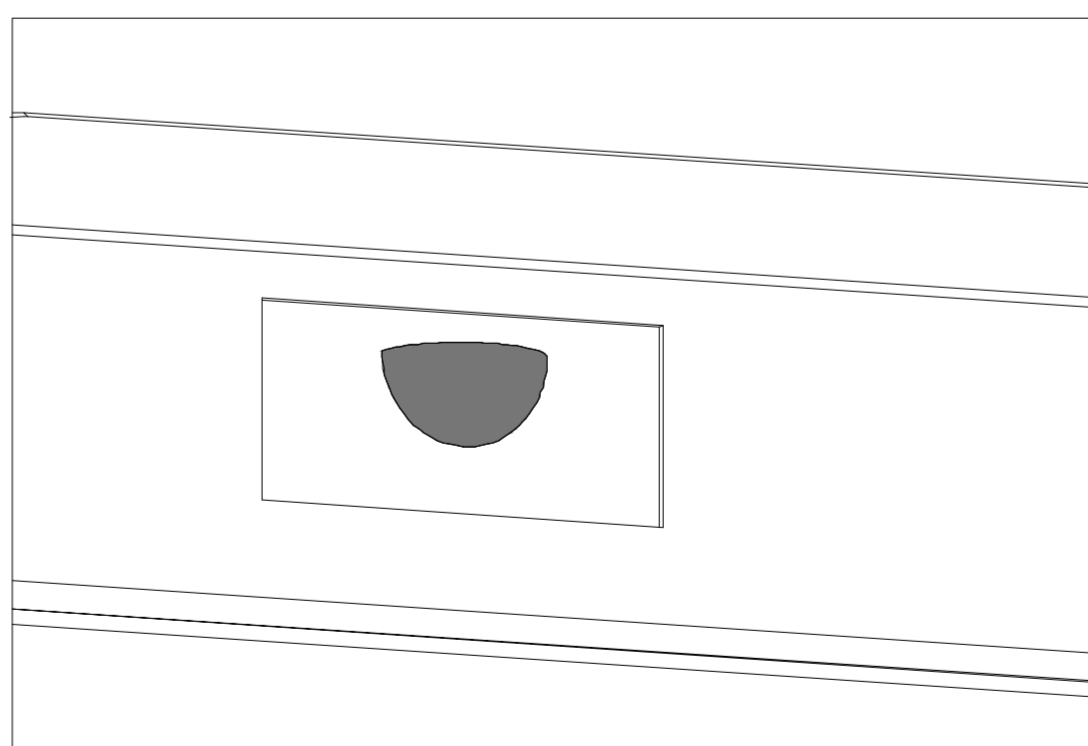
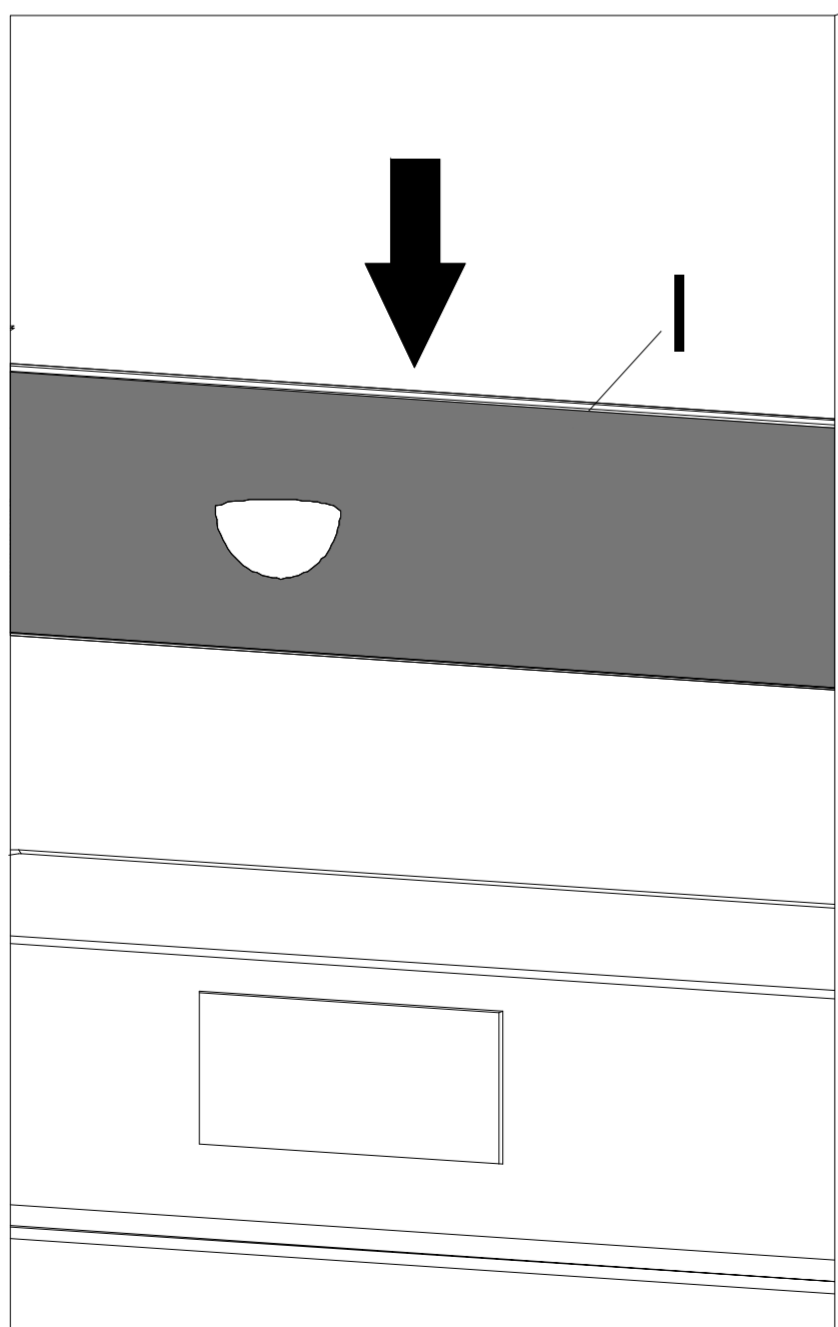
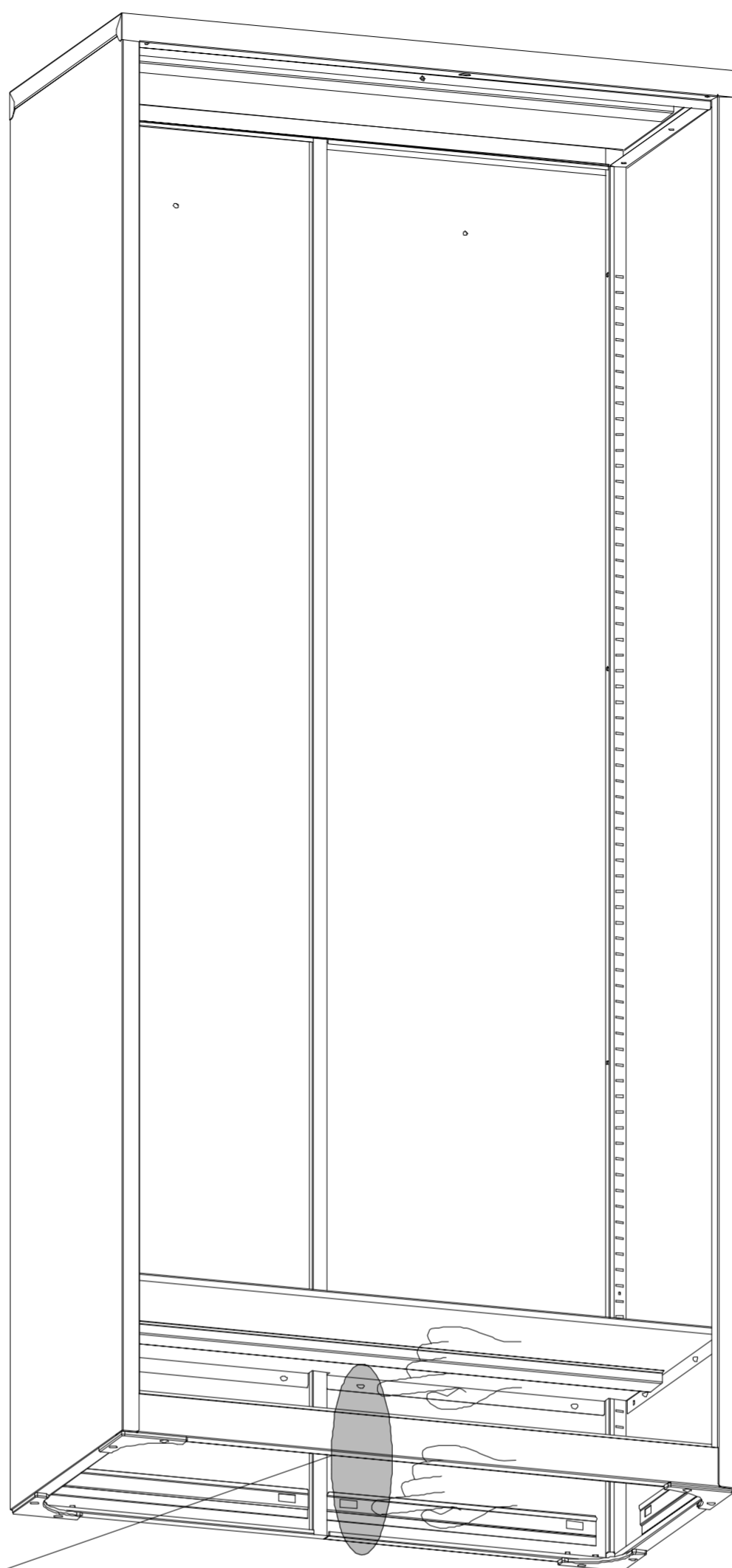
STEP 7



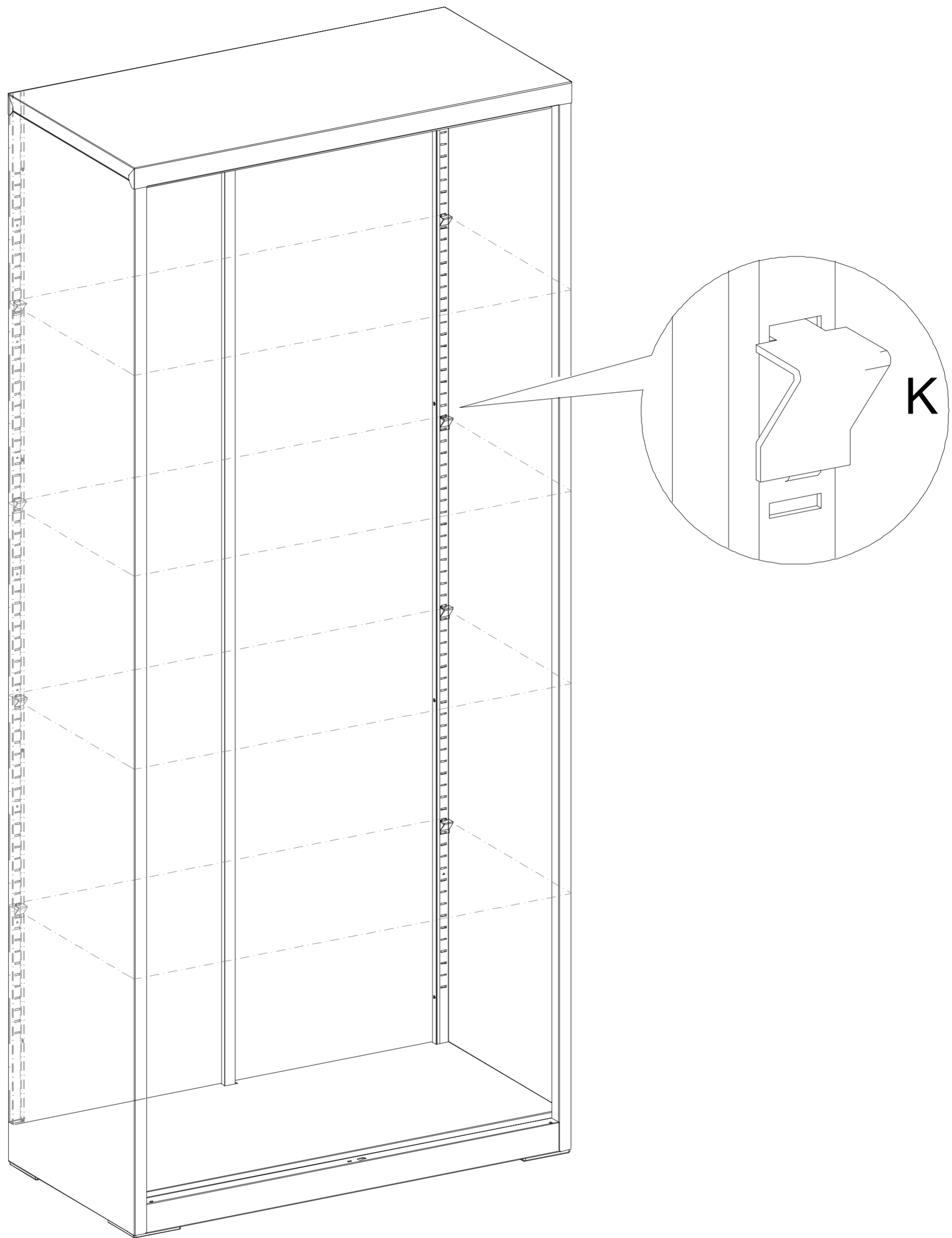
STEP 8




STEP 9

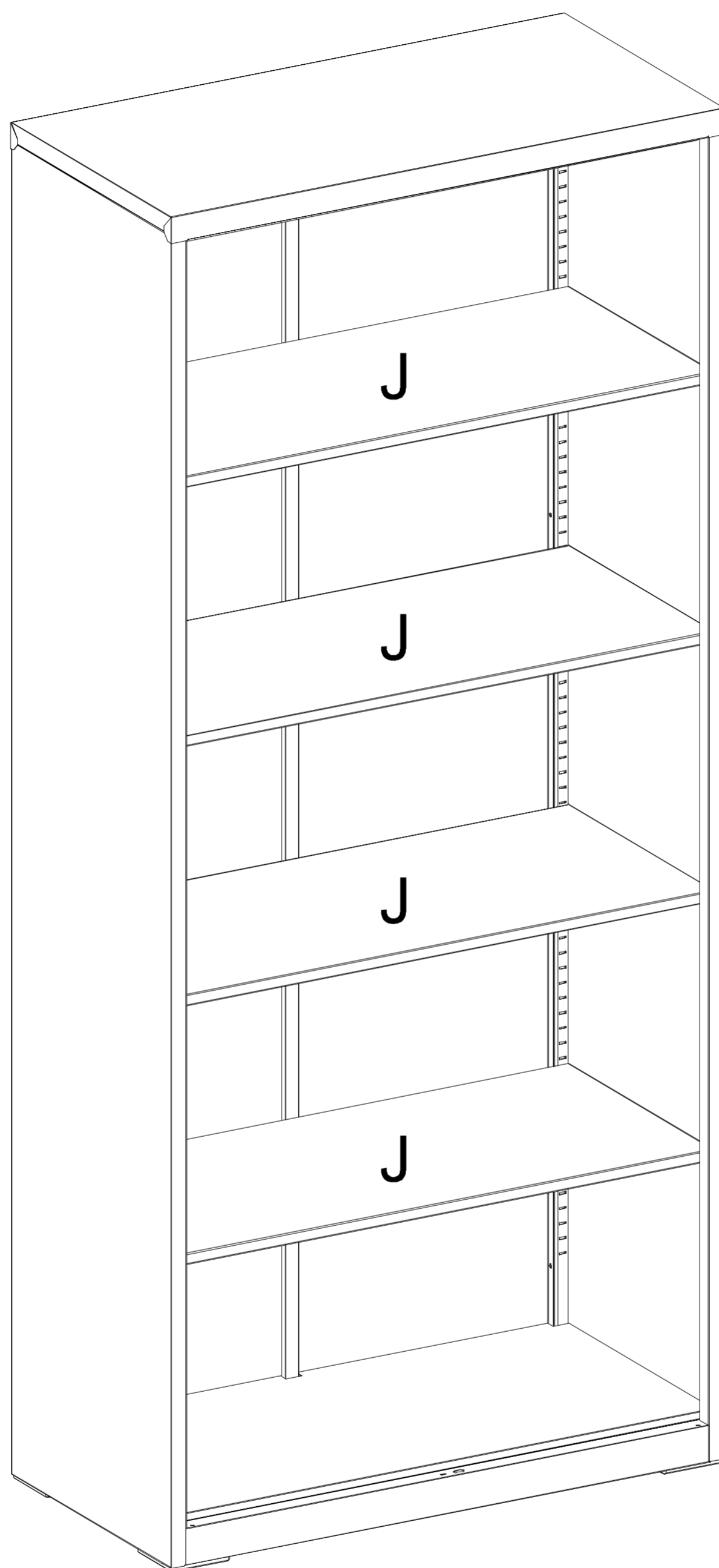


STEP 10

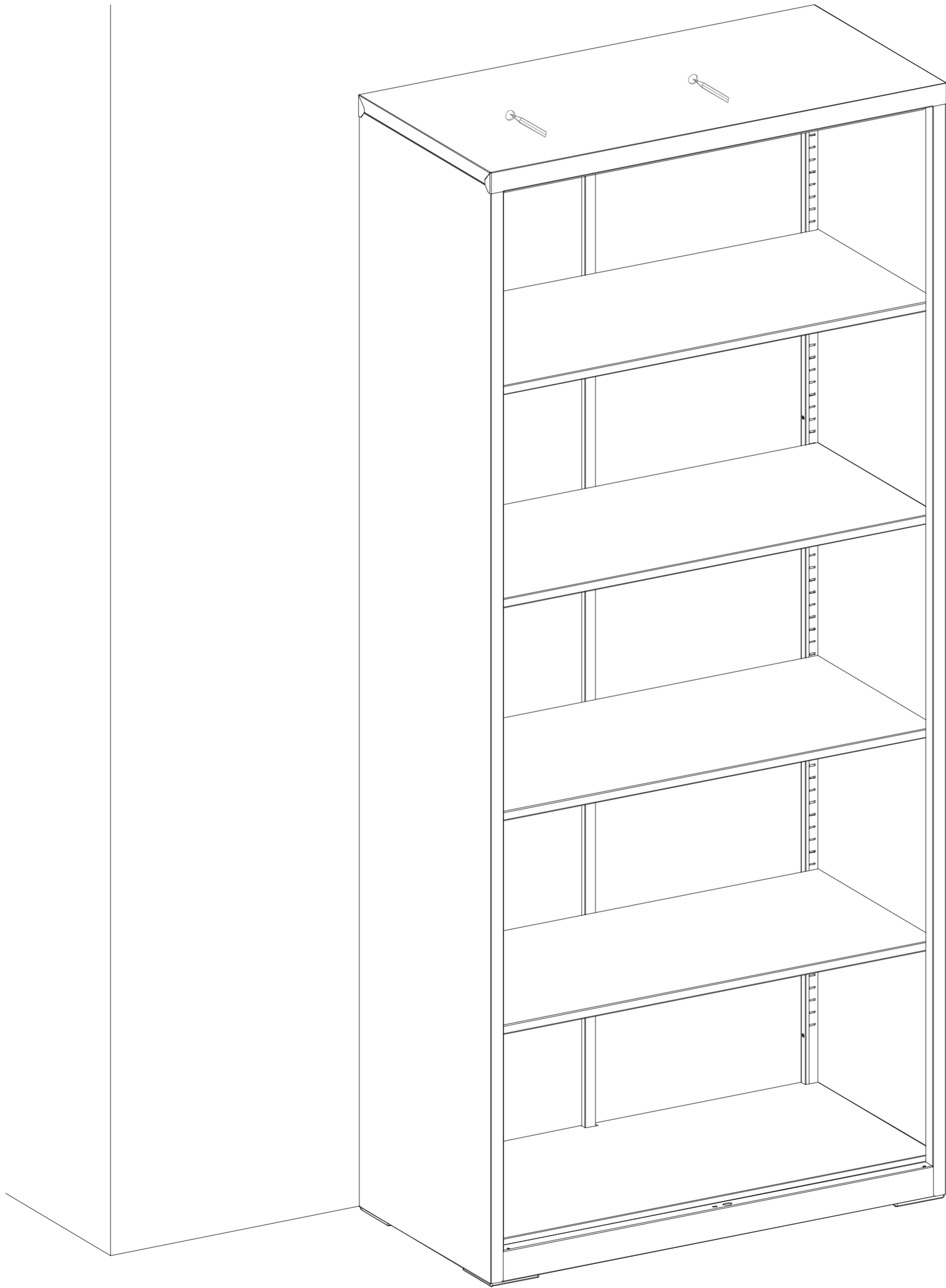


K  **16 PC S**

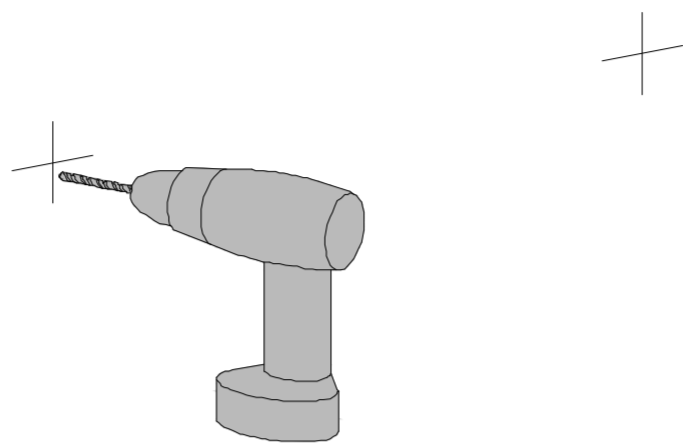
STEP 11



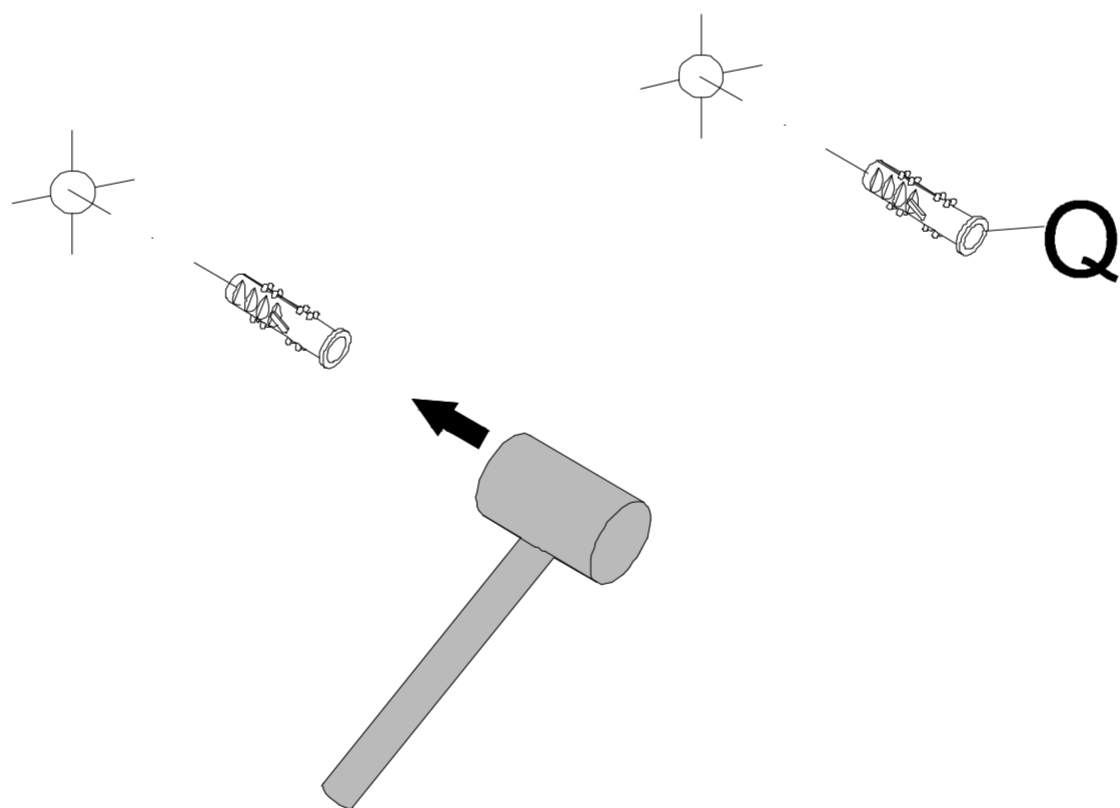
STEP 12

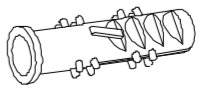


STEP 13

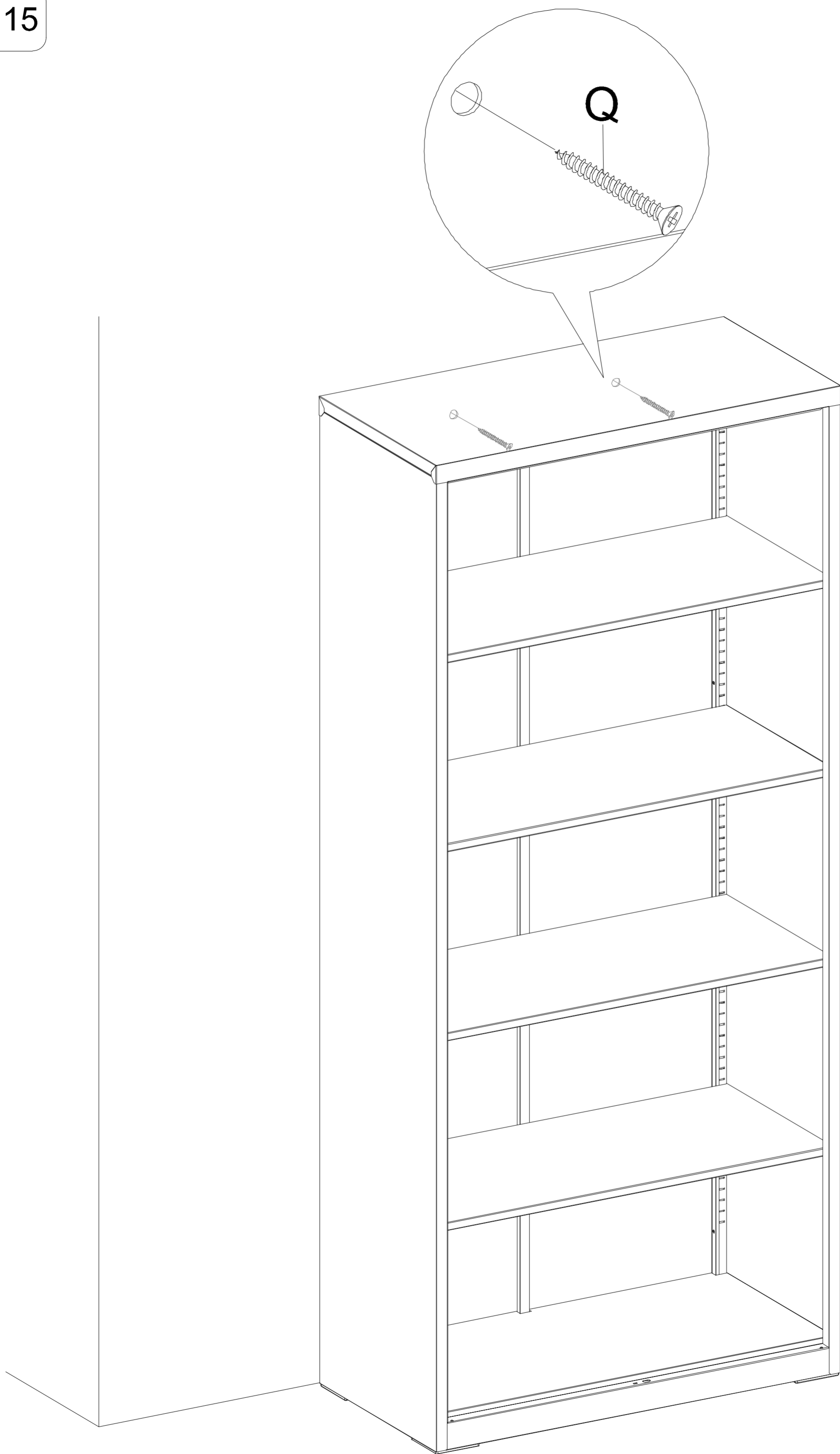



STEP 14



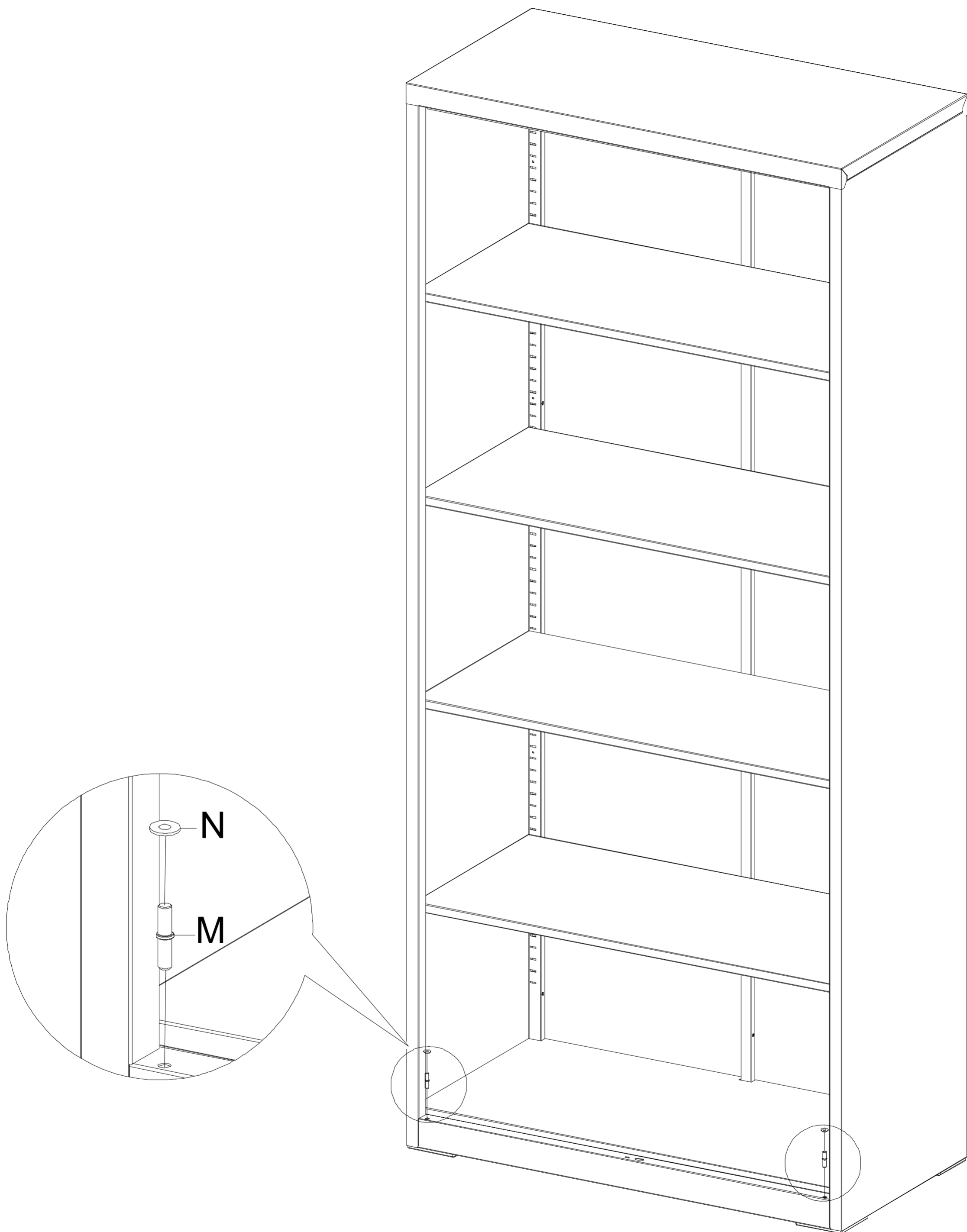
Q  2 PCS


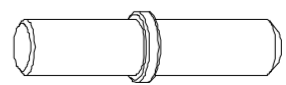
STEP 15



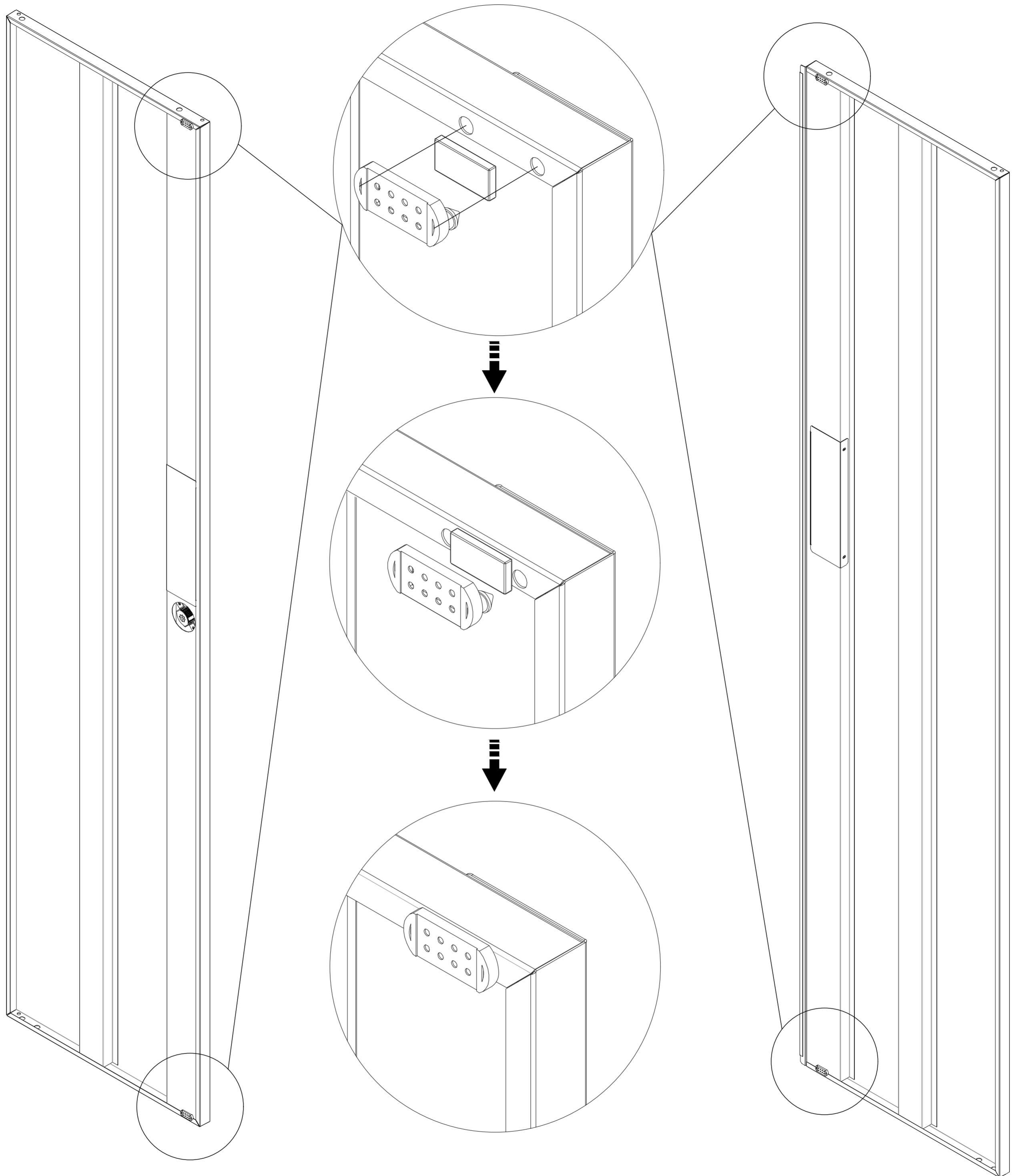
Q  2 PC S

STEP 16

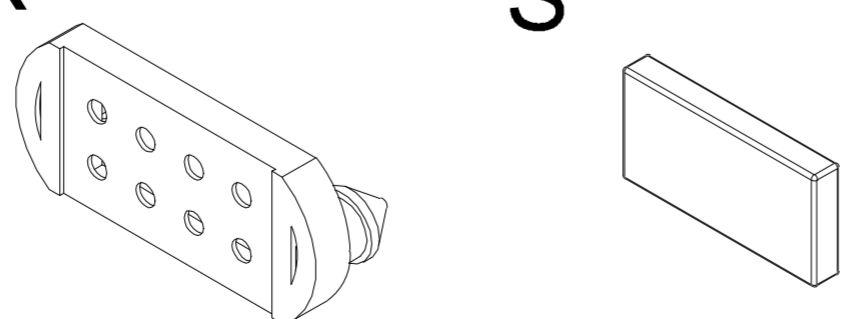


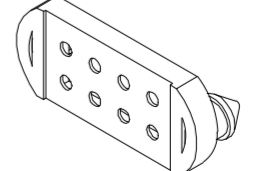
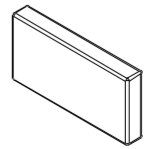
N		2 PCS
M		2 PCS

STEP 17

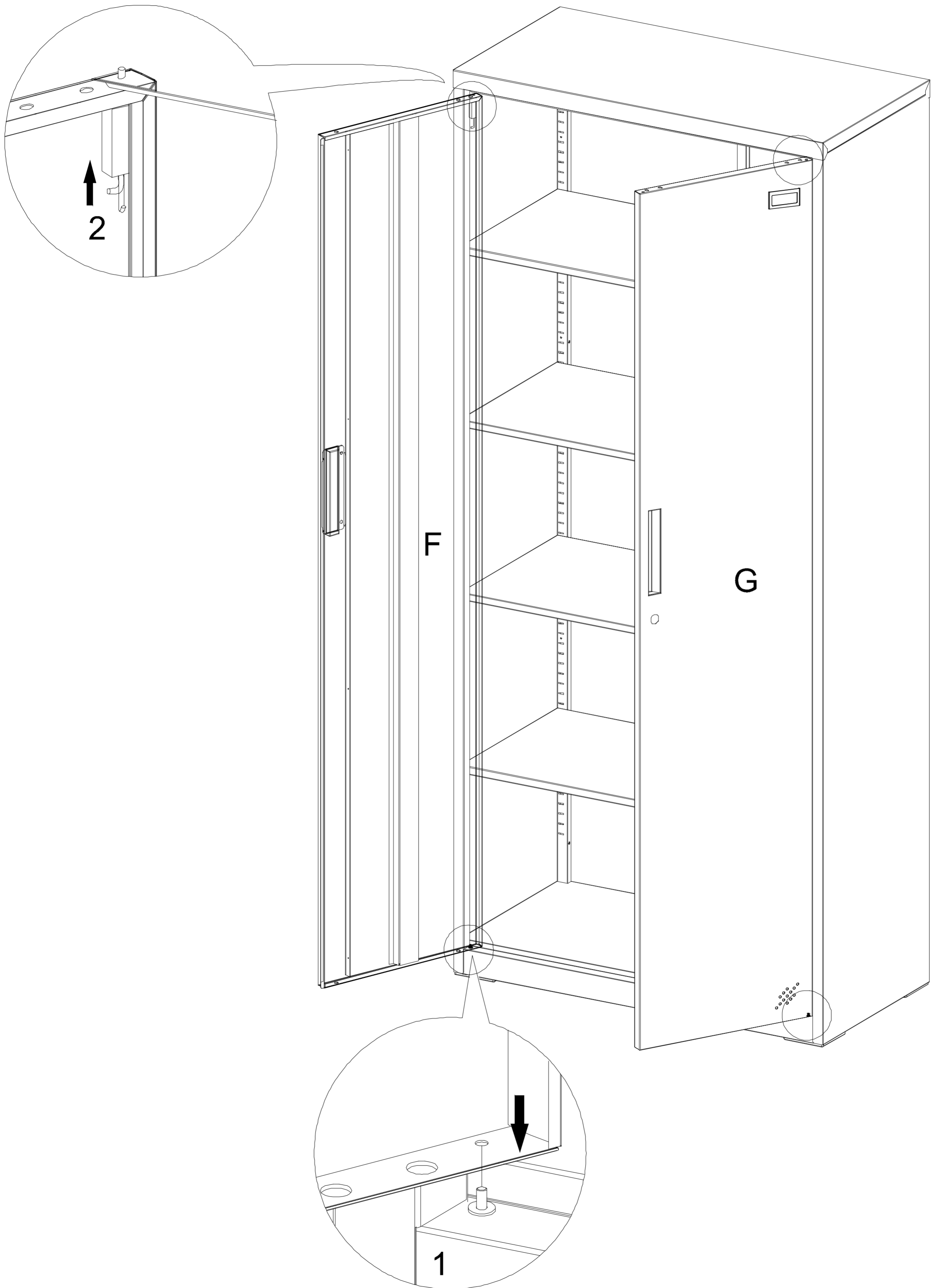


R x4 S x4



R		4 PCS
S		4 PCS

STEP 18



STEP 19

