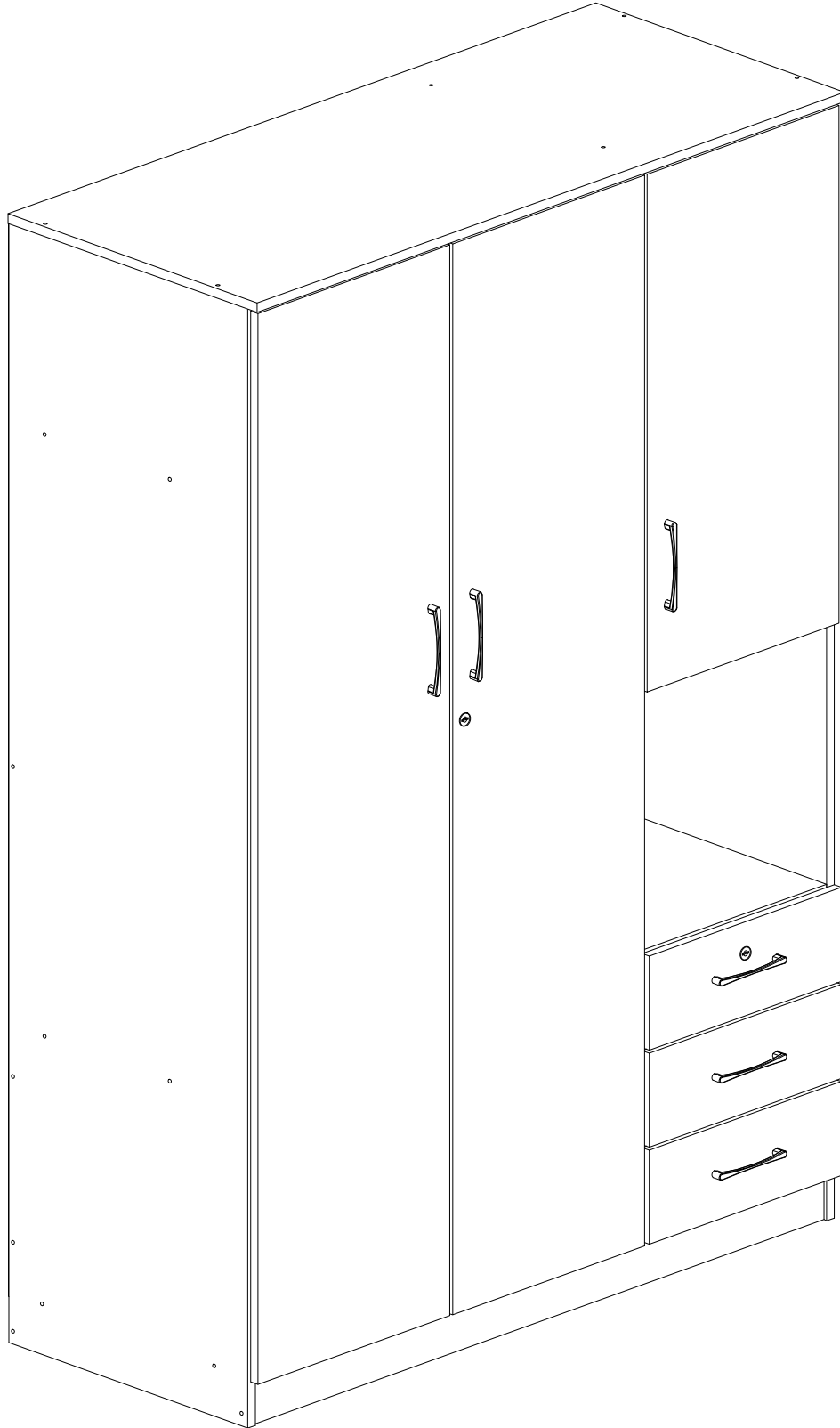


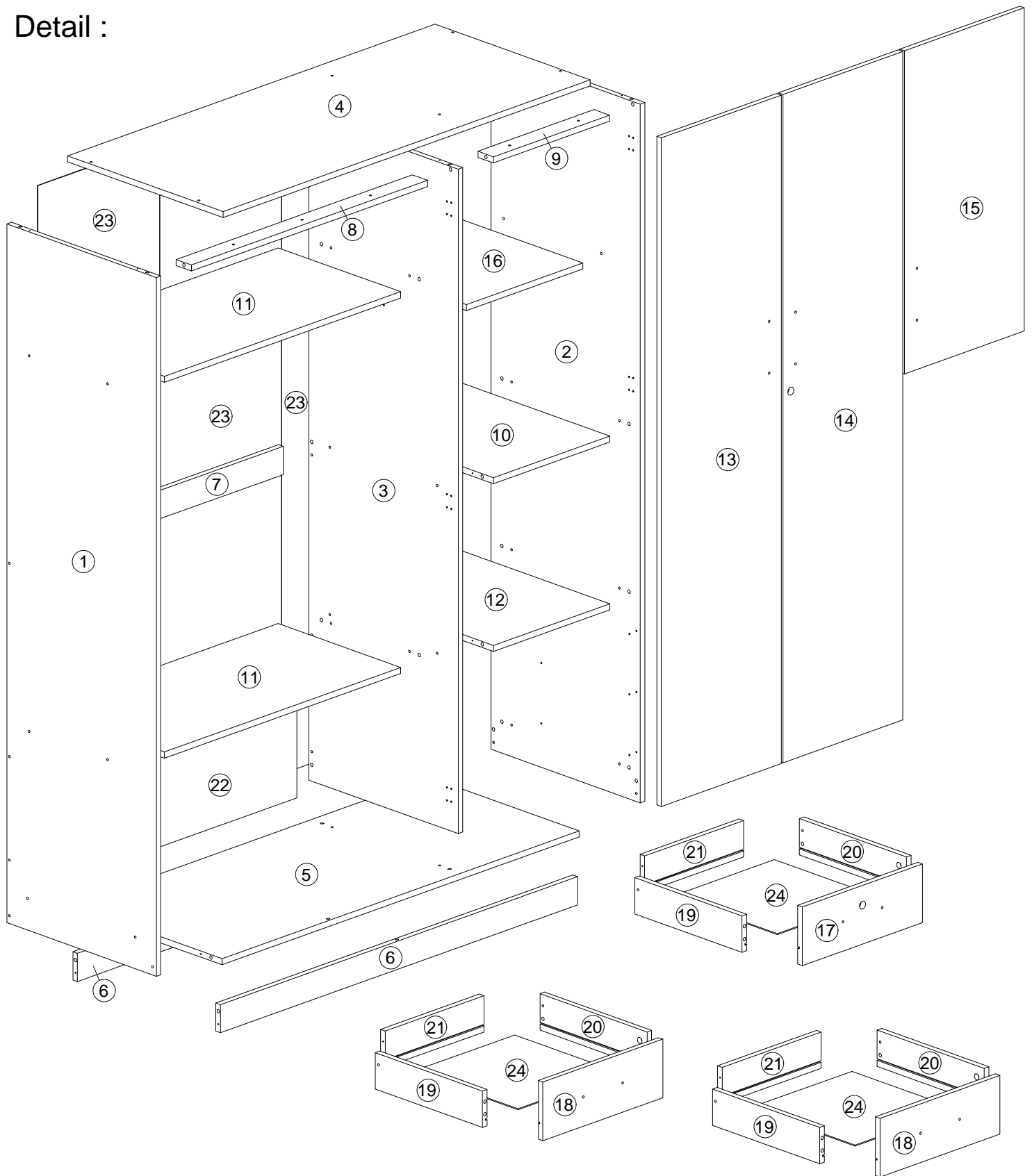
Assembly Instruction

SKU CODE : WF326472 / WF326473 / WF326474



Assembly Instruction

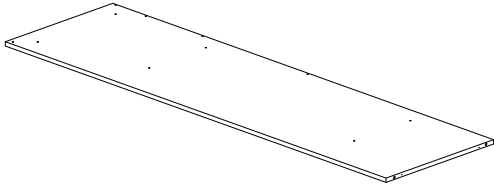
Detail :



Assembly Instruction

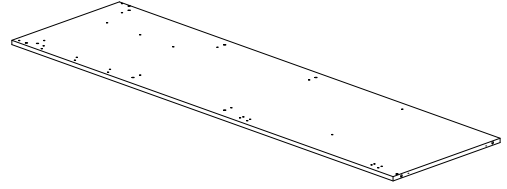
Part List (WF326472)

① X 1



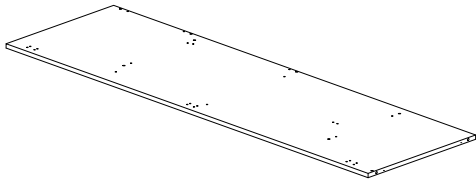
Side Panel Left

② X 1



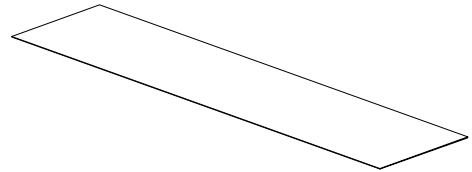
Side Panel Right

③ X 1



Center Panel

⑳ X 3

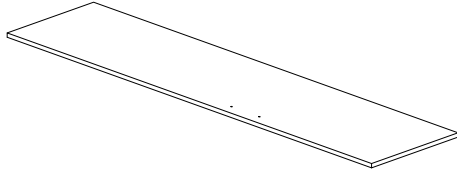


Back Panel

Assembly Instruction

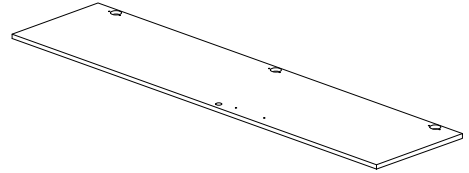
Part List (WF326473)

⑬ X 1



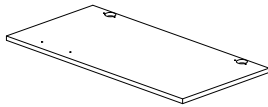
Door Panel Left Big

⑭ X 1



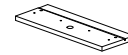
Door Panel Right Big

⑮ X 1



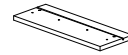
Door Panel Right Small

⑰ X 1



Drawer Front No1

⑱ X 2

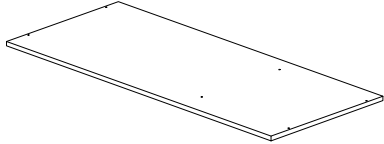


Drawer Front No2 No3

Assembly Instruction

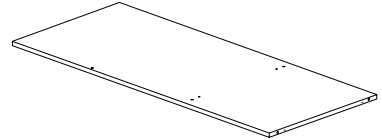
Part List (WF326474)

④ X 1



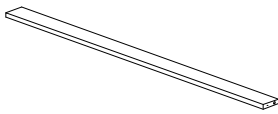
Top Panel

⑤ X 1



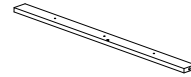
Bottom Panel

⑥ X 2



Bottom Support Panel

⑧ X 1



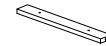
Top Support Panel Big

⑦ X 1



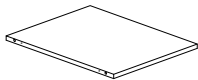
Back Support Panel

⑨ X 1



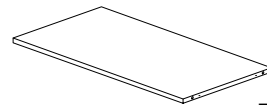
Top Support Panel Small

⑩ X 1



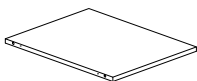
Partition Panel Small - Up

⑪ X 2



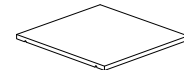
Partition Panel Big

⑫ X 1



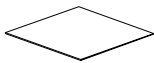
Partition Panel Small - Down

⑯ X 1



Adjust Panel

⑳ X 3



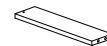
Drawer Bottom Panel

⑲ X 3



Drawer Side Panel Left

㉑ X 3



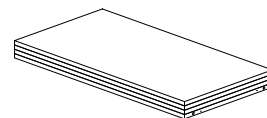
Drawer Side Panel Right

㉒ X 3



Drawer Back Panel

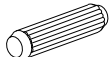
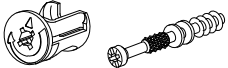
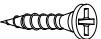

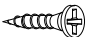



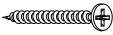
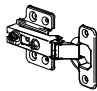




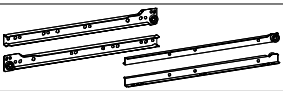



㉓ X 1




Back Panel Small

Assembly Instruction

Hardware List (WF326474)

No.	SHAPE	DESCRIPTION	Qty.
A		8x25mm Dowel (Wood)	56Pcs
B		15mm Myfix Minifix	6Sets
C		M3.5x16mm Screw	88Pcs
D		M4x45mm Screw	44Pcs
E		M3.5x12mm Screw	18Pcs
F		V Bracket	2Pcs
G		Shelf Support	4Pcs
H		Handle OS 128mm	6Pcs
I		M4x28mm Screw	17Pcs
J		Hinges 2/8	8Pcs
K		5/8 Nail With Pin	6Pcs
L		6/8 Power Pin	50Pcs
M		Drawer Lock	2Pcs
N		Drawer Lock Support H10.9	1Pc
O		Drawer Slide (350mm)	3Sets
P		Furniture Bolt	2Pcs
Q		Aluminium Pipe(765mm)	1Pc
R		Sticker	19Pcs

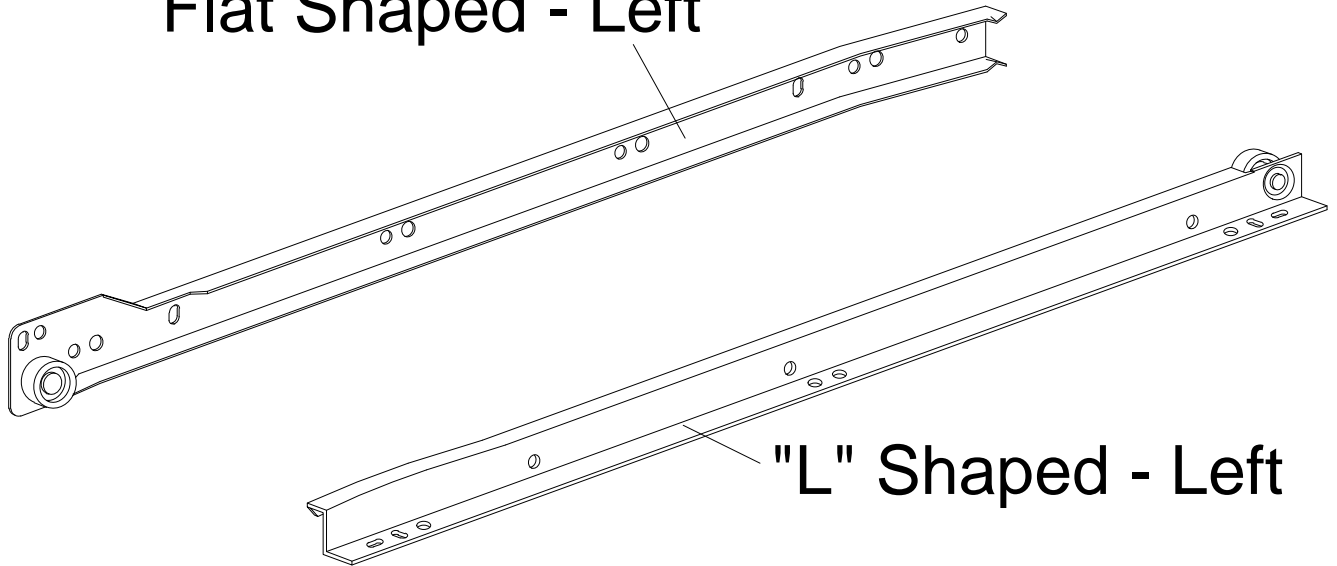
Anti Tipping Hardware (WF326474)

No.	SHAPE	DESCRIPTION	Qty.
a		Mounting Bracket	2Pcs
b		TP 6# x 5/8" Screw	1Pc
c		TP 8# x 2" Screw	1Pc
d		Restraint Strap	1Pc

Assembly Instruction

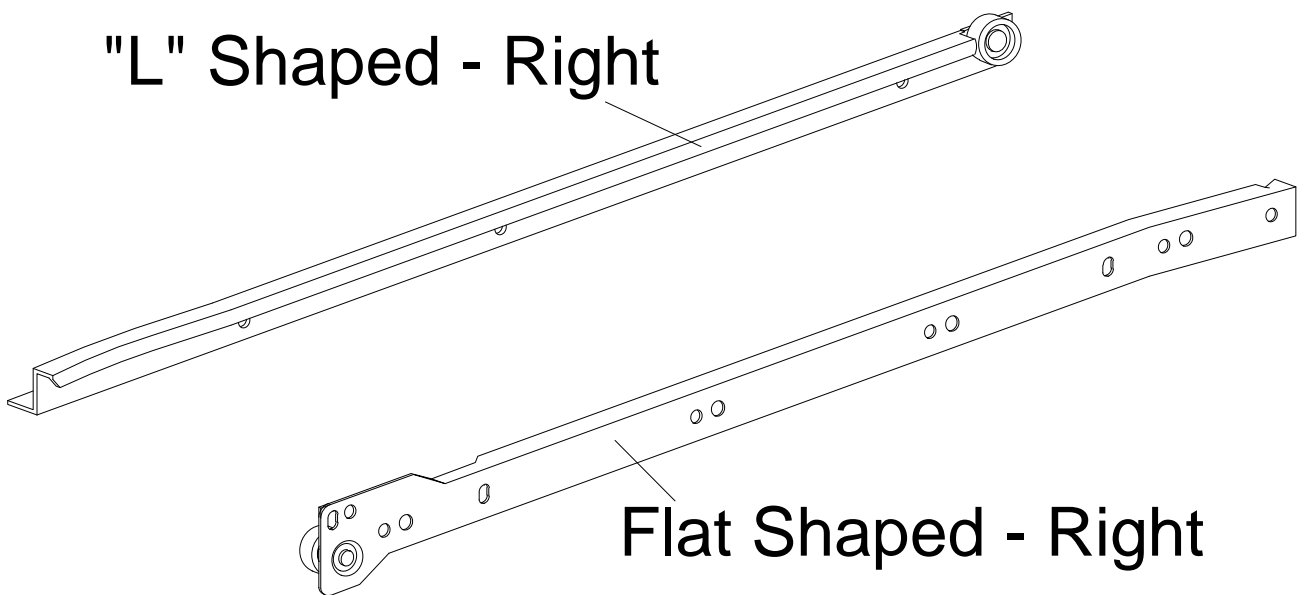
Left Drawer Silde (O)

Flat Shaped - Left




Right Drawer Silde (O)

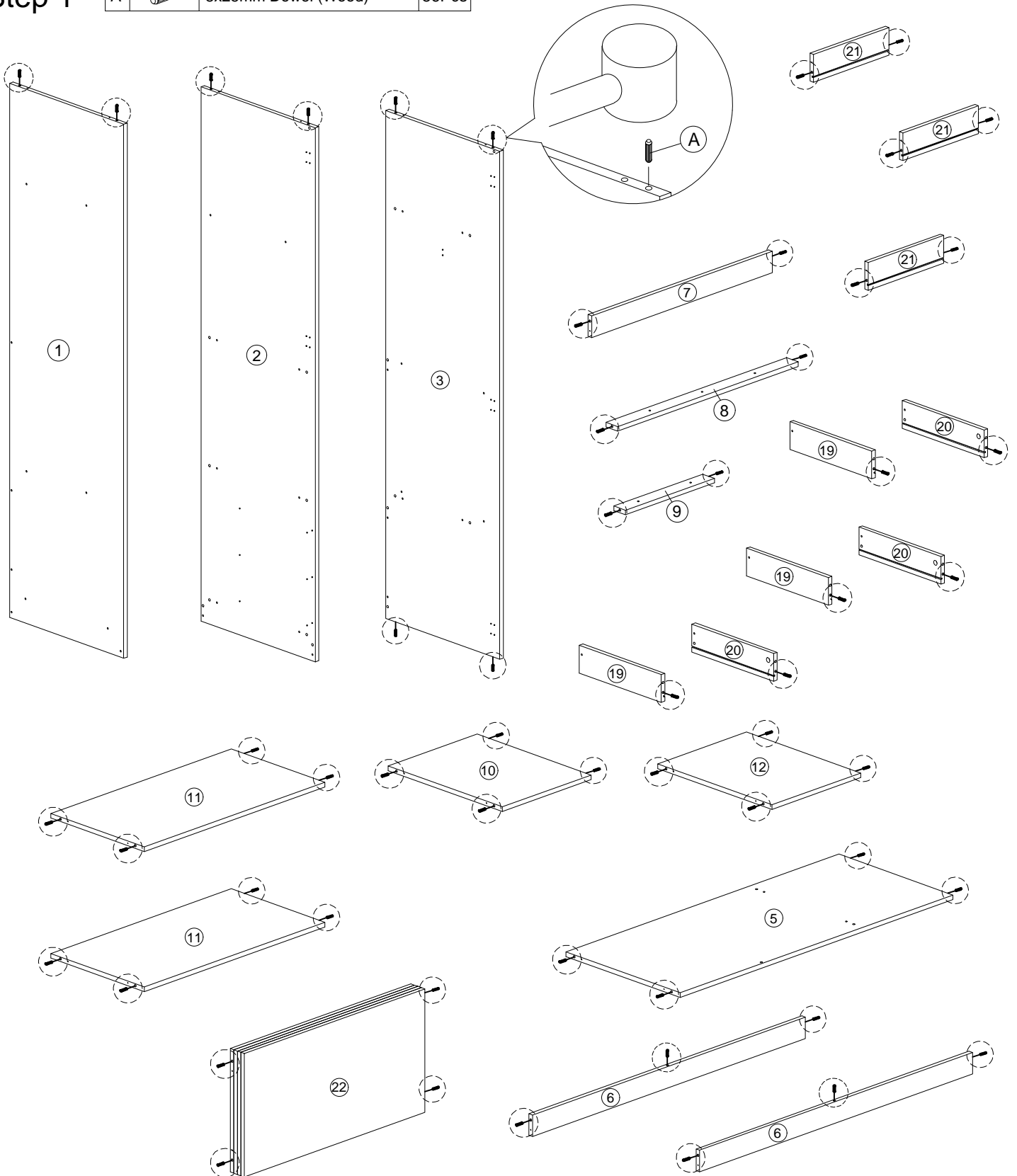
"L" Shaped - Right



Assembly Instruction

Step 1

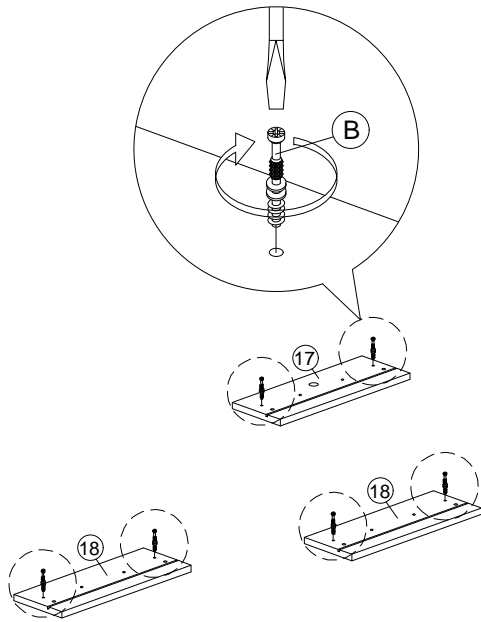
A		8x25mm Dowel (Wood)	56Pcs
---	---	---------------------	-------



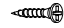

Assembly Instruction

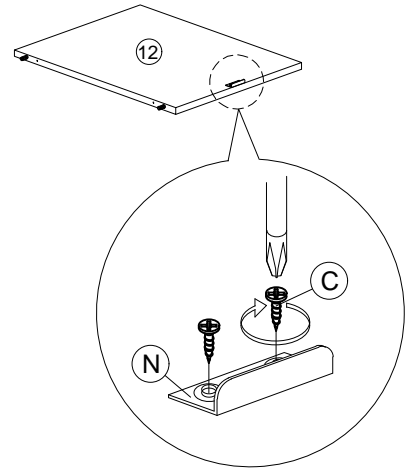
Step 2

B		Myfix	6Pcs
---	---	-------	------






Step 3

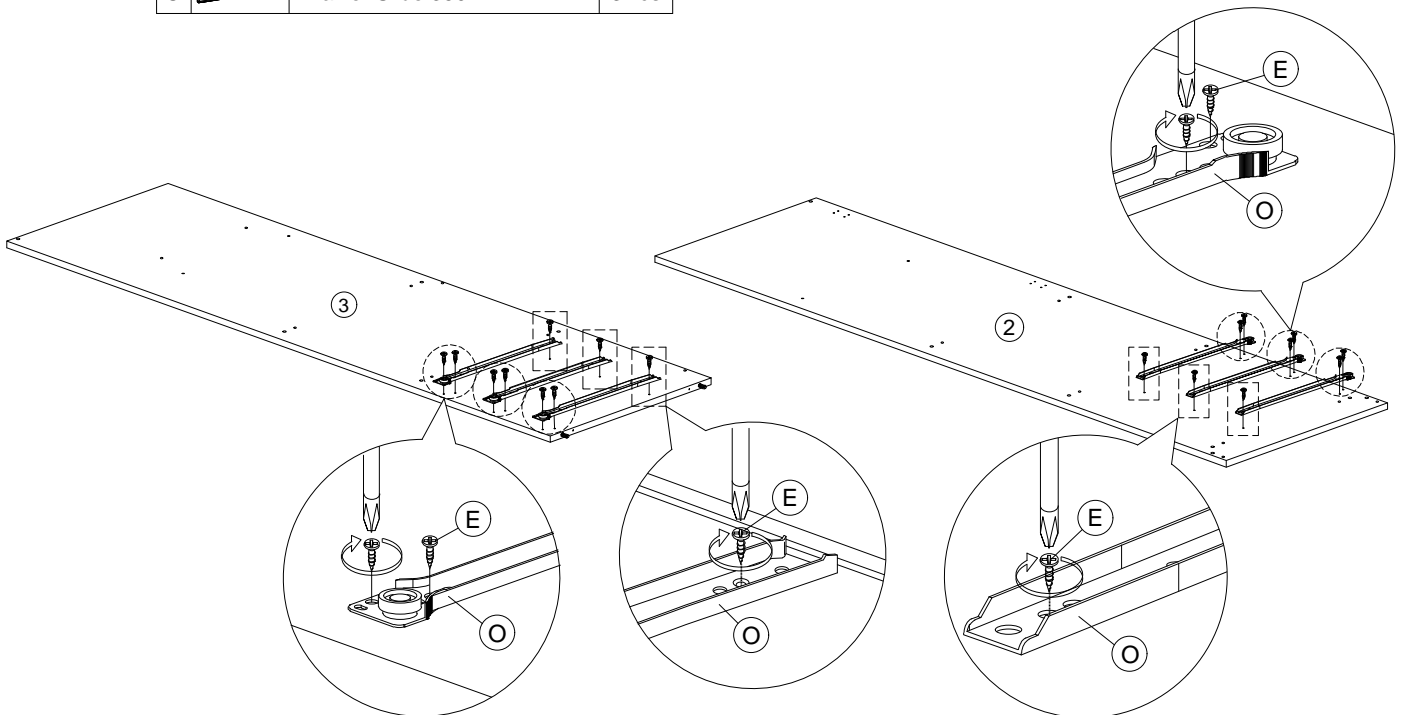
C		M3.5x16mm Screw	2Pcs
N		Drawer Lock Support H10.9	1Pc



Step 4

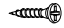

E		M3.5x12mm Screw	18Pcs
O		Drawer Slide 350mm - R	3Pcs

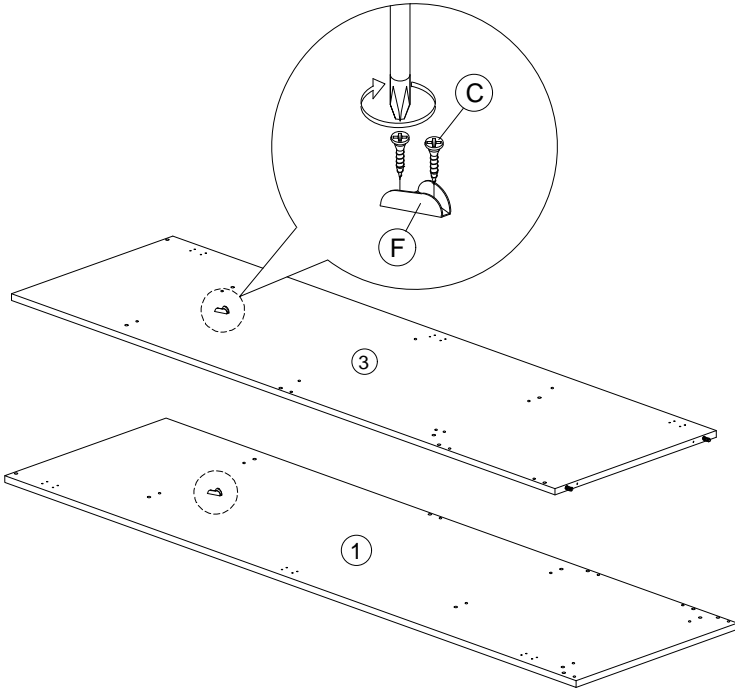
O		Drawer Slide 350mm - L	3Pcs
---	---	------------------------	------




Assembly Instruction

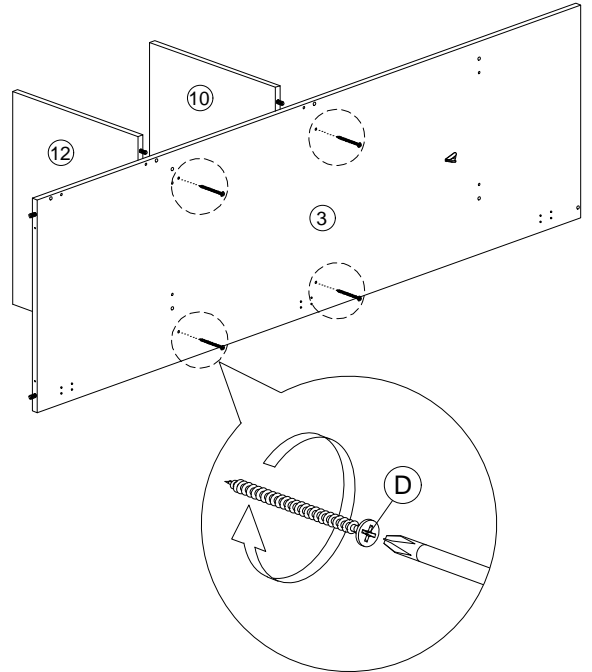
Step 5

C		M3.5x16mm Screw	4Pcs
F		V Bracket	2Pcs




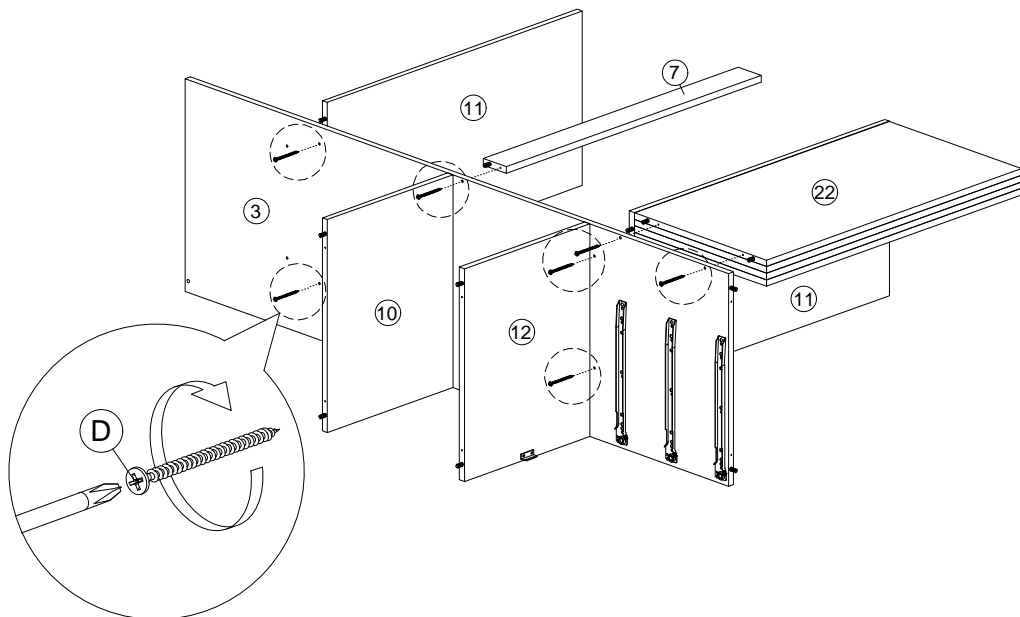
Step 6

D		M4x45mm Screw	4Pcs
---	---	---------------	------




Step 7

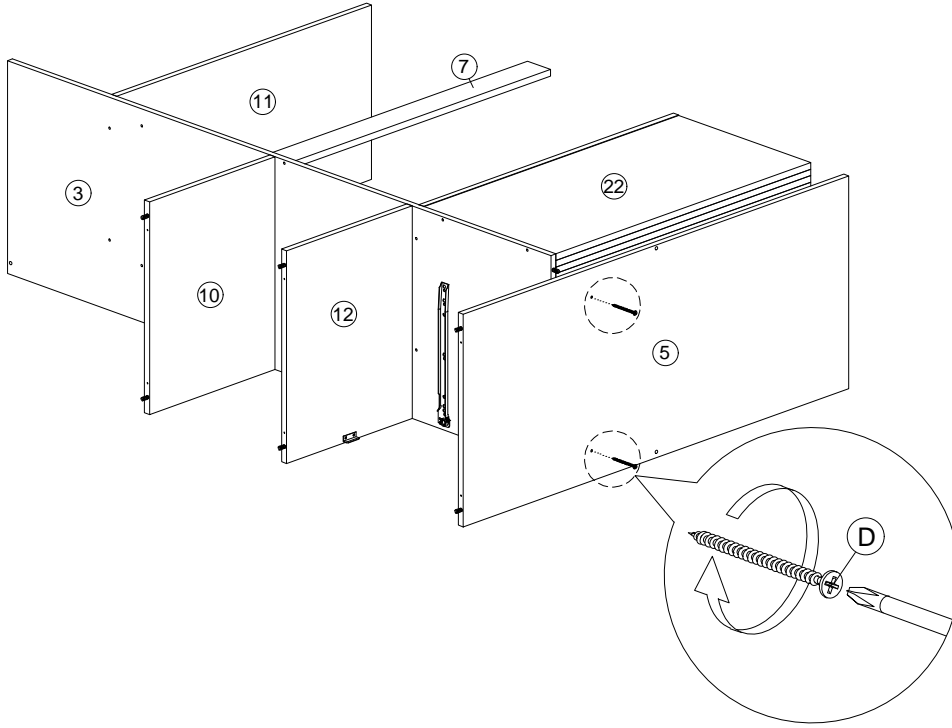
D		M4x45mm Screw	7Pcs
---	---	---------------	------



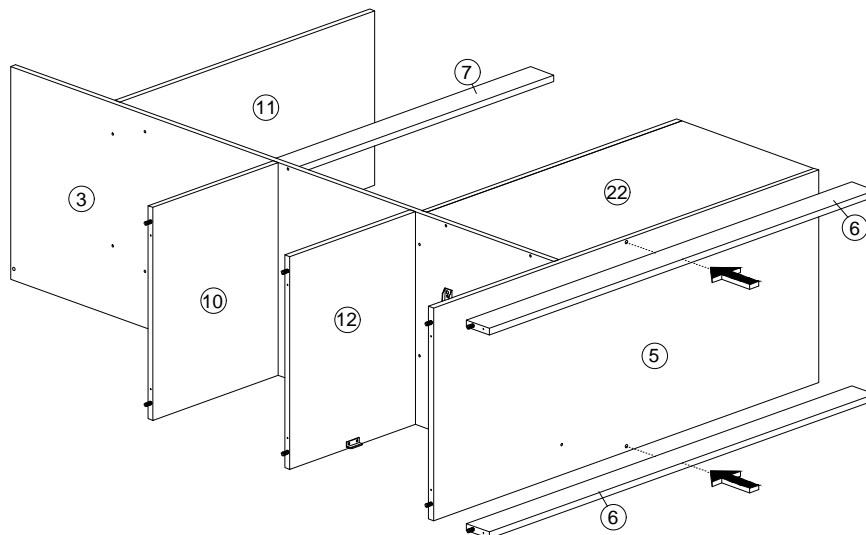
Assembly Instruction

Step 8

D		M4x45mm Screw	2Pcs
---	---	---------------	------




Step 9

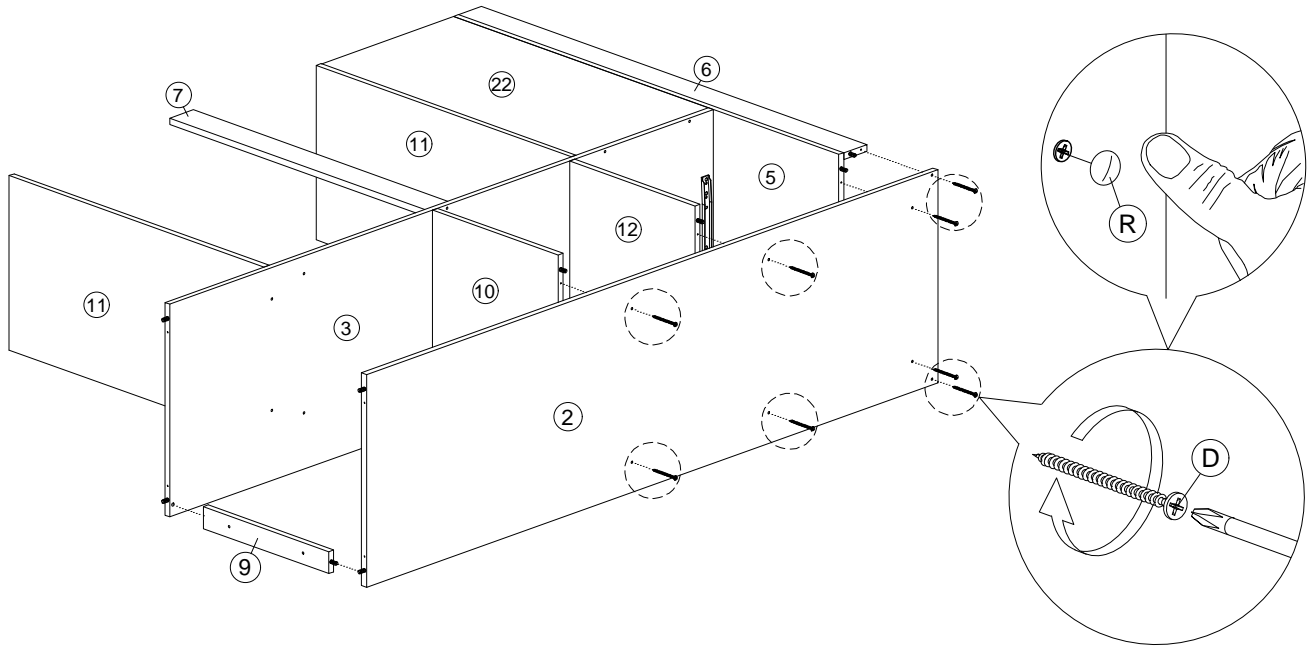


Assembly Instruction


Step 10

D  M4x45mm Screw 8Pcs

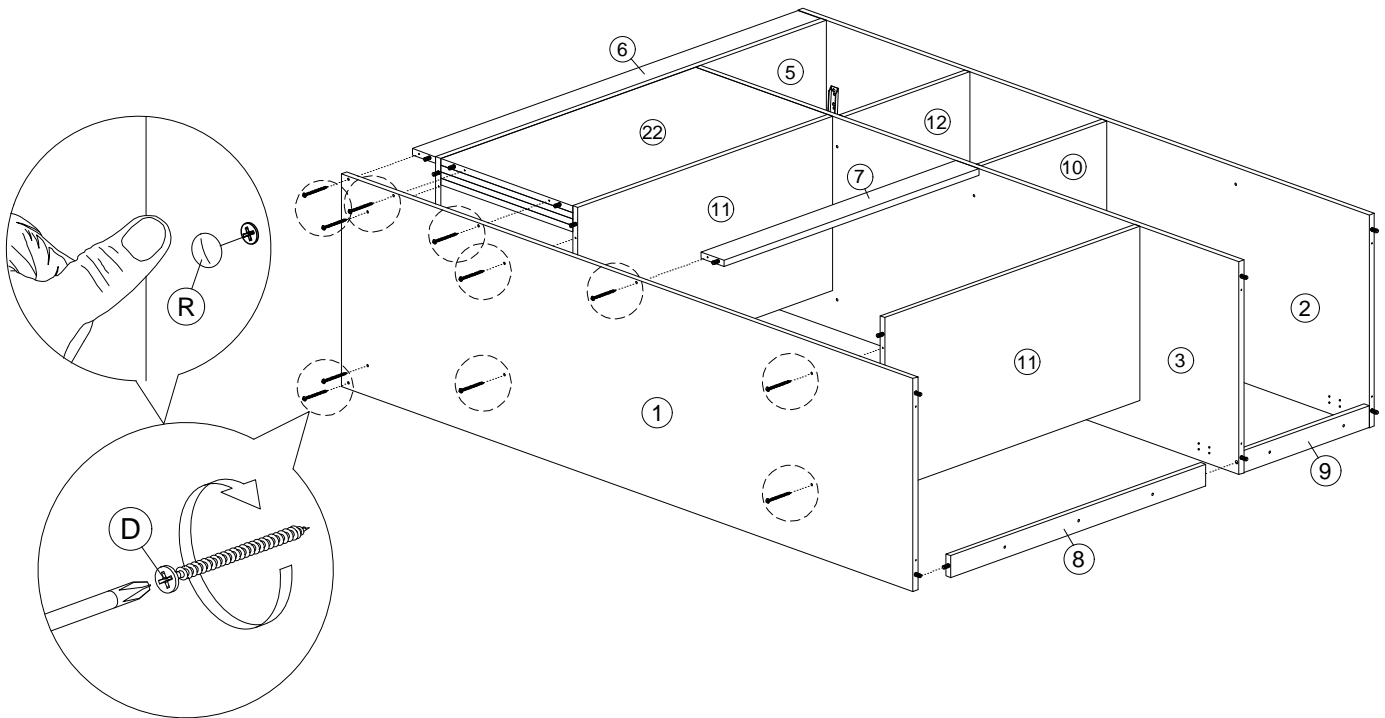
R  Sticker 8Pcs



Step 11


D  M4x45mm Screw 11Pcs

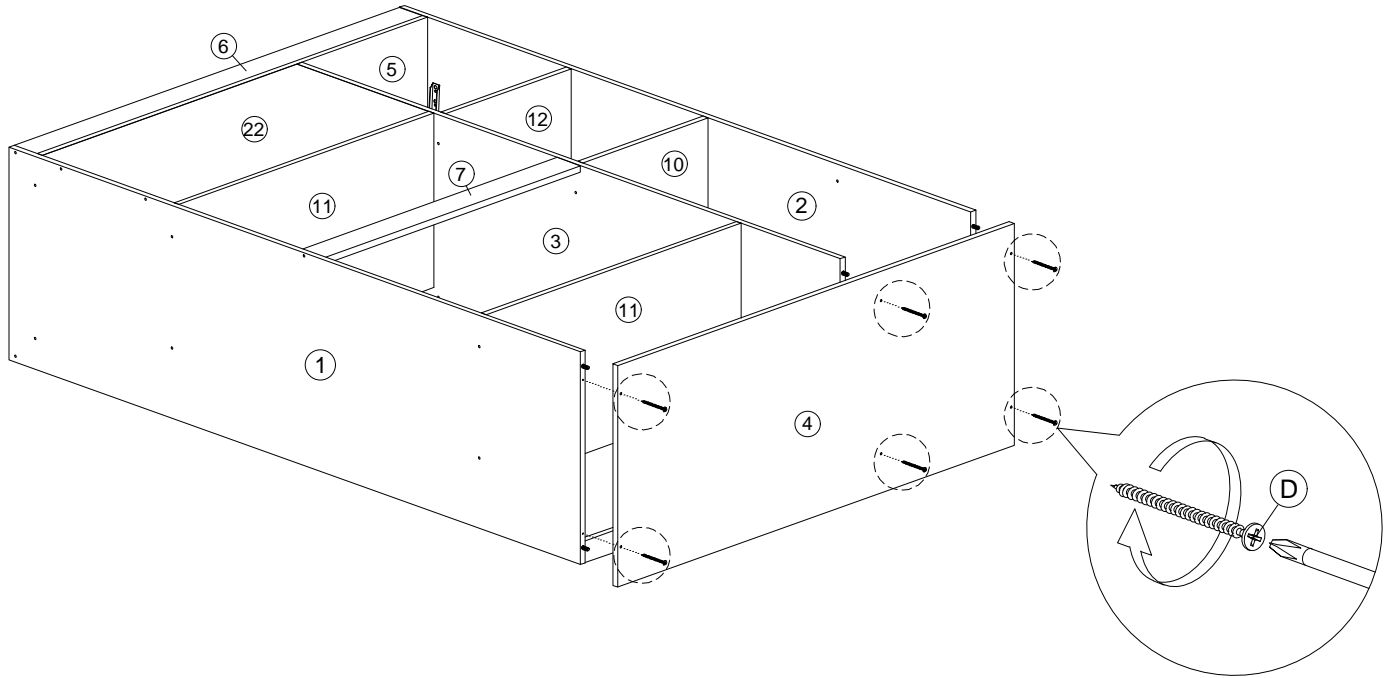
R  Sticker 11Pcs




Assembly Instruction

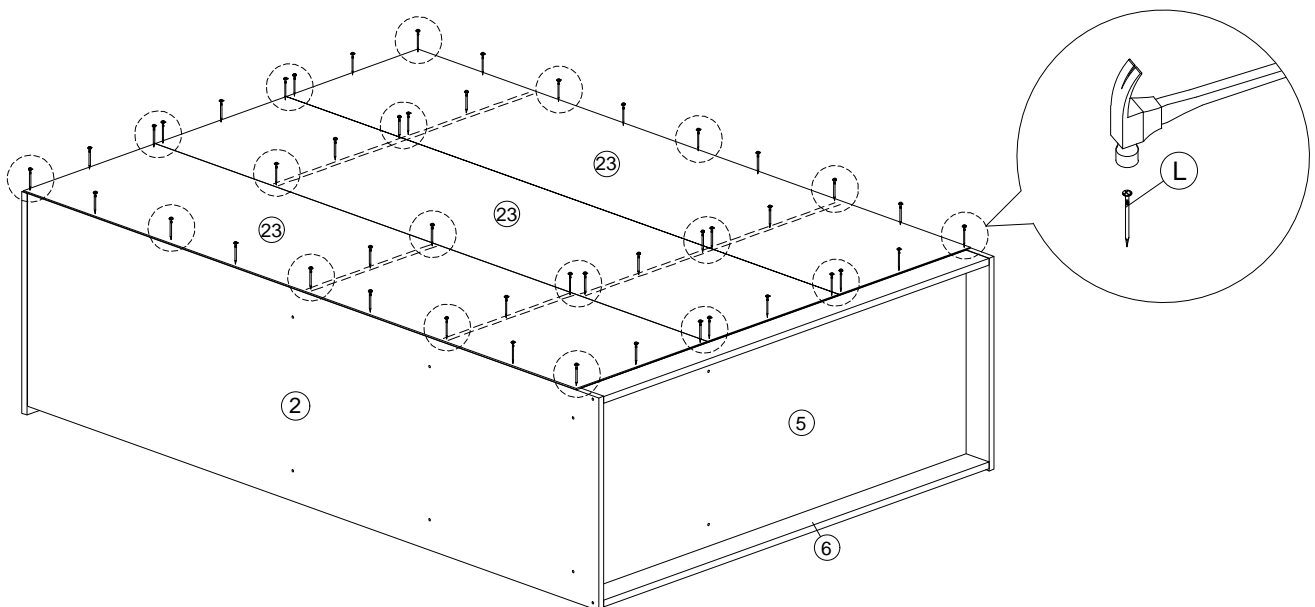
Step 12

D		M4x45mm Screw	6Pcs
---	---	---------------	------




Step 13

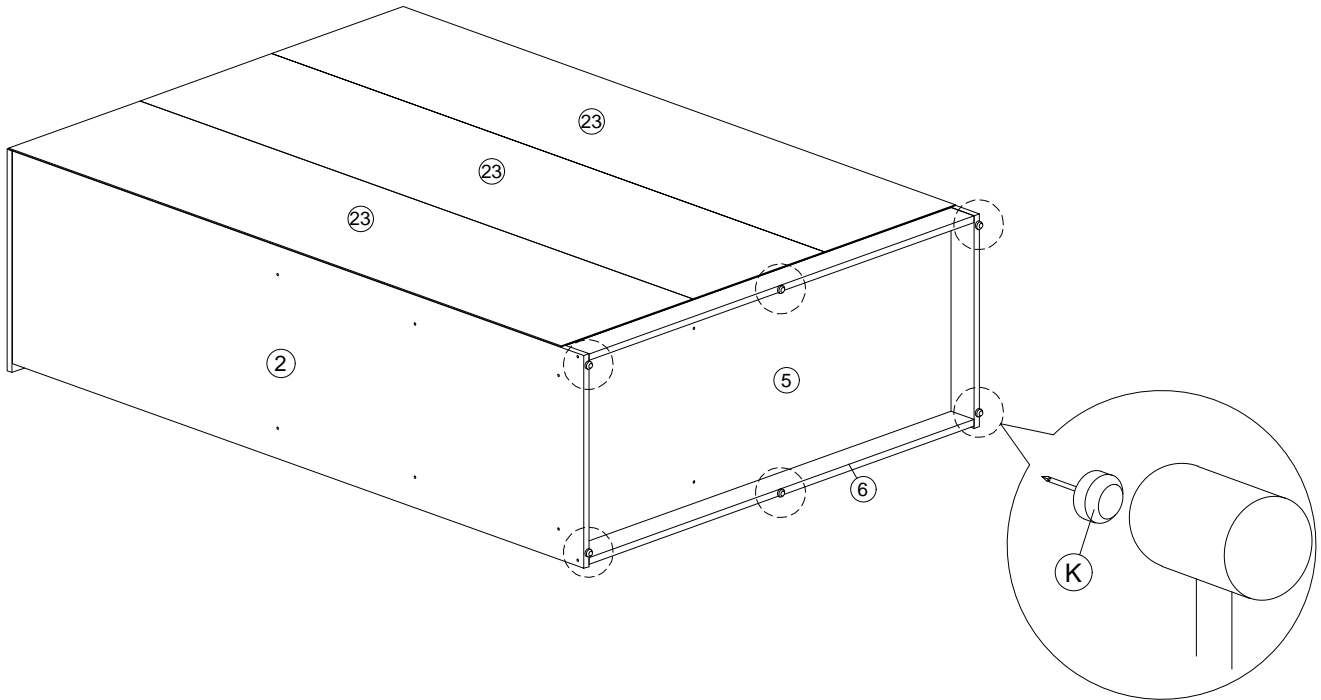
L		6/8 Power Pin	50Pcs
---	---	---------------	-------



Assembly Instruction

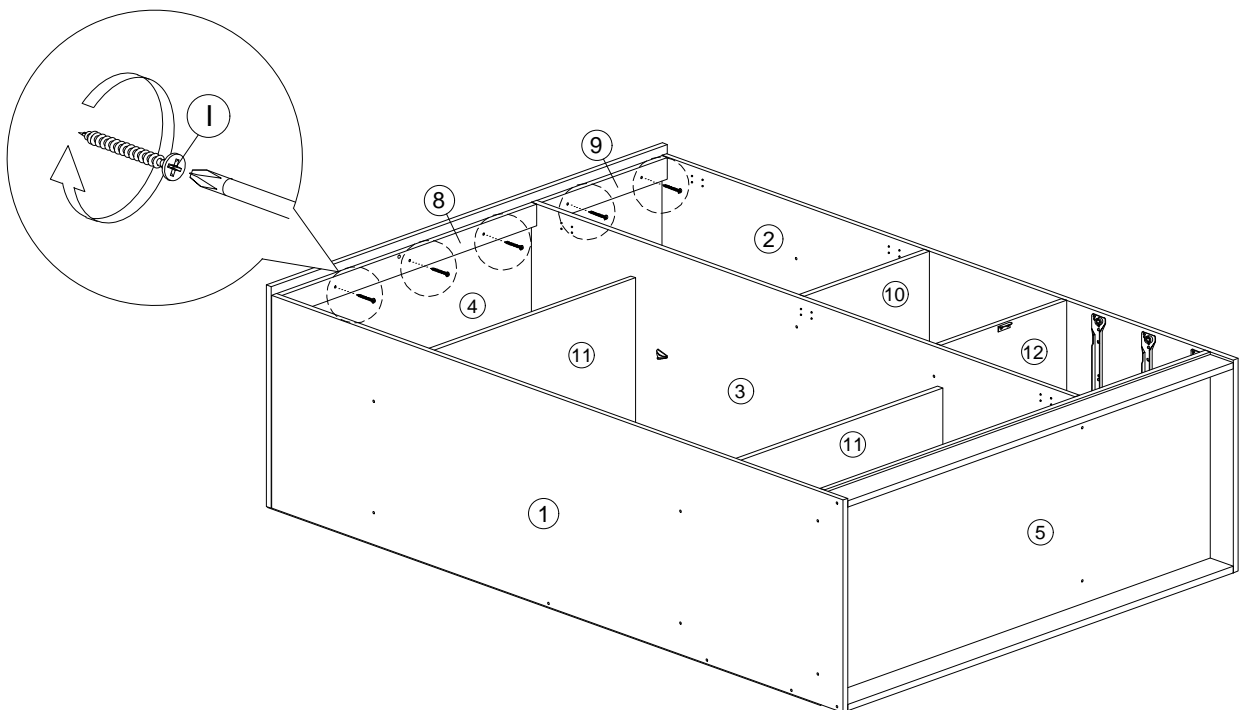
Step 14

K		5/8 Nail With Pin	6Pcs
---	---	-------------------	------



Step 15

I		M4x28mm Screw	5Pcs
---	---	---------------	------



Assembly Instruction

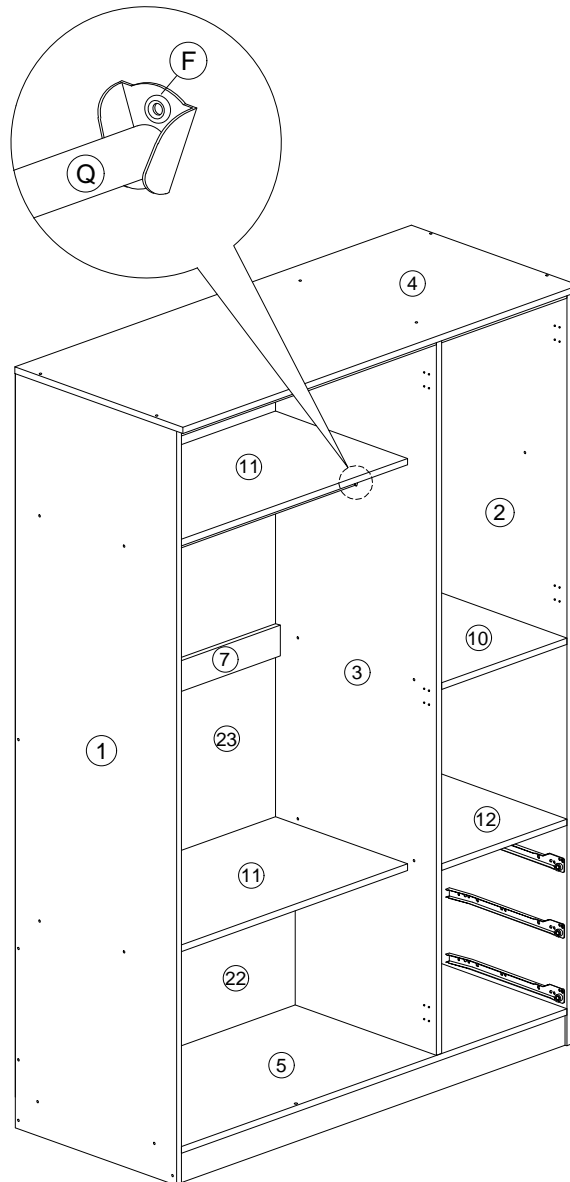
Step 16

Q



Aluminium Pipe 765mm

1Pc



Assembly Instruction

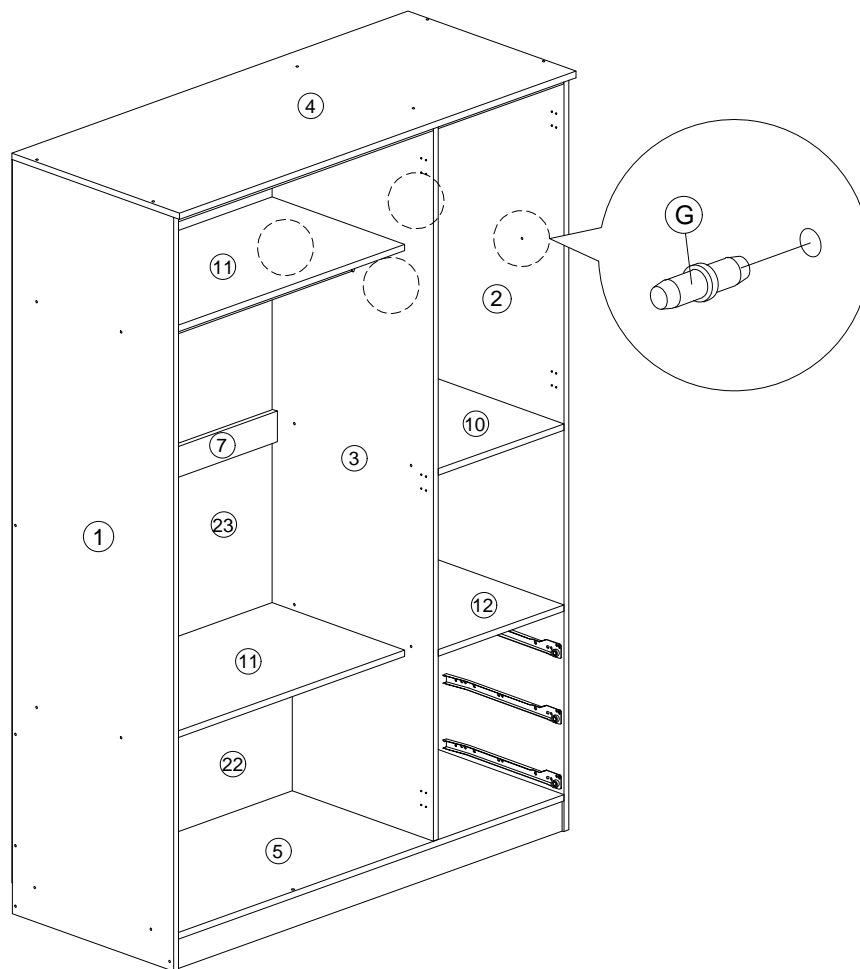
Step 17

G



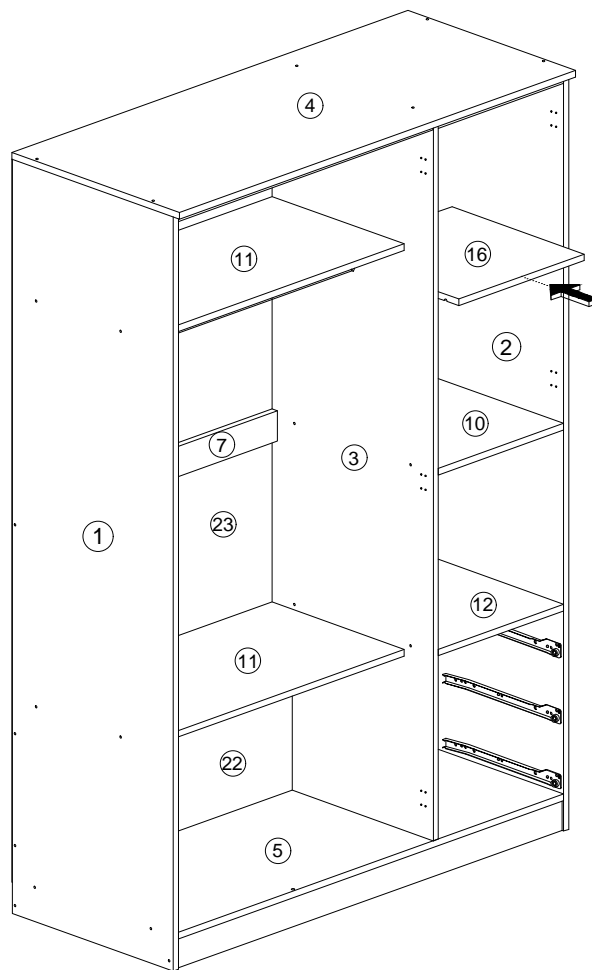
Shelf Support

4Pcs



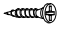
Assembly Instruction


Step 18

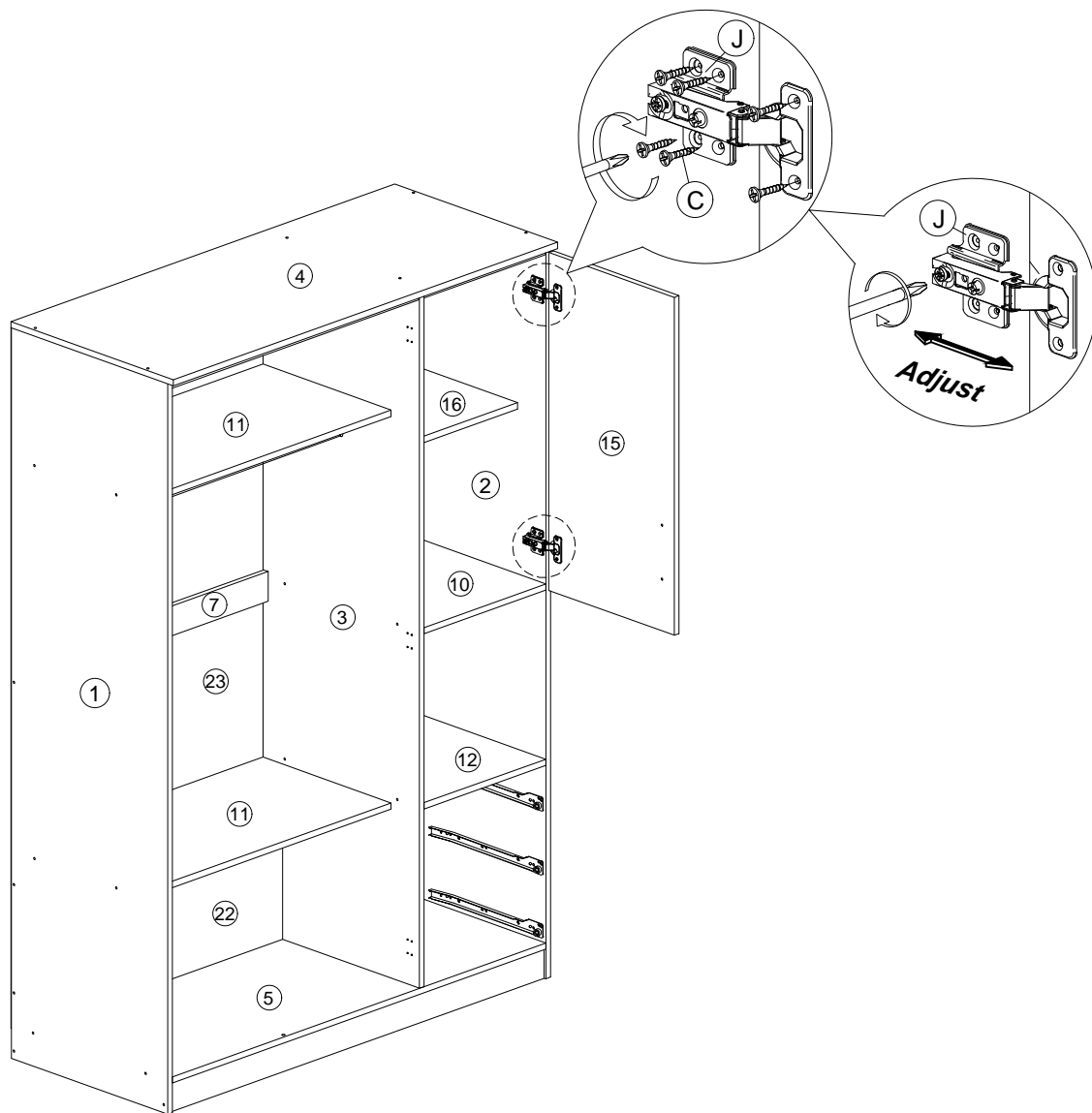


Assembly Instruction

Step 19

C  M3.5x16mm Screw 12Pcs

J  Hinges 2/8 2Pcs



Assembly Instruction

Step 20

H



Handle OS 128mm

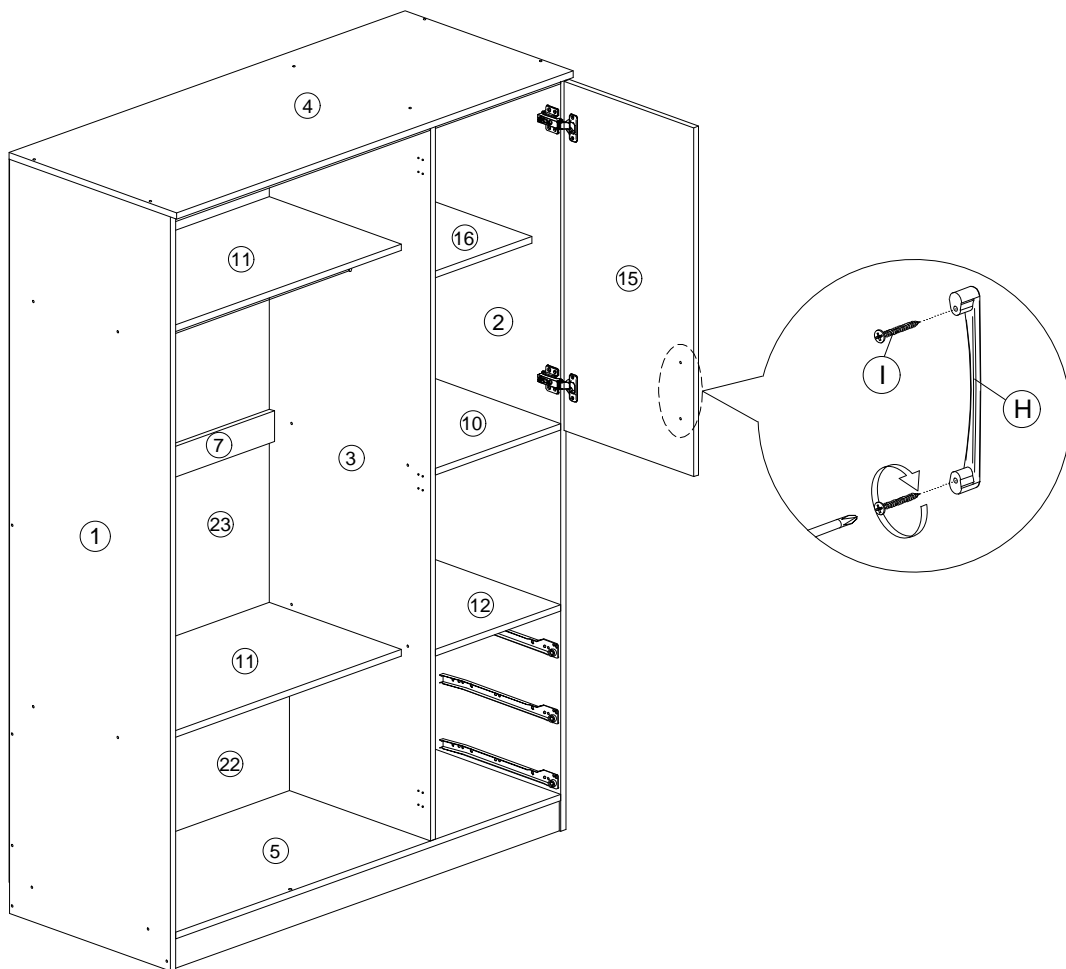
1Pc

I



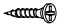
M4x28mm Screw


2Pcs

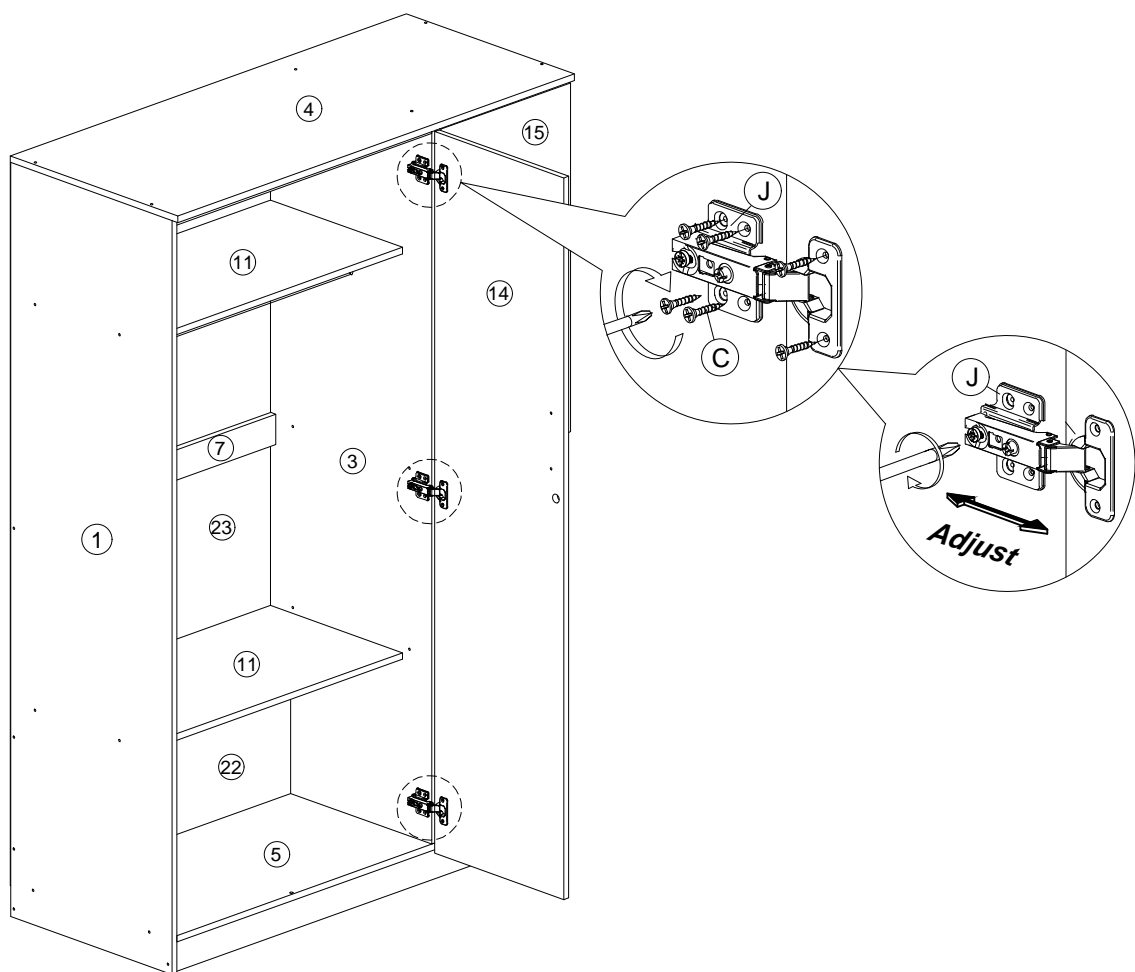


Assembly Instruction

Step 21

C		M3.5x16mm Screw	18Pcs
---	---	-----------------	-------

J		Hinges 2/8	3Pcs
---	---	------------	------



Assembly Instruction

Step 22

H



Handle OS 128mm

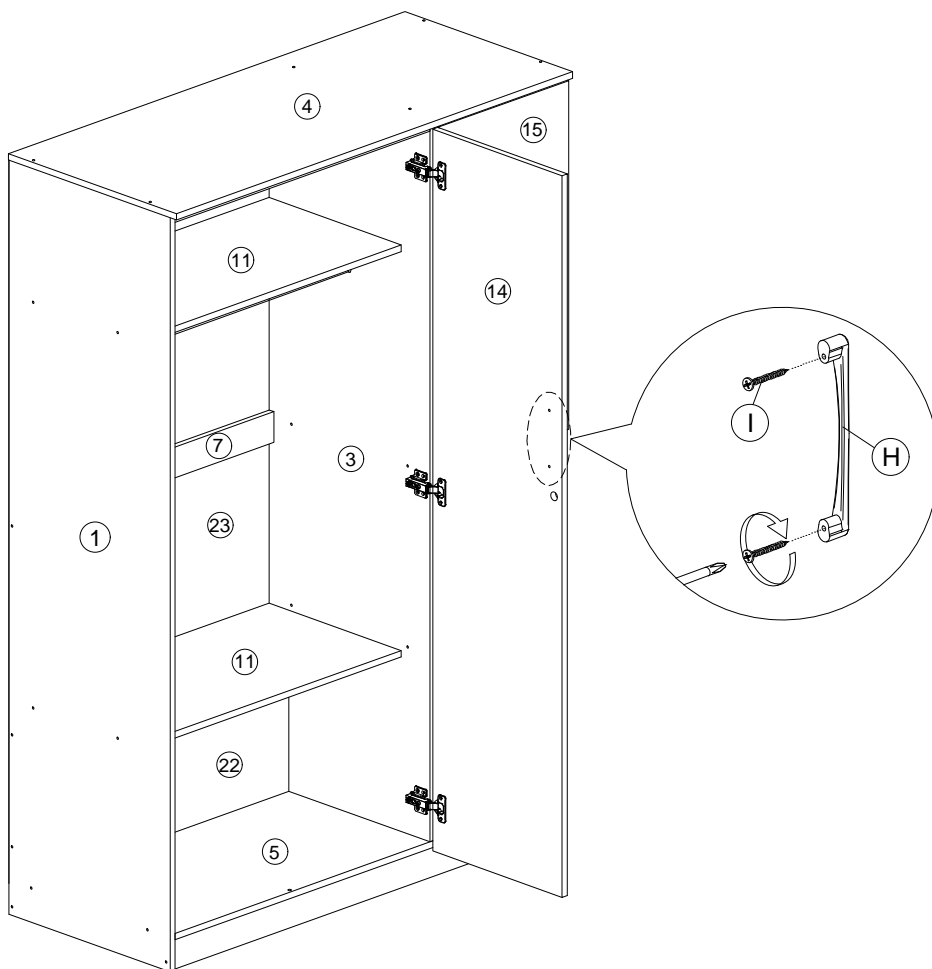
1Pc

I




M4x28mm Screw

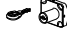
2Pcs

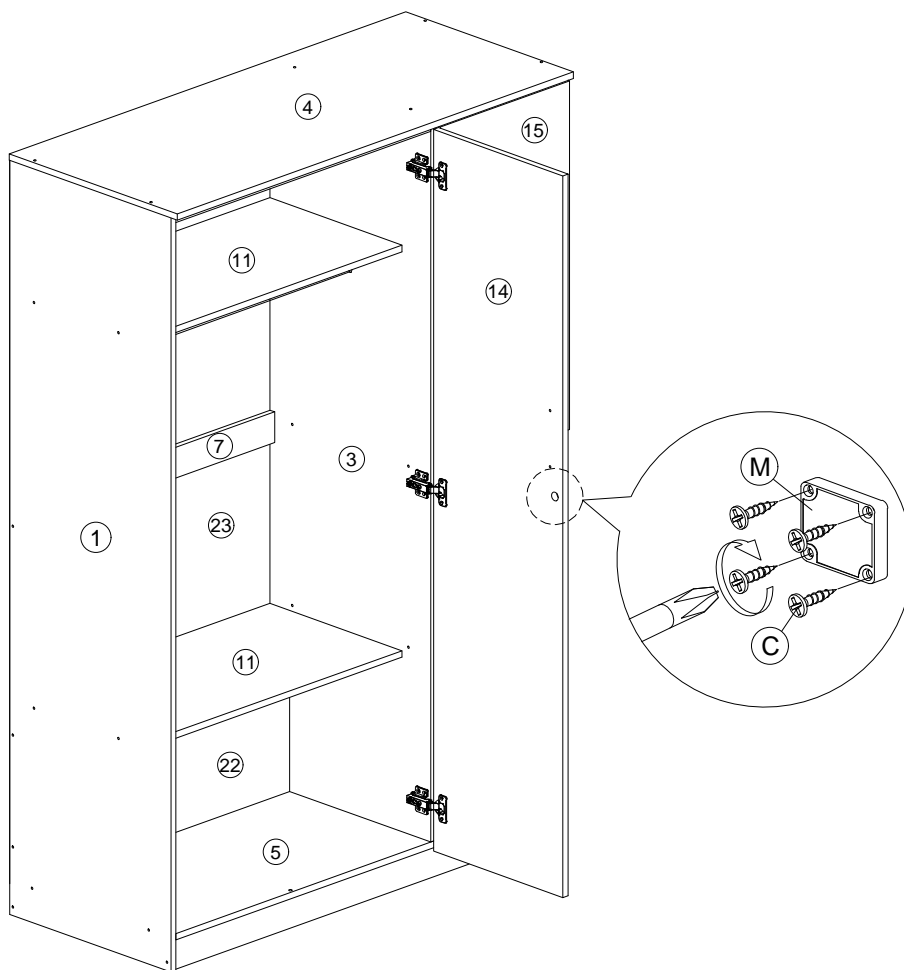


Assembly Instruction

Step 23

C		M3.5x16mm Screw	4Pcs
---	---	-----------------	------

M		Drawer Lock	1Pc
---	---	-------------	-----



Assembly Instruction

Step 24

C



M3.5x16mm Screw

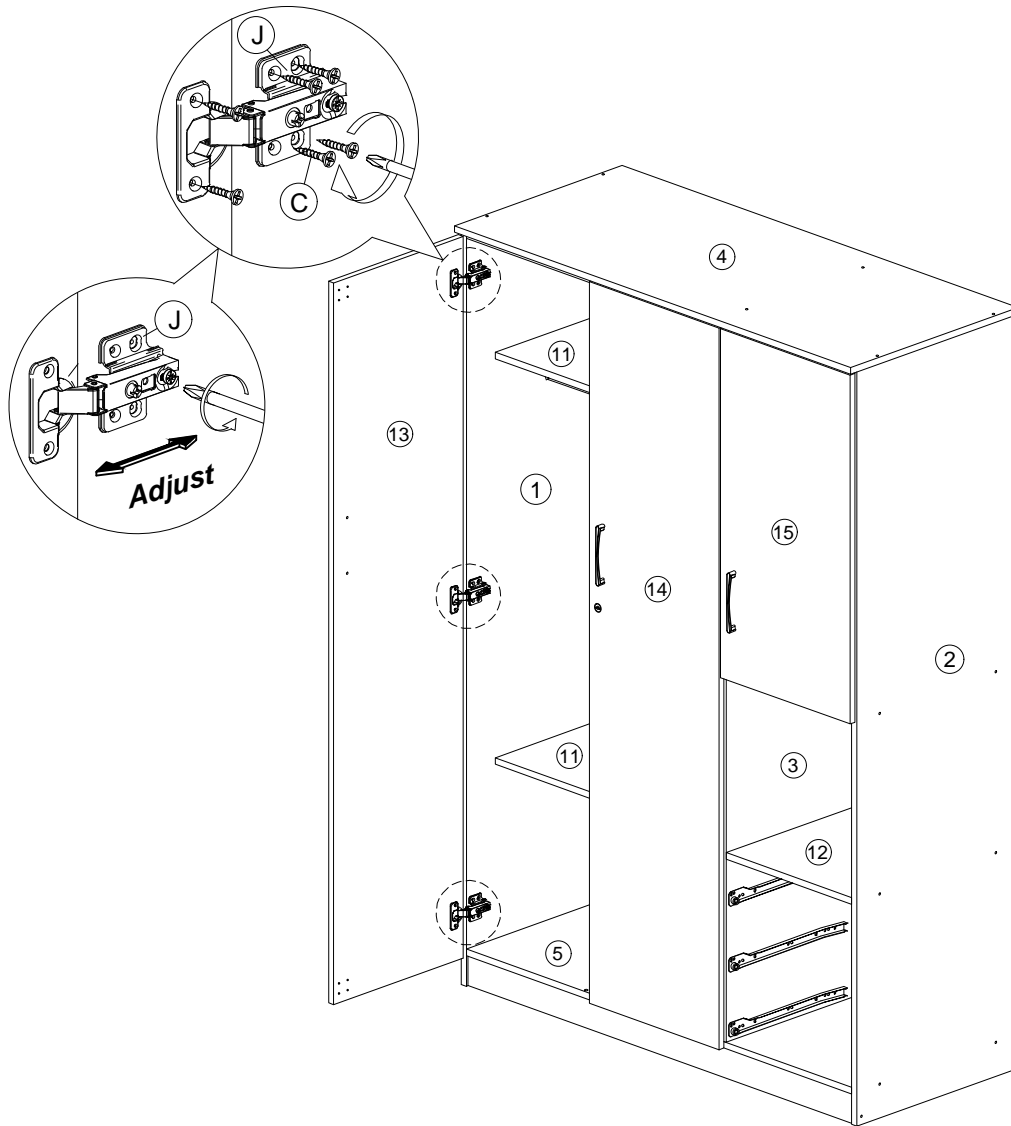
18Pcs

J




Hinges 2/8


3Pcs

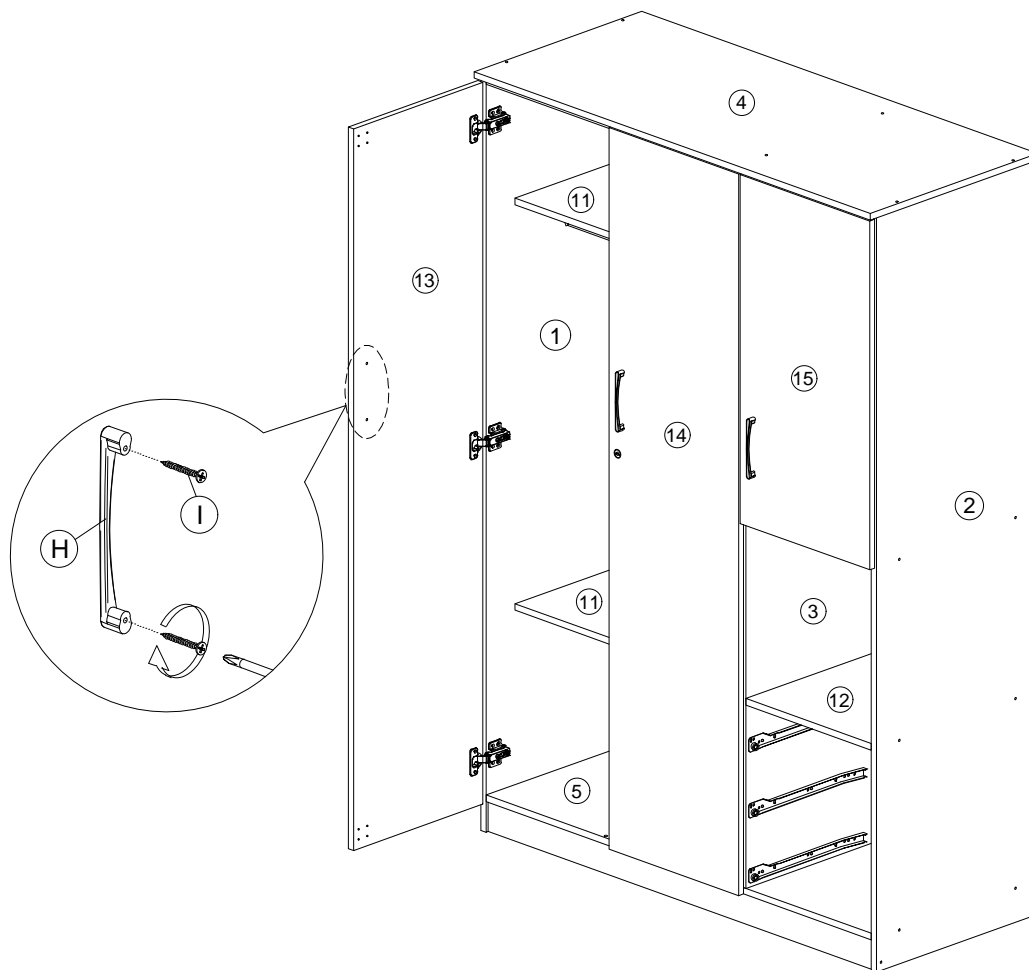


Assembly Instruction

Step 25

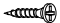
H		Handle OS 128mm	1Pc
---	---	-----------------	-----

I		M4x28mm Screw	2Pcs
---	---	---------------	------

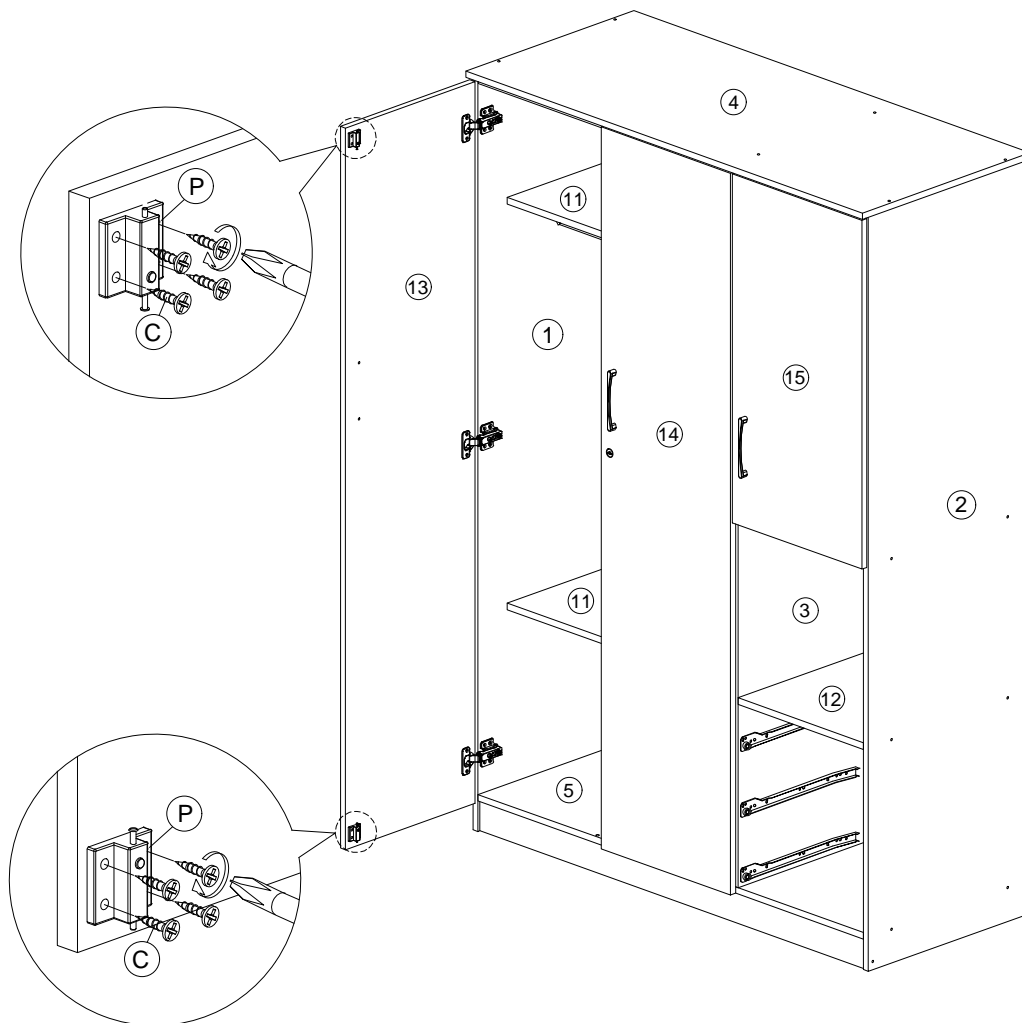


Assembly Instruction

Step 26


C  M3.5x16mm Screw 8Pcs

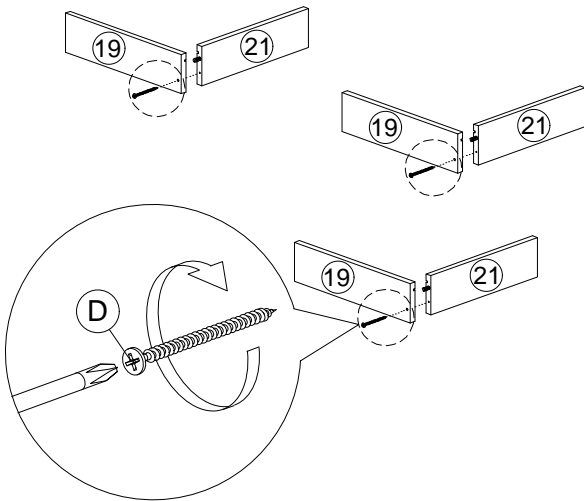
P  Furniture Bolt 2Pcs




Assembly Instruction

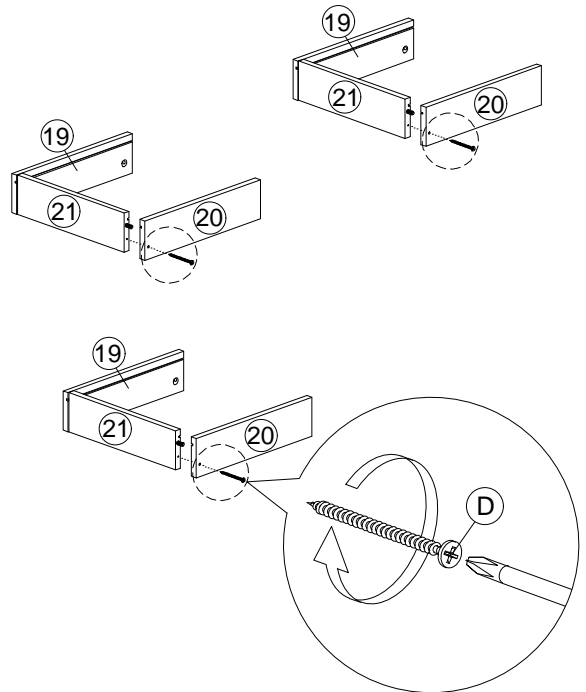
Step 27

D		M4x45mm Screw	3Pcs
---	---	---------------	------

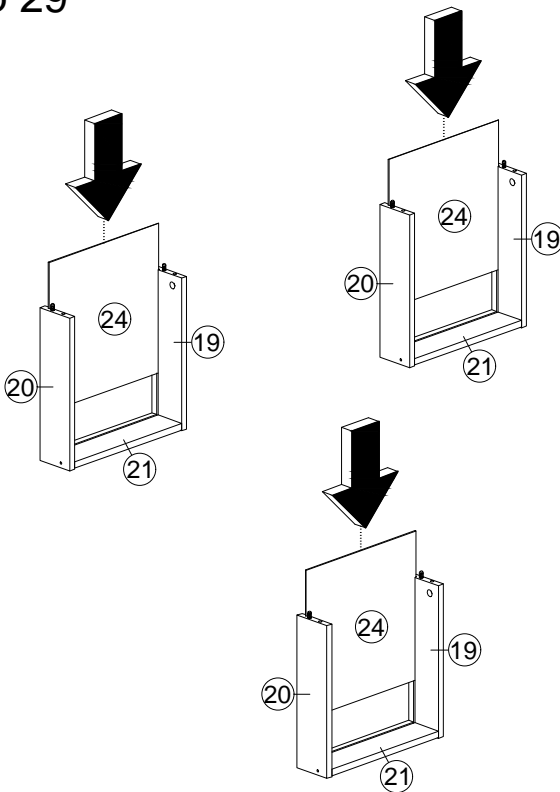


Step 28

D		M4x45mm Screw	3Pcs
---	---	---------------	------

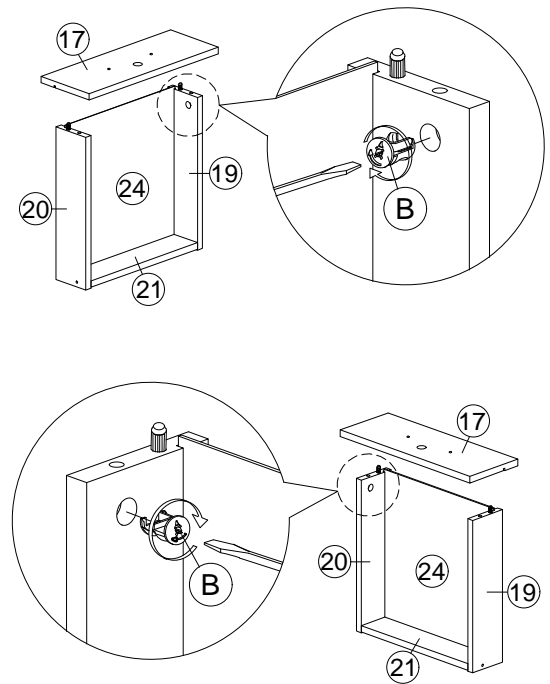


Step 29



Step 30

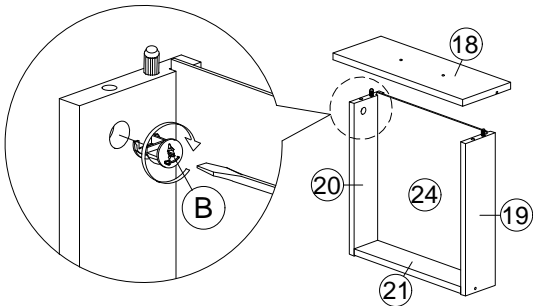
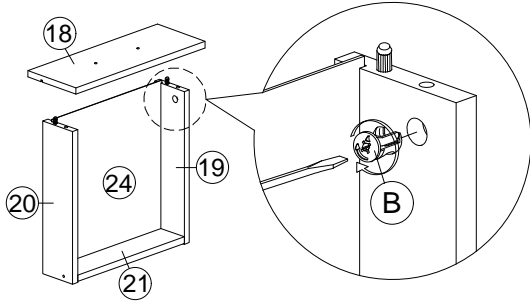
B		Minifix	2Pcs
---	---	---------	------



Assembly Instruction

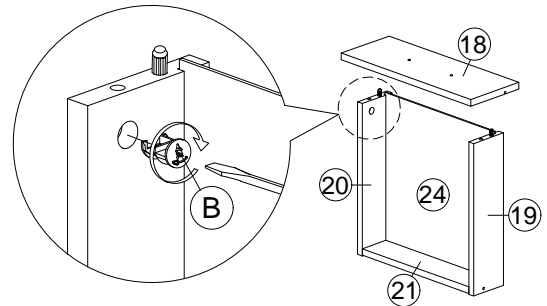
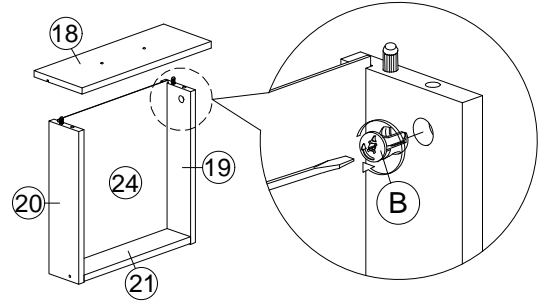
Step 31

B		Minifix	2Pcs
---	---	---------	------





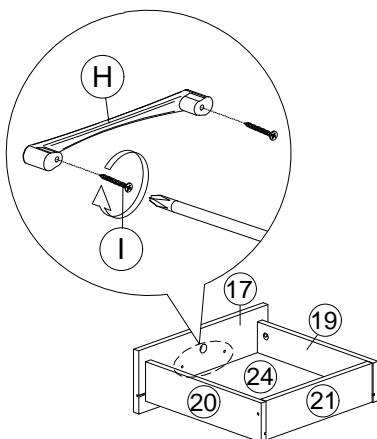
Step 32

B		Minifix	2Pcs
---	---	---------	------





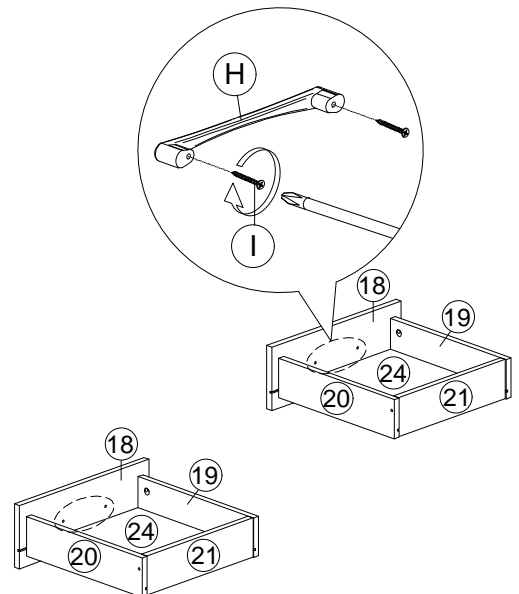
Step 33

H		Handle OS 128mm	1Pc
I		M4x28mm Screw	2Pcs



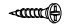

Step 34

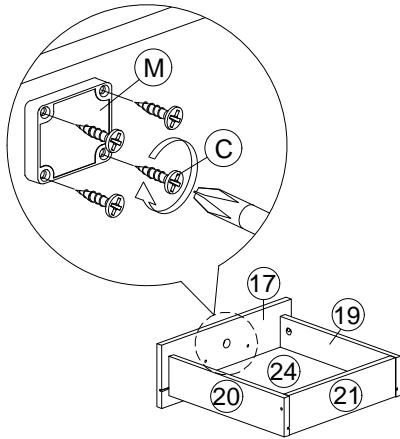
H		Handle OS 128mm	2Pcs
I		M4x28mm Screw	4Pcs



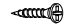

Assembly Instruction

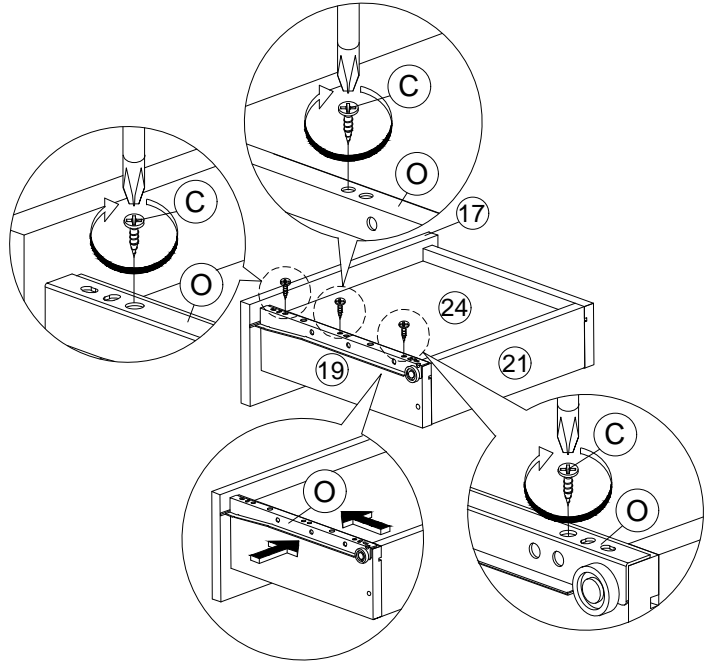
Step 35

C		M3.5x16mm Screw	4Pcs
M		Drawer Lock	1Pc

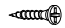



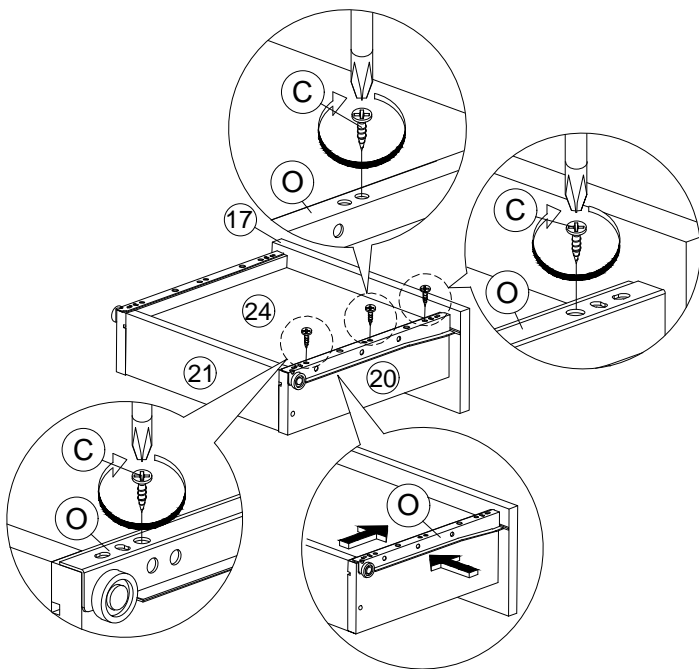
Step 36

C		M3.5x16mm Screw	3Pcs
O		Drawer Slide 350mm - L	1Pc

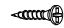



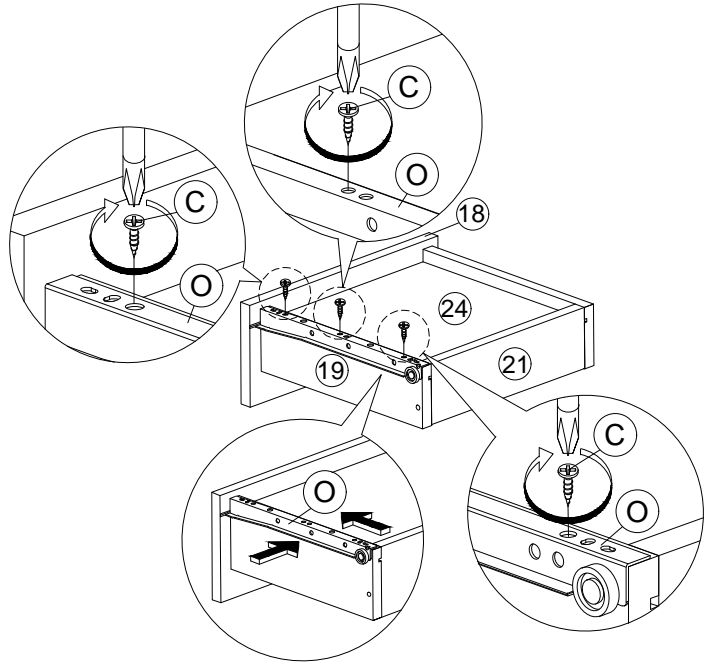
Step 37

C		M3.5x16mm Screw	3Pcs
O		Drawer Slide 350mm - R	1Pc



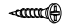

Step 38

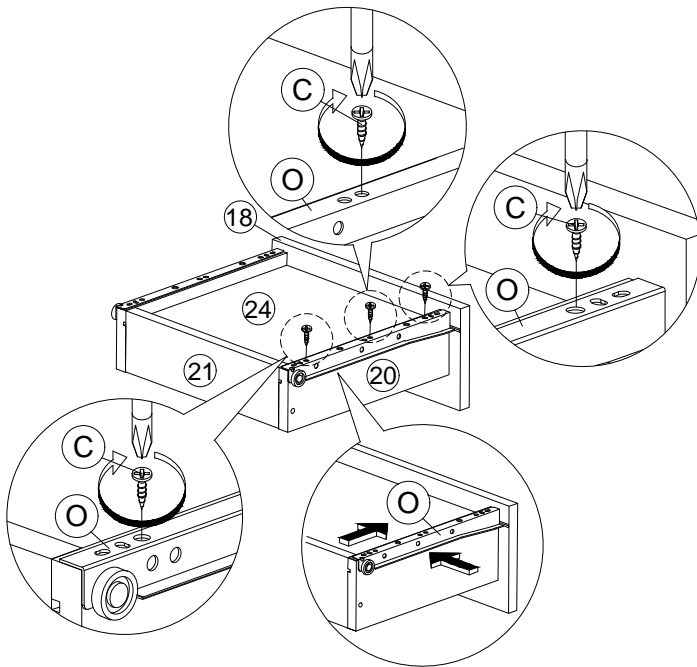
C		M3.5x16mm Screw	3Pcs
O		Drawer Slide 350mm - L	1Pc



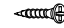

Assembly Instruction

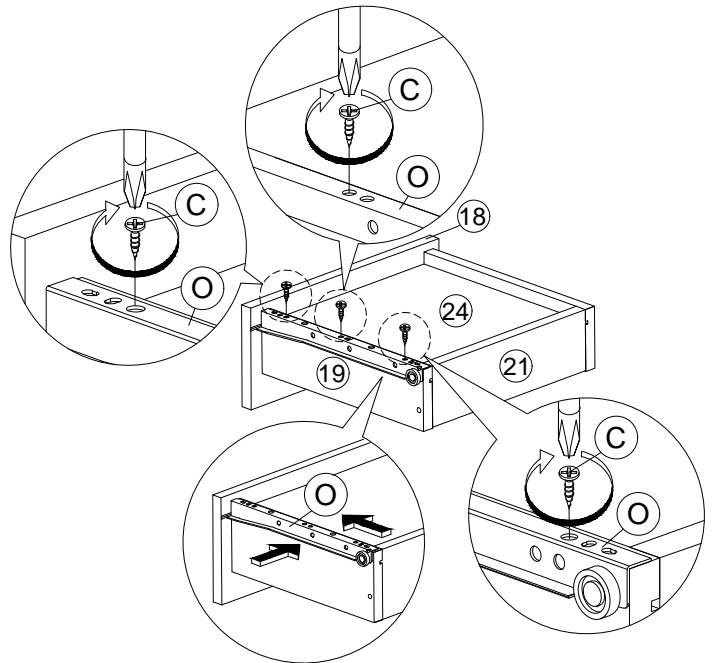
Step 39

C		M3.5x16mm Screw	3Pcs
O		Drawer Slide 350mm - R	1Pc

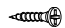



Step 40

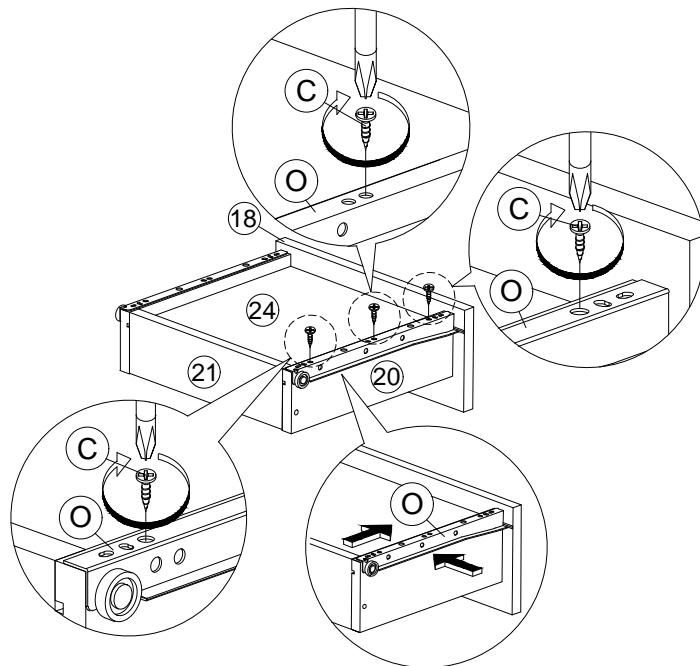
C		M3.5x16mm Screw	3Pcs
O		Drawer Slide 350mm - L	1Pc



Step 41

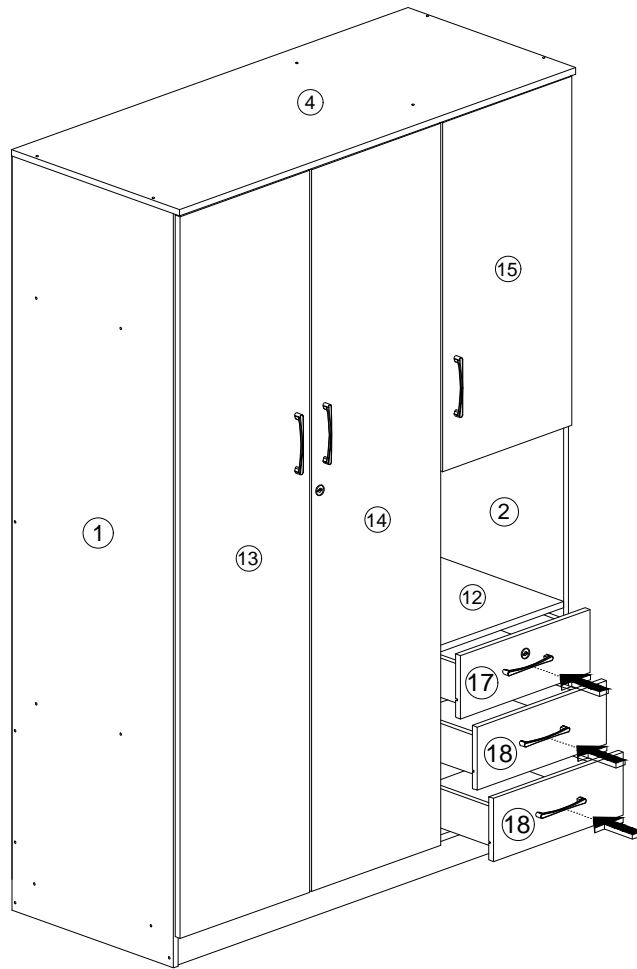
C		M3.5x16mm Screw	3Pcs
---	---	-----------------	------

O		Drawer Slide 350mm - R	1Pc
---	---	------------------------	-----



Assembly Instruction

Step 42



FITTING OF ANTI-TIP SAFETY STRAP

STEP 1:

- Attach the mounting bracket (a) to the furniture in the solid part below the top panel a few inches away from the side of the unit.
- Screw (b) through the smallest hole of (a).

STEP 2:

- Locate a stud in behind the have to
- Place the other mounting bracket (a) on the wall stud 2 inches below the mounting bracket secured to the back of your unit.
- Attach to the wall stud using (c) through the smaller hole of (a).

STEP 3:

- Repeat the same step a few inches away from the other side of the unit.
- Place the furniture into position so both mounting brackets are vertically in line.
- Lace the end of the restraint strap through the larger holes in each mounting bracket.
- Secure the straps and lock into place.

