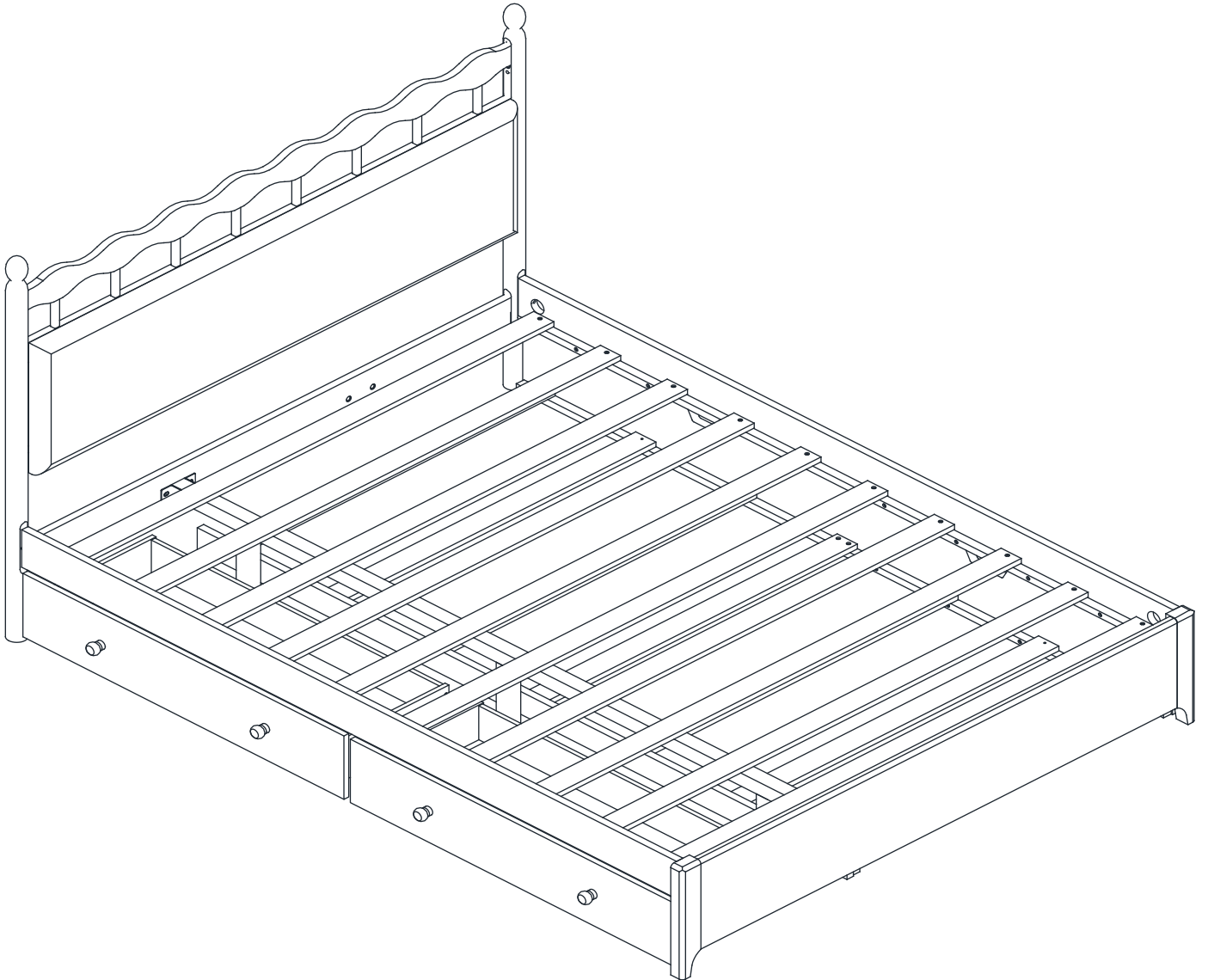
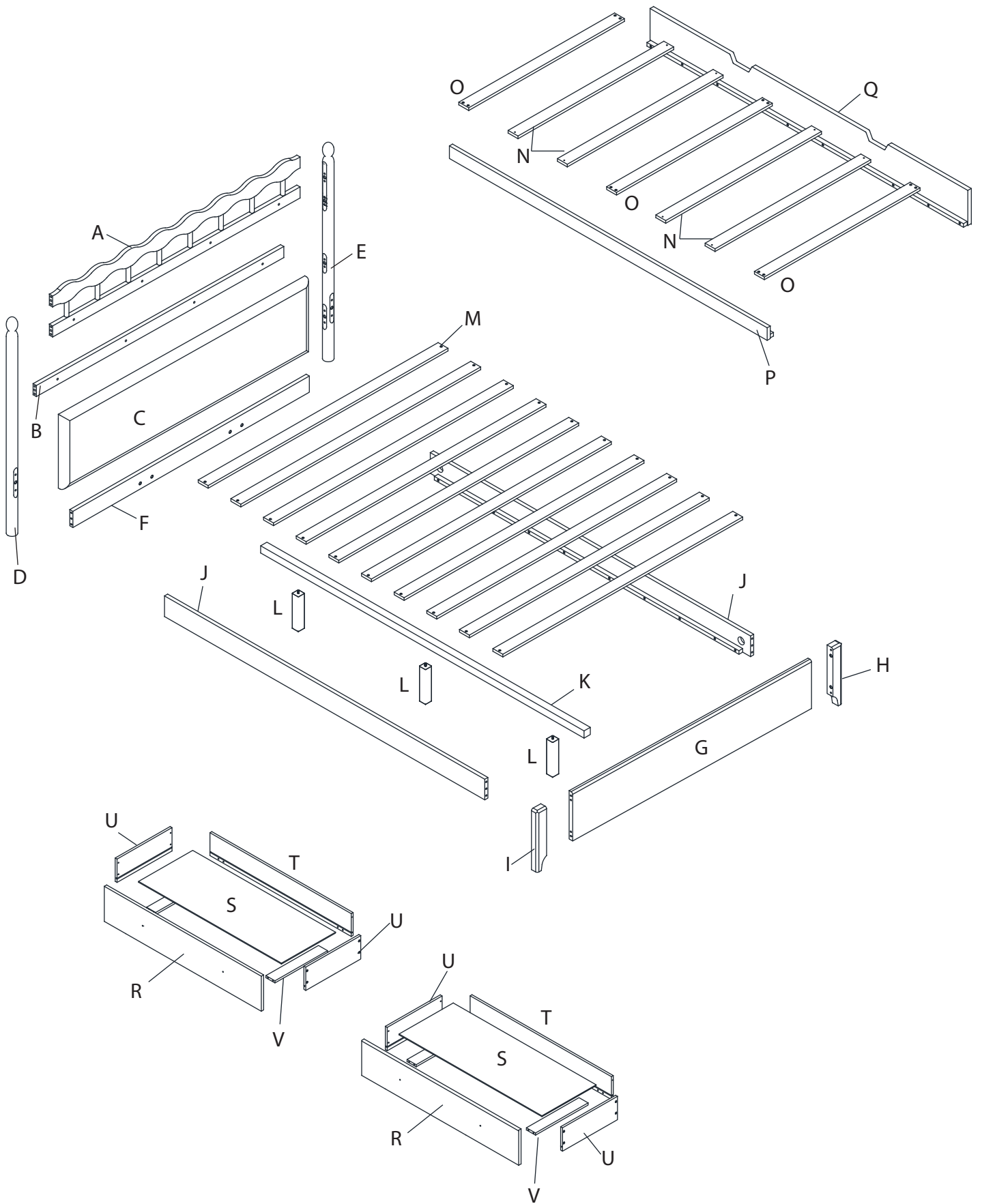


ASSEMBLY INSTRUCTIONS

ITEM CODE: WF321138 + WF321139

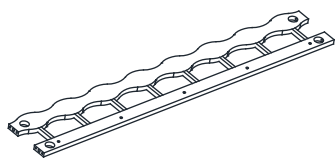


DETAIL VIEW



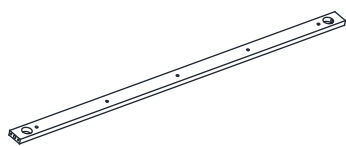
BOX 1 : WF321138

A



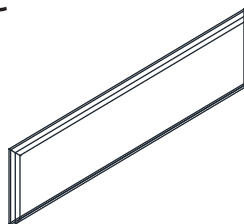
HeadBoard top rail (1pc)

B



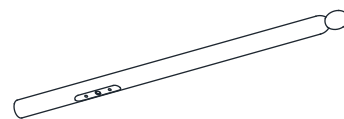
Middle headboard bar (1pc)

C



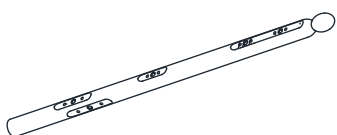
Upholstered headboard (1pc)

D



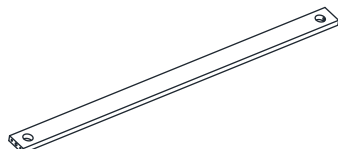
Left headboard leg (1pc)

E



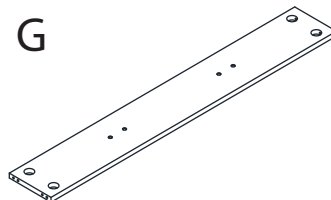
Right headboard leg (1pc)

F



Horizontal rail (1pc)

G



Footboard (1pc)

H



Left footboard leg (1pc)

I



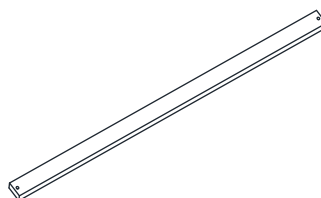
Right footboard leg (1pc)

L



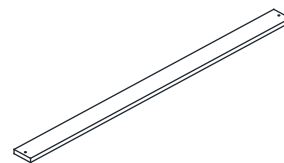
support legs 3(pcs)

M



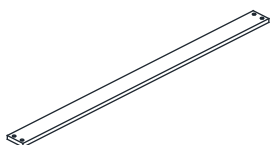
Slats 1 (10pcs)

N



Slats 2 (4pcs)

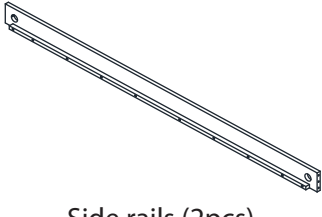
O



Slats 3 (3pcs)

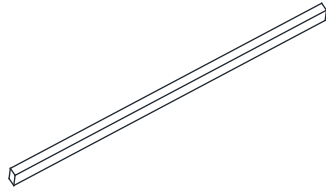
BOX 2 : WF321139

J



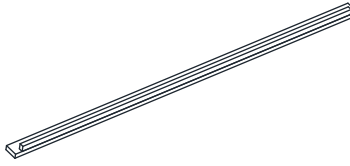
Side rails (2pcs)

K



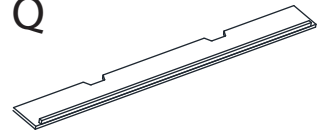
Center support bar 1(pc)

P



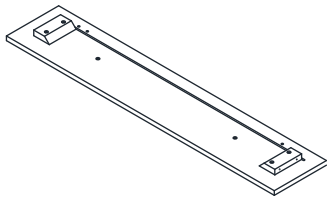
Drawer back panel (1pc)

Q



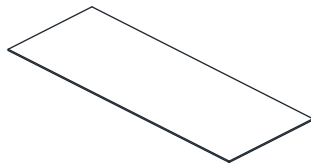
Drawer front panel (1pc)

R



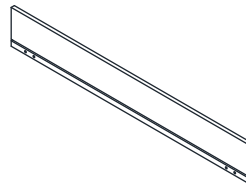
Drawer fronts (2pcs)

S



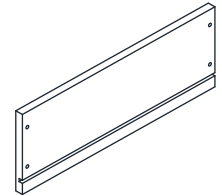
Drawer bottoms (2pcs)

T



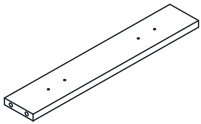
The rear walls of the drawers (2pcs)

U



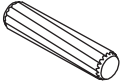
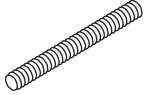
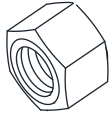

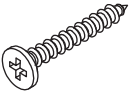

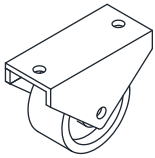
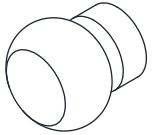

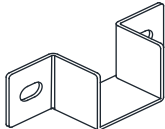
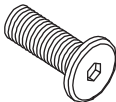
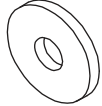

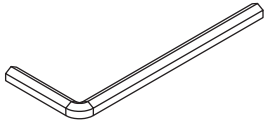

Side walls of the drawers (4pcs)

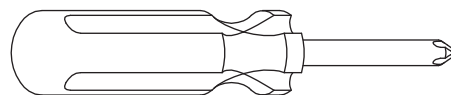
V









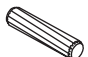
Support bar of drawers (4pcs)

HARDWARE LIST: WF321138

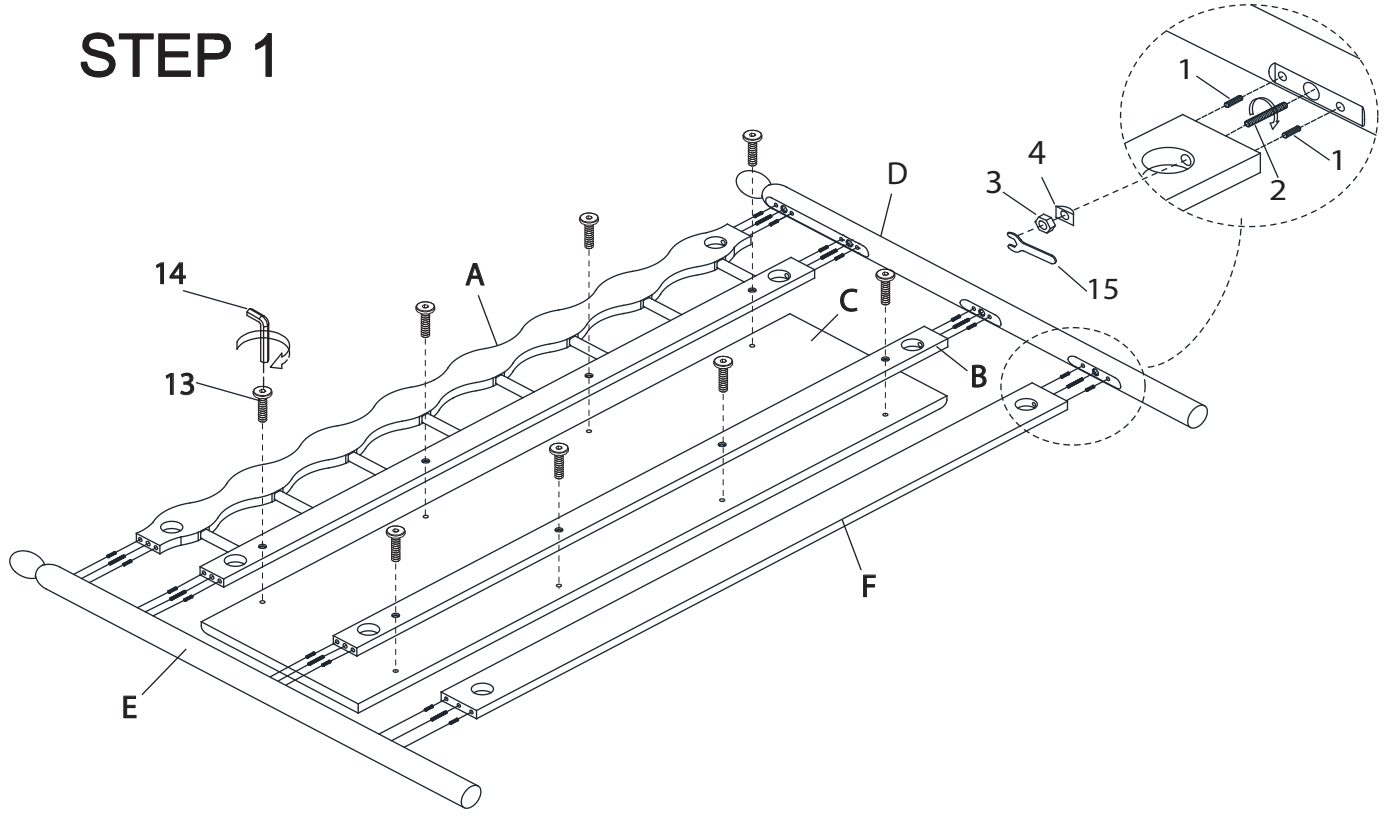
<p>1</p>  <p>Wood dowel Φ8*30mm-(36pcs)</p>	<p>2</p>  <p>Threaded bolts Φ5/16"*83mm (16pcs)</p>	<p>3</p>  <p>Hexagon nuts Φ5/16"(16pcs)</p>	<p>4</p>  <p>Curved washers Φ5/16"(16pcs)</p>
<p>5</p>  <p>Wood screws Φ8*30mm-(64pcs)</p>	<p>6</p>  <p>Round wood crews M3.5*15-(24pcs)</p>	<p>7</p>  <p>Wheel (12pcs)</p>	<p>8</p>  <p>Handles (4pcs)</p>
<p>9</p>  <p>Cross bolts 3/16*25mm(4pcs)</p>	<p>10</p>  <p>U metal plates (2pcs)</p>	<p>11</p>  <p>Hex head bolts 5/16*20mm(4pcs)</p>	<p>12</p>  <p>Washers 5/16*16*1.2mm (4pcs)</p>
<p>13</p>  <p>Hex head bolts 1/4*32mm (8pcs)</p>	<p>14</p>  <p>Allen key K4-1pc</p>	<p>15</p>  <p>Wrench (1pc)</p>	





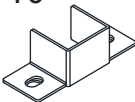






Assembly Tools Required (Not Included)

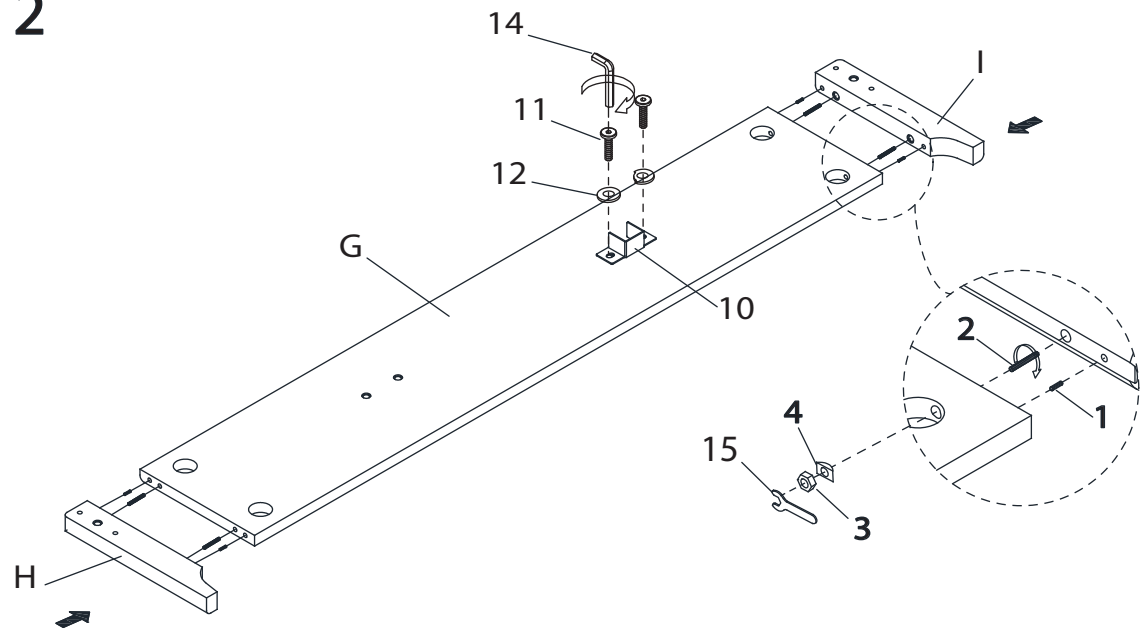
<p>15</p>  <p>Wrench (1pcs)</p>	<p>14</p>  <p>Allen key K4-1pc</p>	<p>13</p>  <p>Hex - head bolts Φ1/4**32mm (8pcs)</p>	<p>4</p>  <p>Curved washers Φ5/16"(8pcs)</p>	<p>3</p>  <p>Hexagon nuts Φ5/16" (8pcs)</p>	<p>2</p>  <p>Threaded bolts Φ5/16**83mm (8pcs)</p>	<p>1</p>  <p>Wood dowel Φ8*30mm (16pcs)</p>
---	--	--	--	---	--	---

STEP 1

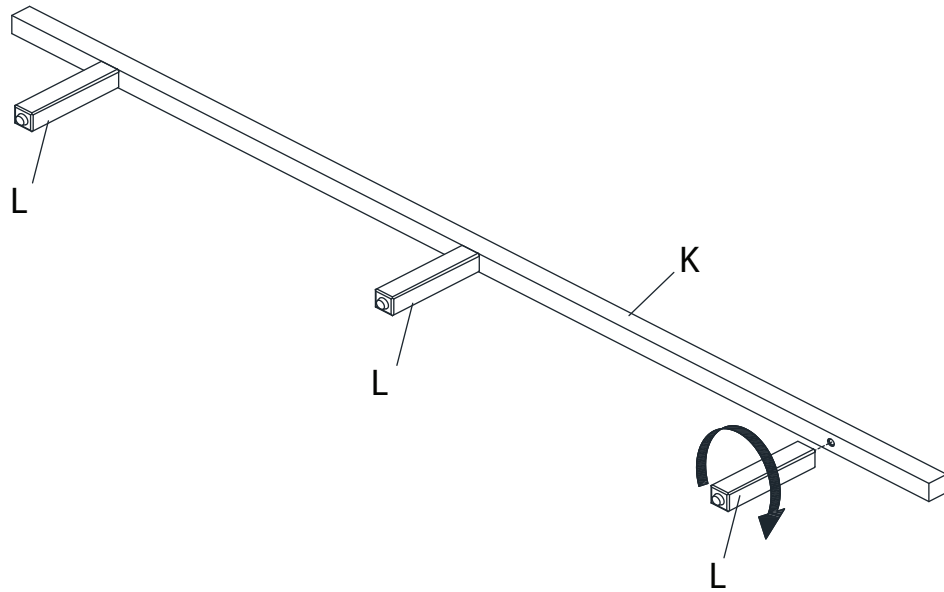






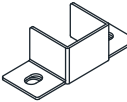



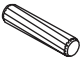
<p>15</p>  <p>Wrench (1pcs)</p>	<p>14</p>  <p>Allen key K4-1pc</p>	<p>12</p>  <p>Washers Φ5/16*16*1.2mm (2pcs)</p>	<p>11</p>  <p>Hex - head bolts Φ5/16*20mm(2pcs)</p>	<p>10</p>  <p>U metal plates (1pcs)</p>	<p>4</p>  <p>Curved washers Φ5/16"(4pcs)</p>	<p>3</p>  <p>Hexagon nuts Φ5/16" (4pcs)</p>	<p>2</p>  <p>Threaded bolts Φ5/16**83mm (4pcs)</p>	<p>1</p>  <p>Wood dowel Φ8*30mm (4pcs)</p>
--	--	---	---	---	--	---	--	--

STEP 2

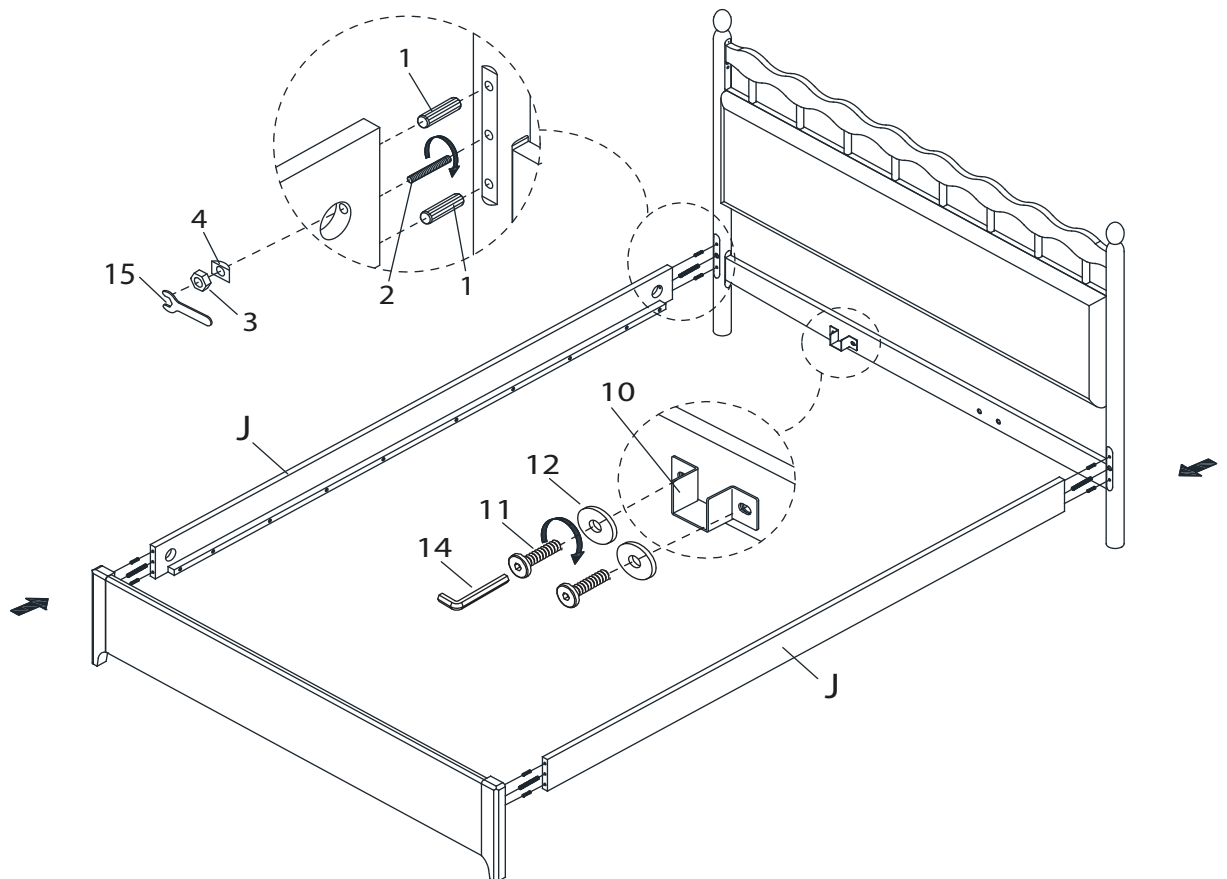


STEP 3

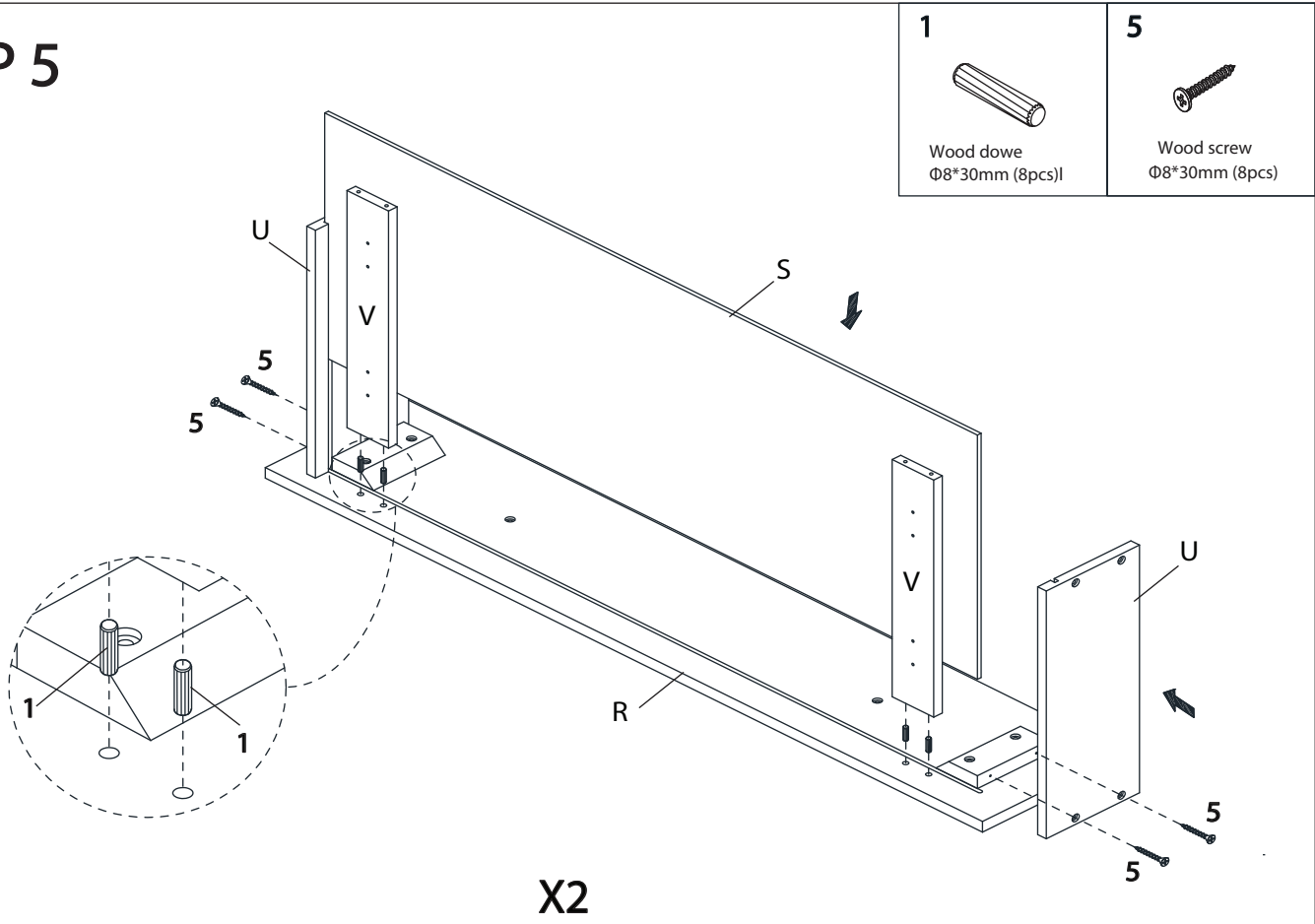


<p>15</p>  <p>Wrench (1pcs)</p>	<p>14</p>  <p>Allen key K4-1pc</p>	<p>12</p>  <p>Washers 5/16*16*1.2mm (2pcs)</p>	<p>11</p>  <p>Hex - head bolts $\Phi 5/16 \times 20\text{mm}$ (2pcs)</p>	<p>10</p>  <p>U metal plates (1pcs)</p>	<p>4</p>  <p>Curved washers $\Phi 5/16$ (4pcs)</p>	<p>3</p>  <p>Hexagon nuts $\Phi 5/16$ (4pcs)</p>	<p>2</p>  <p>Threaded bolts $\Phi 5/16 \times 83\text{mm}$ (4pcs)</p>	<p>1</p>  <p>Wood dowel $\Phi 8 \times 30\text{mm}$ (8pcs)</p>
---	---	---	--	---	--	--	---	--

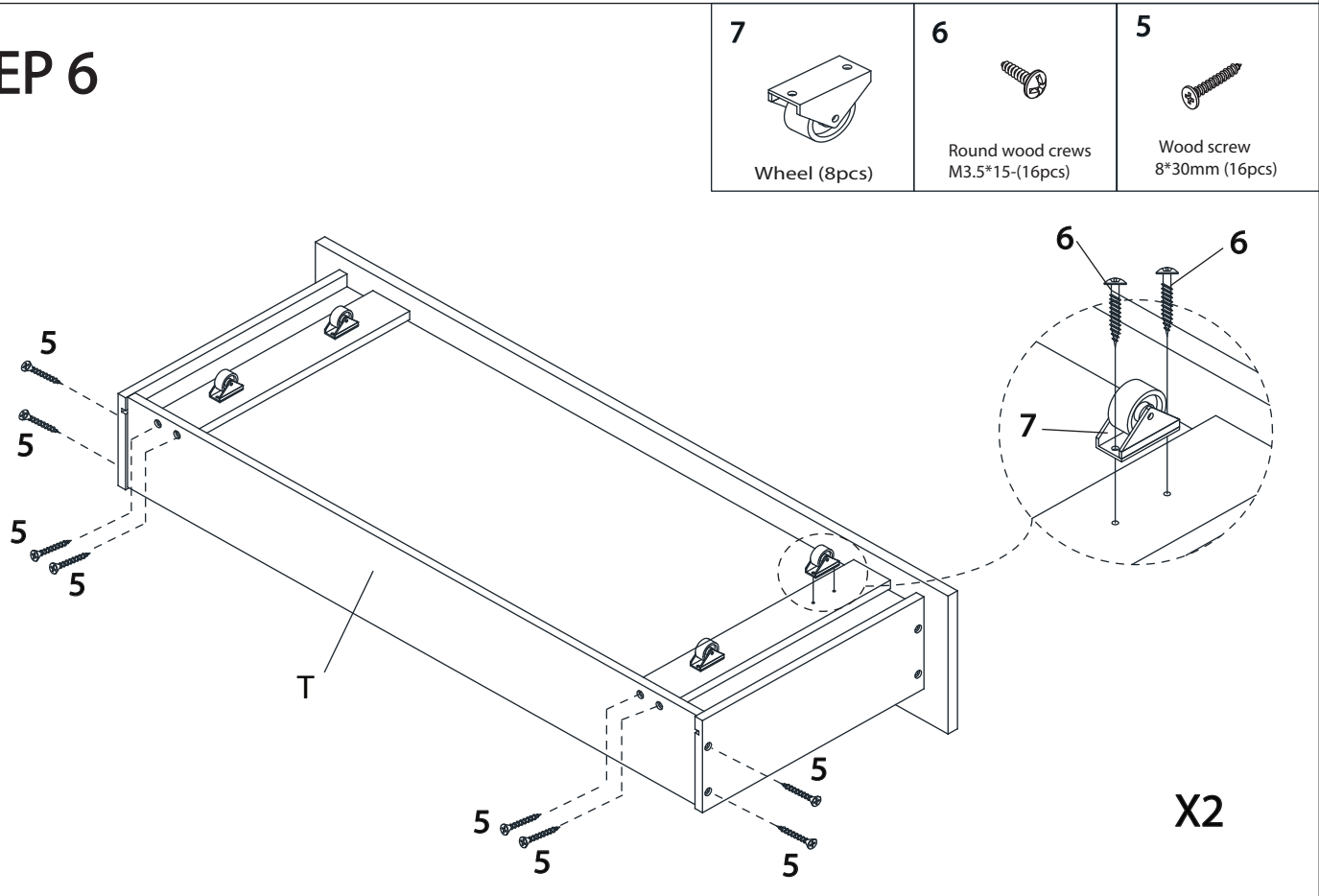
STEP 4



STEP 5



STEP 6



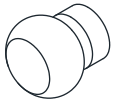
STEP 7

9

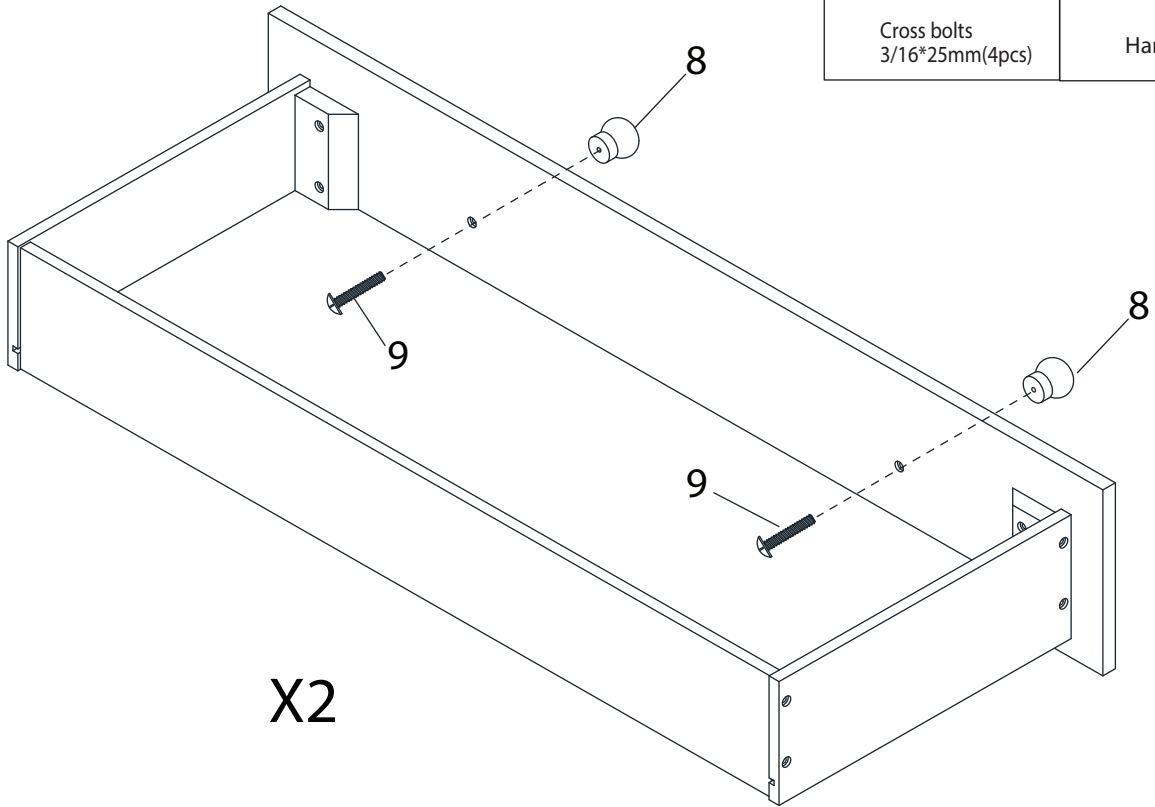


Cross bolts
3/16*25mm(4pcs)

8

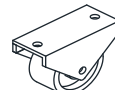


Handles (4pcs)



STEP 8

7



Wheel (4pcs)

6

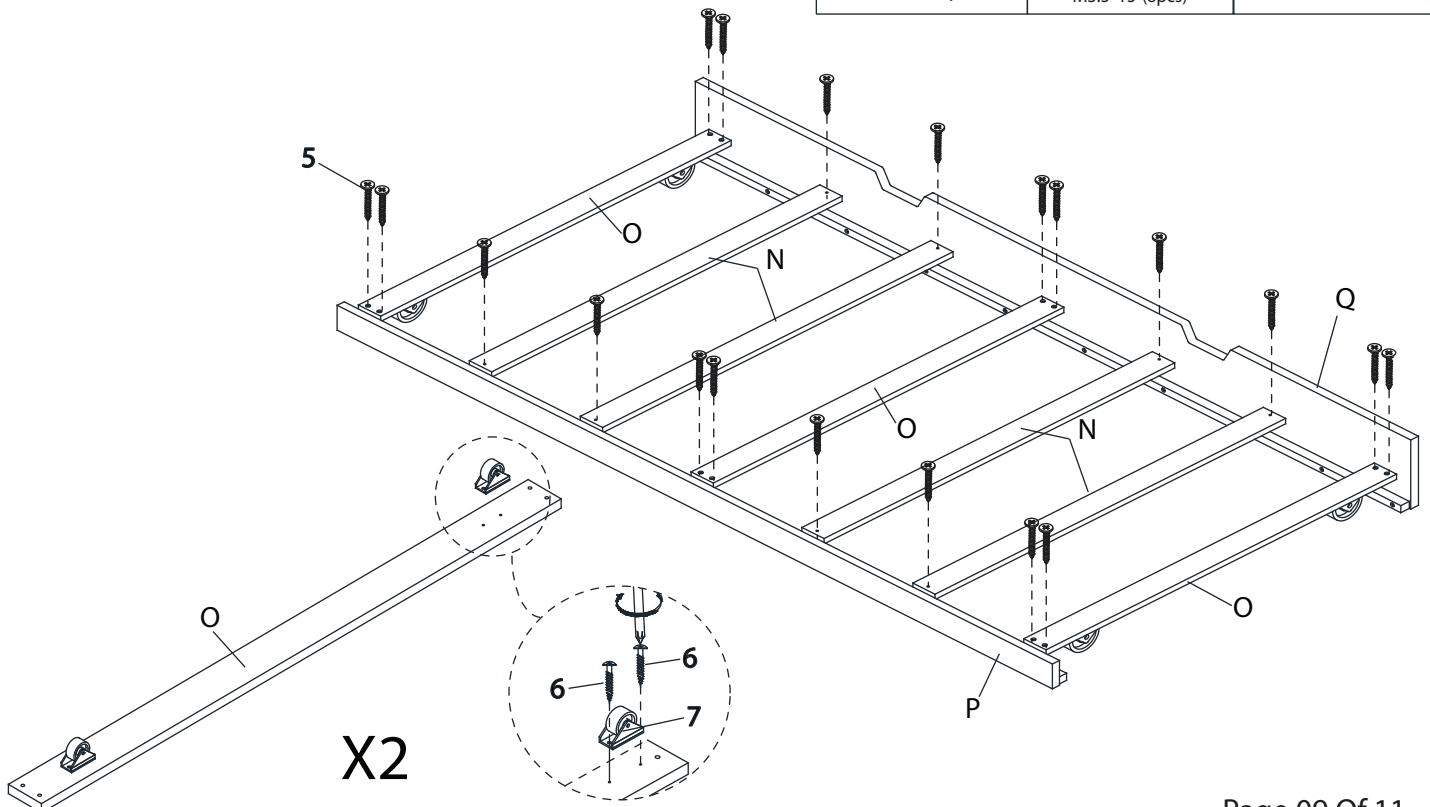


Round wood crews
M3.5*15-(8pcs)

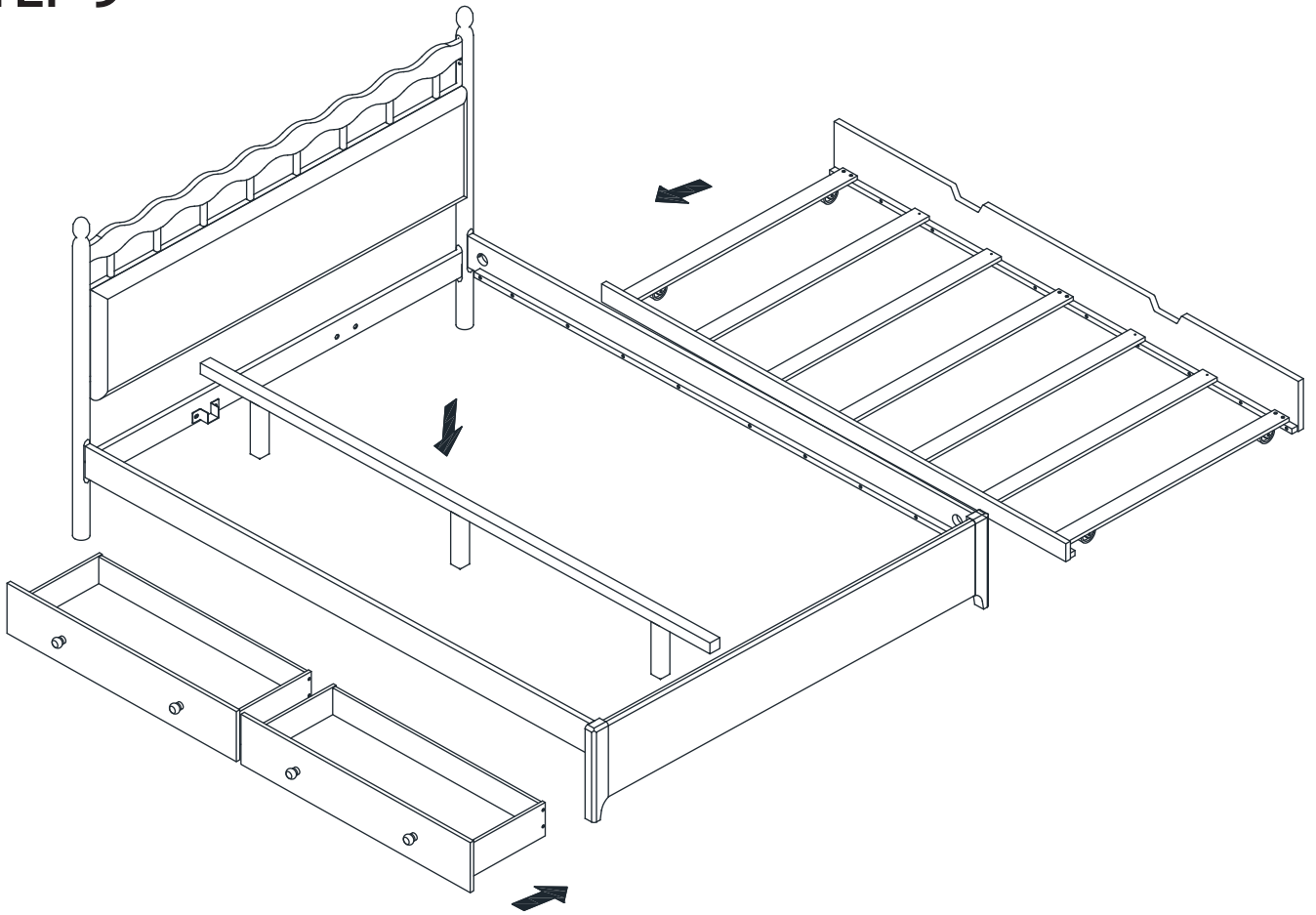
5



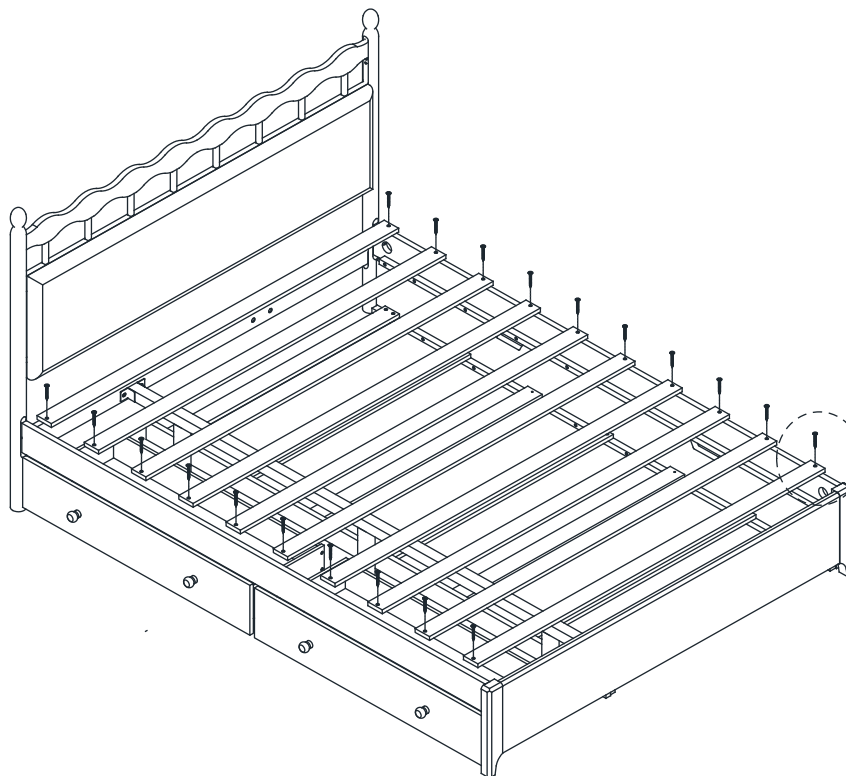
Wood screw 8*30mm (20pcs)



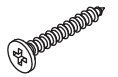
STEP 9



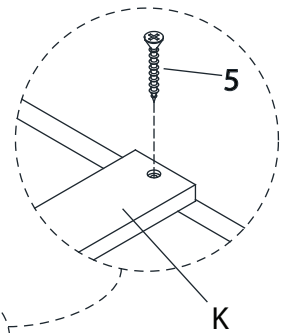
STEP 10



5



Wood screw
8*30mm (20pcs)



COMPLETED

