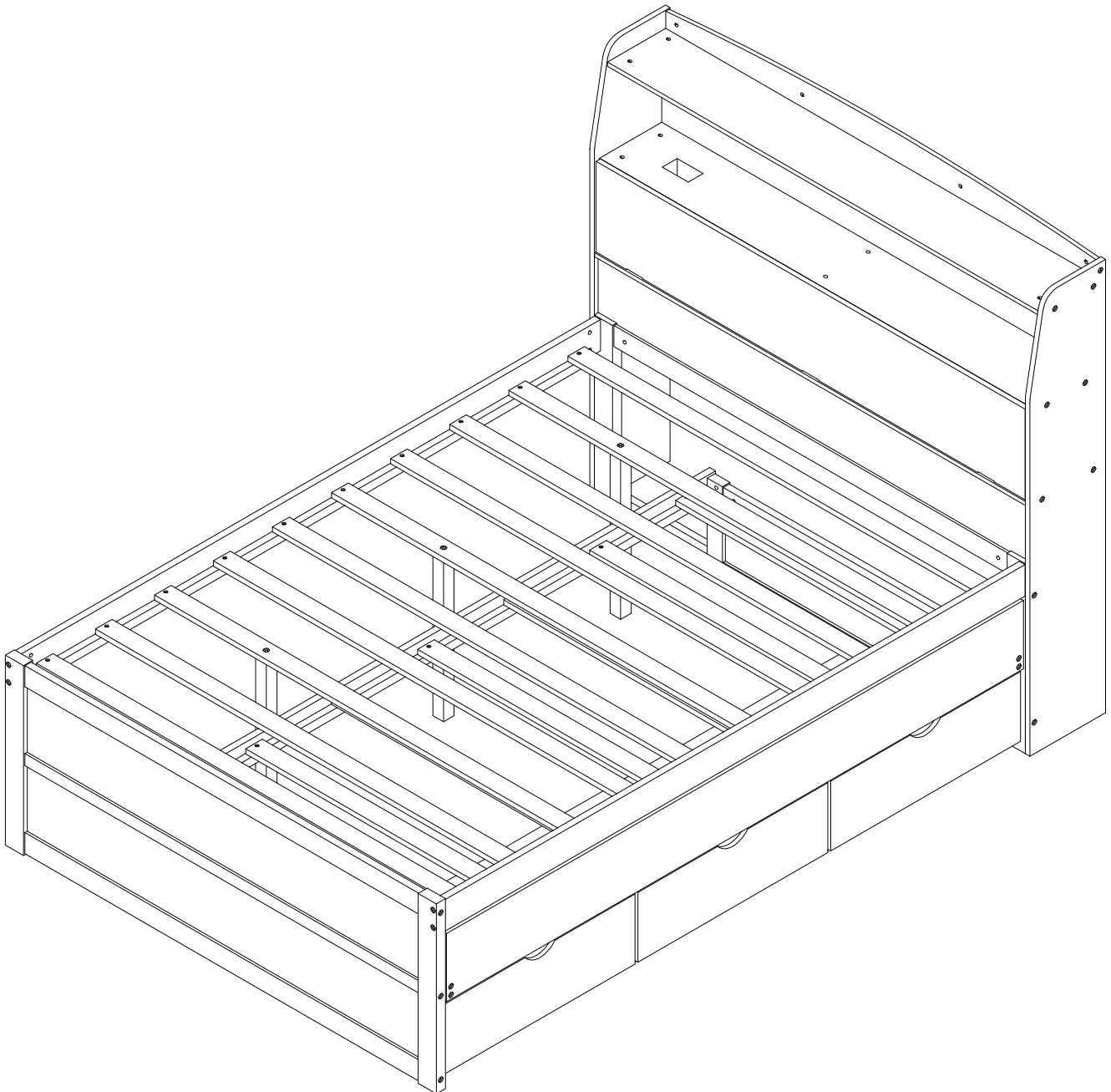


ASSEMBLY INSTRUCTION

SKU CODE: (WF316647-WF316648)

This set includes 2 boxes if don't receive full 2 boxes please contact our customer service team



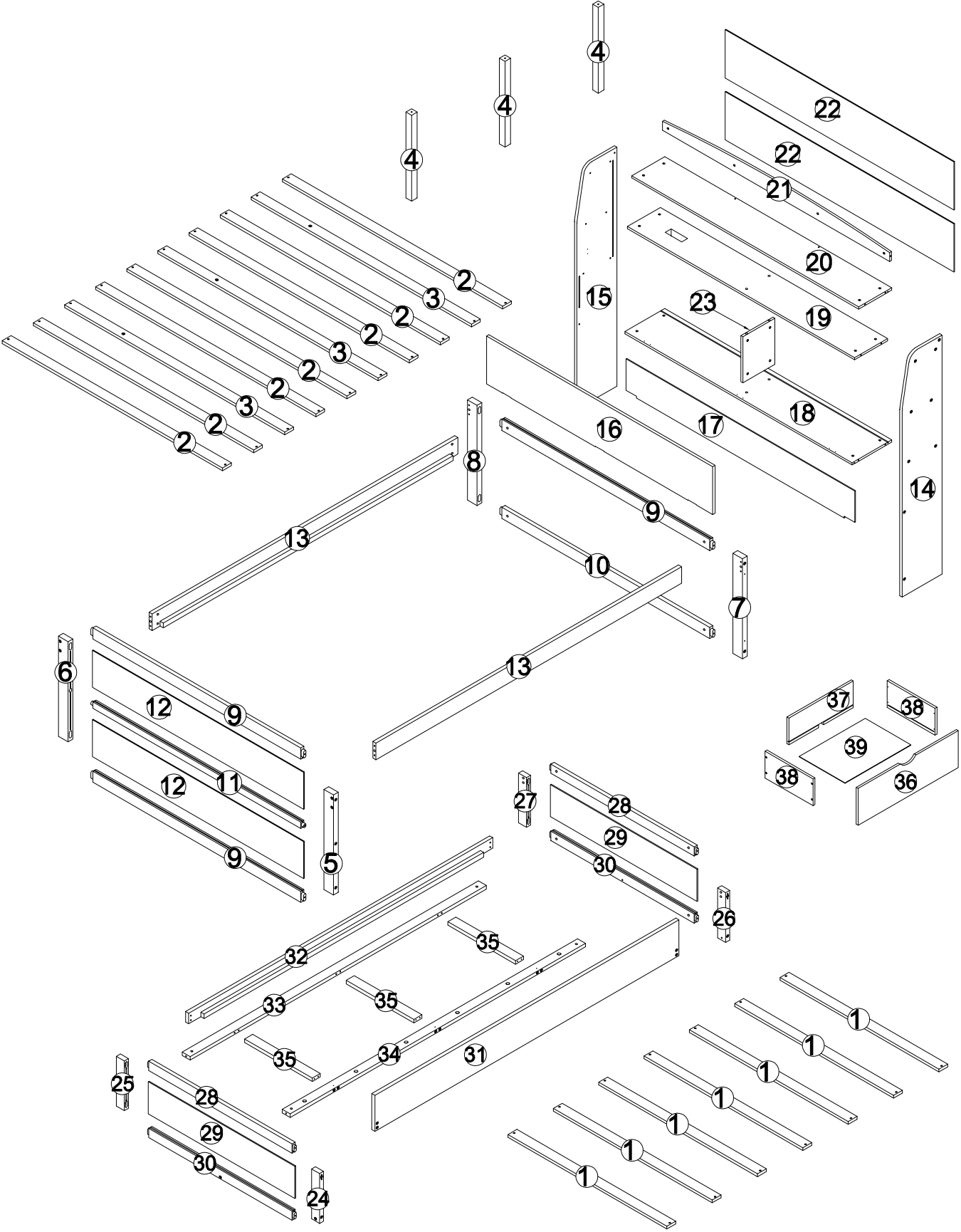
SAFETY WARNINGS AND GENERAL NOTES:

1. Do not use substitute parts. Contact the manufacturer or dealer for replacement parts.
2. Keep these instructions for future reference.
3. We recommend assembling your bed on the shipping carton to protect your floor or carpet.
4. Be certain all staples are out of the box before beginning assembly on the shipping carton.


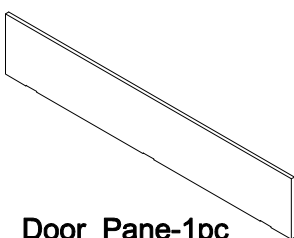
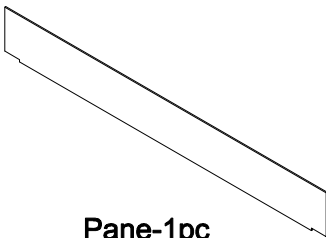
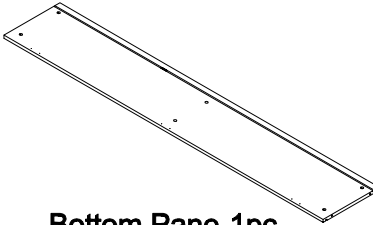
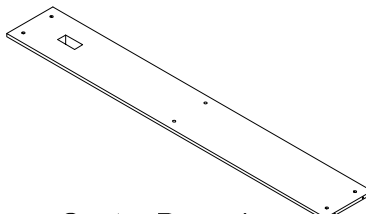
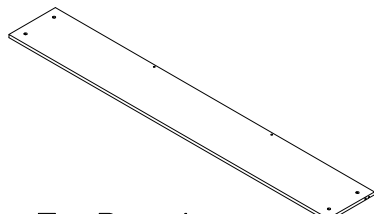





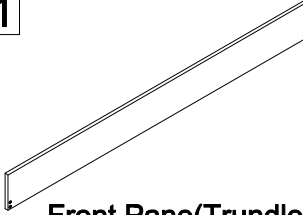
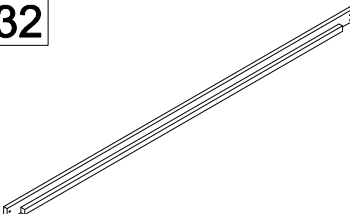
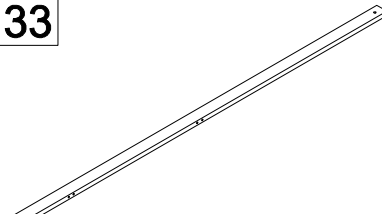
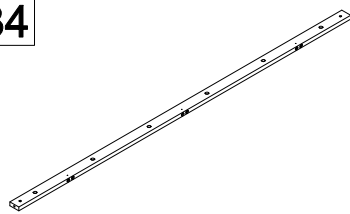
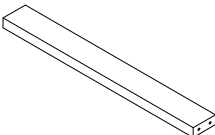
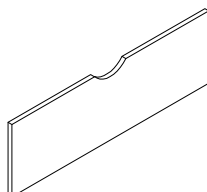
5.Replacement Parts:

Replacement Parts, including additional guardrails, may be obtained from any of our (GIGACLOUD TECHNOLOGY (USA) INC.) dealers

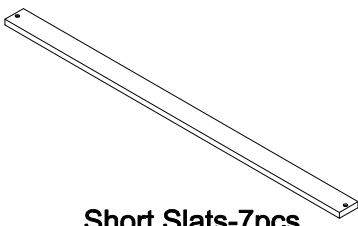

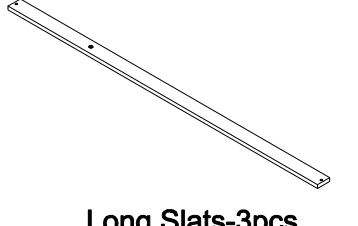

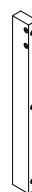



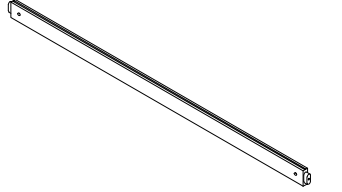
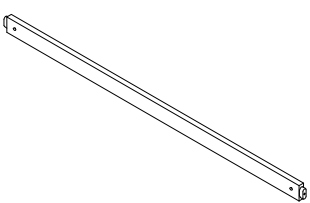
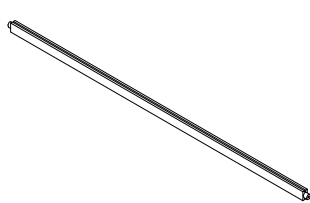
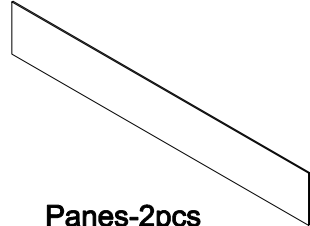


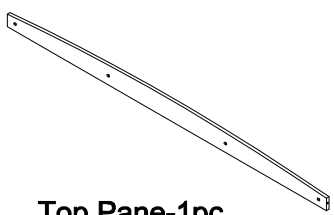
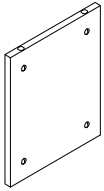
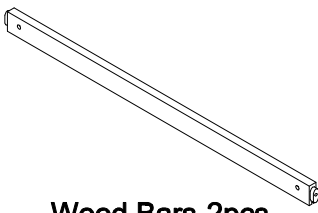
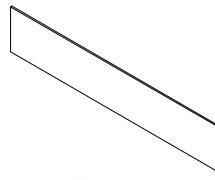
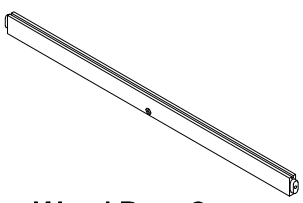
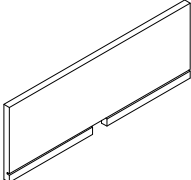
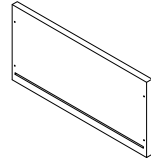
ASSEMBLY INSTRUCTION



Part List (Box 1-WF316647)

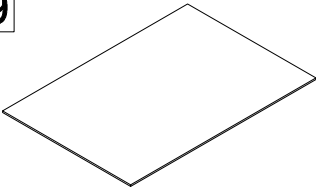
<p>13</p>  <p>Side Rails-2pcs</p>	<p>16</p>  <p>Door Pane-1pc</p>	<p>17</p>  <p>Pane-1pc</p>
<p>18</p>  <p>Bottom Pane-1pc</p>	<p>19</p>  <p>Center Pane-1pc</p>	<p>20</p>  <p>Top Pane-1pc</p>
<p>22</p>  <p>Back Panes-2pcs</p>	<p>24</p>  <p>Leg-1pc</p>	<p>25</p>  <p>Leg-1pc</p>
<p>26</p>  <p>Leg-1pc</p>	<p>27</p>  <p>Leg-1pc</p>	<p>31</p>  <p>Front Pane(Trundle)-1pc</p>
<p>32</p>  <p>Back Pane(Trundle)-1pc</p>	<p>33</p>  <p>Rail(Center)-1pc</p>	<p>34</p>  <p>Rail(Front)-1pc</p>
<p>35</p>  <p>Rails-3pcs</p>	<p>36</p>  <p>Drawer-Front Panes-3pcs</p>	

Part List & Hardware List (Box 2-WF316648)

<p>1</p>  <p>Short Slats-7pcs</p>	<p>2</p>  <p>Long Slats-7pcs</p>	<p>3</p>  <p>Long Slats-3pcs</p>
<p>4</p>  <p>Center Legs-3pcs</p>	<p>5</p>  <p>Leg-1pc</p>	<p>6</p>  <p>Leg-1pc</p>
<p>7</p>  <p>Leg-1pc</p>	<p>8</p>  <p>Leg-1pc</p>	<p>9</p>  <p>Wood Bars-3pcs</p>
<p>10</p>  <p>Wood Bar-1pc</p>	<p>11</p>  <p>Wood Bar-1pc</p>	<p>12</p>  <p>Panels-2pcs</p>
<p>14</p>  <p>Side Panel-1pc</p>	<p>15</p>  <p>Side Panel-1pc</p>	<p>21</p>  <p>Top Panel-1pc</p>
<p>23</p>  <p>Center Panel-1pc</p>	<p>28</p>  <p>Wood Bars-2pcs</p>	<p>29</p>  <p>Panels-2pcs</p>
<p>30</p>  <p>Wood Bars-2pcs</p>	<p>37</p>  <p>Drawer-Back Panels-3pcs</p>	<p>38</p>  <p>Drawer-Side Panels-6pcs</p>

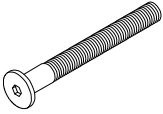

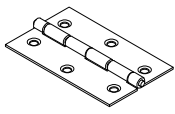
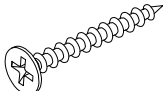
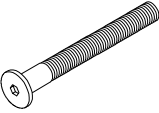

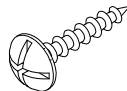
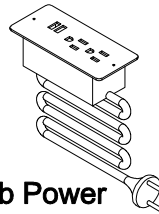
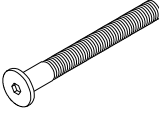
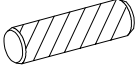

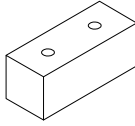
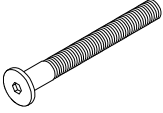
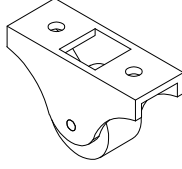
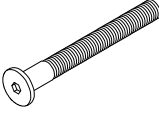


Part List & Hardware List (Box 2-WF316648)

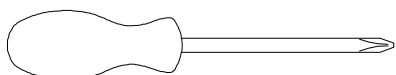
39



Drawer-Bottom Panes-3pcs

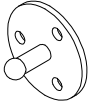
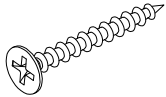
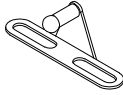
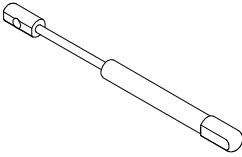
Hardware List (Box 2-WF316648)

<p>A</p>  <p>Screws 1/4" x100 10pcs</p>	<p>B</p>  <p>Ø1/4" x 13 mm Horizontal-Hole bolts 58pcs</p>	<p>E</p>  <p>Leaf hinge 3pcs</p>
<p>F</p>  <p>M3 x 12 mm Wood Screws 29pcs</p>	<p>N</p>  <p>Screws 1/4" x60 32pcs</p>	<p>P</p>  <p>Screws 1/4" x50 4pcs</p>
<p>Q</p>  <p>M4 x 15 mm Wood Screws 18pcs</p>	<p>R</p>  <p>USB Power 1Pc</p>	<p>S</p>  <p>Screws 1/4" x80 8pcs</p>
<p>T</p>  <p>Ø10 x 40 mm Wood dowel 4pcs</p>	<p>U</p>  <p>M4 x 30 mm Wood Screws 65pcs</p>	<p>V</p>  <p>Stop Trundle 2pcs</p>
<p>X</p>  <p>Screws 1/4"x30 3pcs</p>	<p>Y</p>  <p>Wheels(28H) 5pcs</p>	<p>Z</p>  <p>Screws 1/4" x90 8pcs</p>
<p>O</p>  <p>Screws 1/4" x80 12pcs</p>	<p>I</p>  <p>Allen Key 1pc</p>	

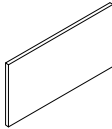
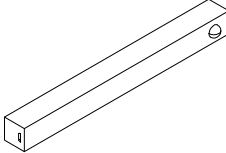
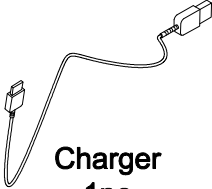


Assembly Tools Required (Not Included)

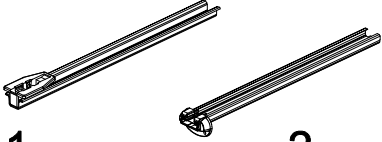
Hardware List (Box 2-WF316648)-Piston cover

C  Detail C 2pcs	D  M3 x 15 mm Wood Screws 10pcs	G  Detail G 2pcs
H  Detail H 2pcs		

Box Of Led Light (Box 2-WF316648)


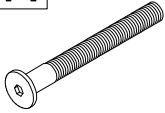
K  Magnet leaf 4pcs	L  Led Light 1pc	M  Charger 1pc
--	---	---

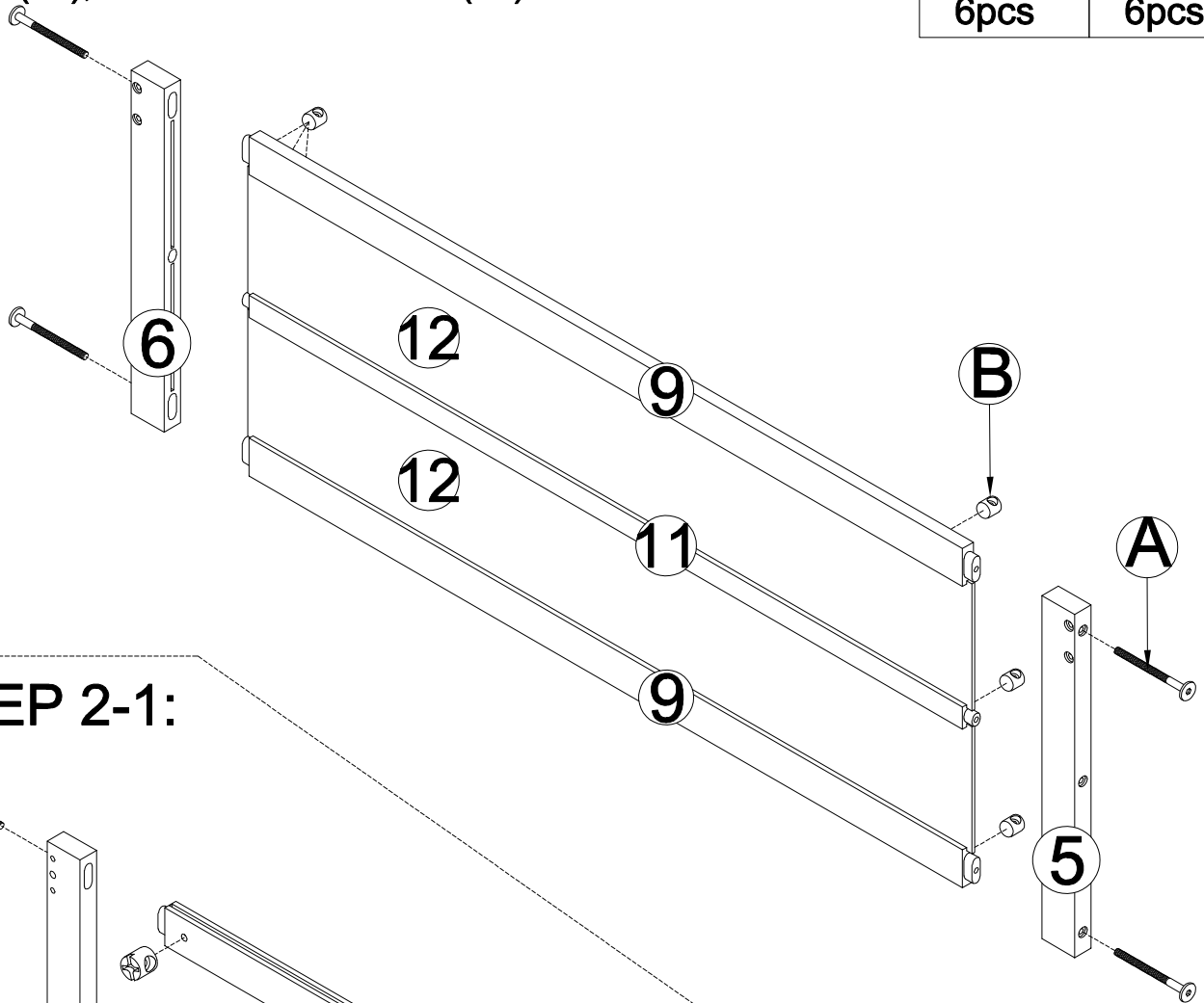
Runner (Box 1-WF316647)

W  1 2 Runner(3 set) 300*30mm
--

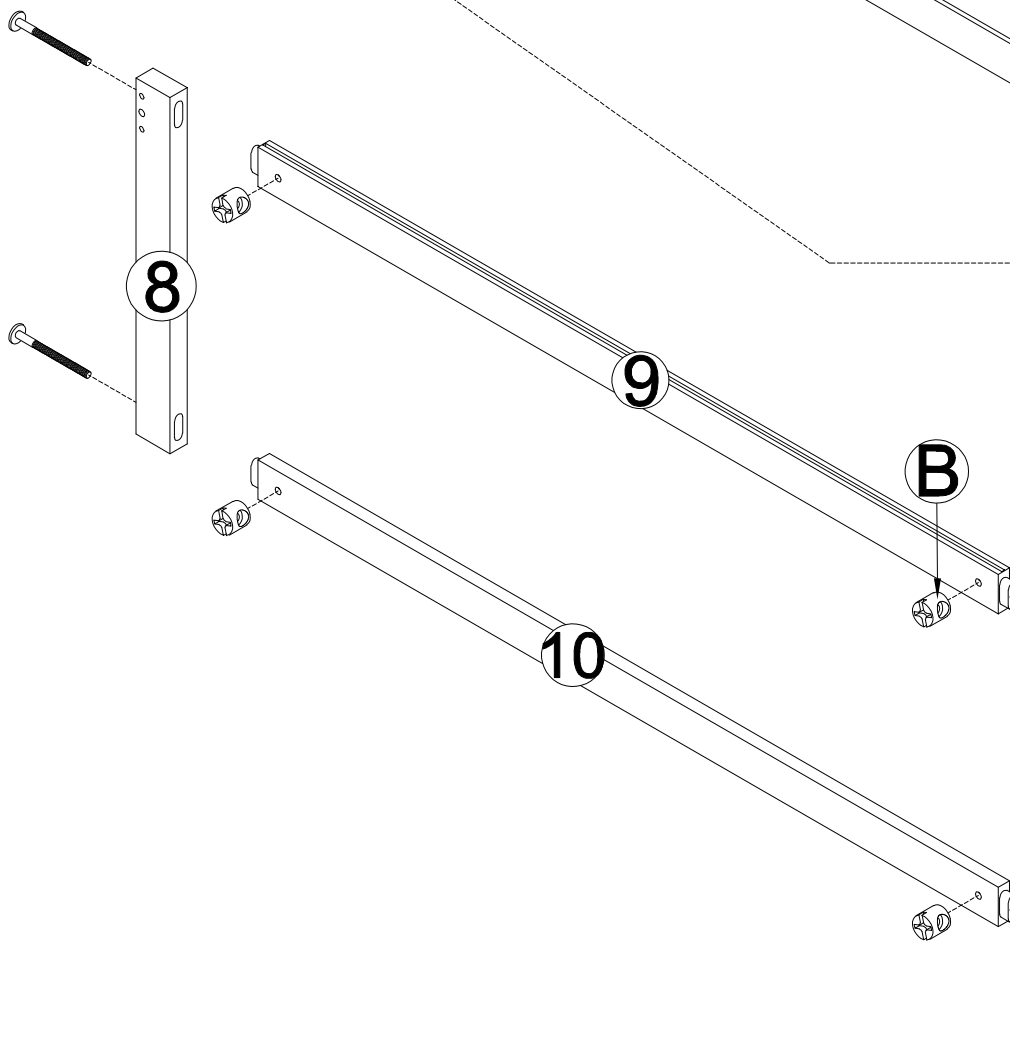
STEP 1:


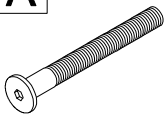
-Using HW #A,#B to connect 5,6 Legs with 9(x2),11 Wood Bars and 12(x2) Panes

B		A	
6pcs		6pcs	

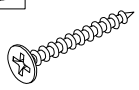
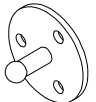


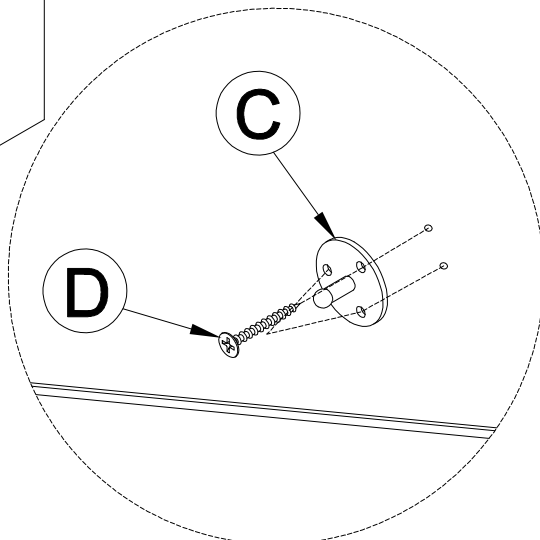
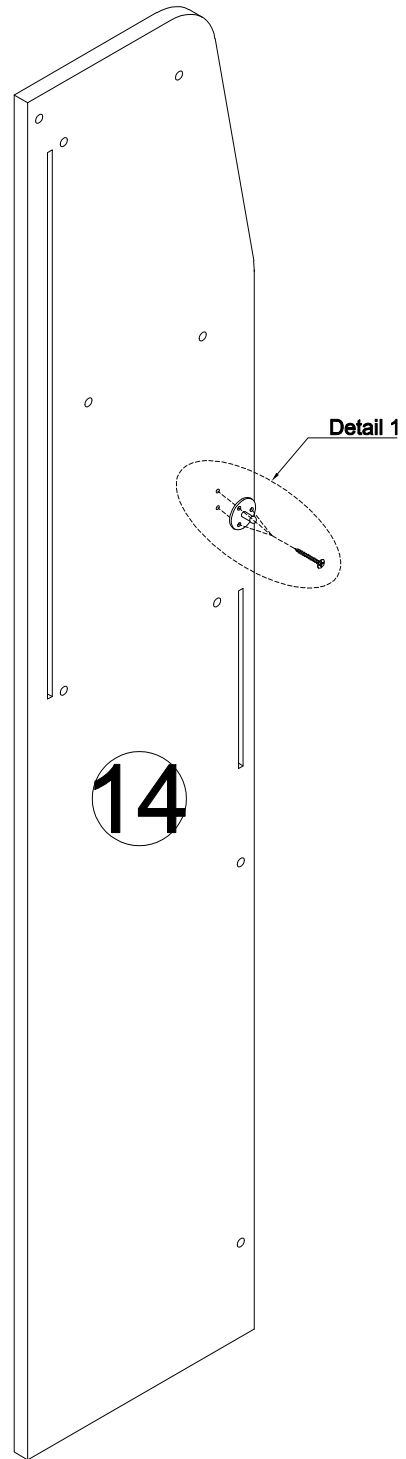
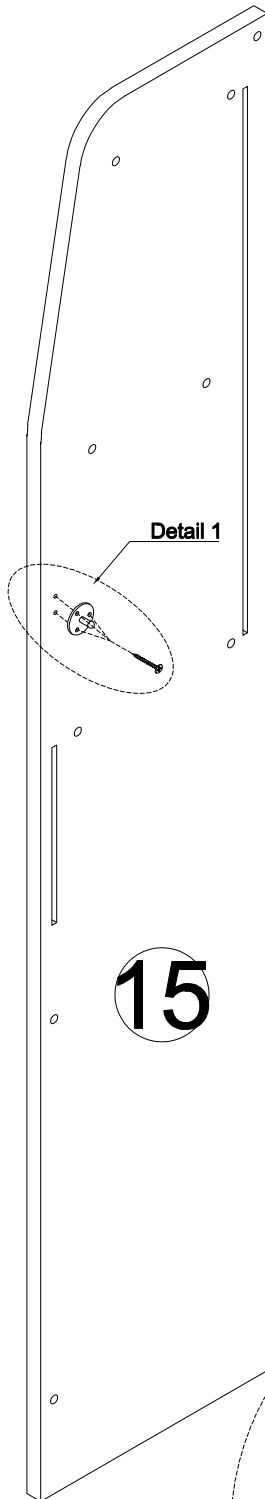
STEP 2-1:



B		A	
4pcs		4pcs	

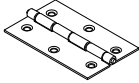
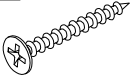
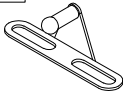
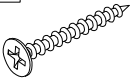
STEP 2-2:

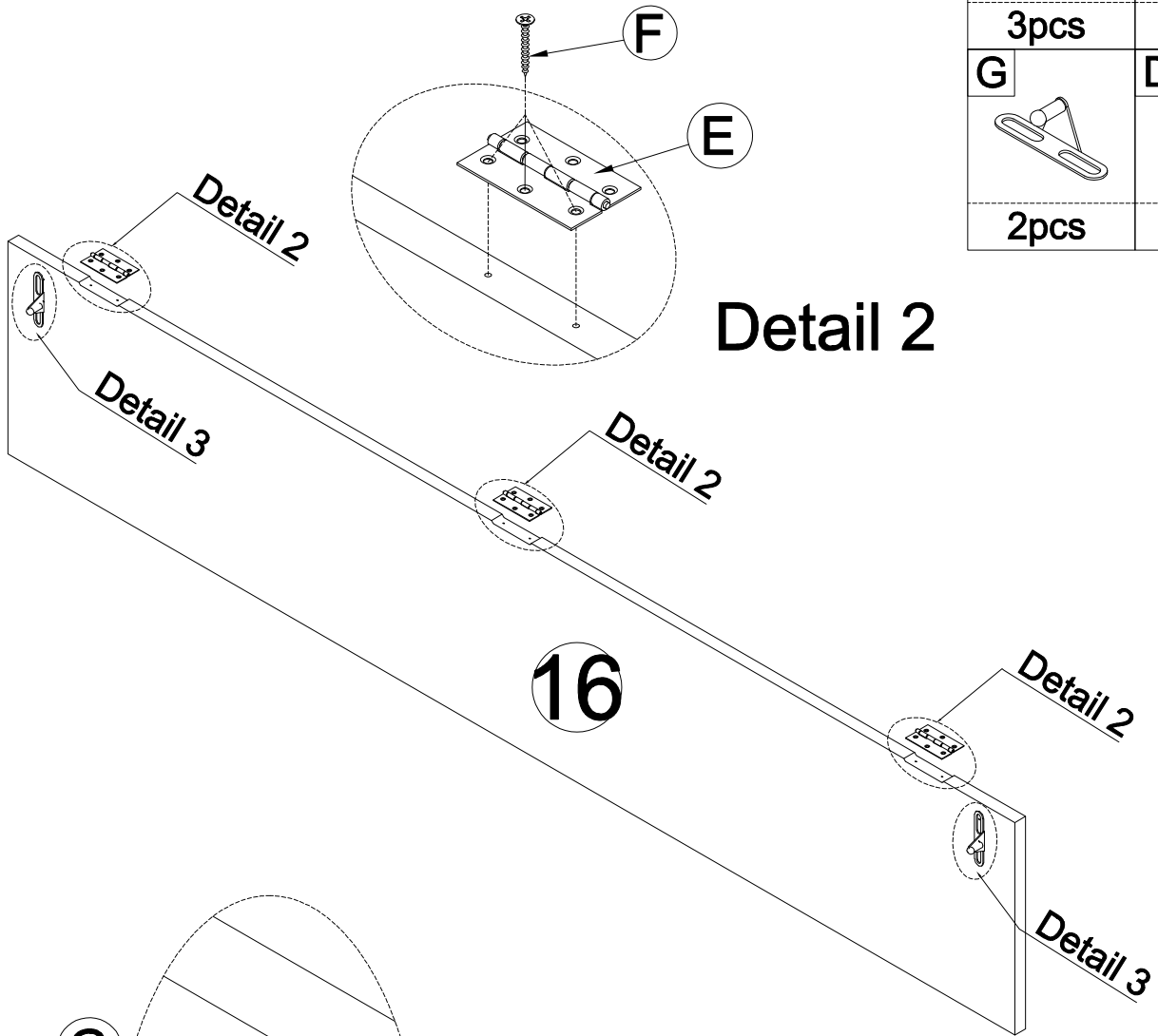
D		C	
6pcs		2pcs	



Detail 1(x2)

STEP 2-3:

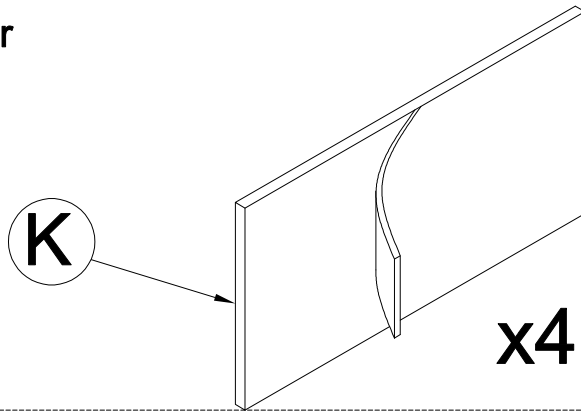
E 	F 
3pcs	9pcs
G 	D 
2pcs	4pcs



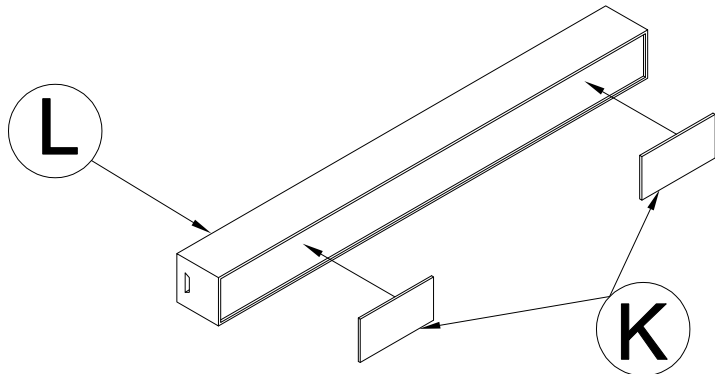
Detail 2

Detail 3

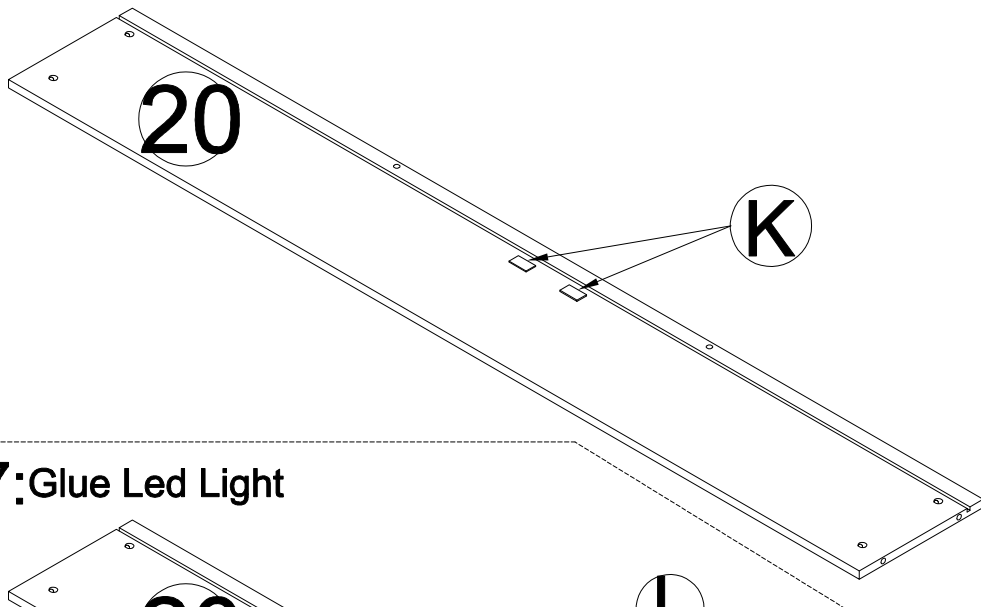
STEP 2-4: Peel off the rubber



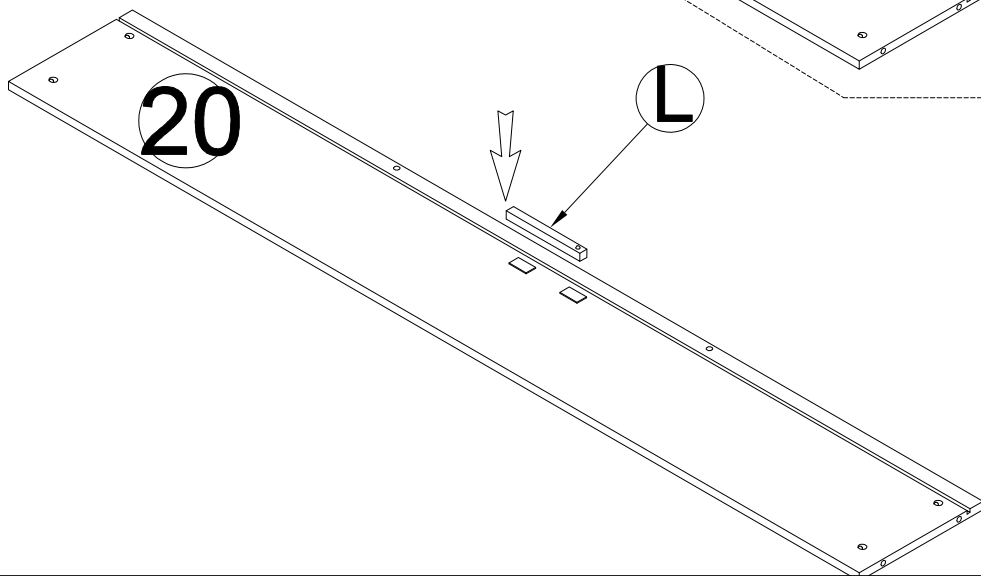
STEP 2-5: Glue 2 magnets to the led light



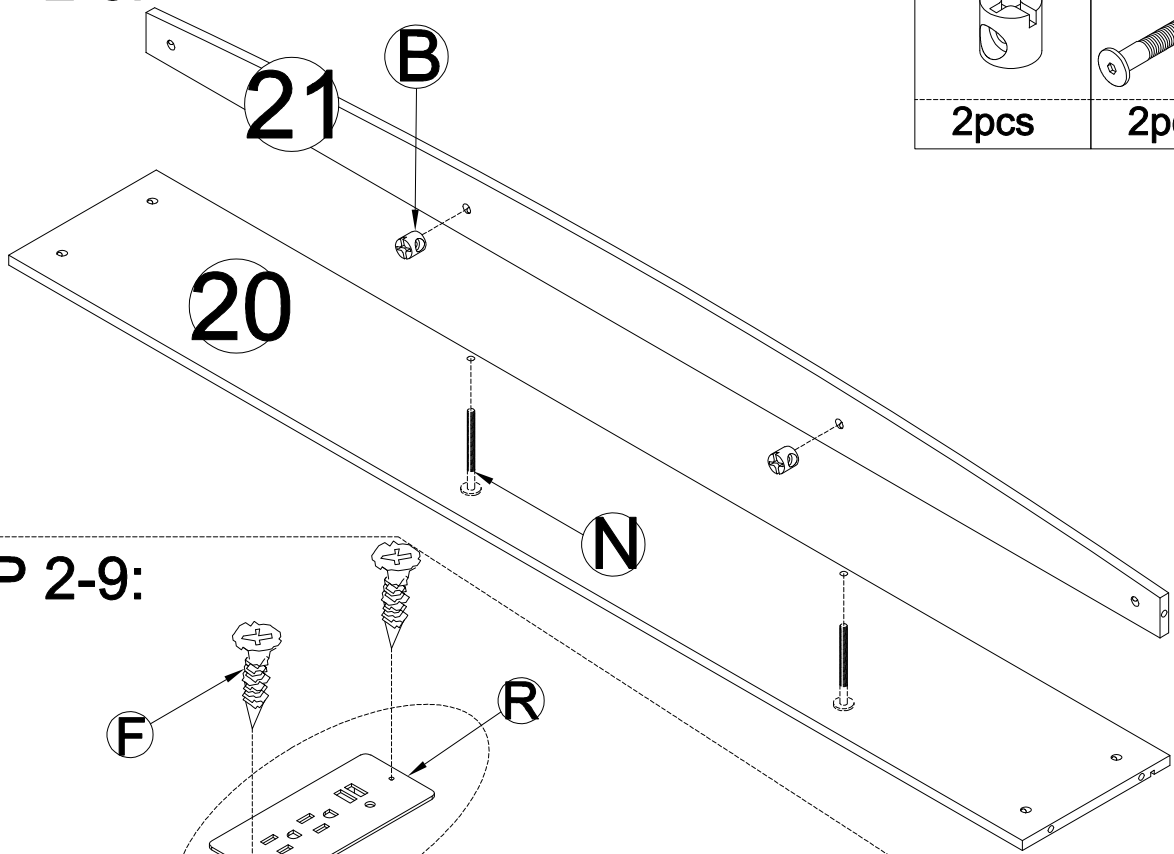
STEP 2-6: Glue 2 magnets to the 20 Pane


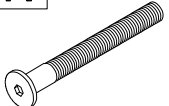


STEP 2-7: Glue Led Light

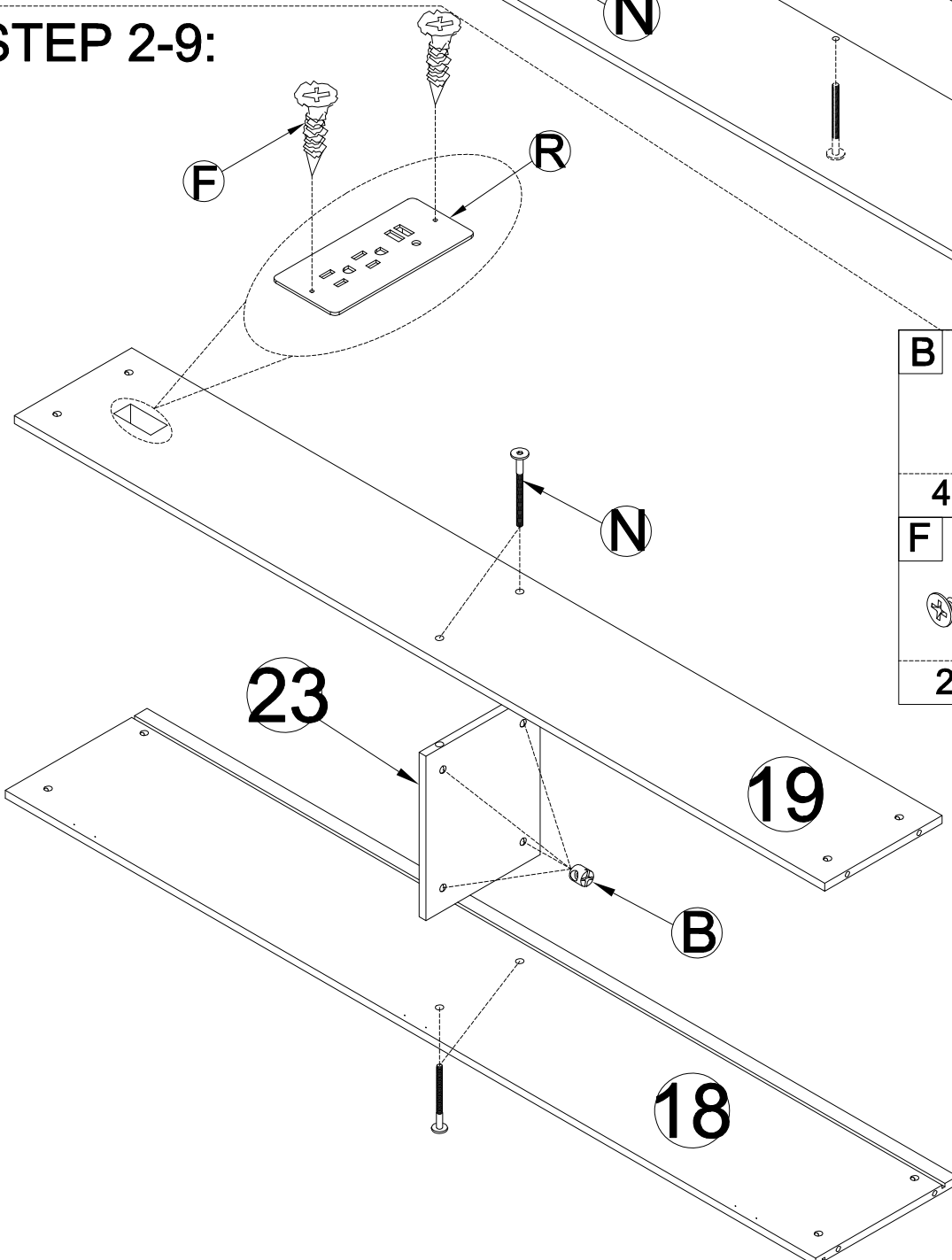


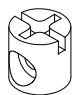
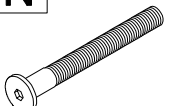
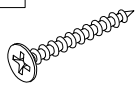
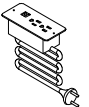
STEP 2-8:



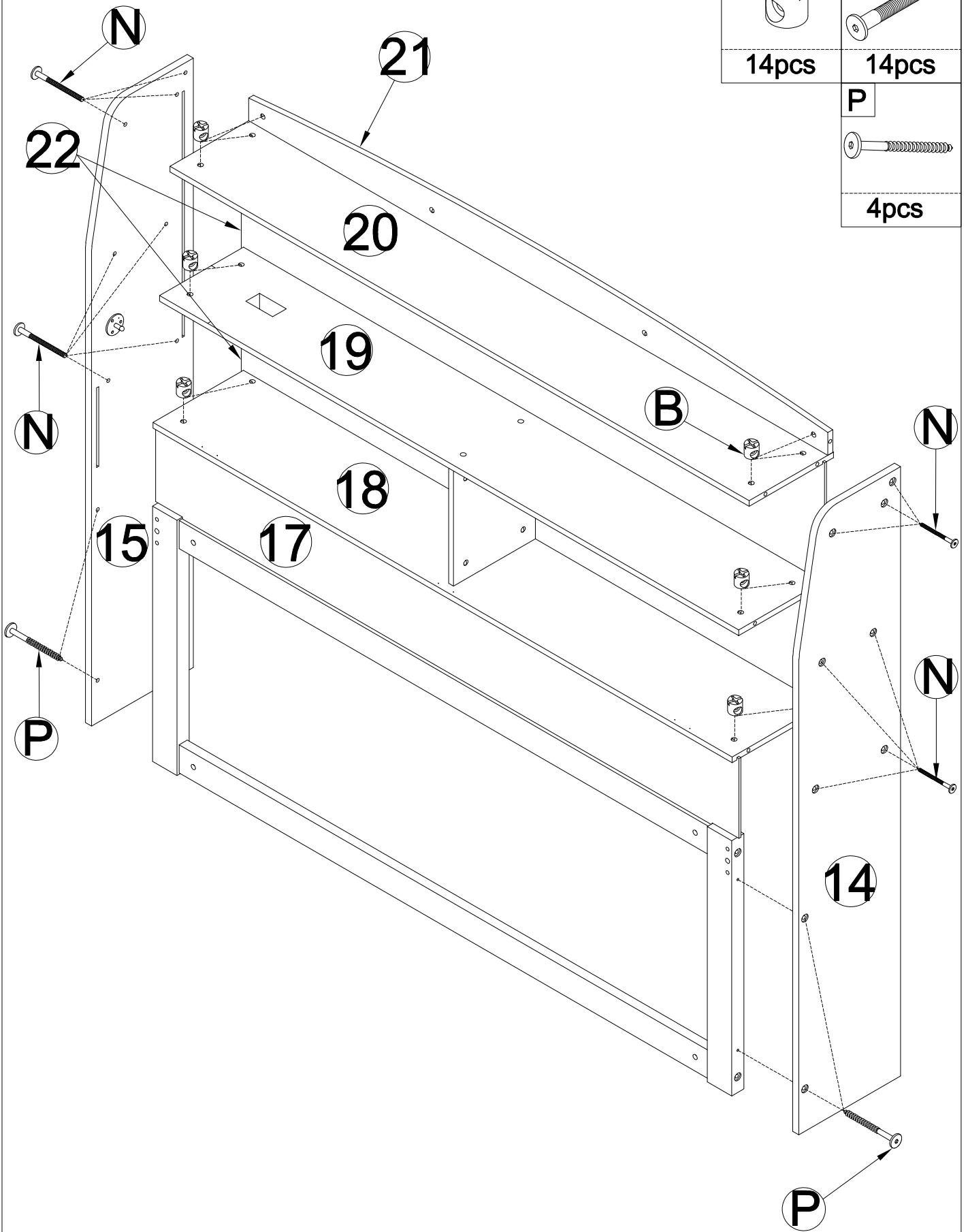
B		N	
	2pcs		2pcs

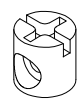
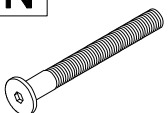

STEP 2-9:



B		N	
	4pcs		4pcs
F		R	
	2pcs		1pc

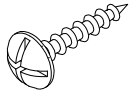
STEP 2-10:



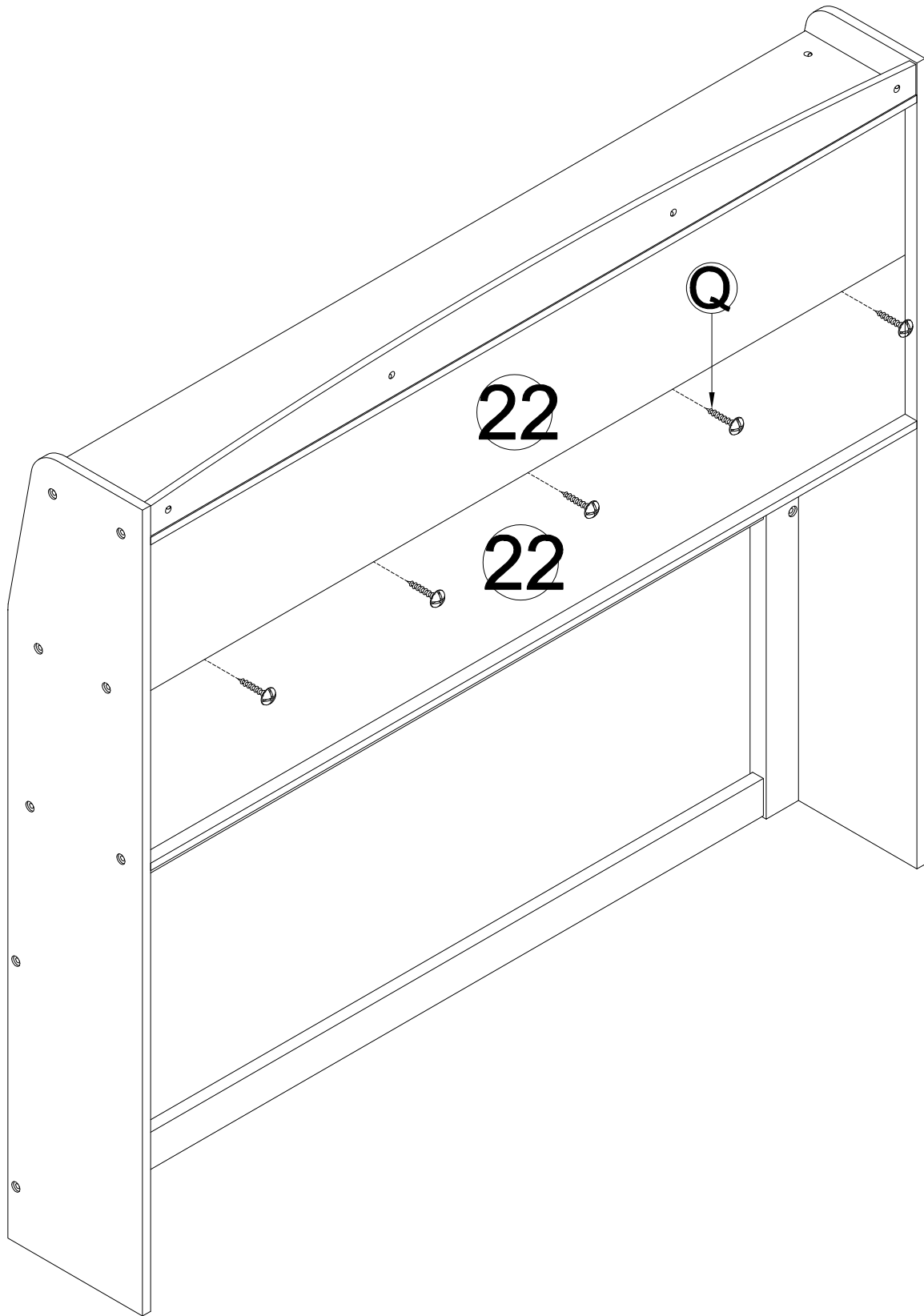
B 	N 
14pcs	14pcs
P 	
4pcs	

STEP 2-11:

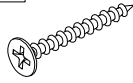
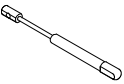
Q

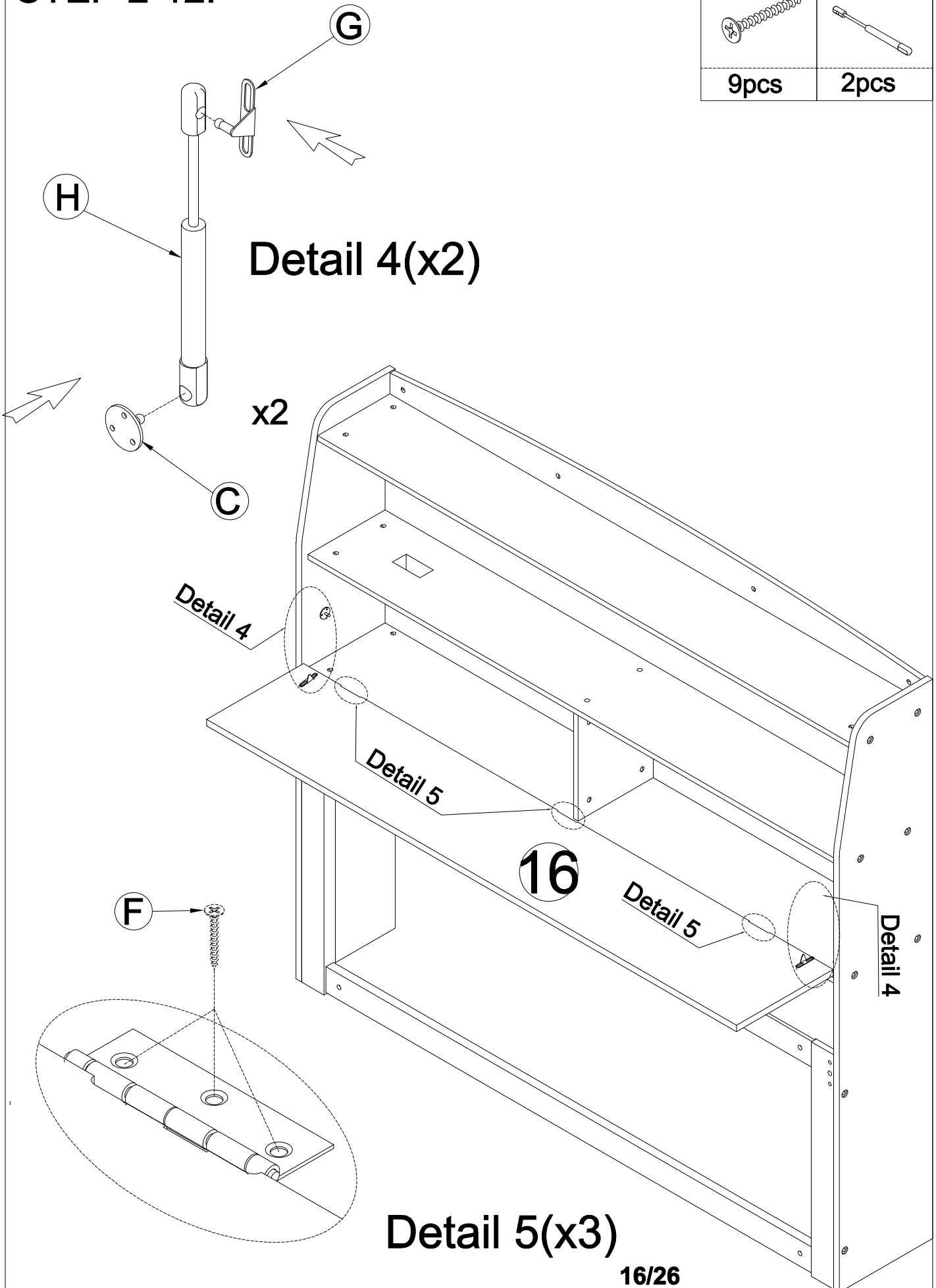


5pcs



STEP 2-12:

F		H	
	9pcs		2pcs


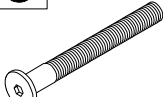
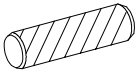
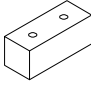
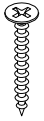


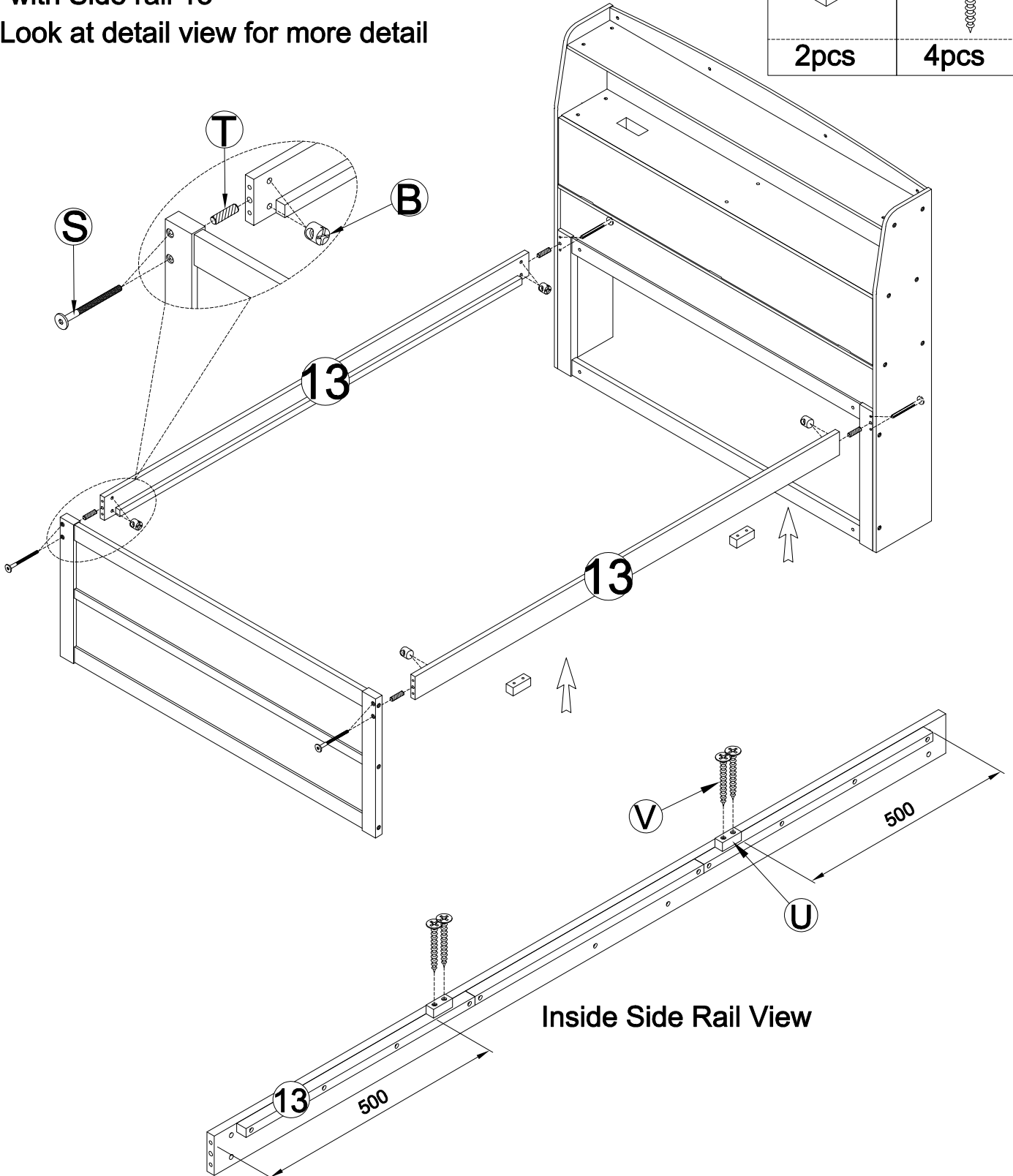
STEP 3:

-Using HW #B,#S and dowel #T to Connect Frames(completed in step 1,step 2-12) with Side rail 13(x2)

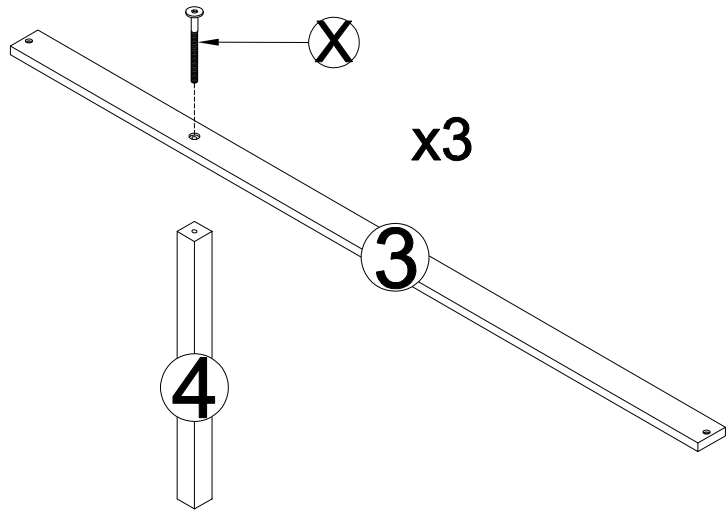
-Using HW #U to Connect Stop Trundle V(x2) with Side rail 13


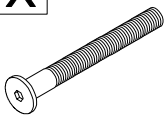
Look at detail view for more detail

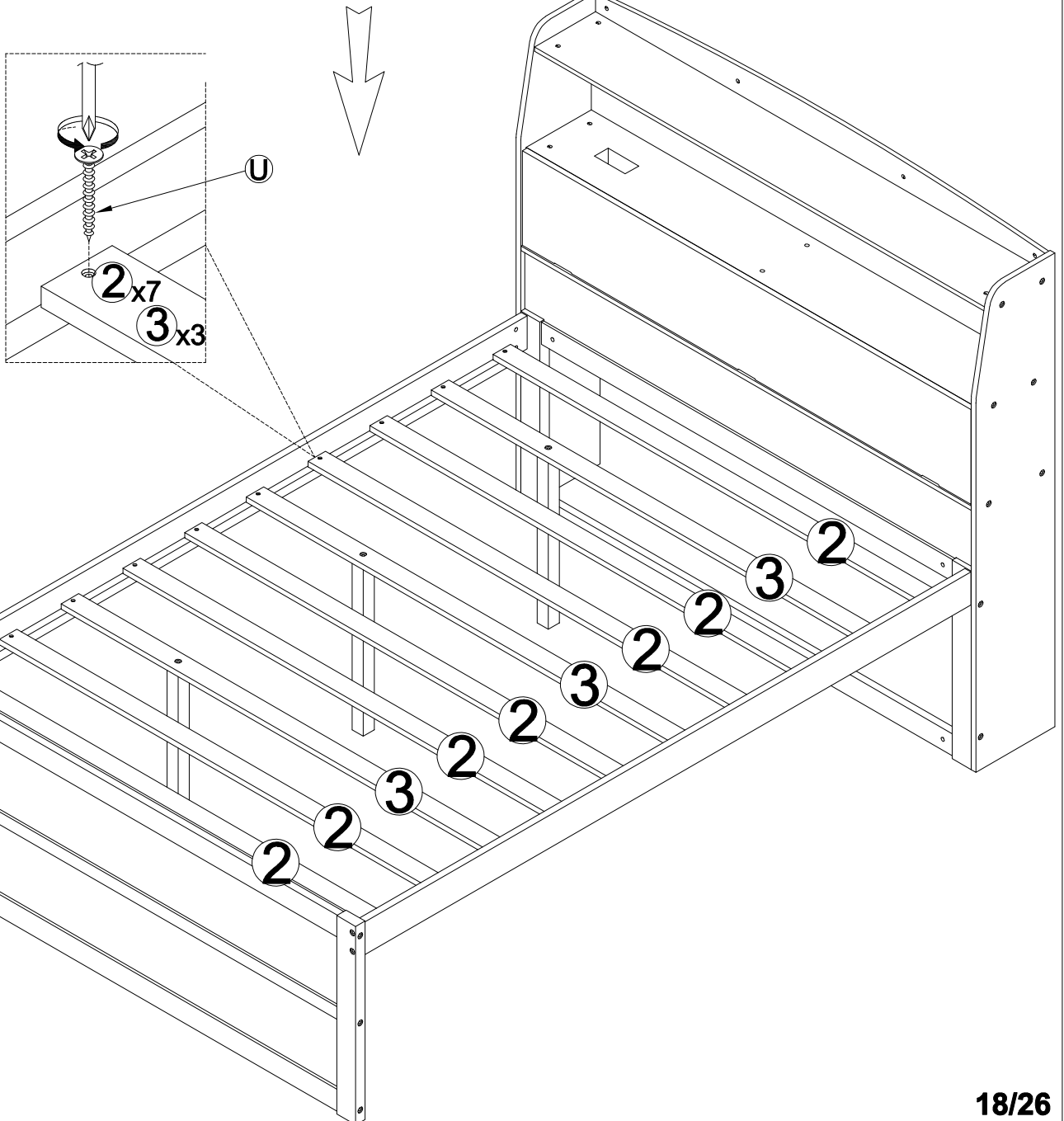
B 	S 	T 
8pcs	8pcs	4pcs
V 	U 	
2pcs	4pcs	



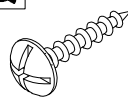
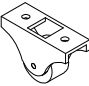

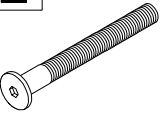
STEP 4:

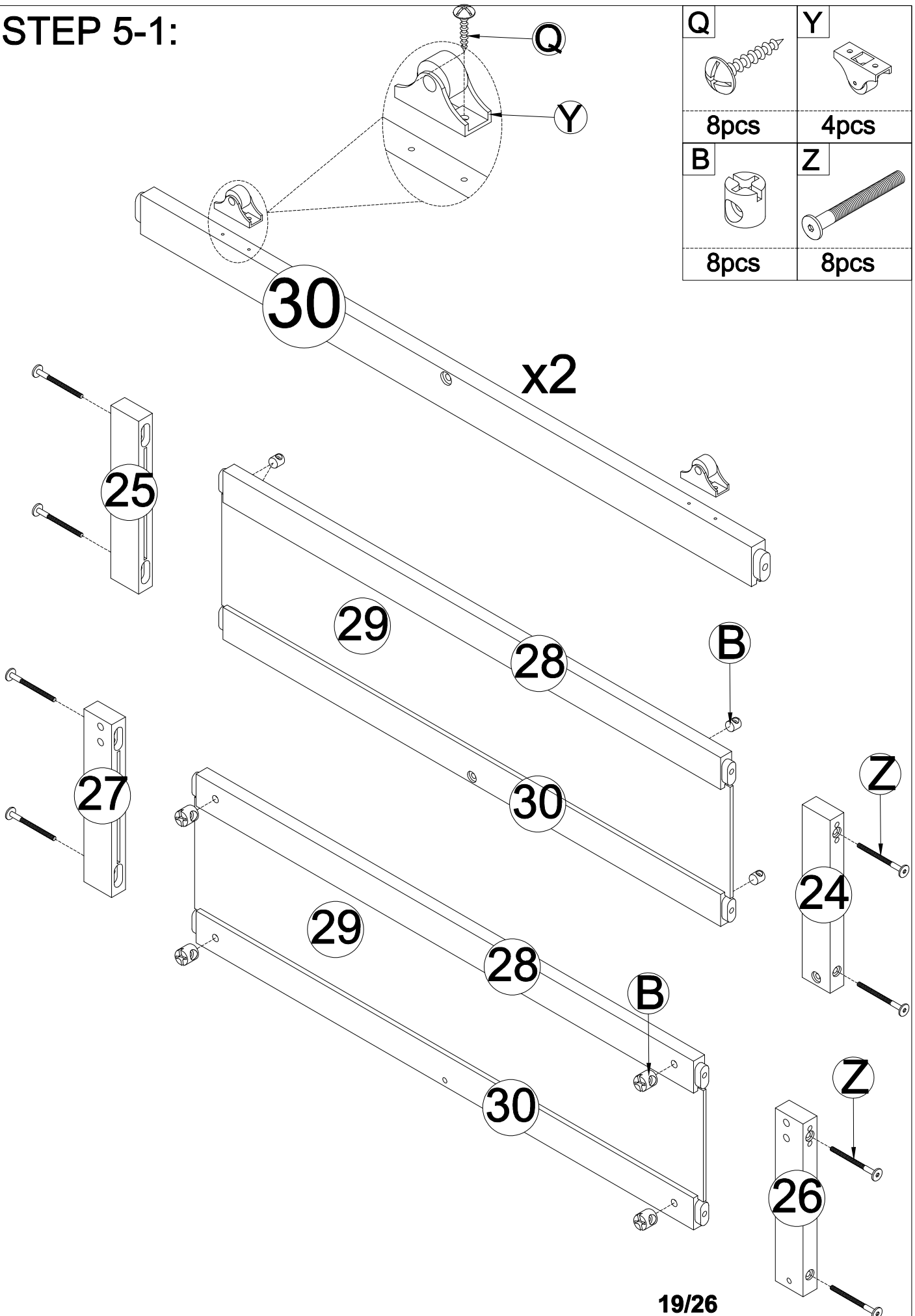


U	
	20pcs
X	
	3pcs

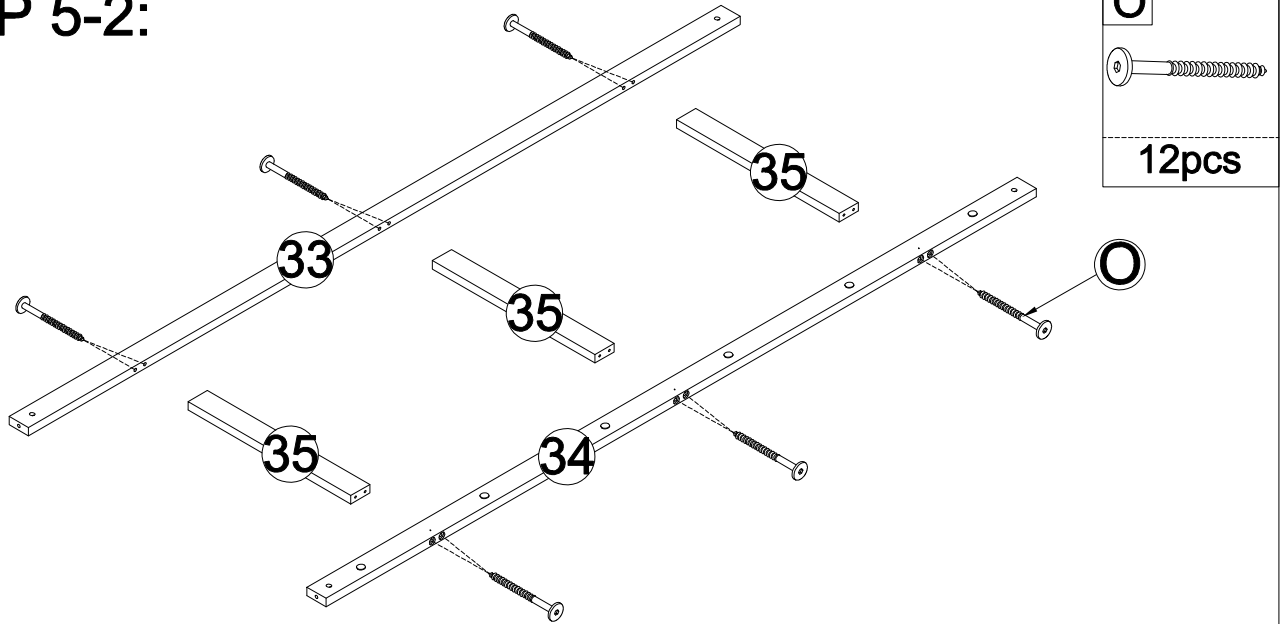


STEP 5-1:

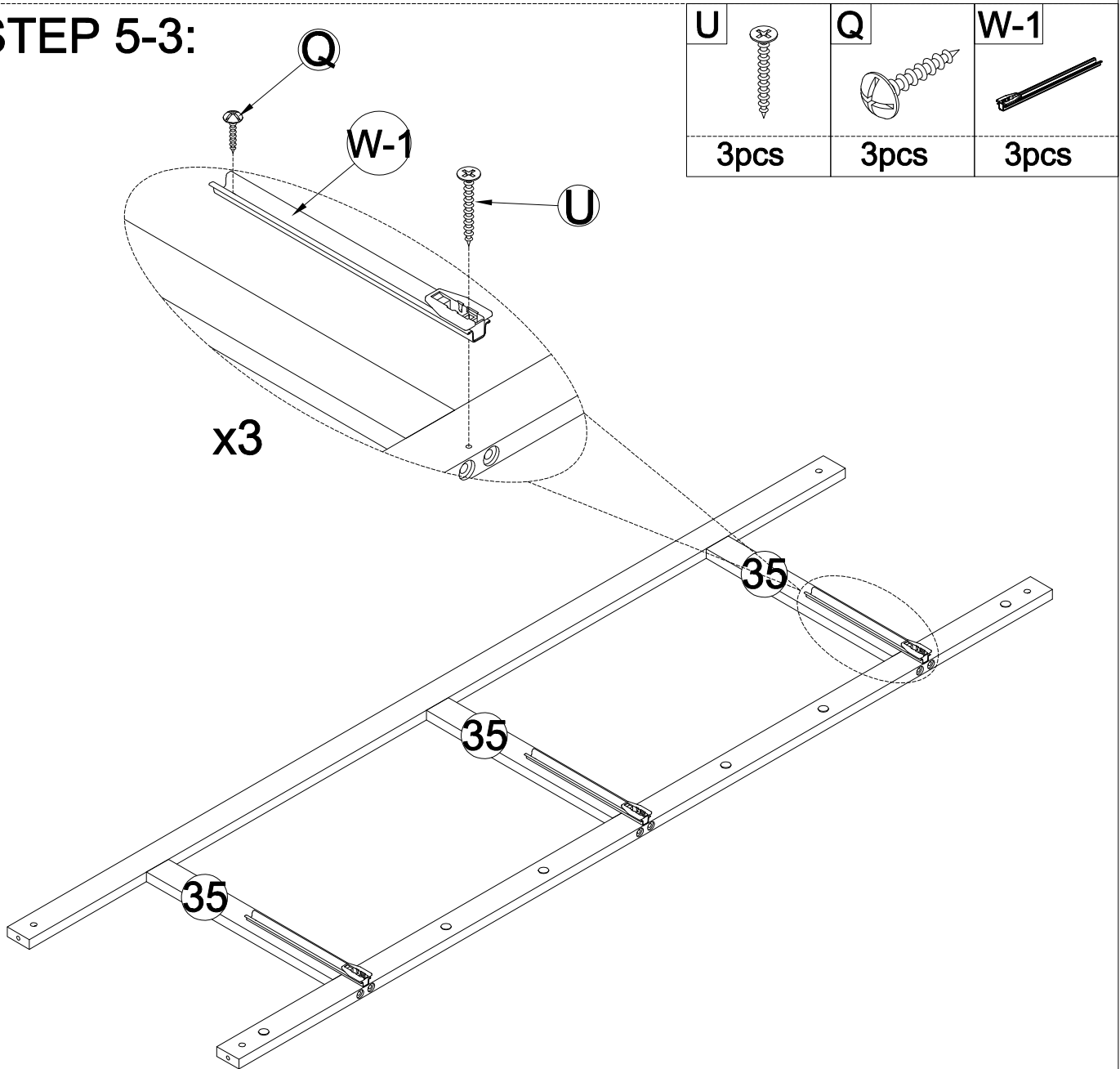
Q 	Y 
8pcs	4pcs
B 	Z 
8pcs	8pcs



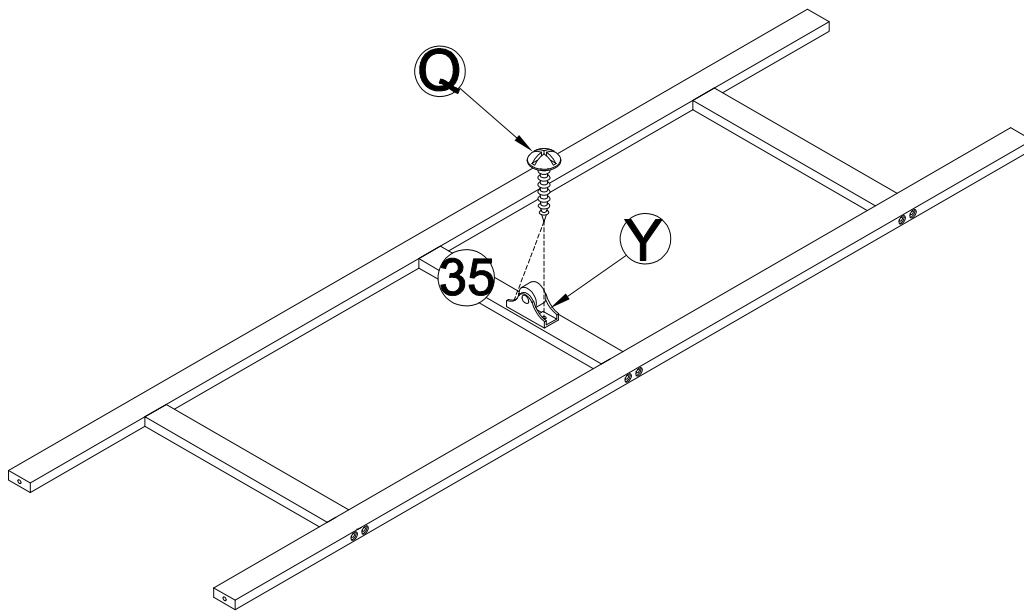
STEP 5-2:

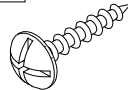
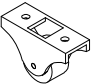


STEP 5-3:

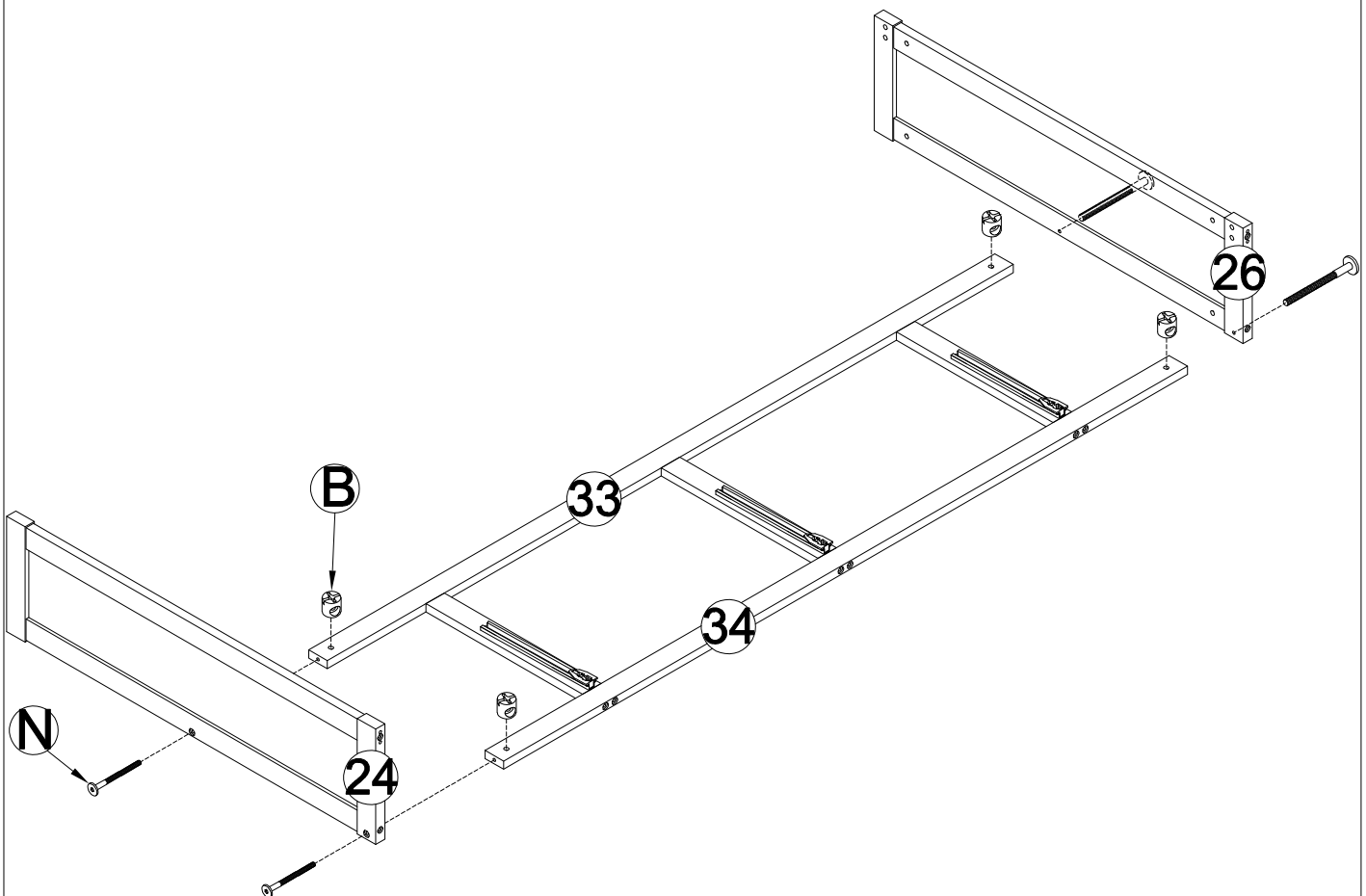



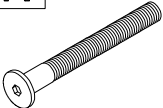
STEP 5-4:



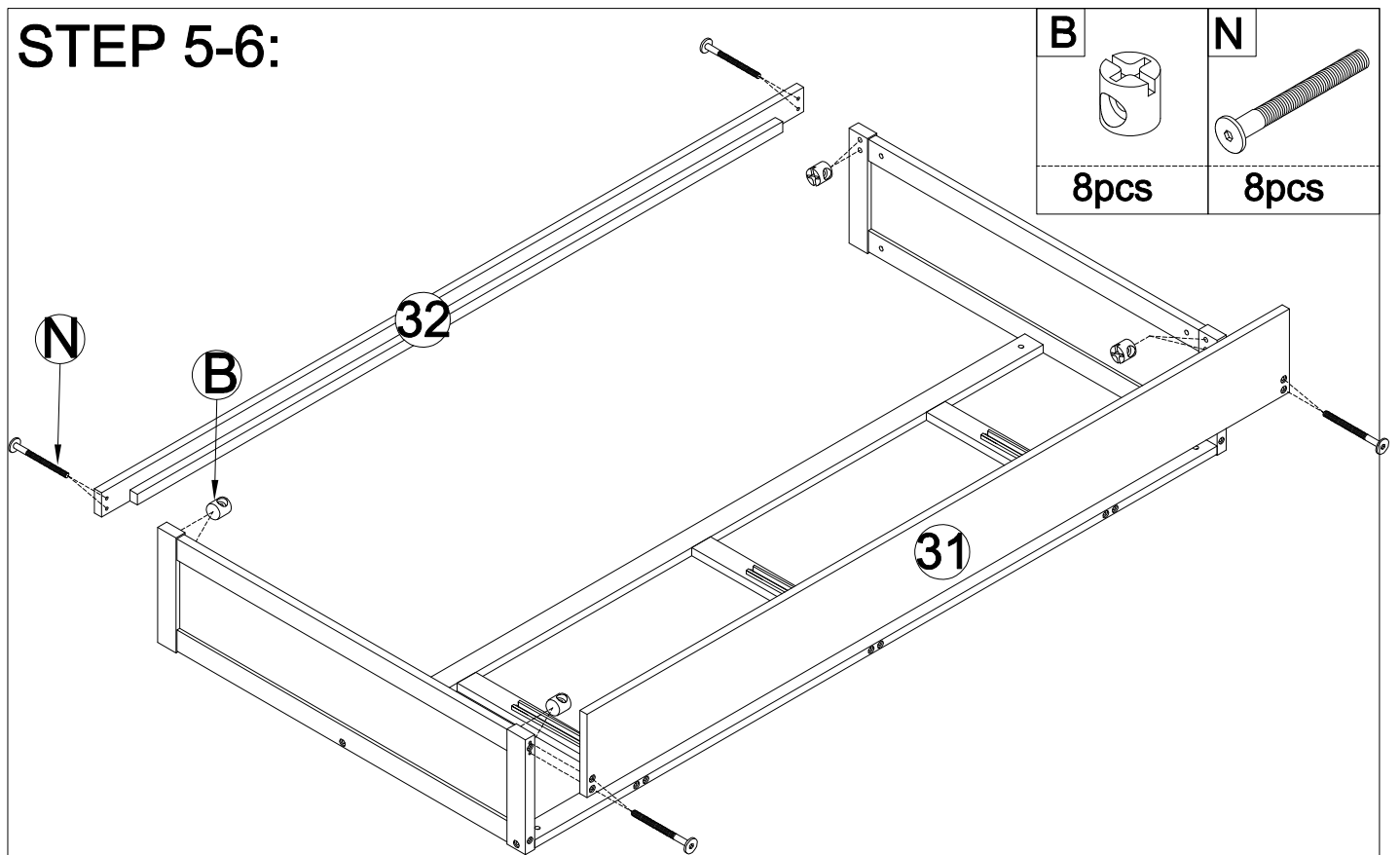
Q 	Y 
2pcs	1pc

STEP 5-5:

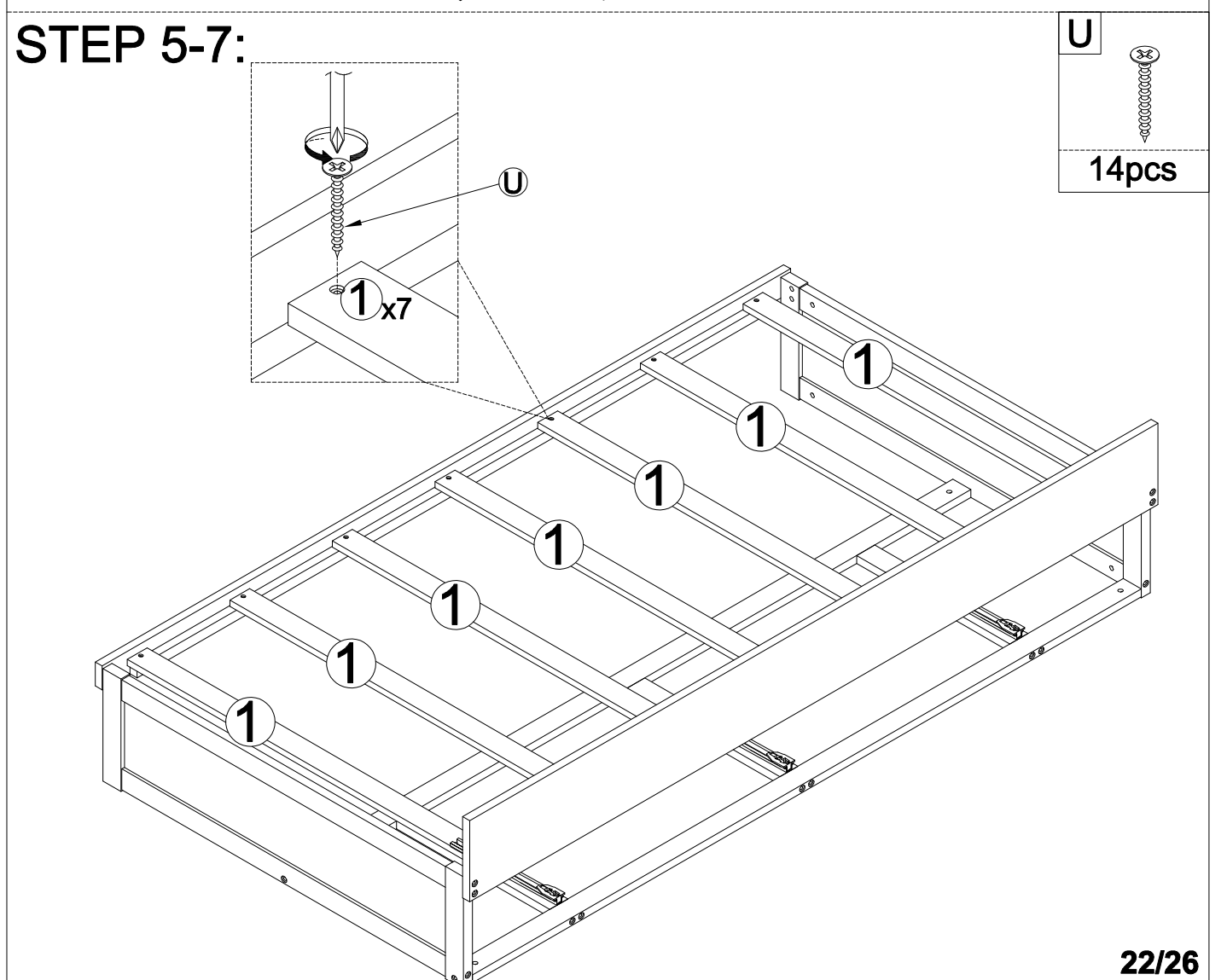


B 	N 
4pcs	4pcs

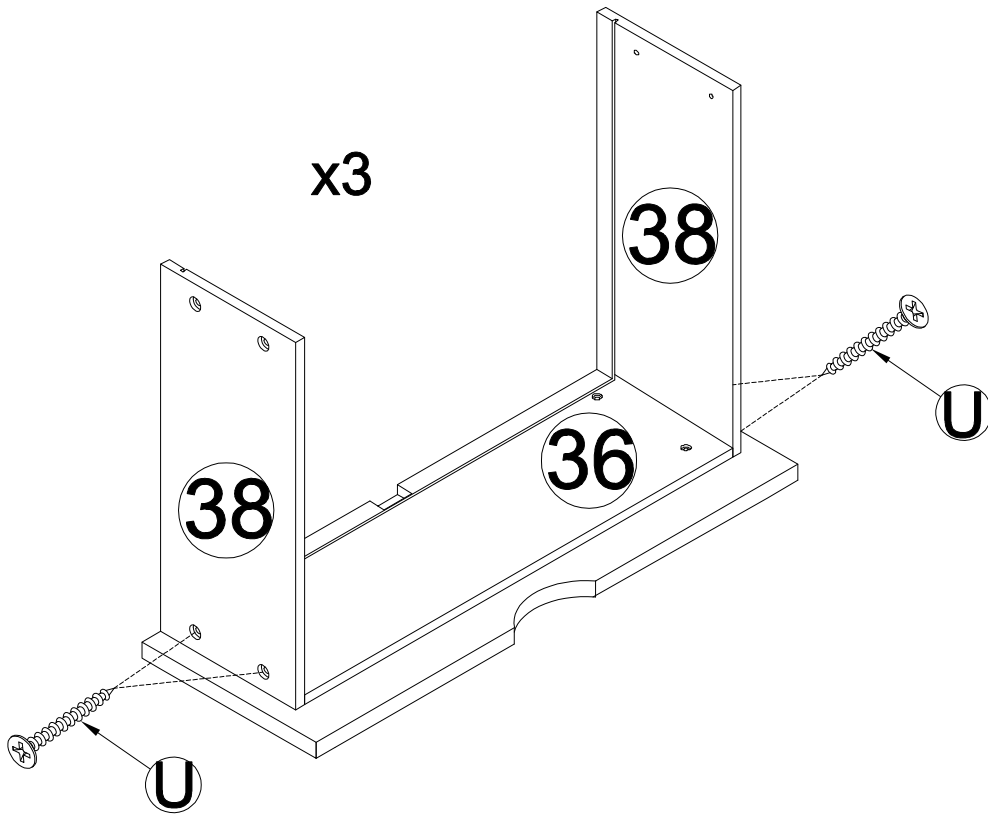
STEP 5-6:

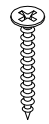


STEP 5-7:

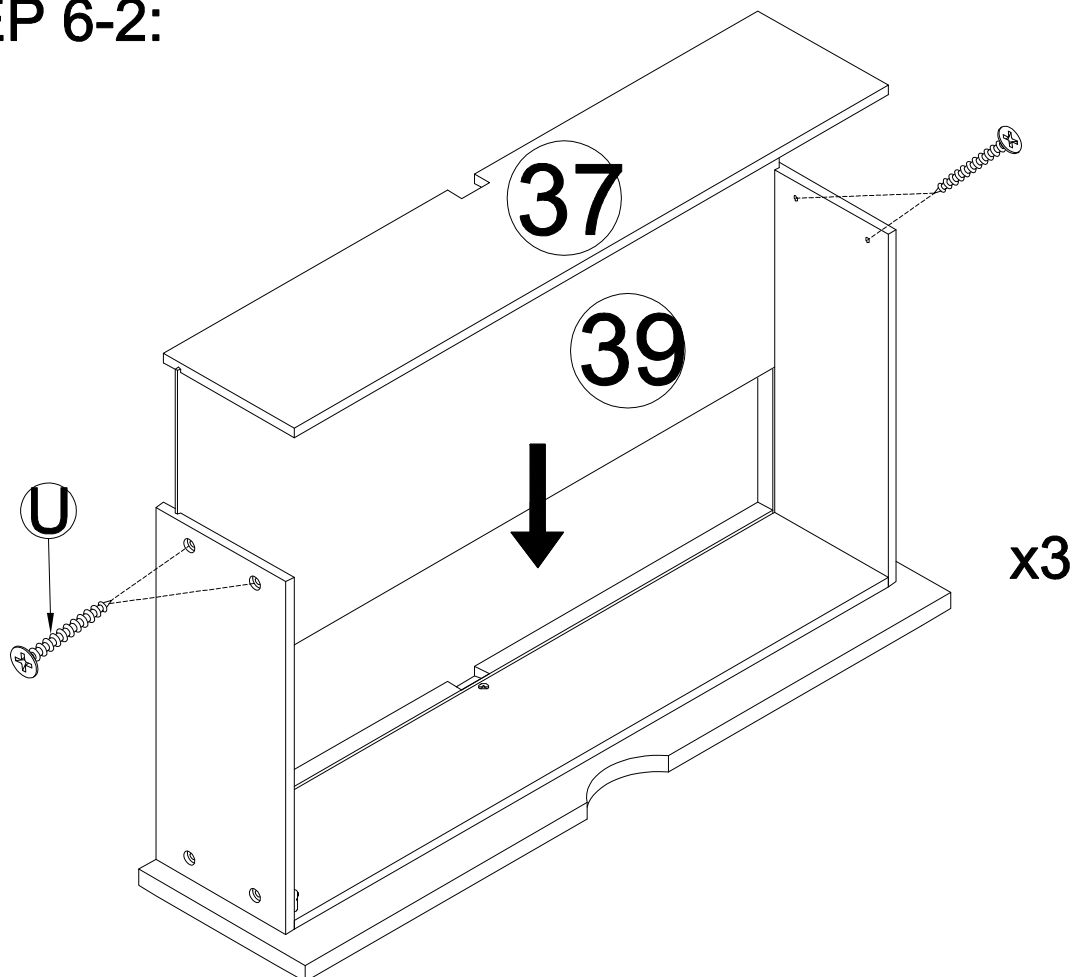



STEP 6-1:





U	
4x3pcs	

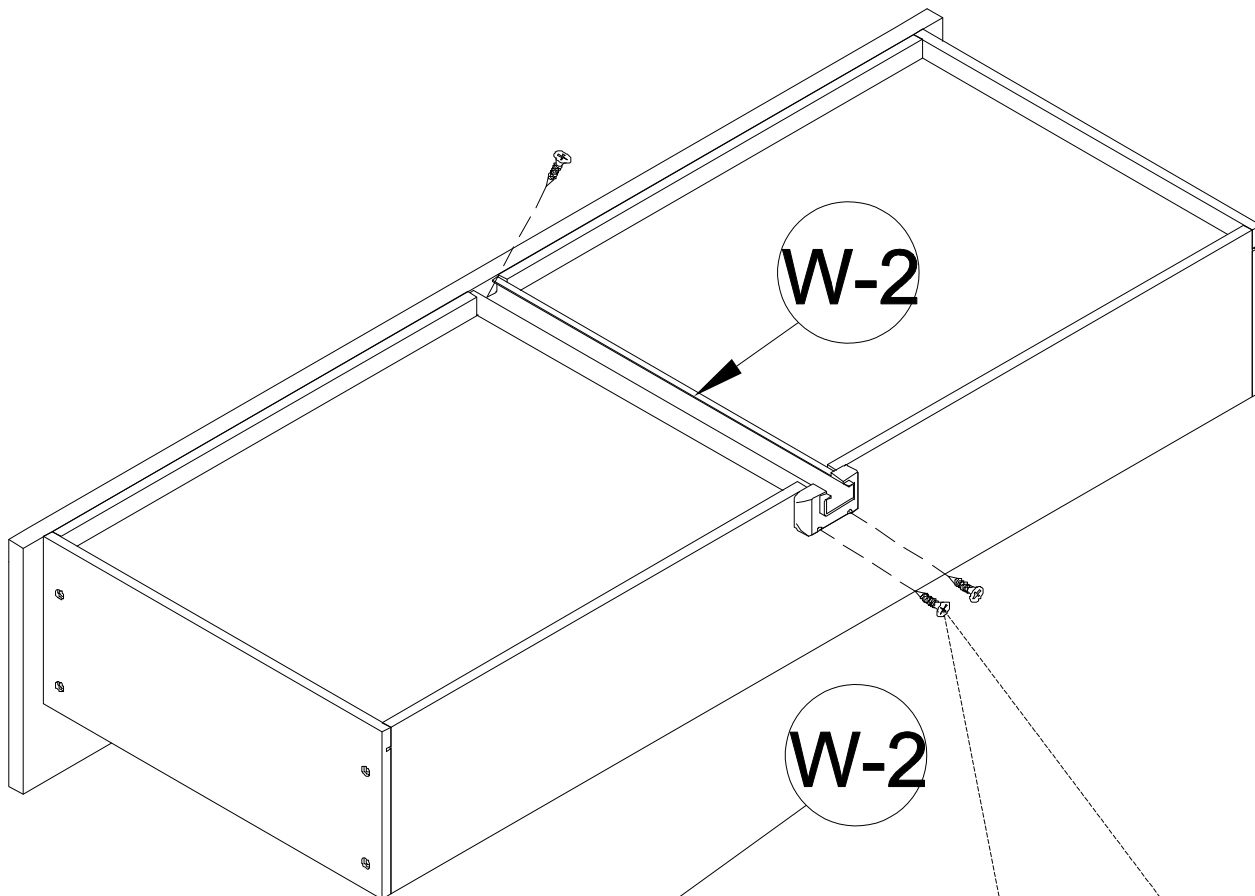
STEP 6-2:



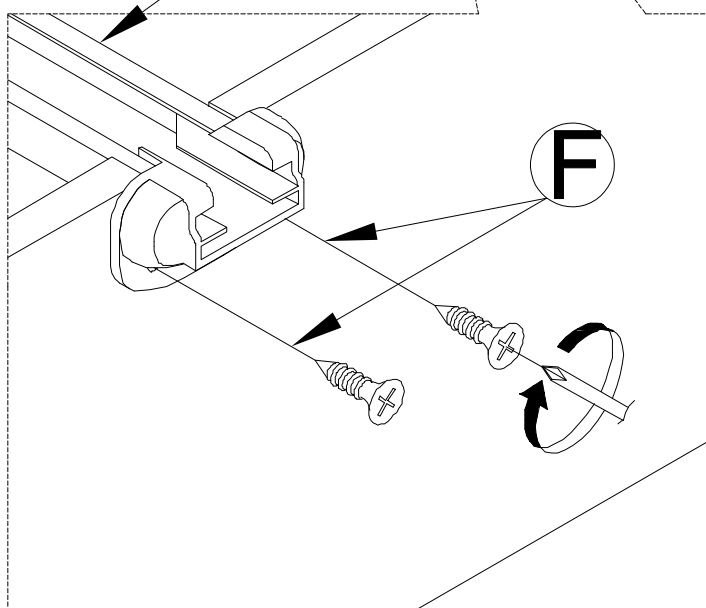
U	
4x3pcs	

STEP 6-3:

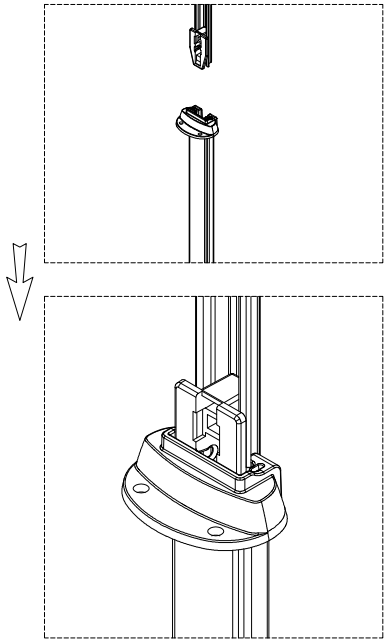
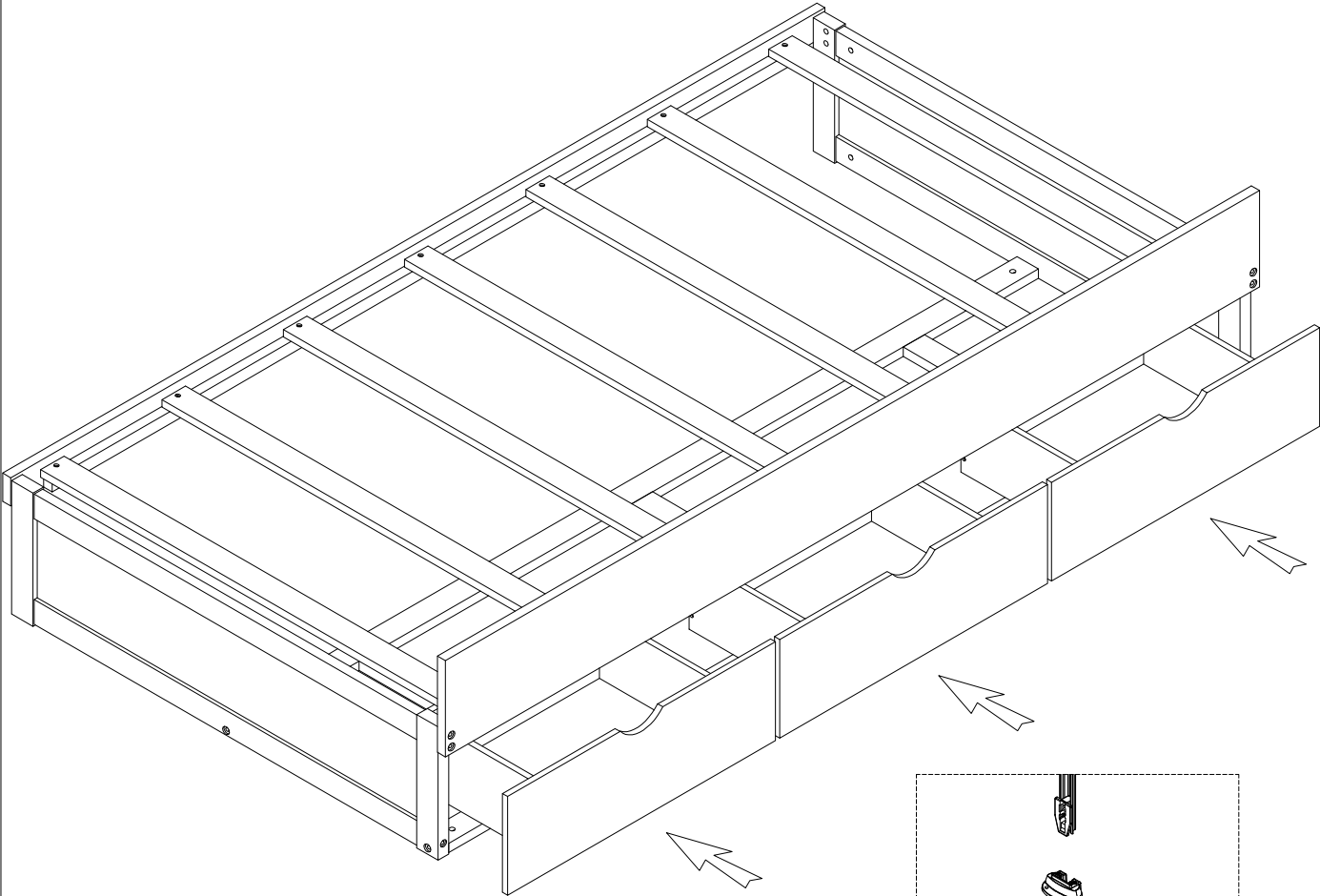
W-2 	F 
1x3pcs	3x3pcs



x3



STEP 7: Push 3 Drawers into position



CONGRARULATION. YOU HAVE COMPLETED THE BED
Push Trundle into position

