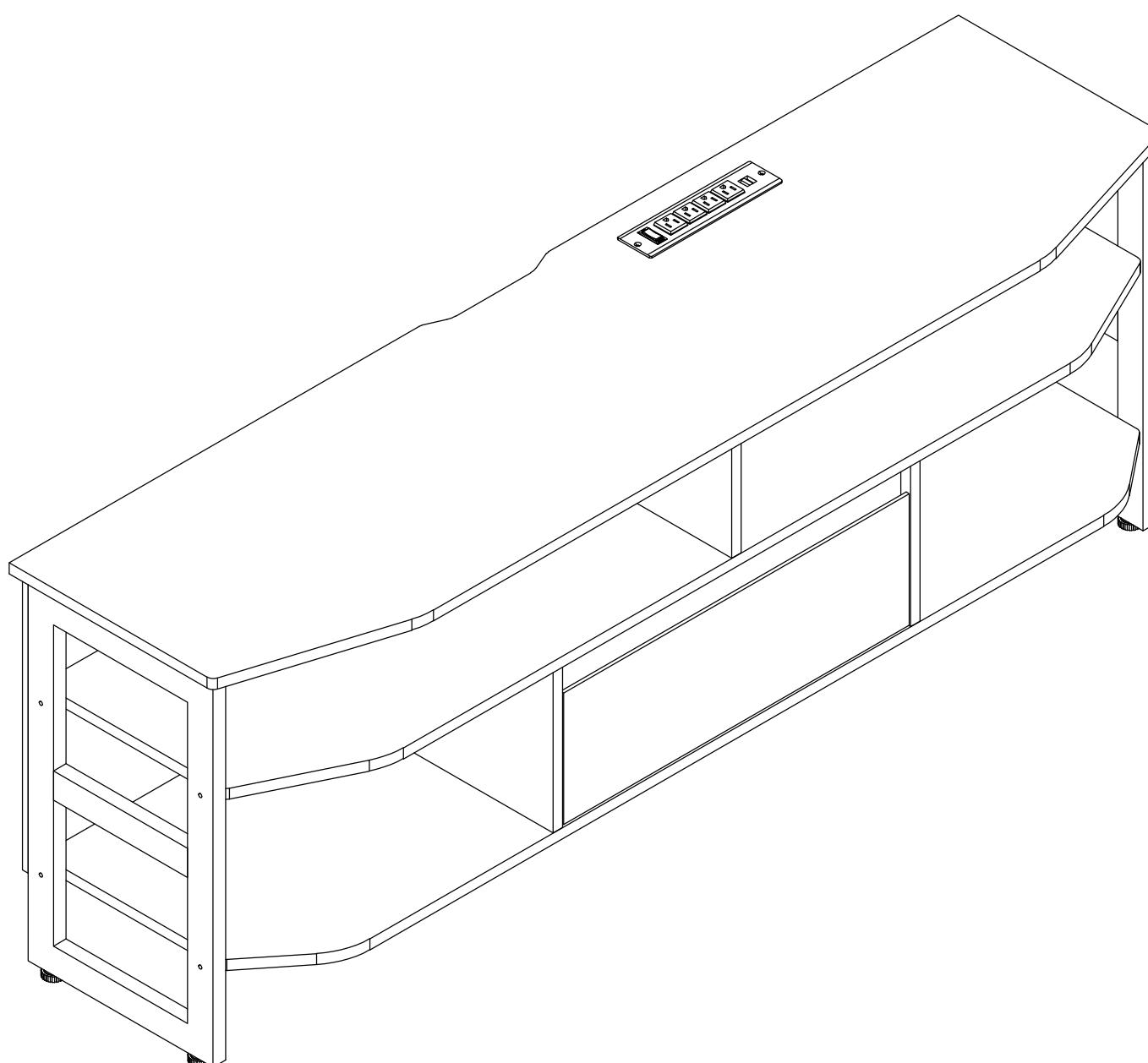


# TV stand FUDSGB004

**JIANSU**  
FURNI



THIS INSTRUCTION BOOKLET CONTAINS IMPORTANT SAFETY INFORMATION. PLEASE READ AND KEEP FOR FUTURE REFERENCE.

## Do Not Return This Product!

Contact our customer service team  
for help first.



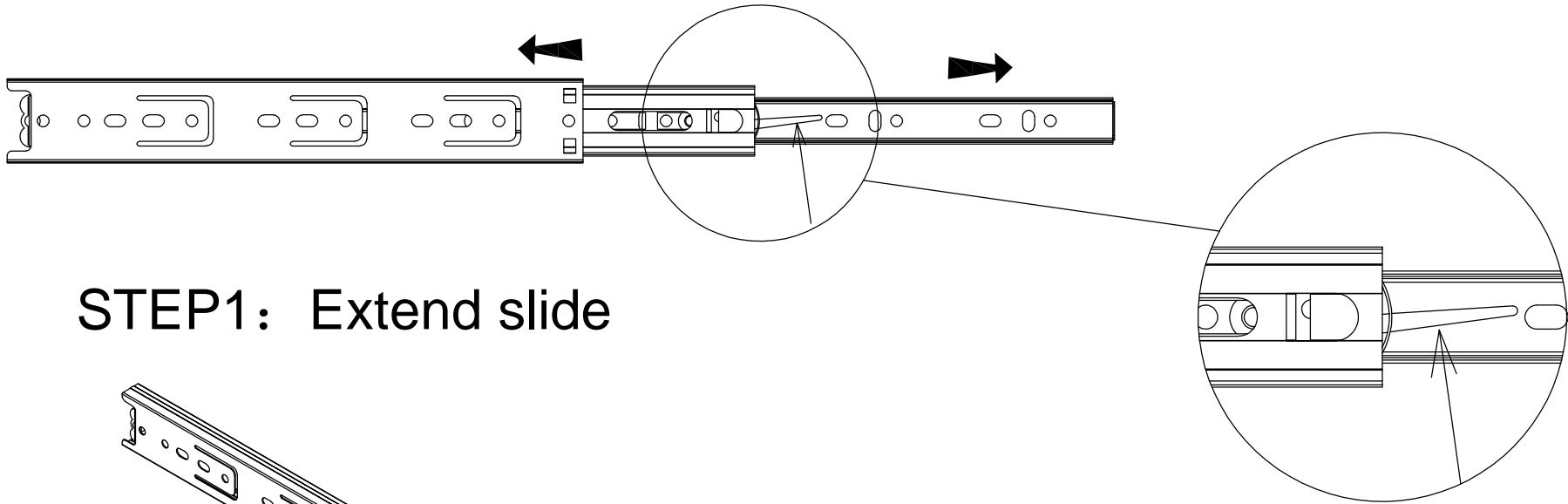
## WARNING

- Unit can tip over causing severe injury or death.
- Anchor unit to stud in wall ( if instructed to )
- Do Not allow children to climb on unit.
- put heavy items on lower shelves or drawers.

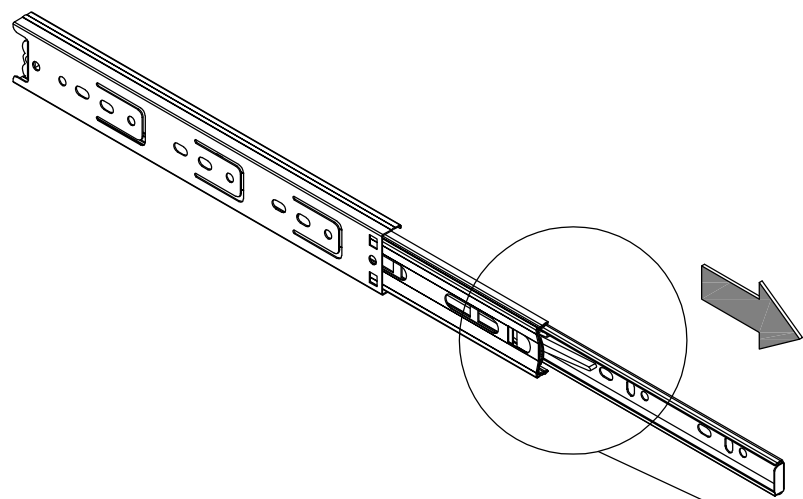


Assembly Difficulty Meter

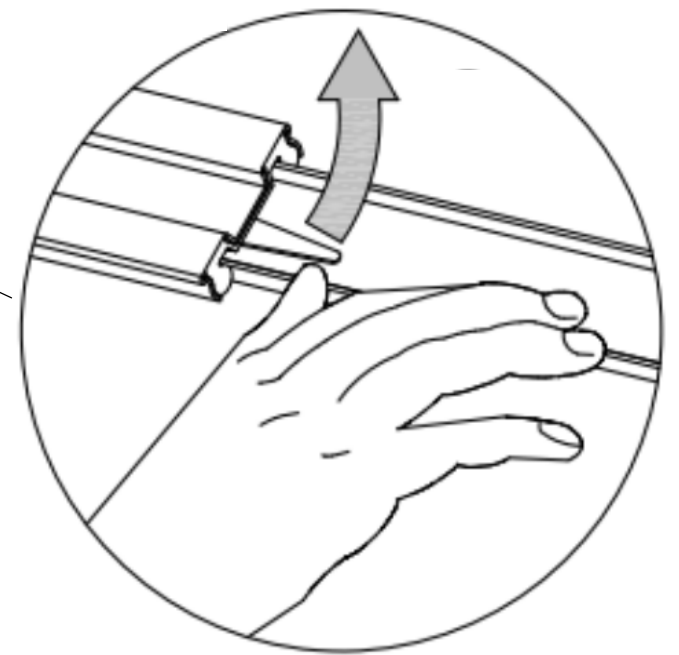
Slides Must Be Separated Before Assembly,  
After Separated, Set Aside Until Needed for Assembly.



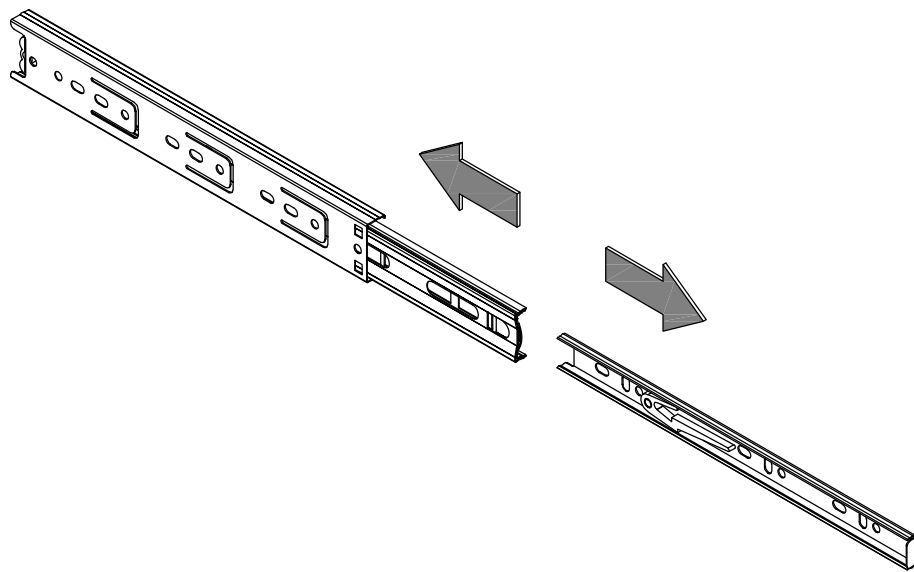
**STEP1: Extend slide**



**STEP2: Push Lever UP**

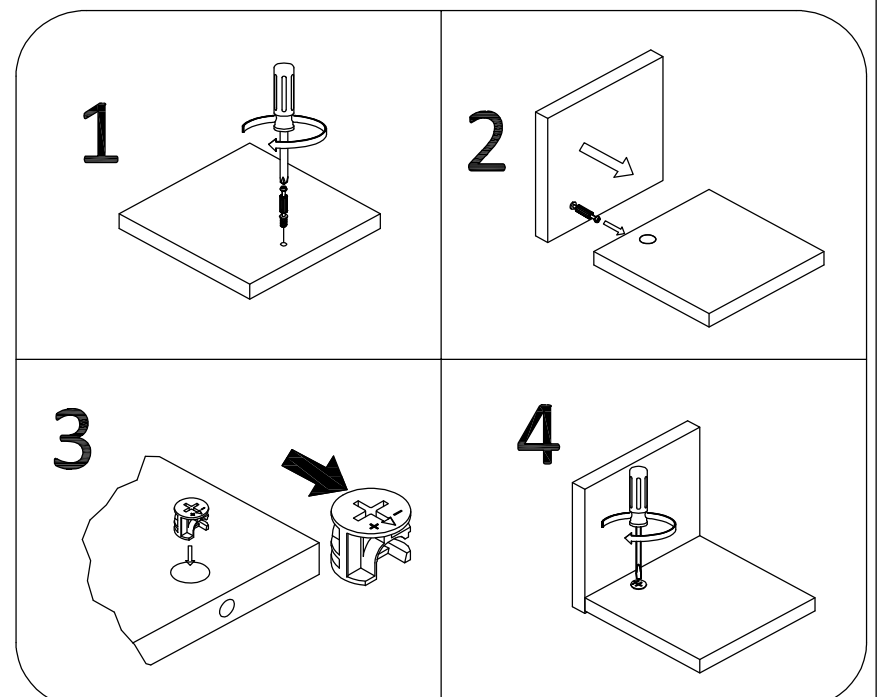
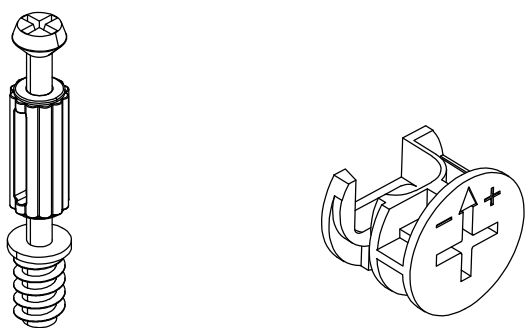


**STEP3: Remove Runner**

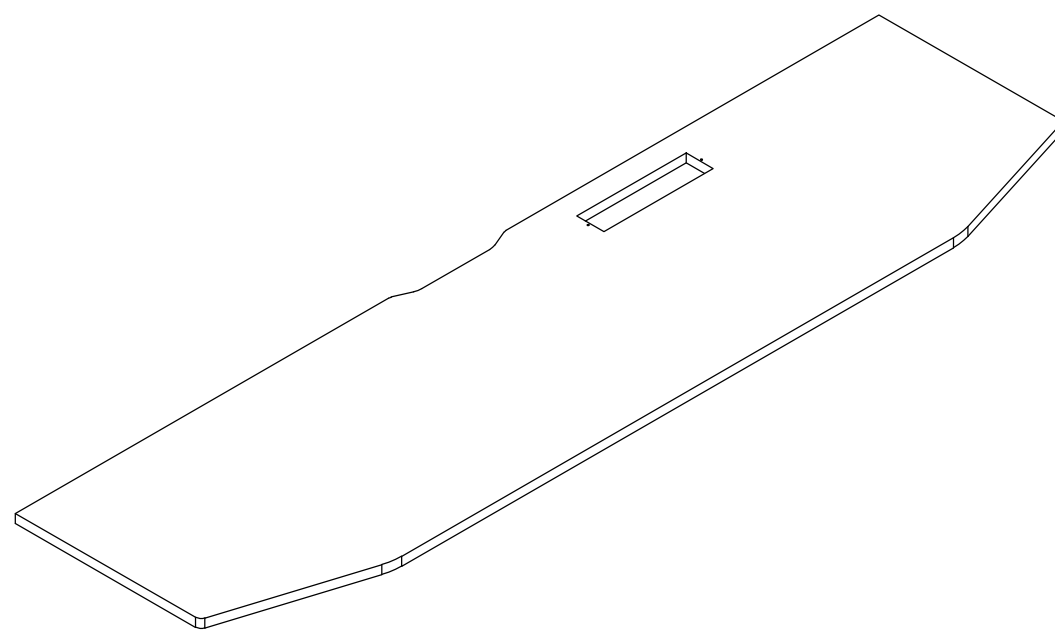


### Cam Lock Fastening System

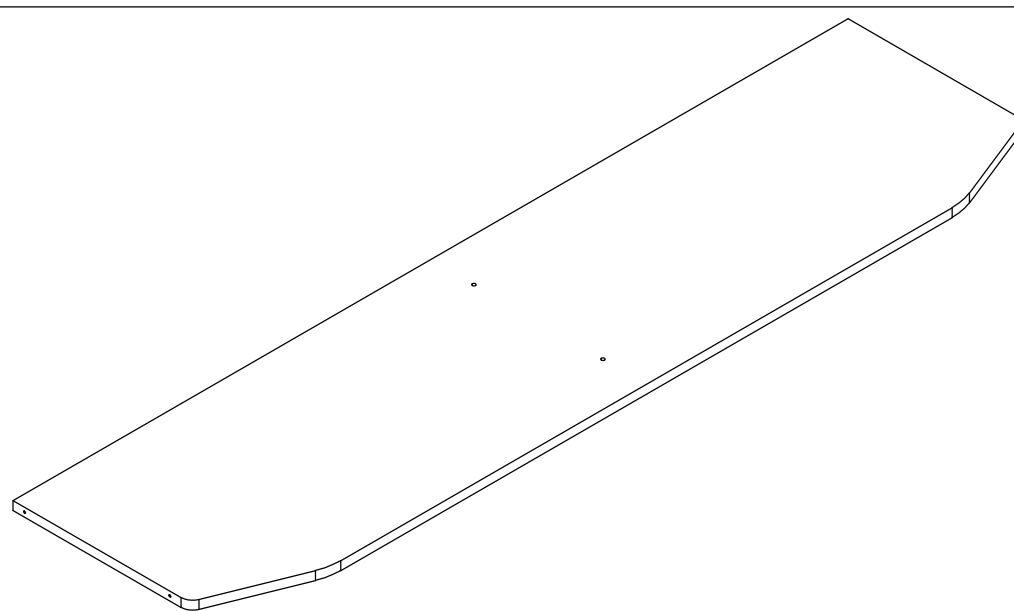
This Cam Lock Fastening System will be used throughout the assembly process



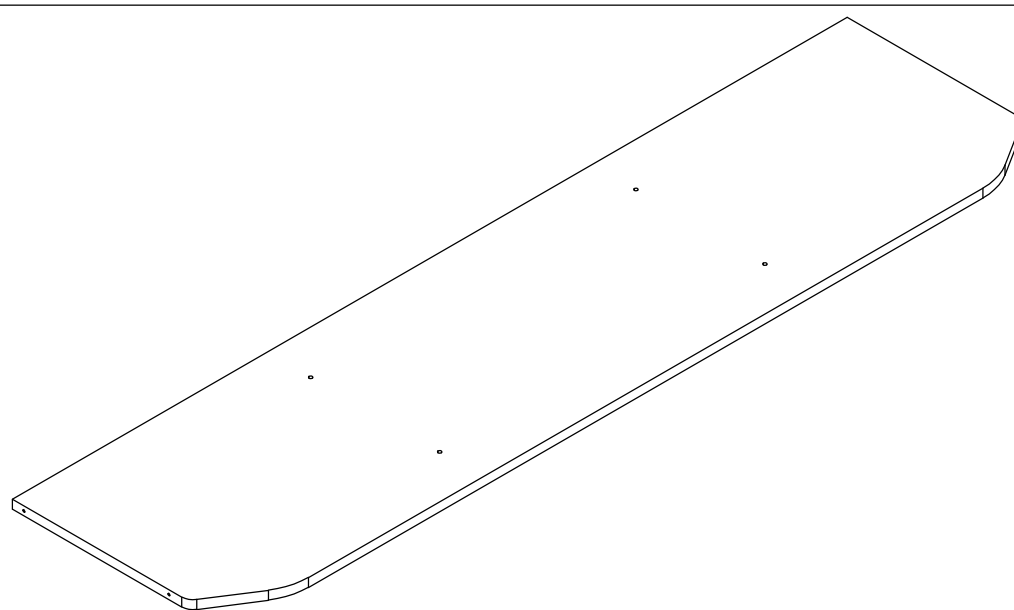
1



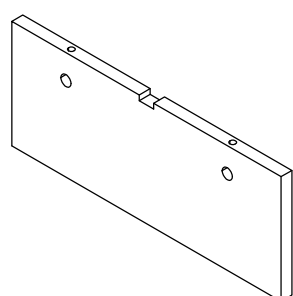
2



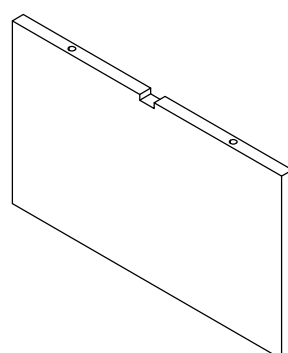
3



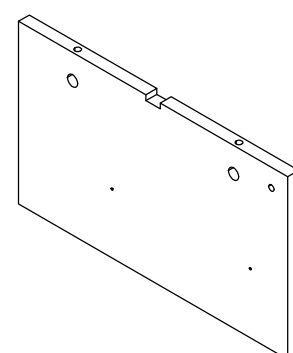
4



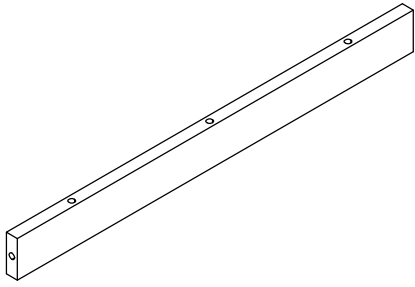
5



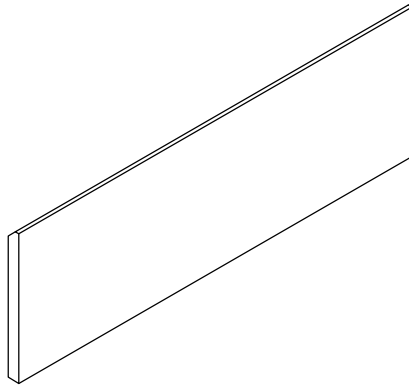
6



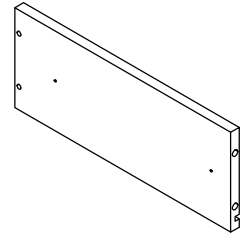
7



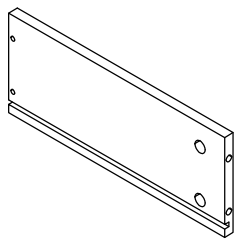
8



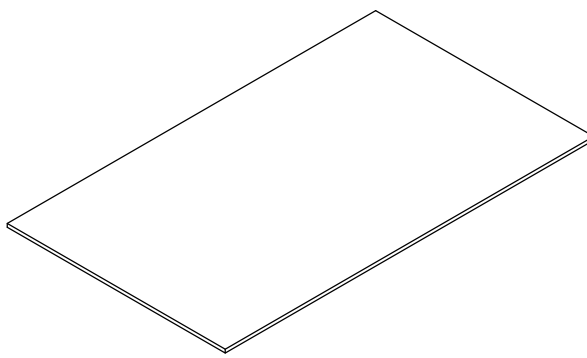
9



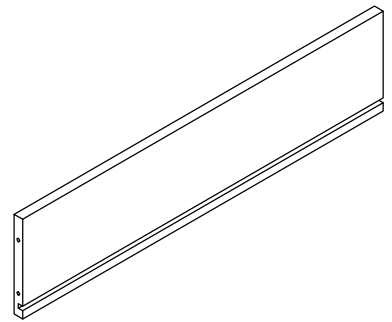
10



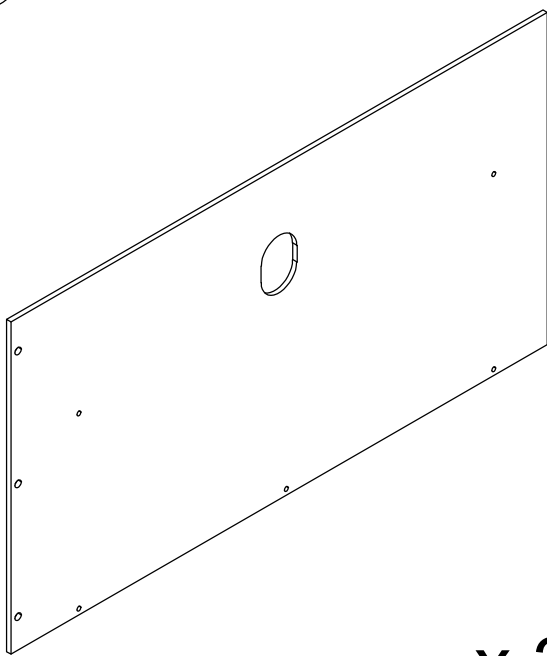
11



12

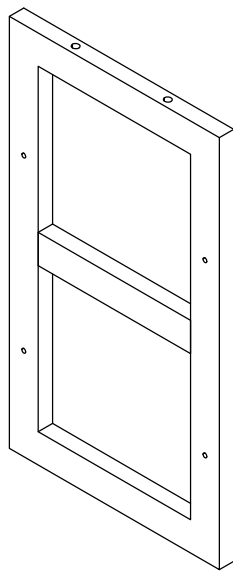


13



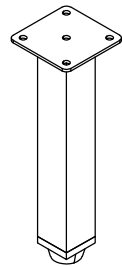
x 2

14



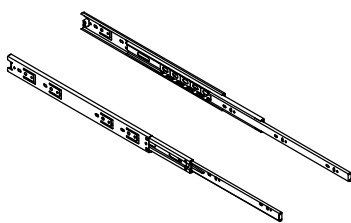
x 2

15

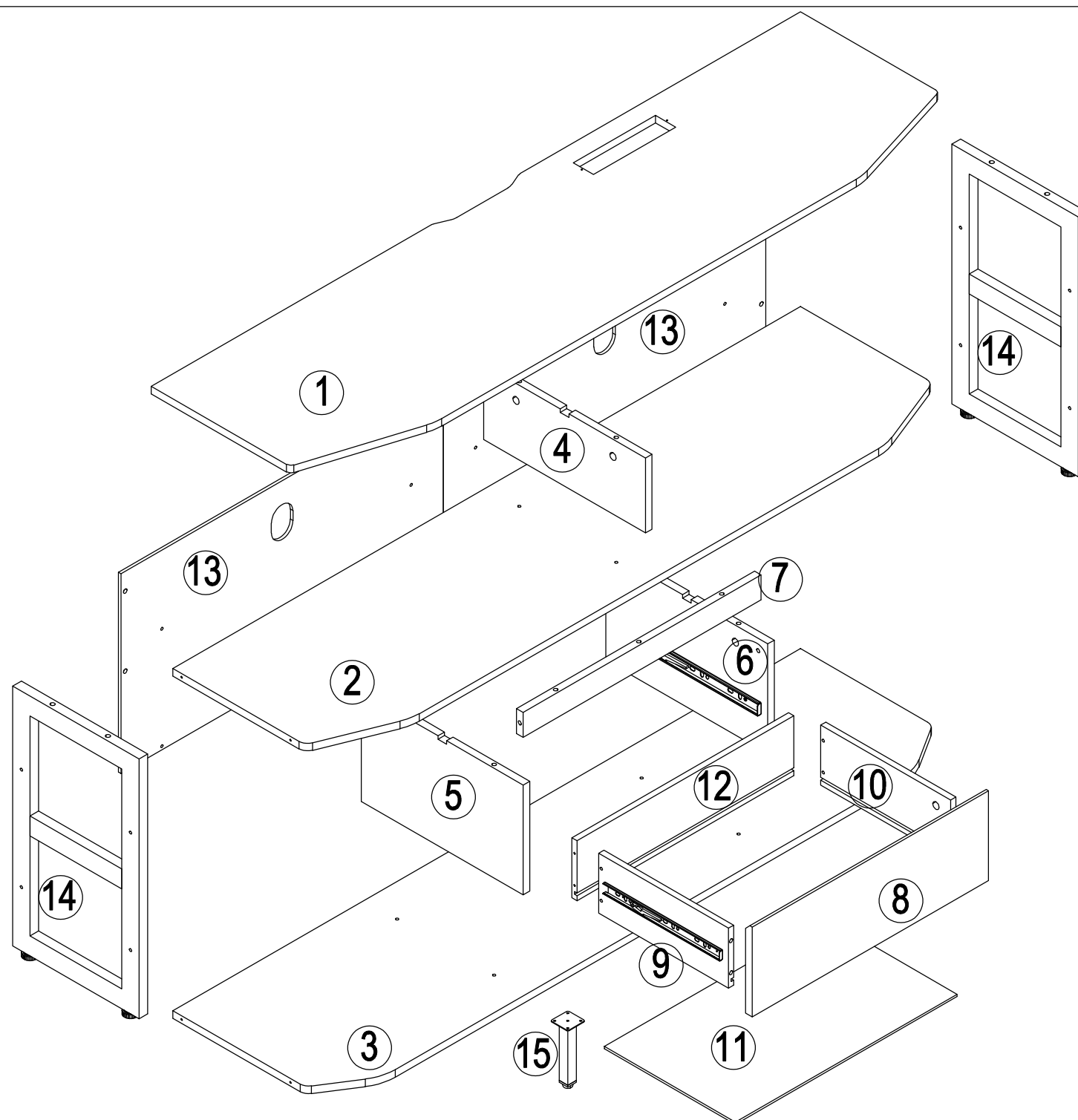



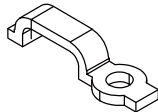
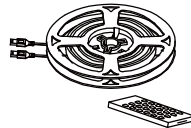
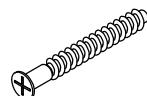





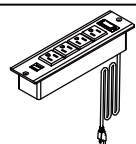

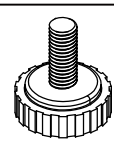
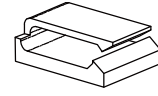

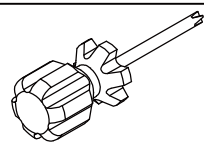
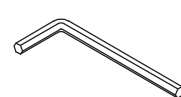
16

3508-12"


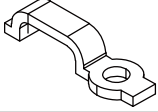



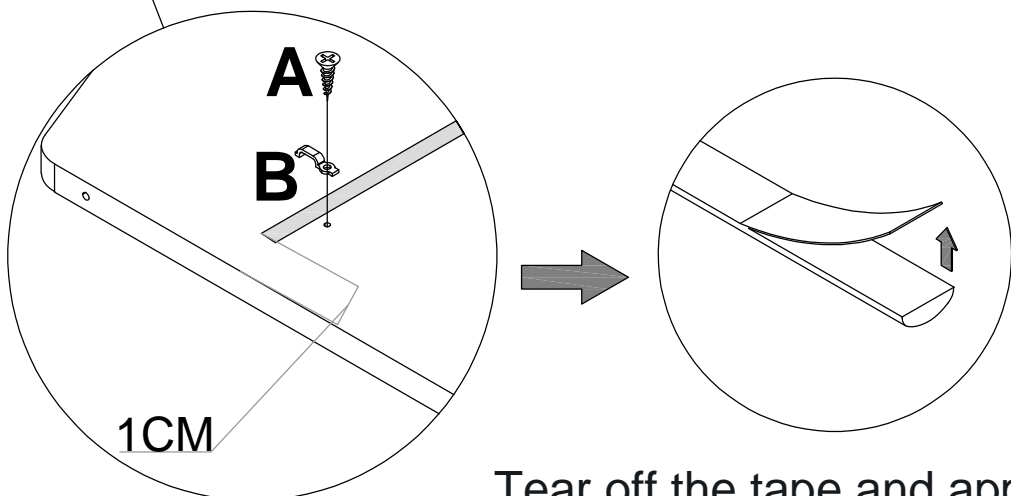
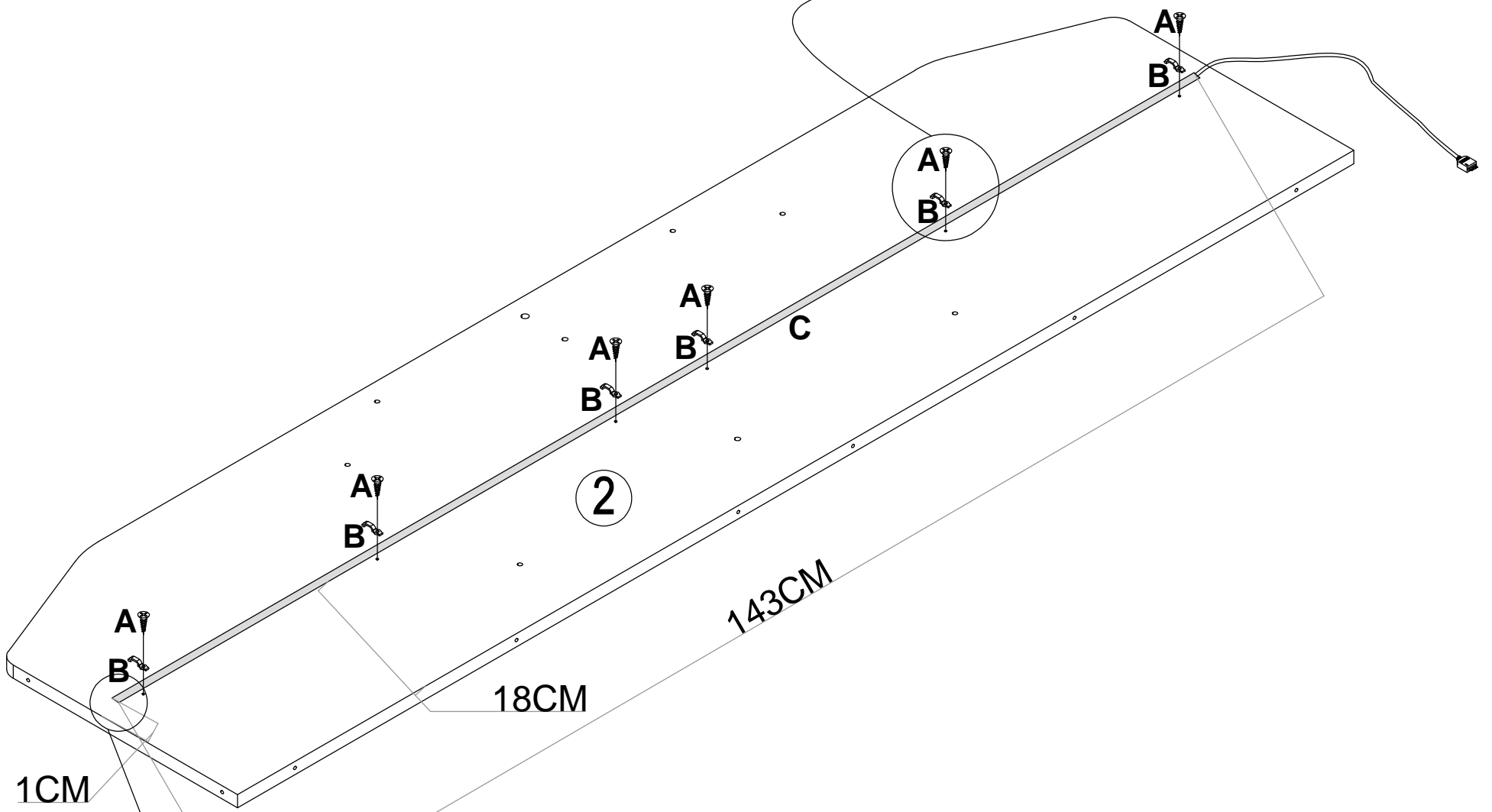
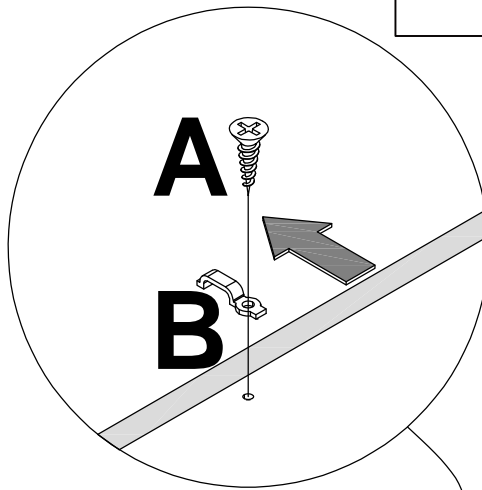
1 STES



<b>A</b> M3.5×12mm	<b>B</b>	<b>C</b>	<b>D</b> 5x40mm	<b>E</b> M5×42mm	<b>F</b> Ø8×40mm	<b>G</b> Ø15×10mm
						
Screw	LED Strip Light Fixing Clips	LED Strip Lights	Screw	Cam Bolt	Wood Dowel	Cam Lock
22 PCS	12 PCS	1 STES	28PCS	12 PCS	3 PCS	12 PCS
<b>H</b> M6×50mm	<b>I</b> M6×22mm	<b>J</b>	<b>K</b> Ø22	<b>L</b> Ø28*M8*H10	<b>N</b>	<b>O</b> M3.5×14mm
						
Bolt	Bolt	Power Strip	Cam Cover	Foot Pads	Wire Clip	Screw
4 PCS	6 PCS	1 PCS	12 PCS	4 PCS	3PCS	4 PCS
	4#					
						
Phillips Screwdriver	Hex key					
1 PCS	1 PCS					

1

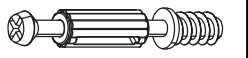
(A)	M3.5×12mm	(B)		(C)	
					
Screw		LED Strip Light Fixing Clips		LED Strip Lights	
6 PCS		6 PCS		1 STES	



Tear off the tape and apply it to the plate, Then press it firmly with your hand

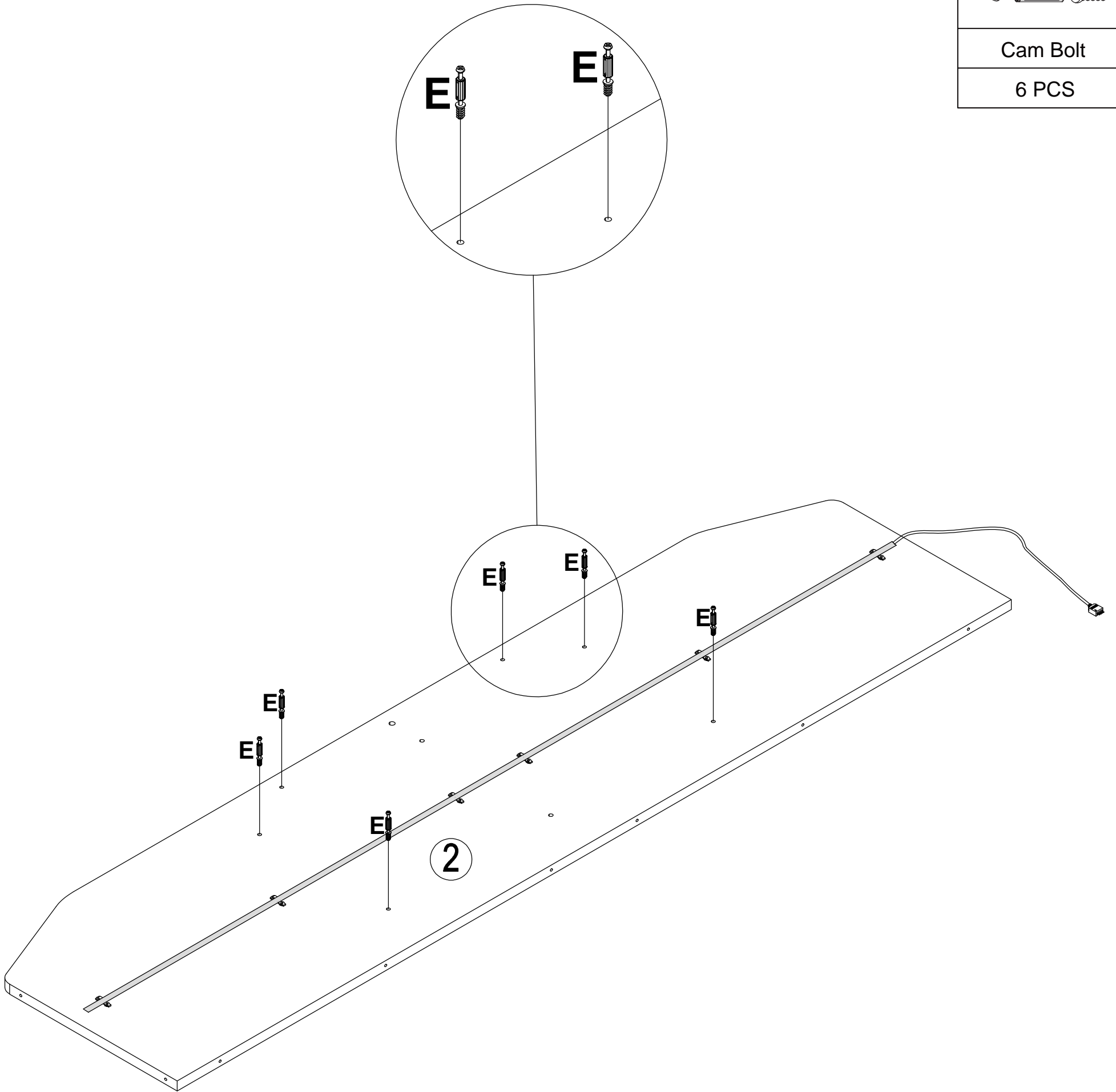
2

ⓔ M5×42mm



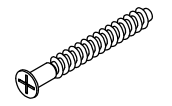
Cam Bolt

6 PCS



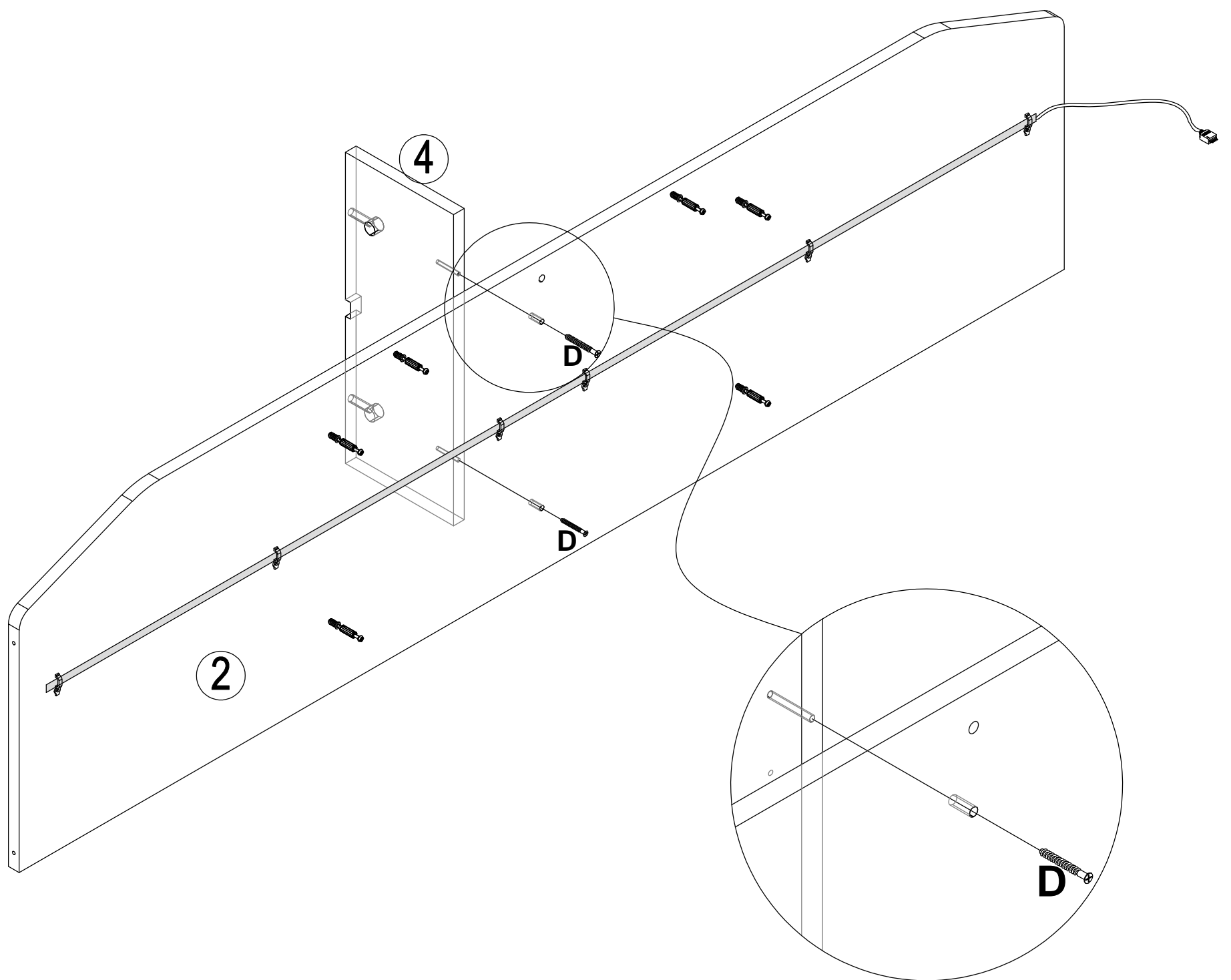
3

ⓓ M5x40mm



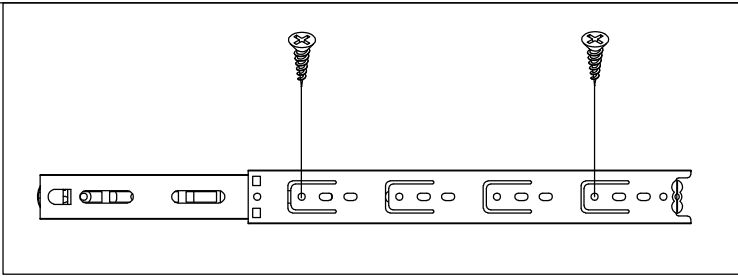
Screw

2PCS





4

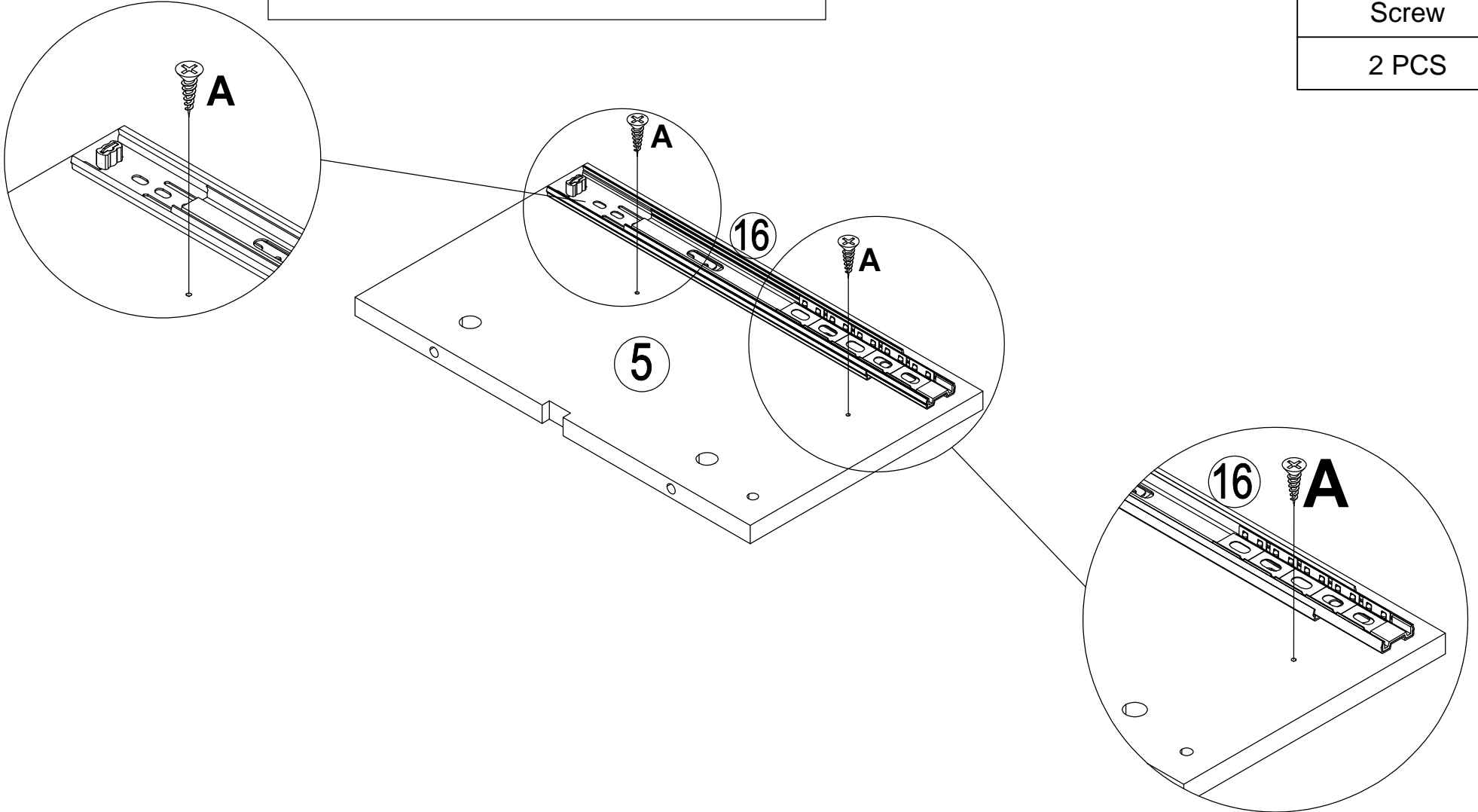


**A** M3.5×12mm

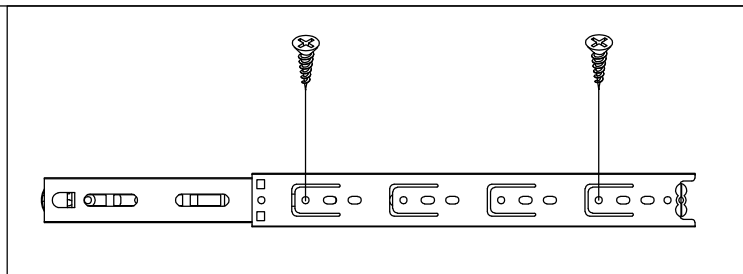


Screw

2 PCS



5

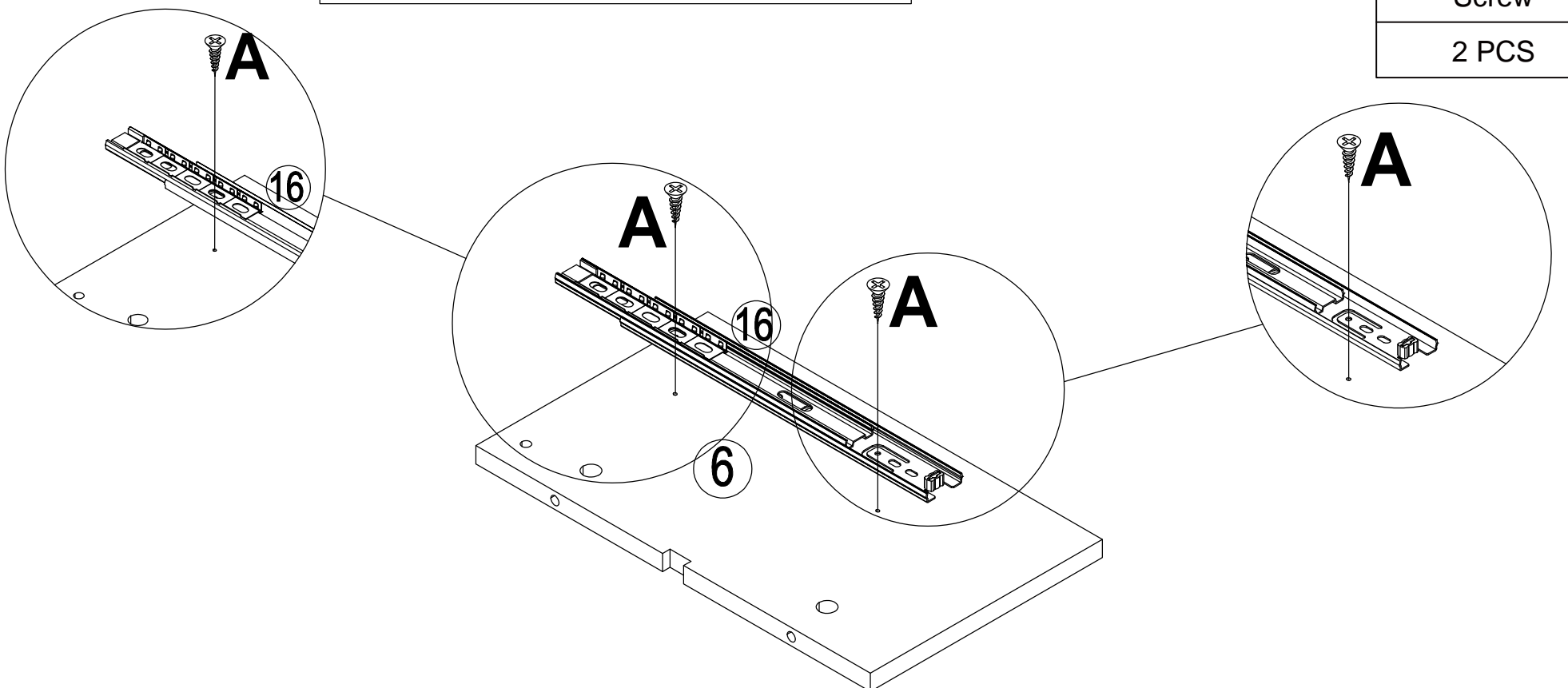


**A** M3.5×12mm

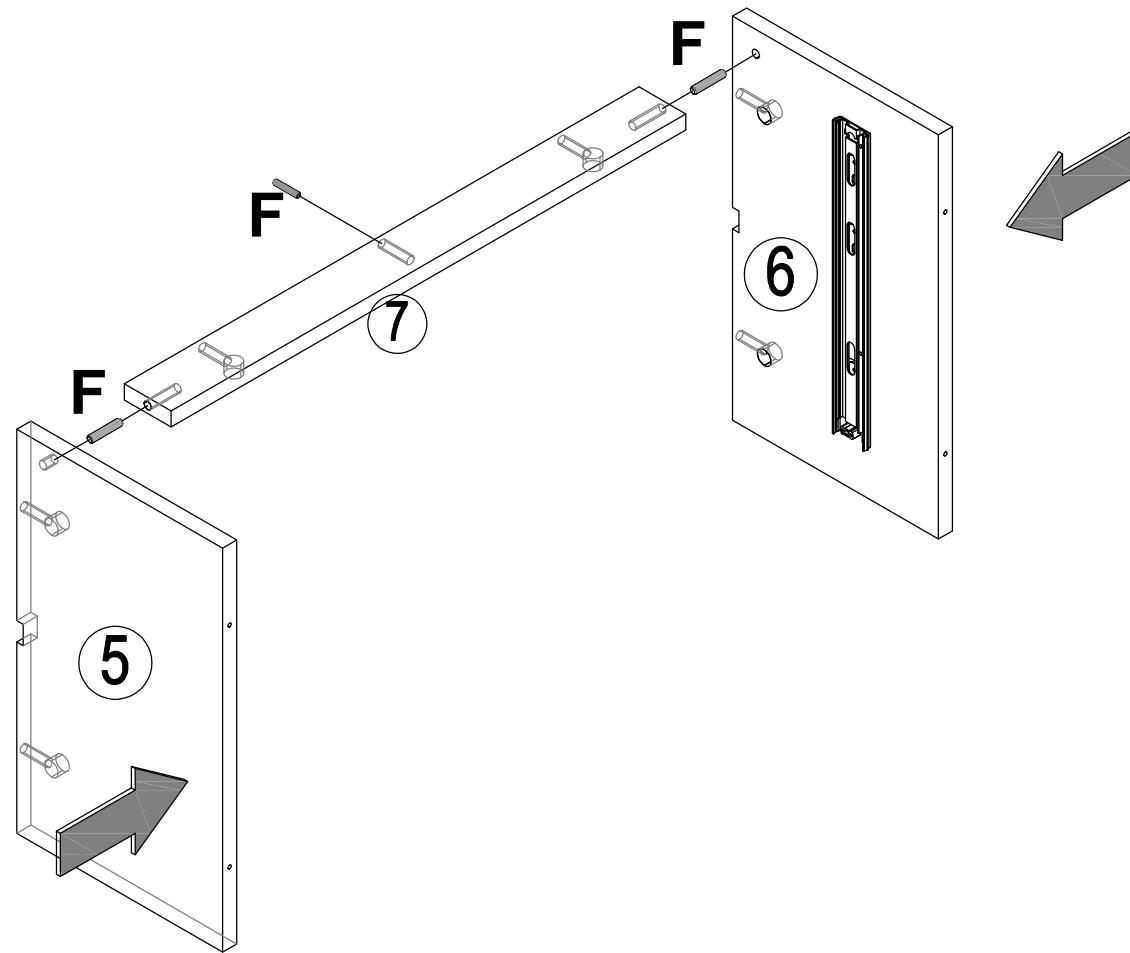



Screw

2 PCS

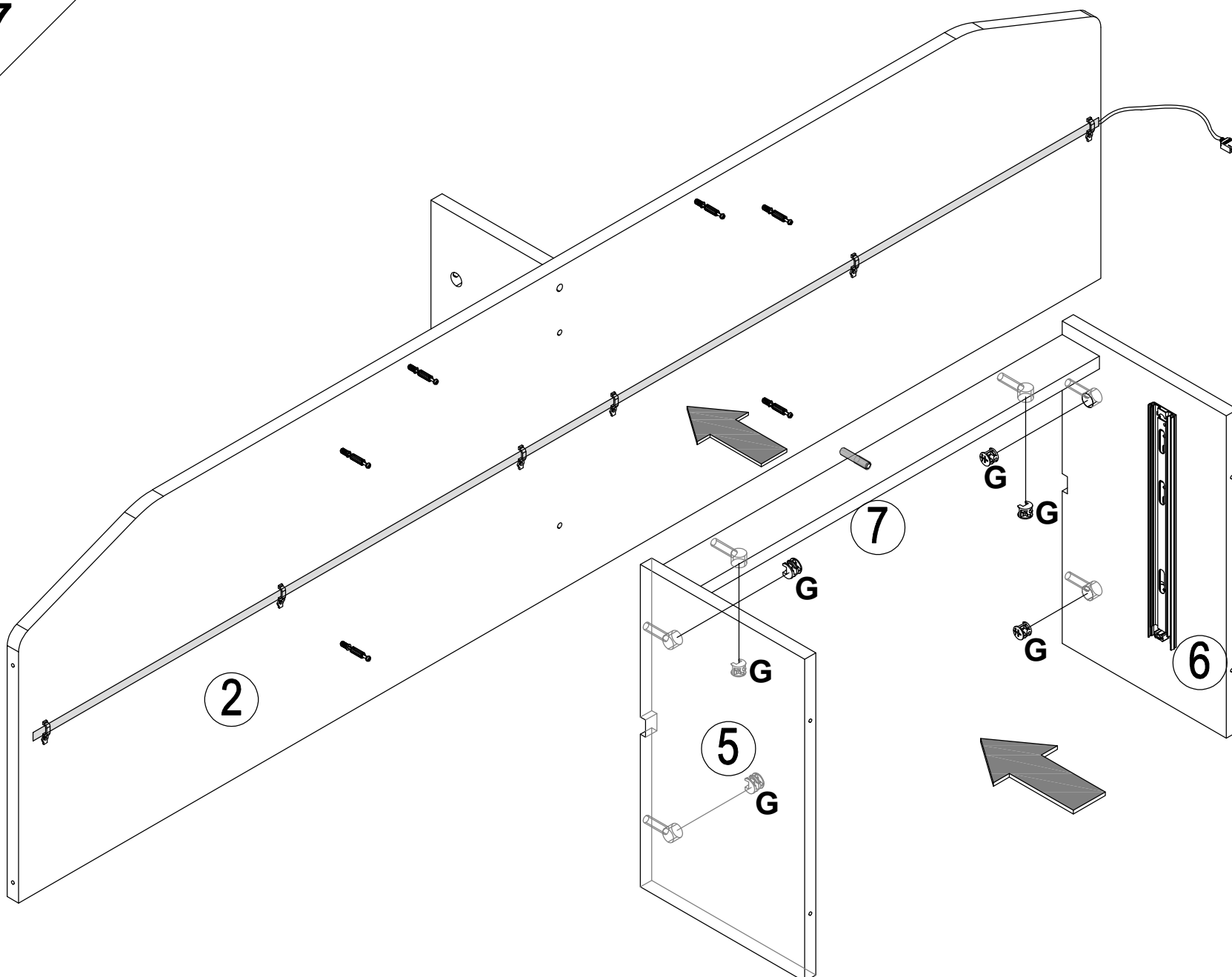



6



<b>F</b> Ø8×40mm

Wood Dowel
3 PCS

7



<b>G</b> Ø15×10mm

Cam Lock
6 PCS

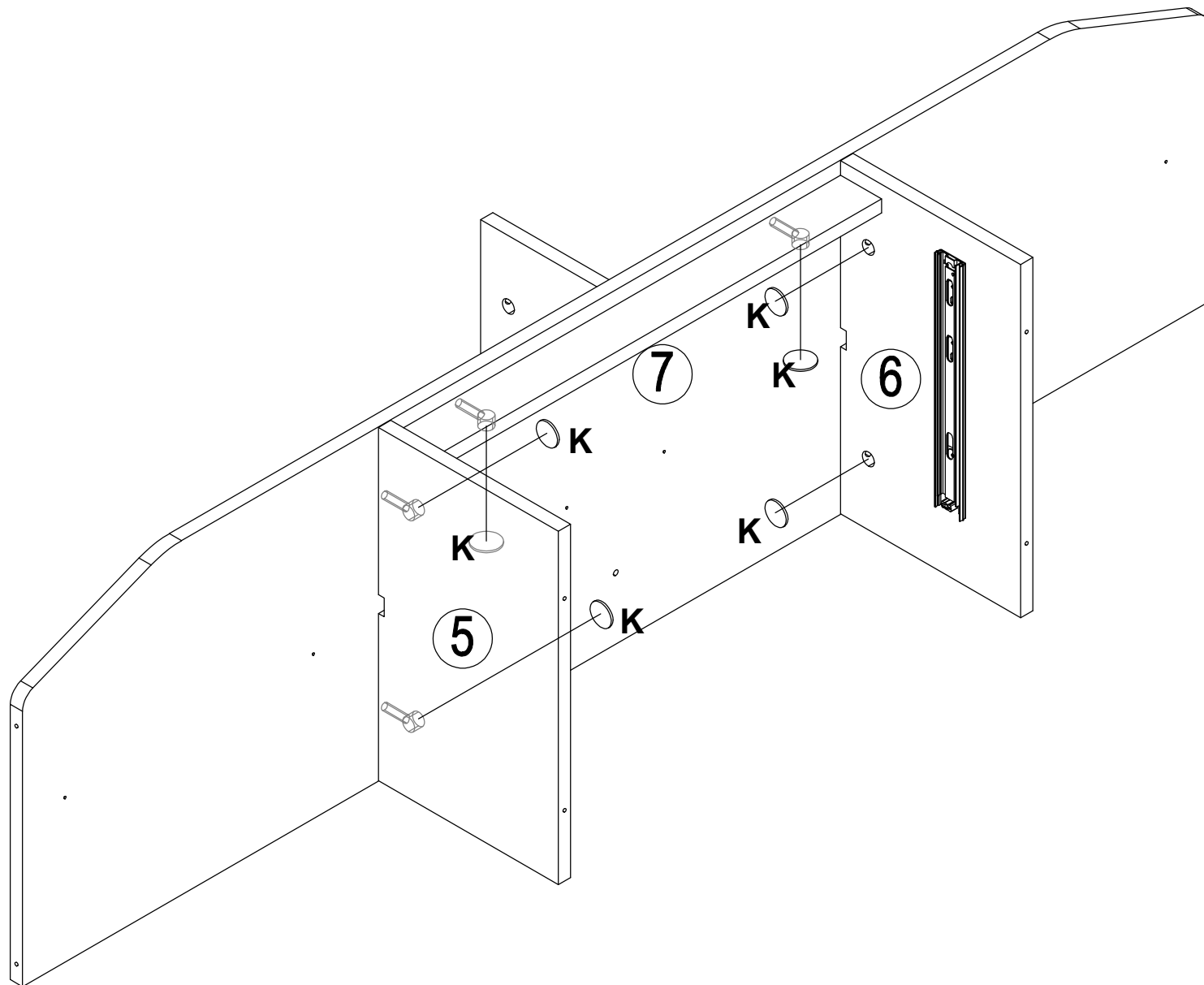
8

 Ø22



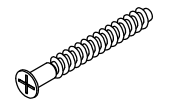
Cam Cover

6 PCS



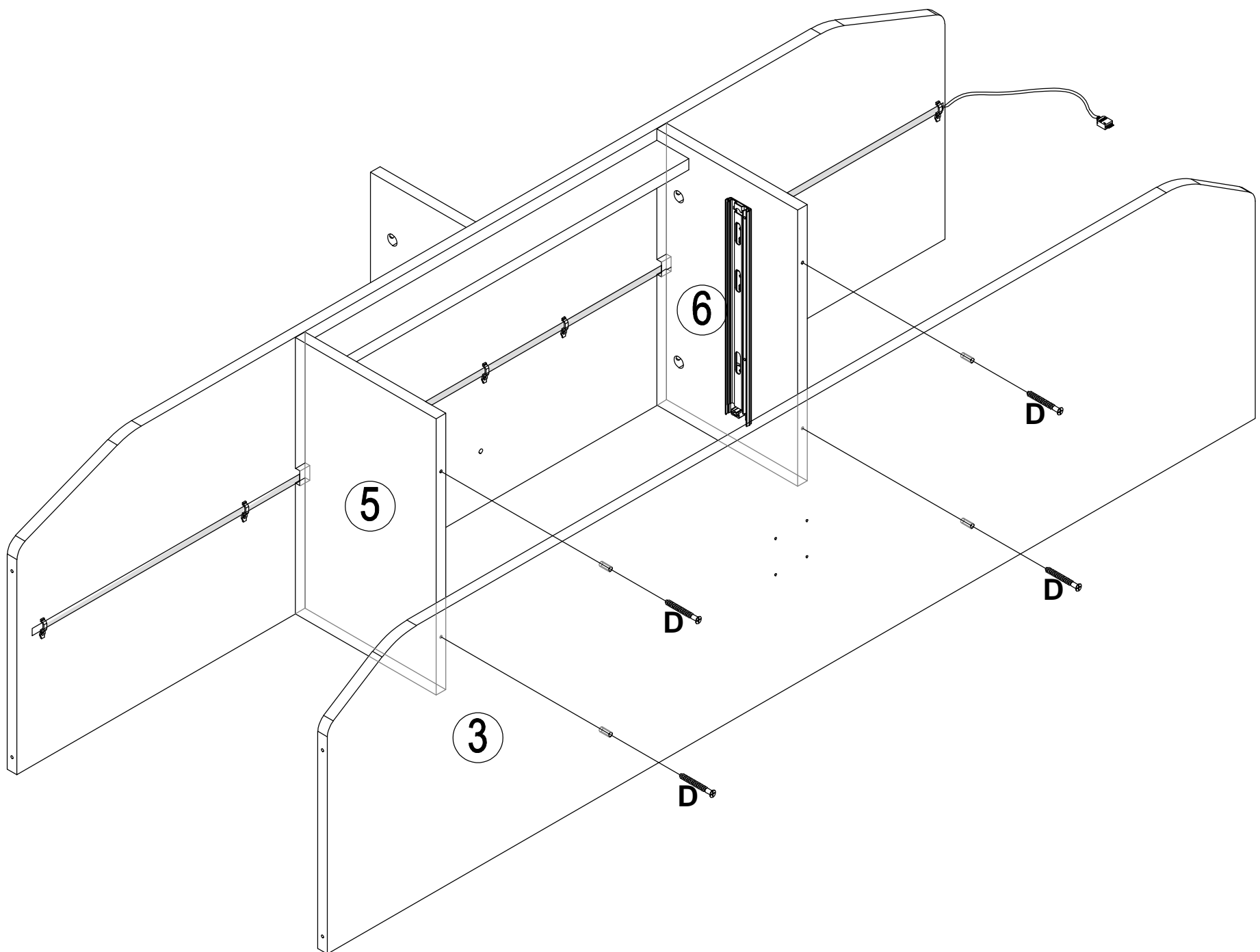
9

ⓓ M5x40mm




Screw

4PCS



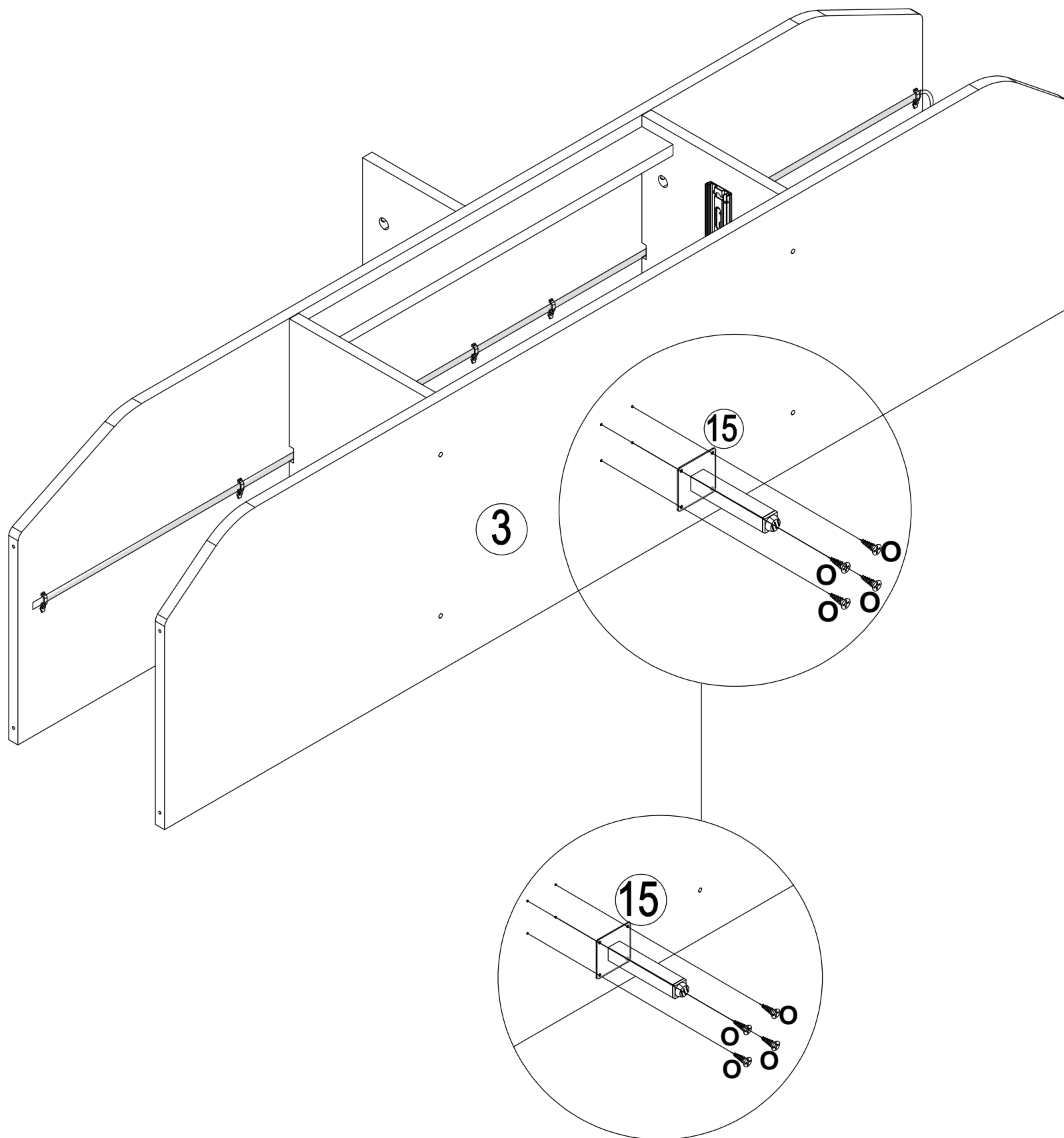
10

 M3.5×14mm

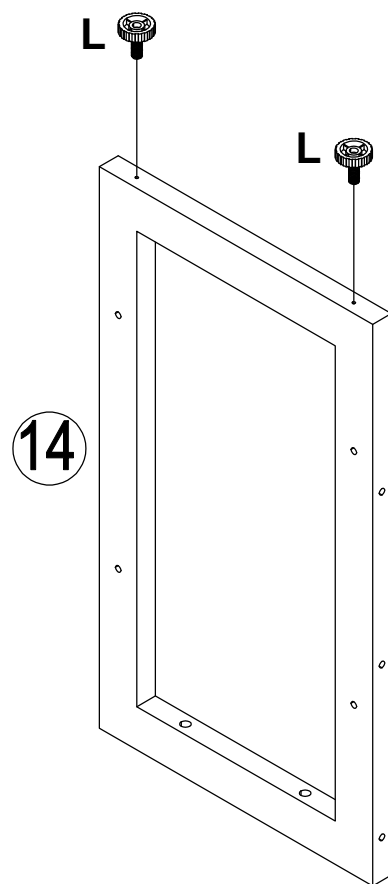


Screw

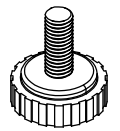
4 PCS



11



Ⓛ Ø28\*M8\*H10

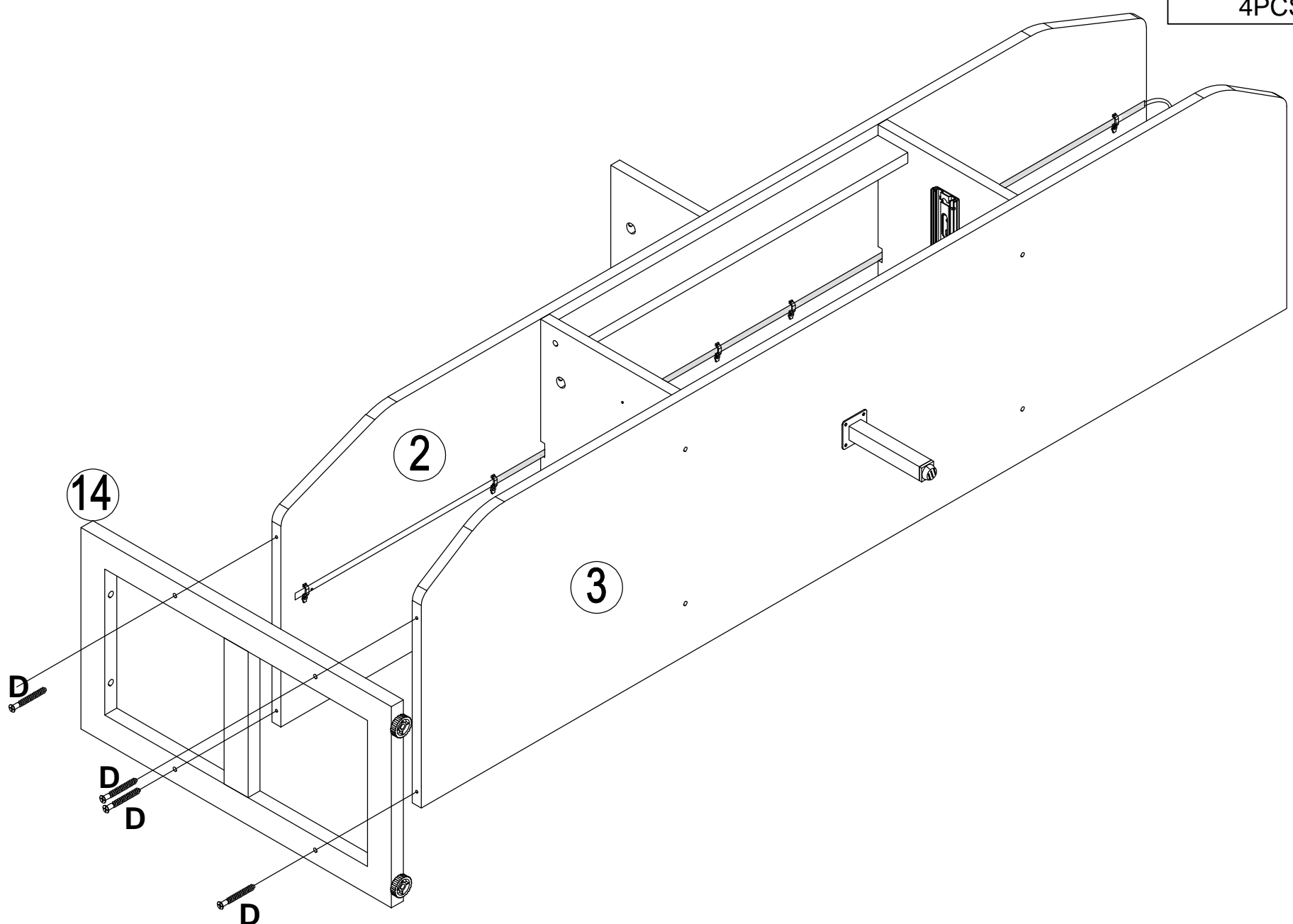


Foot Pads

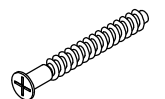
4 PCS

x 2

12



Ⓧ M5x40mm

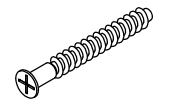


Screw

4PCS

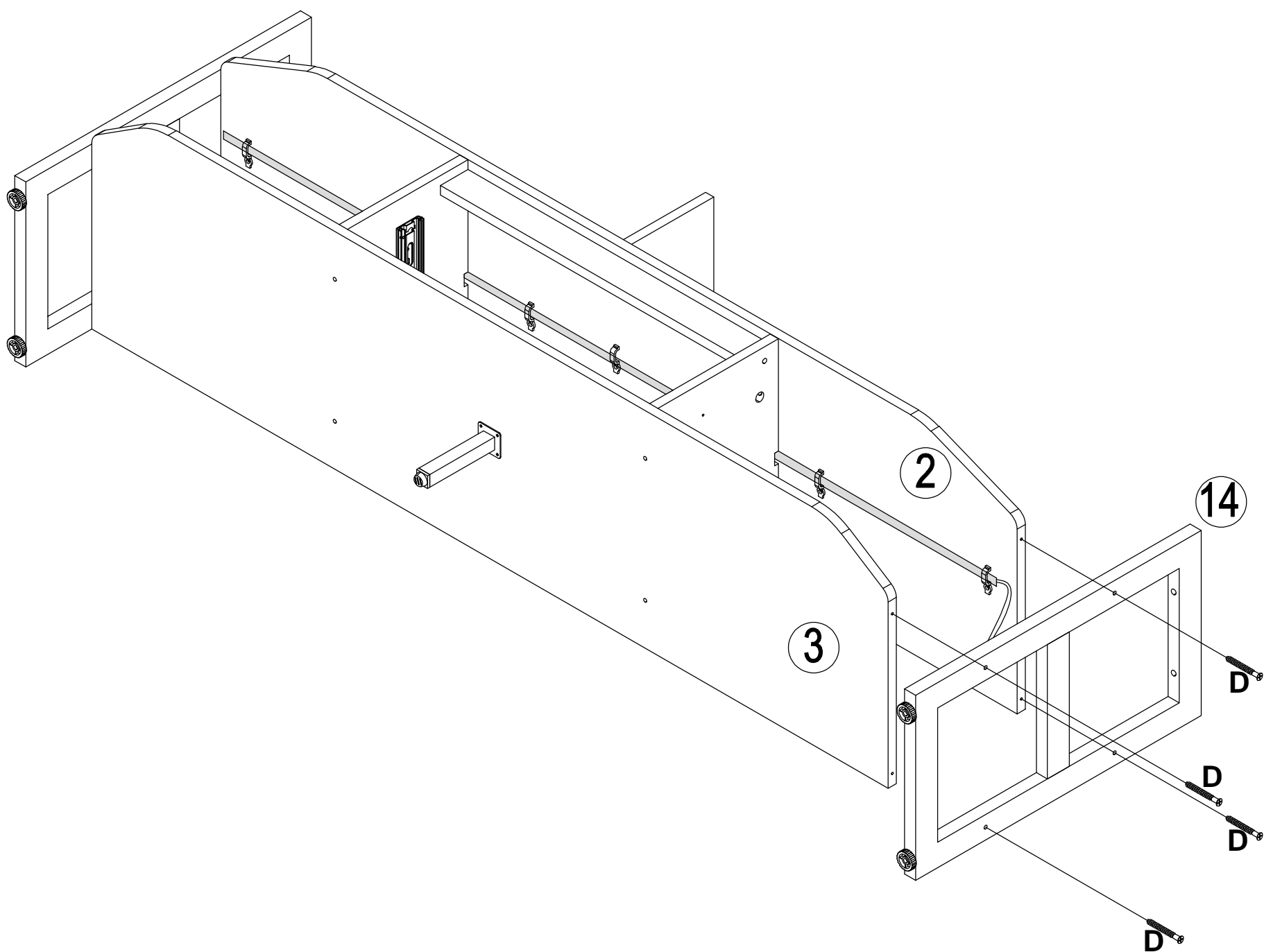
13

ⓓ M5x40mm


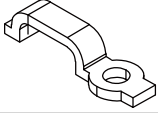



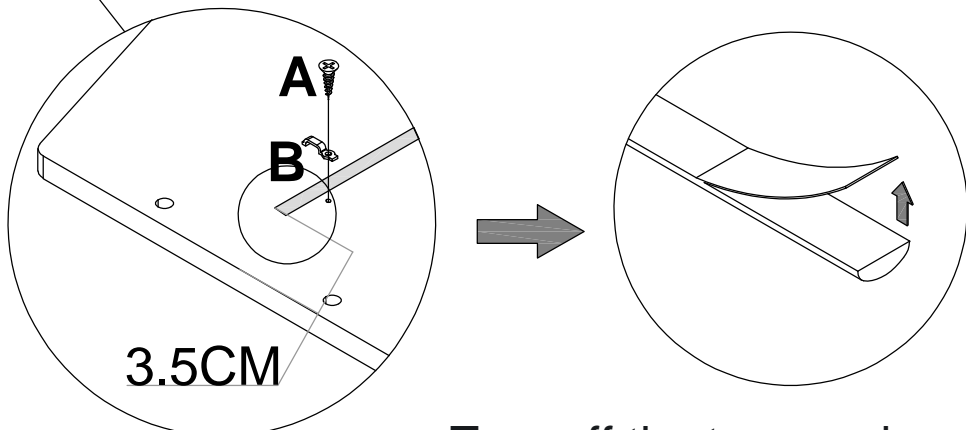
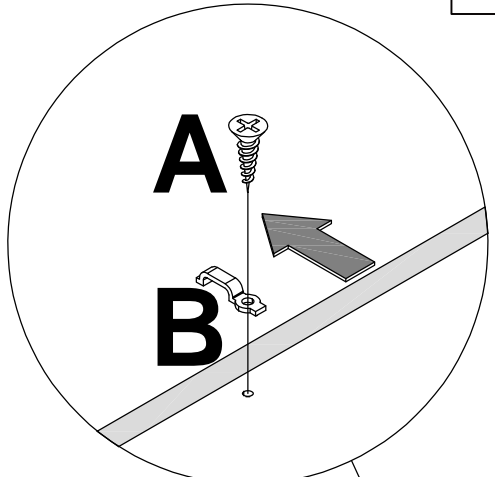
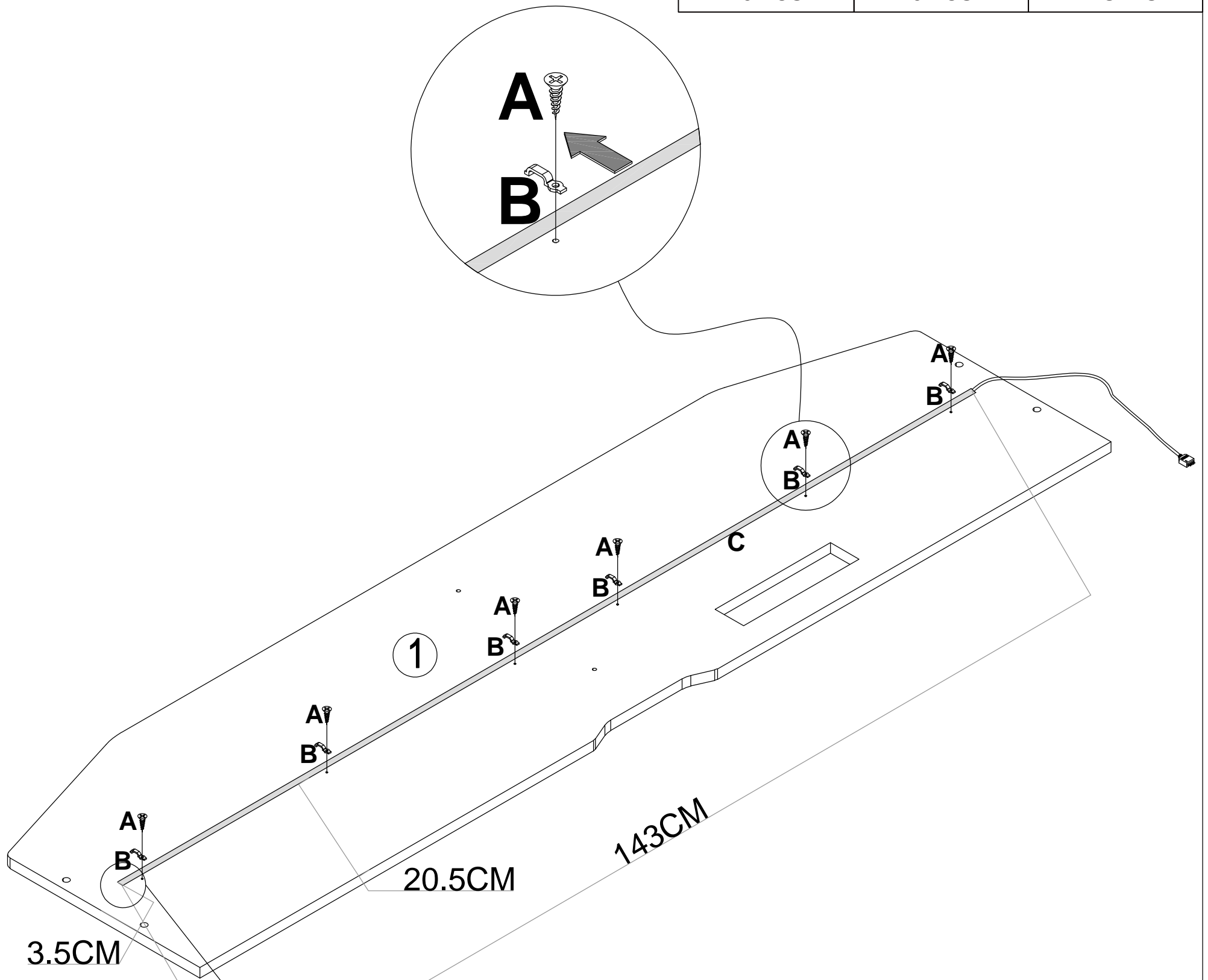
Screw

4PCS



14

Ⓐ M3.5×12mm	Ⓑ	Ⓒ
		
Screw	LED Strip Light Fixing Clips	LED Strip Lights
6 PCS	6 PCS	1 STES

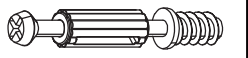


Tear off the tape and apply it to the plate, Then press it firmly with your hand



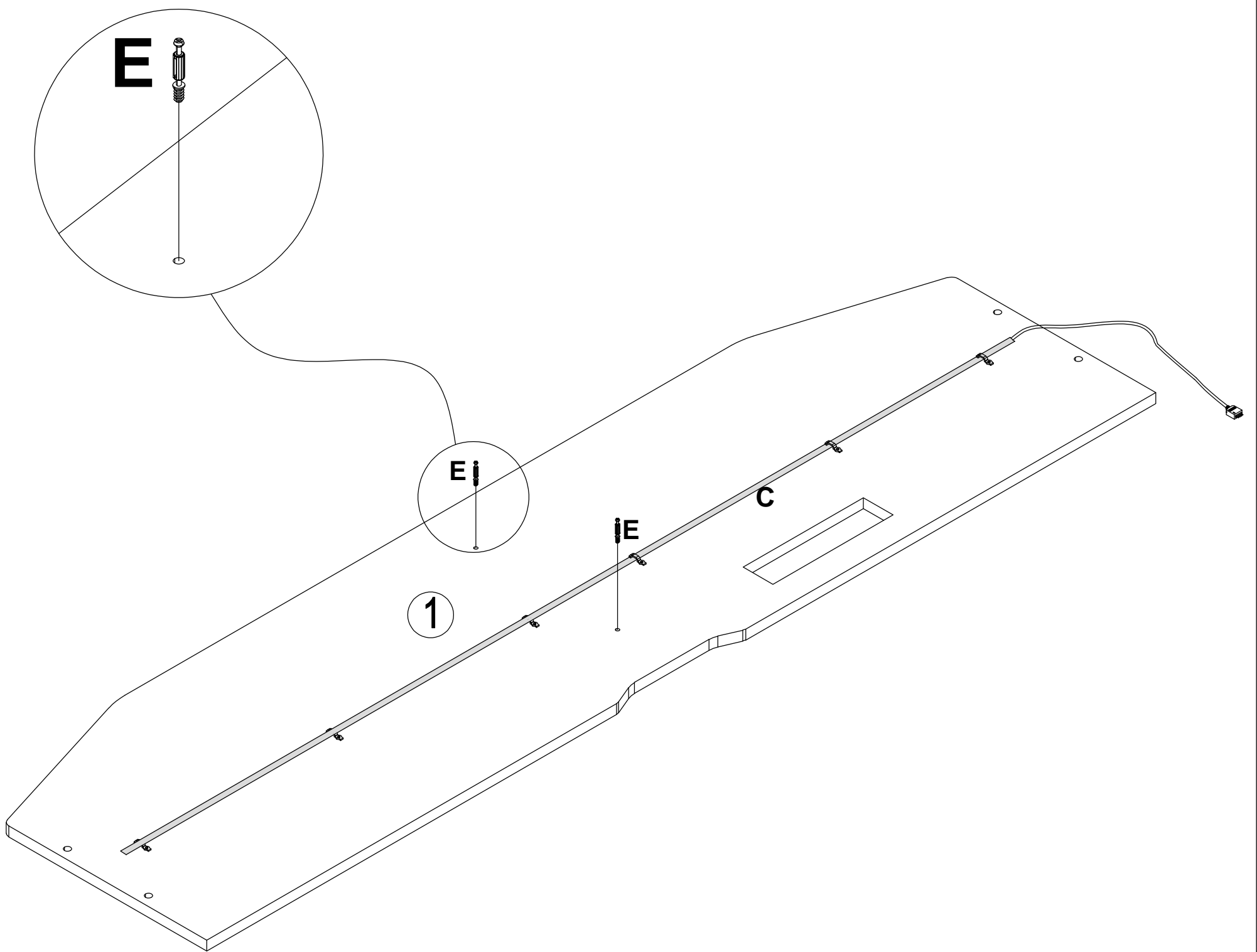
15

**E** M5×42mm







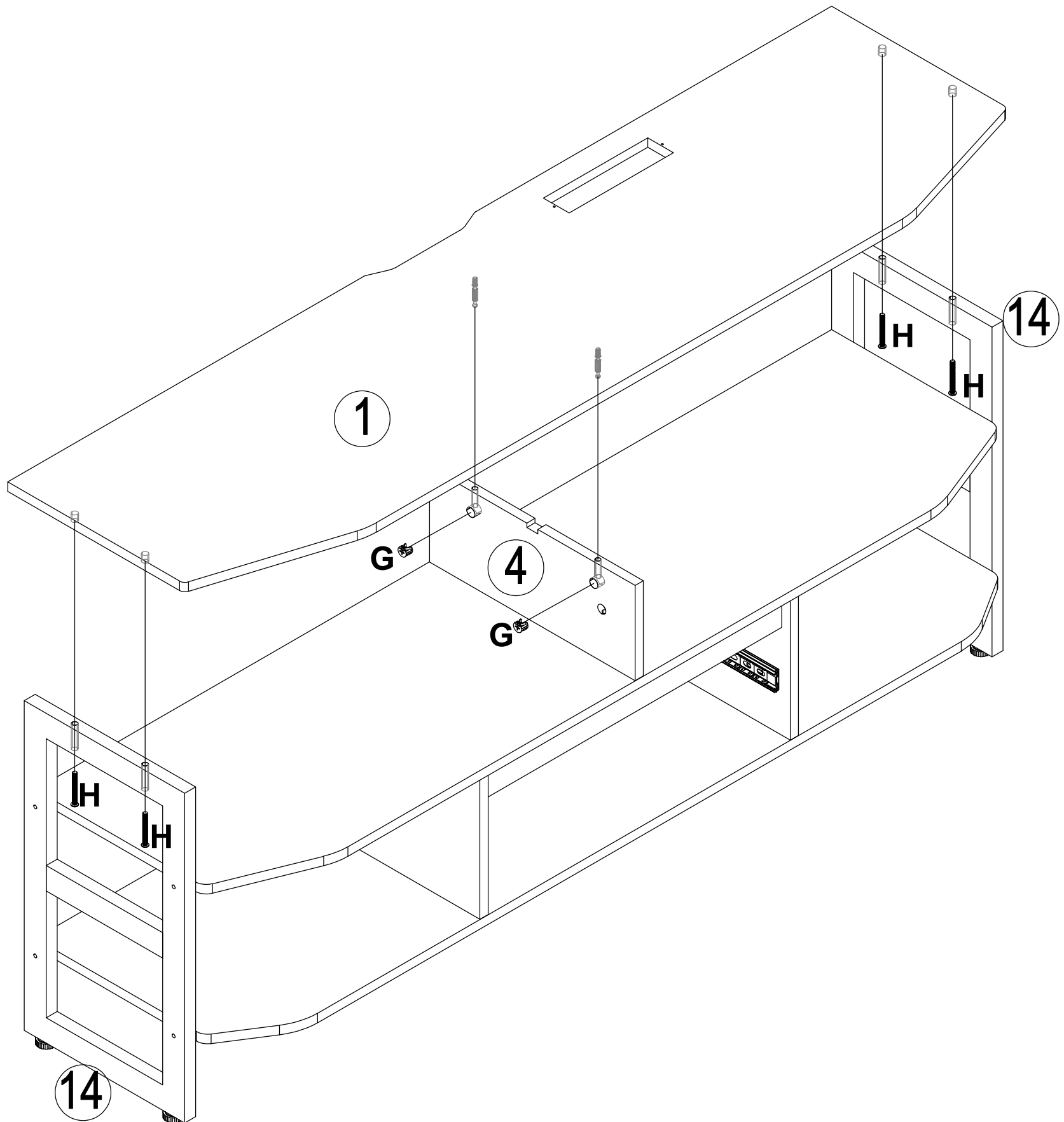
Cam Bolt

2 PCS



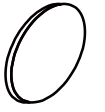
16

 Ø15×10mm	 M6×50mm
	
Cam Lock	Bolt
2 PCS	4 PCS



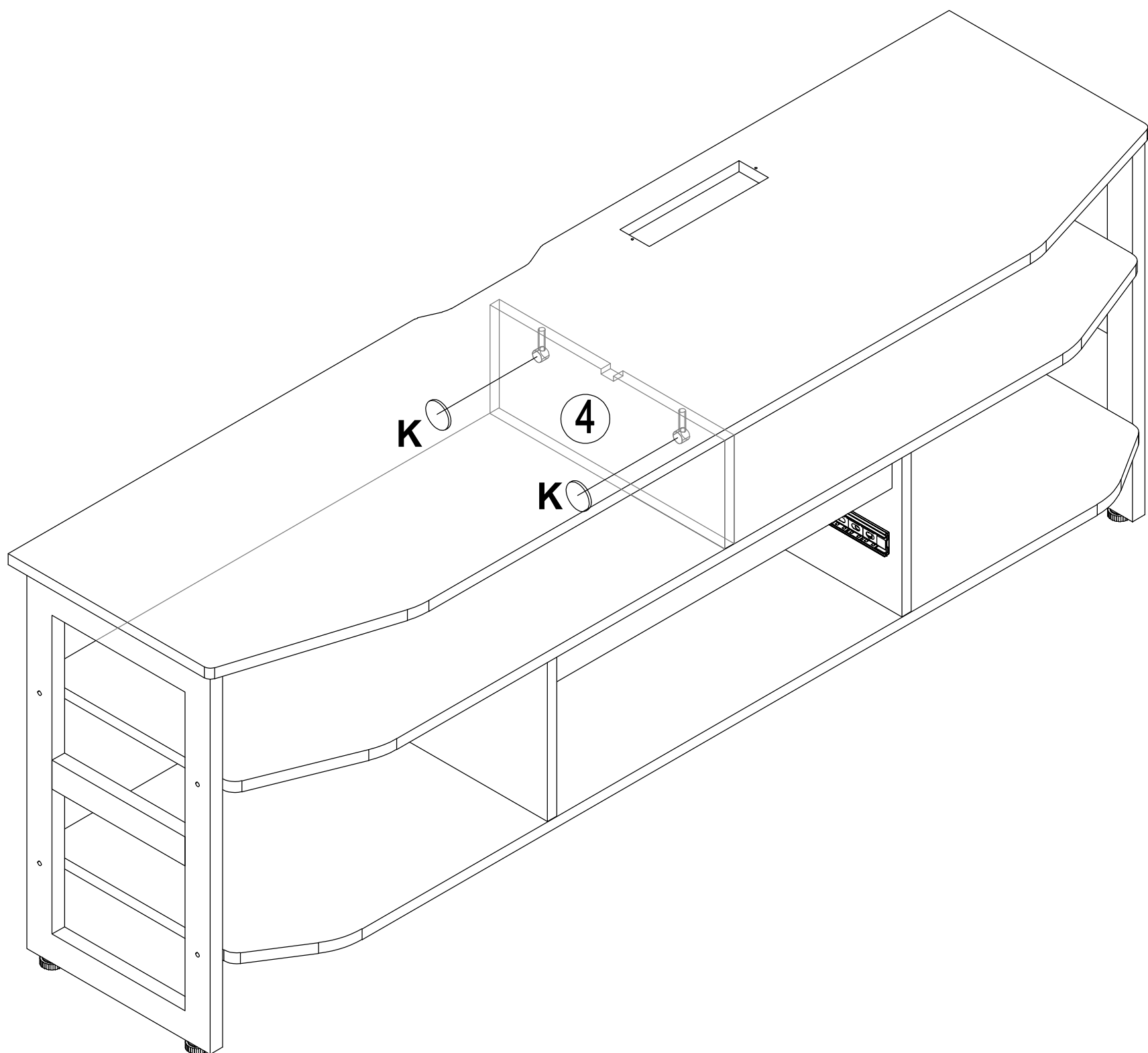
17

Ⓚ Ø22



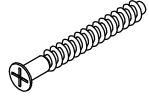



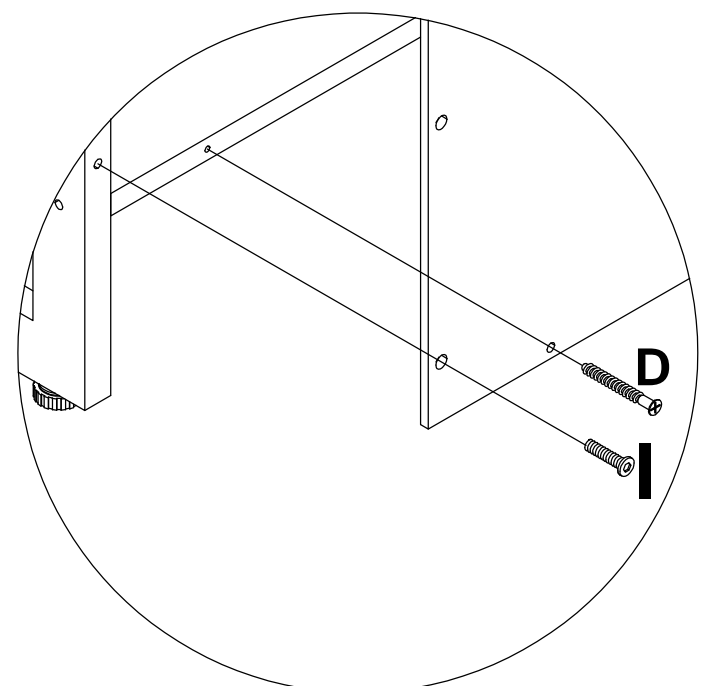
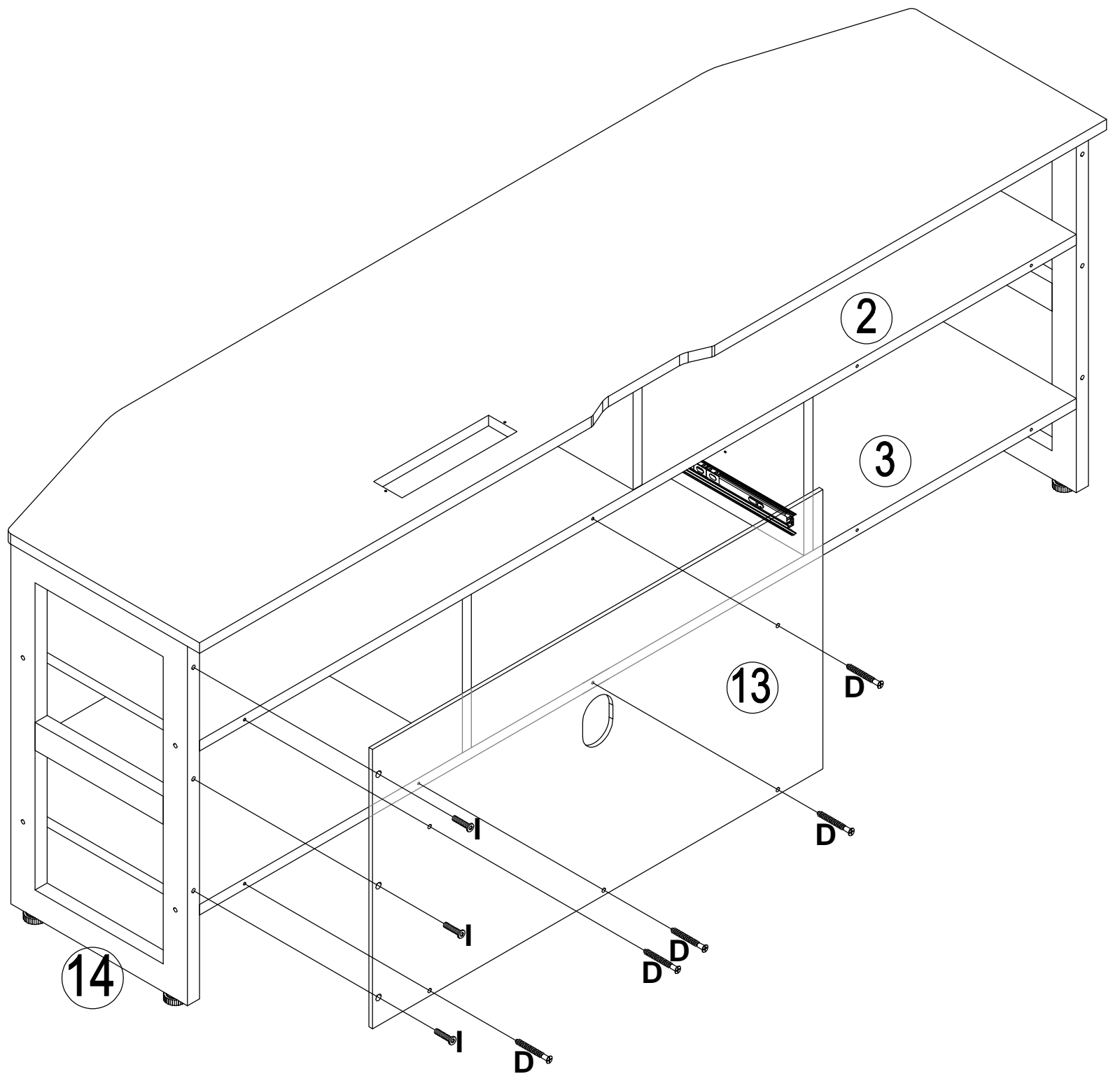
Cam Cover

2 PCS

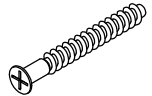



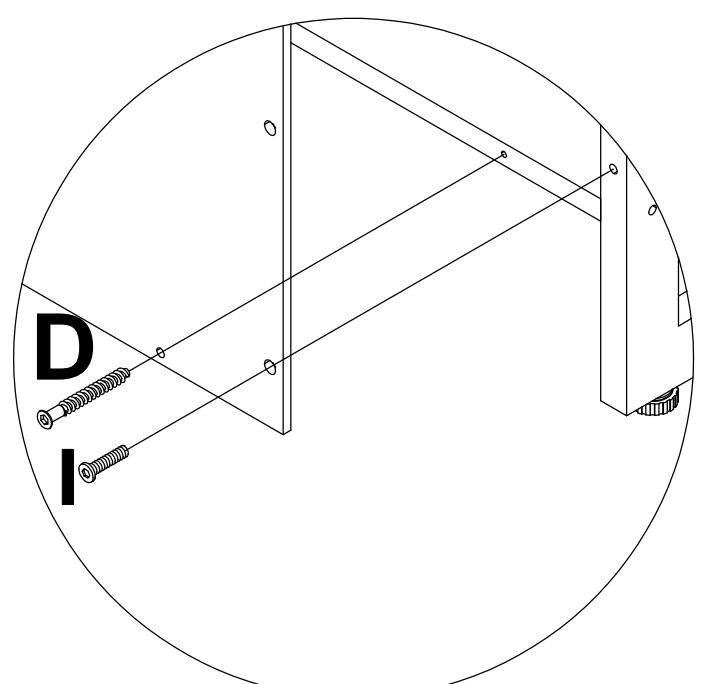
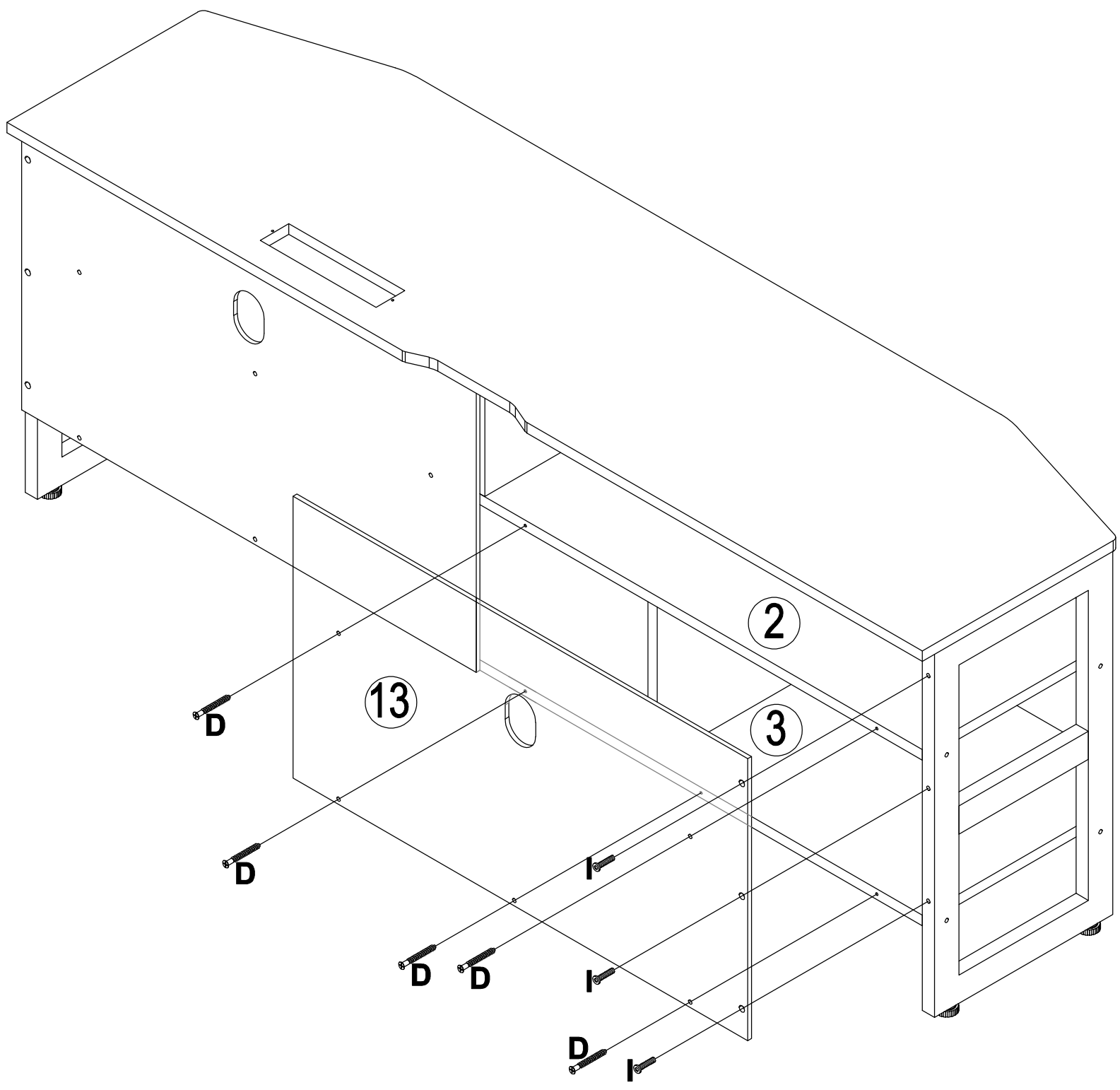
18

 M5x40mm	 M6x22mm
	
Screw	Bolt
5PCS	3 PCS

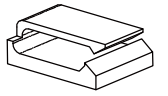


19

<b>D</b> M5x40mm	<b>I</b> M6x22mm
	
Screw	Bolt
5PCS	3 PCS

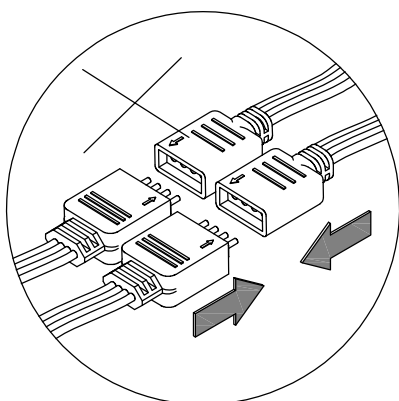
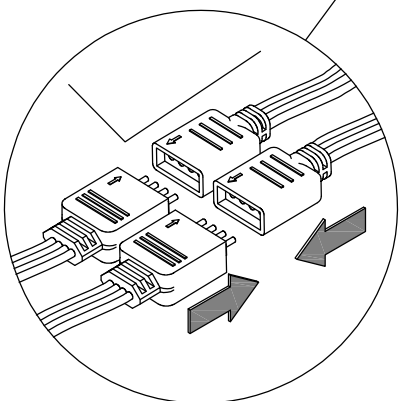
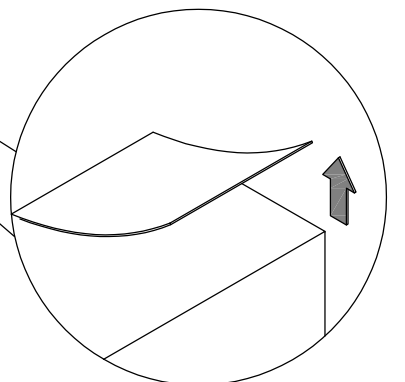
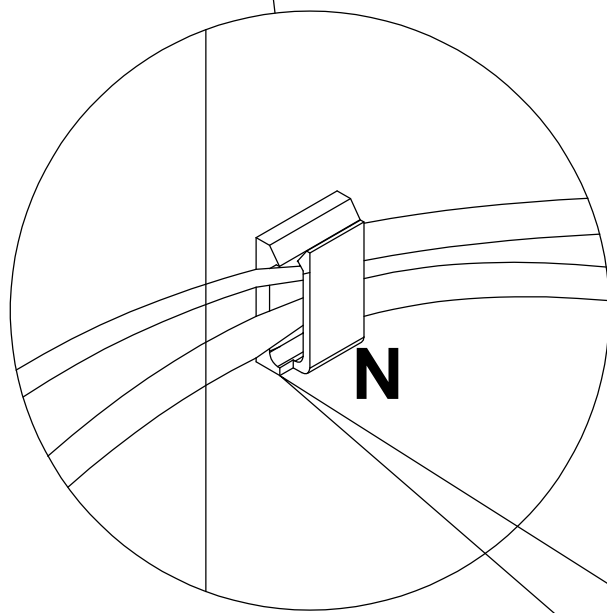
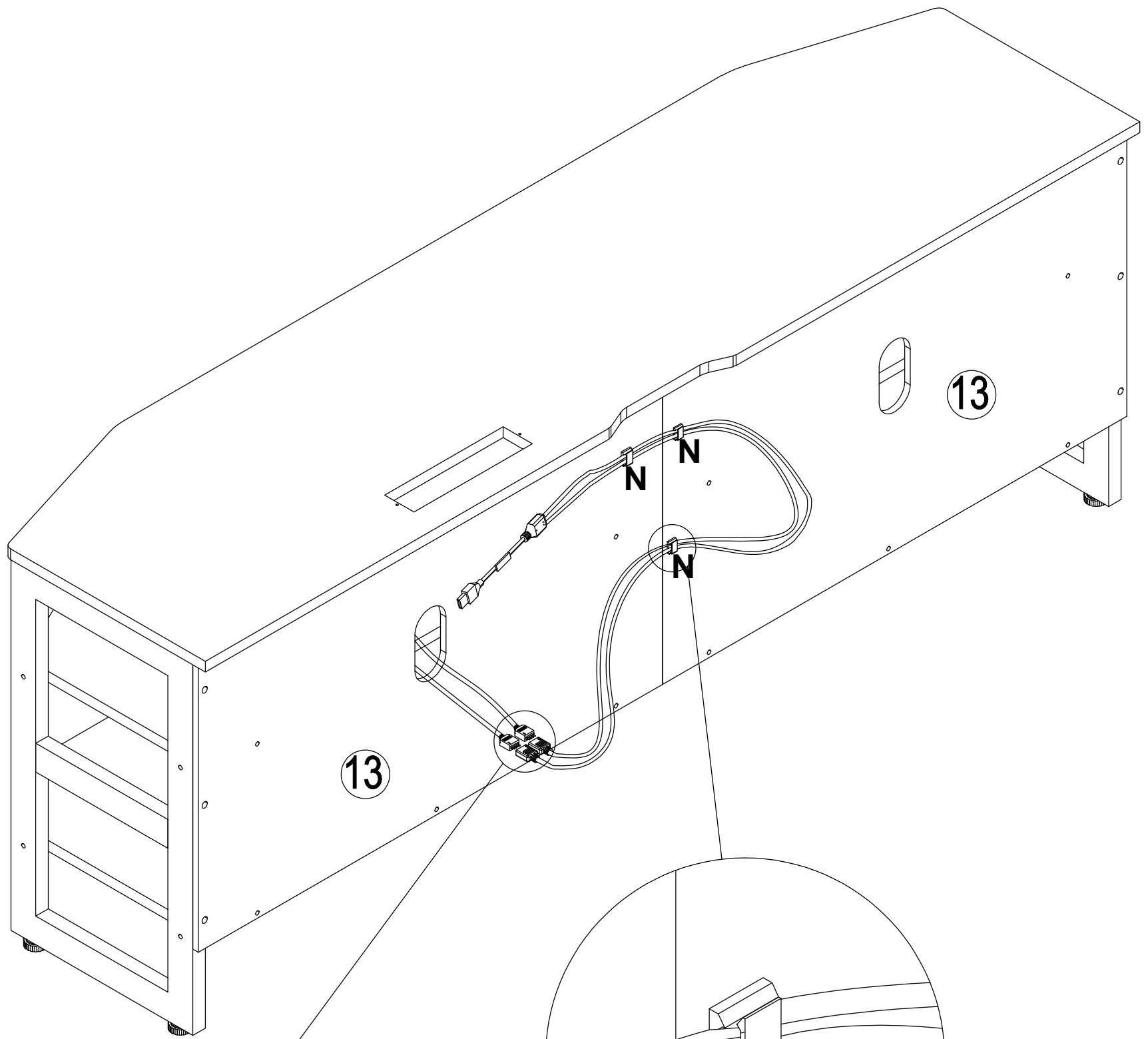


20



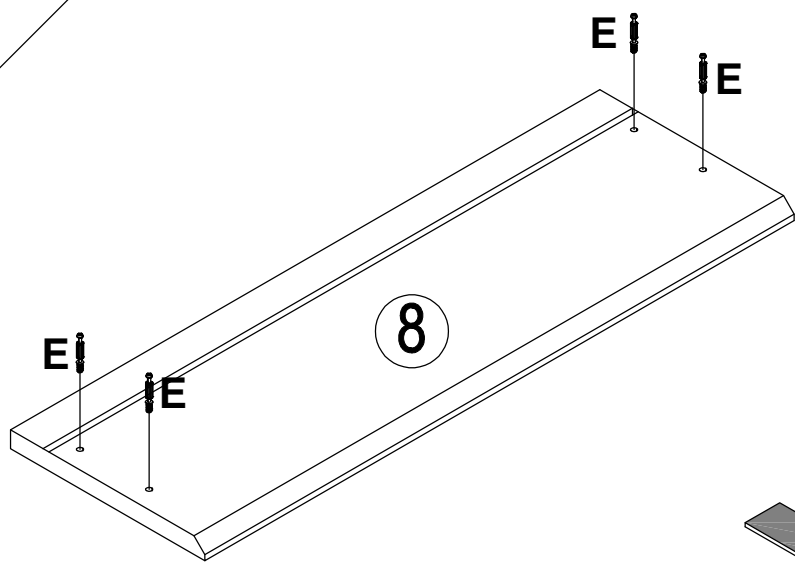
Wire Clip



3PCS

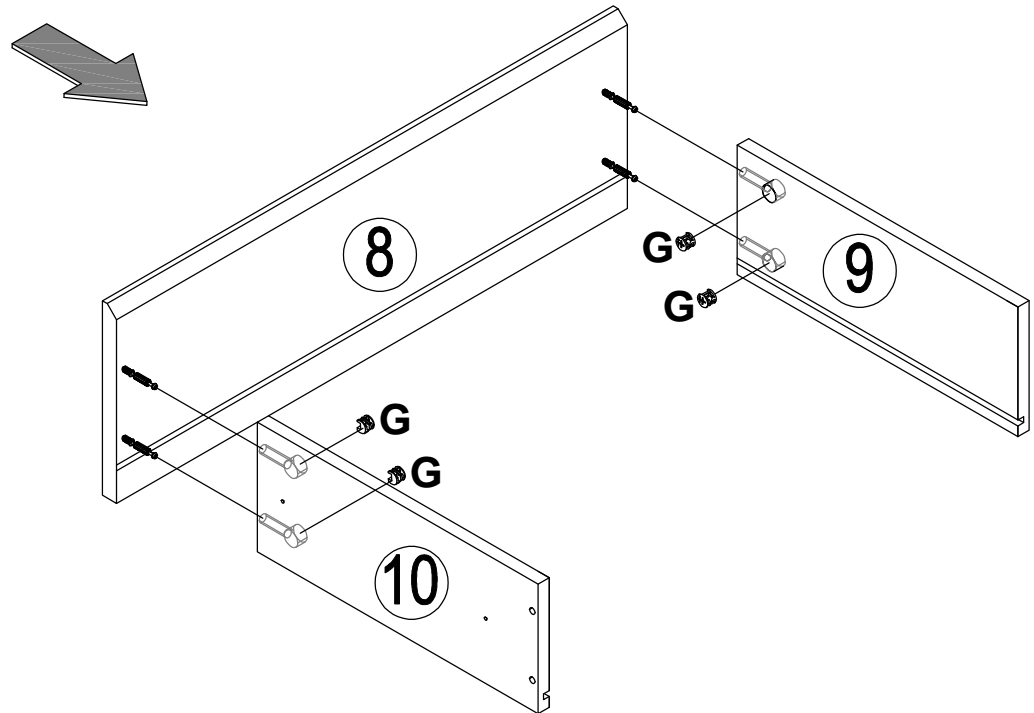


**Note: Direction Alignmen**

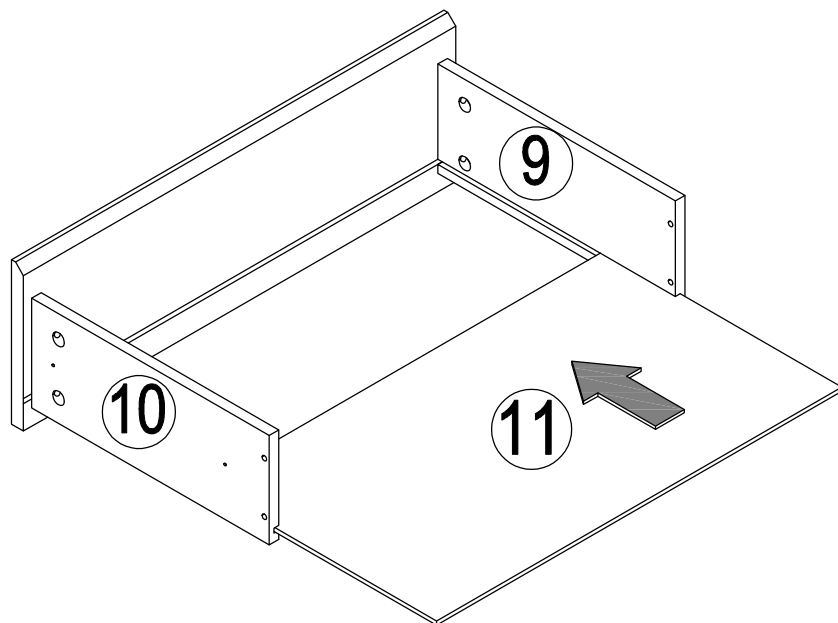
21

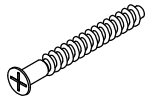


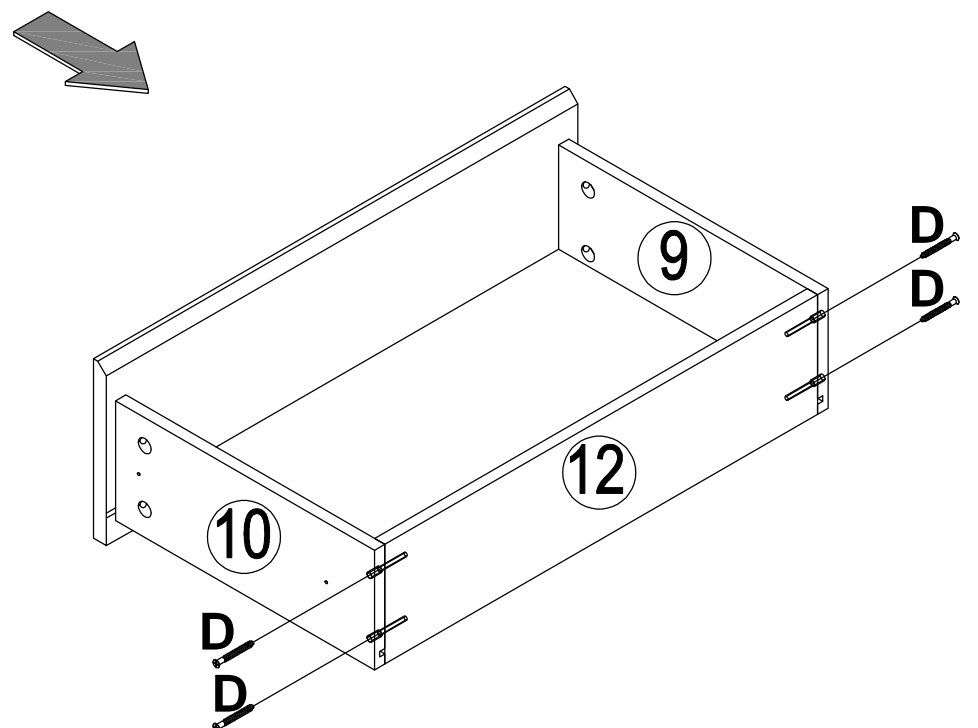
<b>E</b> M5×42mm	<b>G</b> Ø15×10mm
	
Cam Bolt	Cam Lock
4 PCS	4 PCS




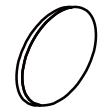
22

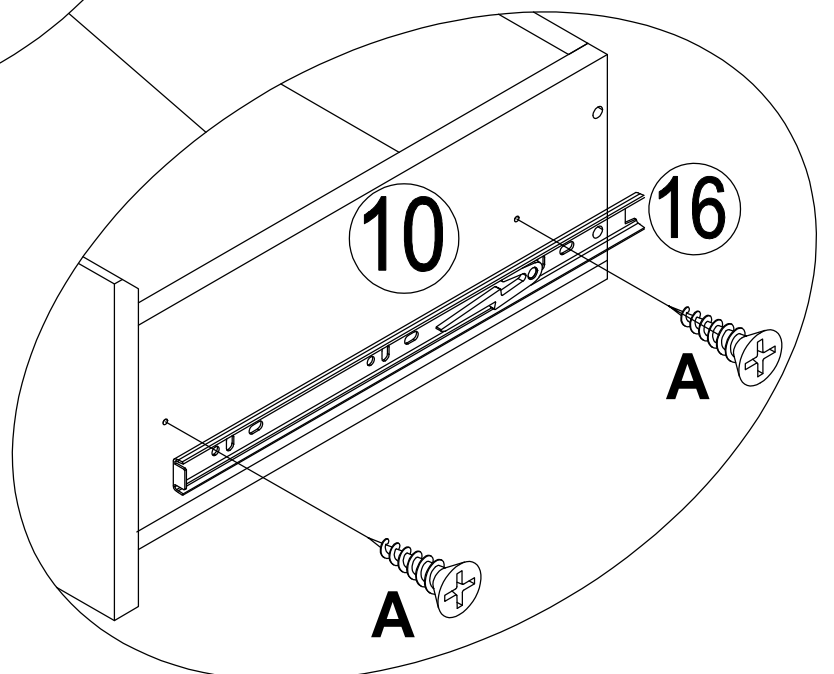
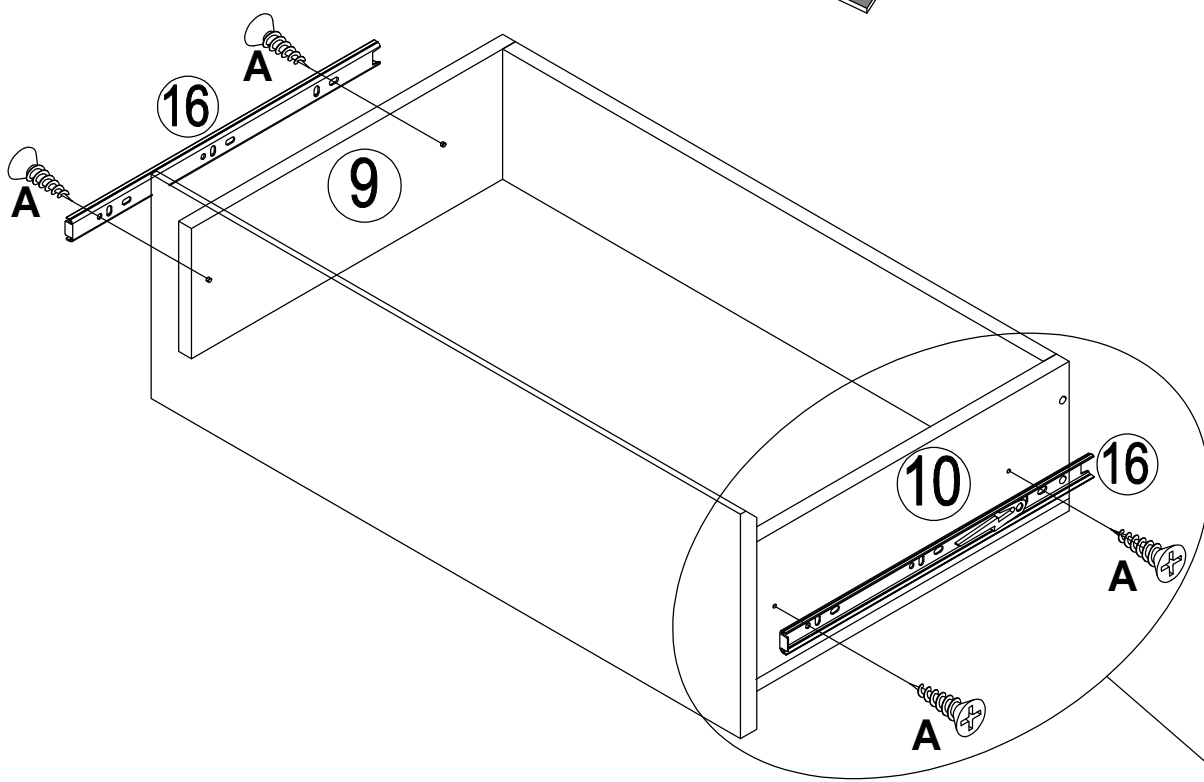
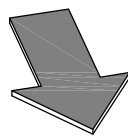
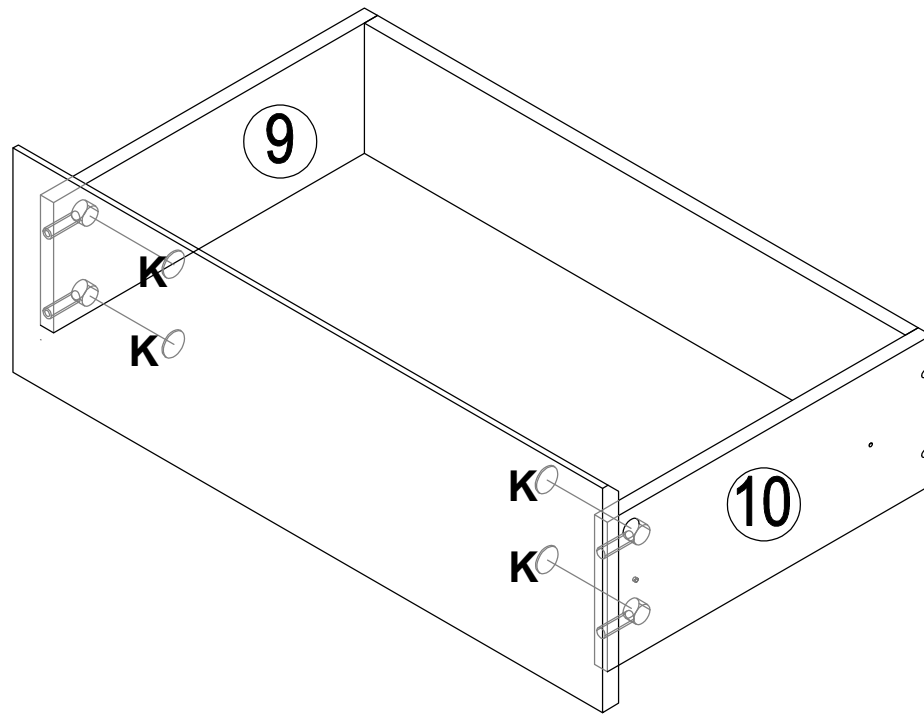


<b>D</b> M5x40mm

Screw
4PCS



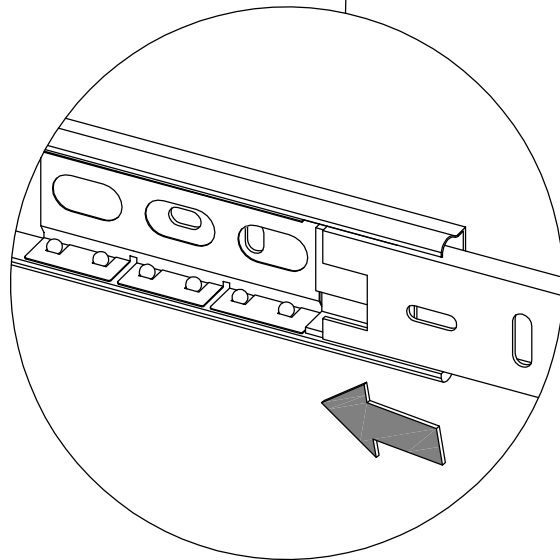
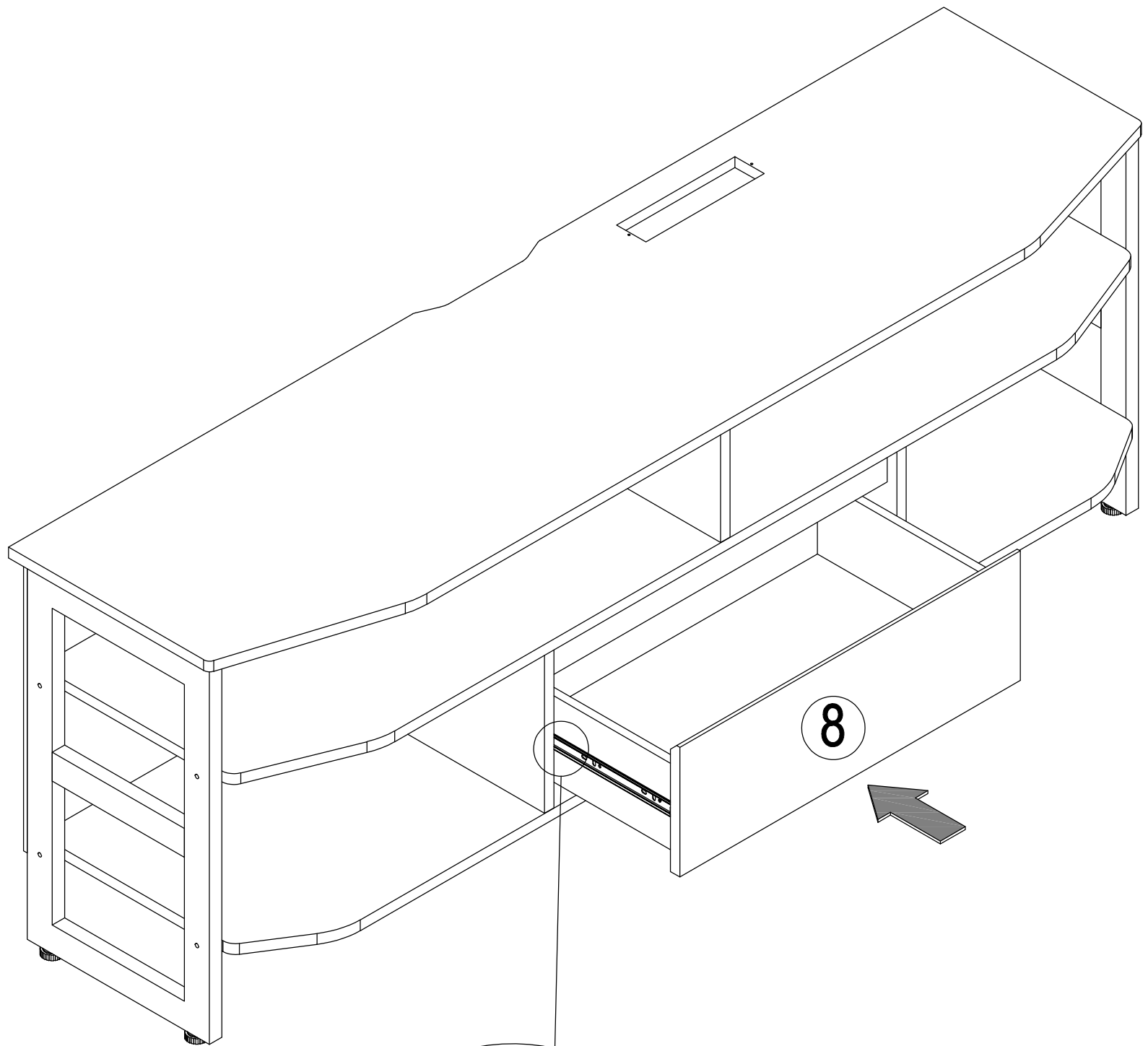
23

<b>A</b> M3.5×12mm	<b>K</b> Ø22
	
Screw	Cam Cover
4 PCS	4 PCS







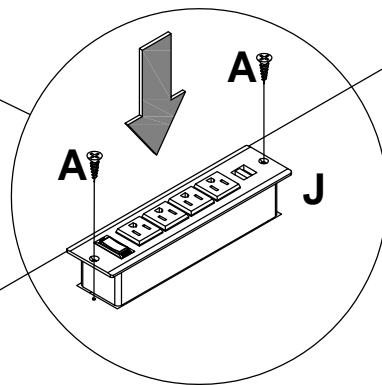
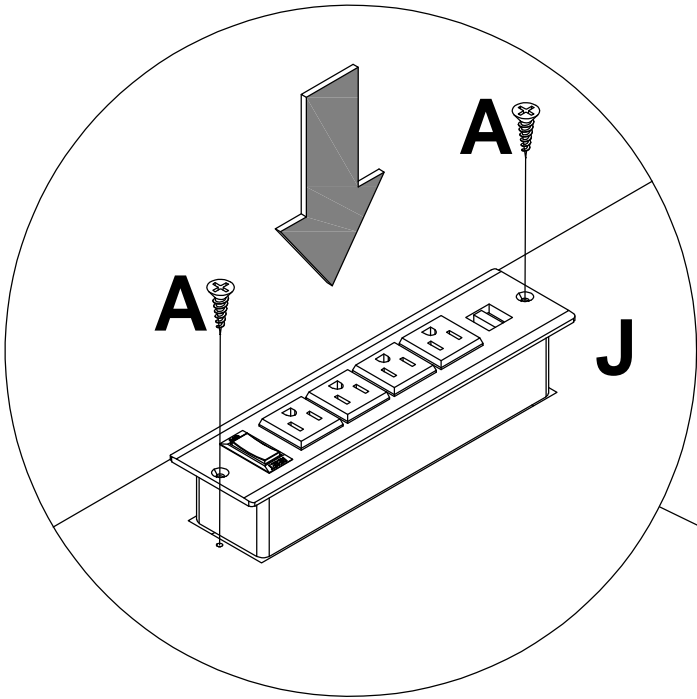
24



Align the slide and push in

25

<b>A</b> M3.5×12mm	<b>J</b>
	
Screw	Power Strip
2 PCS	1 PCS



1

