

THIS INSTRUCTION BOOKLET CONTAINS IMPORTANT SAFETY INFORMATION. PLEASE READ AND KEEP FOR FUTURE REFERENCE.

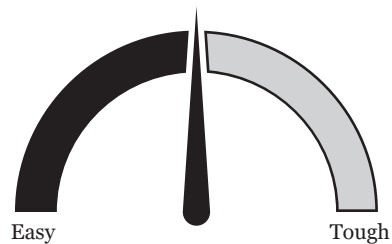
Do Not Return This Product!

Contact our customer service team
for help first.



WARNING

- Unit can tip over causing severe injury or death.
- Anchor unit to stud in wall (if instructed to)
- Do Not allow children to climb on unit.
- put heavy items on lower shelves or drawers.



Assembly Difficulty Meter



CONTACT US!

Do NOT return this product!

Contact our friendly customer service team first for help.

Assembly Tips



HELPFUL HINTS

PEOPLE NEEDED FOR ASSEMBLY:2
ESTIMATED ASSEMBLY TIME:2 HOUR

- Open your item in the area you plan to keep it to avoid excessive heavy lifting.
- Identify,sort and count the parts before attempting assembly.
- Back panel must be used to make sure your unit is sturdy.
- Do NOT use harsh chemicals or abrasive cleaners on this item.
- Never push,pull,or drag your furniture.

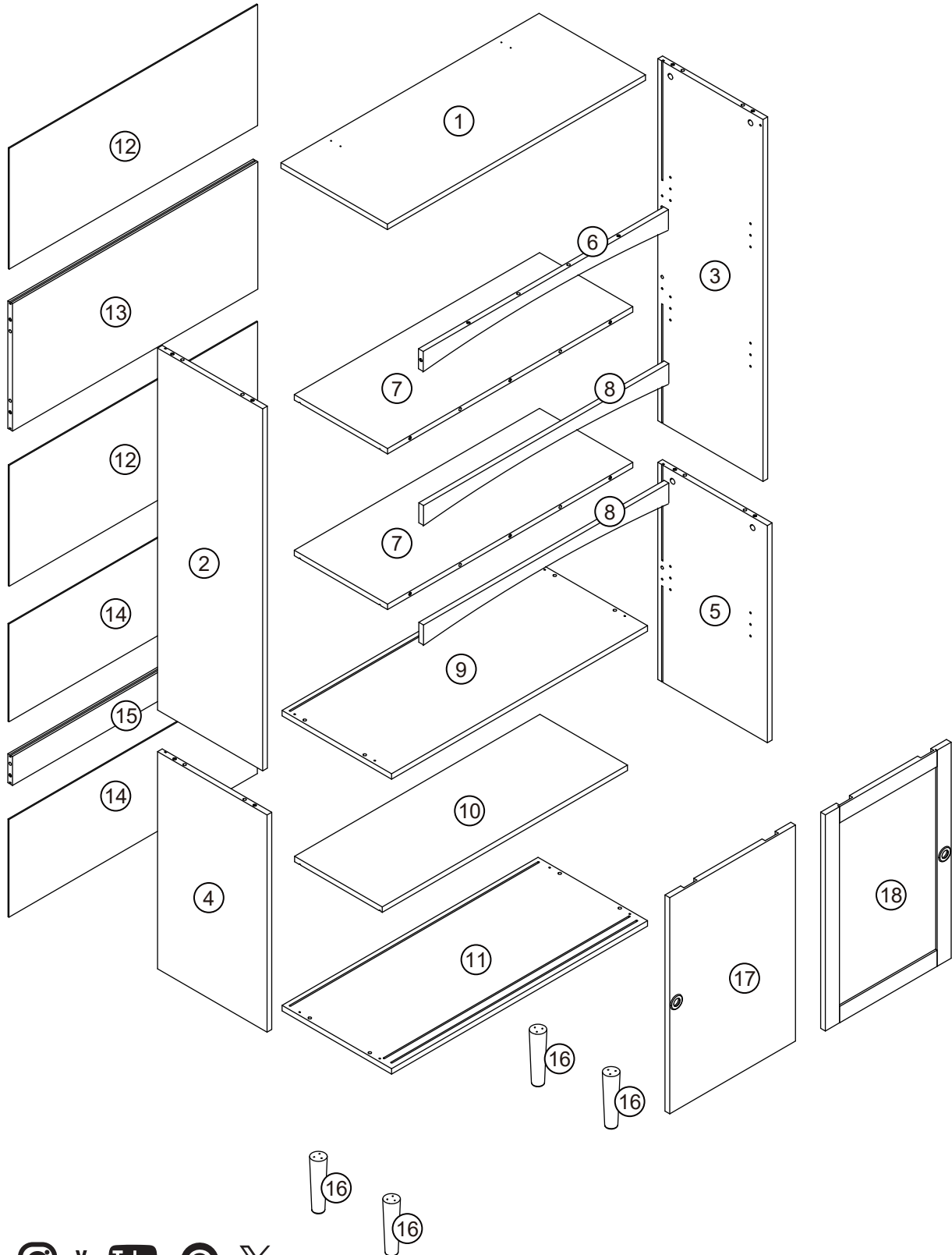


BEFORE YOU START

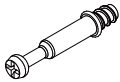

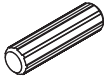
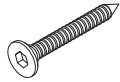

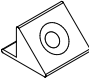

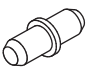
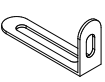

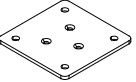


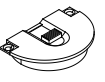




- Read through each step carefully and follow the proper order
- Separate and count all your parts and hardware
- Give yourself enough room for the assembly process
- Have the following tools:Flat Head Screwdriver,#2 Phillips Head Screwdriver and Hammer
- Caution: IF using a power drill or power screwdriver for screwing,please be aware to slow down and stop when screw is tight.Failure to do so may result in stripping the screw.

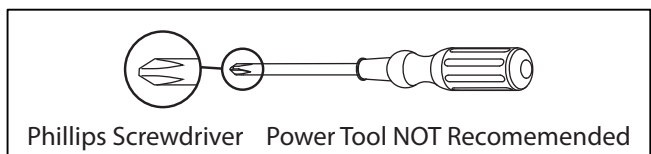


BOARD IDENTIFICATION



THE HARDWARE

A ×24+2(Spare)  Cam Bolt M6×25mm	B ×24+2(Spare)  Cam Lock Ø15×12mm	C ×28+2(Spare)  Wood Dowel Ø6×30mm	D ×8+1(Spare)  Screw Ø5×40mm	E ×16+2(Spare)  Screw Ø3×12mm
F ×20+2(Spare)  Backplane Buckle	G ×20+2(Spare)  Screw Ø3×14mm	H ×12+1(Spare)  Shelf support	I ×2  Locks the wall	J ×8  Screw Ø4×12mm
K ×4  Foot connector	L ×16+2(Spare)  Screw Ø4×16mm	M ×4  Slide rail	N ×4  Slide rail	O ×14+1(Spare)  Screw Ø4×30mm
P ×2  Wall Anchor	Q ×1  Hex key 4mm	R ×4  Cam Cover Ø20mm		



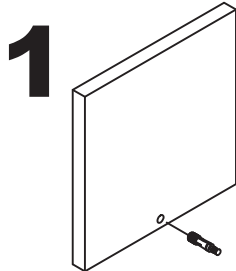
IMPORTANT :

1. Do not tighten bolts / screws completely until all bolts / screws are lined up and inserted into holes.
2. Do not over tighten screws and bolts to avoid stripping.
3. Please use hand tools to assemble this product. Do not use power tools.
4. Must need 2 people to assemble this product.



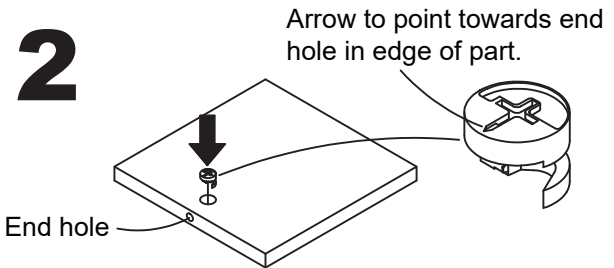
CAM LOCK FASTENING SYSTEM

This Cam Lock Fastening System will be used throughout the assembly process.



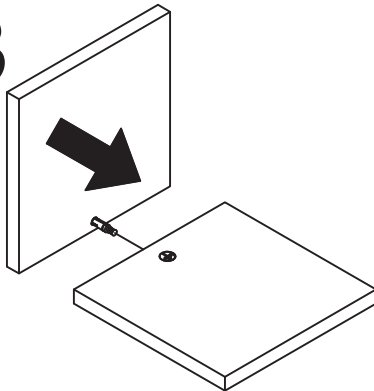
1
Press CAM BOLT into hole.

2



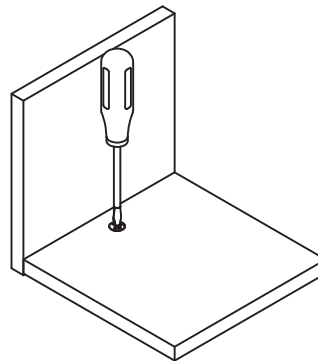
Press CAM LOCK into hole.

3

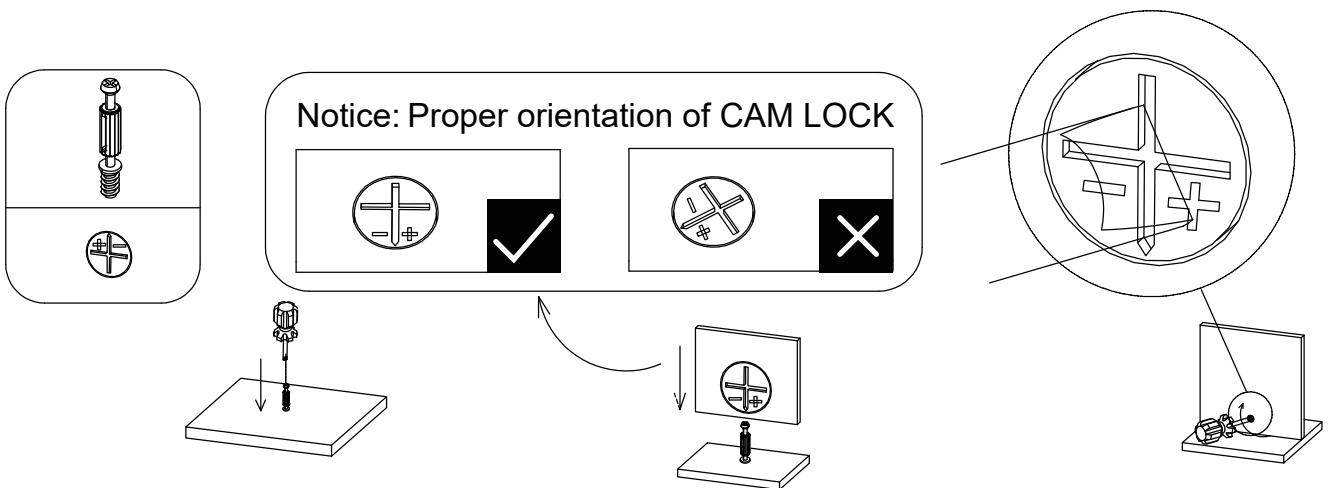


Press parts together so CAM BOLT inserts into edge hole.

4

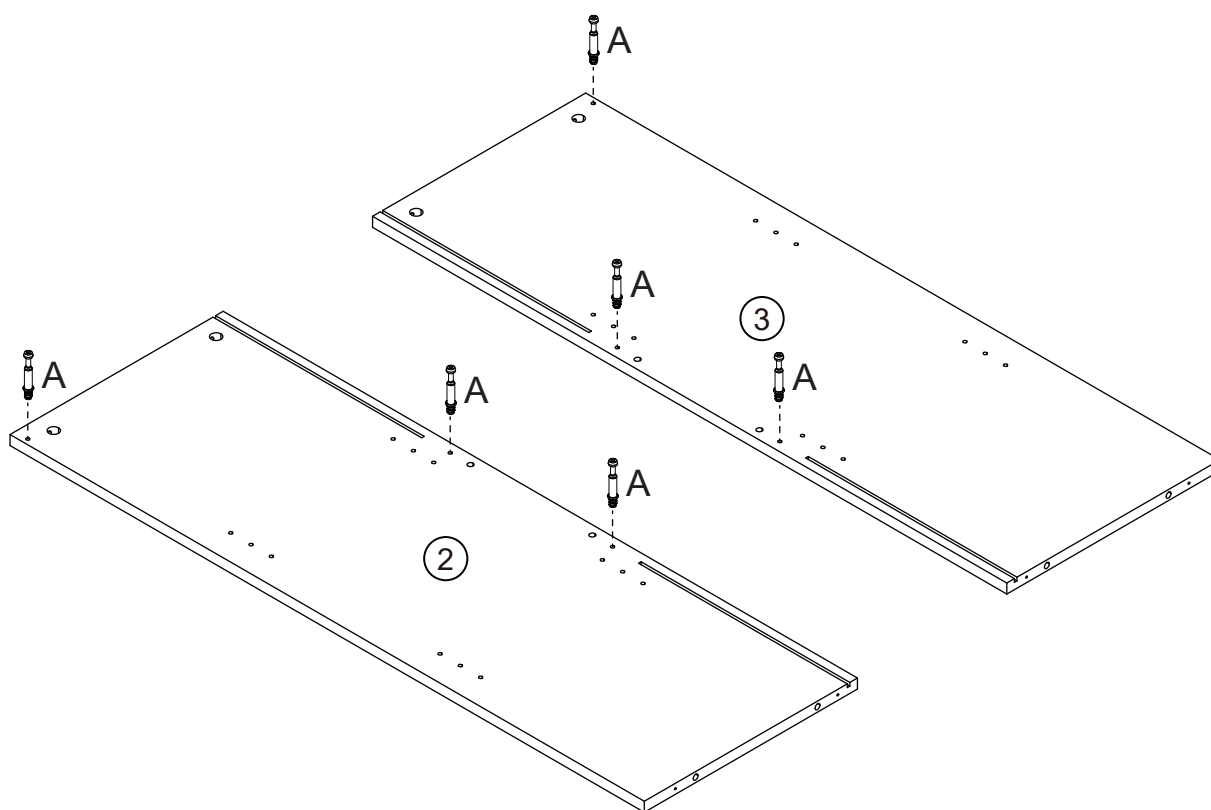
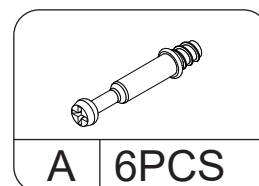


Using a screwdriver, turn the CAM LOCK clockwise to lock the CAM LOCK and CAM BOLT into their holes and fastening parts together.



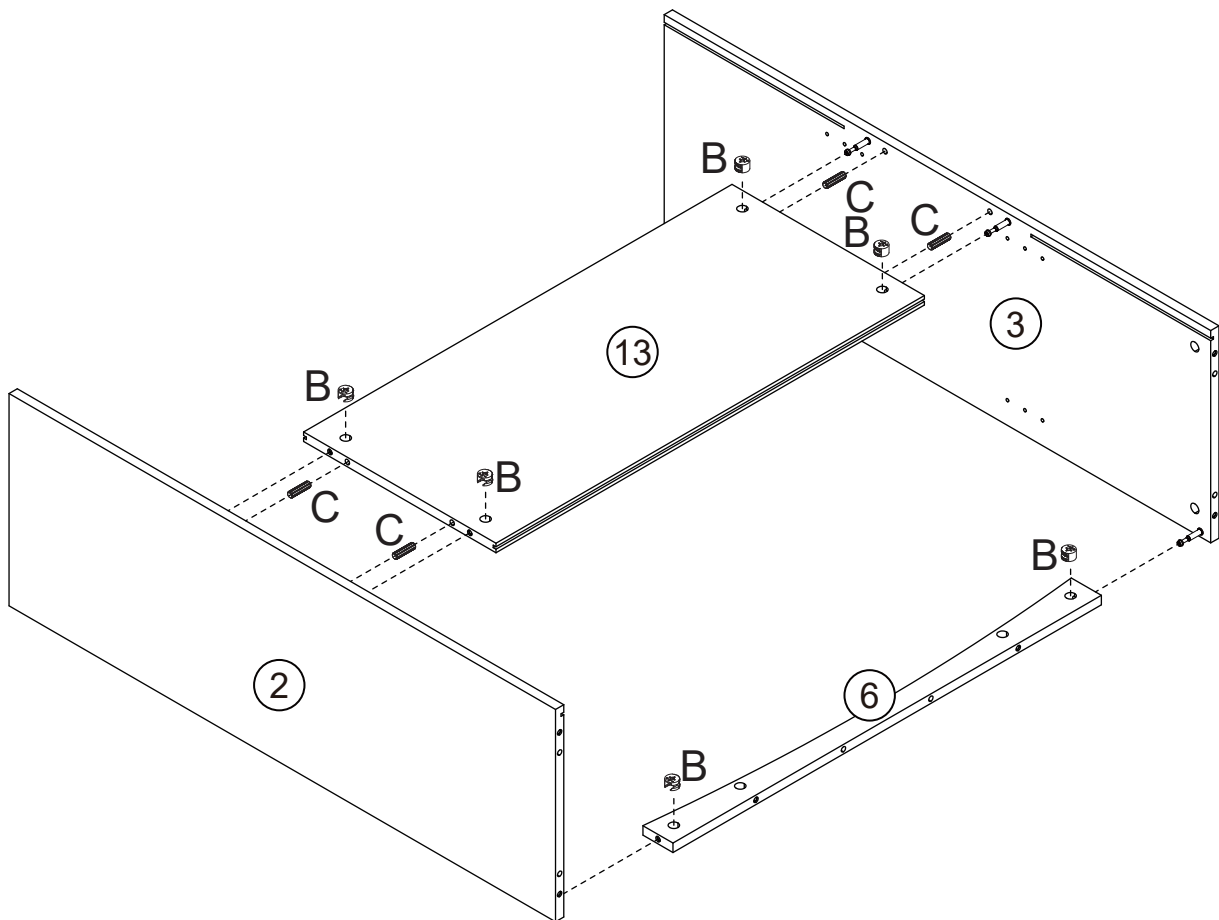
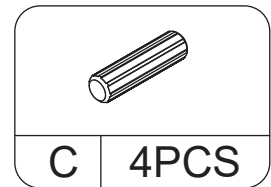
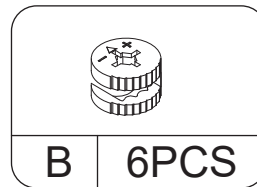
INSTALLATION STEPS

 STEP 1



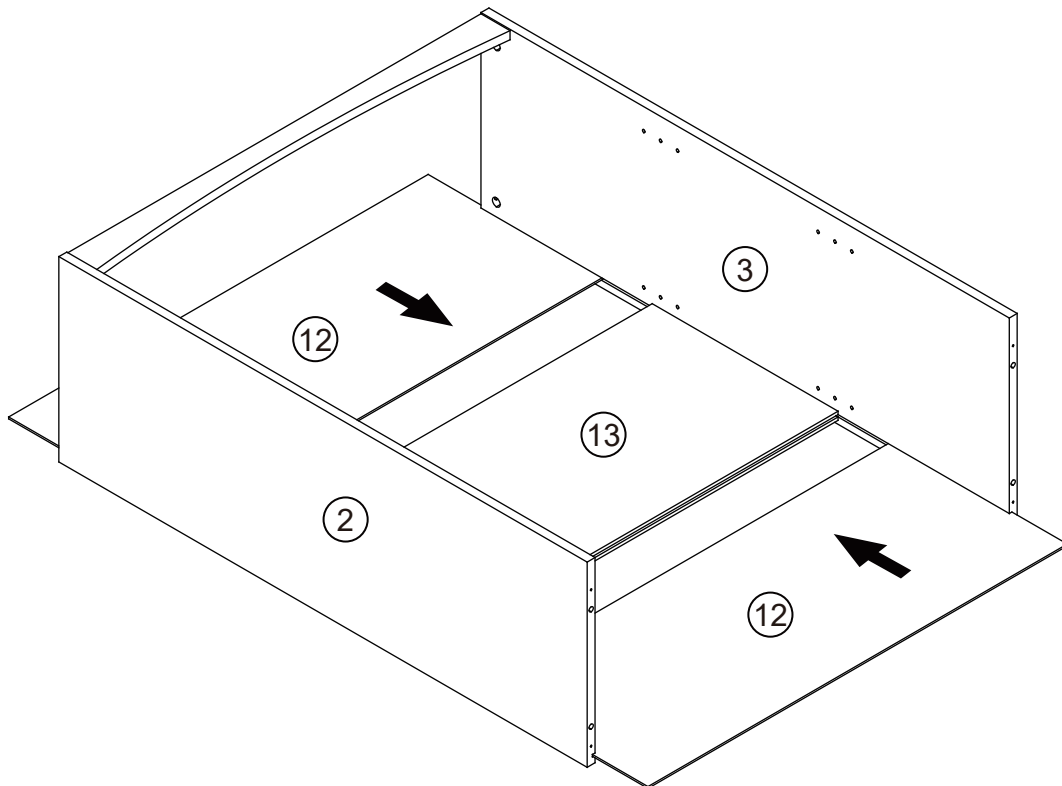
INSTALLATION STEPS

 STEP 2



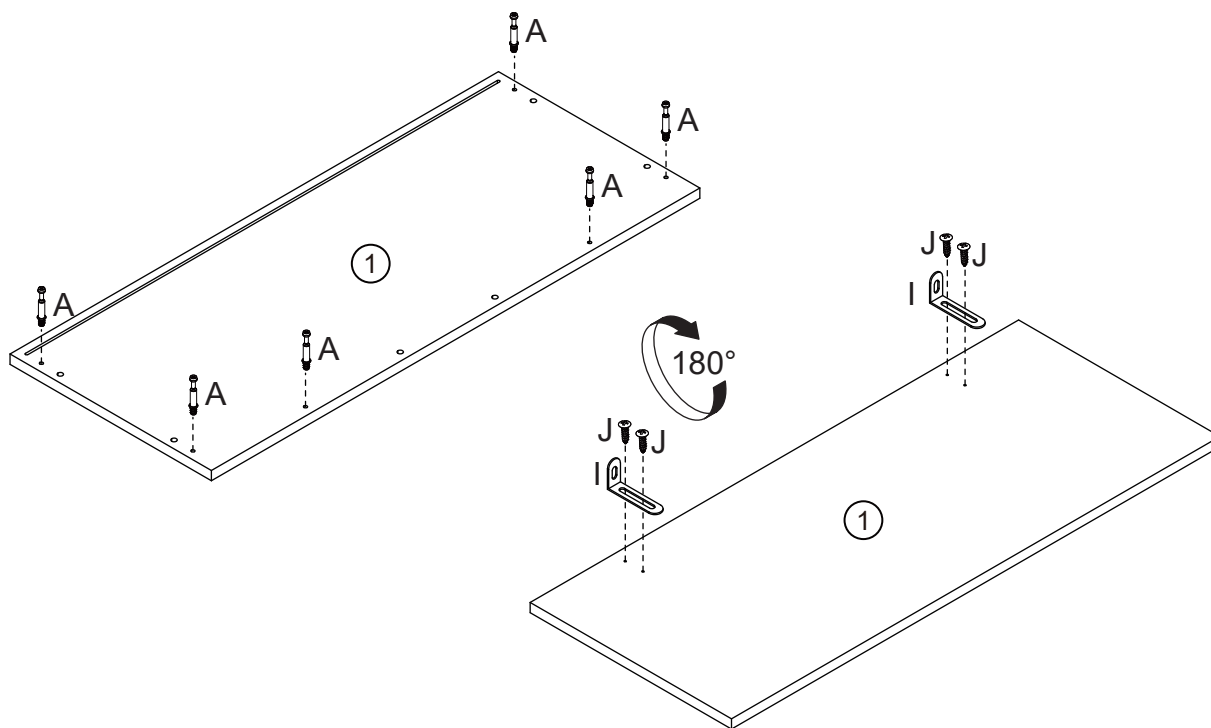
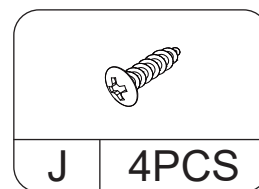
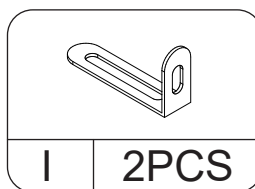
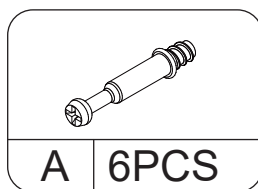
INSTALLATION STEPS

 **STEP 3**



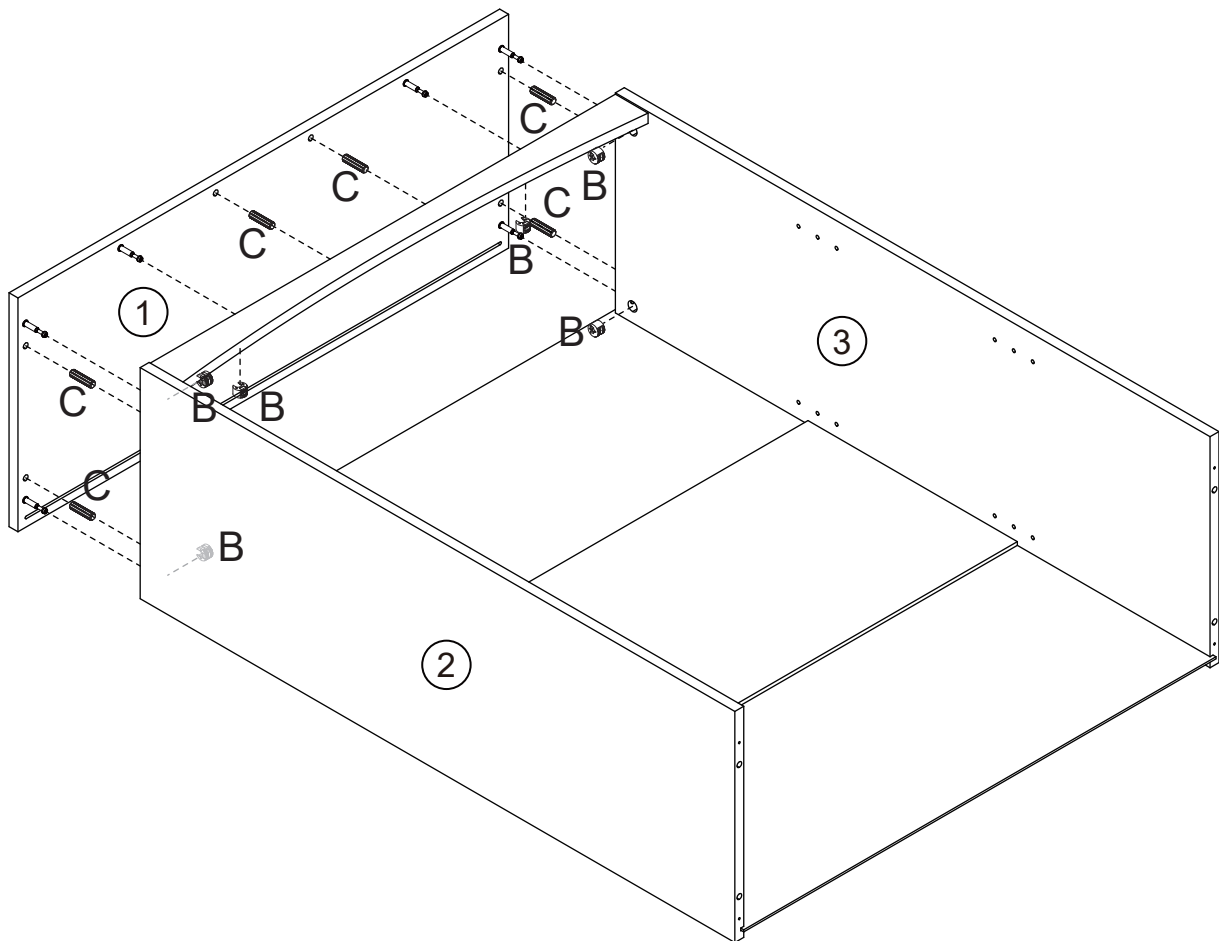
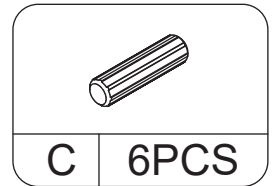
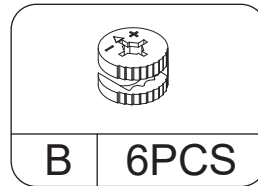
INSTALLATION STEPS

 **STEP 4**



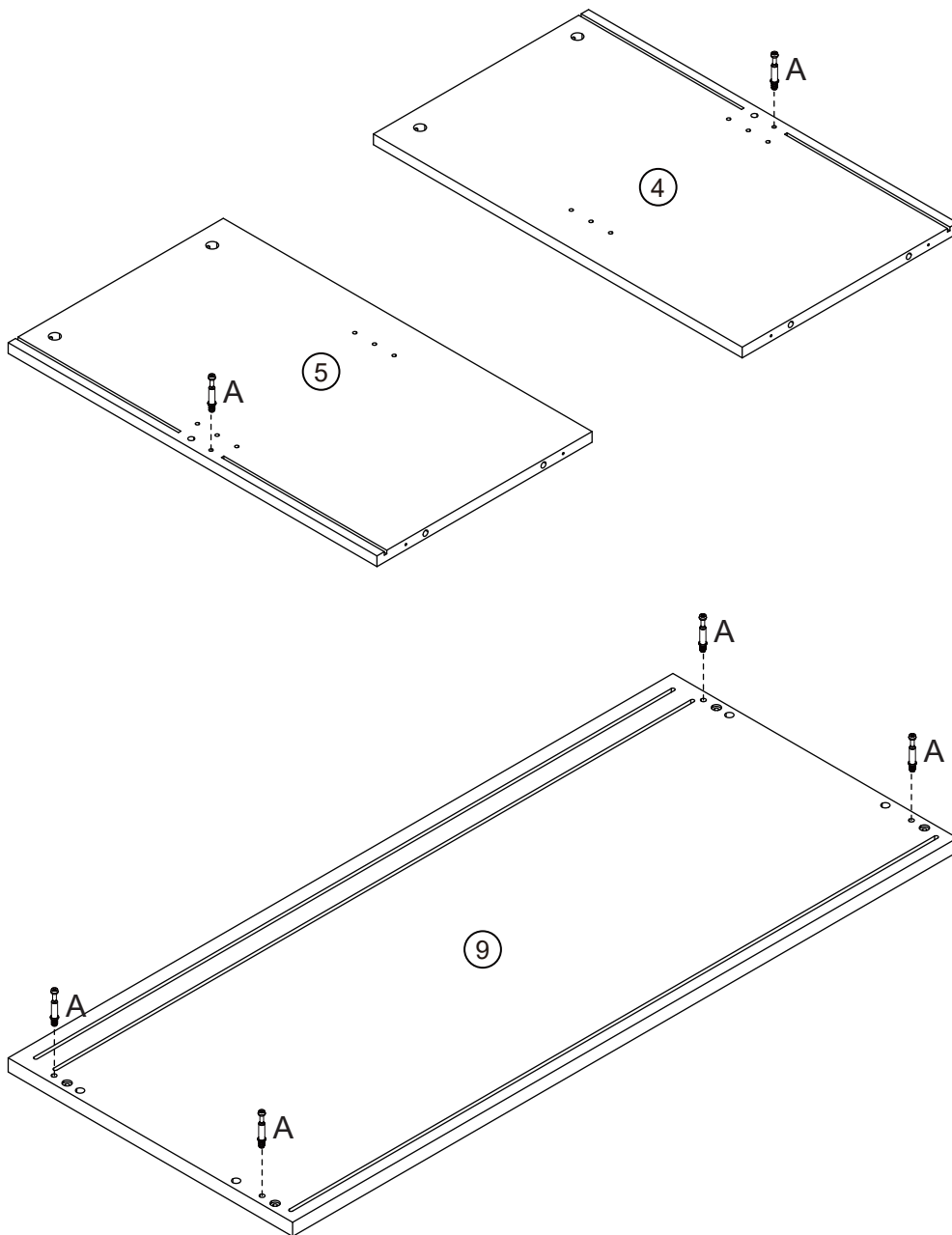
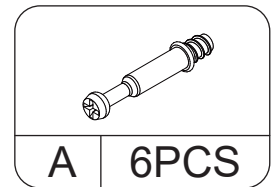
INSTALLATION STEPS

 **STEP 5**



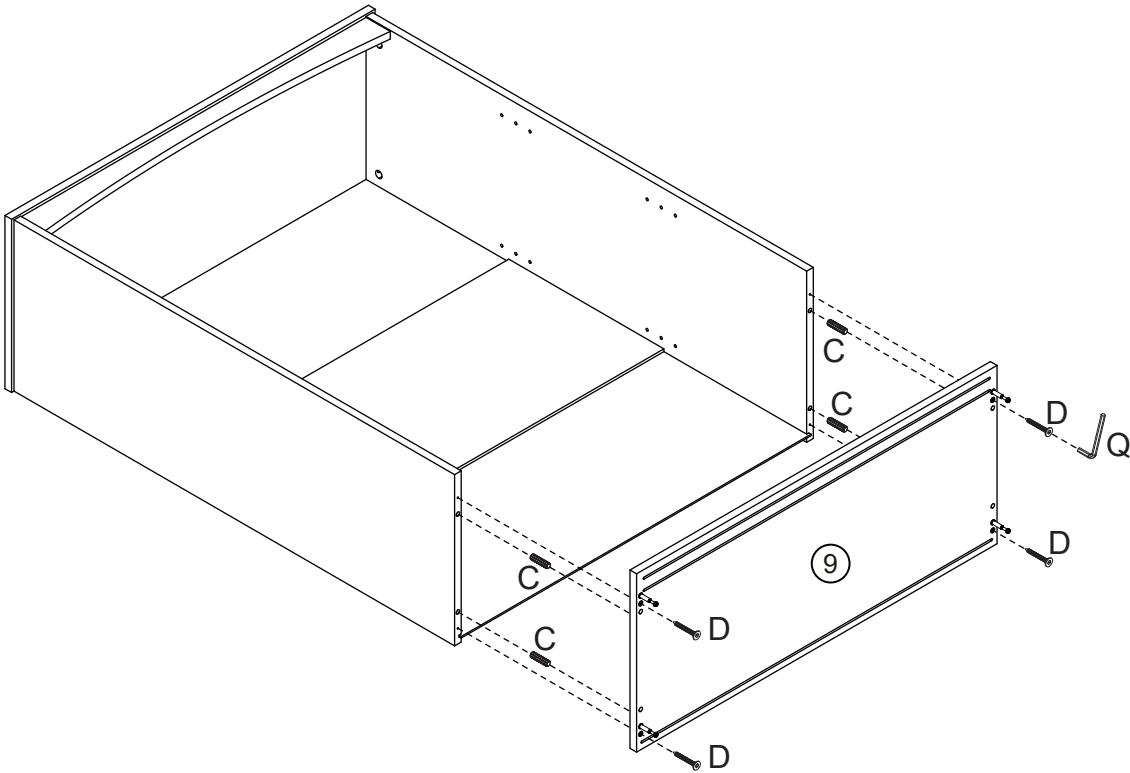
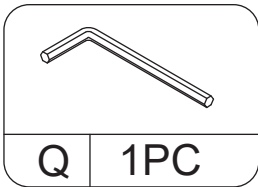
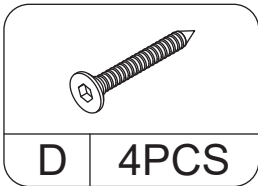
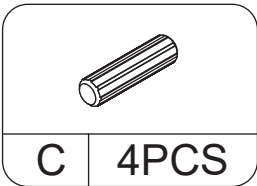
INSTALLATION STEPS

 STEP 6



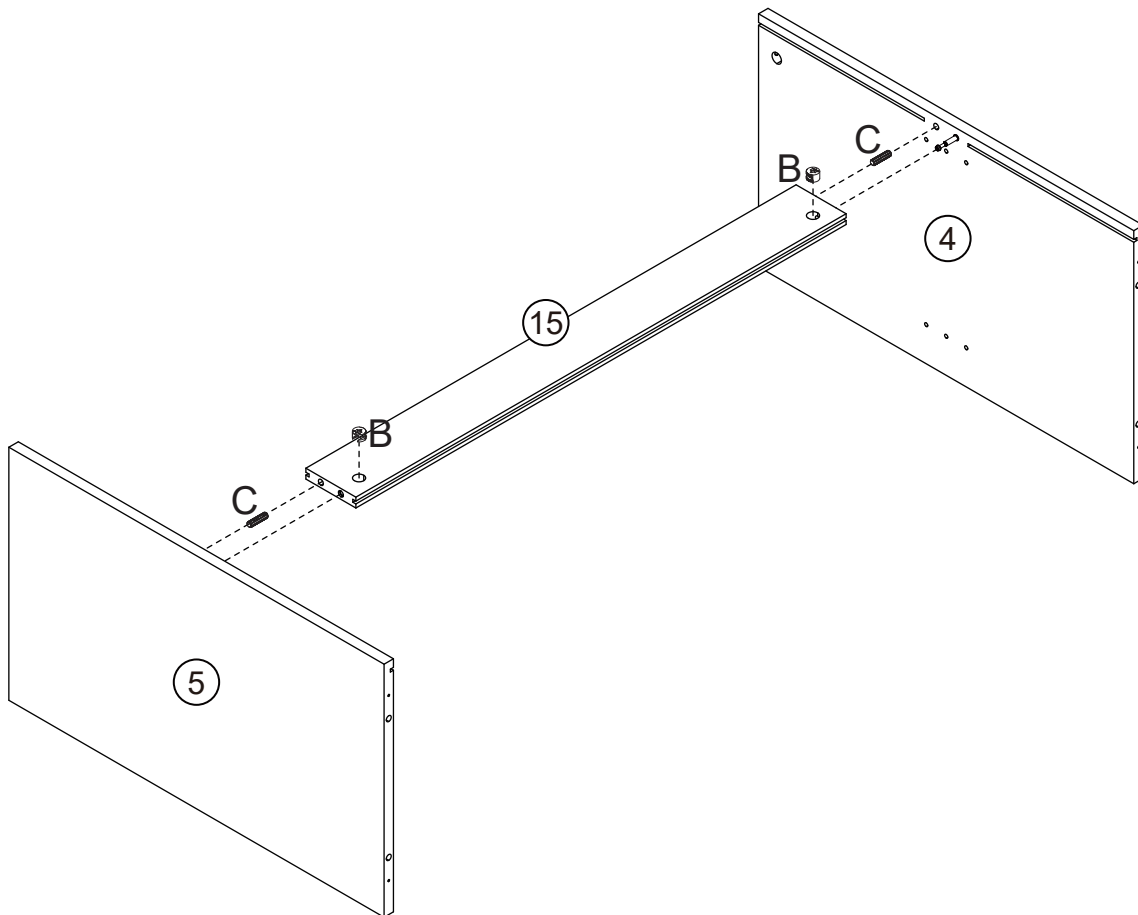
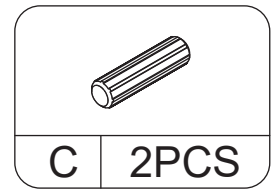
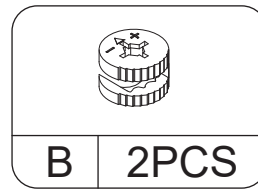
INSTALLATION STEPS

 STEP 7



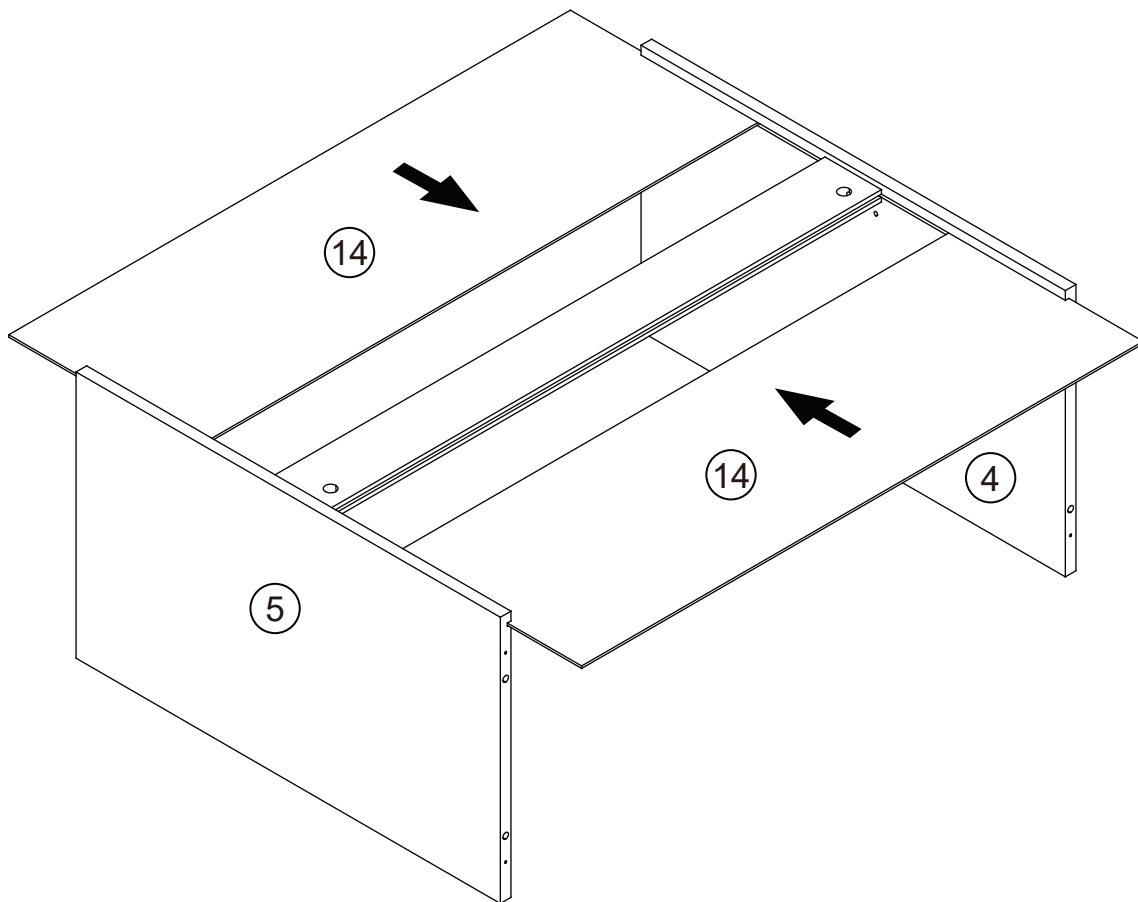
INSTALLATION STEPS

 **STEP 8**



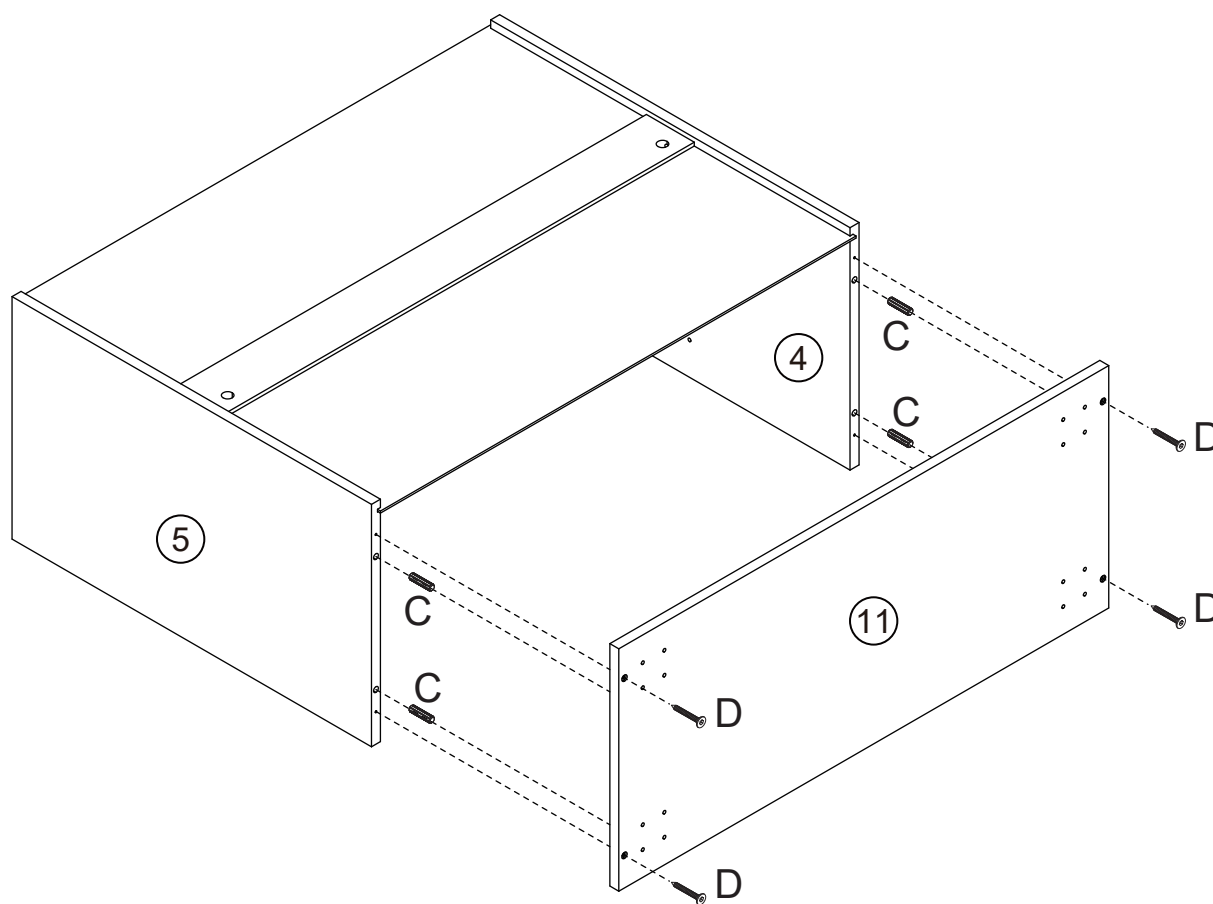
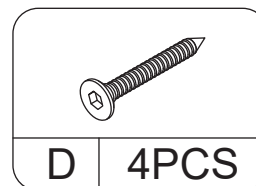
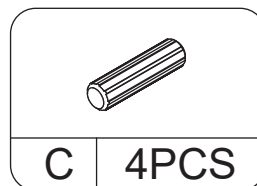
INSTALLATION STEPS

 **STEP 9**



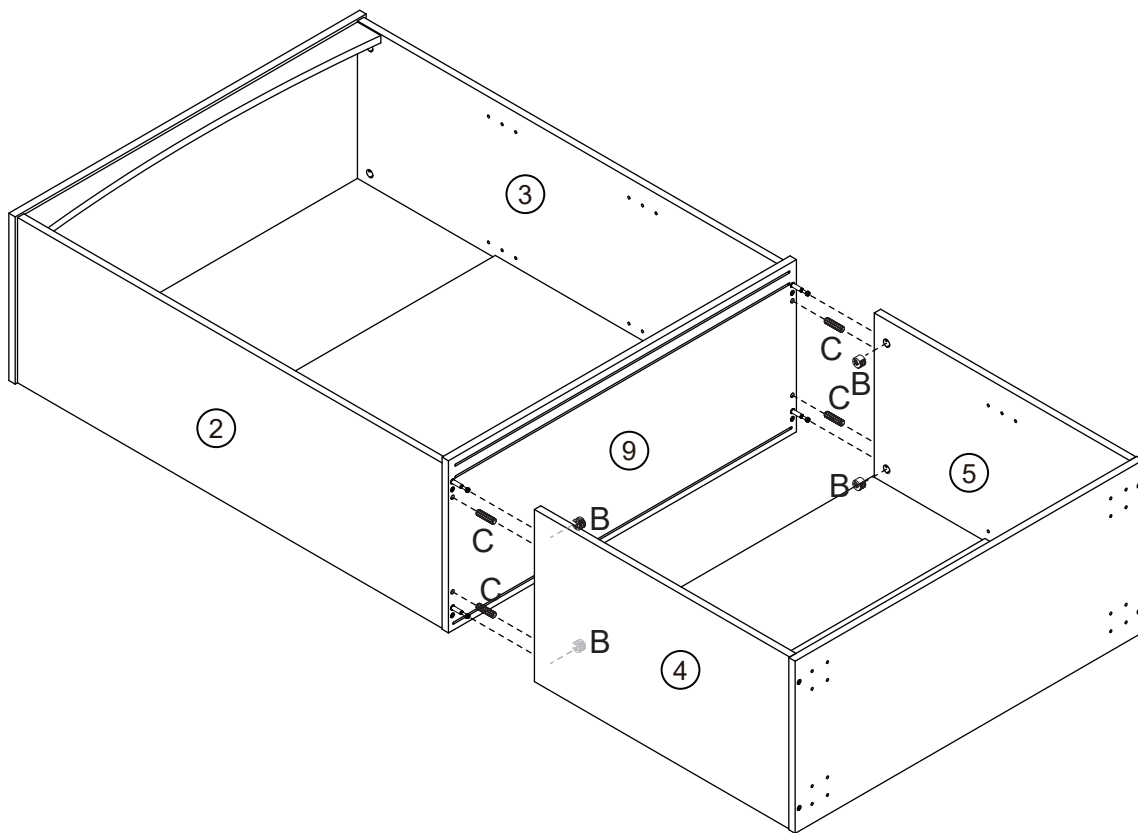
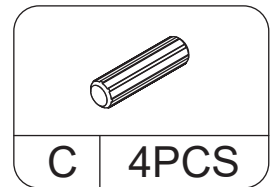
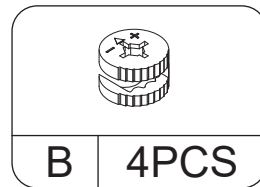
INSTALLATION STEPS

STEP 10



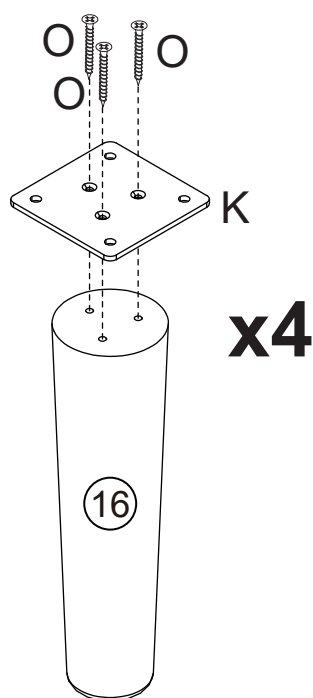
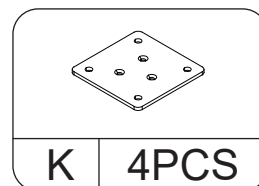
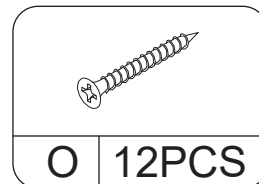
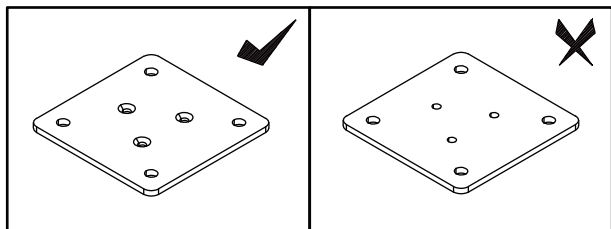
INSTALLATION STEPS

 **STEP 11**



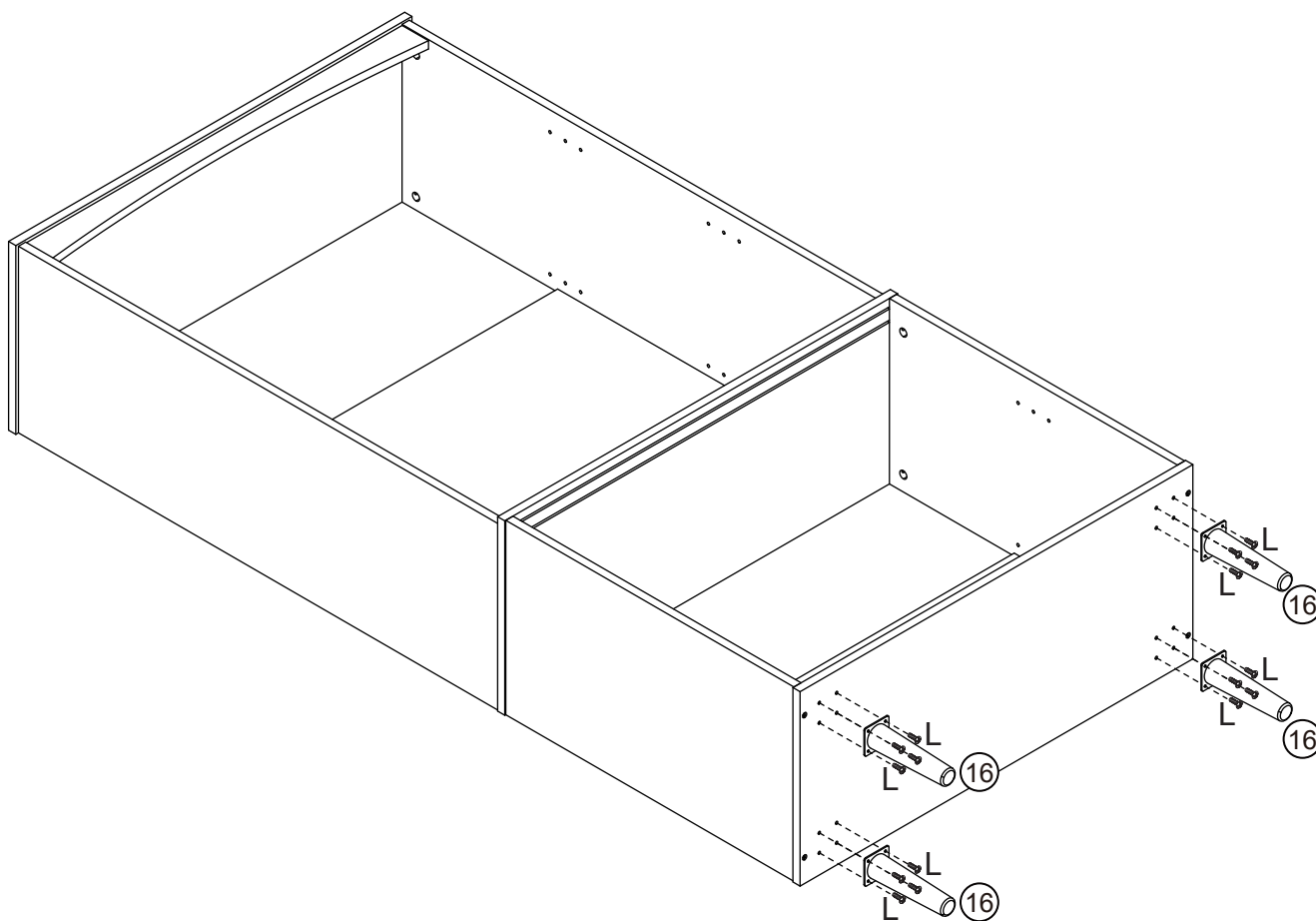
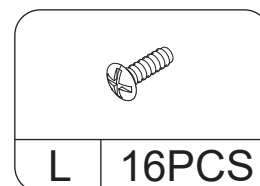
INSTALLATION STEPS

 STEP 12



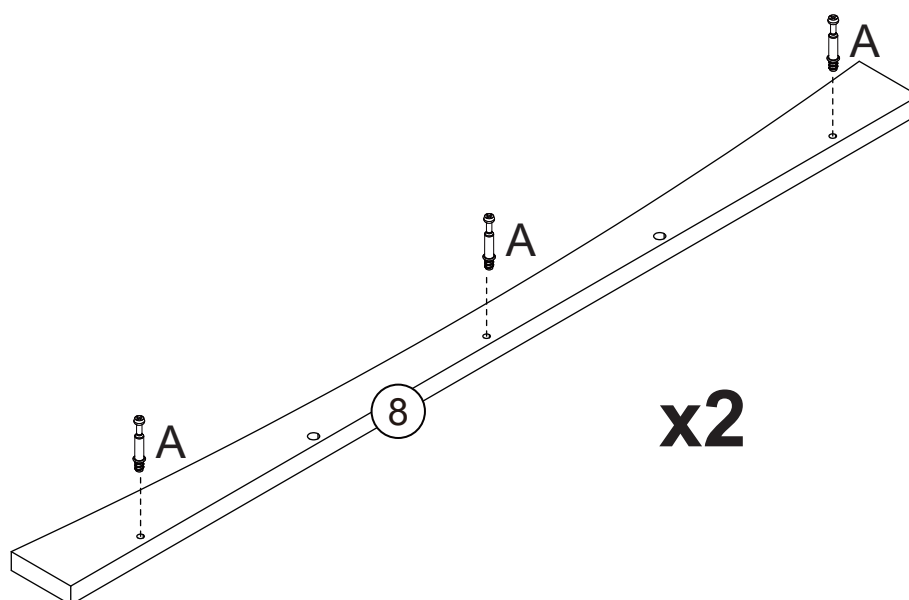
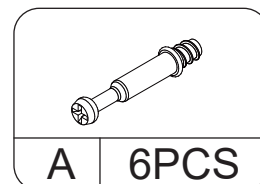
INSTALLATION STEPS

 **STEP 13**



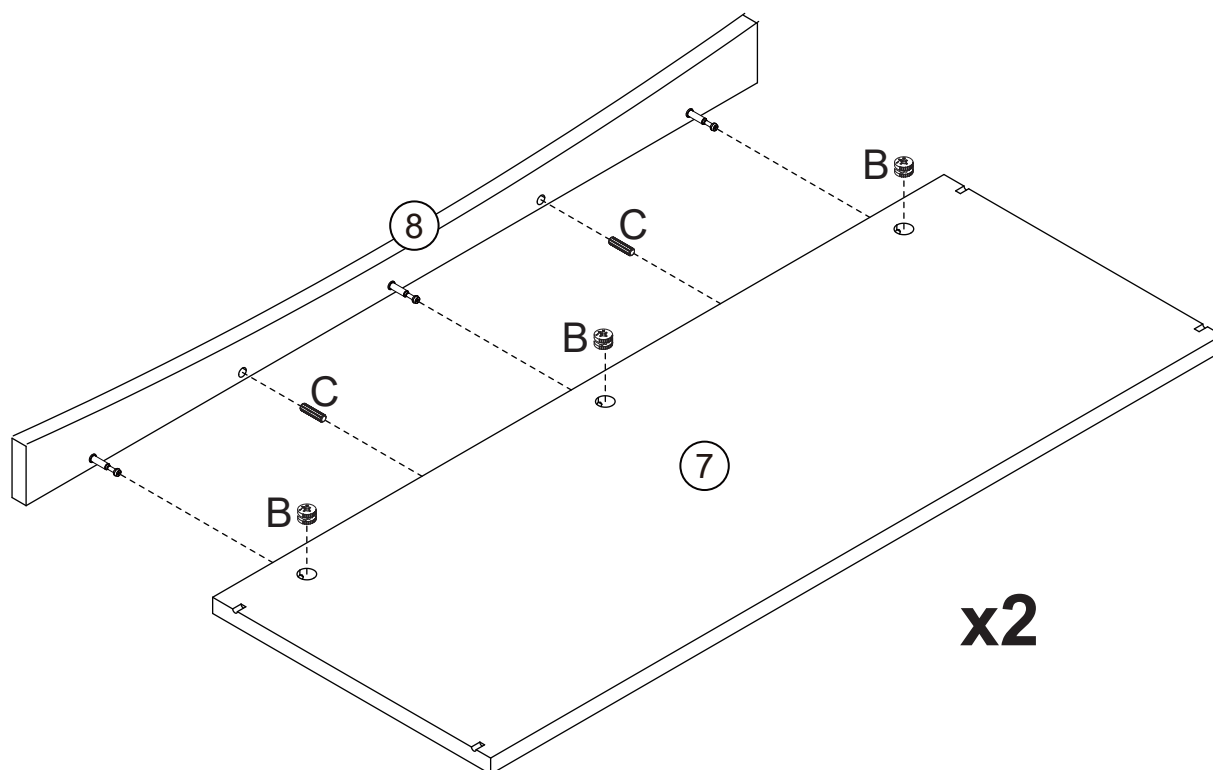
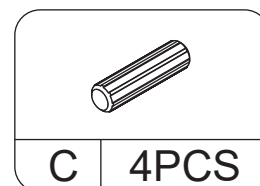
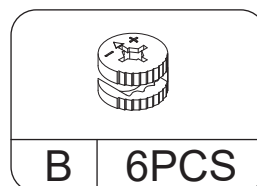
INSTALLATION STEPS

 STEP 14



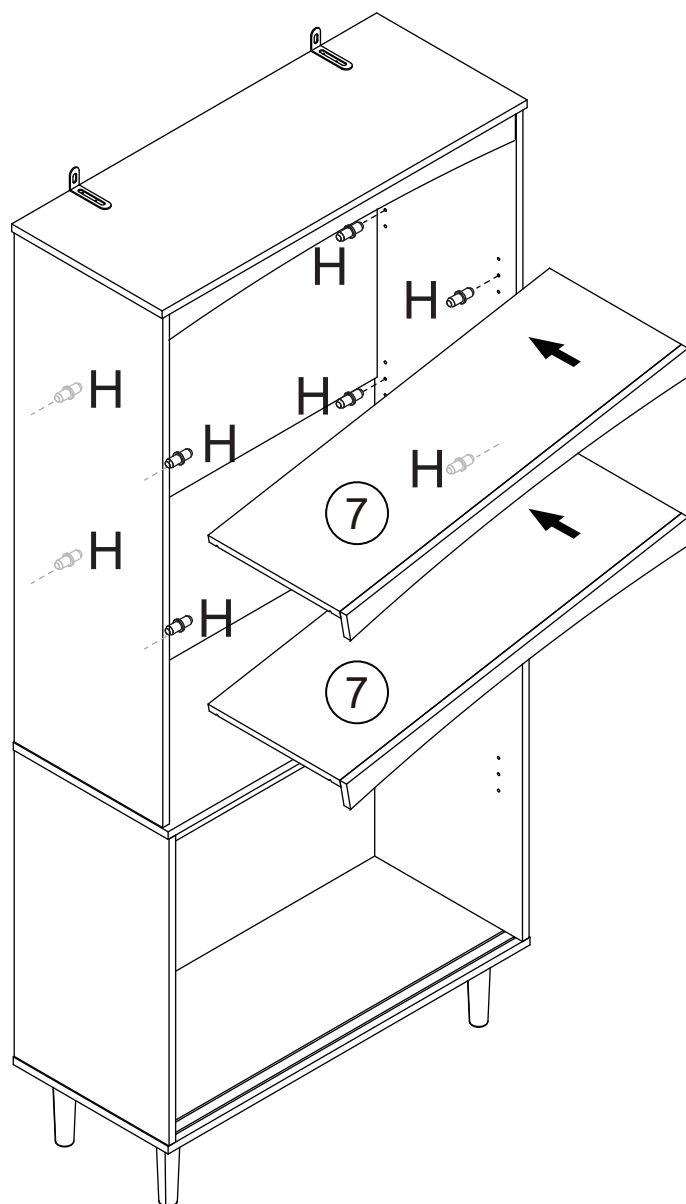
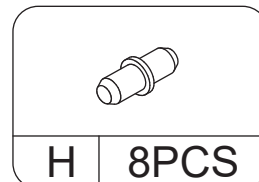
INSTALLATION STEPS

 STEP 15



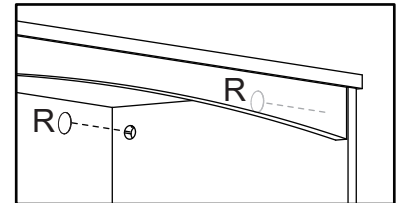
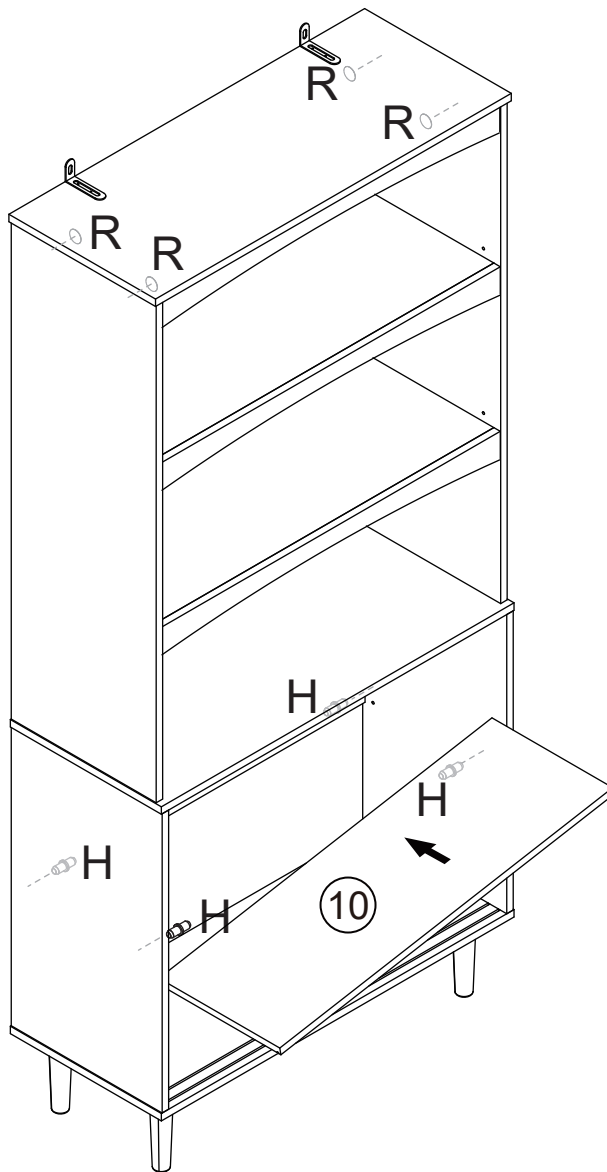
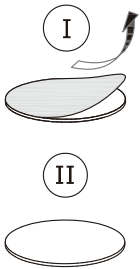
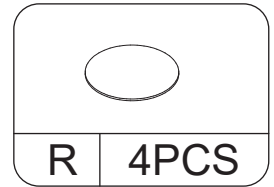
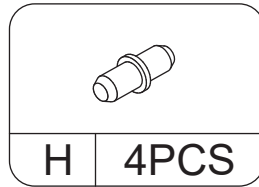
INSTALLATION STEPS

 STEP 16



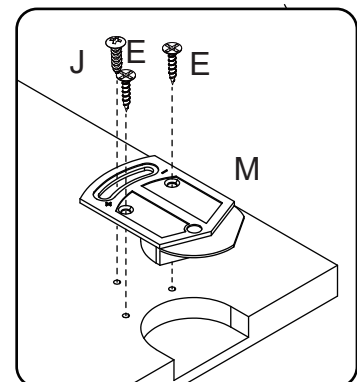
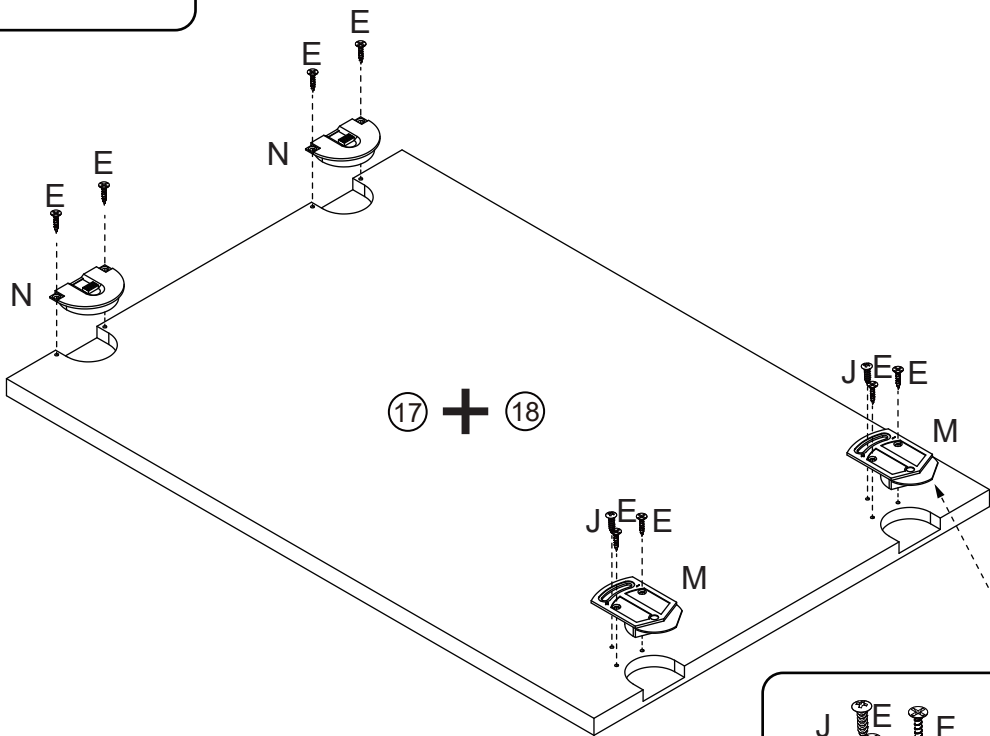
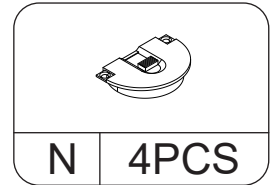
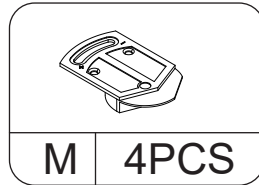
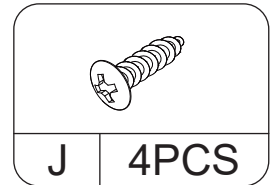
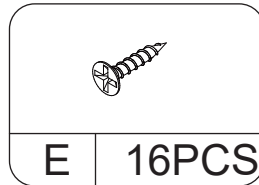
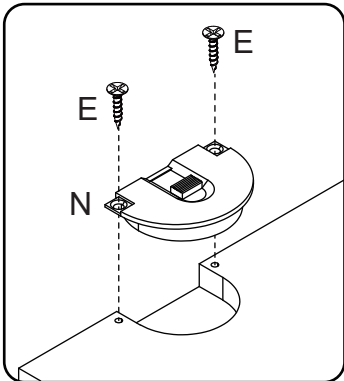
INSTALLATION STEPS

STEP 17



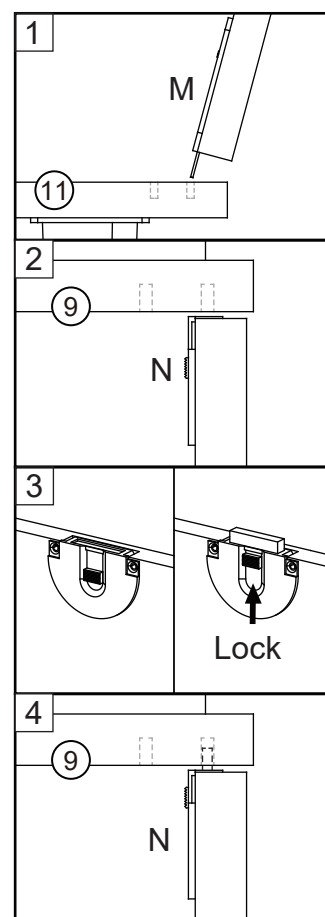
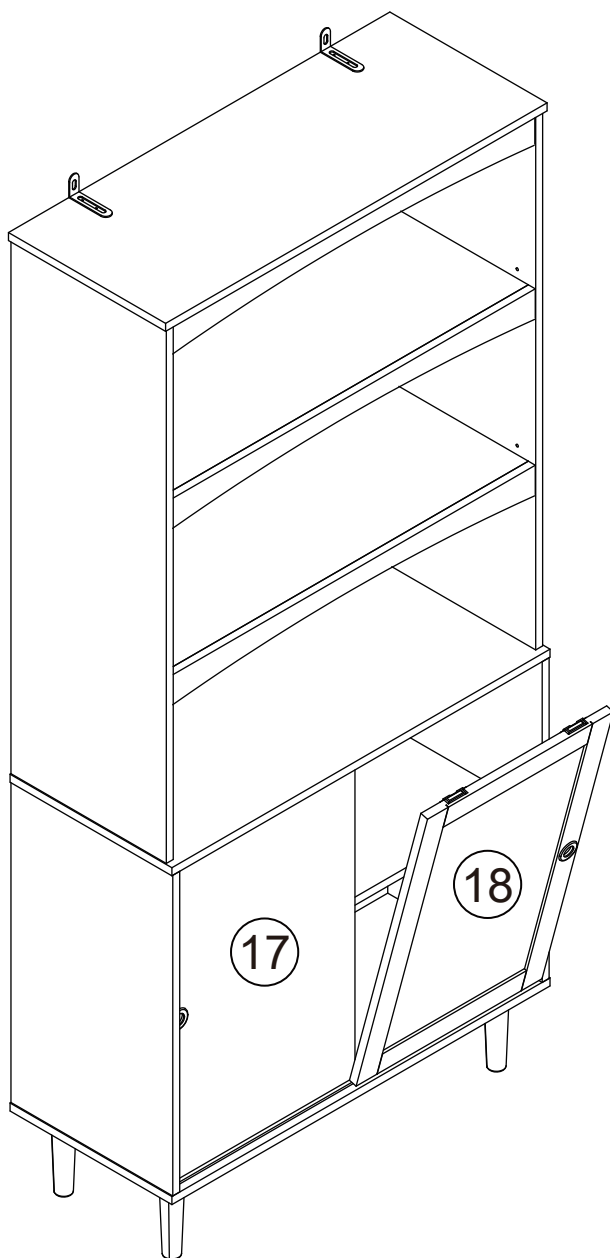
INSTALLATION STEPS

STEP 18



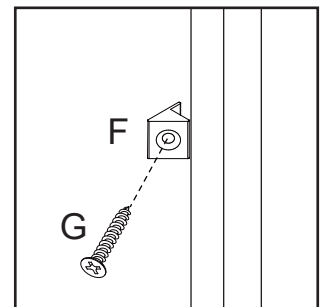
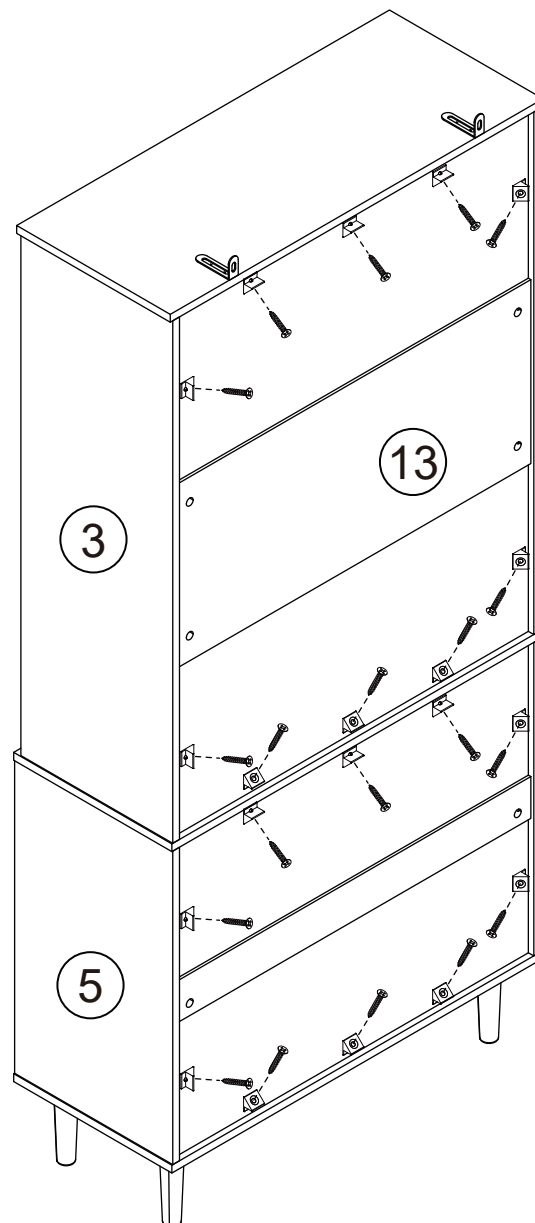
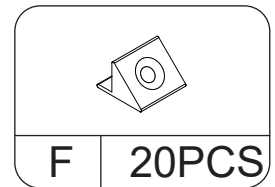
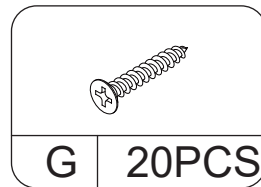
INSTALLATION STEPS

 STEP 19



INSTALLATION STEPS

 STEP 20



INSTALLATION STEPS

 **STEP 21**

