

THIS INSTRUCTION BOOKLET CONTAINS IMPORTANT SAFETY INFORMATION. PLEASE READ AND KEEP FOR FUTURE REFERENCE.

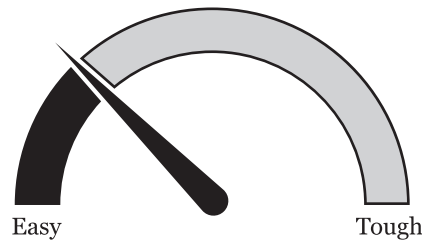
Do Not Return This Product!

Contact our customer service team
for help first.



WARNING

- Unit can tip over causing severe injury or death.
- Anchor unit to stud in wall (if instructed to)
- Do Not allow children to climb on unit.
- put heavy items on lower shelves or drawers.



Assembly Difficulty Meter



CONTACT US!

Do NOT return this product!

Contact our friendly customer service team first for help.

Assembly Tips



HELPFUL HINTS

PEOPLE NEEDED FOR ASSEMBLY:2
ESTIMATED ASSEMBLY TIME:1 HOUR

- Open your item in the area you plan to keep it to avoid excessive heavy lifting.
- Identify,sort and count the parts before attempting assembly.
- Back panel must be used to make sure your unit is sturdy.
- Do NOT use harsh chemicals or abrasive cleaners on this item.
- Never push,pull,or drag your furniture.

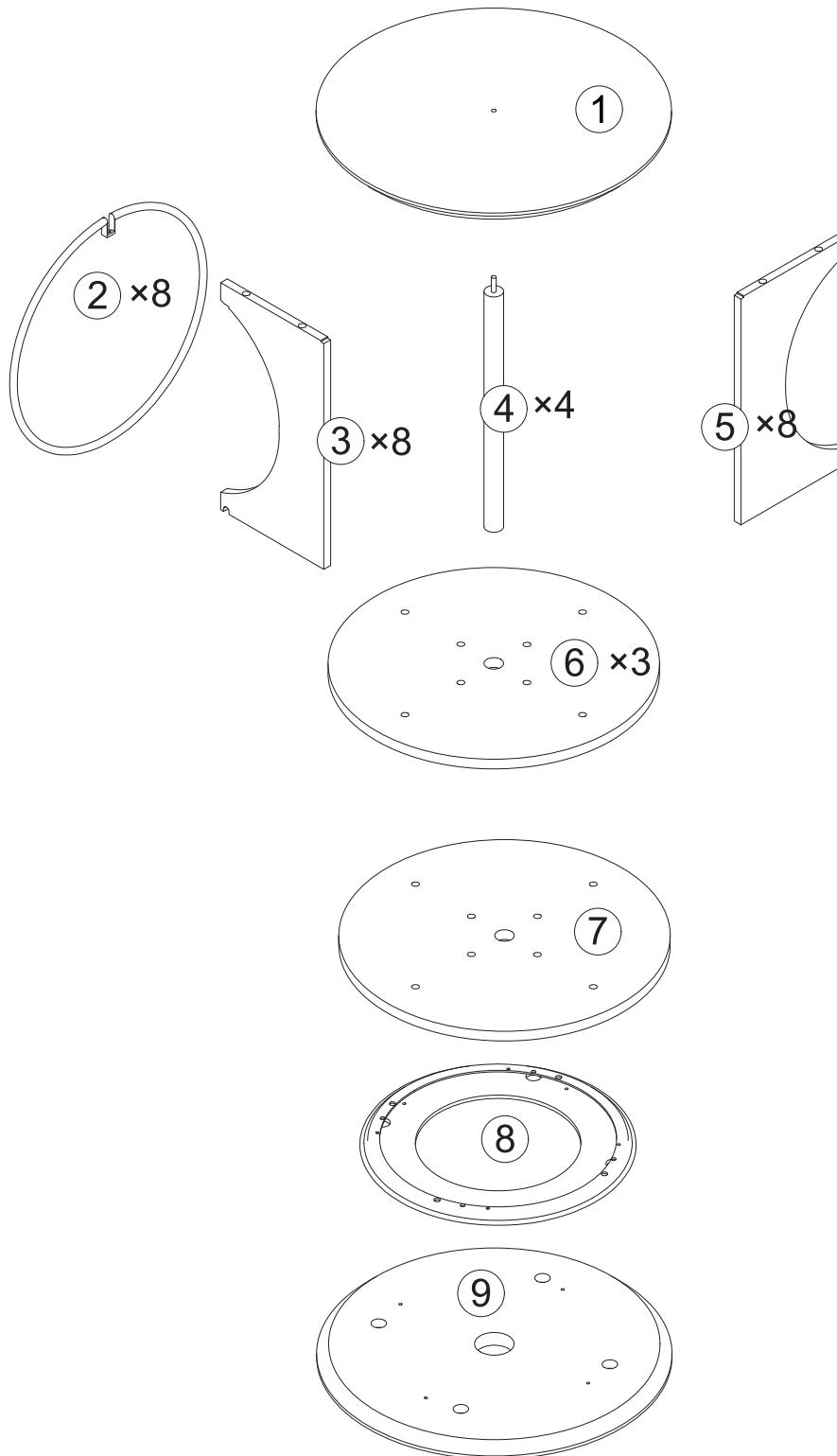


BEFORE YOU START

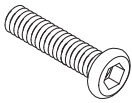
- Read through each step carefully and follow the proper order
- Separate and count all your parts and hardware
- Give yourself enough room for the assembly process
- Have the following tools:Flat Head Screwdriver,#2 Phillips Head Screwdriver and Hammer
- Caution: IF using a power drill or power screwdriver for screwing,please be aware to slow down and stop when screw is tight.Failure to do so may result in stripping the screw.





BOARD IDENTIFICATION




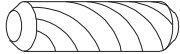
THE HARDWARES

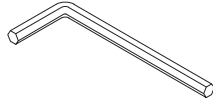
| | |
|---|----|
| A | x1 |
|  | |
| Bolt M8x25mm | |

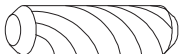
| | |
|---|----|
| B | x5 |
|  | |
| Washer | |

| | |
|---|-------------|
| C | x8+1(Spare) |
|  | |
| Screw M3.5x14mm | |

| | |
|--|-------------|
| D | x8+1(Spare) |
|  | |
| Screw M3x16mm | |

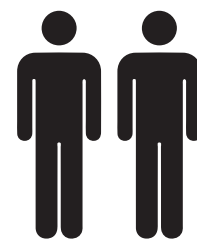
| | |
|--|--------------|
| E | x24+2(Spare) |
|  | |
| Wood dowel Ø6x40mm | |

| | |
|--|----|
| F | x1 |
|  | |
| Hex key | |

| | |
|---|--------------|
| G | x16+1(Spare) |
|  | |
| Wood dowel Ø6x25mm | |

IMPORTANT :

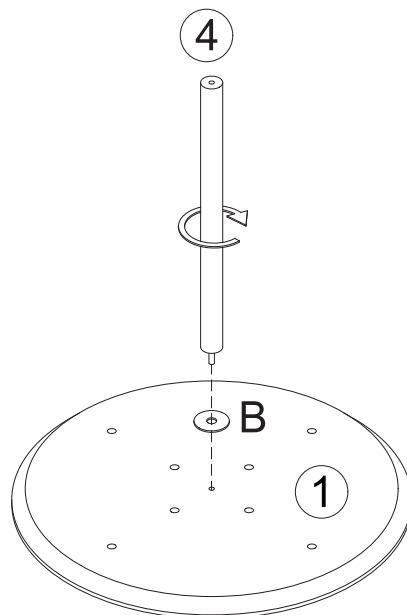
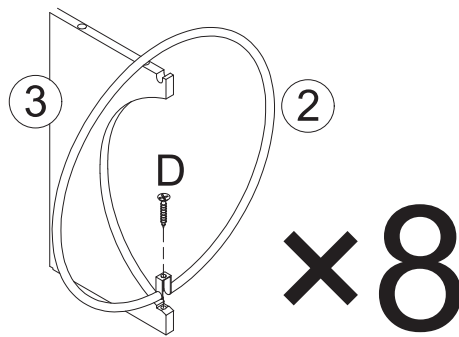
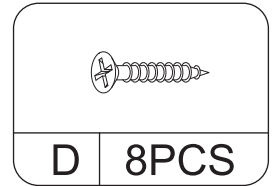
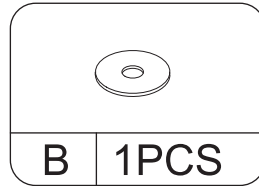
1. Do not tighten bolts / screws completely until all bolts / screws are lined up and inserted into holes.
2. Do not over tighten screws and bolts to avoid stripping.
3. Please use hand tools to assemble this product. Do not use power tools.
4. Must need 2 people to assemble this product.



2 PERSONS


INSTALLATION STEPS

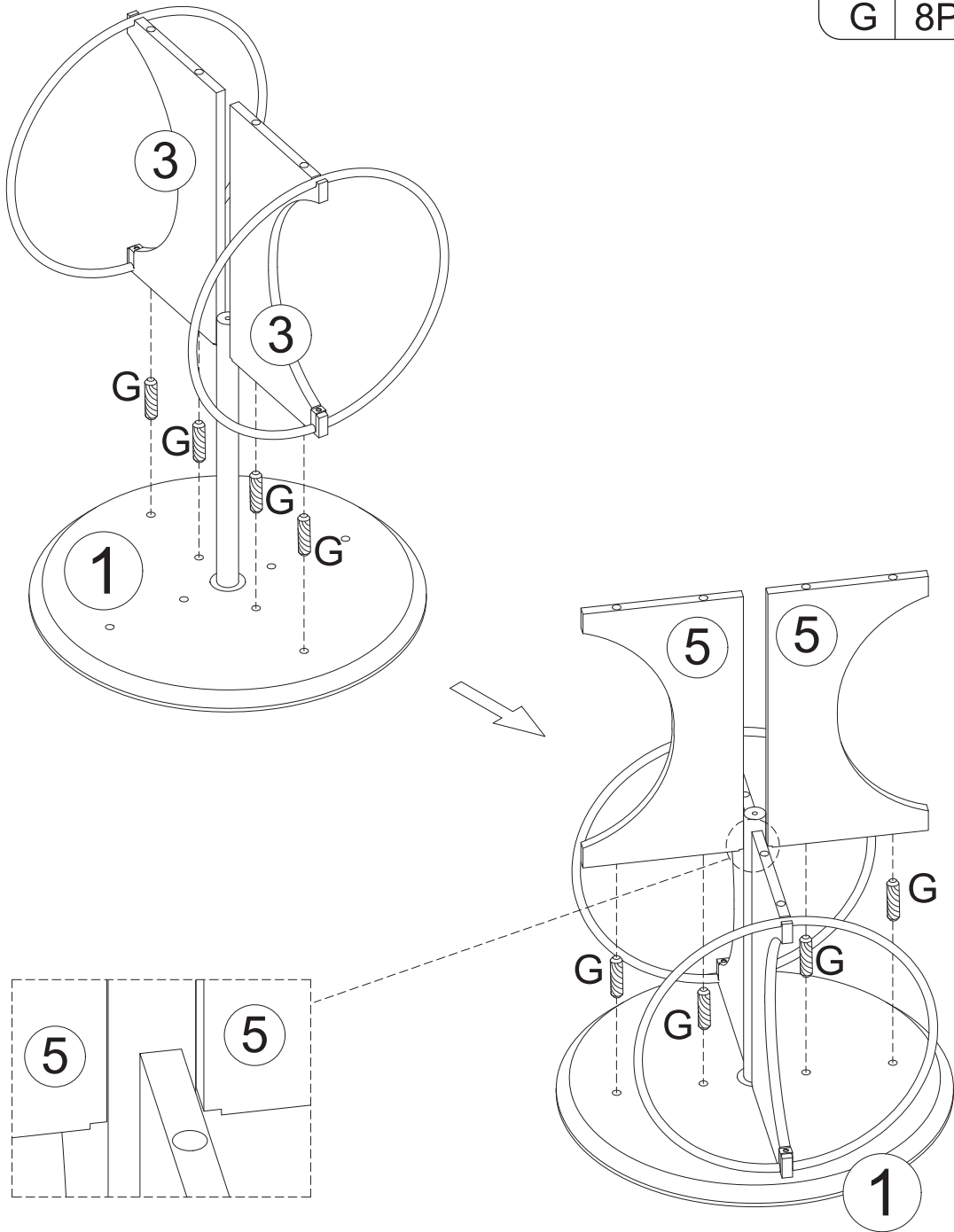
 **STEP 1**



INSTALLATION STEPS


 STEP 2

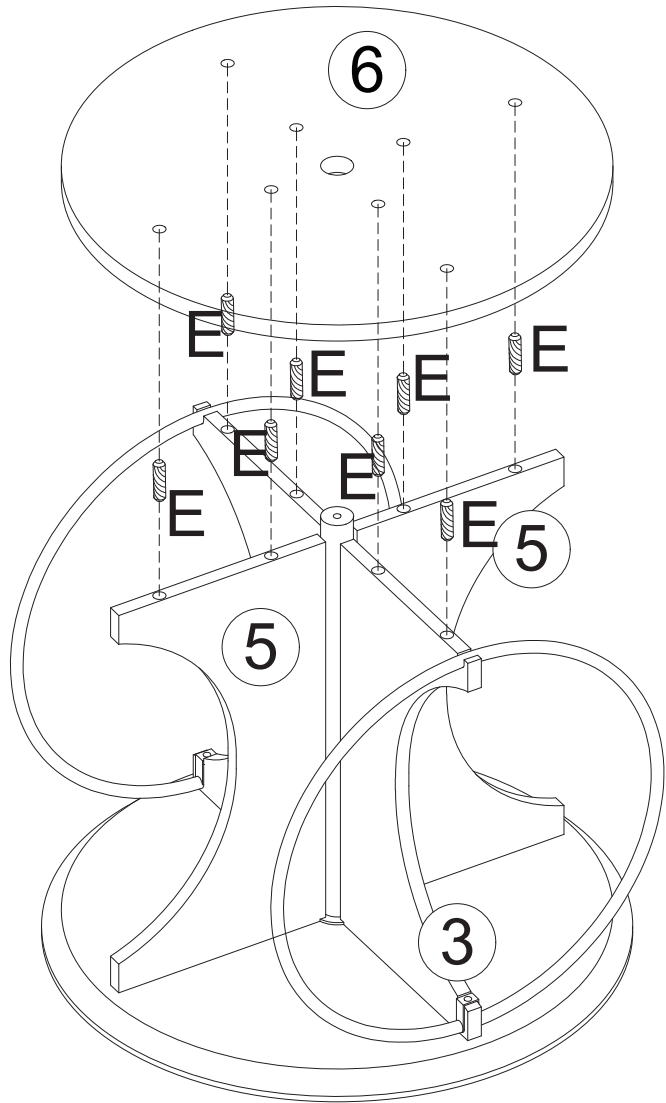
| | |
|---|------|
|  | |
| G | 8PCS |



INSTALLATION STEPS

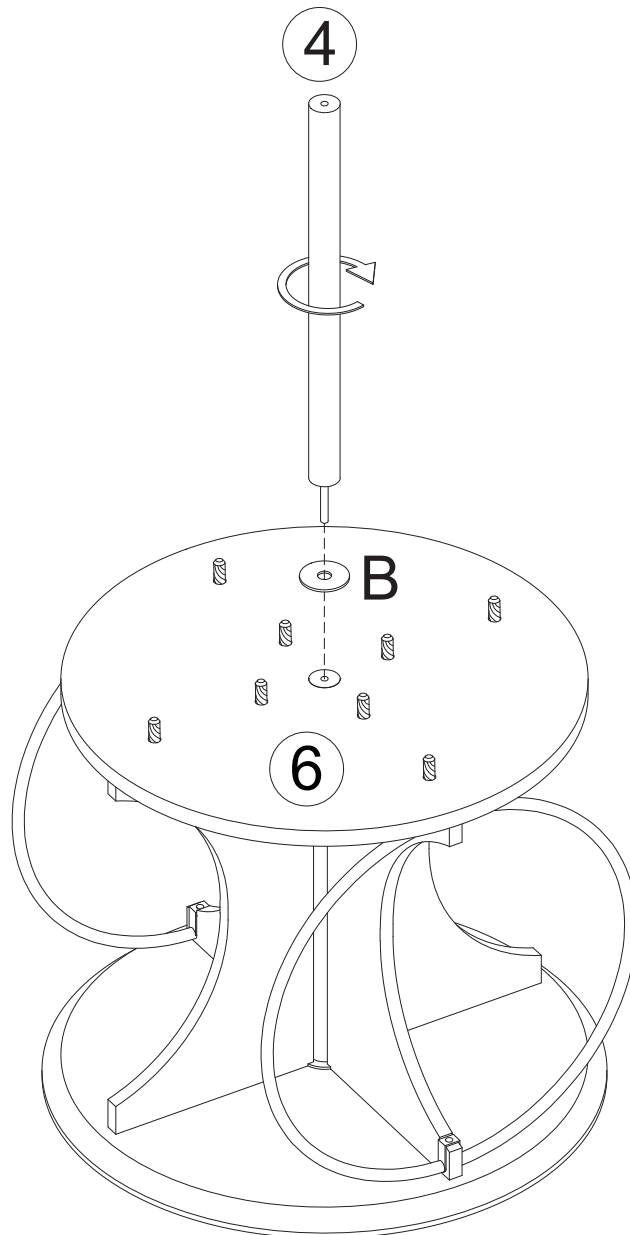
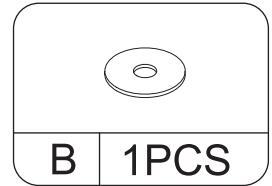
 **STEP 3**

| | |
|---|------|
|  | |
| E | 8PCS |



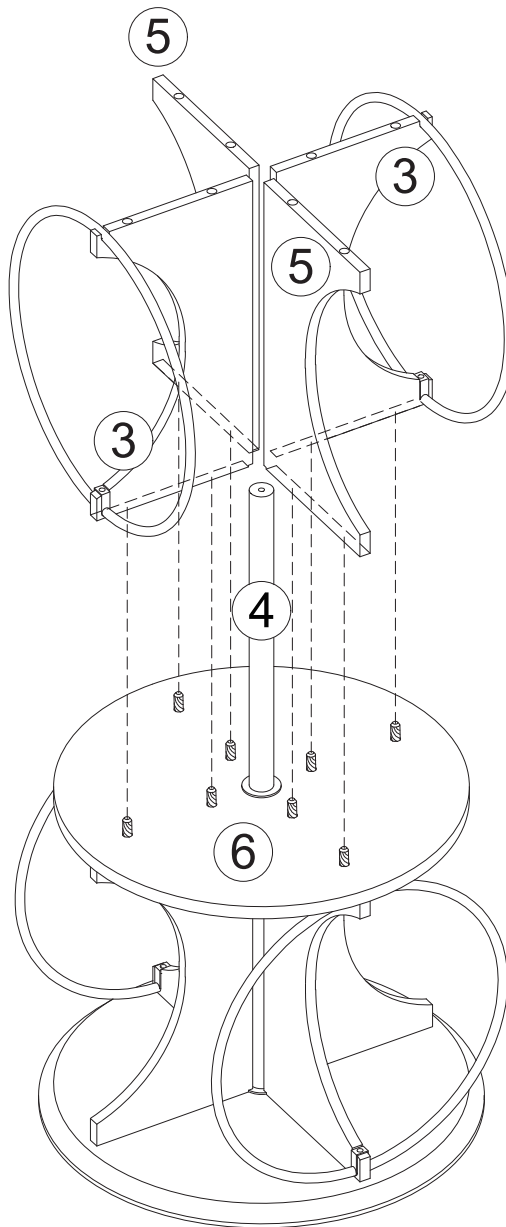
INSTALLATION STEPS

 **STEP 4**



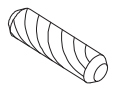
INSTALLATION STEPS

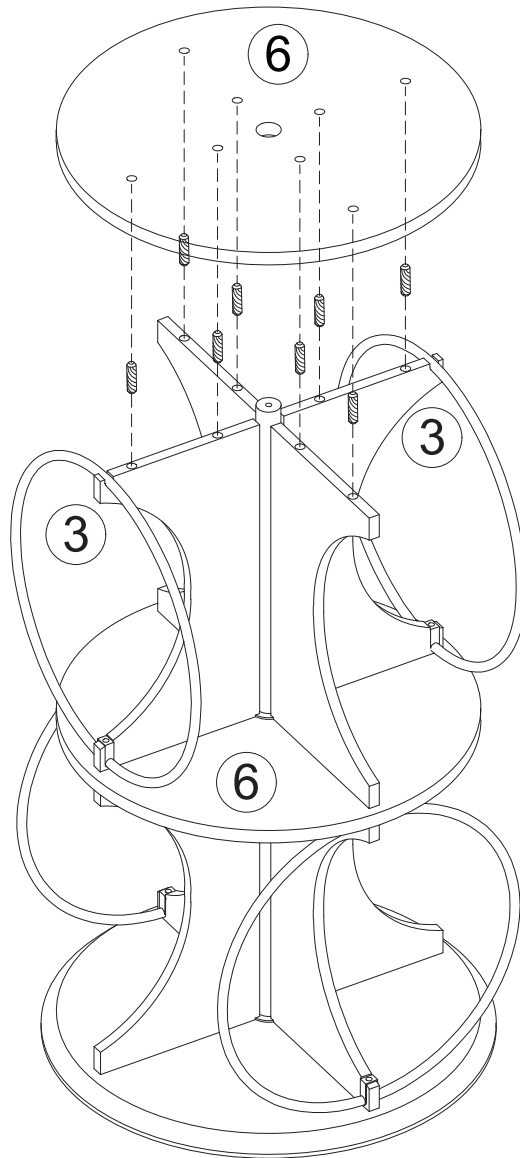
 **STEP 5**



INSTALLATION STEPS

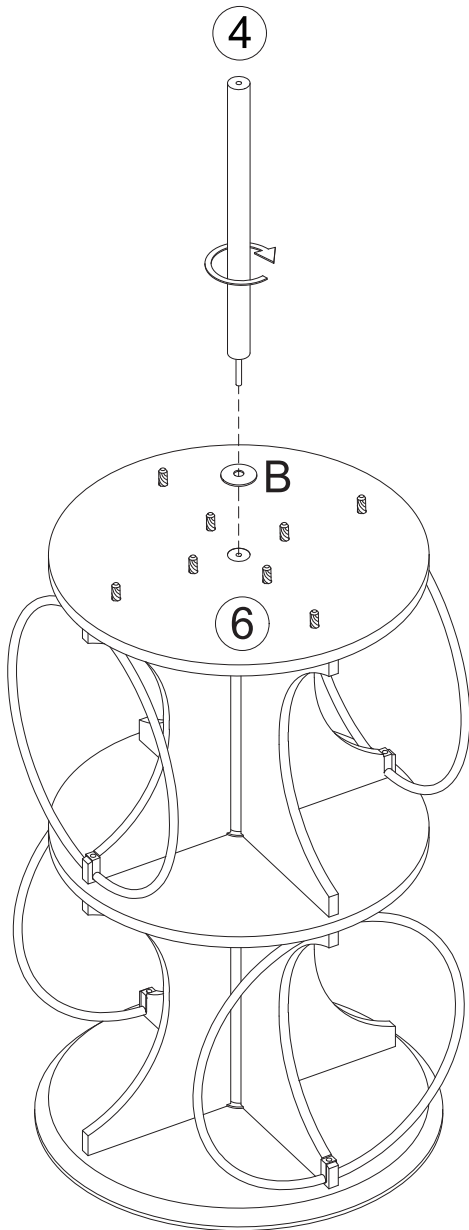
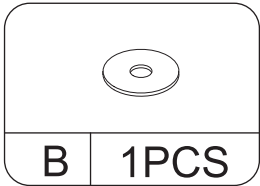
 **STEP 6**

| | |
|---|-------------|
|  | |
| E | 8PCS |



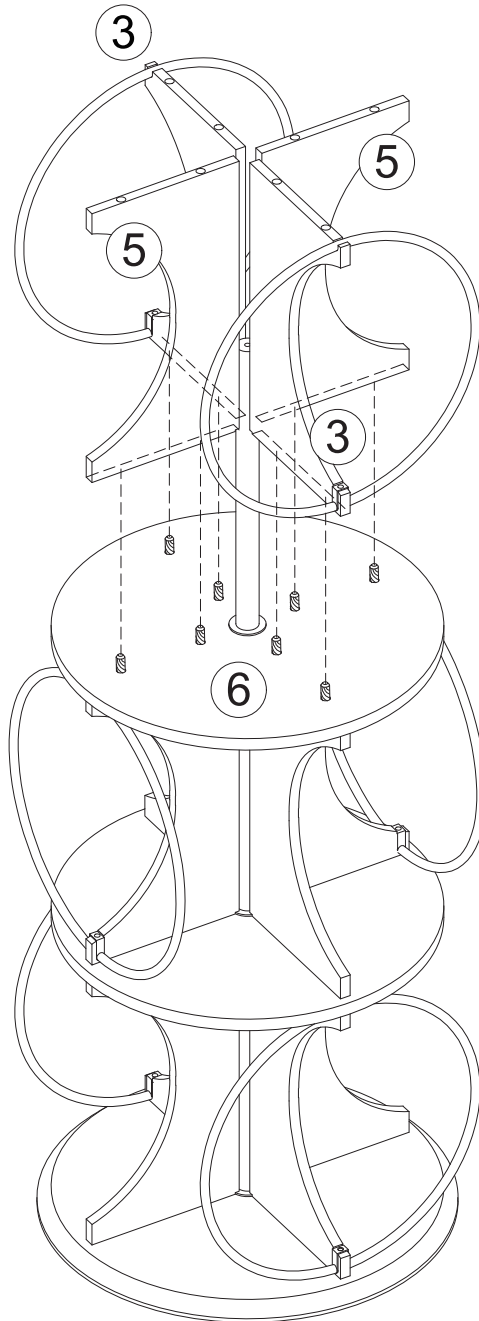
INSTALLATION STEPS

 **STEP 7**




INSTALLATION STEPS

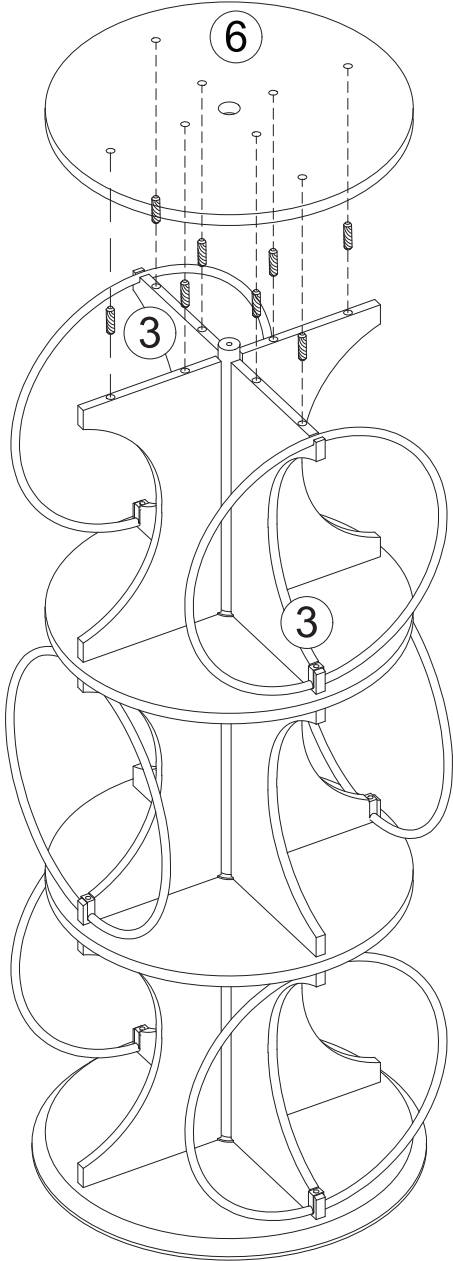
STEP 8



INSTALLATION STEPS

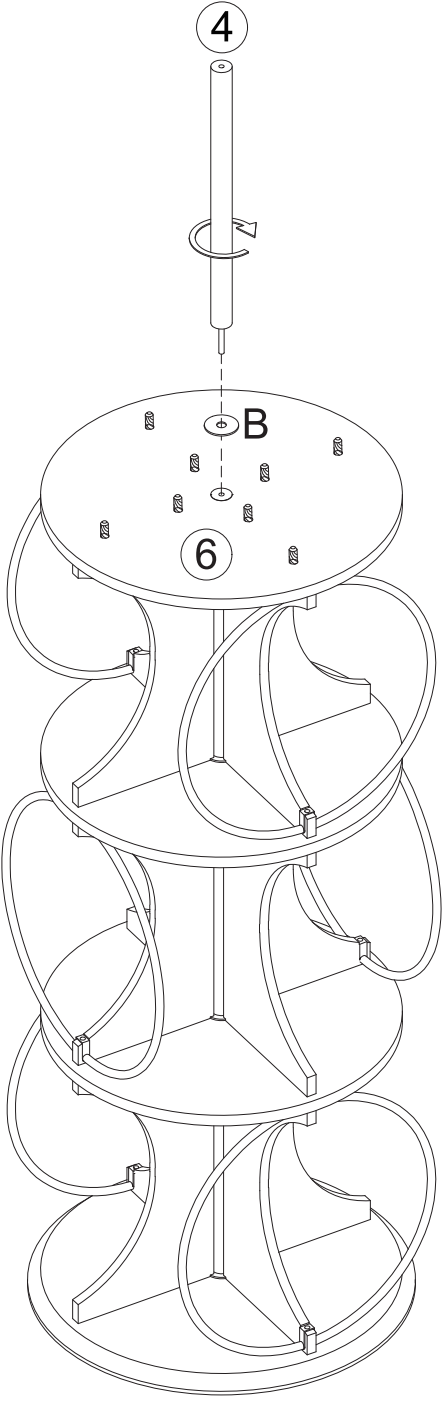
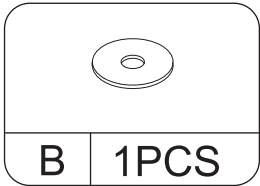
 **STEP 9**

| | |
|---|-------------|
|  | |
| E | 8PCS |



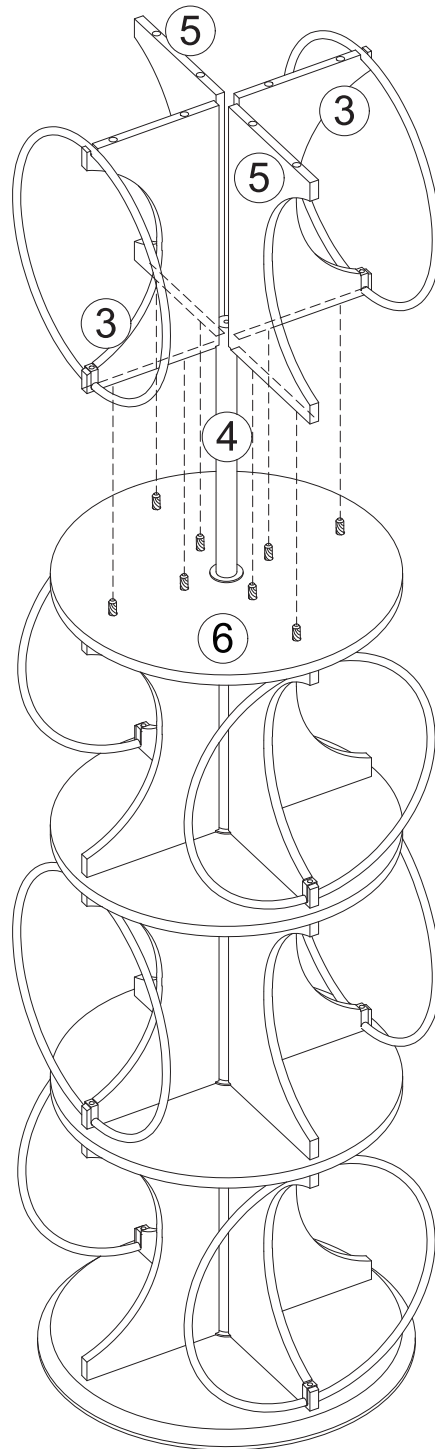
INSTALLATION STEPS

 **STEP 10**




INSTALLATION STEPS

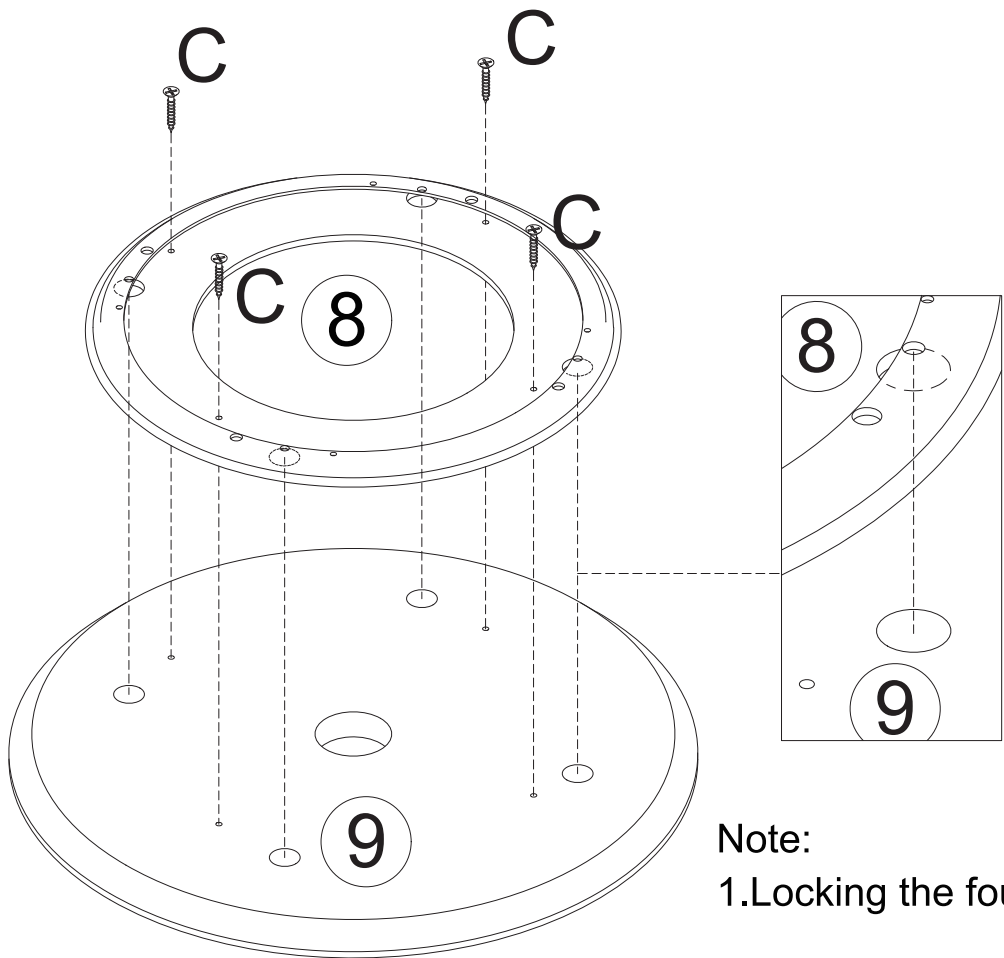
 **STEP 11**



INSTALLATION STEPS

 **STEP 12**


| | |
|---|------|
|  | |
| C | 4PCS |



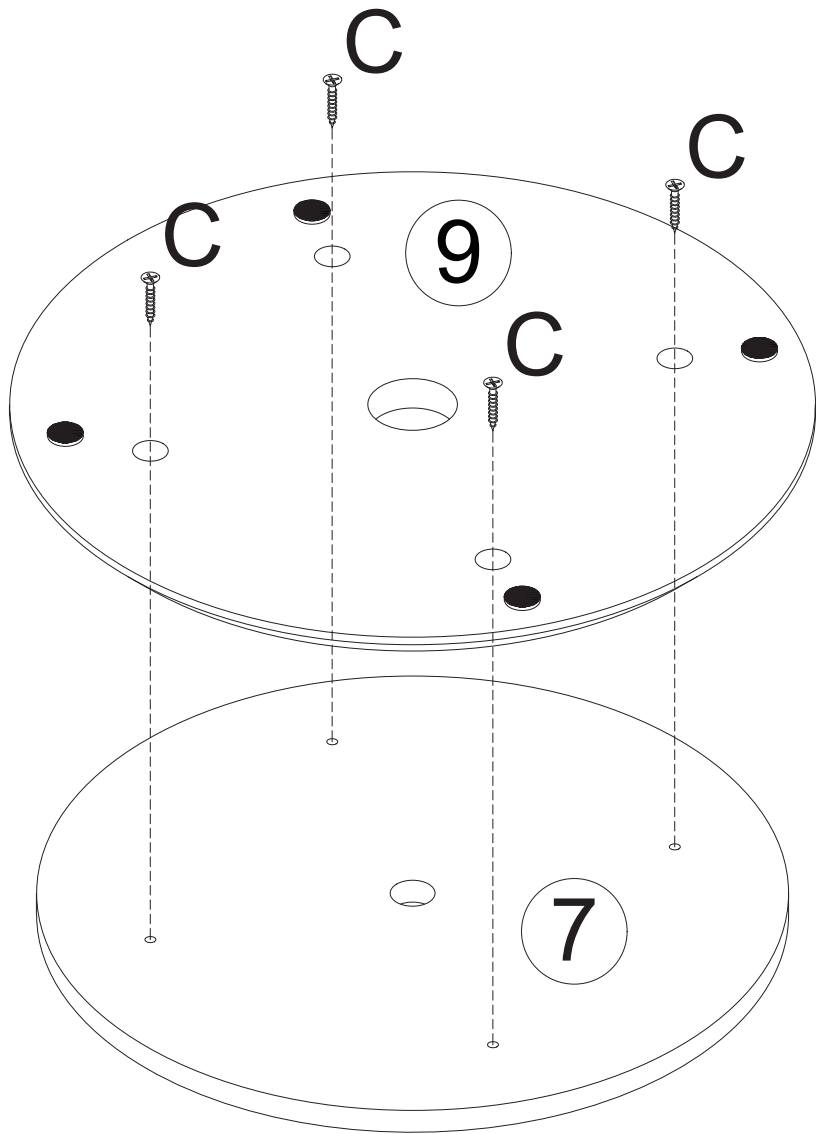
Note:
1.Locking the four screw "C" .
2.Then swiveling part "8" so that the two holes on part "8" align with a hole on part"9".

INSTALLATION STEPS

 **STEP 13**


| | |
|---|------|
|  | |
| C | 4PCS |

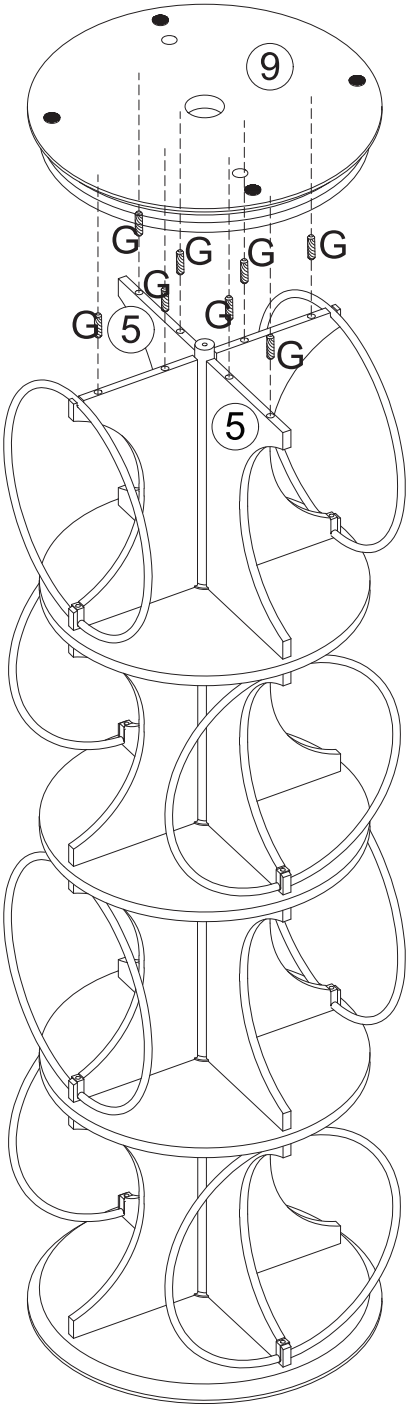
Note: Please flip over Part“9”firstly.



INSTALLATION STEPS

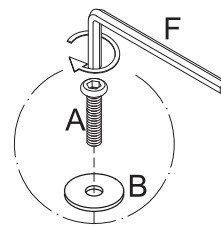
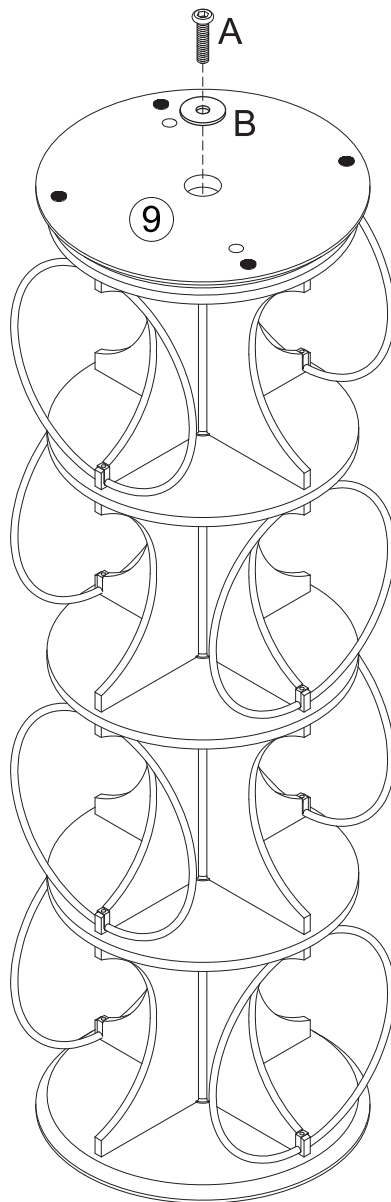
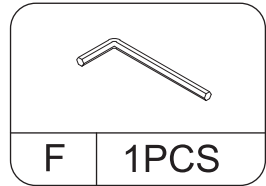
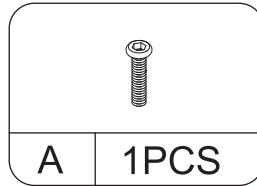
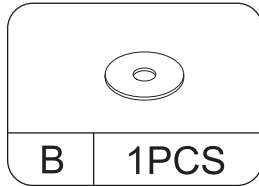
 **STEP 14**

| | |
|---|------|
|  | |
| G | 8PCS |



INSTALLATION STEPS

 **STEP 15**



Note:After assembly, turn it upside down.