

THIS INSTRUCTION BOOKLET CONTAINS IMPORTANT SAFETY INFORMATION. PLEASE READ AND KEEP FOR FUTURE REFERENCE.

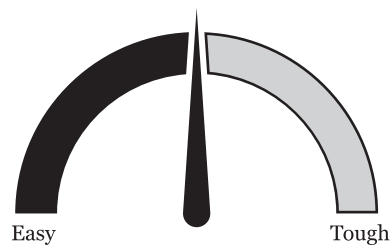
Do Not Return This Product!

Contact our customer service team
for help first.



WARNING

- Unit can tip over causing severe injury or death.
- Anchor unit to stud in wall (if instructed to)
- Do Not allow children to climb on unit.
- put heavy items on lower shelves or drawers.



Assembly Difficulty Meter

CONTACT US!

Do NOT return this product!

Contact our friendly customer service team first for help.

HELPFUL HINTS

PEOPLE NEEDED FOR ASSEMBLY:2
ESTIMATED ASSEMBLY TIME:1 HOUR

- Open your item in the area you plan to keep it to avoid excessive heavy lifting.
- Identify,sort and count the parts before attempting assembly.
- Back panel must be used to make sure your unit is sturdy.
- Do NOT use harsh chemicals or abrasive cleaners on this item.
- Never push,pull,or drag your furniture.

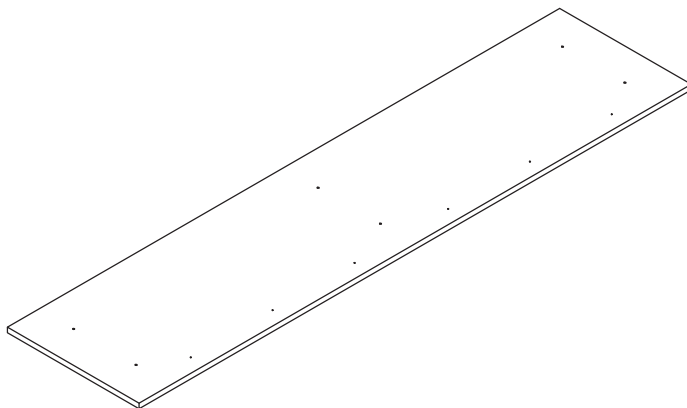


BEFORE YOU START

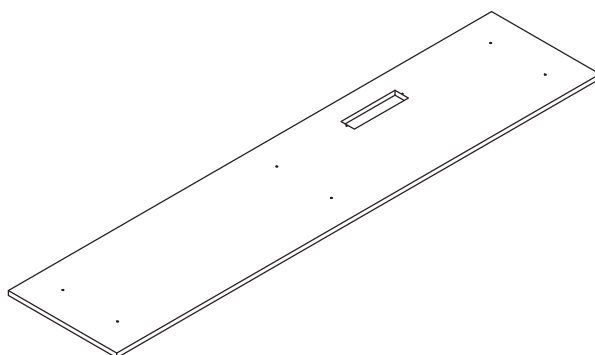
- Read through each step carefully and follow the proper order
- Separate and count all your parts and hardware
- Give yourself enough room for the assembly process
- Have the following tools:Flat Head Screwdriver,#2 Phillips Head Screwdriver and Hammer
- Caution: IF using a power drill or power screwdriver for screwing,please be aware to slow down and stop when screw is tight.Failure to do so may result in stripping the screw.

BOARD IDENTIFICATION

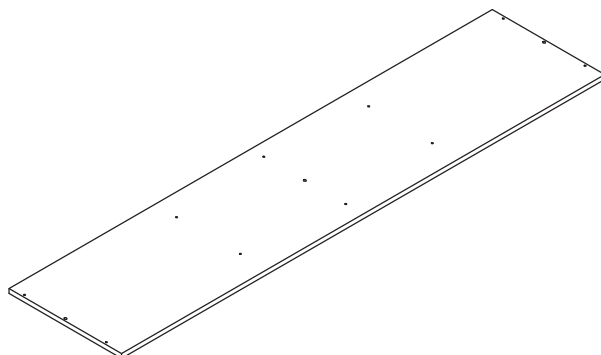
1



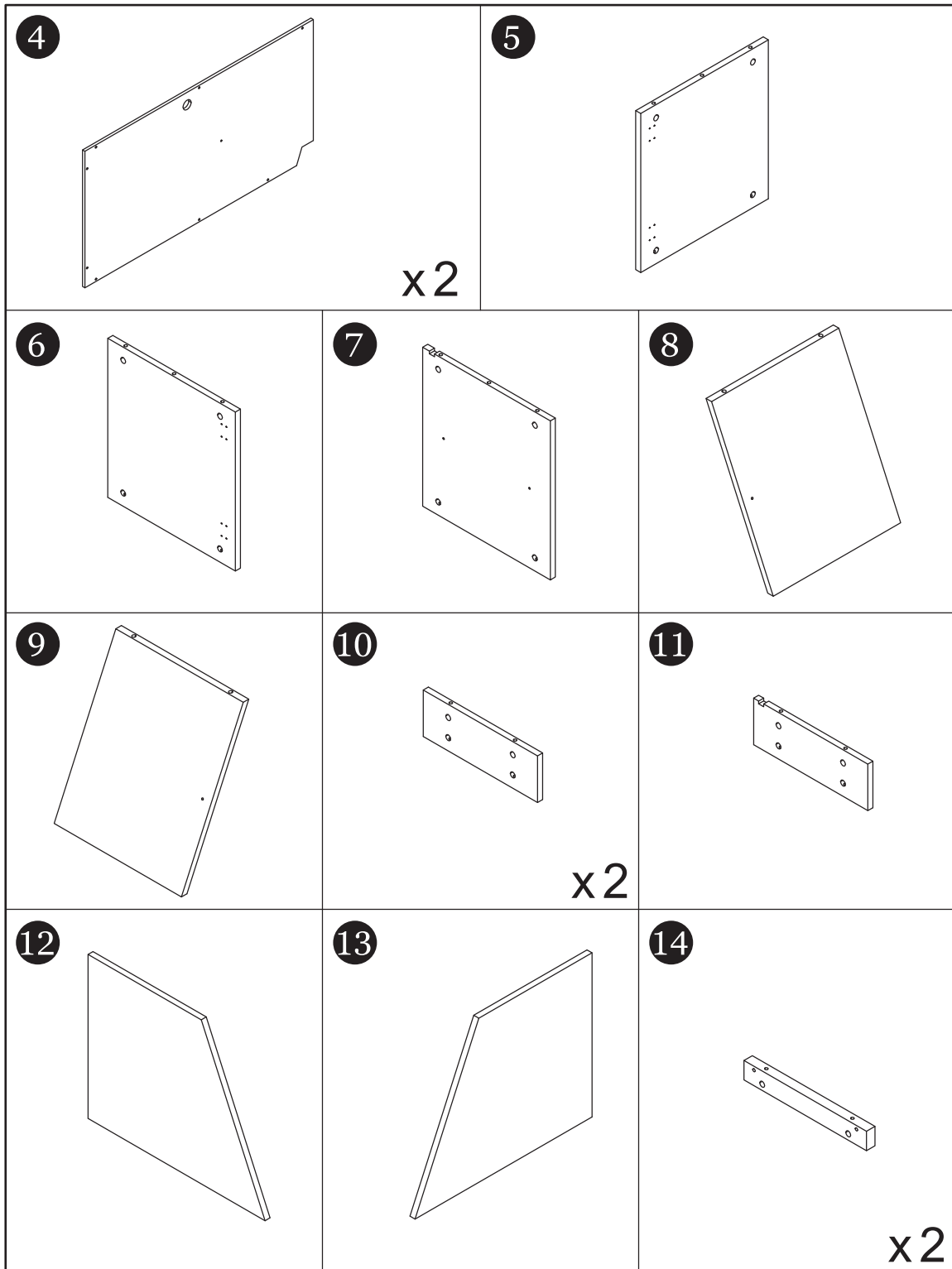
2



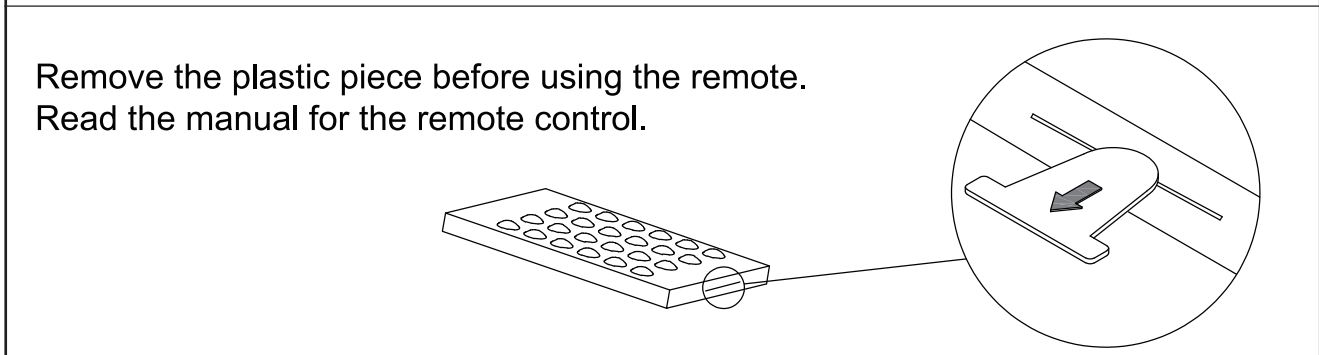
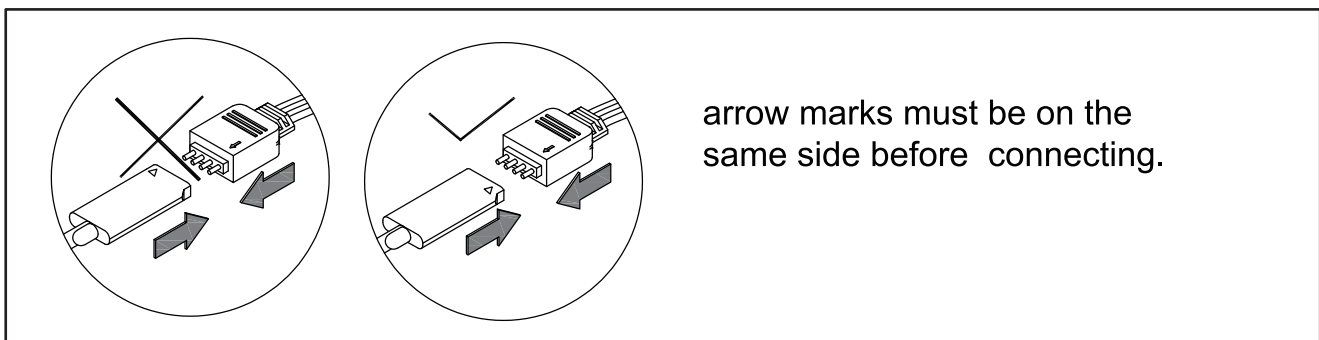
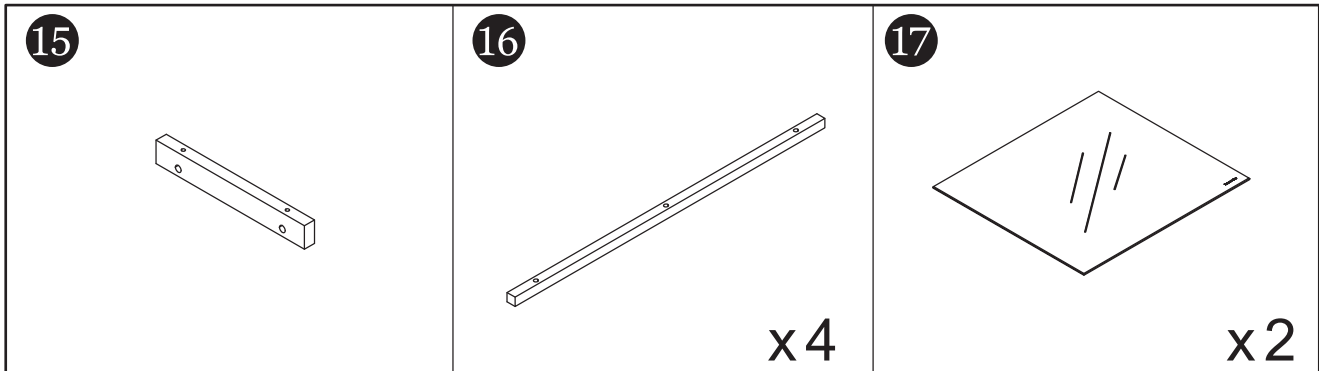
3



BOARD IDENTIFICATION



BOARD IDENTIFICATION



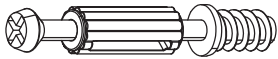
IMPORTANT :

1. Do not tighten bolts / screws completely until all bolts / screws are lined up and inserted into holes.
2. Do not over tighten screws and bolts to avoid stripping.
3. Please use hand tools to assemble this product. Do not use power tools.
4. Must need 2 people to assemble this product.



THE HARDWARES

A M5×42mm



Cam Bolt

30 PCS

B Ø15×12mm



Cam Lock

34 PCS

C M6×30mm



Bolt

12 PCS

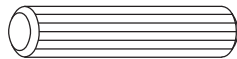
D M6×45mm



Bolt

4 PCS

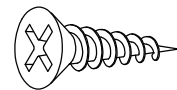
E Ø8×40mm



Wood Dowel

6 PCS

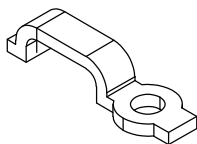
F M3.5×14mm



Screw

36 PCS

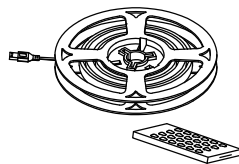
G



LED Strip Light Fixing Clips

10 PCS

H



LED Strip Lights

1 PCS

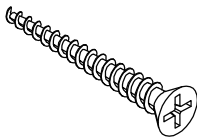
I M6×60mm

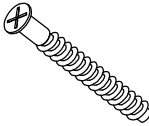


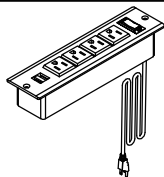
Rotating Cam Bolt

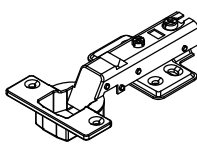
4 PCS

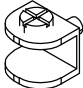
THE HARDWARES

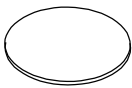
J M3.5×30mm

Screw
4 PCS

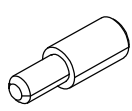
K M5×40mm

Screw
16 PCS

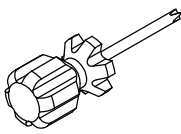
L

Plug Power Strip
1 PCS

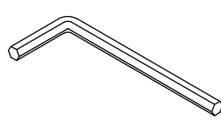
M

Hinge
4 PCS

N

Glass Clip
6 PCS

O Ø22mm

Cam Cover
28 PCS

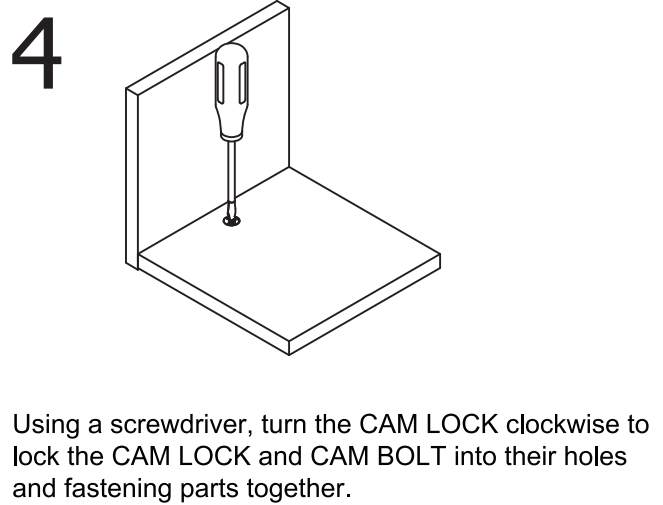
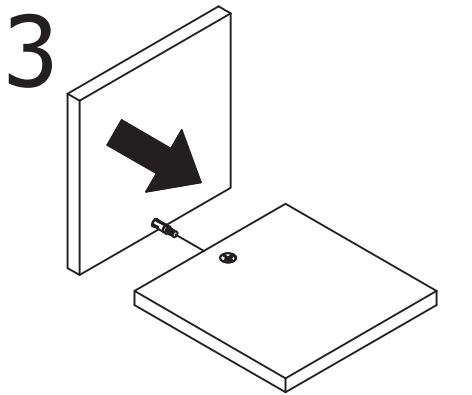
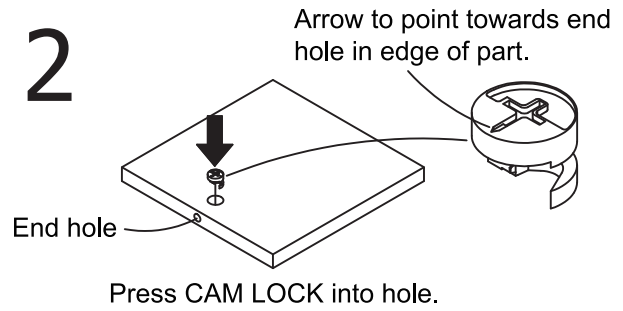
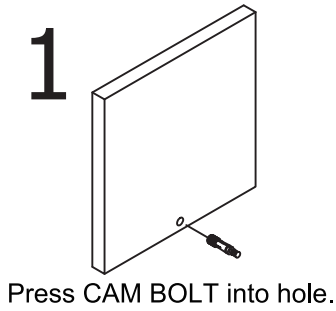
P

Shelf Support
2 PCS


Phillips Screwdriver
1 PCS

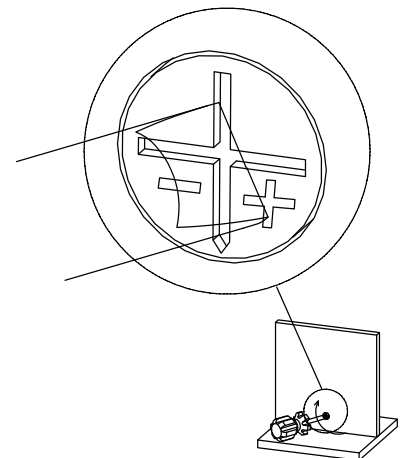
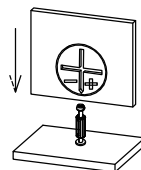
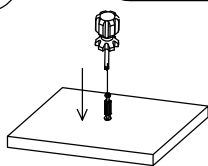
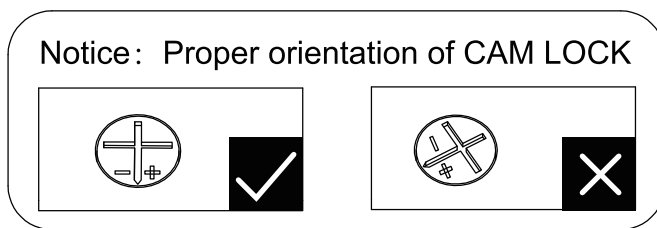
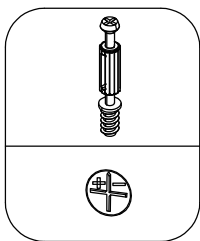
4#

Hex key
1 PCS

CAM LOCK FASTENING SYSTEM

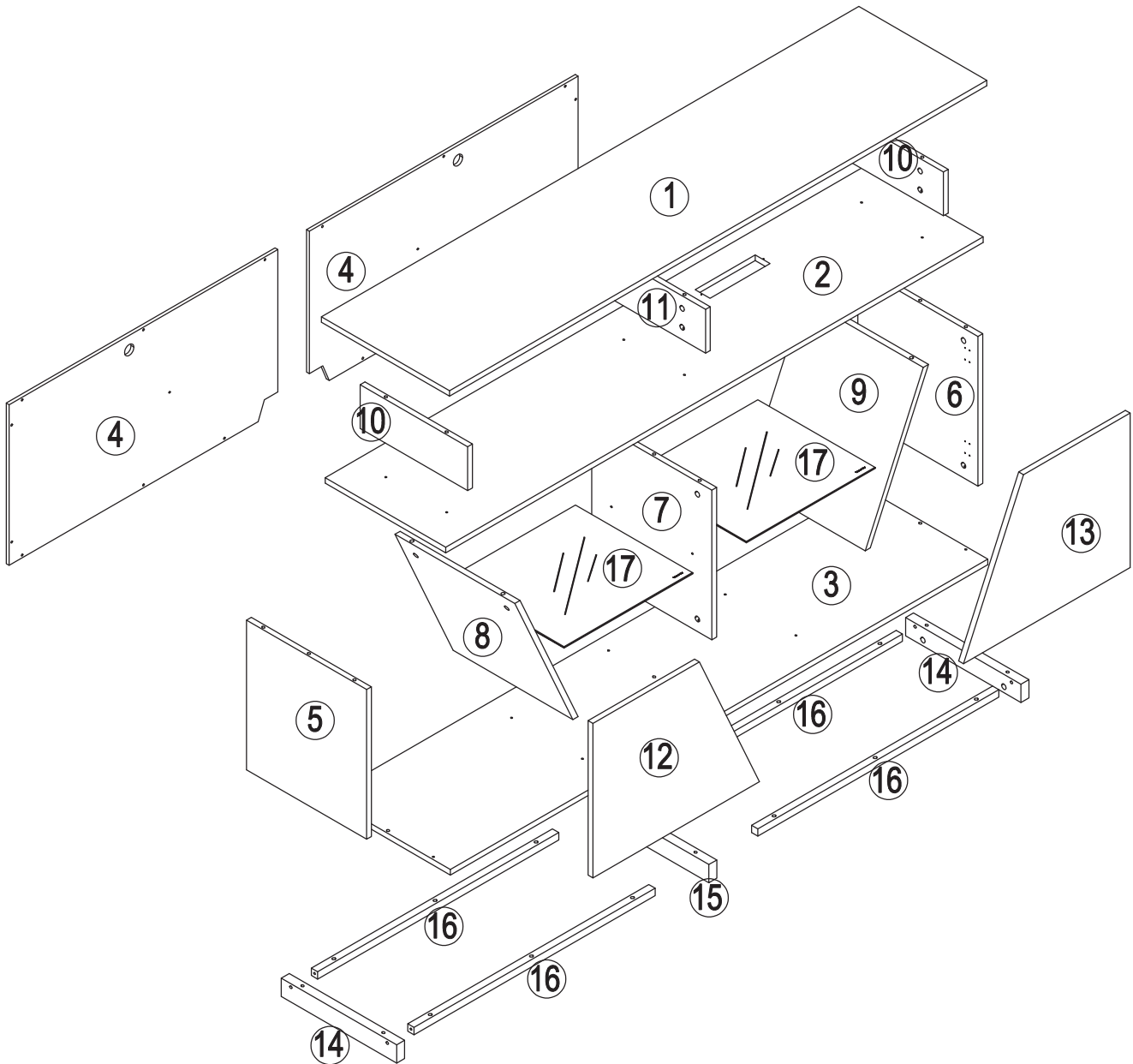
This Cam Lock Fastening System will be used throughout the assembly process.



M5X42

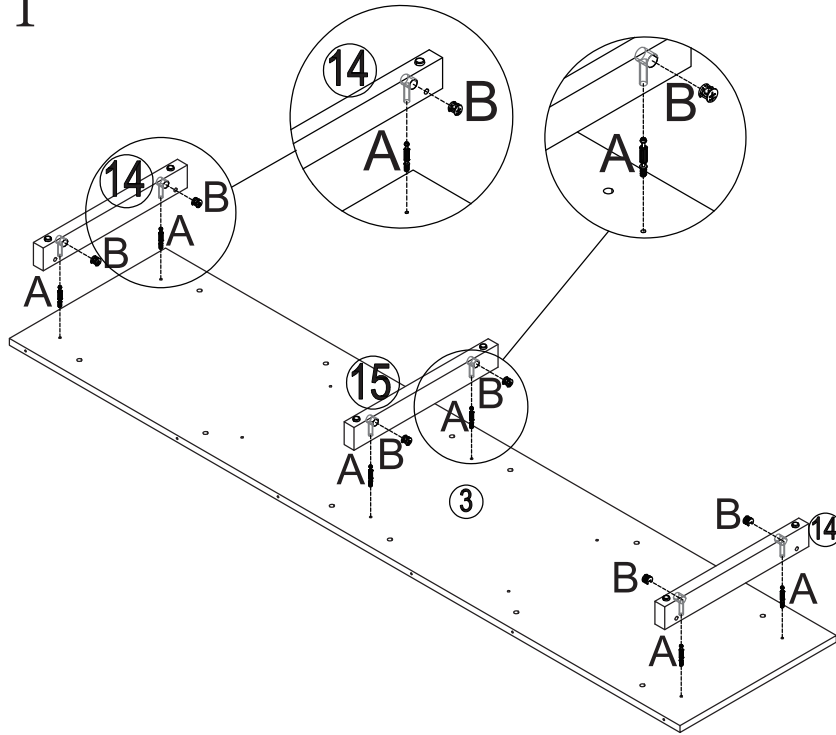



BOARD IDENTIFICATION




INSTALLATION STEPS

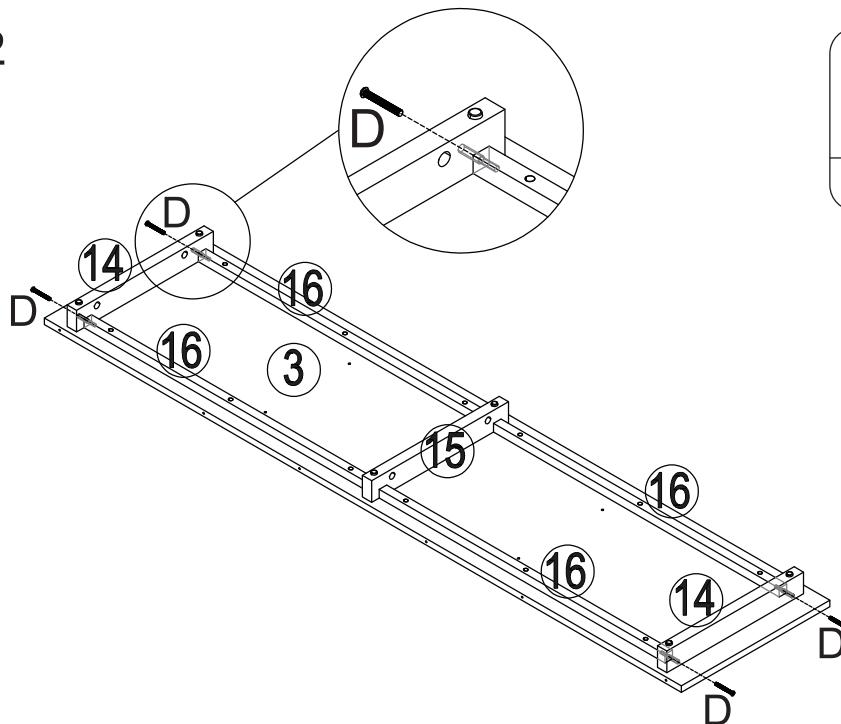
STEP 1

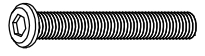


	
A	6PCS

	
B	6PCS

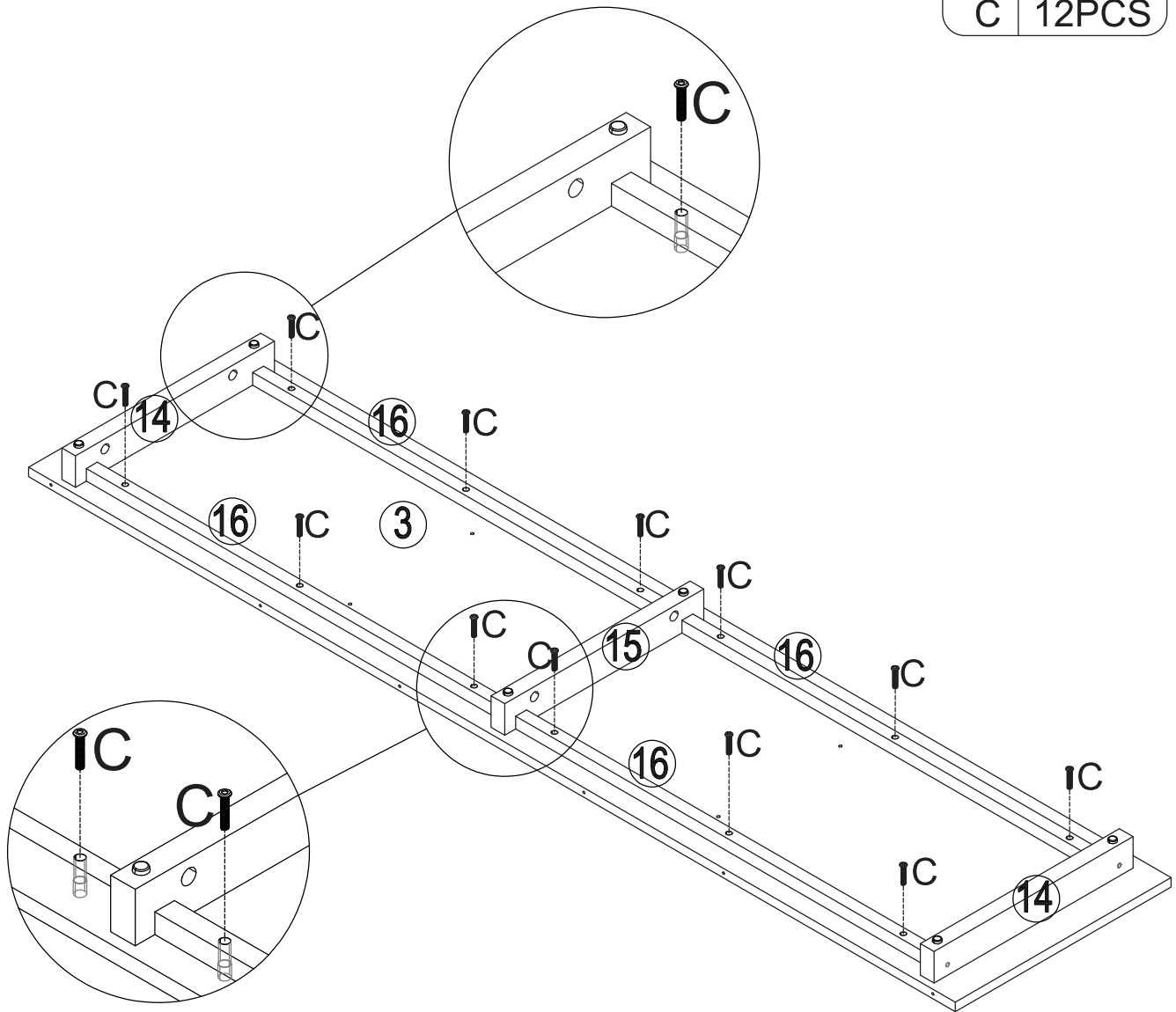
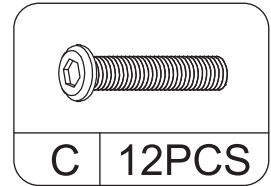
STEP 2



	
D	4PCS

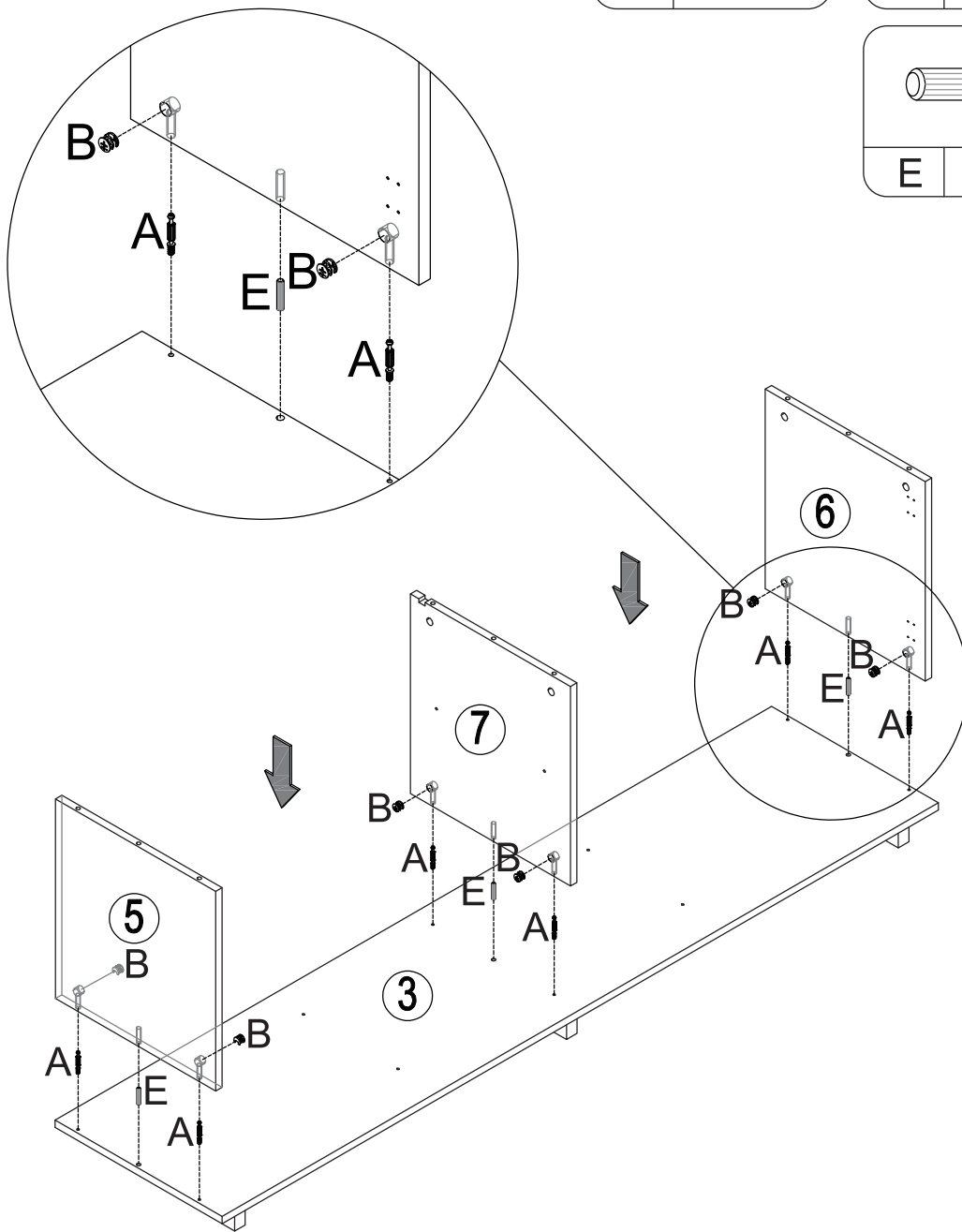
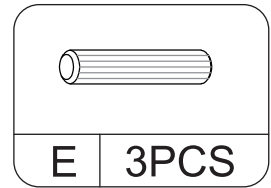
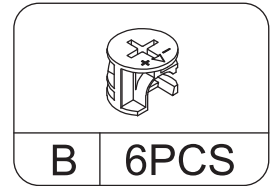
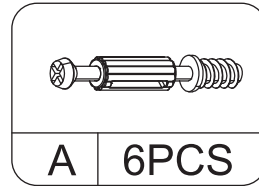
INSTALLATION STEPS

 **STEP 3**



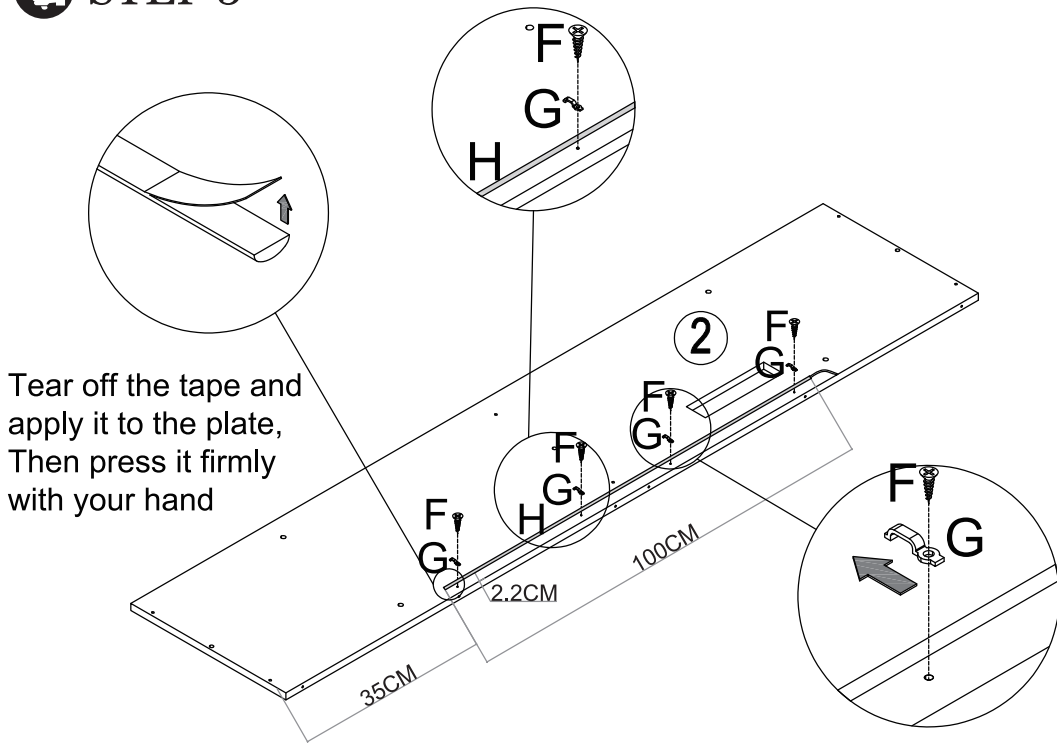
INSTALLATION STEPS


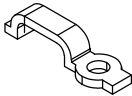

STEP 4



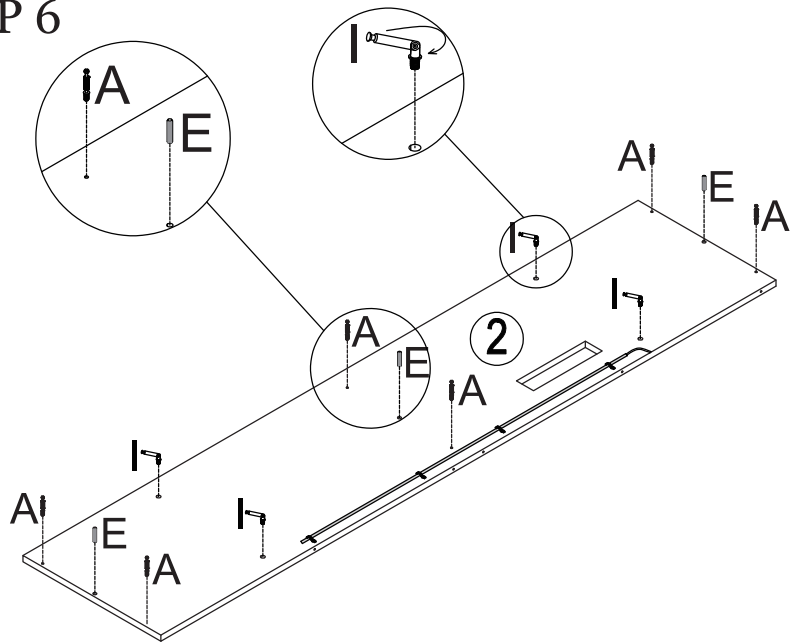
INSTALLATION STEPS

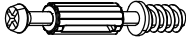

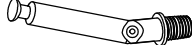
STEP 5



-  F | 4PCS
-  G | 4PCS
-  H | 1PCS


STEP 6

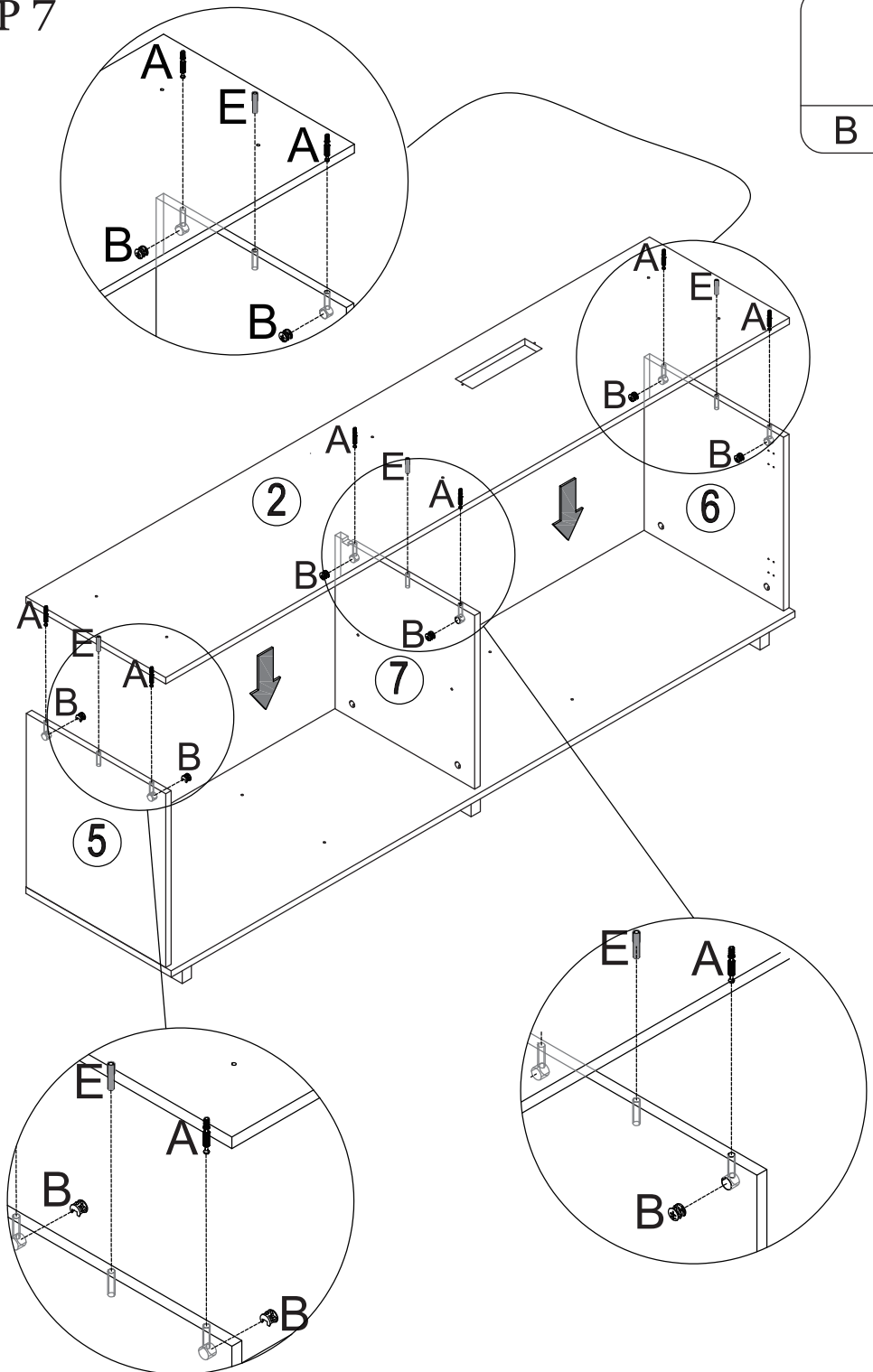


-  A | 6PCS
-  E | 3PCS
-  I | 4PCS

INSTALLATION STEPS

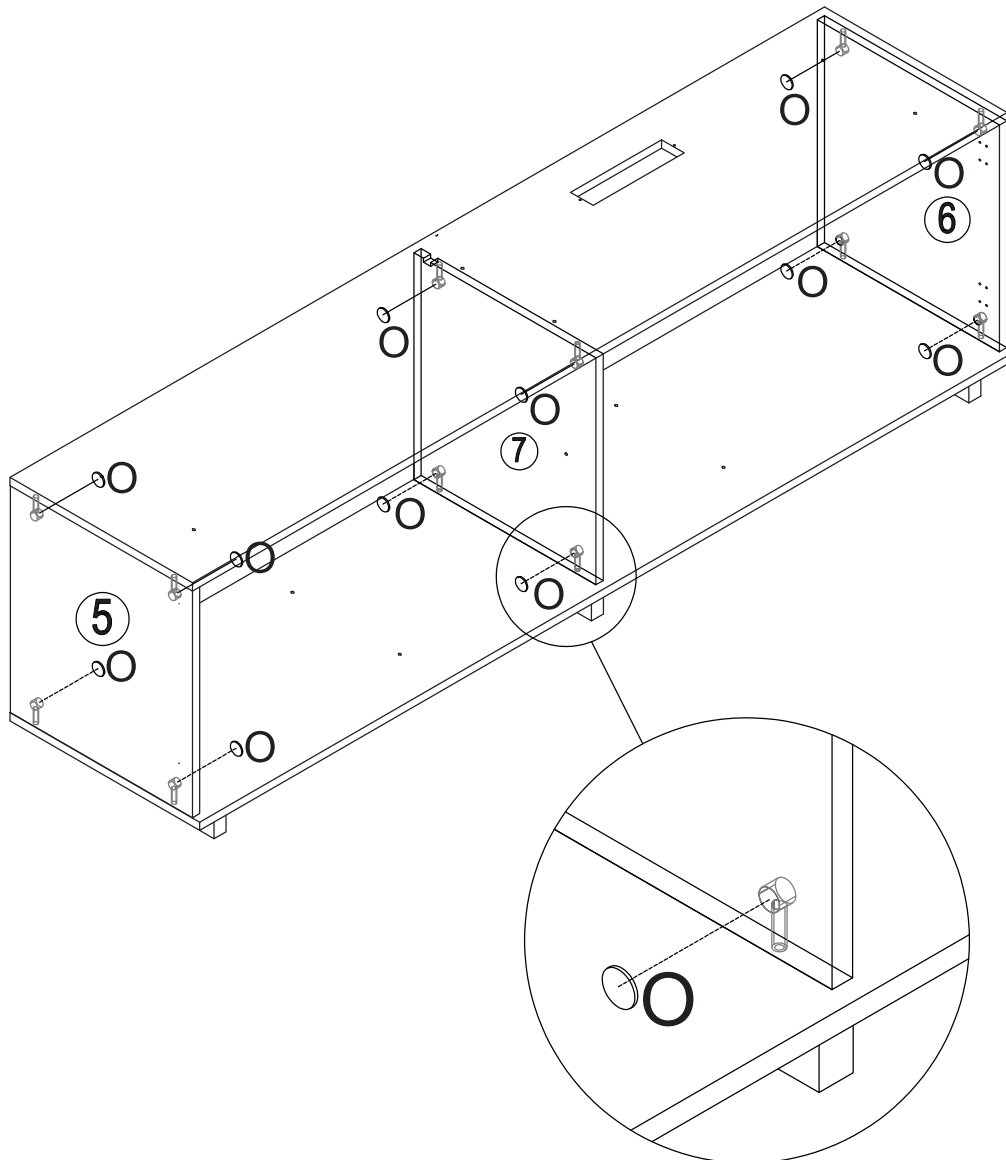
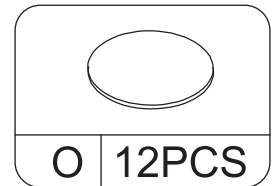
 STEP 7

	
B	6PCS



INSTALLATION STEPS

 **STEP 8**



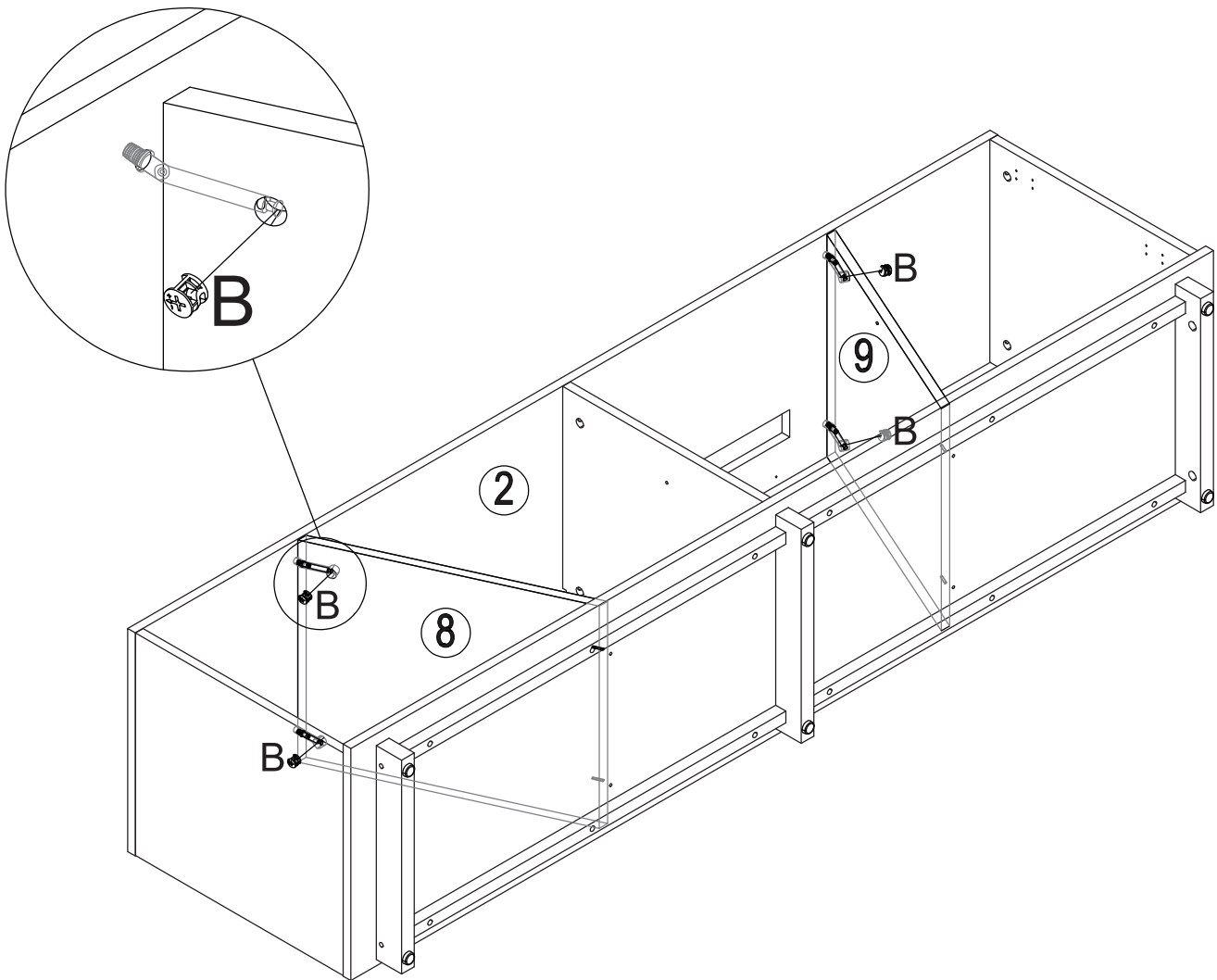
Tear off the tape and apply it to the plate, Then press it firmly with your hand

INSTALLATION STEPS

 **STEP 9**

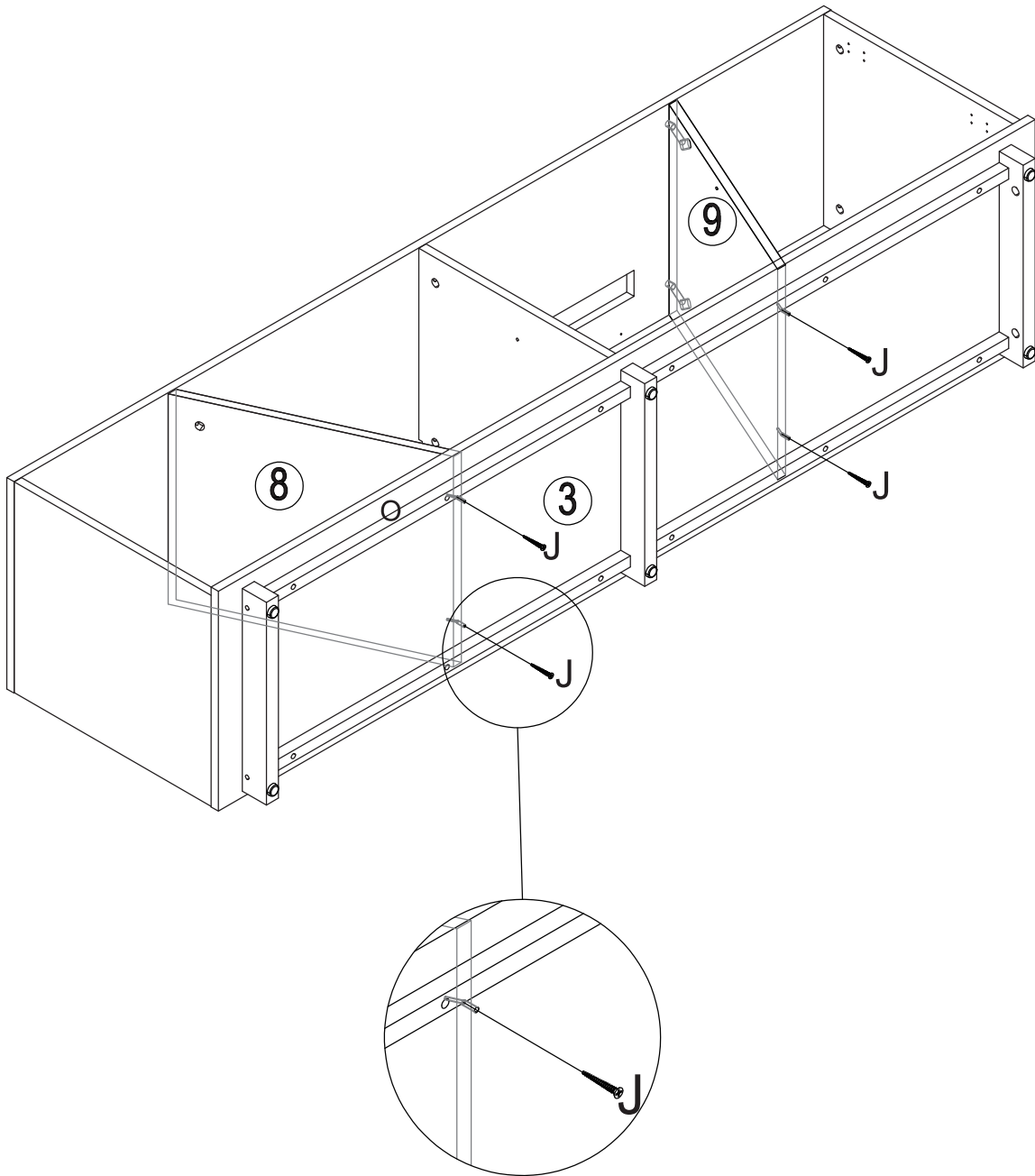
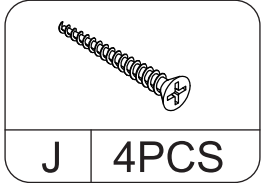


B 4PCS




INSTALLATION STEPS

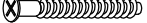
 **STEP 10**




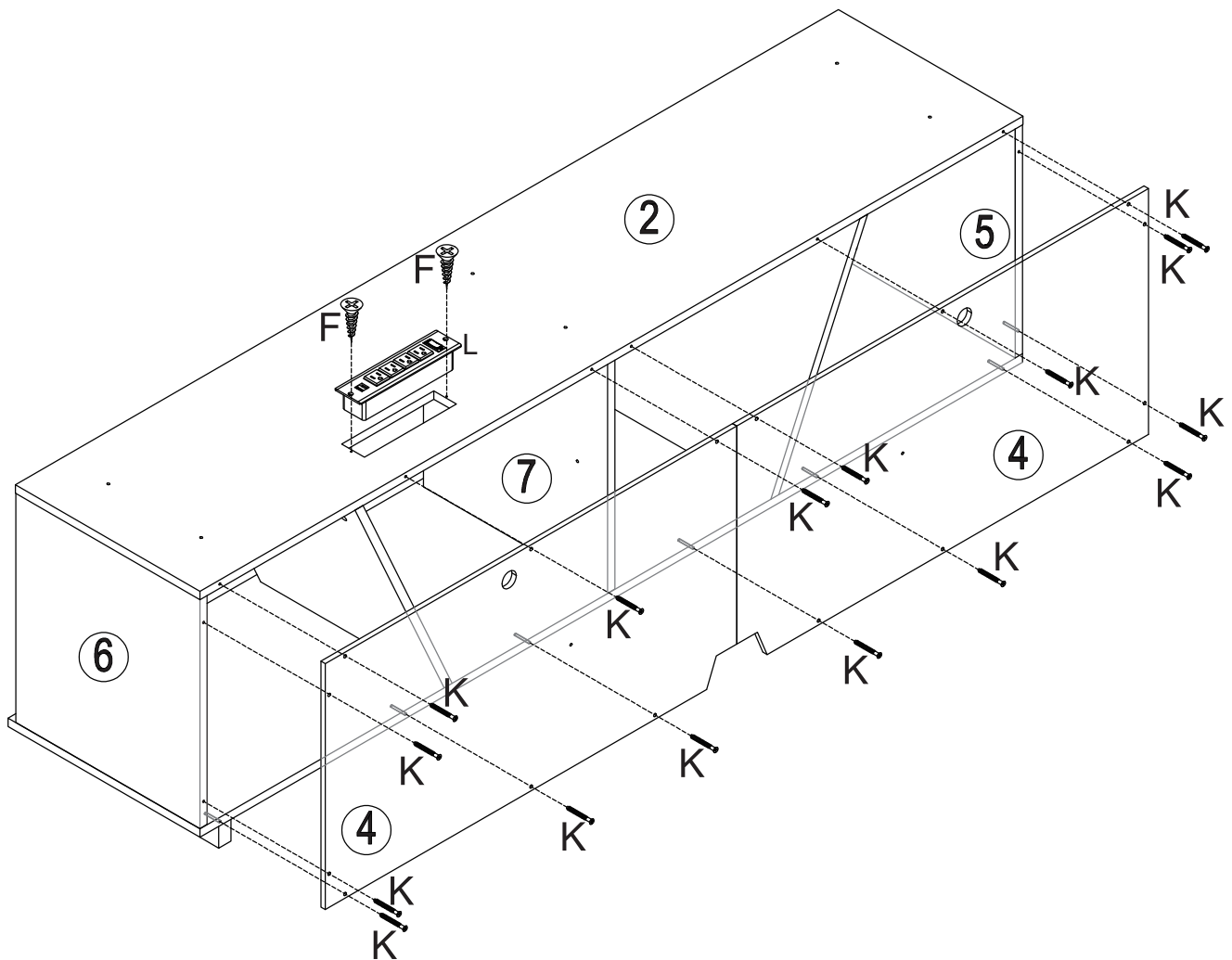
INSTALLATION STEPS

 **STEP 11**


F 2PCS

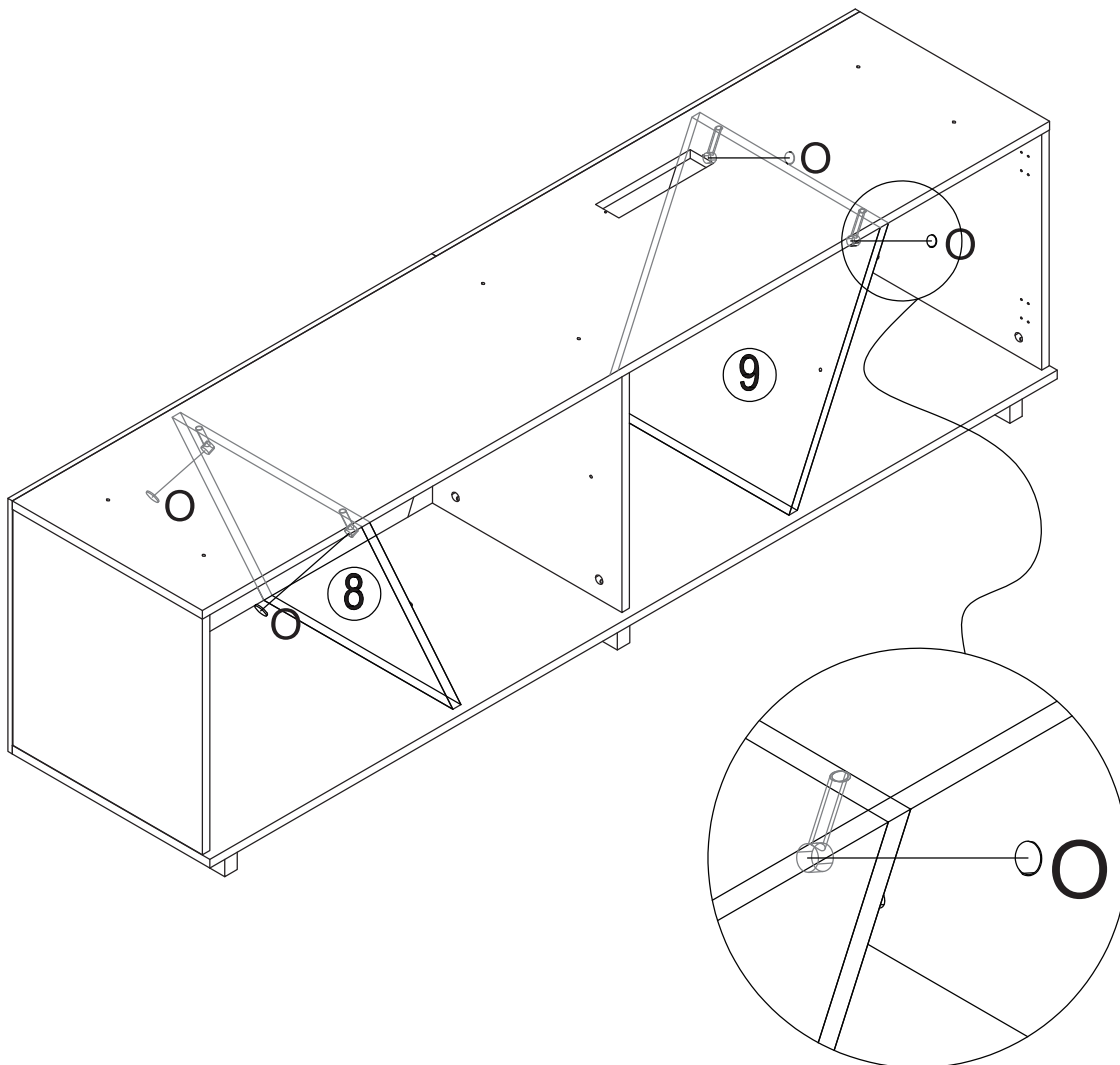
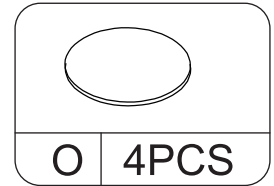

K 16PCS


L 1PCS



INSTALLATION STEPS

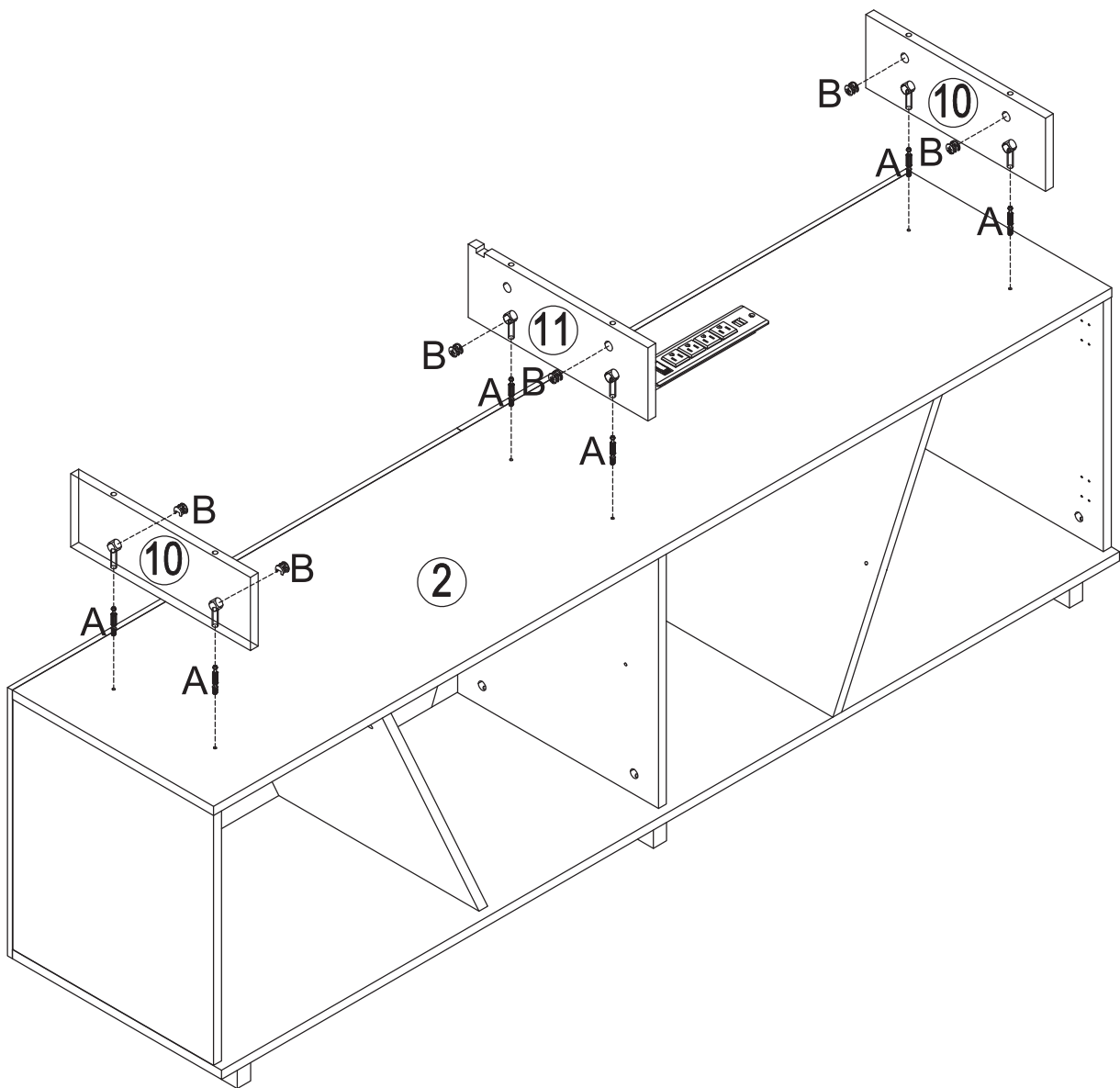
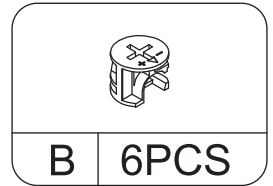
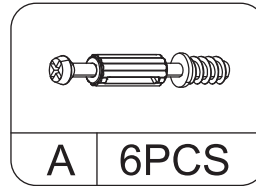
 STEP 12



Tear off the tape and apply it to the plate, Then press it firmly with your hand

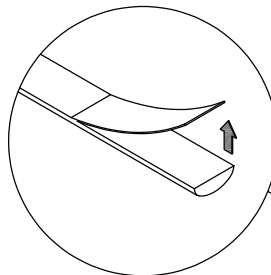
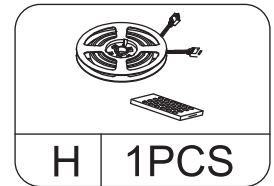
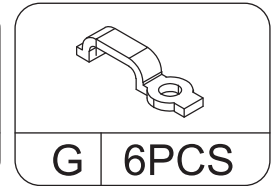
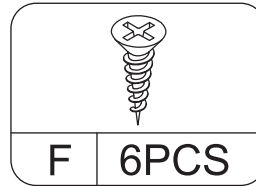
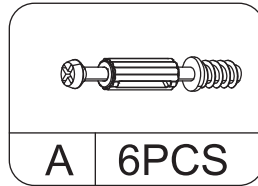
INSTALLATION STEPS

 **STEP 13**

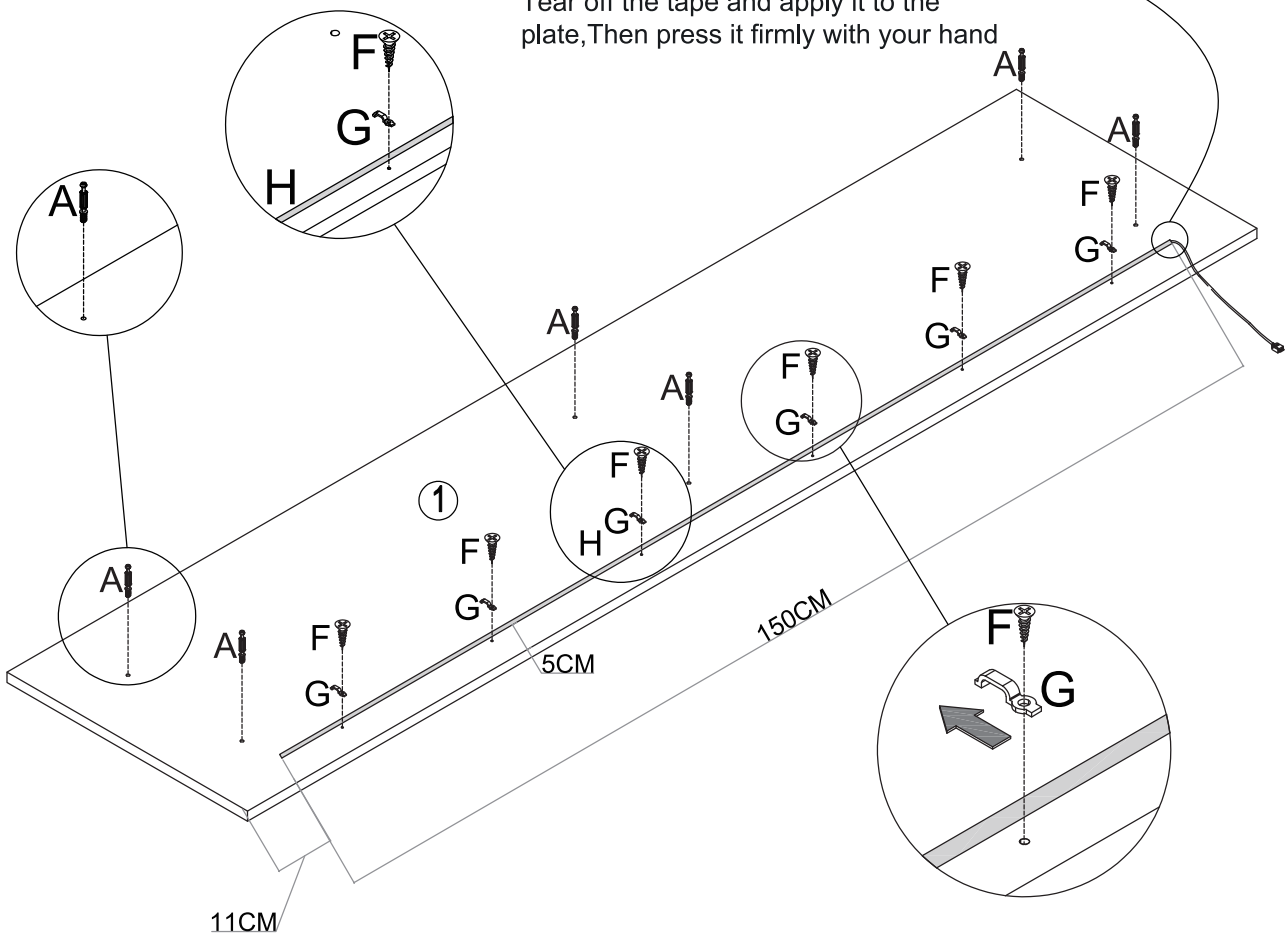


INSTALLATION STEPS

STEP 14

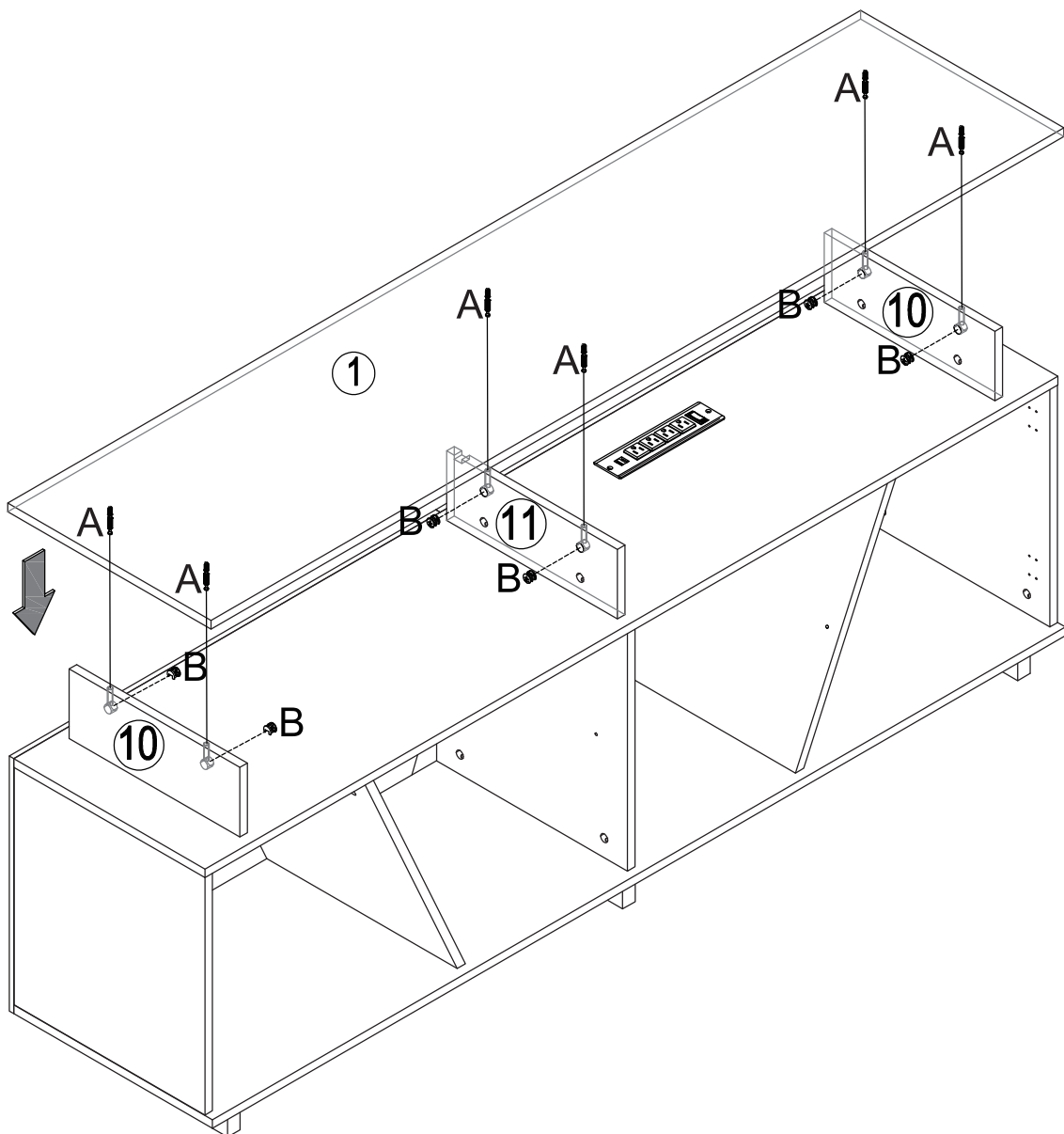
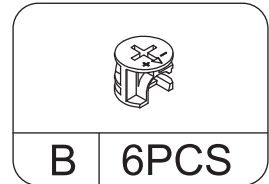


Tear off the tape and apply it to the plate, Then press it firmly with your hand



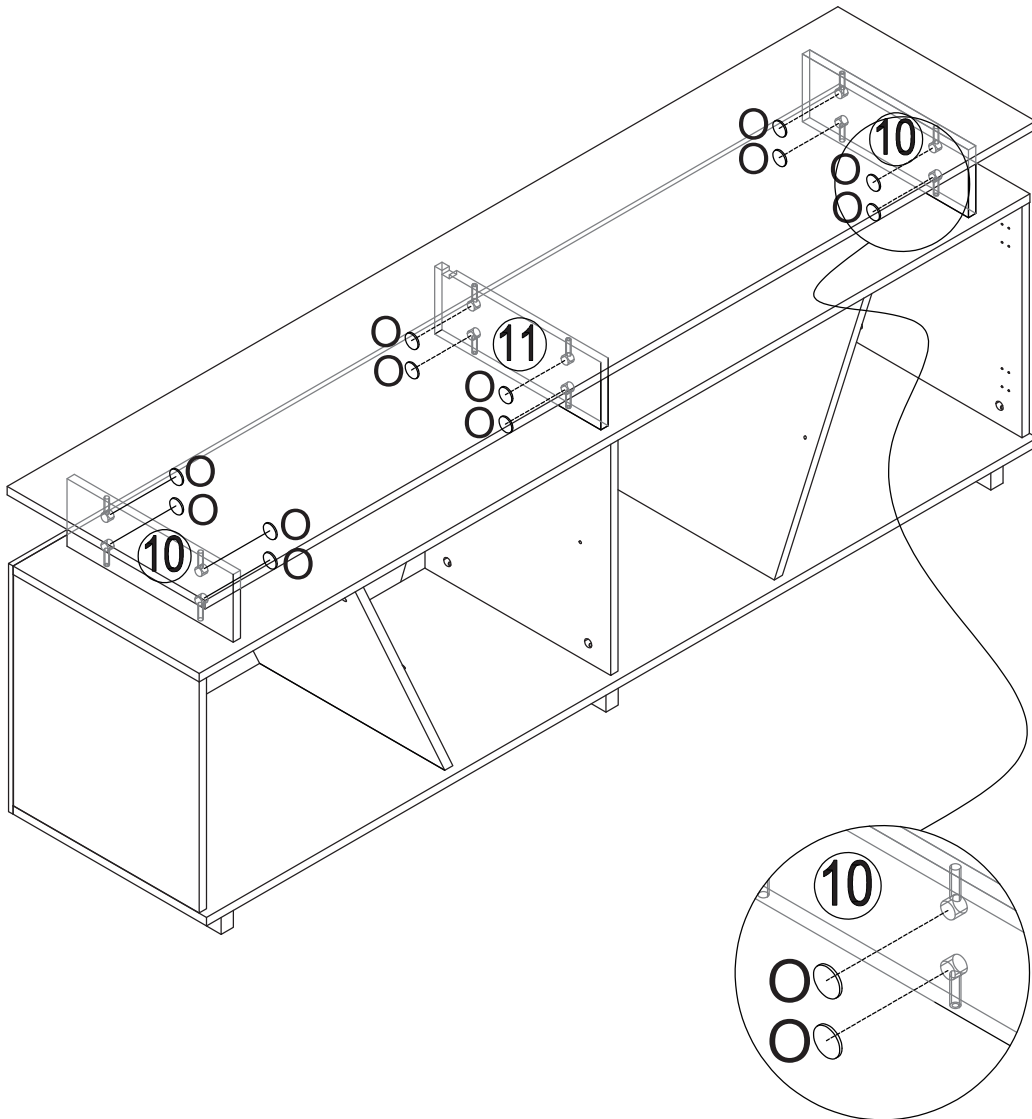
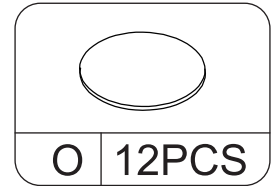
INSTALLATION STEPS

 STEP 15



INSTALLATION STEPS

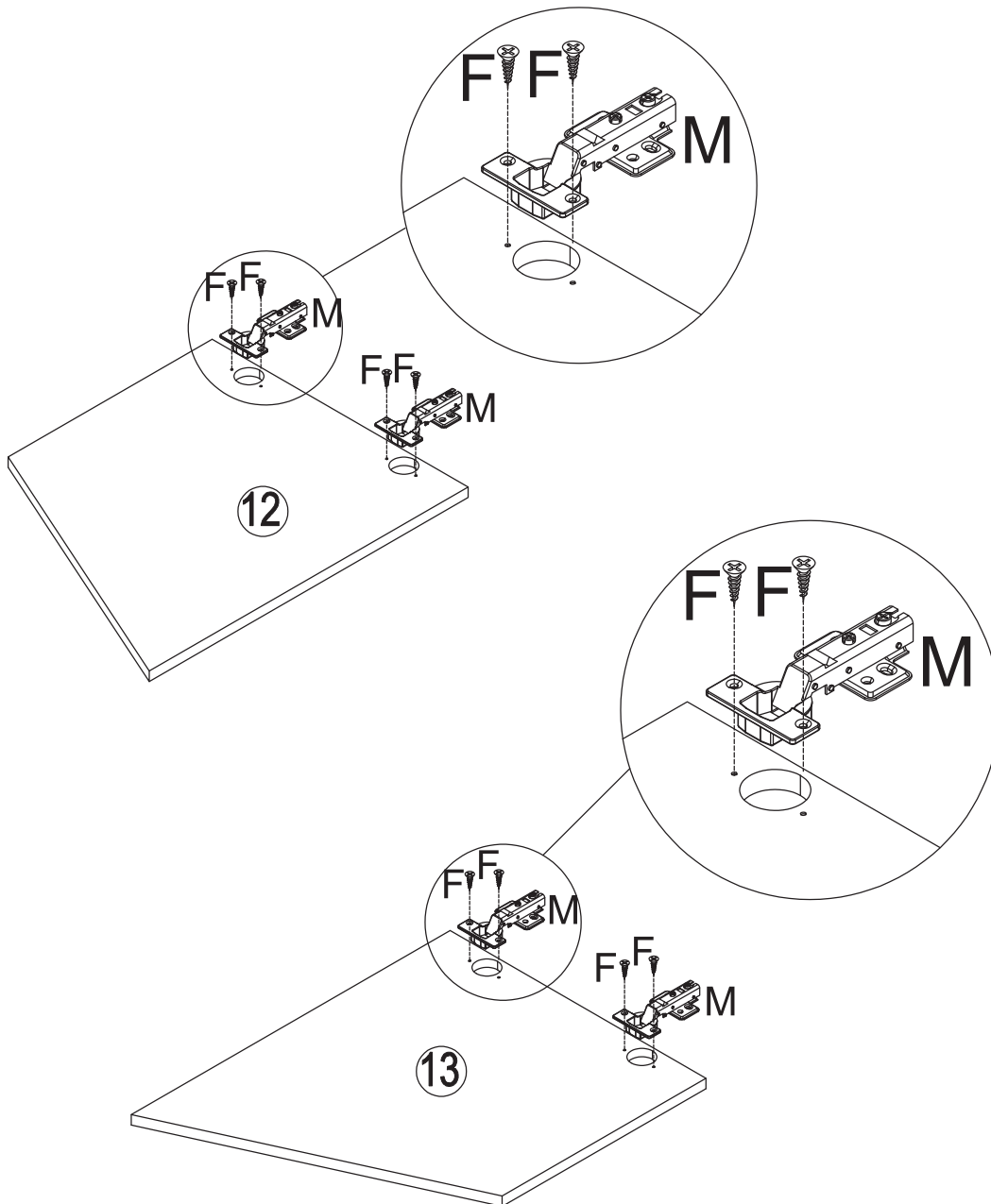
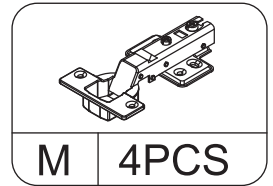
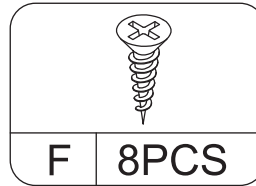
 STEP 16



Tear off the tape and apply it to the plate, Then press it firmly with your hand


INSTALLATION STEPS

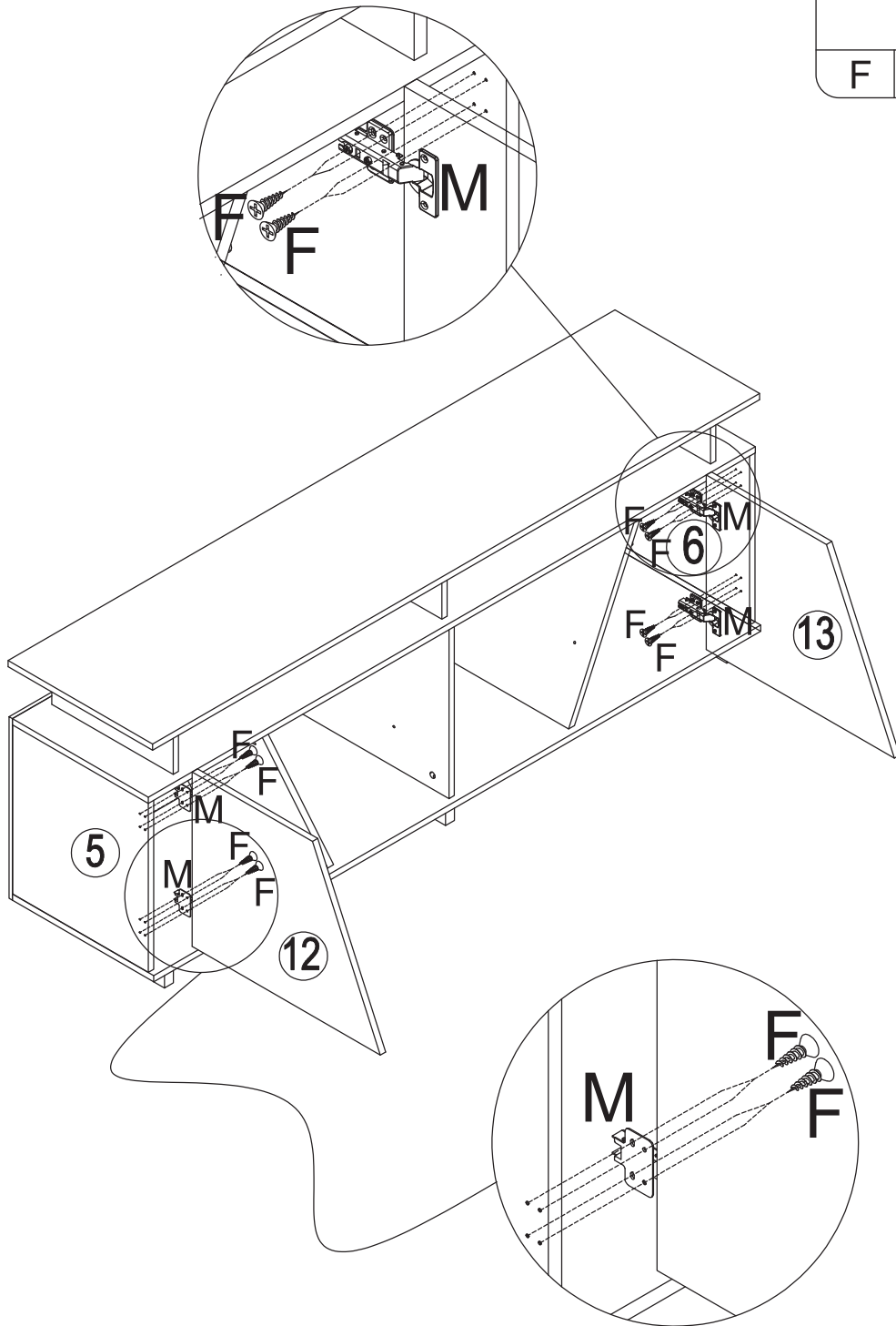
 **STEP 17**



INSTALLATION STEPS

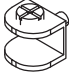
 **STEP 18**

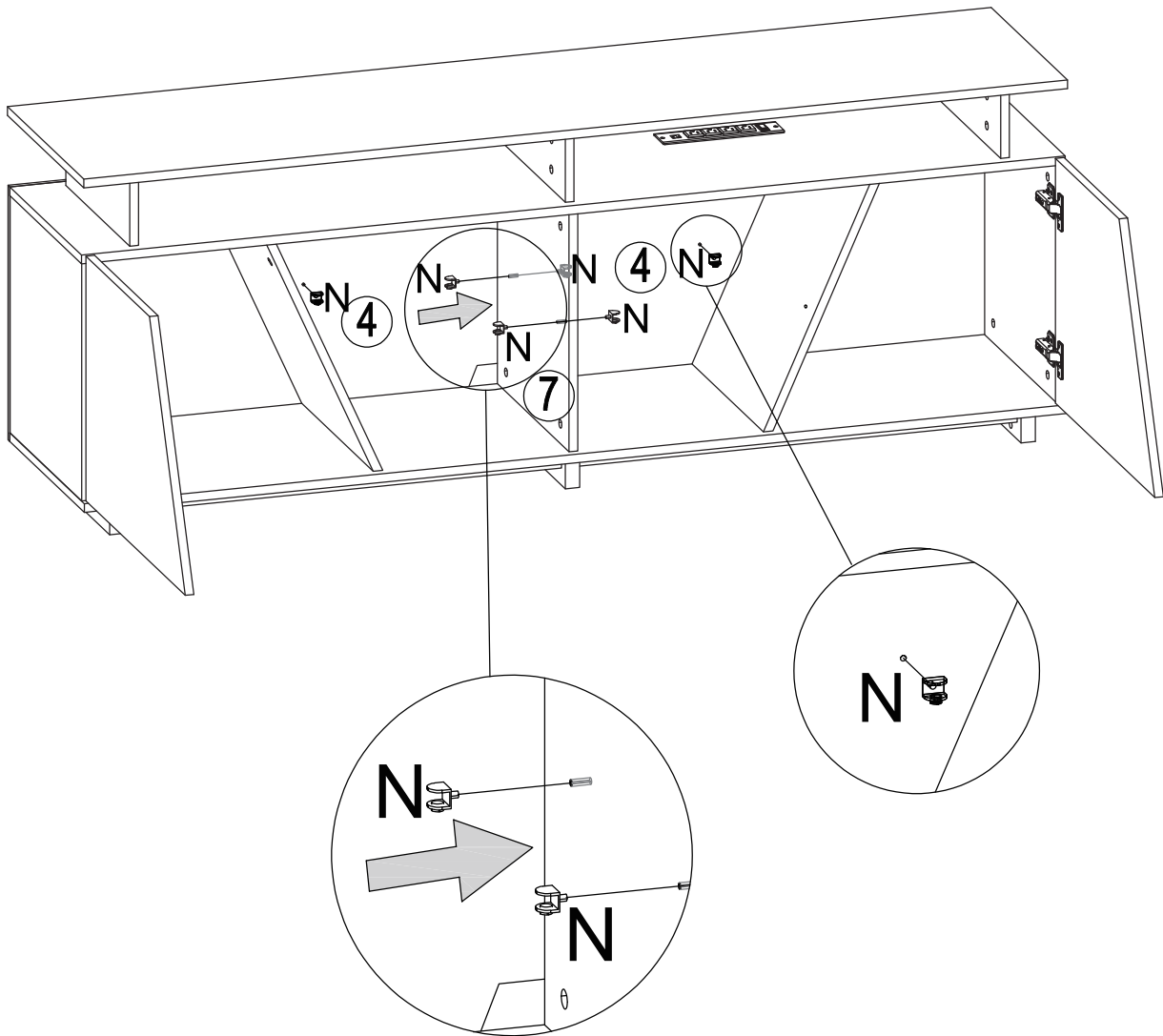
	
F	16PCS



INSTALLATION STEPS

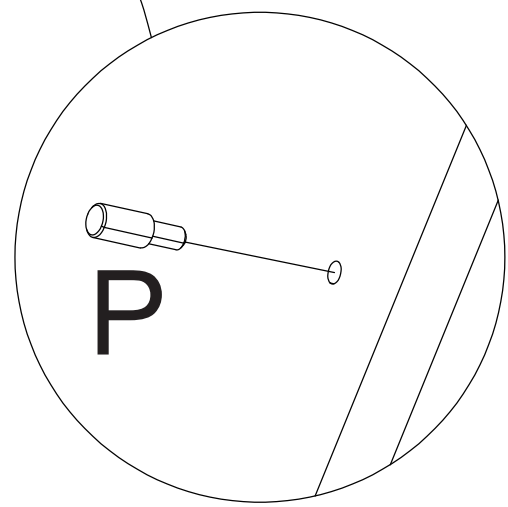
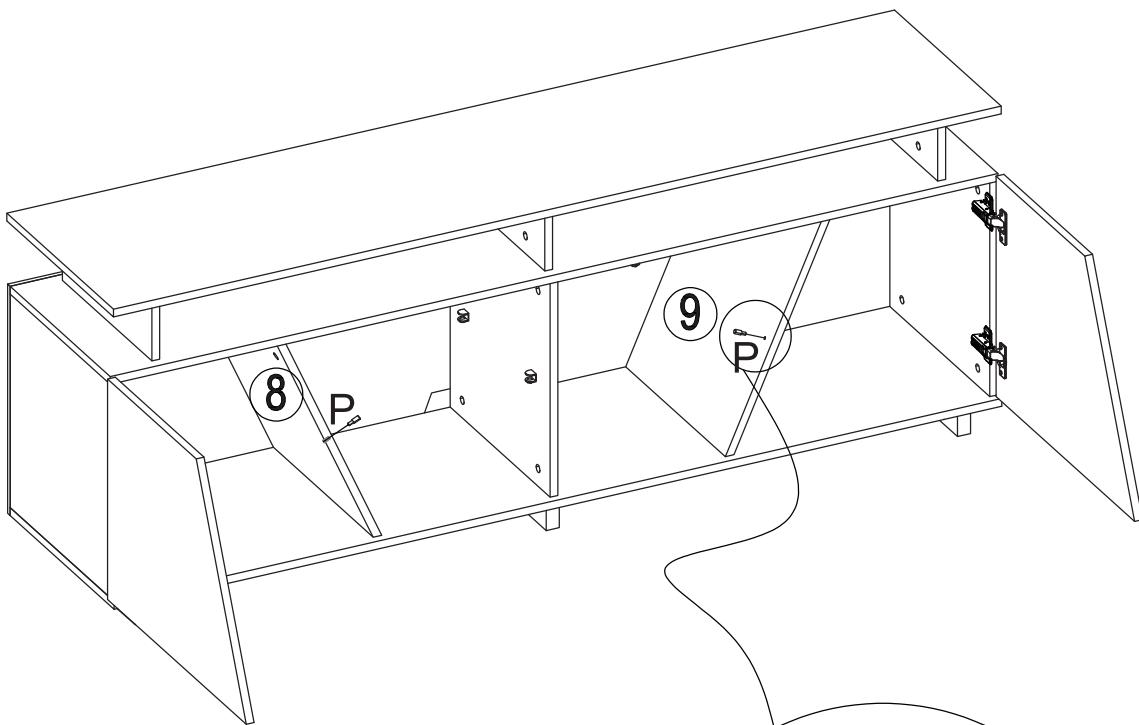
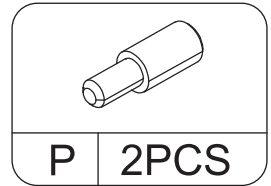
 **STEP 19**

	
N	6PCS



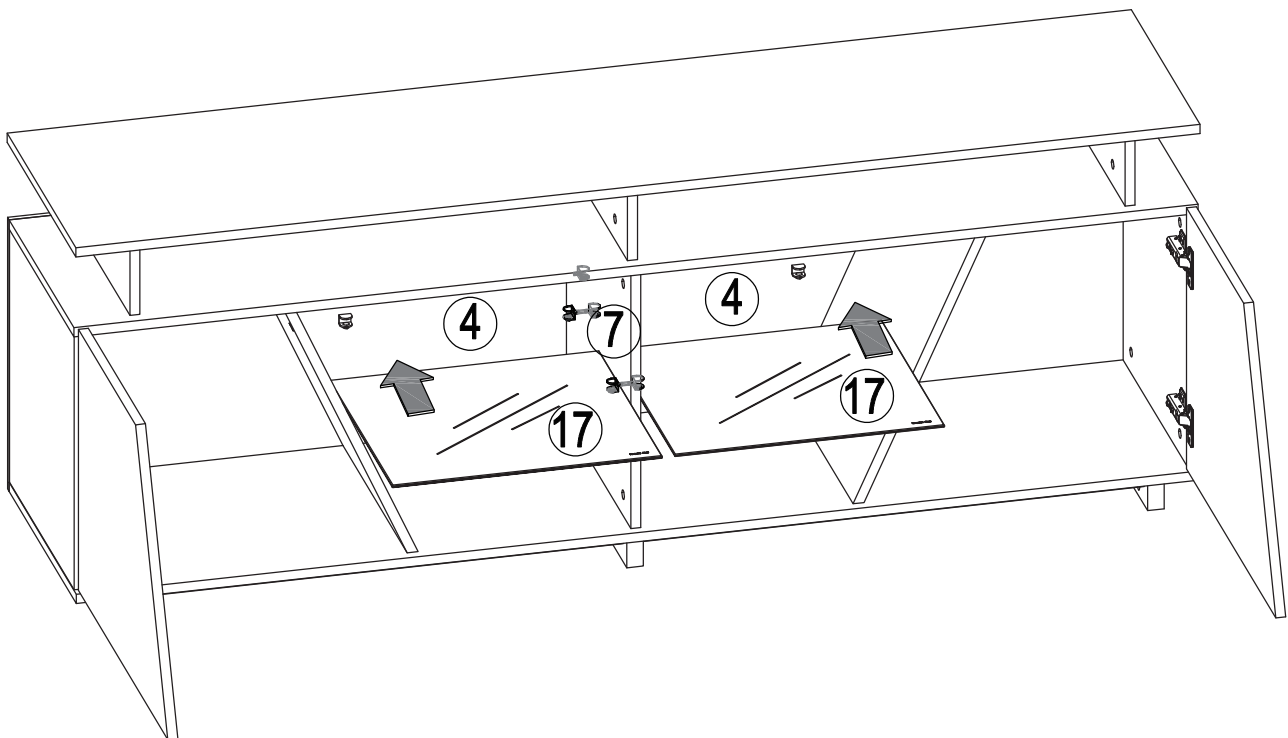
INSTALLATION STEPS

 **STEP 20**



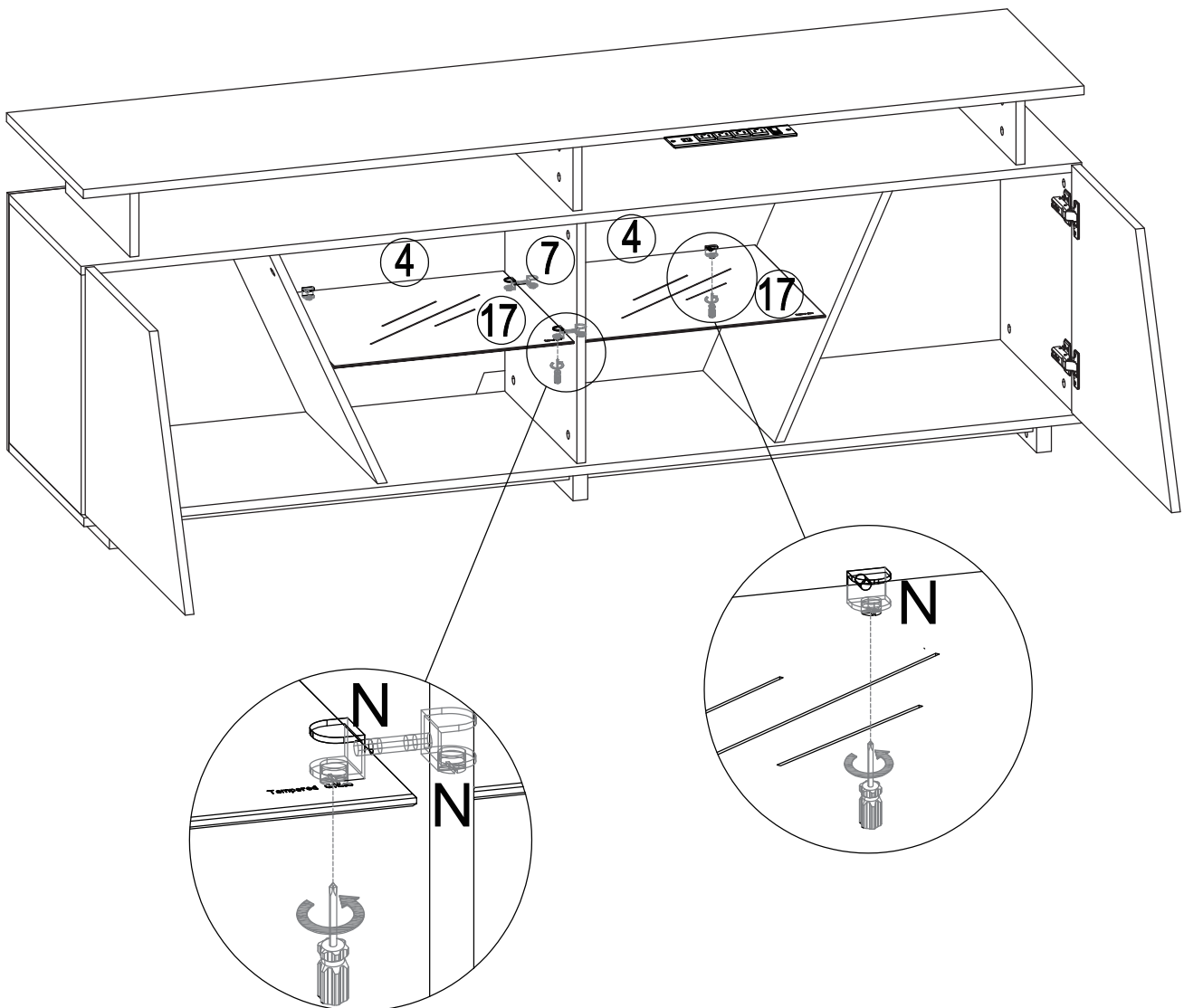
INSTALLATION STEPS

 STEP 21



INSTALLATION STEPS

 **STEP 22**



Warning:
Please double check and make sure all screws are firmly fixed before use