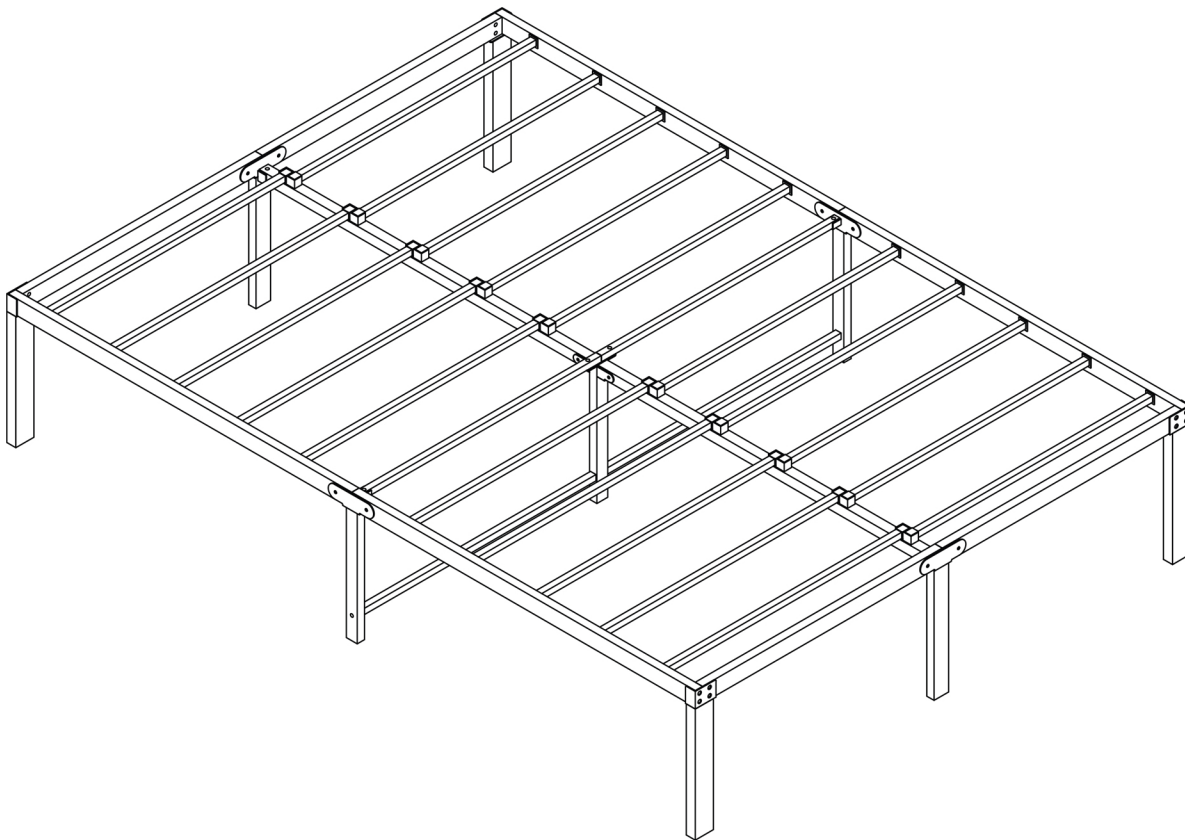


ASSEMBLY INSTRUCTION

MODEL NUMBER : BF-930F



WARRANTY:

We stand behind our products & service with confidence! If parts damaged or missing please feel free to contact us for a FREE REPLACEMENT.

We warranty this product to be free from defects in materials. This warranty covers one year from the date of original purchase.

NOTES:



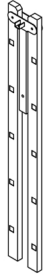


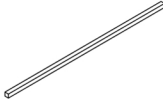
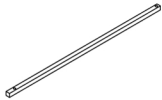
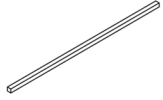
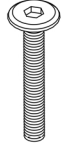
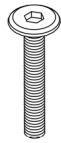
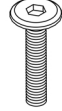
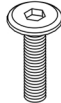


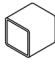
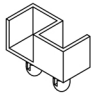

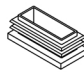

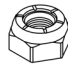


- The item is only intended to be used indoors. The product must be assembled and used in accordance with the provisions of the manual.
- It is recommended that assembly is undertaken by about 2 adults. Please read assembly instructions before assembly and strictly adhere to each step outlined. Estimated assembly time is 30 minutes.

WARNING:

- **WARNING FOR YOUNG CHILDREN** - This product contains small components, please ensure that they are kept away from small children while assembling.

1

PARTS LIST

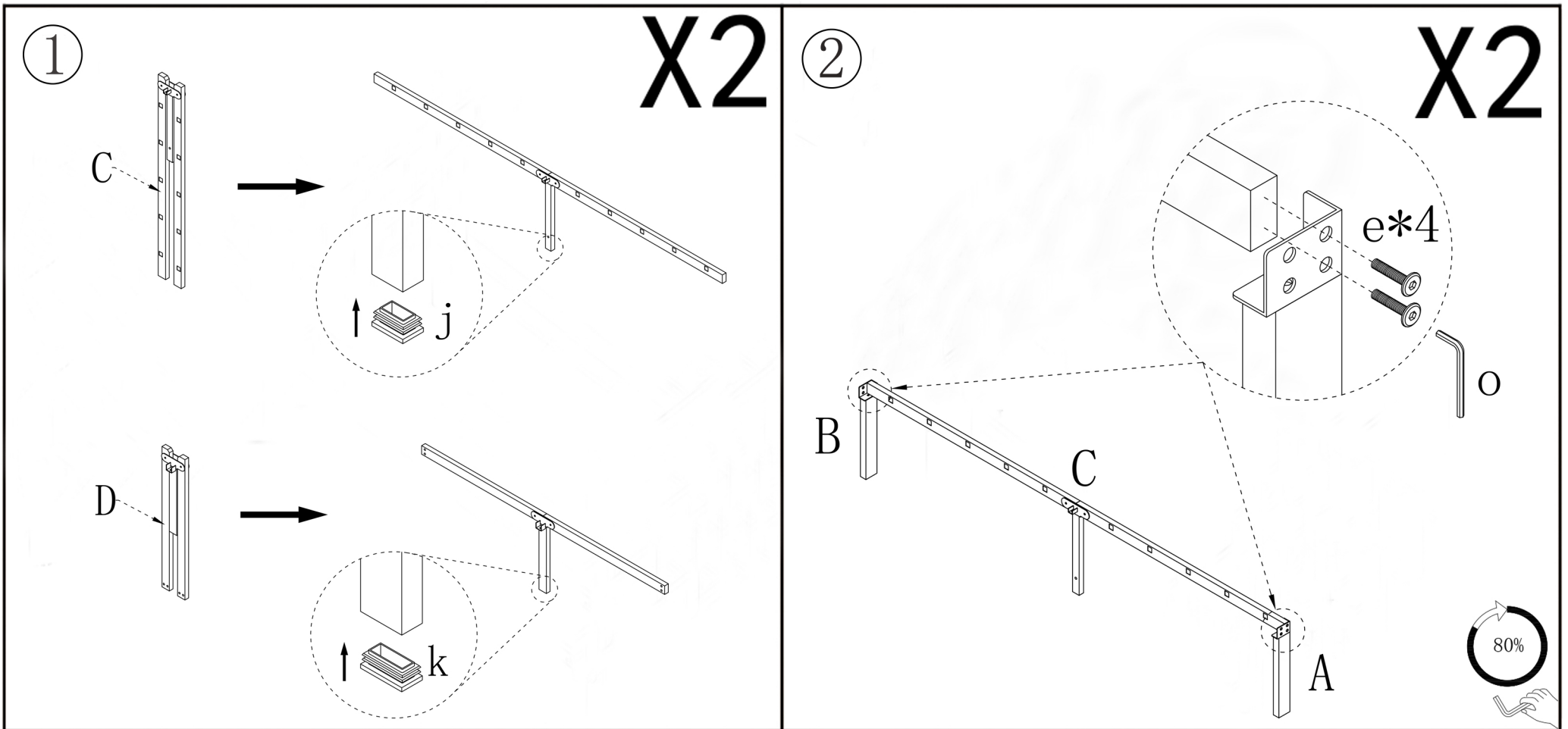
A	B	C	D	E	F	G	H	b	c	d	e
											
2PCS	2PCS	2PCS	2PCS	1PC	20PCS	2PCS	2PCS	1/4*40 2PCS	1/4*35 10PCS	1/4*28 4PCS	1/4*23 8PCS
f	g	h	i	j	k	m	n	o	p		
											
1/4*55 1PC	20PCS	20PCS	10PCS	20/30 3PCS	20/40 2PCS	4PCS	14PCS	1PC	1PC		

IMPORTANT:

Please check parts list before you start to assembly. If parts damaged or missing. Contact your seller for a FREE REPLACEMENT. Please provide your order number, a brief message about the issue, and your shipping address. Thank you!

2

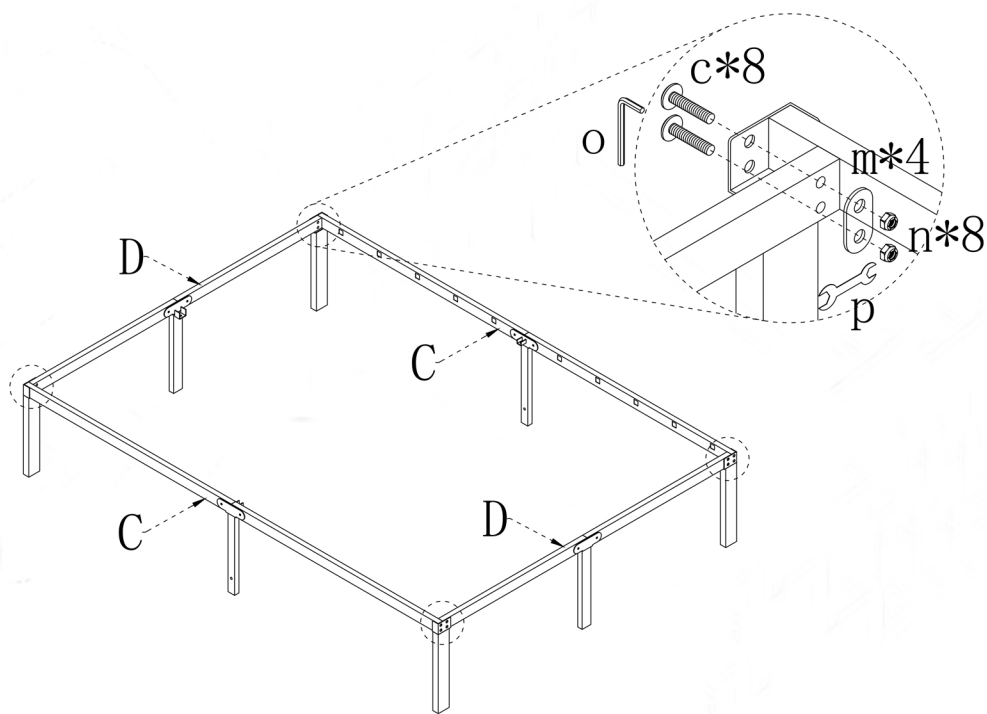
NOTE: PLEASE DO NOT TIGHTEN THE BOLTS UNTIL ALL FIXED



3

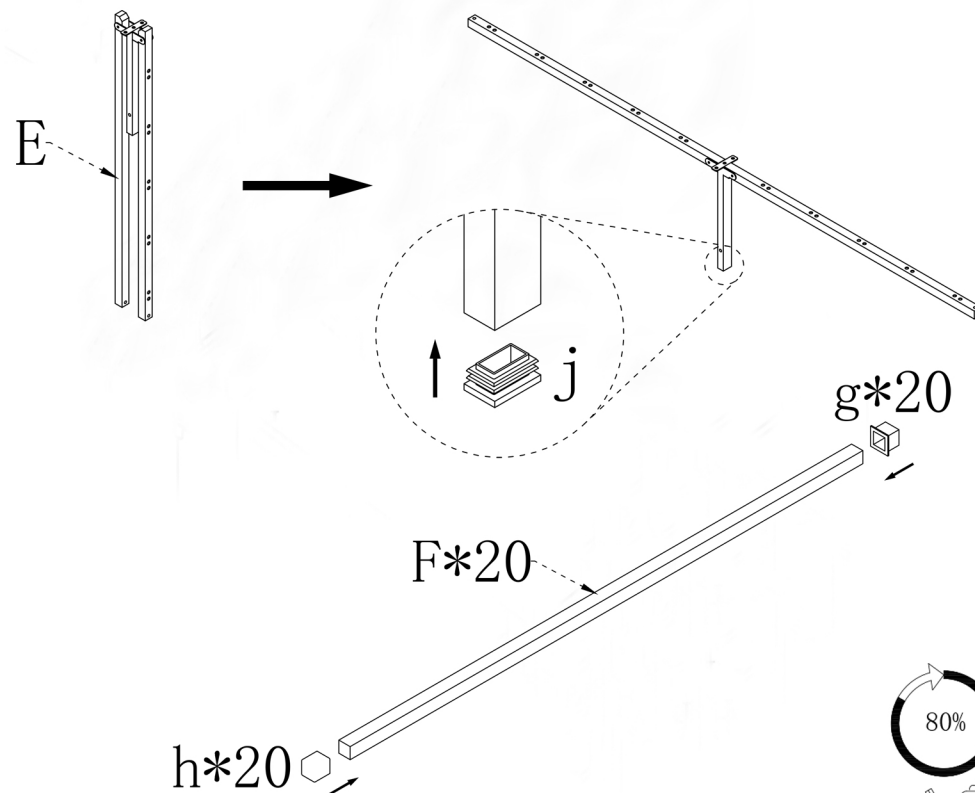
NOTE: PLEASE DO NOT TIGHTEN THE BOLTS UNTIL ALL FIXED

3



Use tools "o" and "p" to lock "c", "m", and "n" together

4

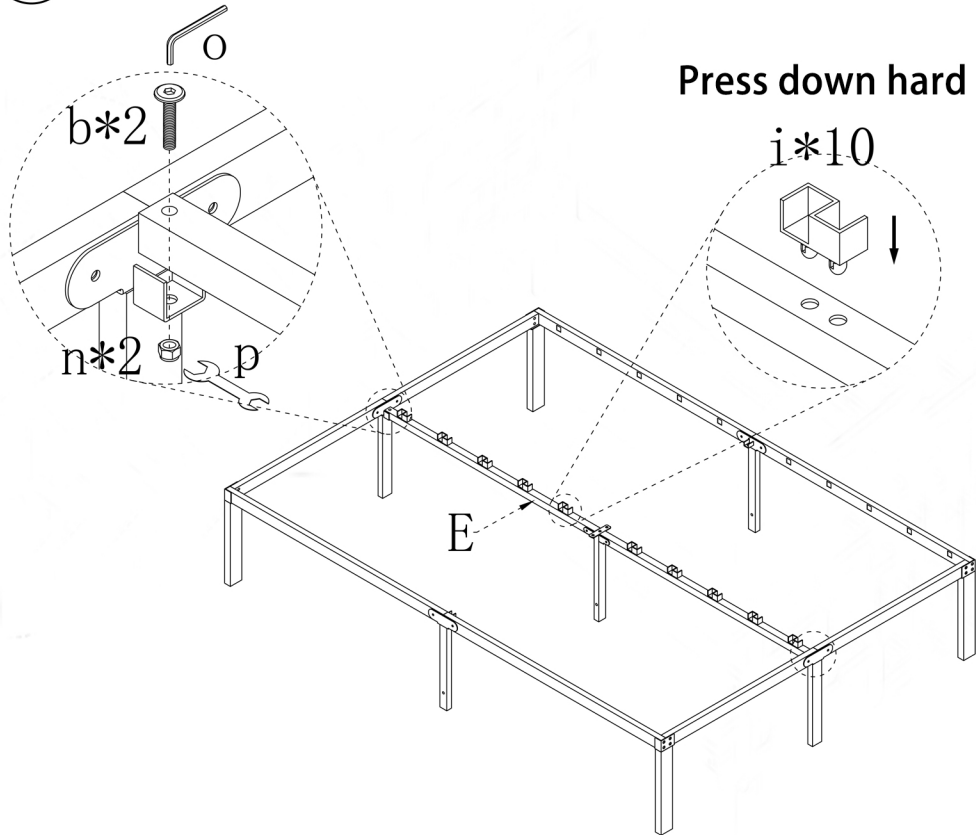


80%

4

NOTE: PLEASE DO NOT TIGHTEN THE BOLTS UNTIL ALL FIXED

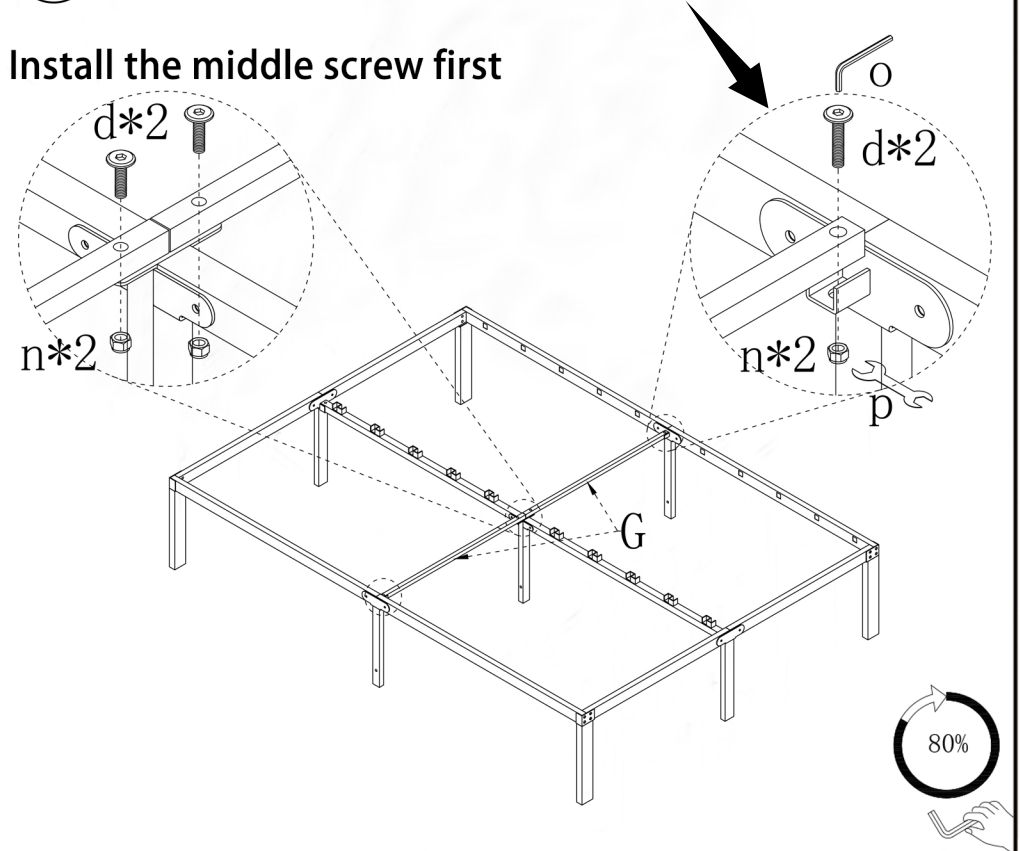
5



6

Then install the screws on both sides

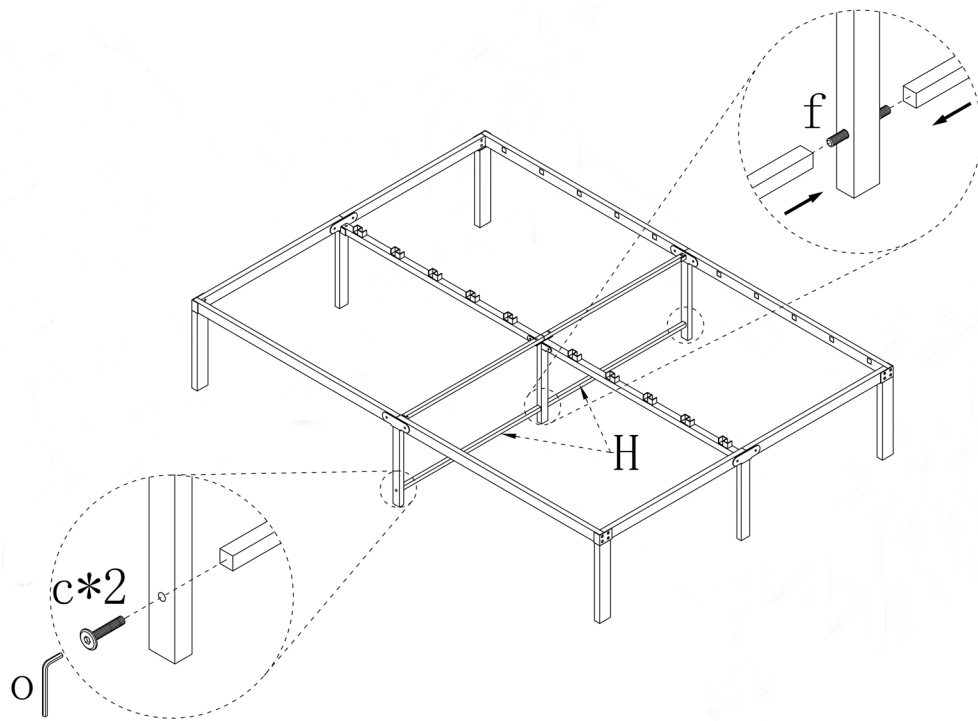
Install the middle screw first



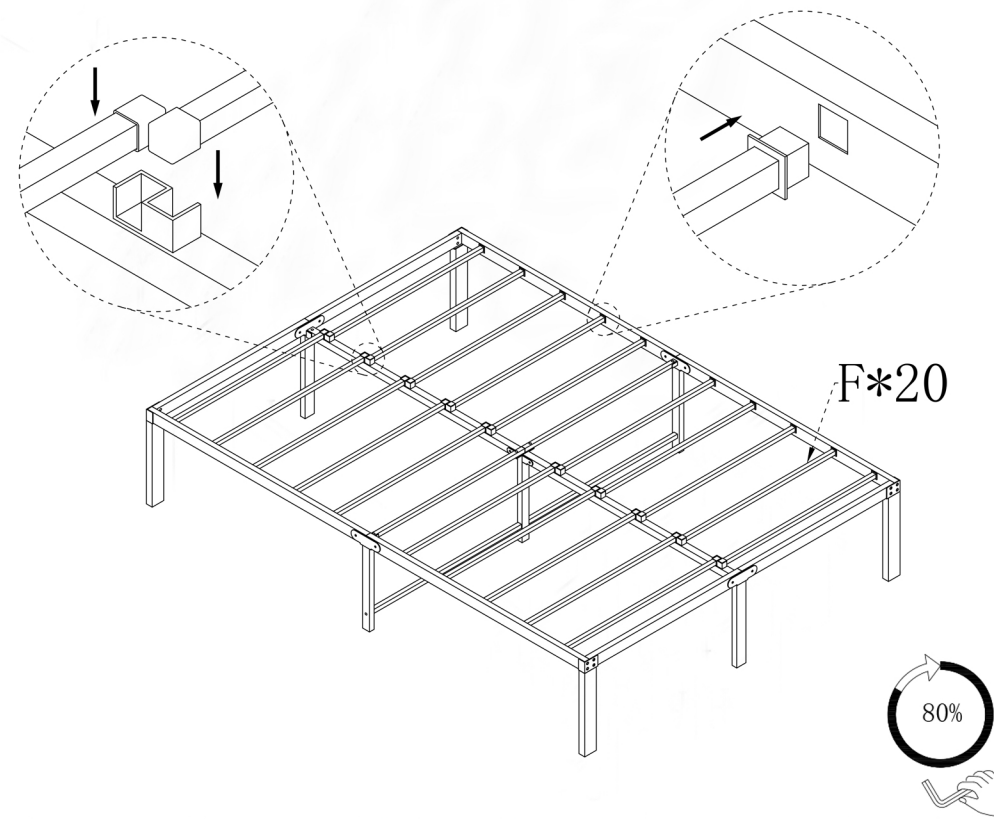
5

NOTE: PLEASE DO NOT TIGHTEN THE BOLTS UNTIL ALL FIXED

7



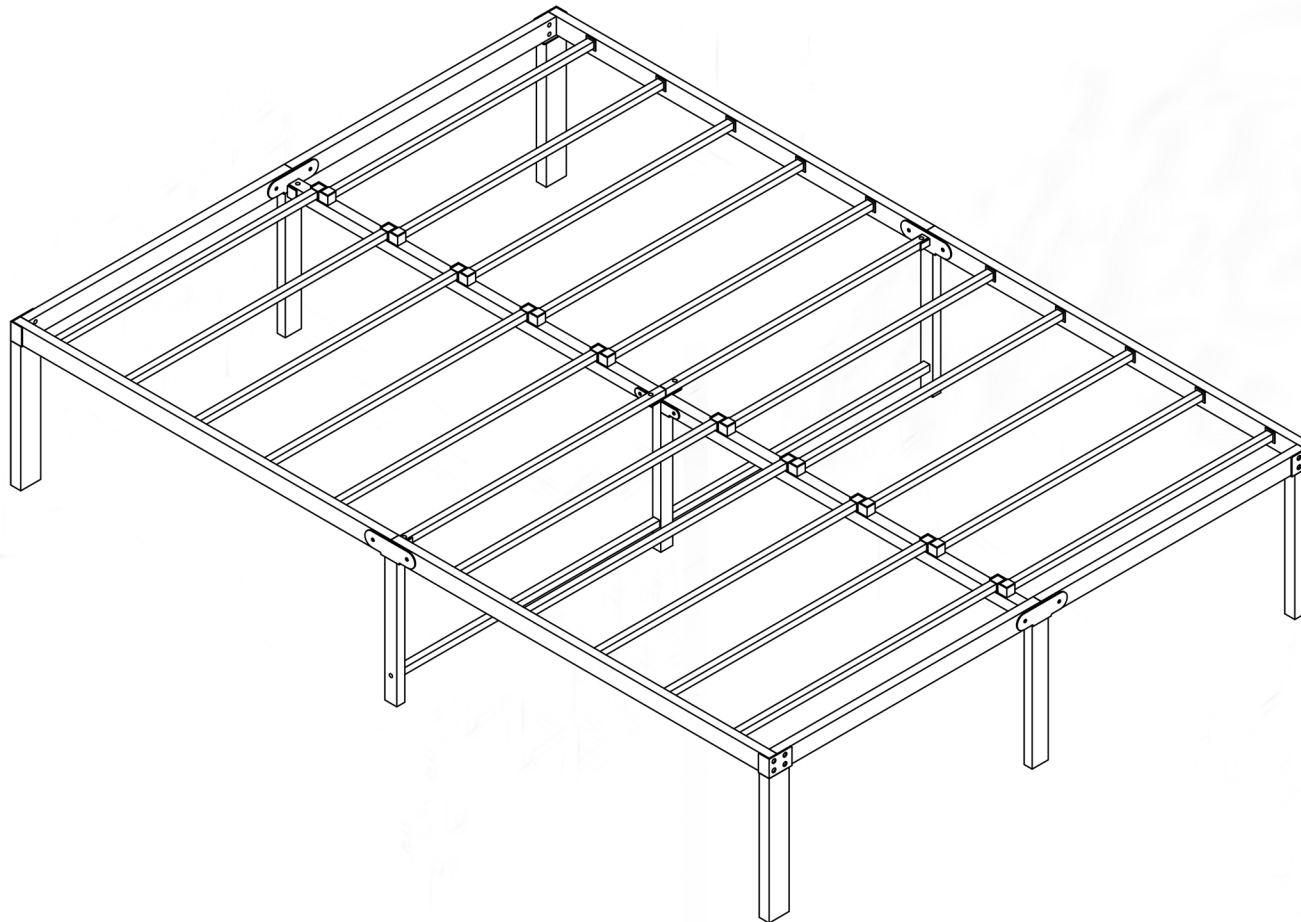
8



6

NOTE: PLEASE DO NOT TIGHTEN THE BOLTS UNTIL ALL FIXED

9



IMPORTANT: Please completely tighten all the bolts and nuts.