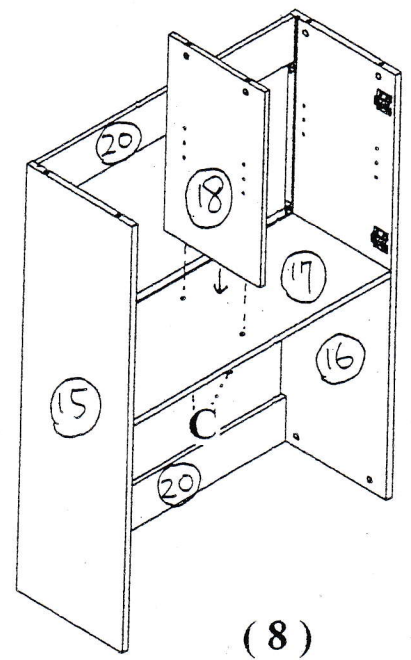
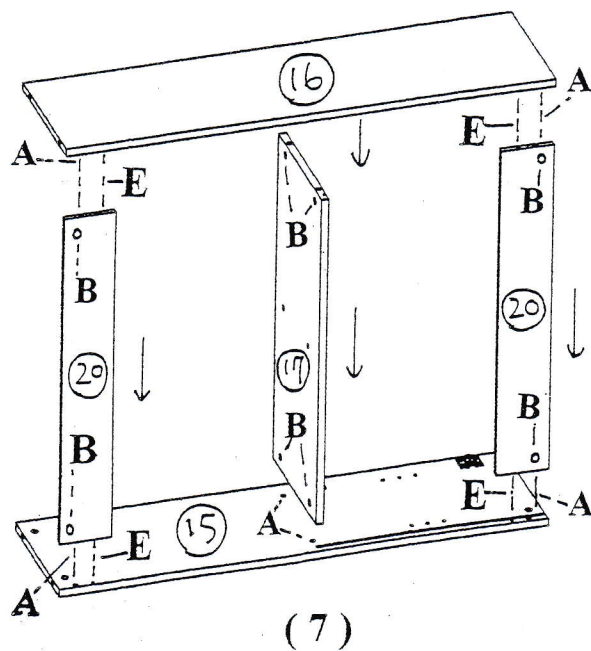
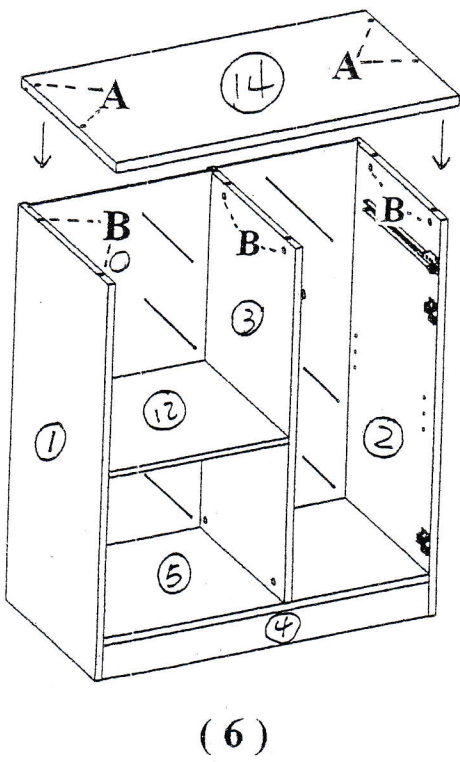
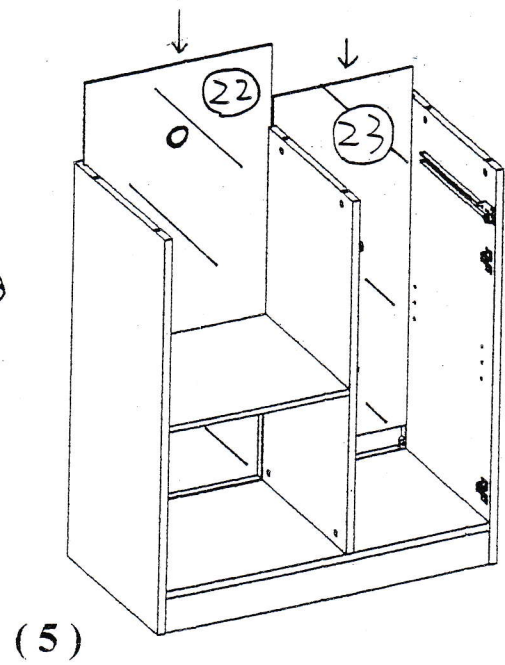
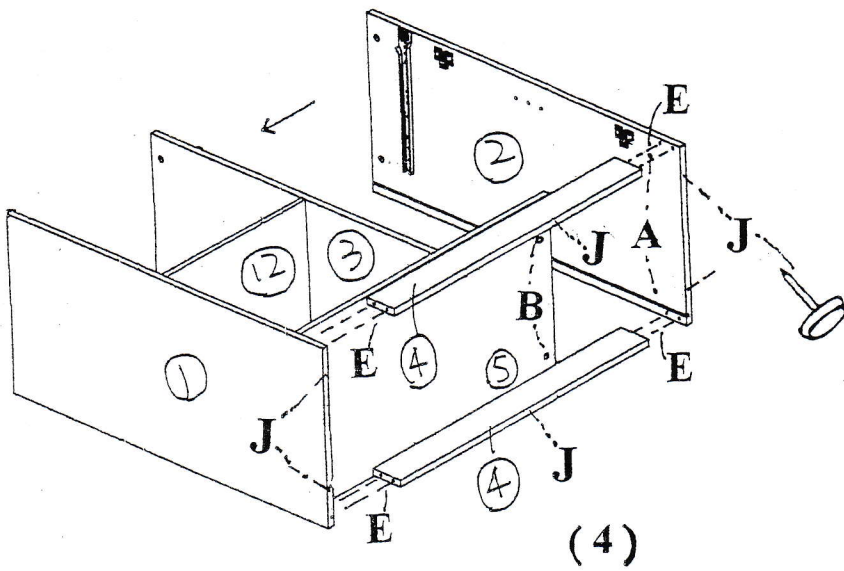
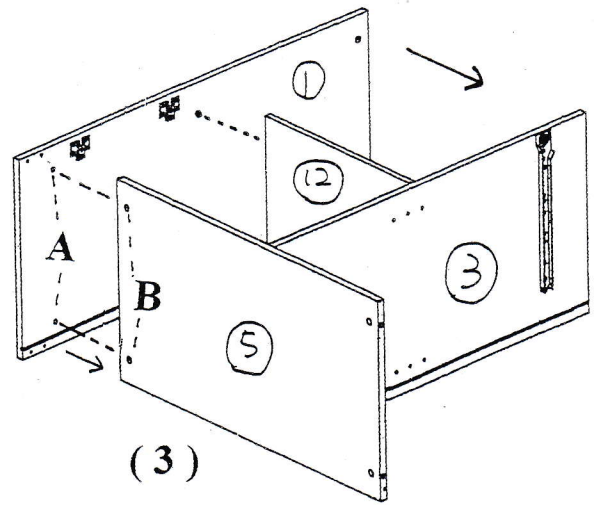
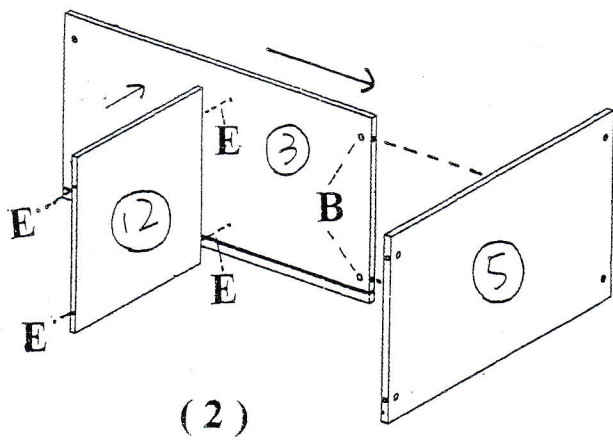


12255 12258
 12256 12259

(1)

ITEM NO:

P.4-1

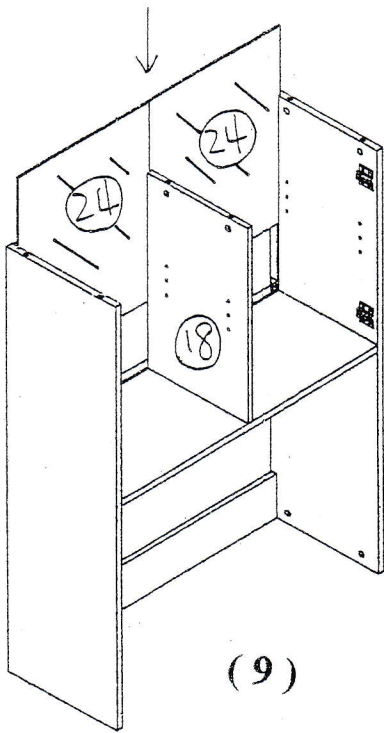


12255 12258

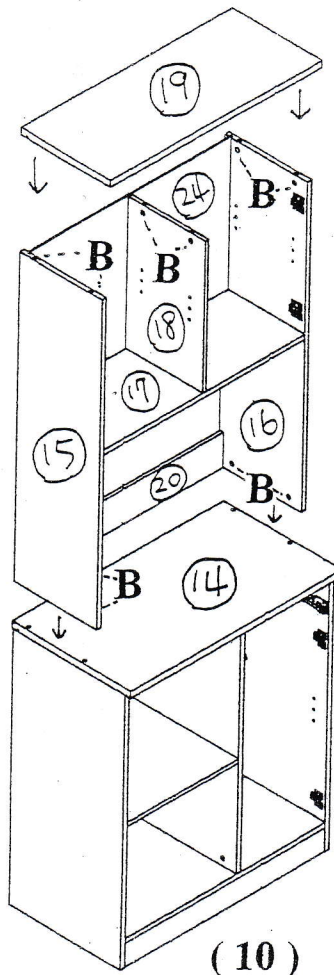
12256 12259

ITEM NO:

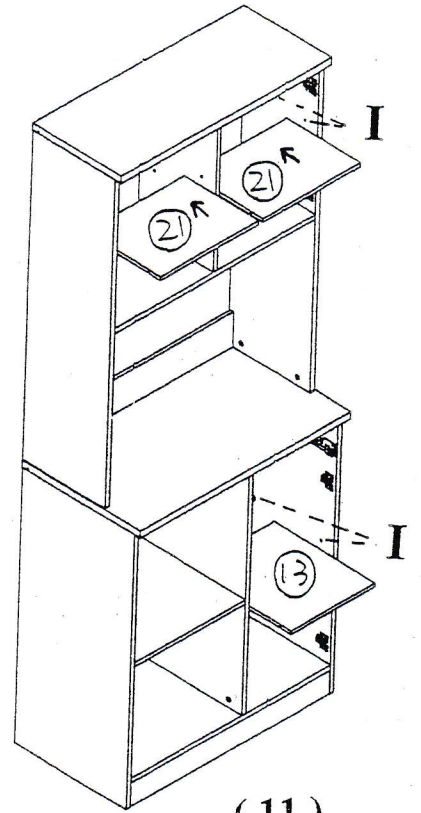
P4-2



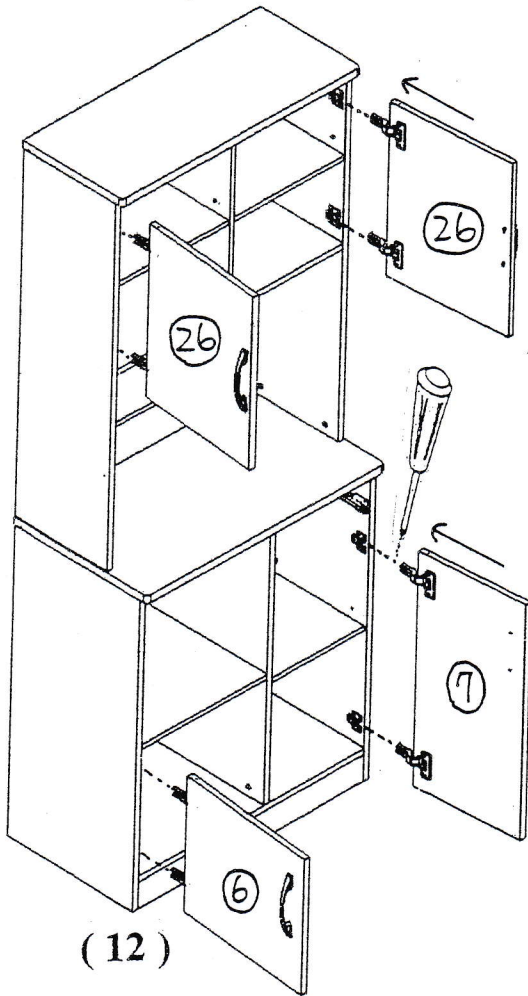
(9)



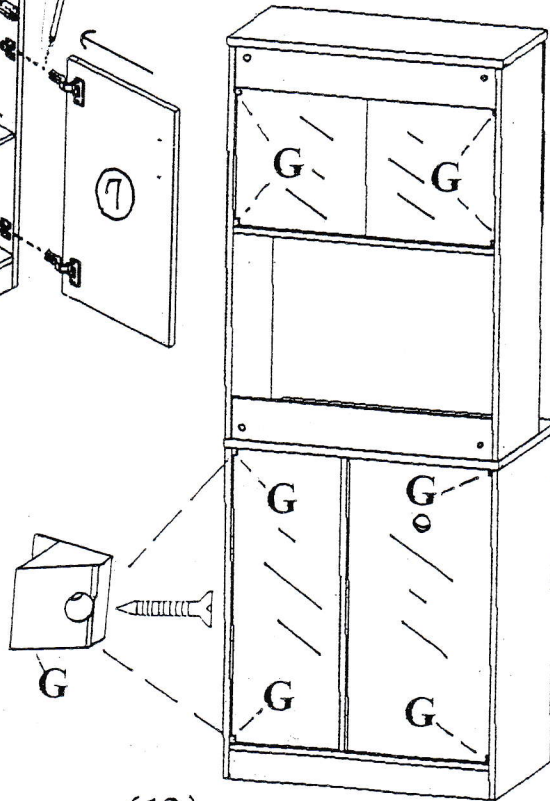
(10)



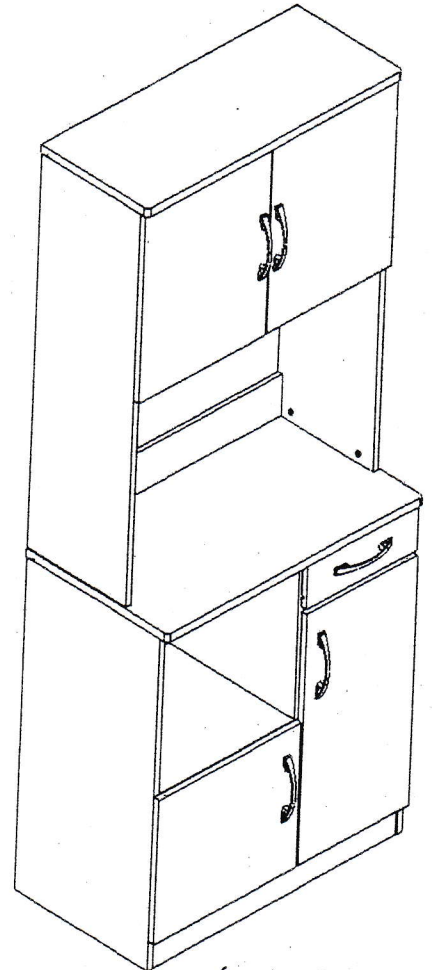
(11)



(12)



(13)



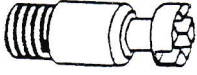
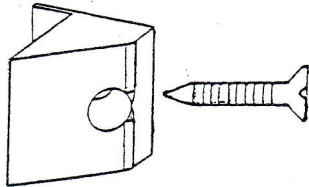

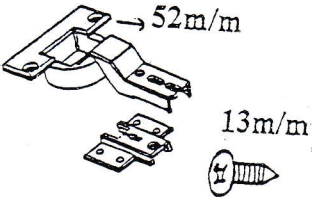

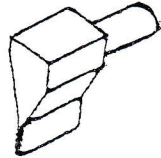
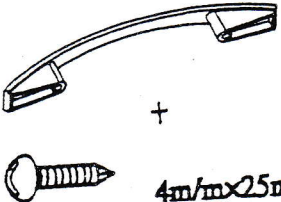

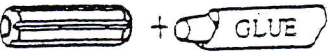





(14) OK

12255 12258

12256 12259

ITEM NO:

P4-3

A	 39m/m	32 PS	G		8PS+8PS
B	 12m/m	32 PS	H		8 SETS 13 m/m=48PS
C	 32m/m	6 PS	I		12 PS
D	 + 4m/m×25m/m	5PS+10PS	J		6 PS
E	 8m/m×30m/m	18PS+1PS	12255		
F	(L)  (R)  (L)  (R)   11m/m	300m/m 1 PS (L) 1 PS (R) 1 PS (L) 1 PS (R) 12PS	ITEM NO: 12258 12259		