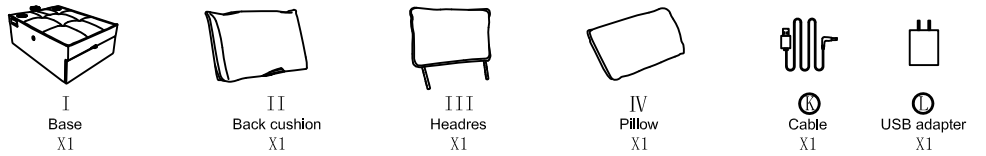
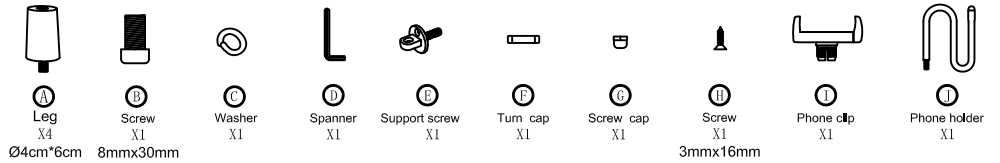
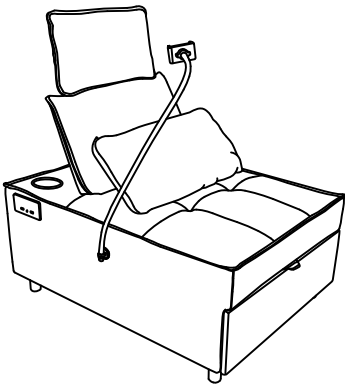
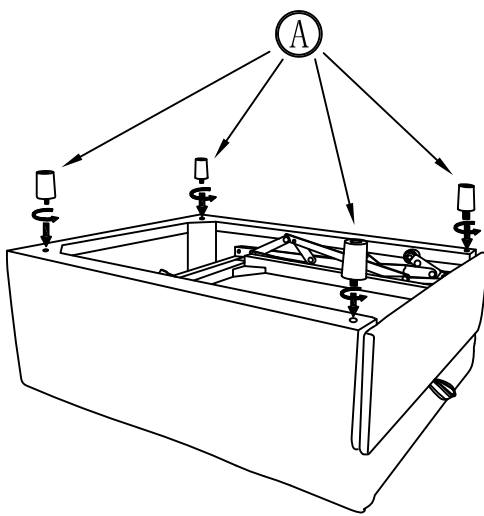


2025 Tub speaker sofa Assembly Instruction

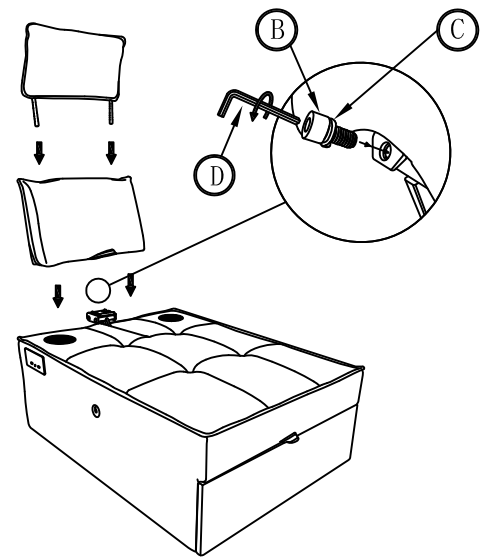


1



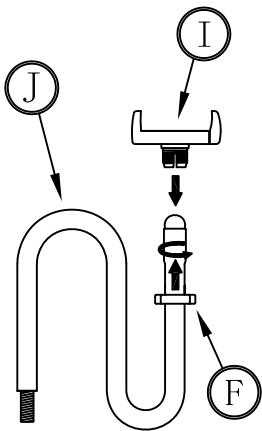
Assemble the legs(A) when open the box from the bottom

2

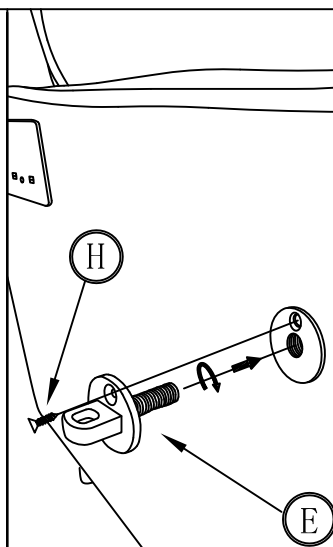


Use spanner(D) with screw(B) and washer(C) to assemble the backcushion(II) on the top of the base(I)
Pull the headrest(III) into the backcushion

3



4



5

