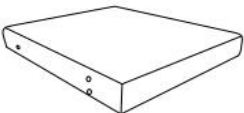

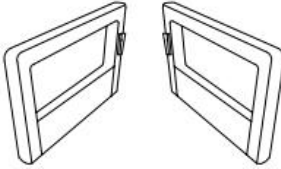



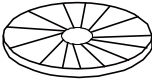
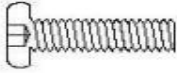
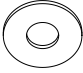


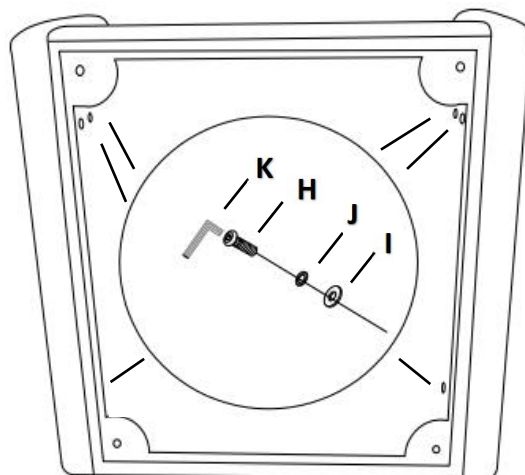
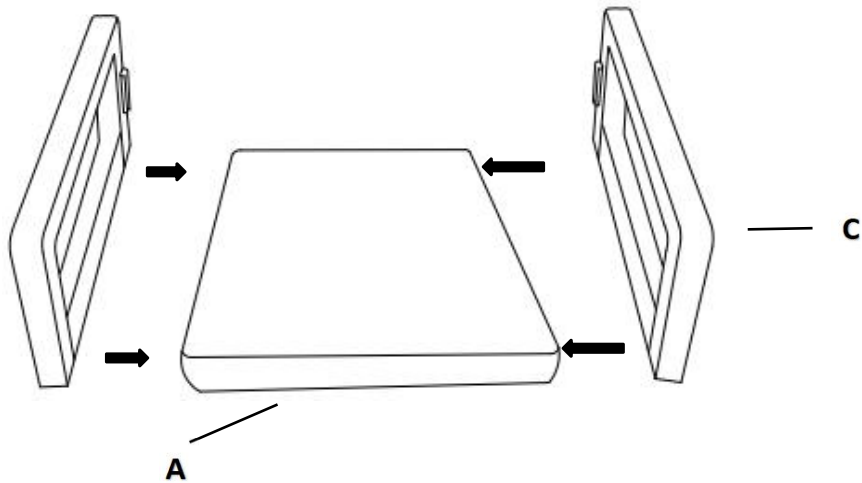
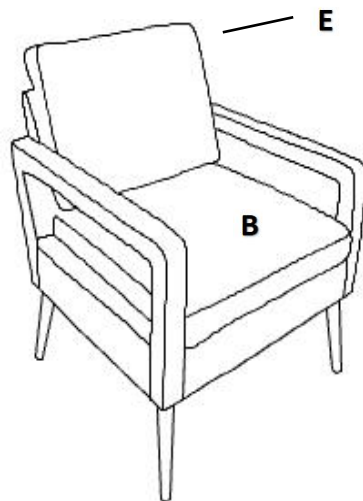
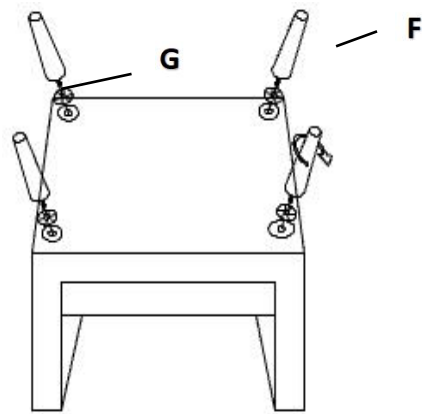
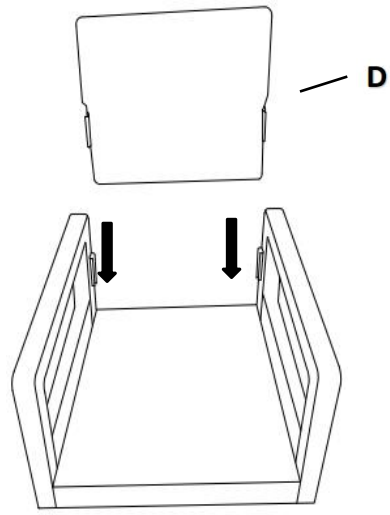


ASSEMBLY INSTRUCTIONS

| | | | | |
|-----------------------|---|---|--|---|
| P a r t s |  A*1pc |  B*1pc |  C*2pcs |  1 |
| |  E*1pc |  F*4pcs |  G*4pcs |  $\frac{5}{16} \times 50$ 6 p c s |
| |  I*6pcs |  J*6pcs |  K*1pc | |





Cleaning and Care Guide

FABRIC SOFA

FOLLOWING THESE FEW BASIC STEPS WILL HELP YOU PROTECT YOUR INVESTMENT FOR YEARS OF ENJOYMENT TO COME

1. Keep upholstered furniture out of direct sunlight to avoid fading.
2. Fluff and rotate cushions regularly to prevent sagging and to distribute wear evenly.
3. Vacuum often or use soft bristled brush to remove dust and dirt.
4. Avoid using Dyes, Inks, Paints and Acids around your furniture.
5. Avoid leaving newspapers on fabric, Ink could transfer to the fabric.
6. Caution those wearing clothing with transferable Dyes, such as Blue Jeans, etc.
7. Spot clean or blot spills immediately with clean white cloth to prevent stains from setting.
8. Keep Pets Off the furniture.
9. Never remove cushions for dry cleaning or machine washing even though they have zippers.
10. Call a professional when cleaning an entire piece of upholstered furniture.