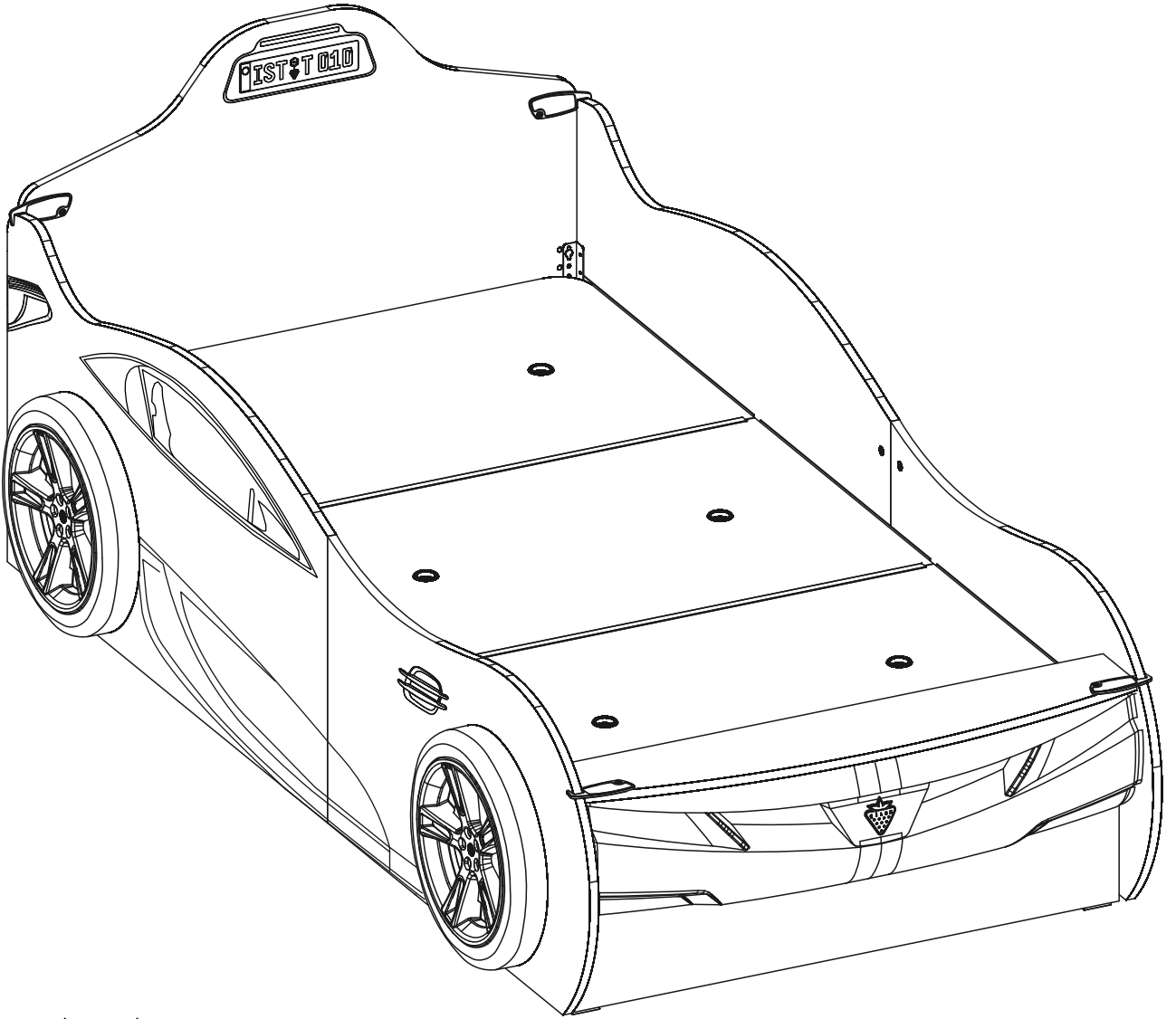


20.03.1327.00

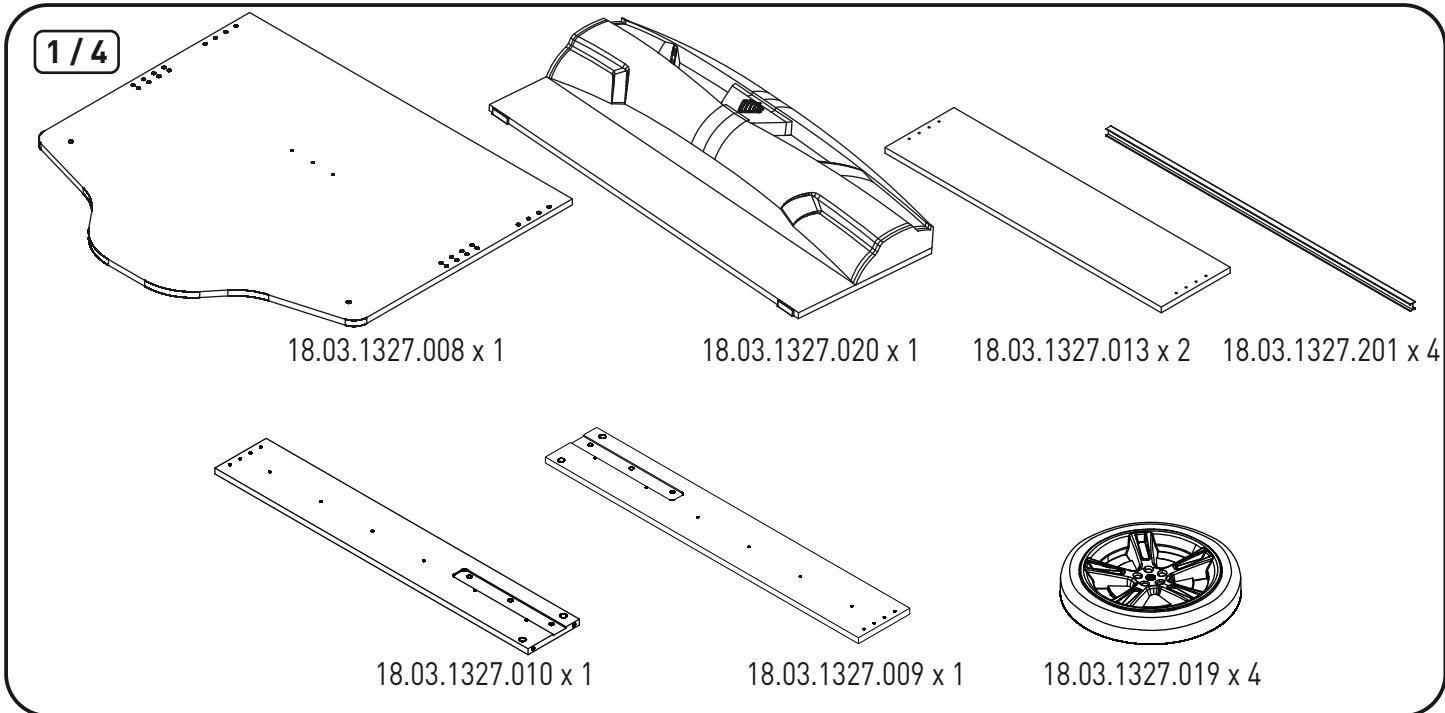
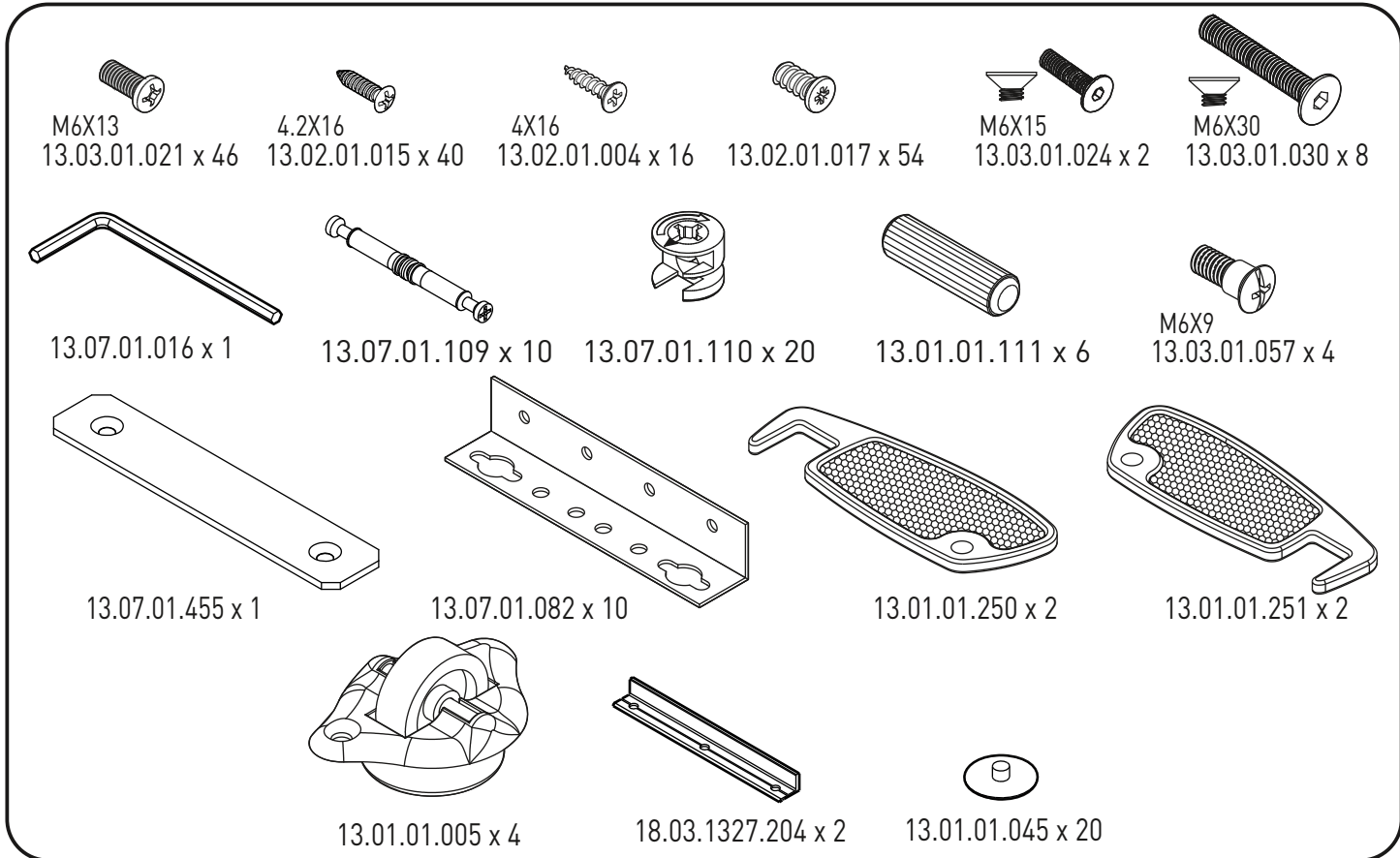
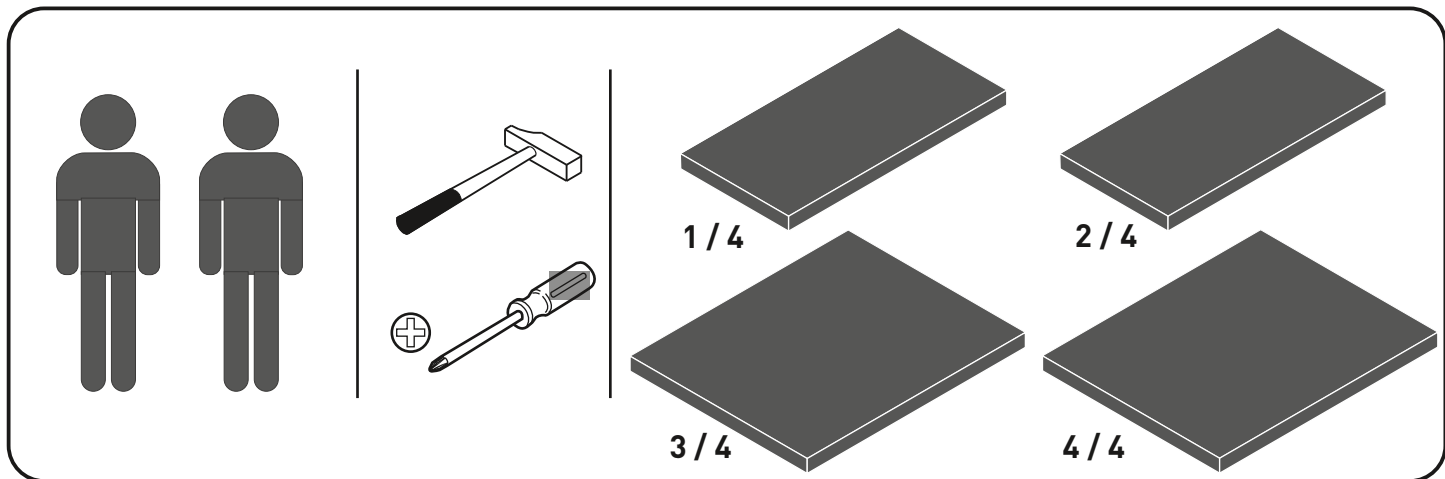


GARANTİ BELGESİ VE
KULLANMA KILAVUZU



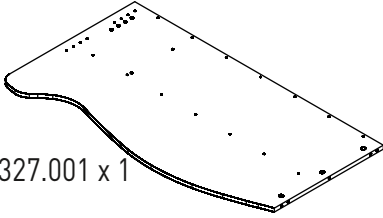
WARRANTY CERTIFICATE
AND USER MANUAL



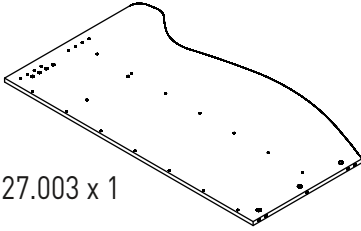


2/4

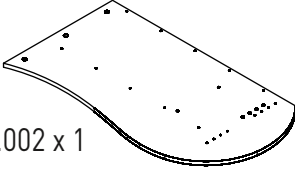
18.03.1327.001 x 1



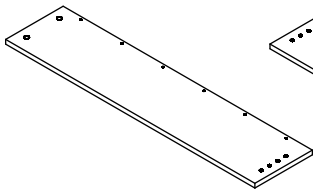
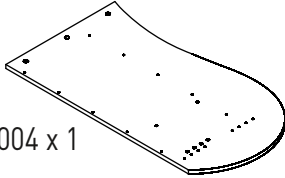
18.03.1327.003 x 1



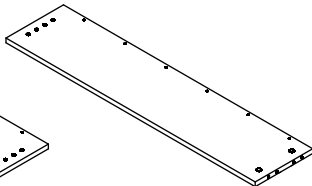
18.03.1327.002 x 1



18.03.1327.004 x 1



18.03.1327.014 x 1



18.03.1327.015 x 1

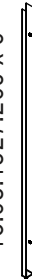
18.03.1327.203 x 1



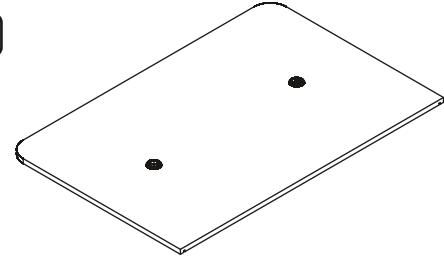
18.03.1327.202 x 5



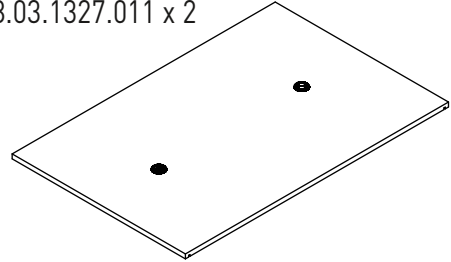
18.03.1327.205 x 6



3/4

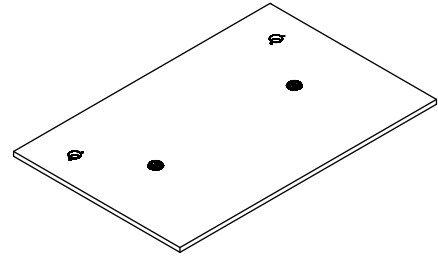


18.03.1327.011 x 2

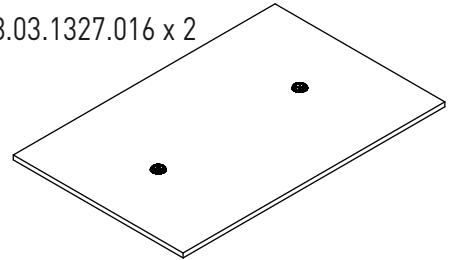


18.03.1327.012 x 1

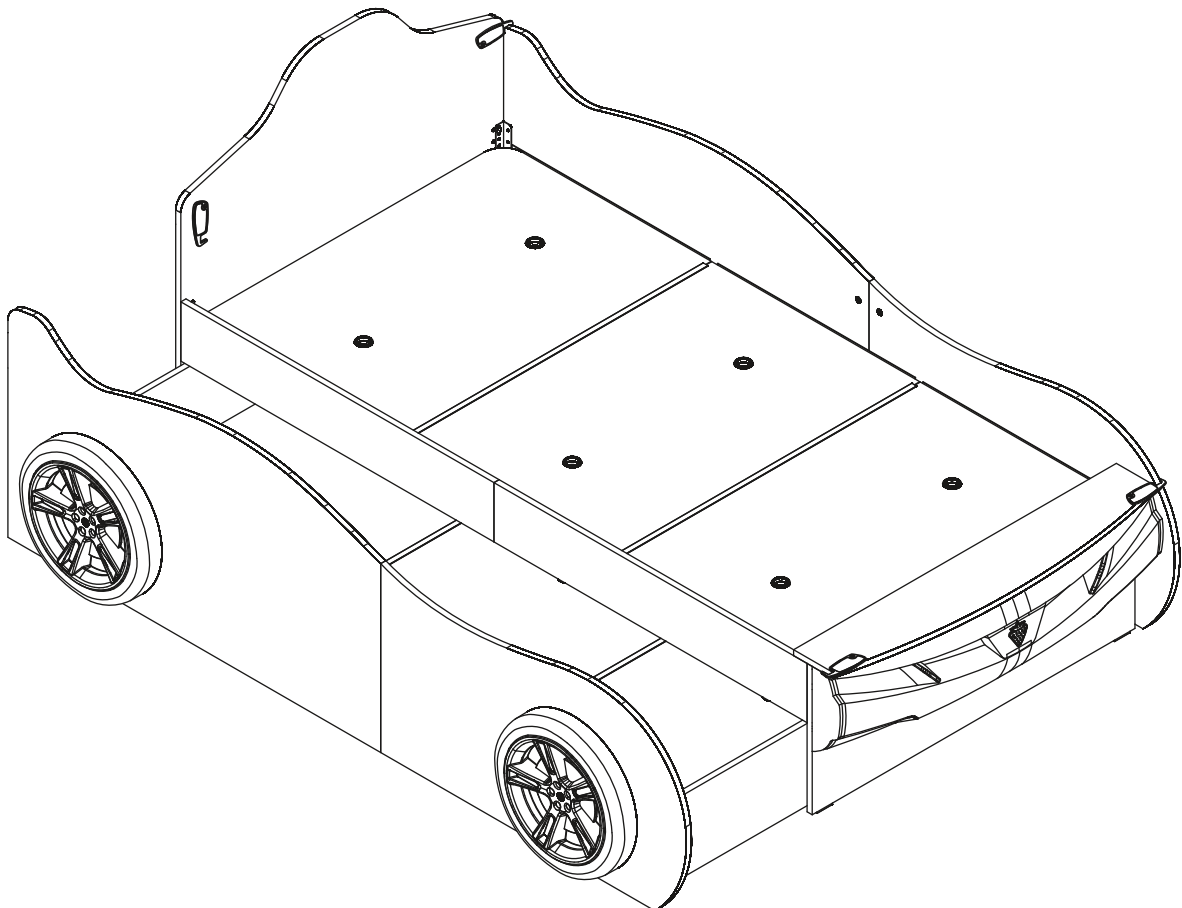
4/4



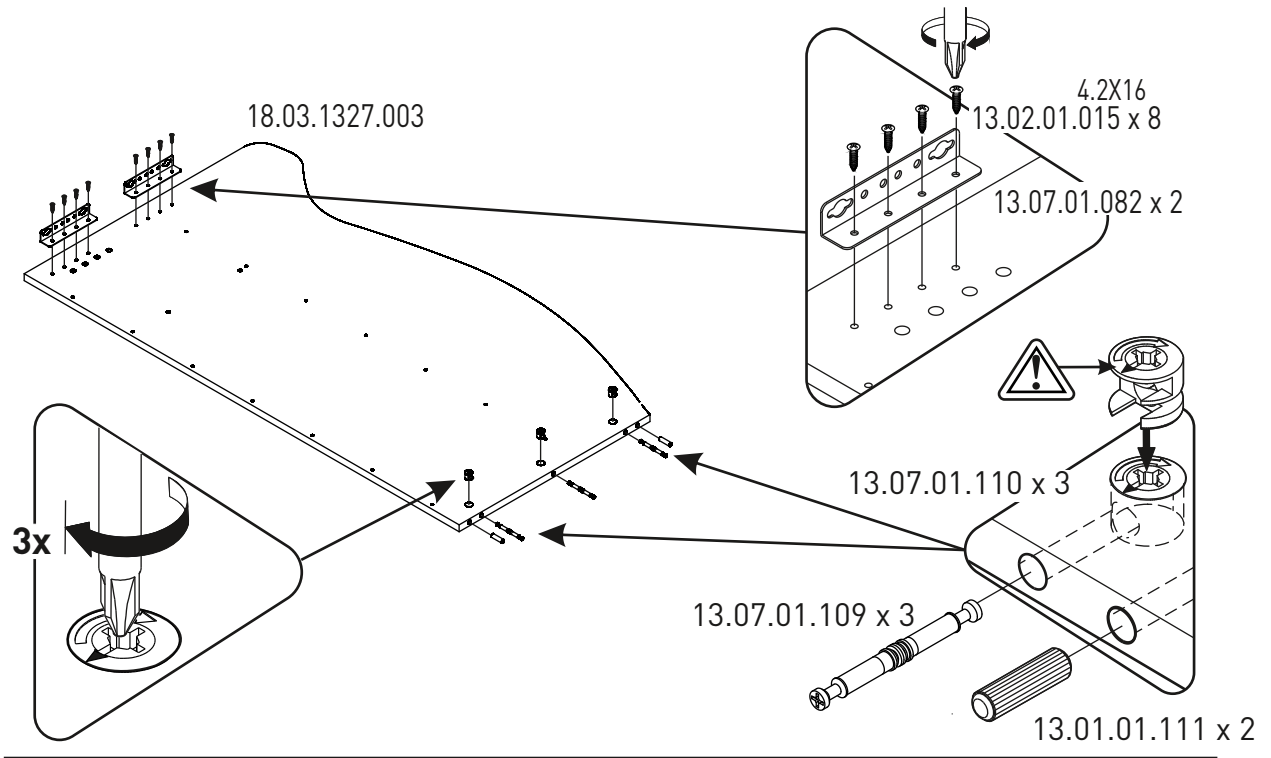
18.03.1327.016 x 2



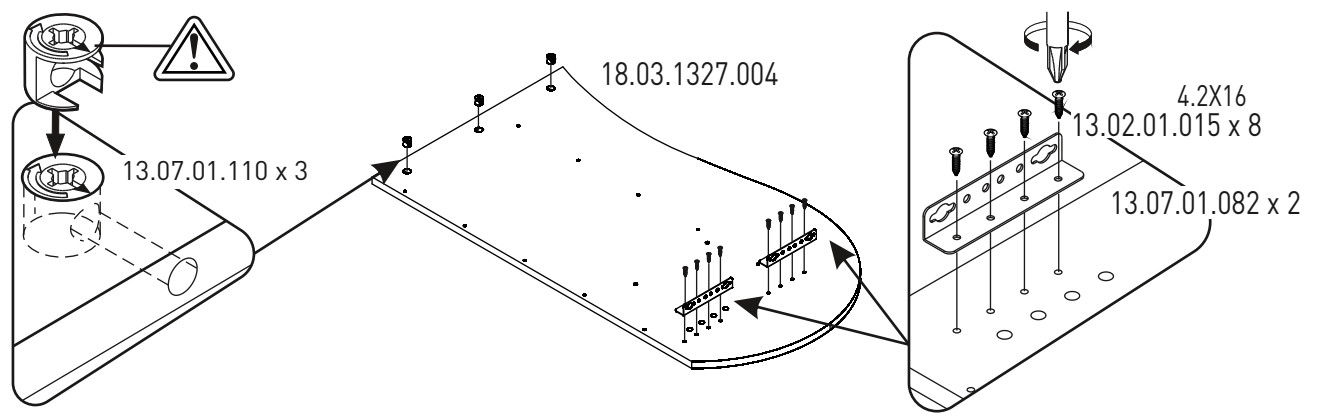
18.03.1327.017 x 1



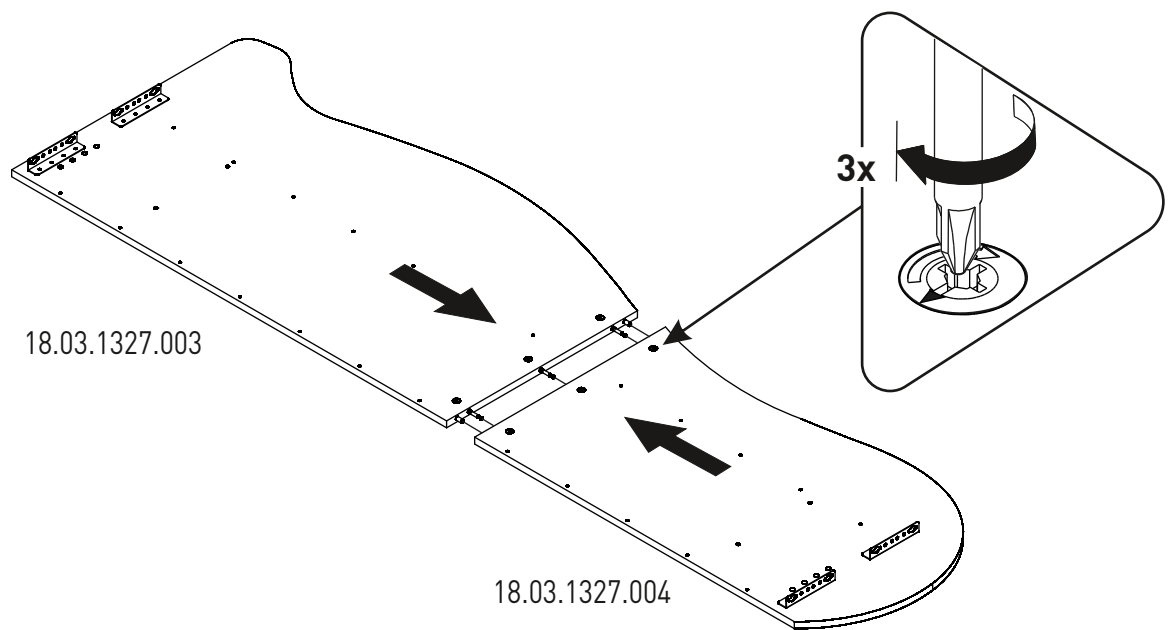
1



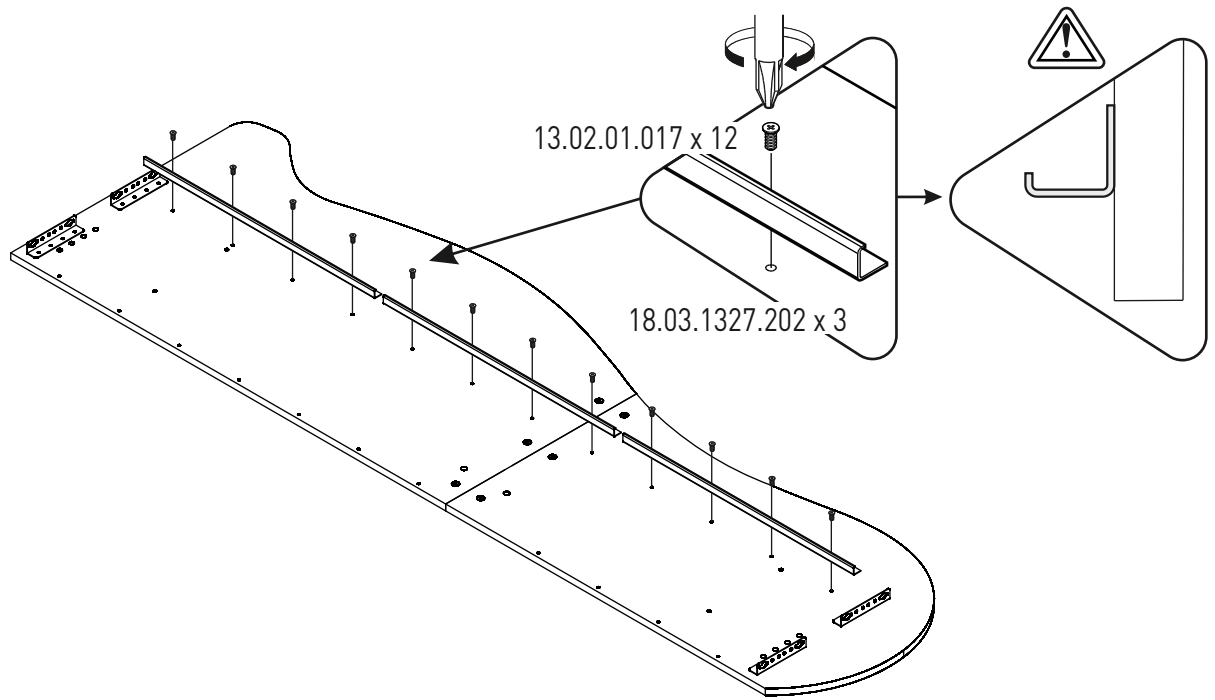
2



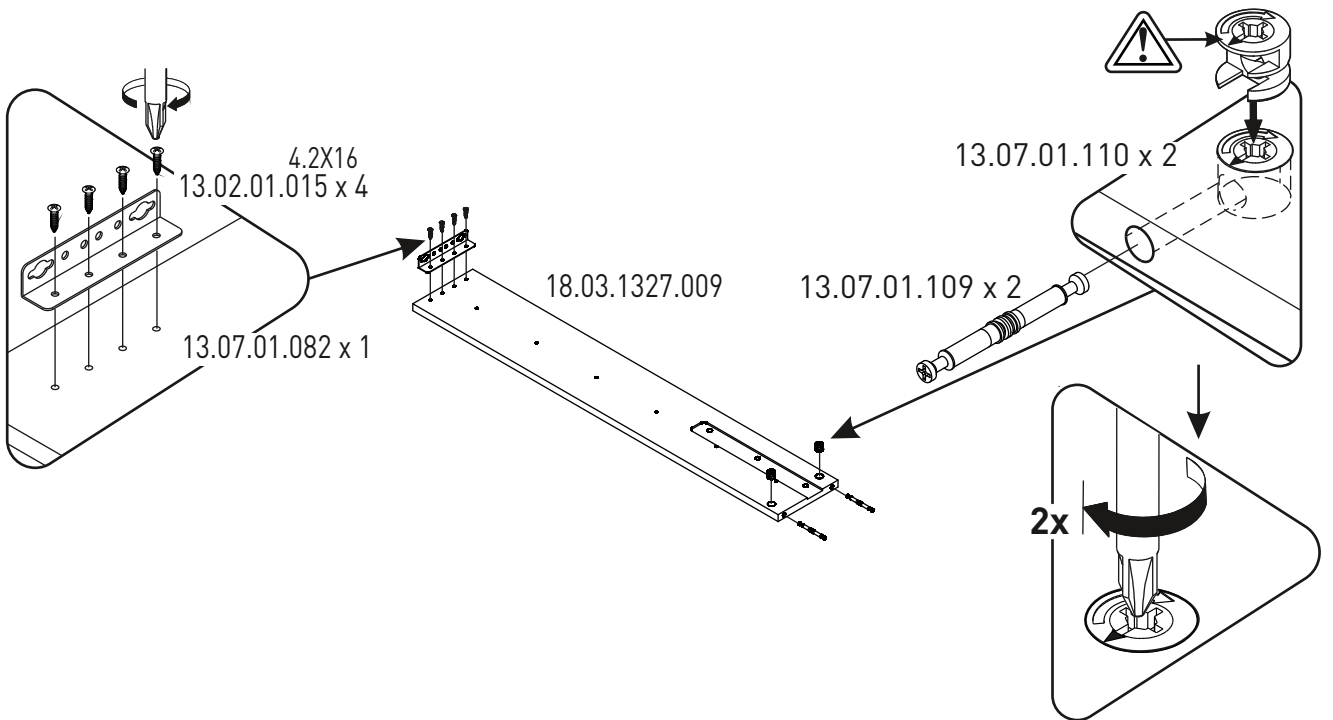
3



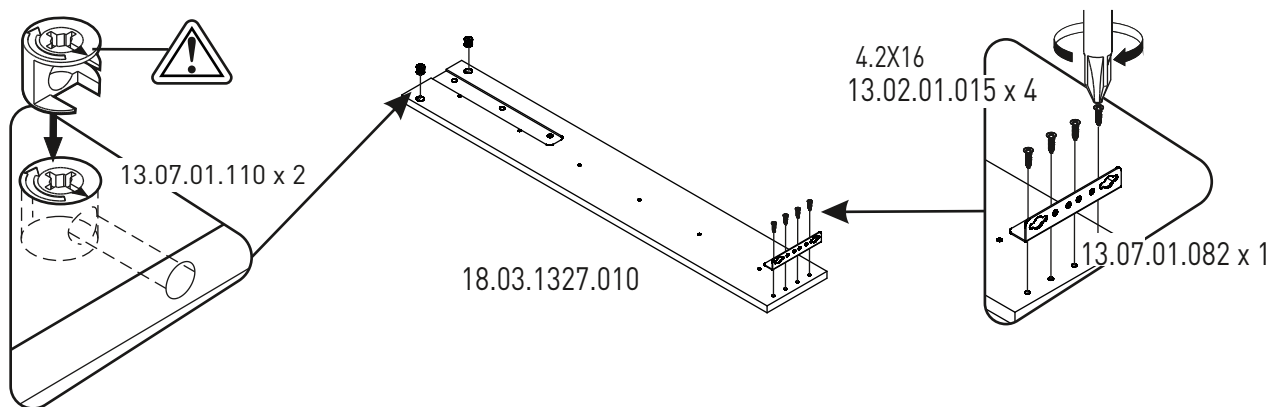
4



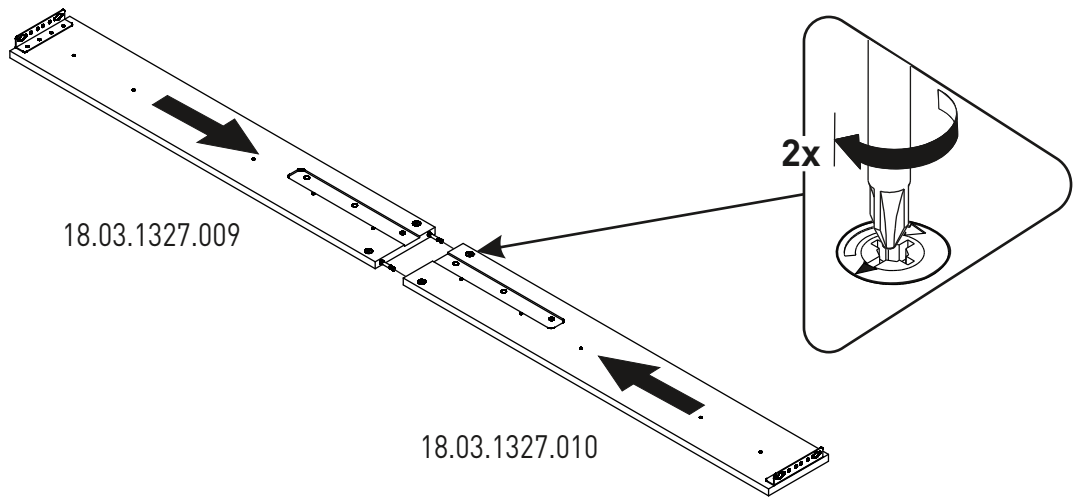
5



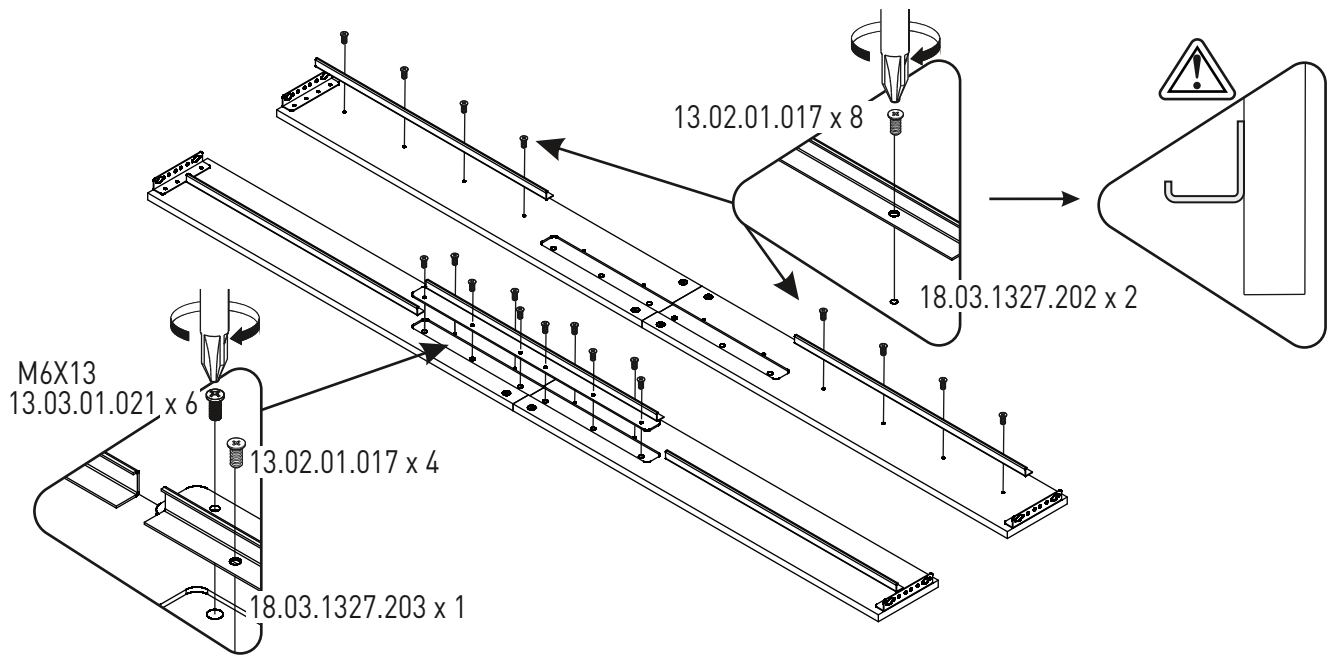
6



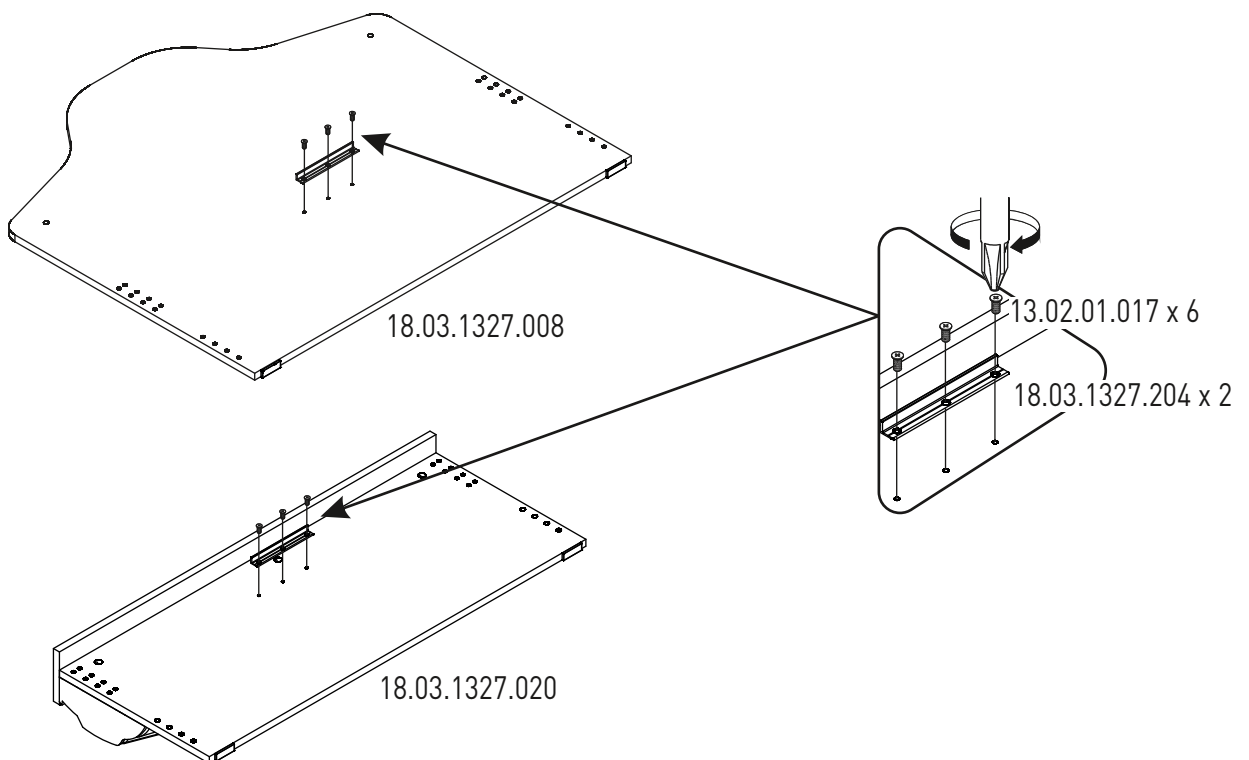
7

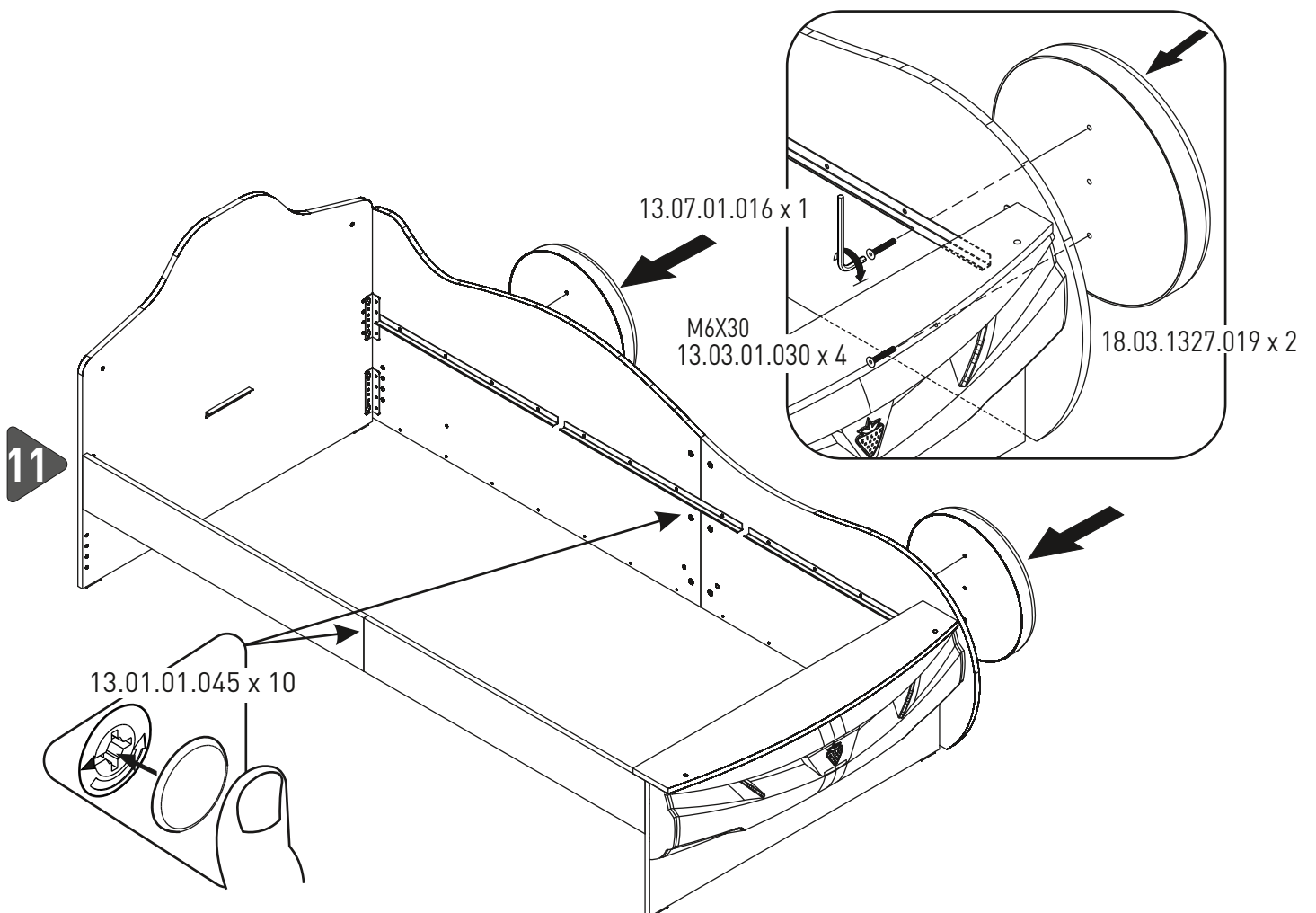
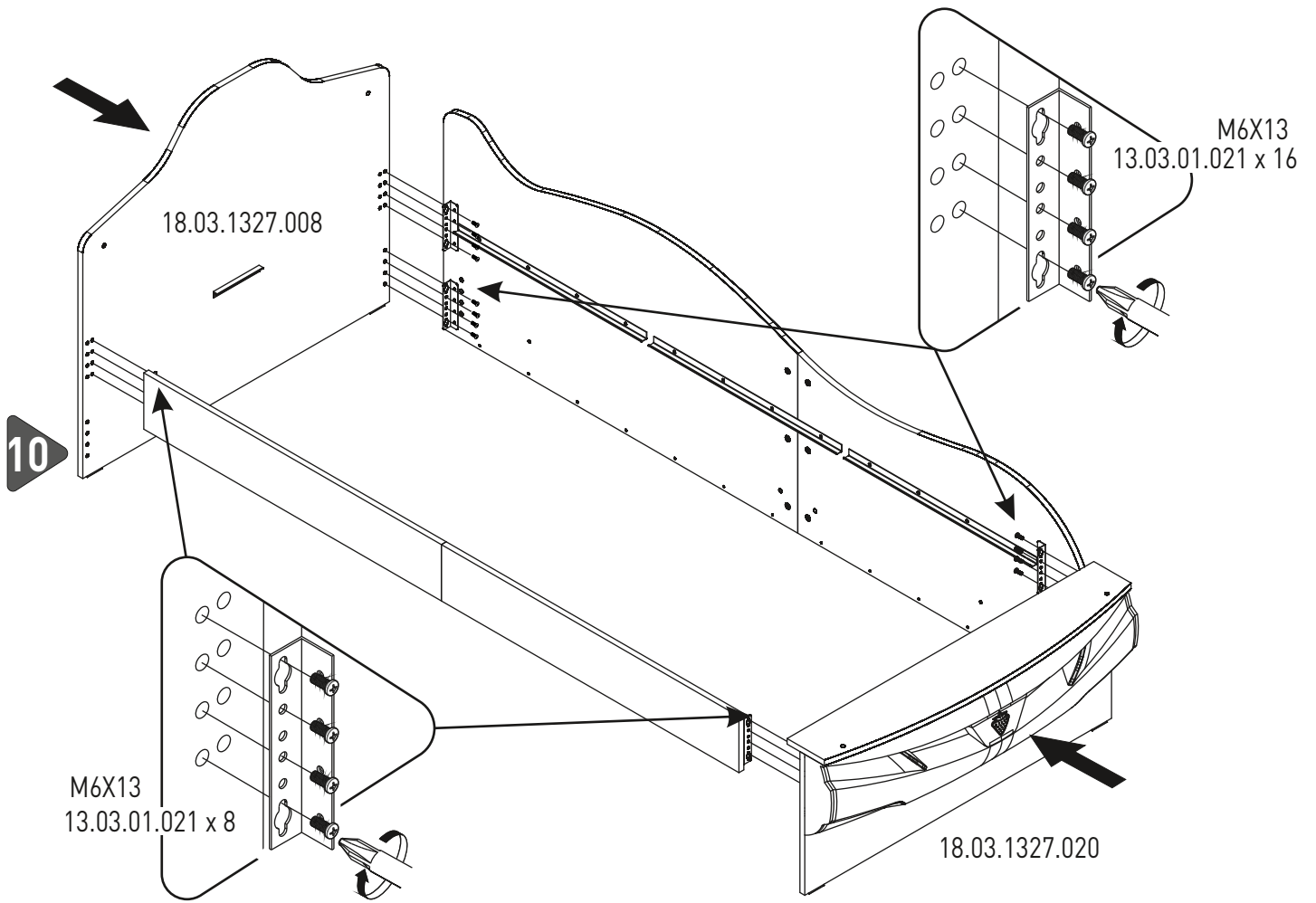


8

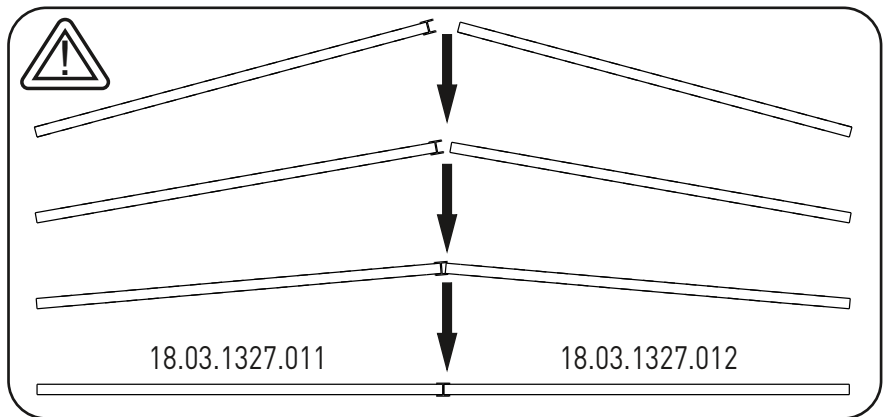
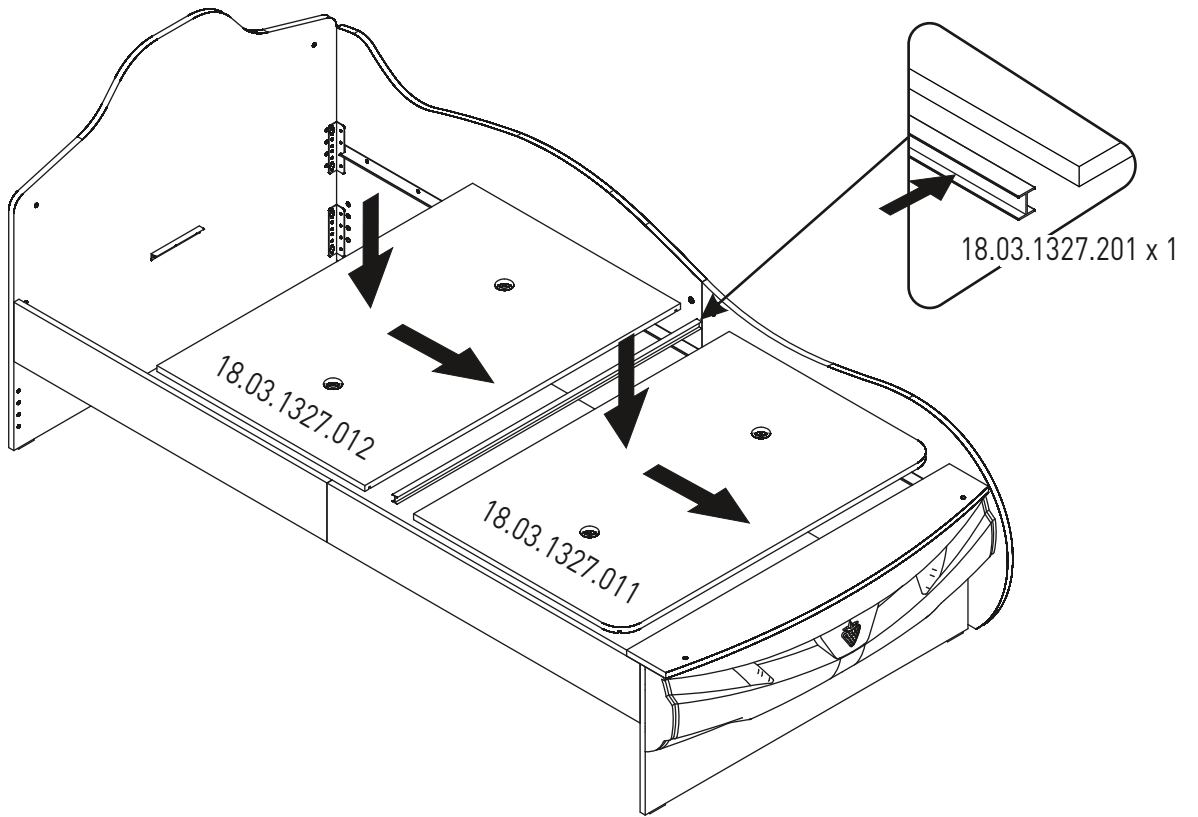


9

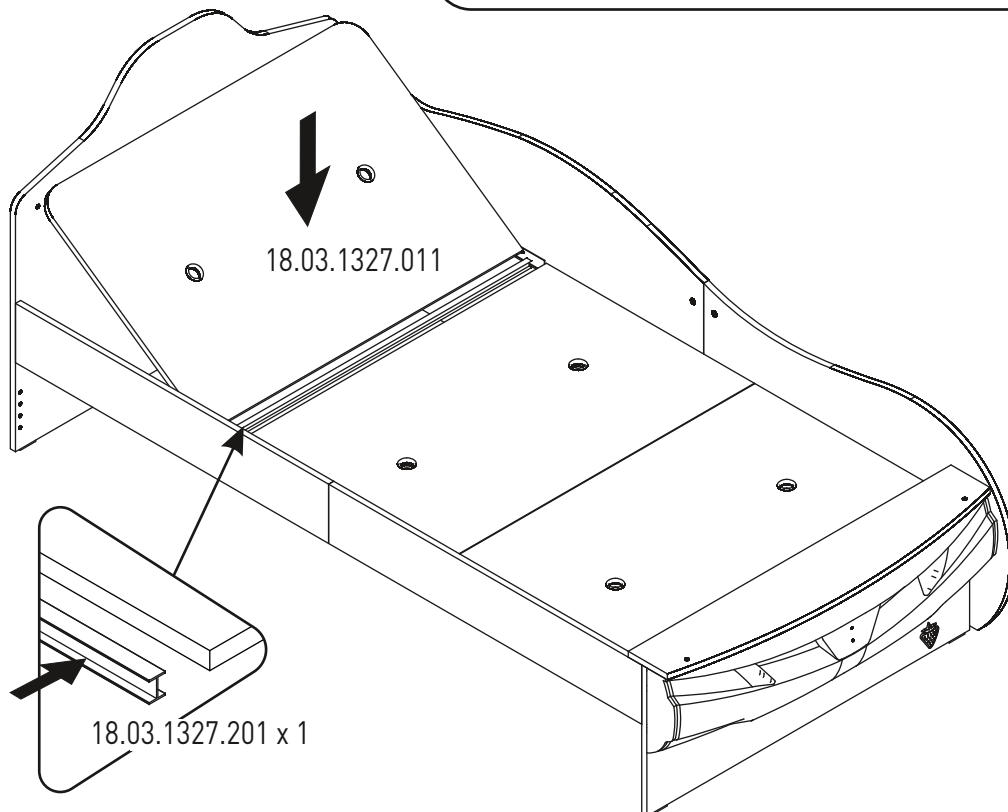


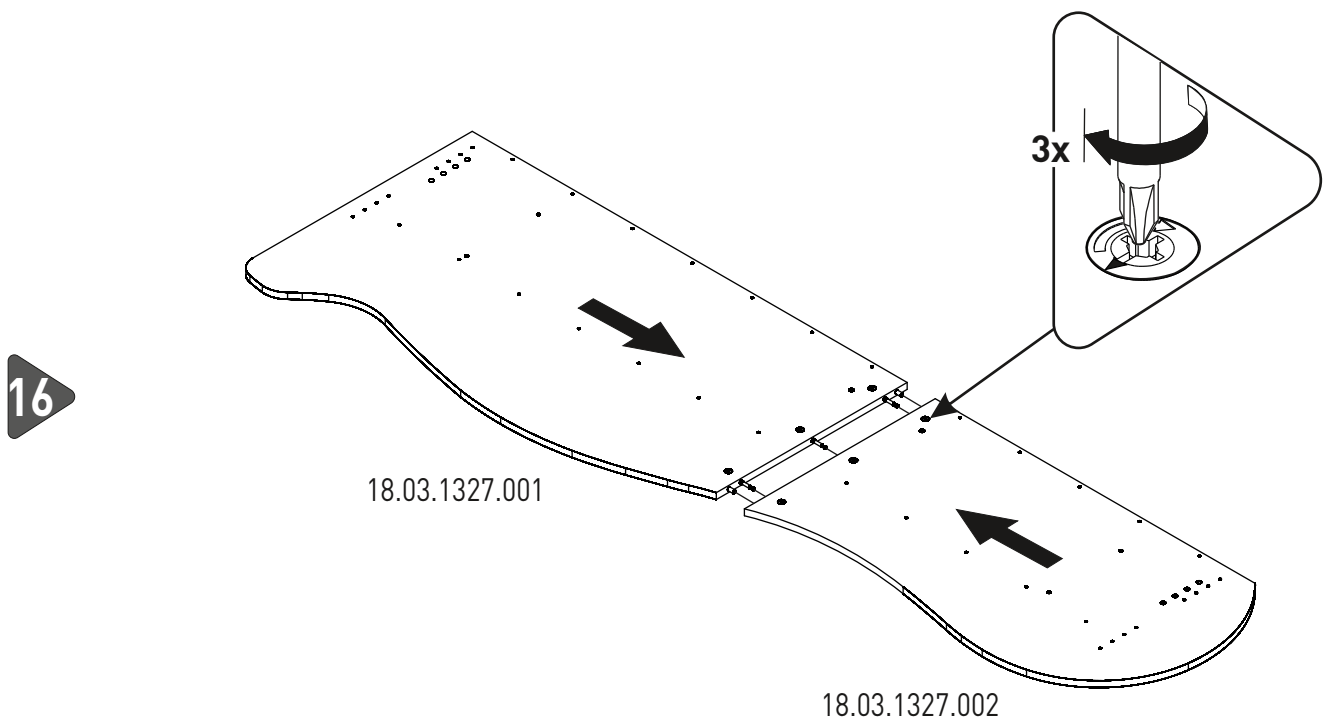
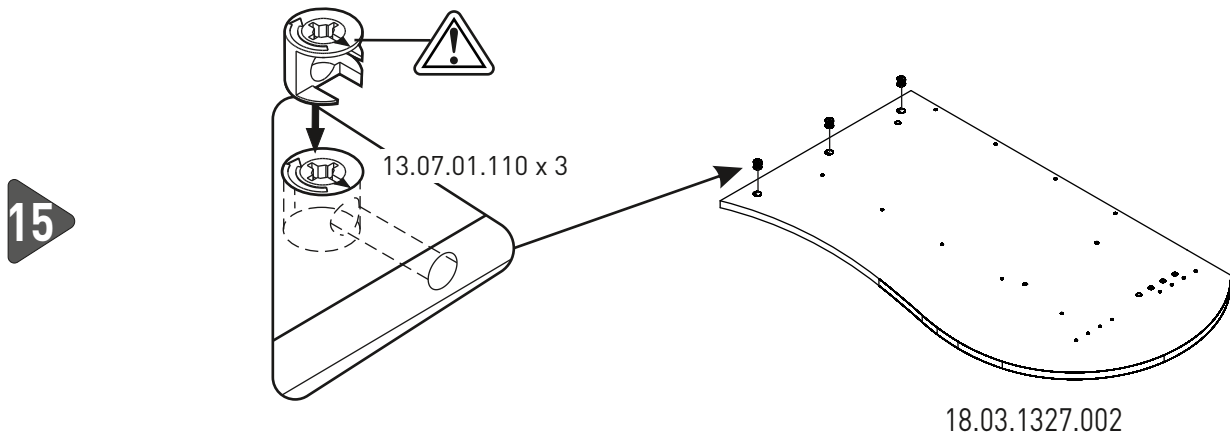
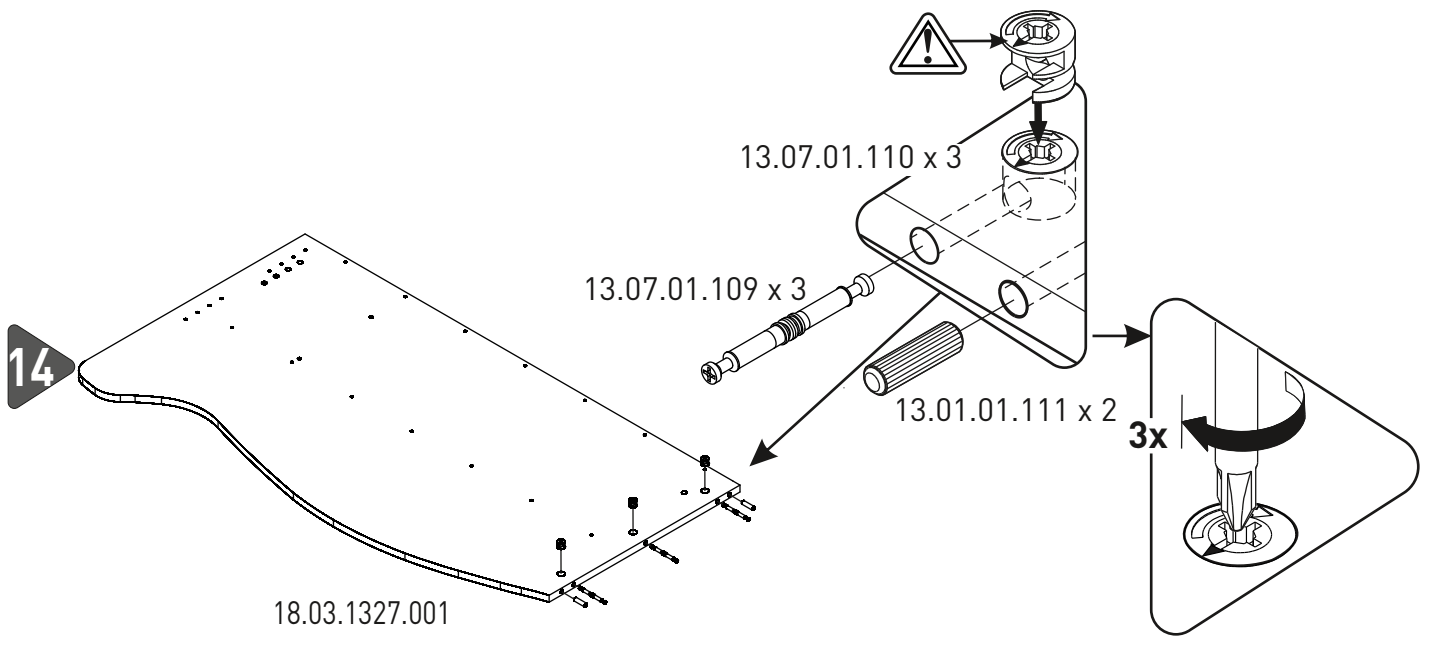


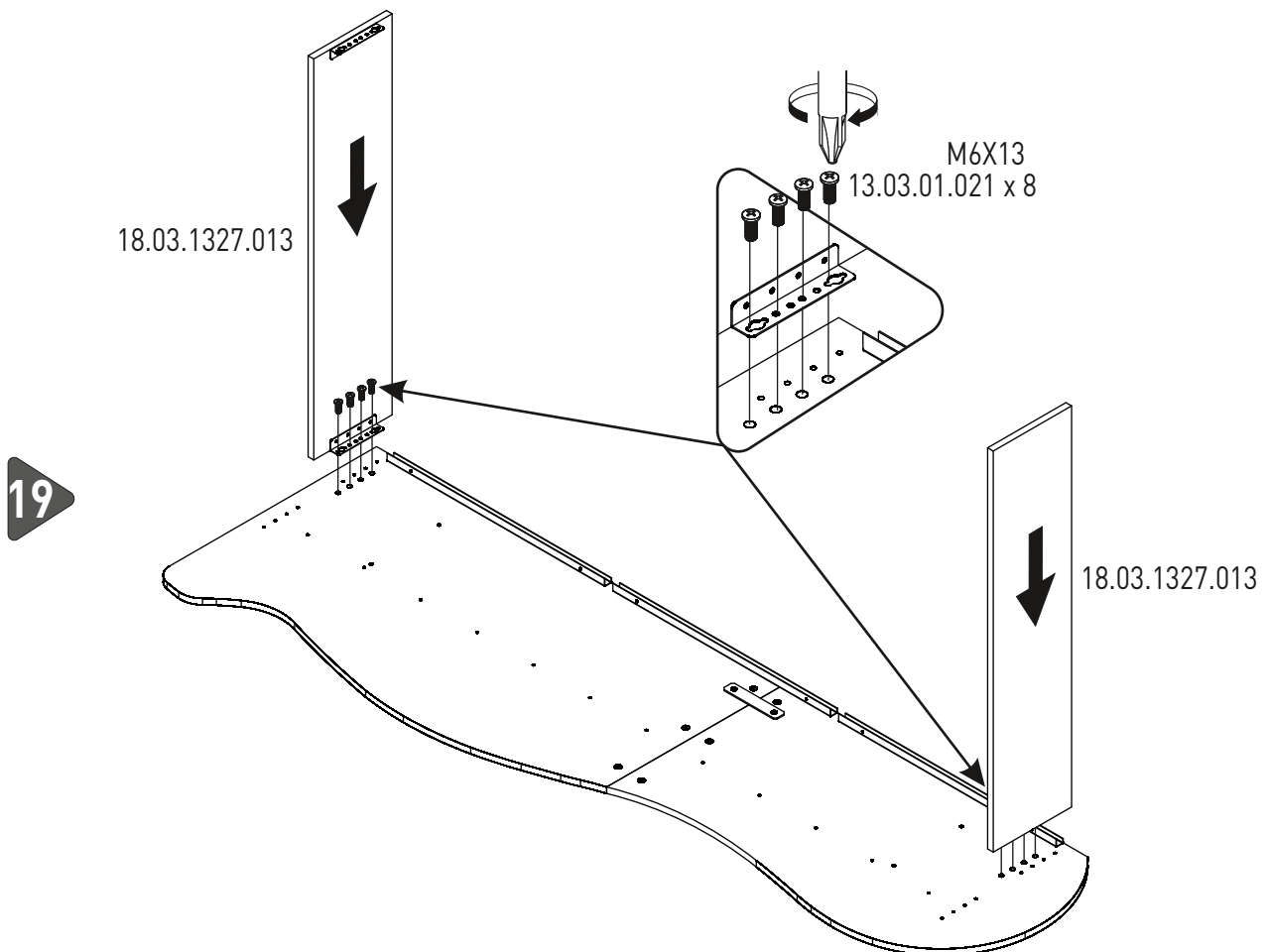
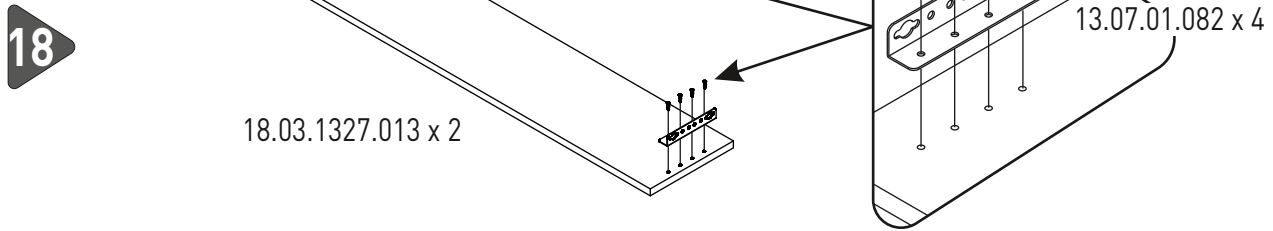
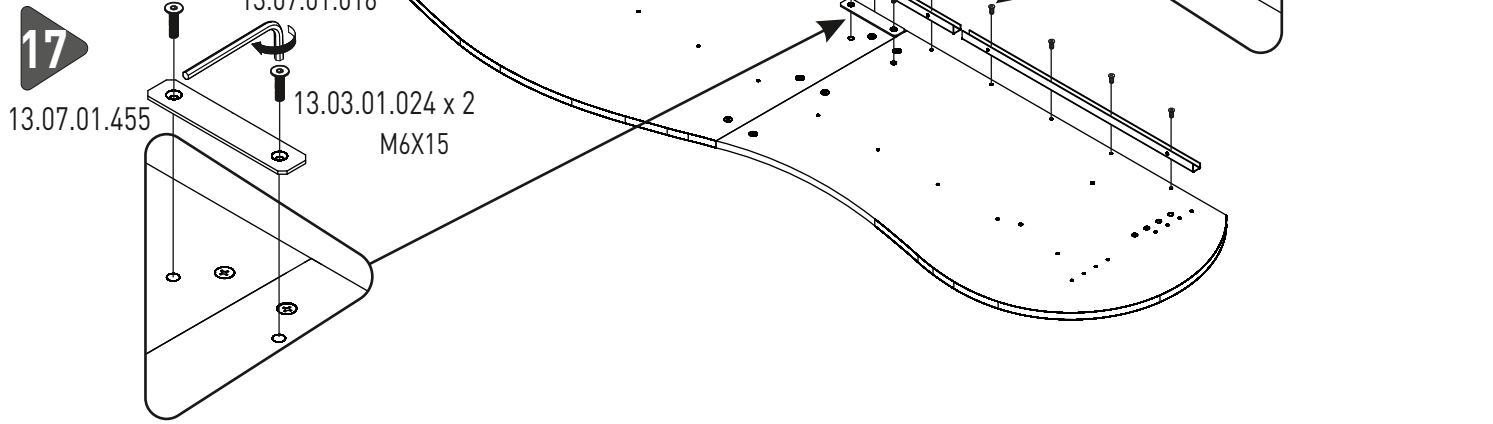
12



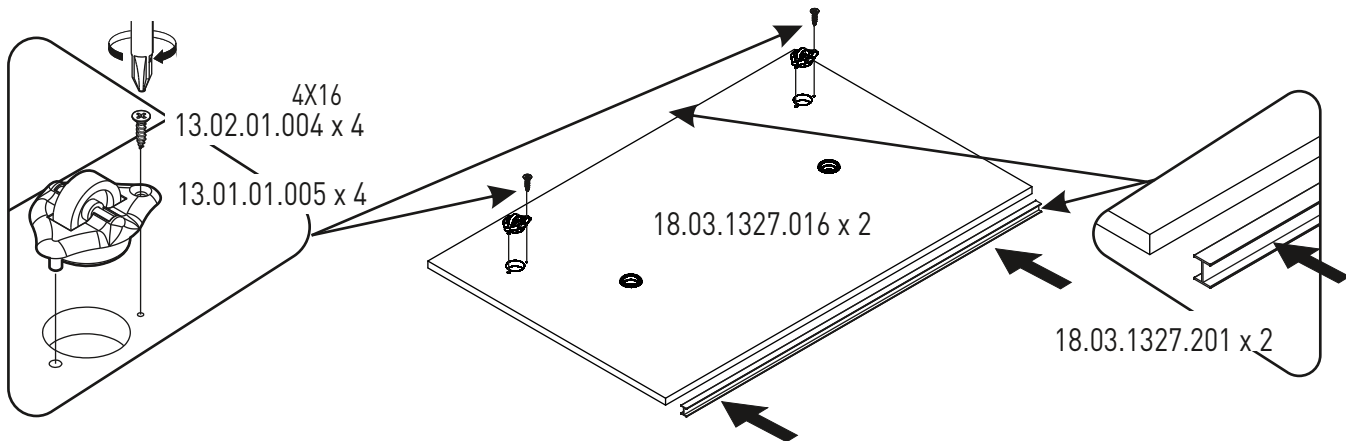
13



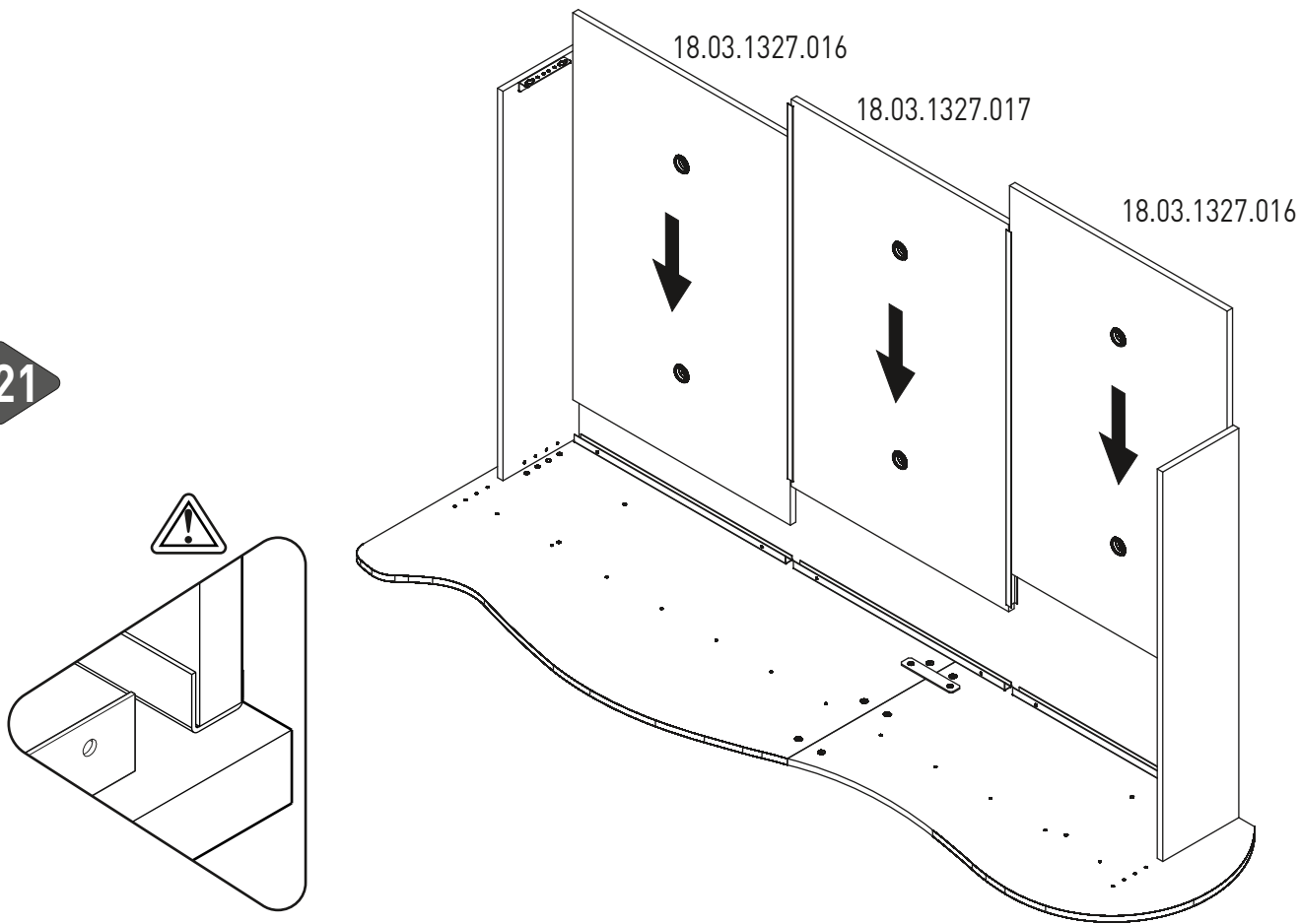




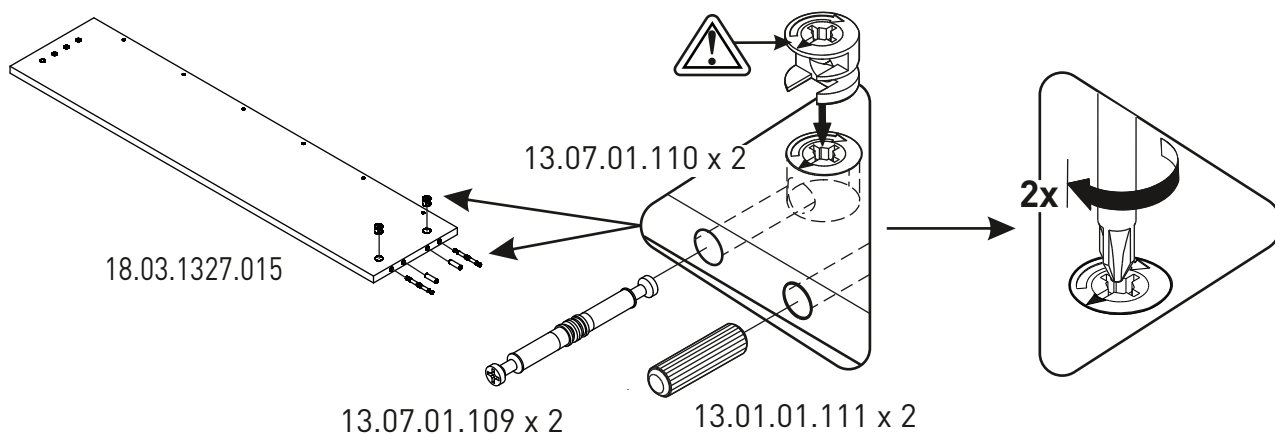
20



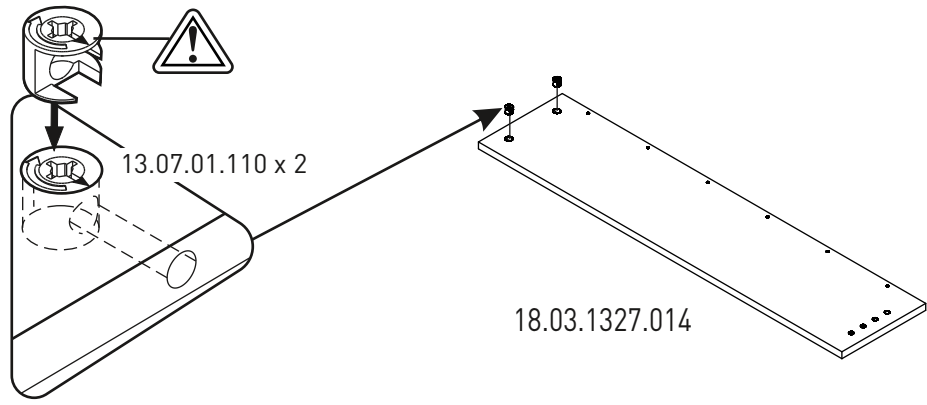
21



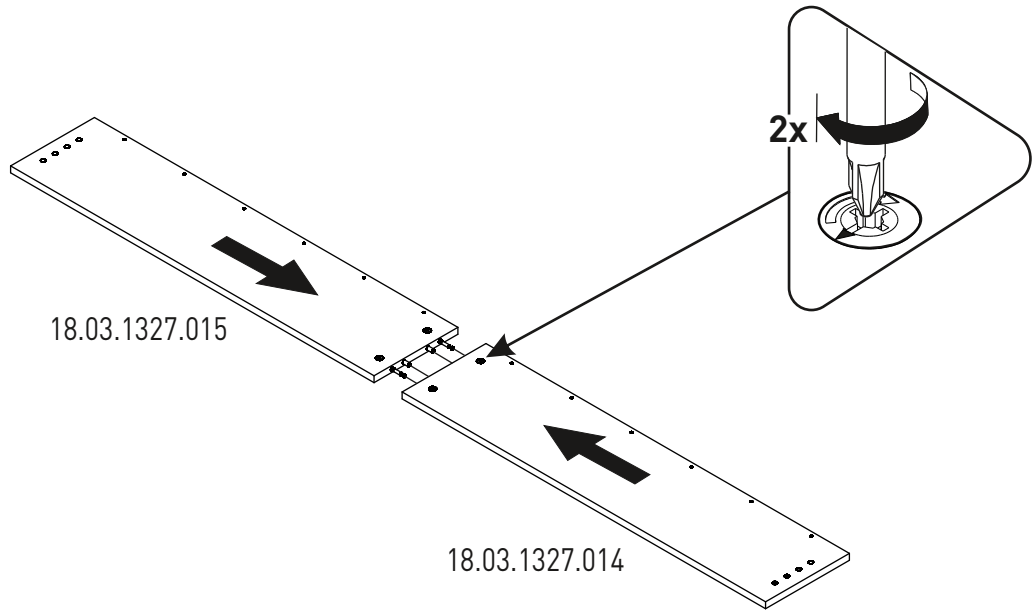
22



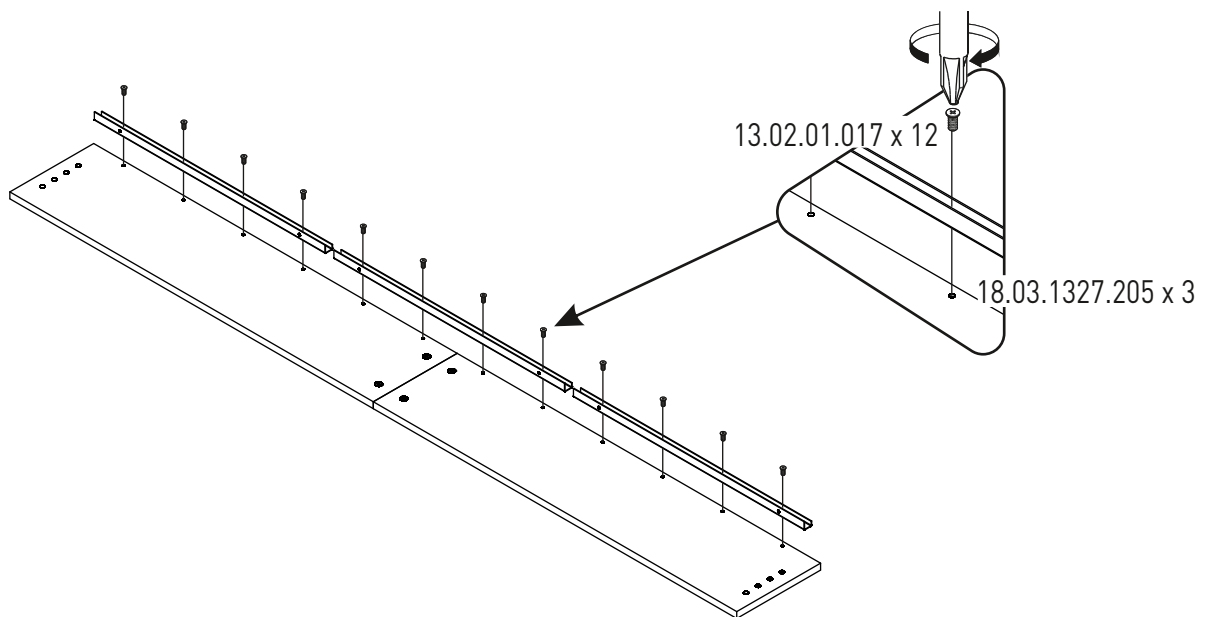
23



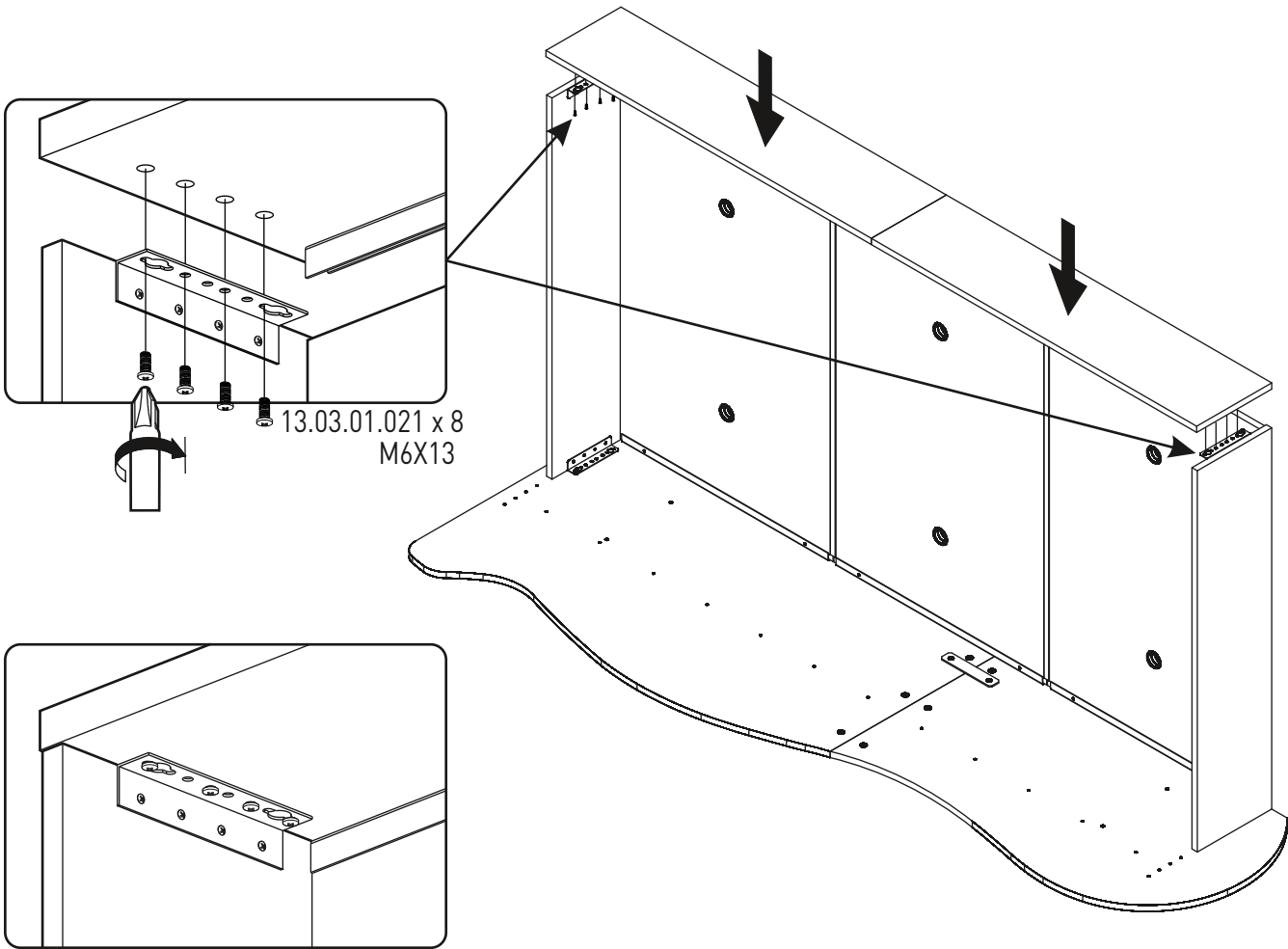
24



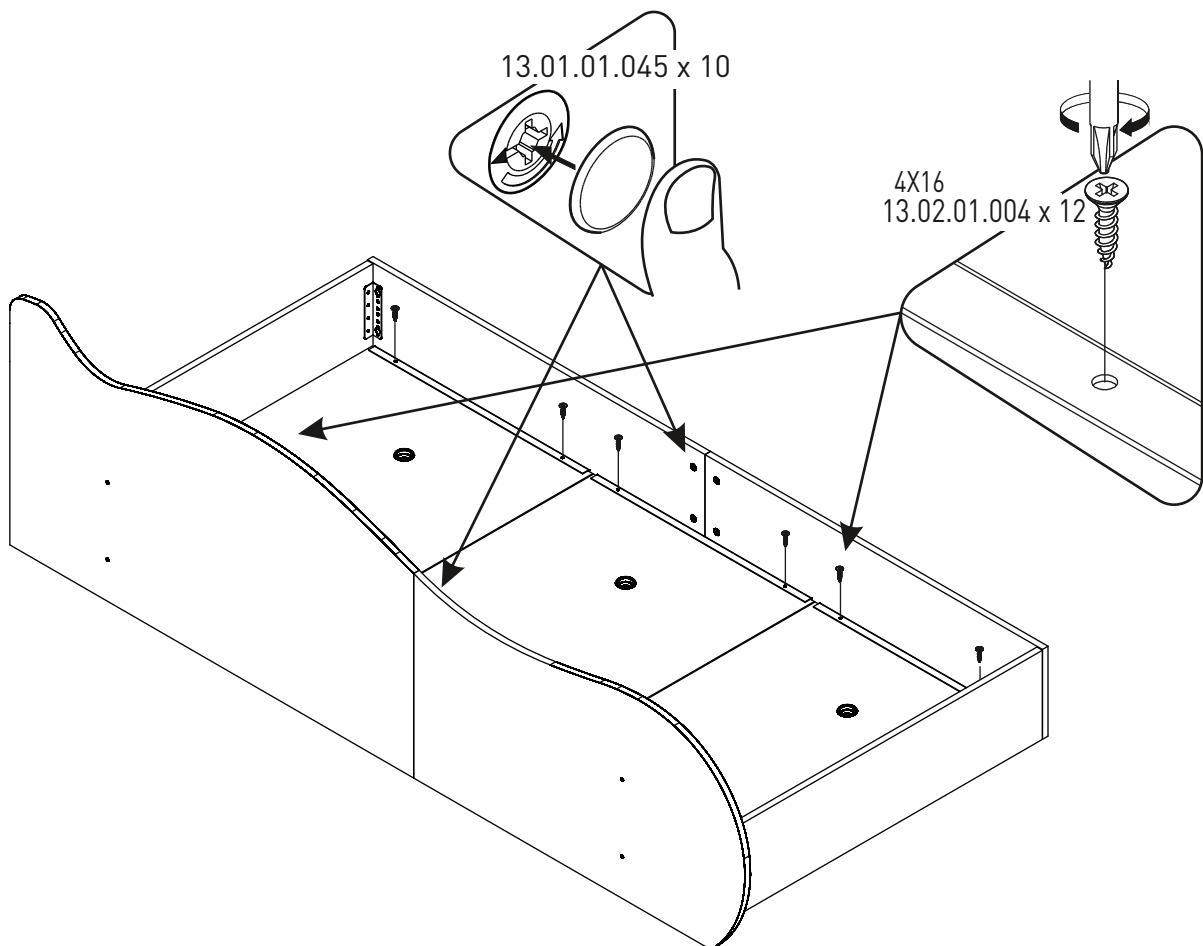
25



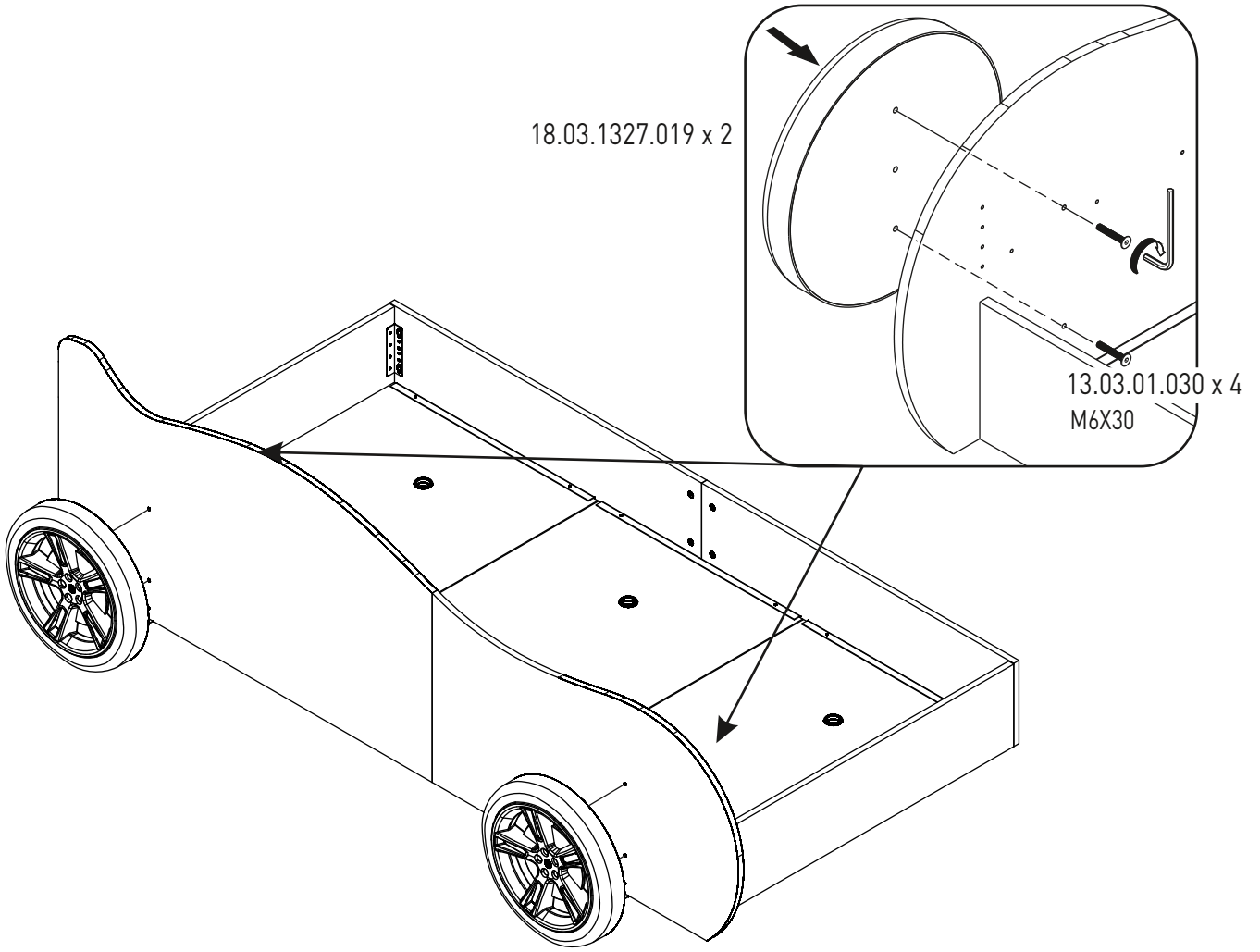
26



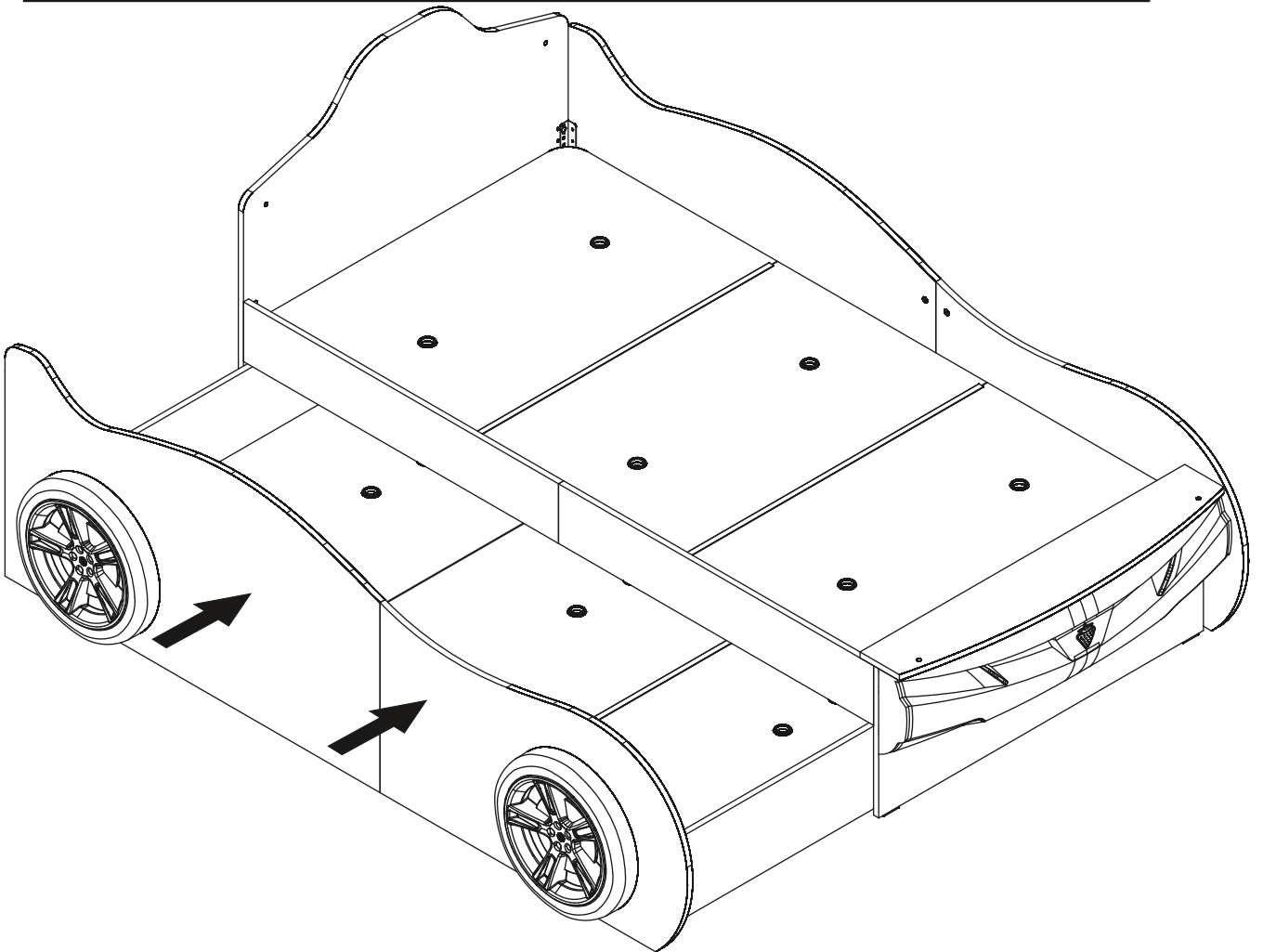
27



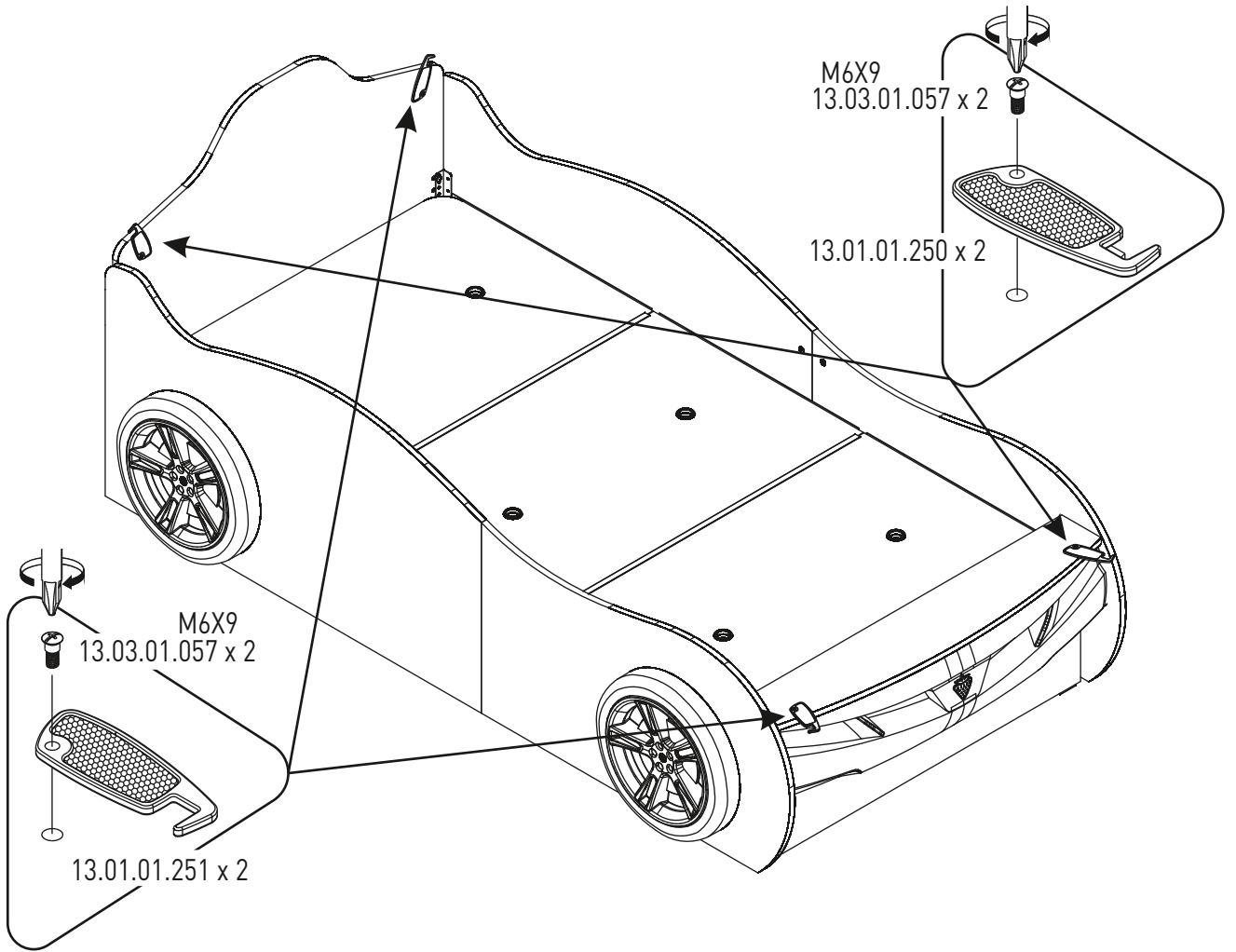
28



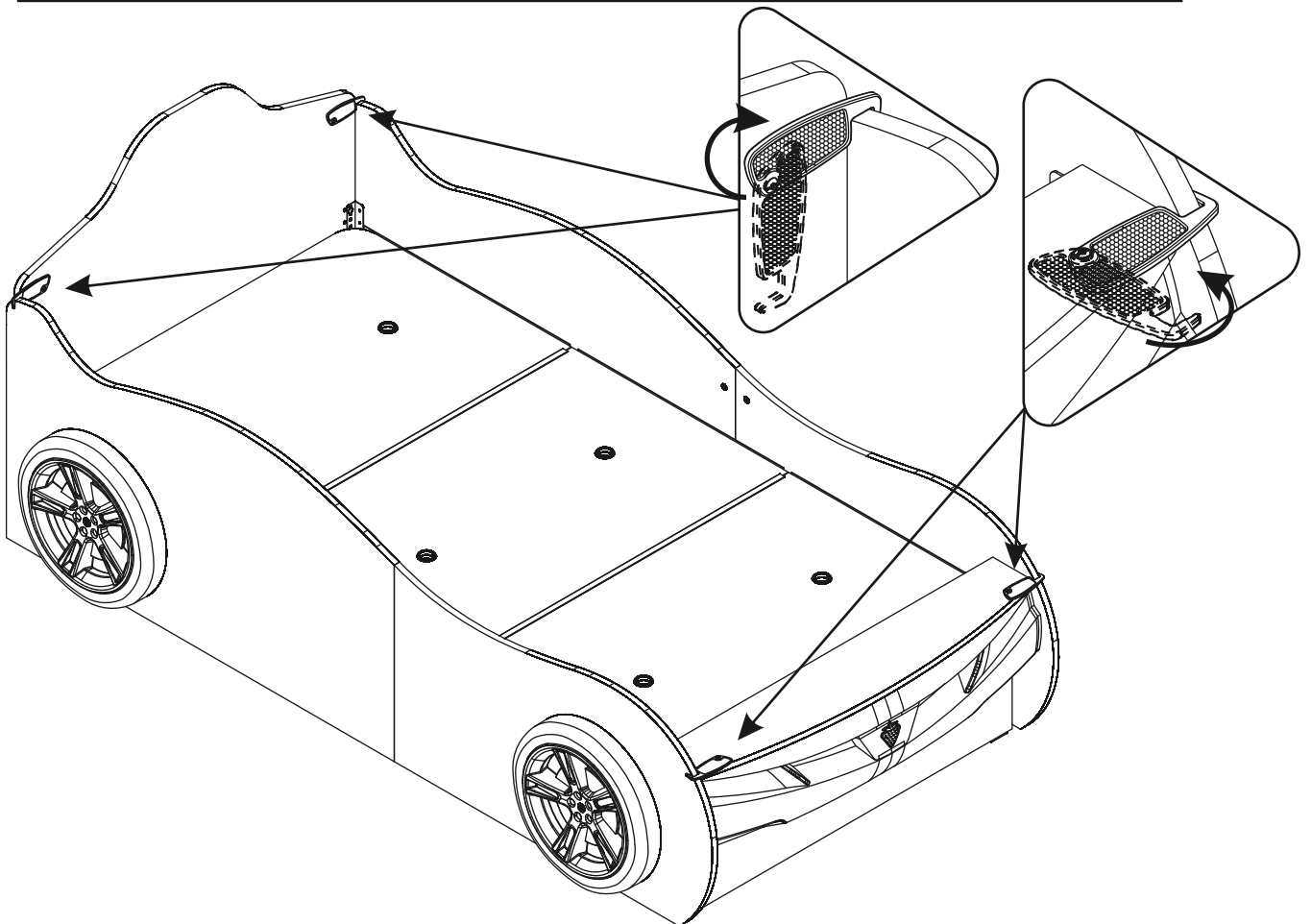
29

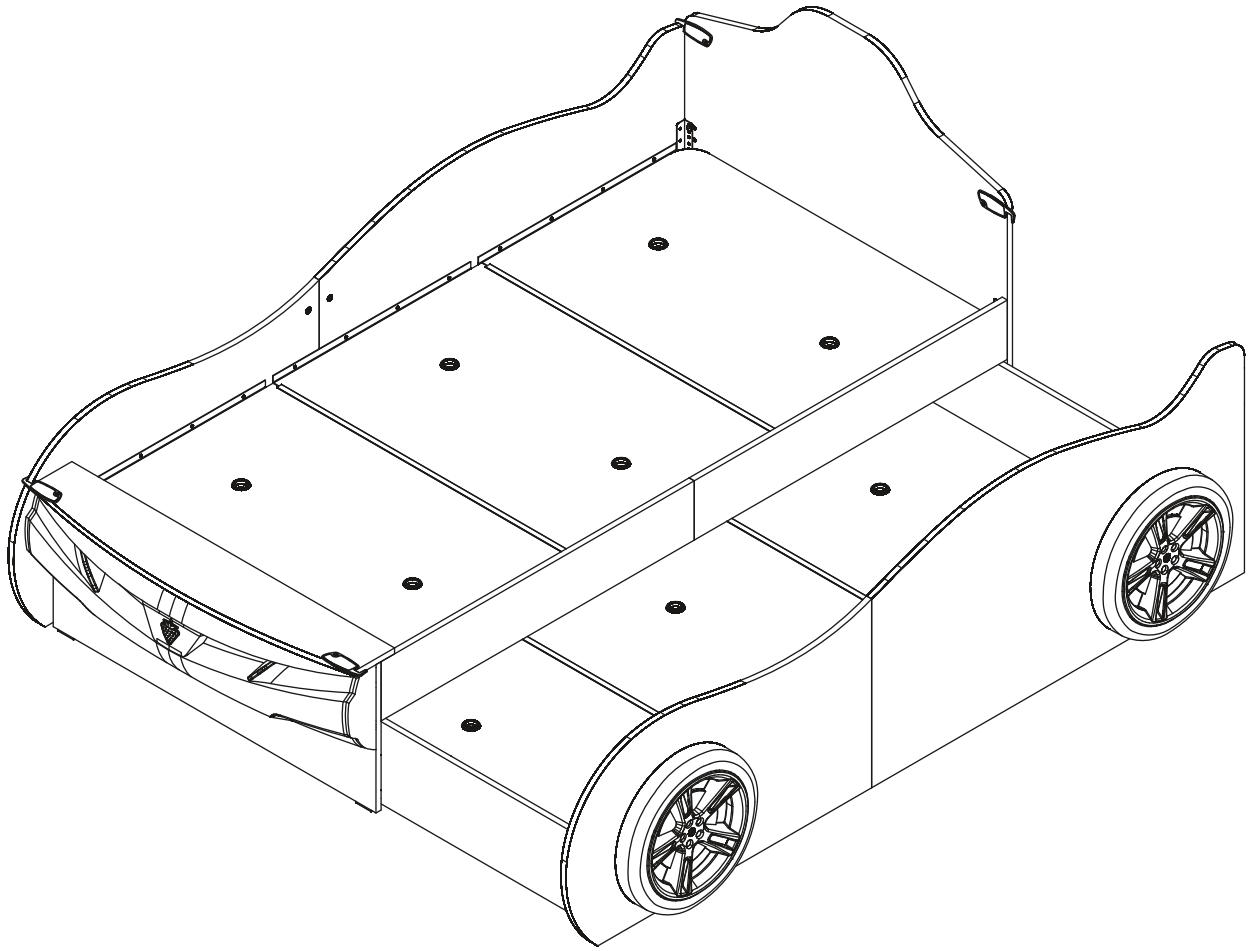


30

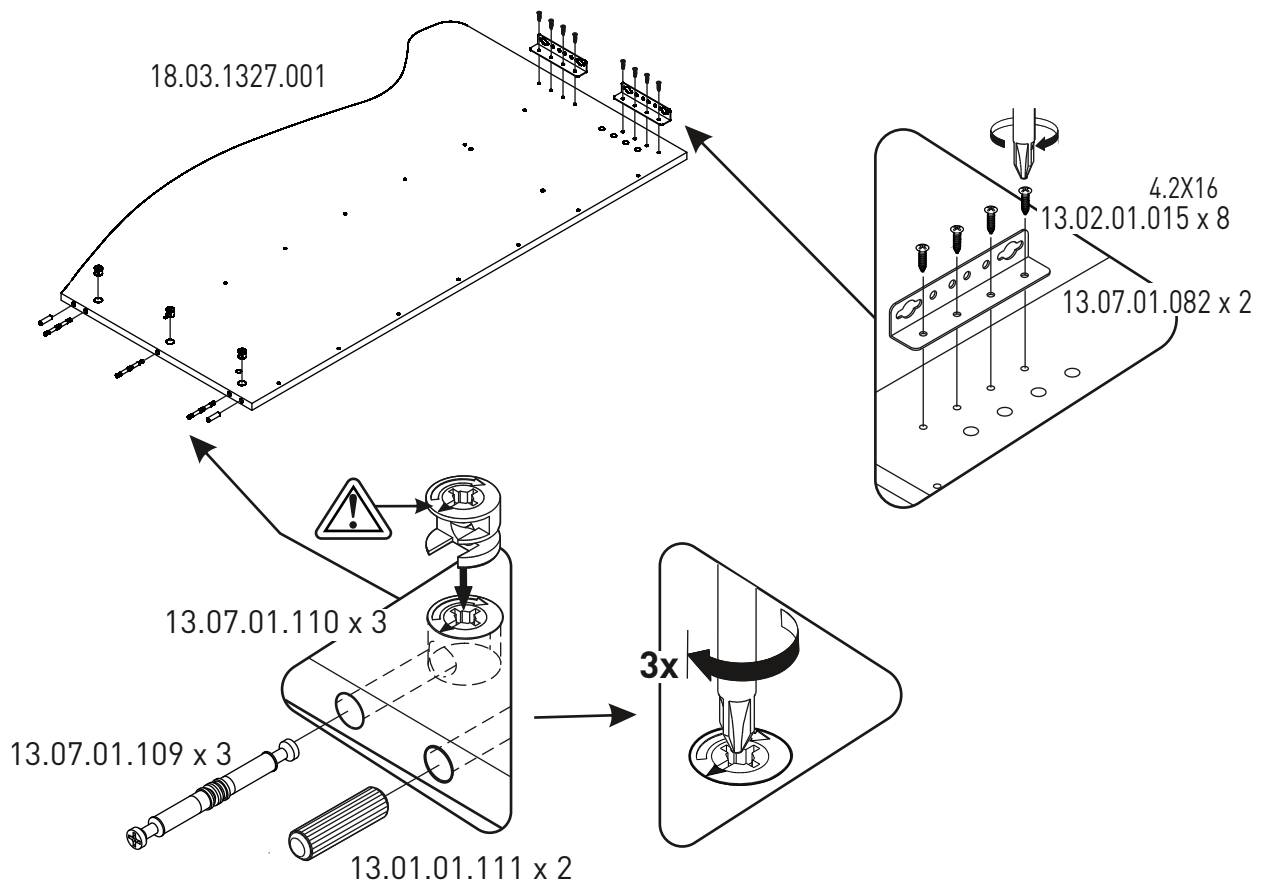


31

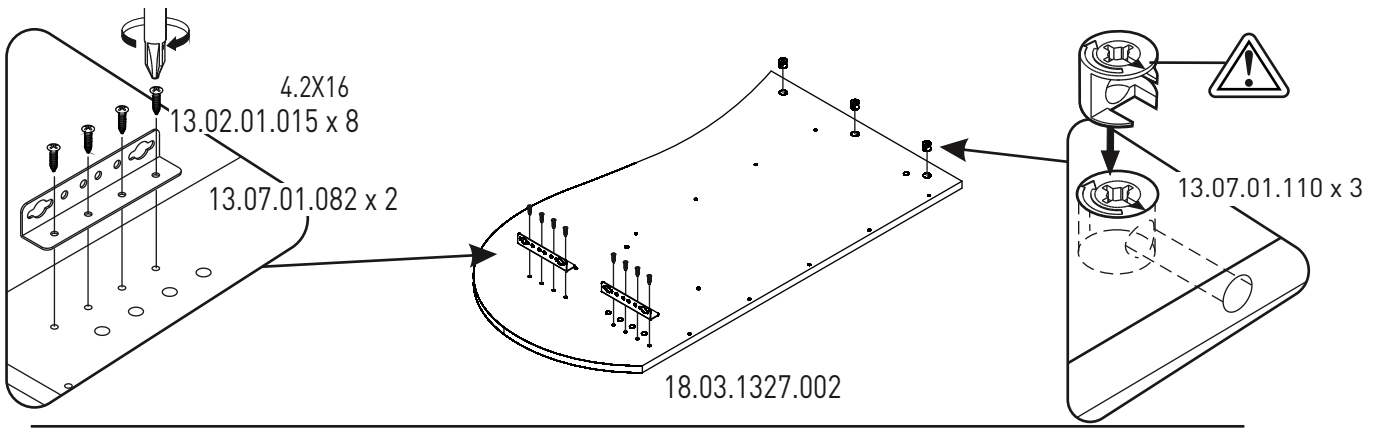




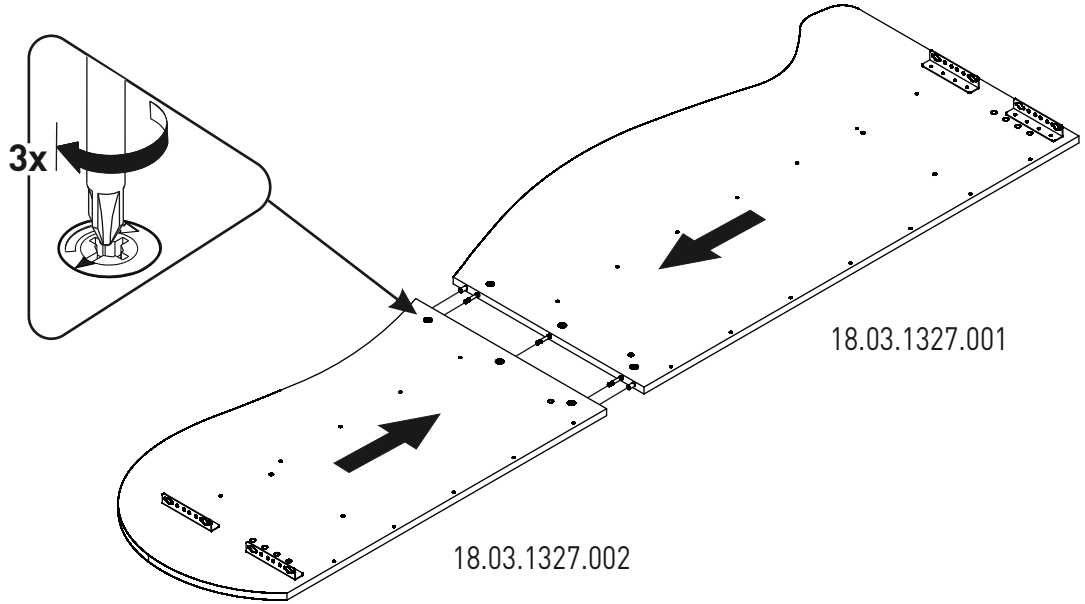
1



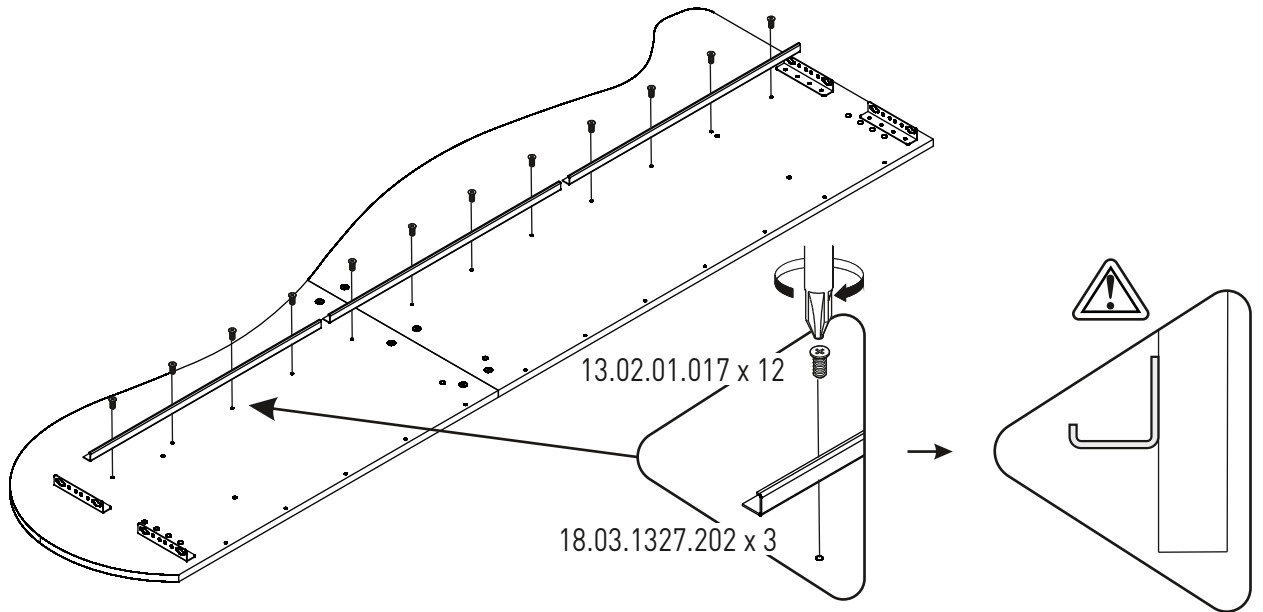
2



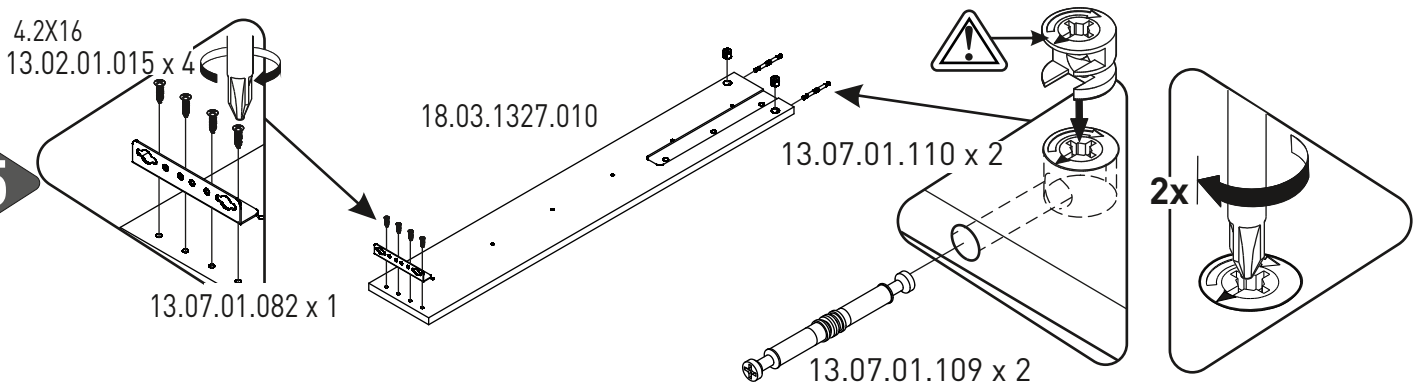
3



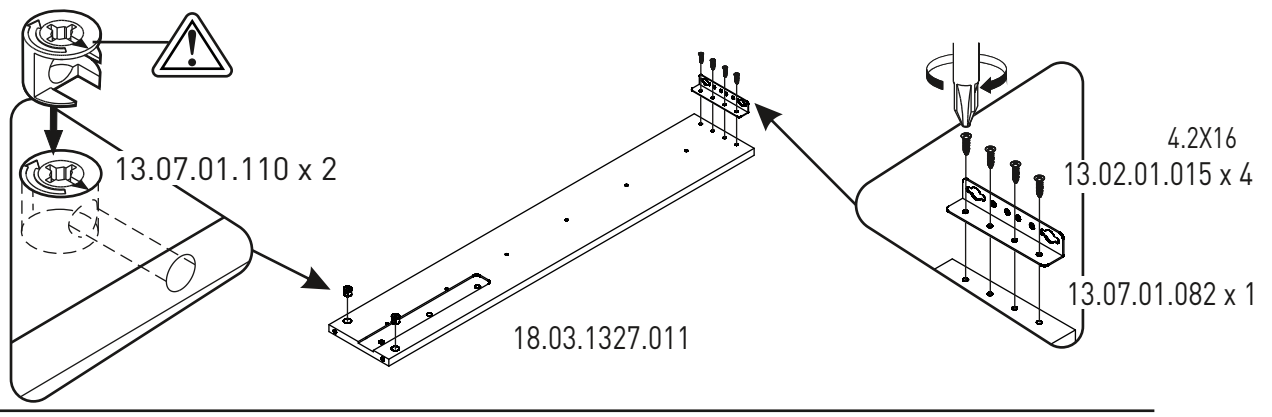
4



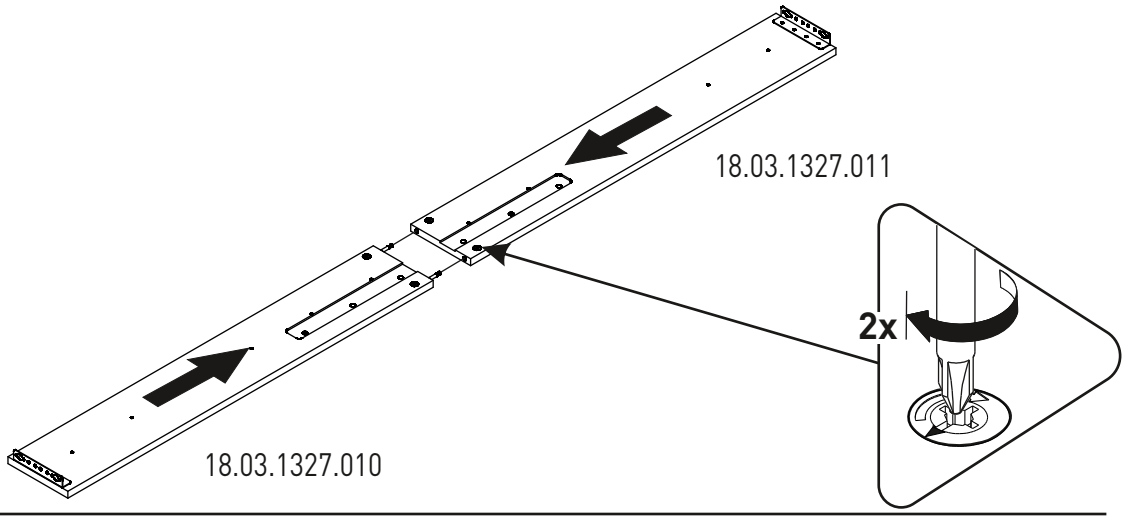
5



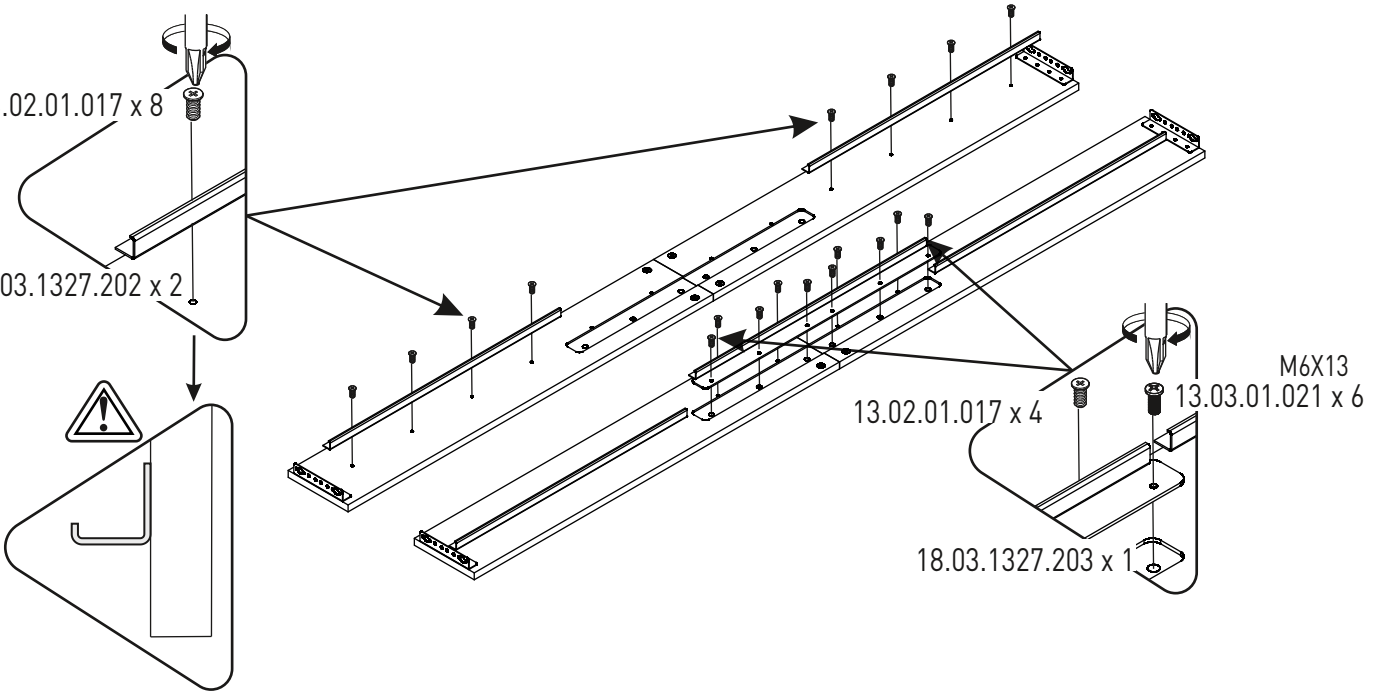
6



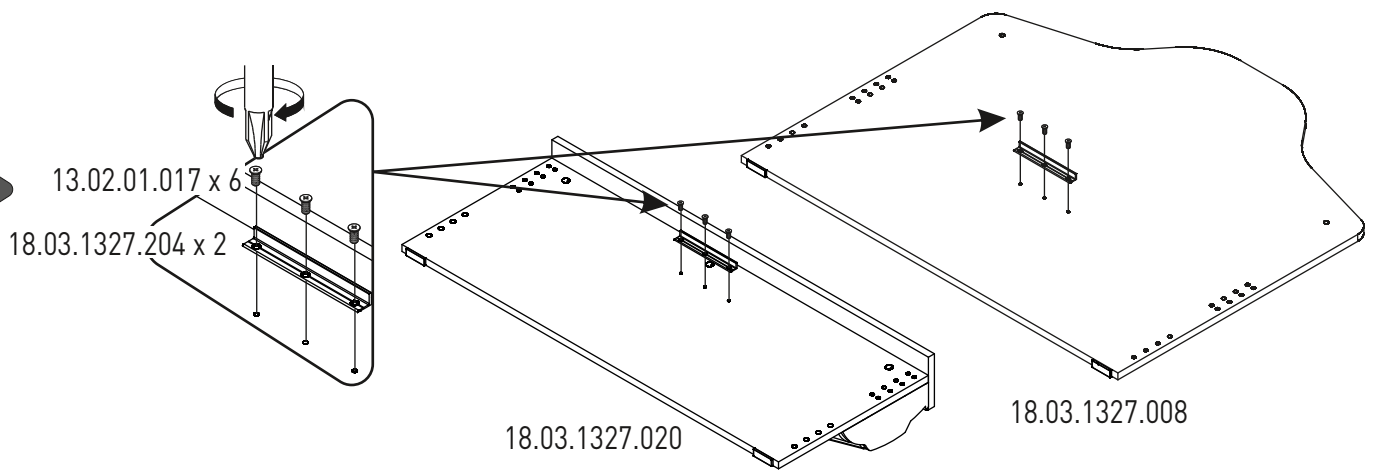
7



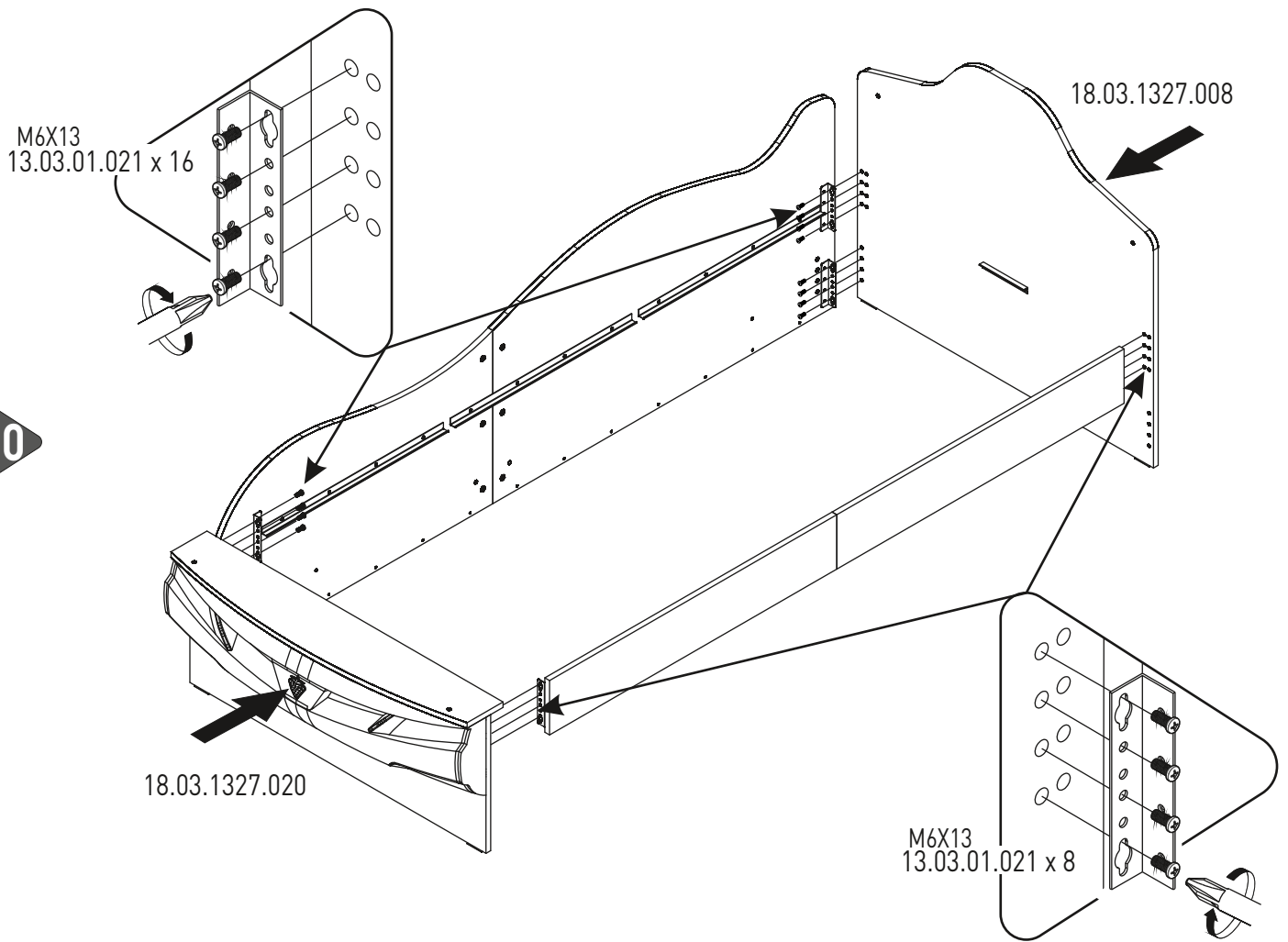
8



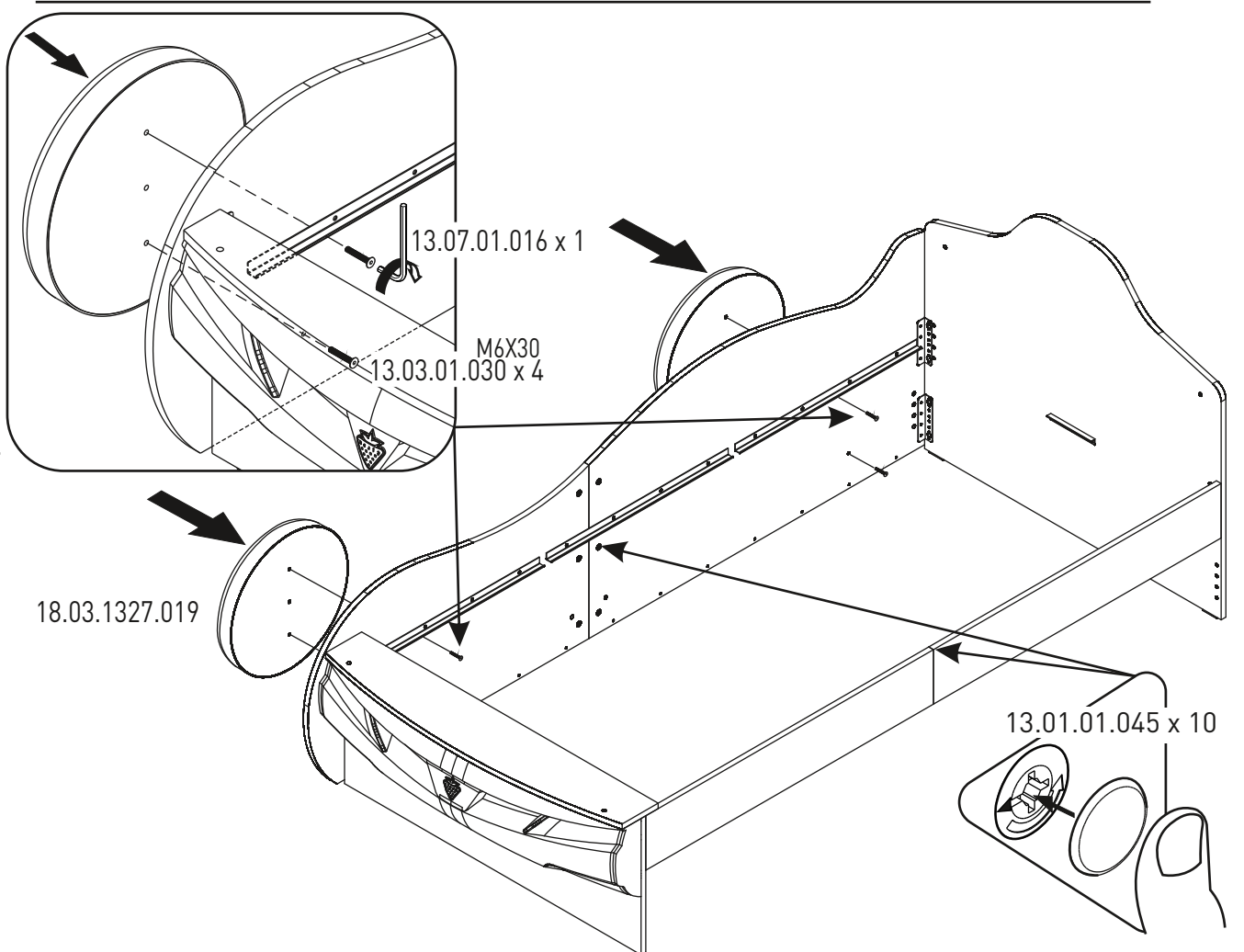
9



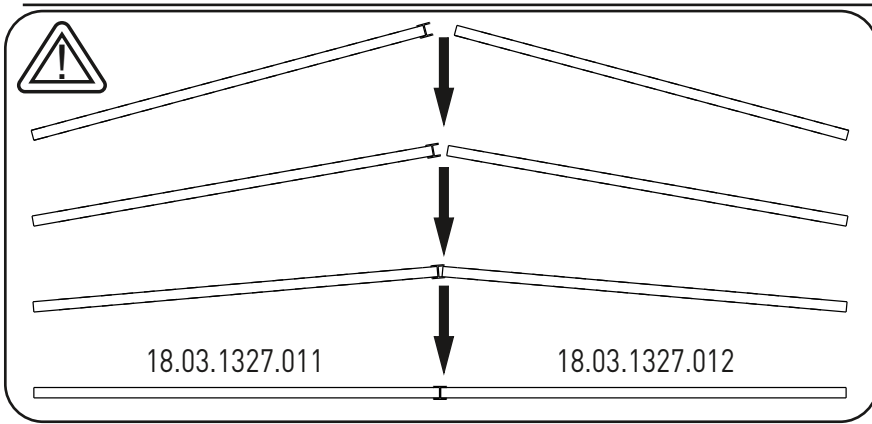
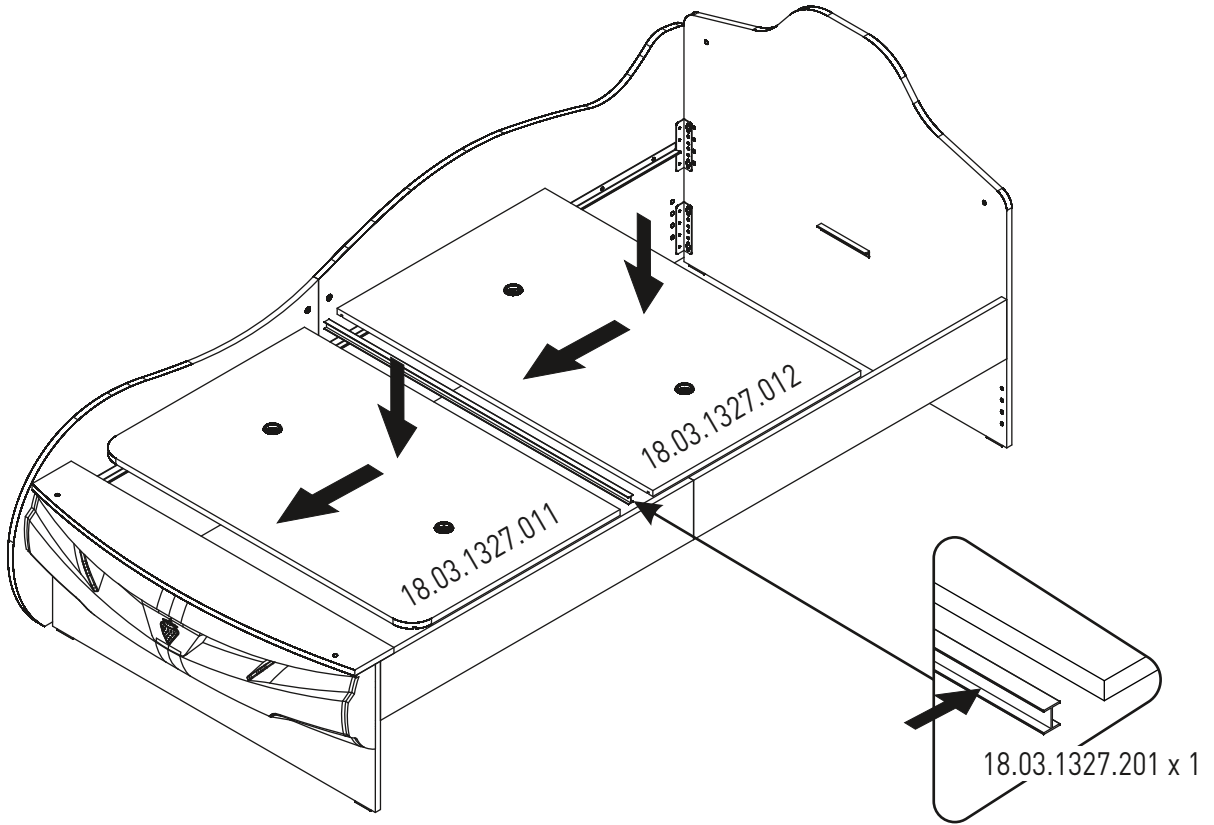
10



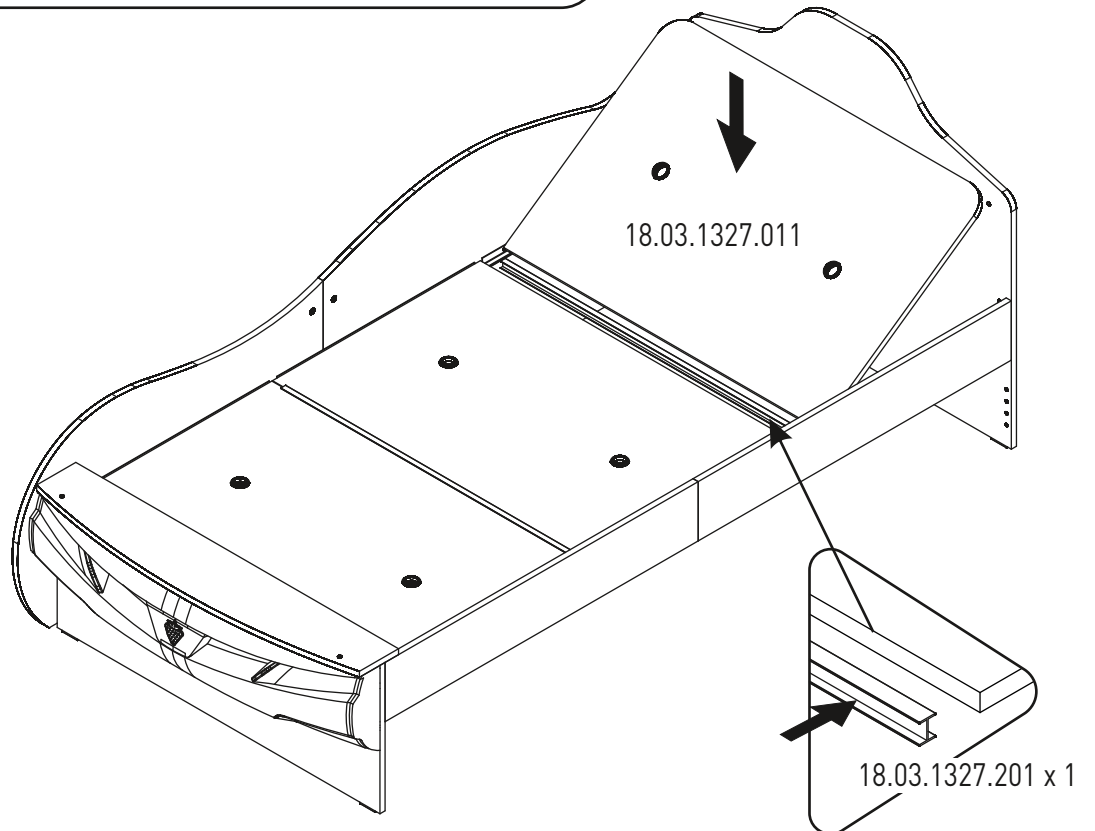
11



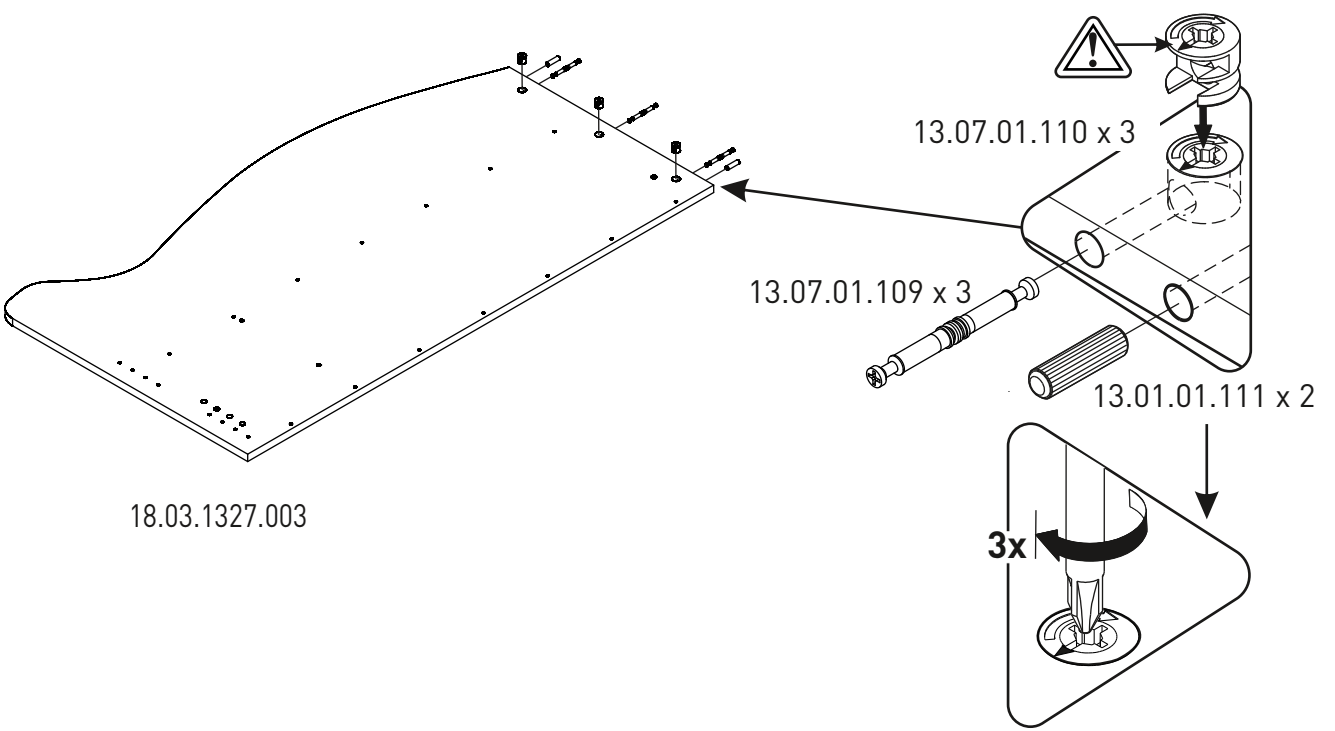
12



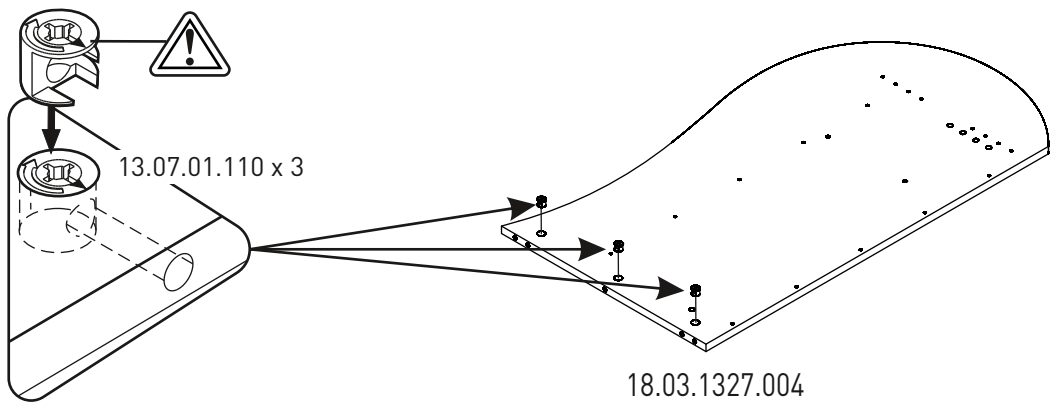
13



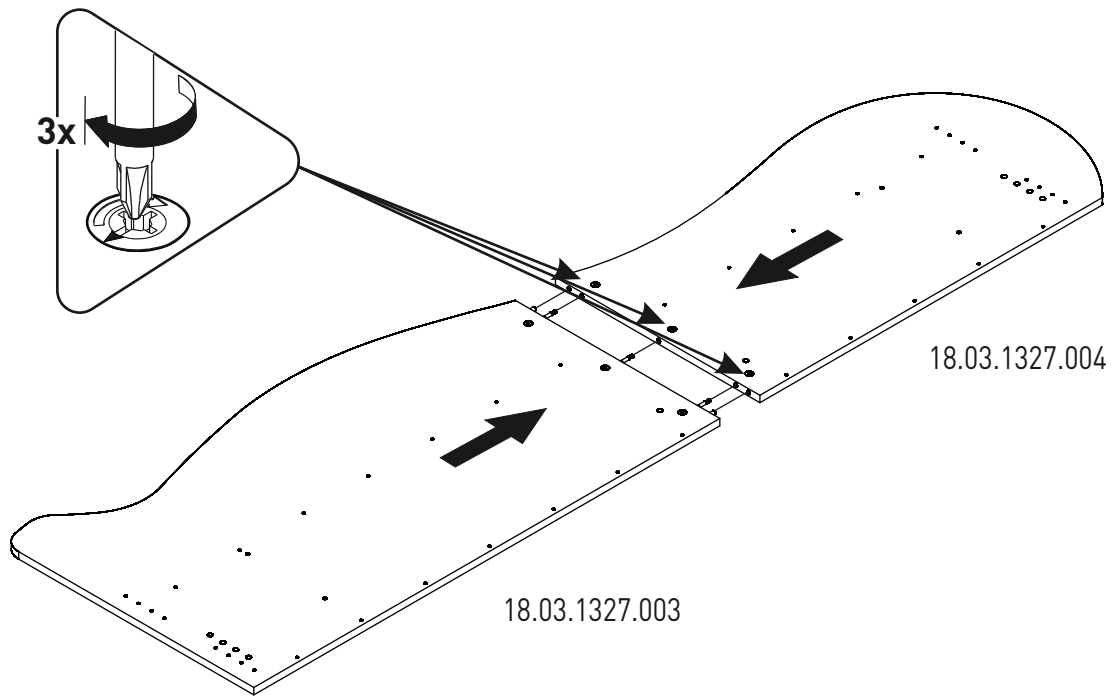
14



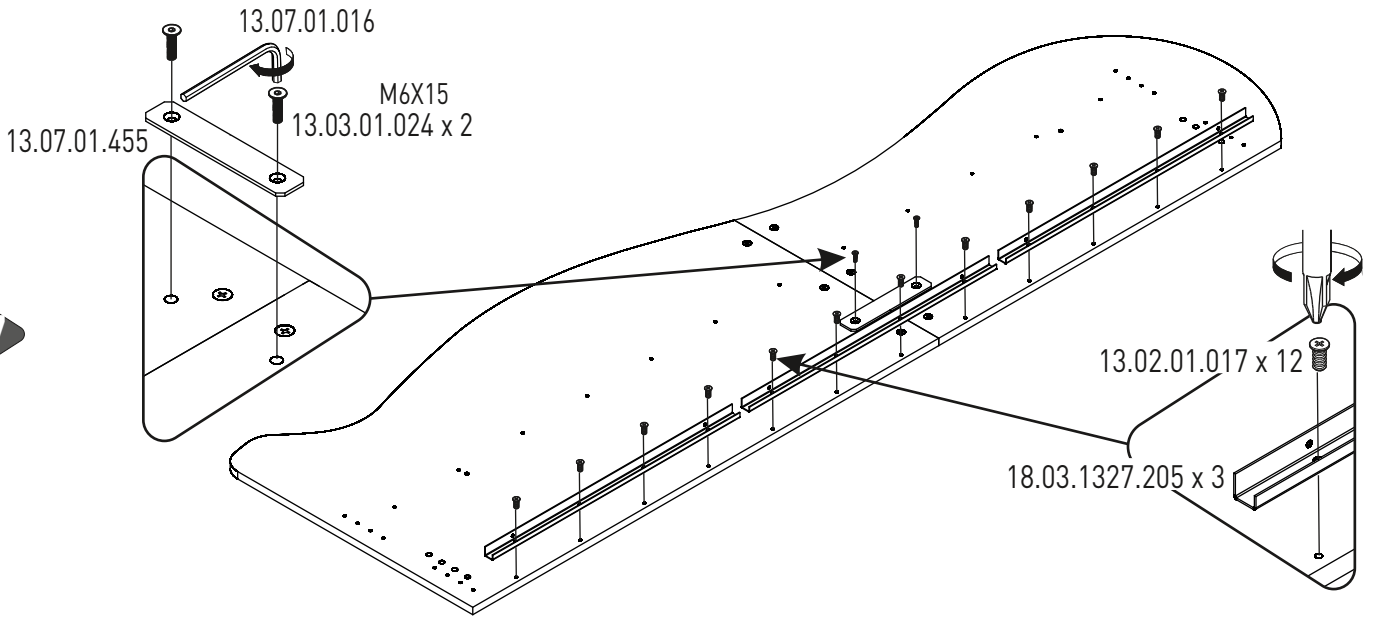
15



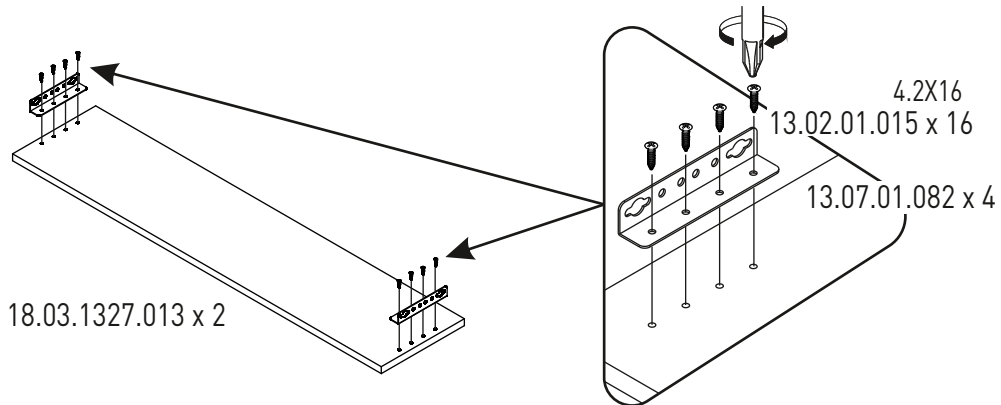
16



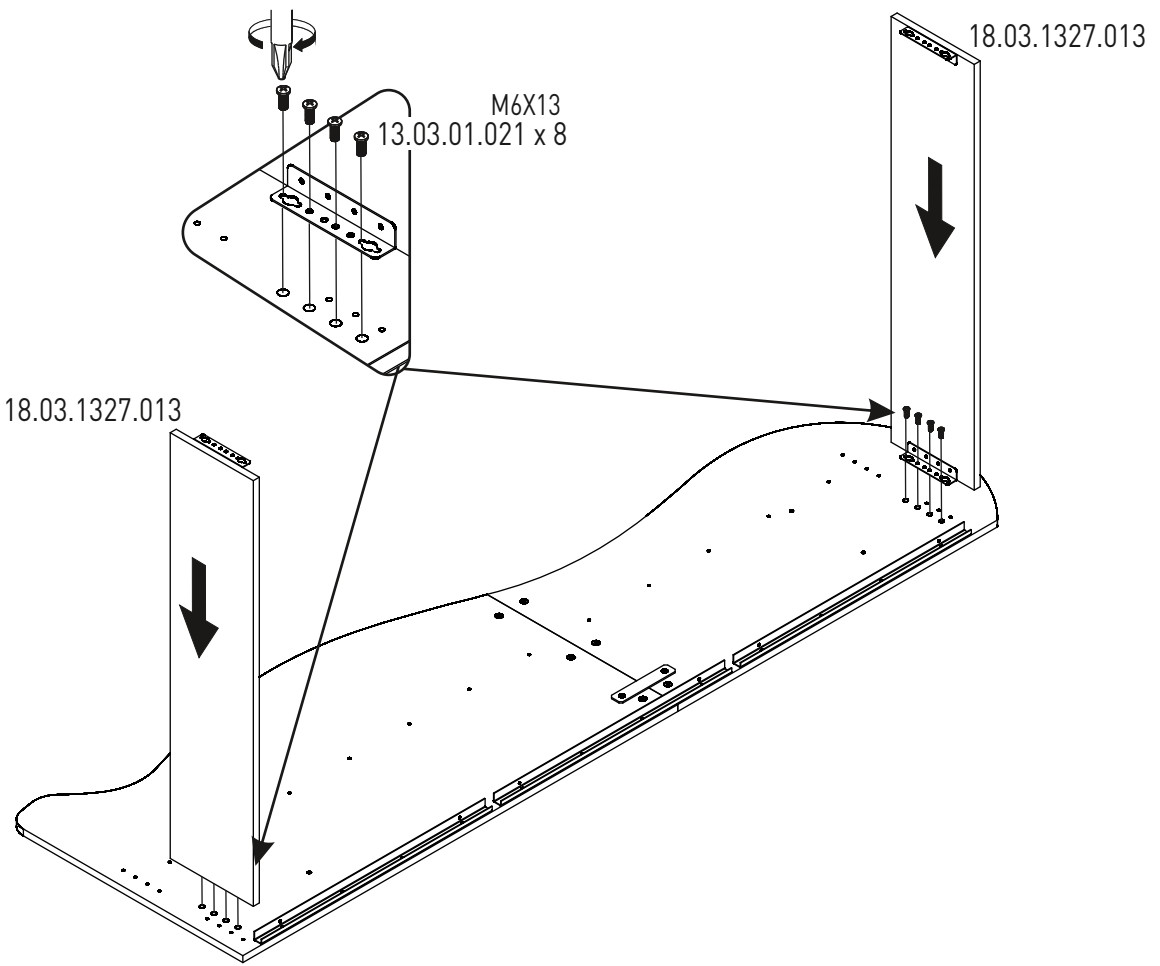
17



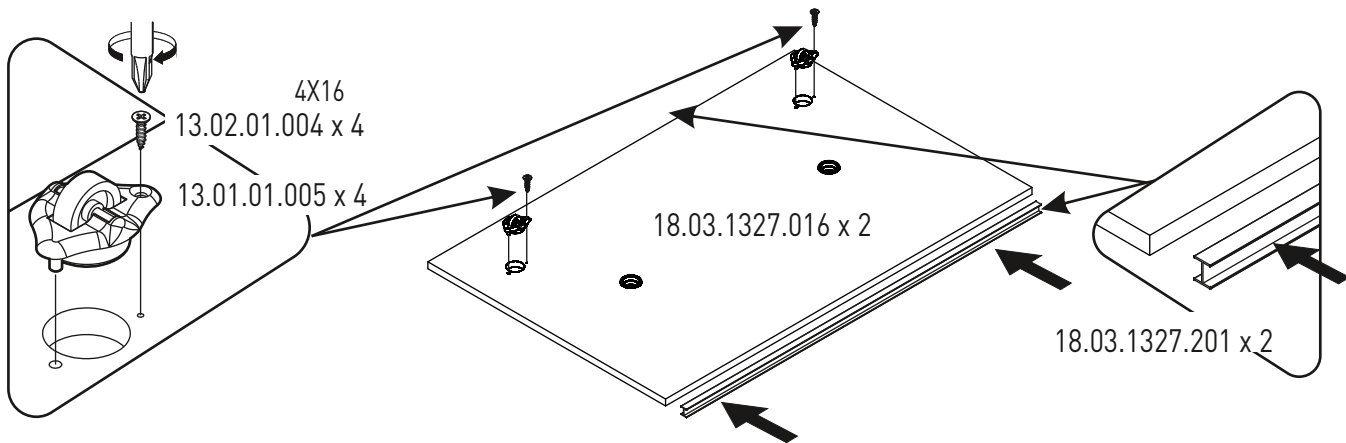
18



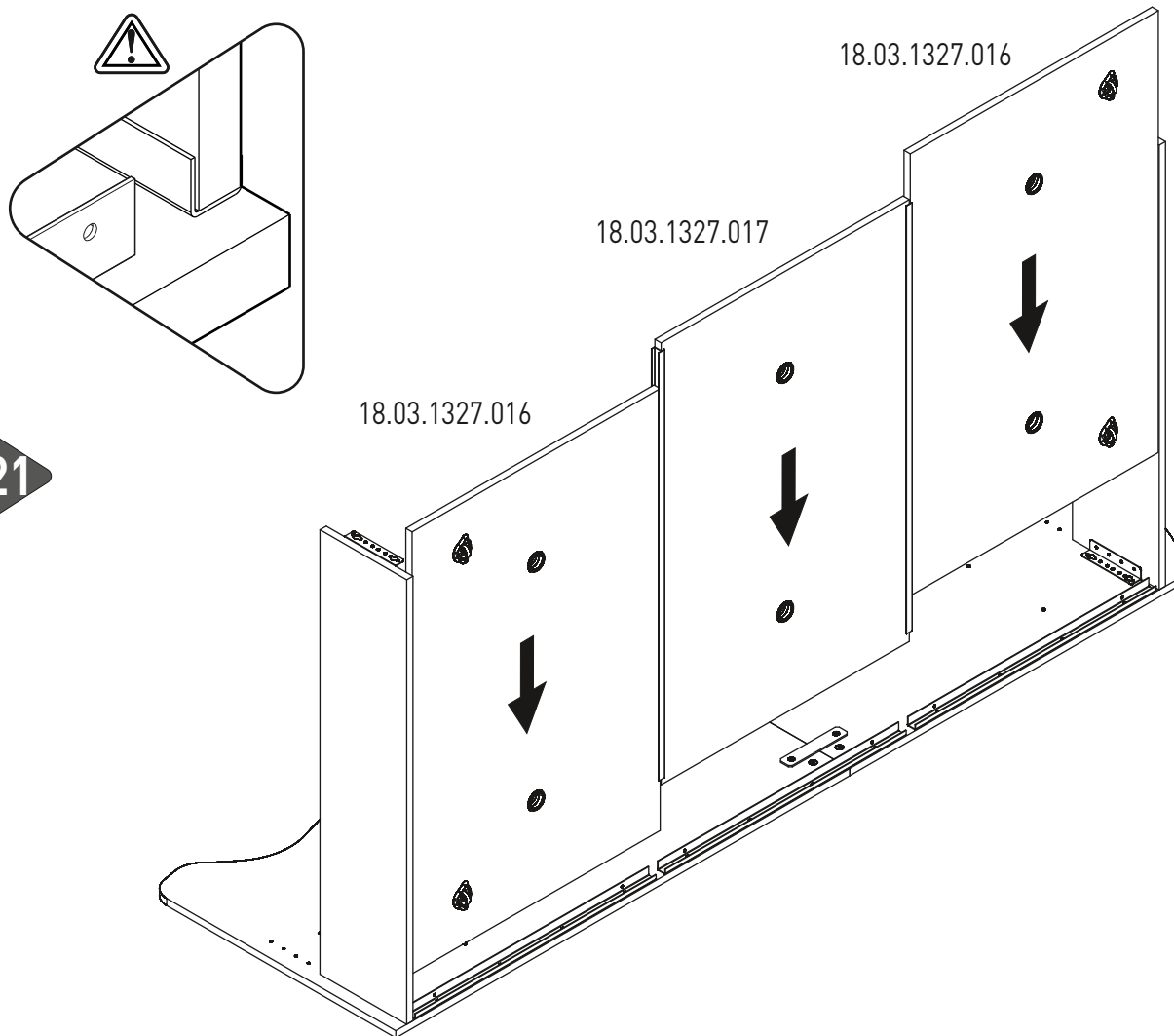
19



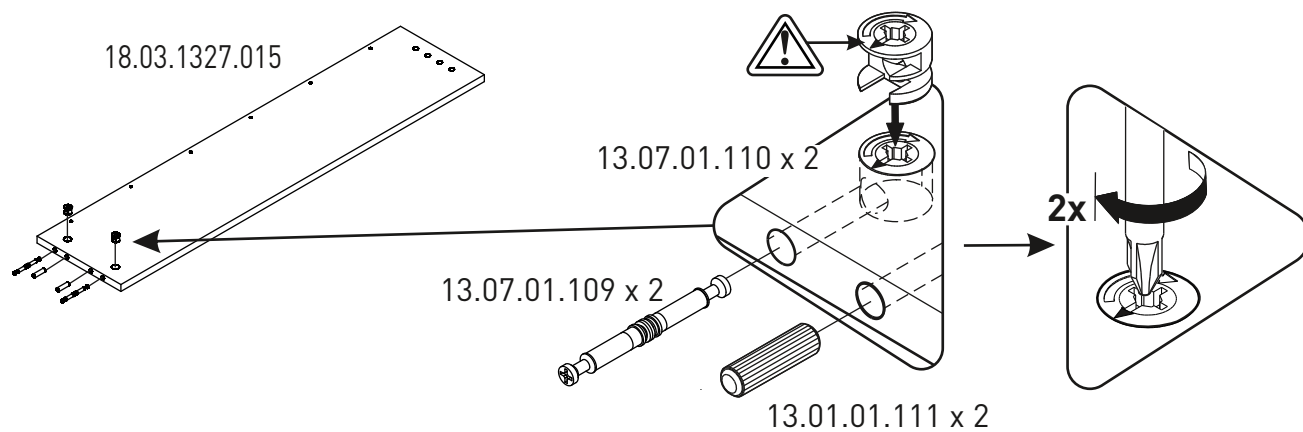
20



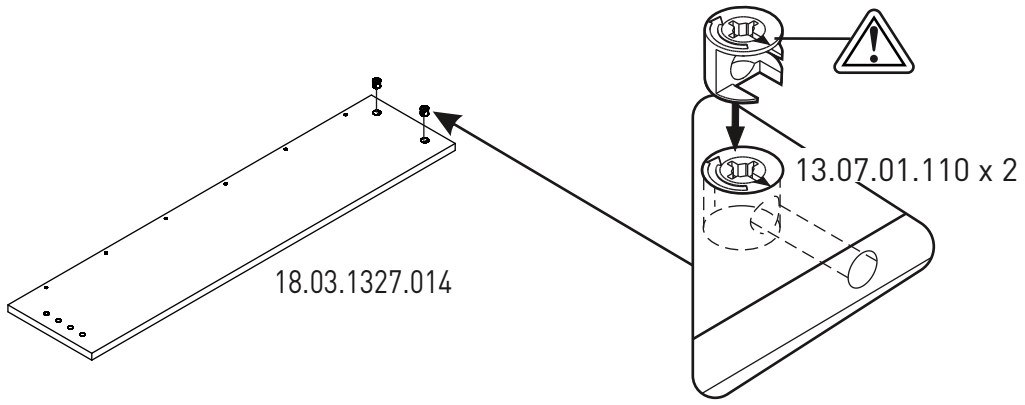
21



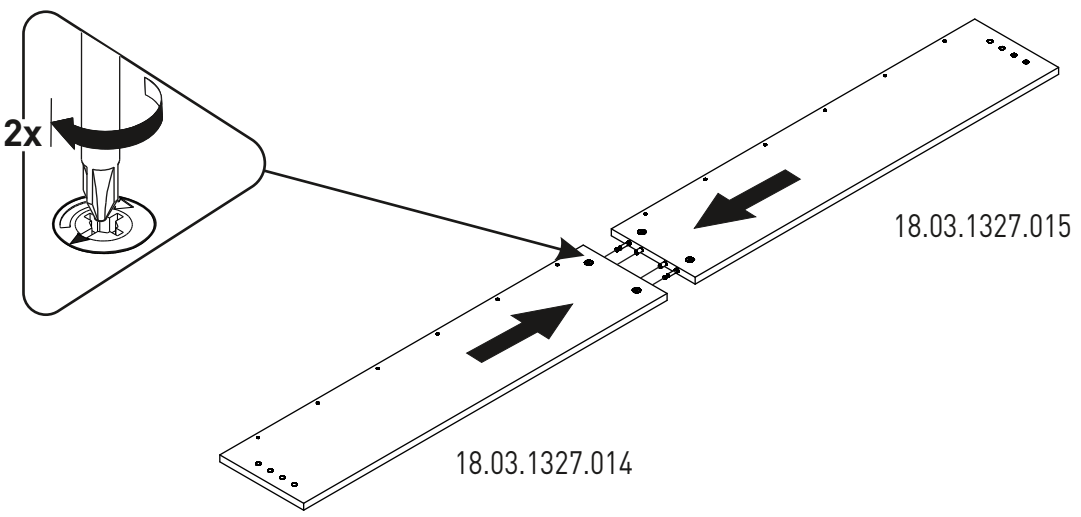
22



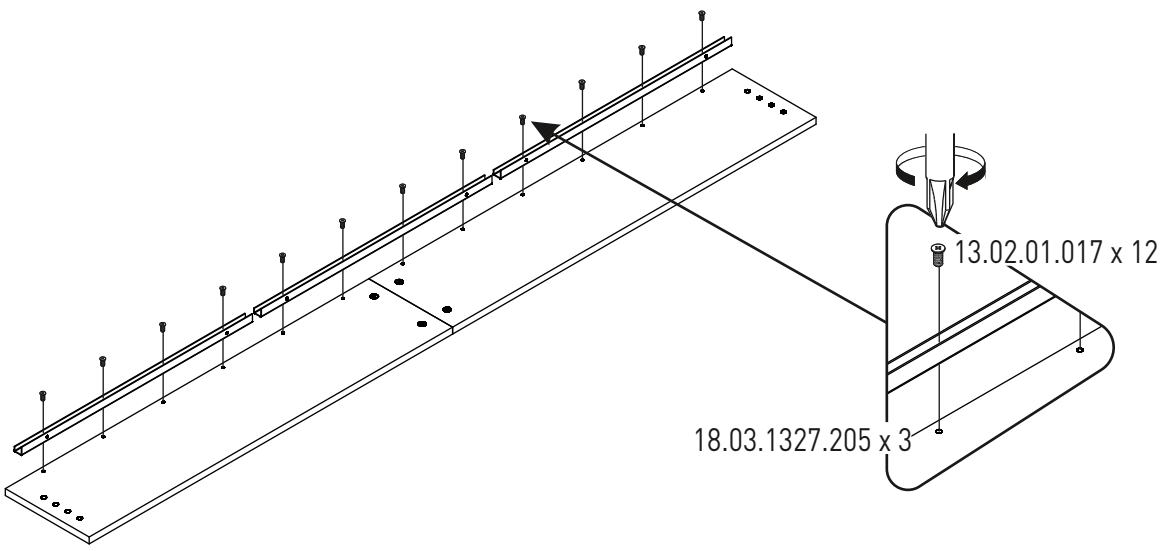
23

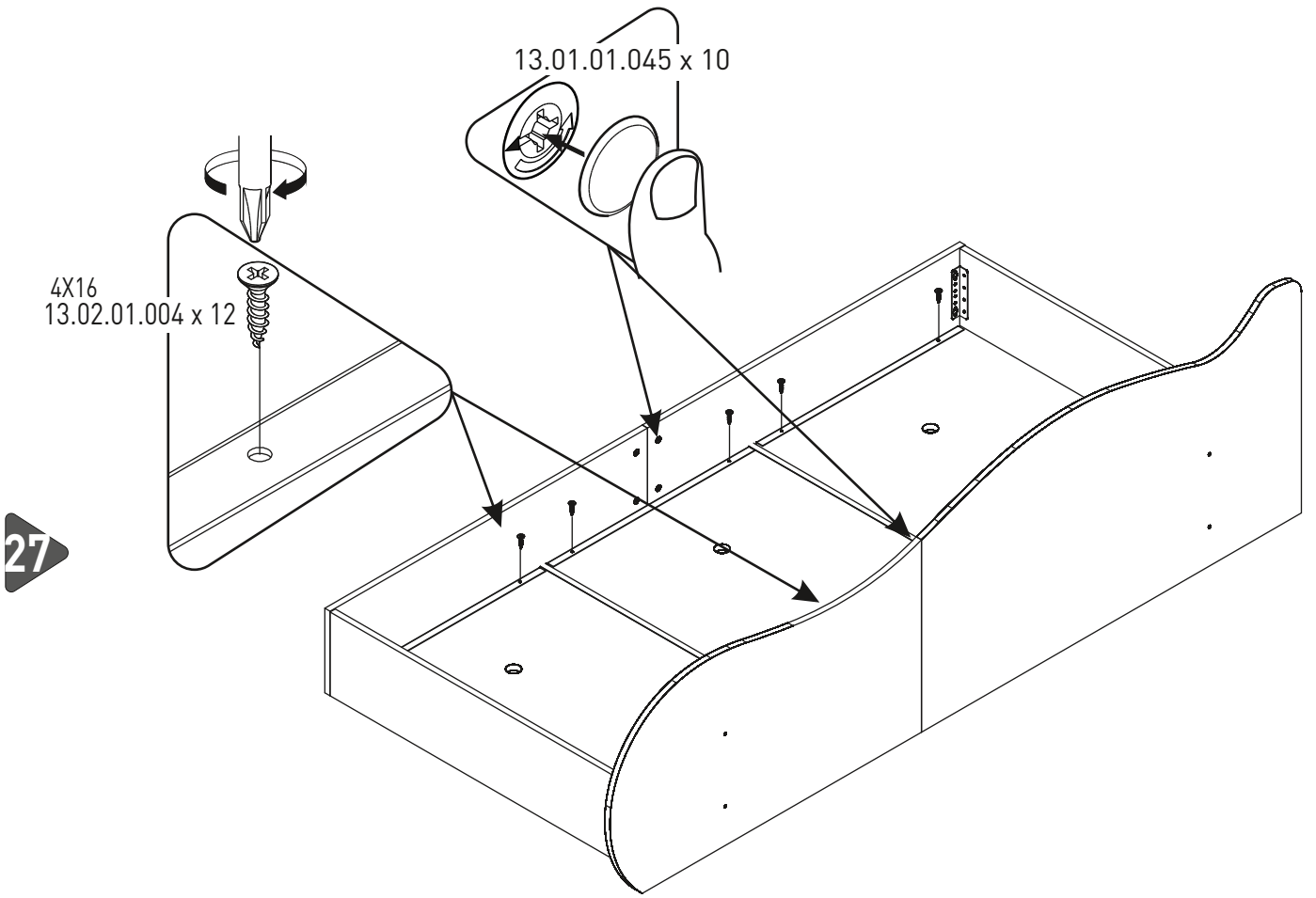
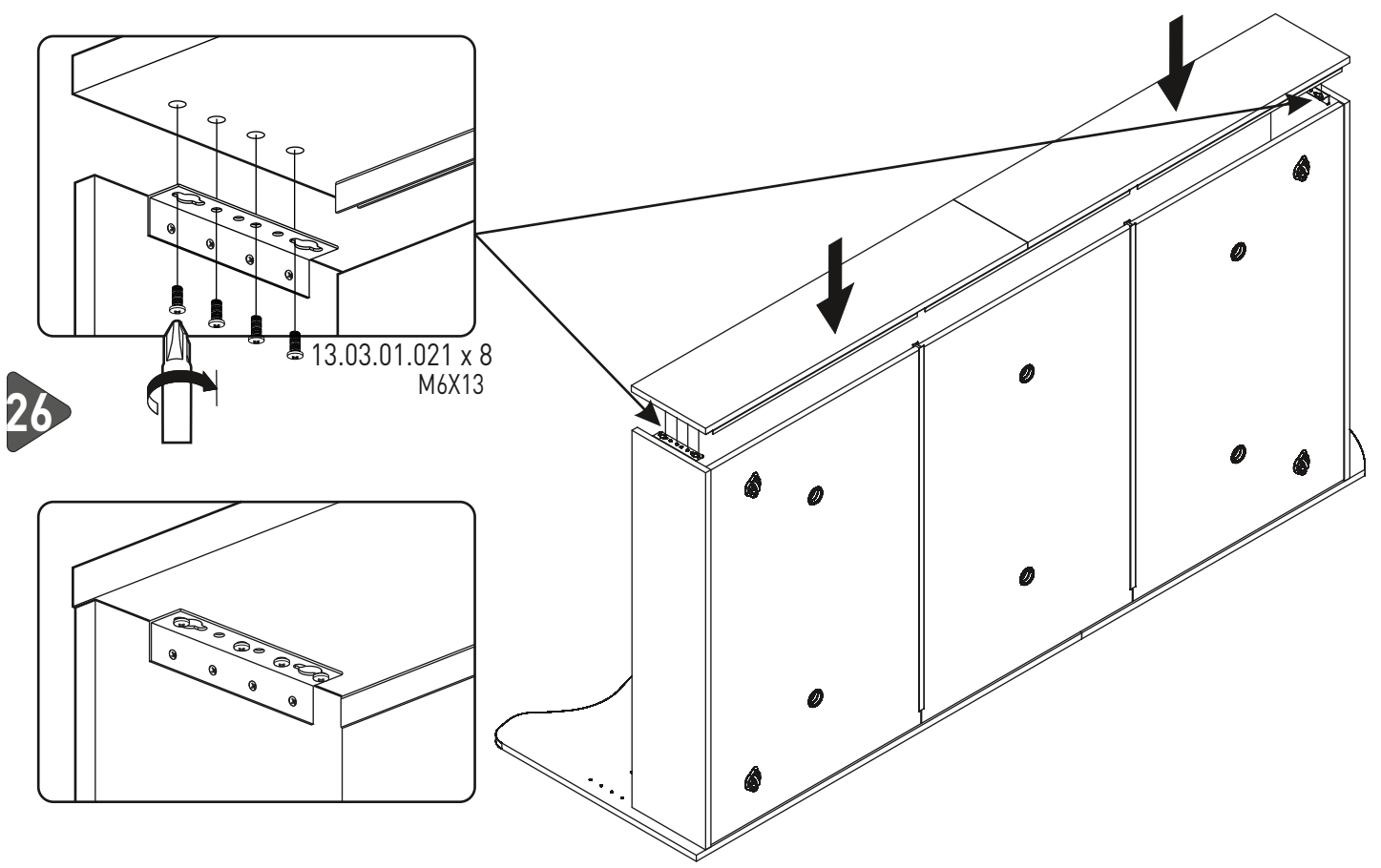


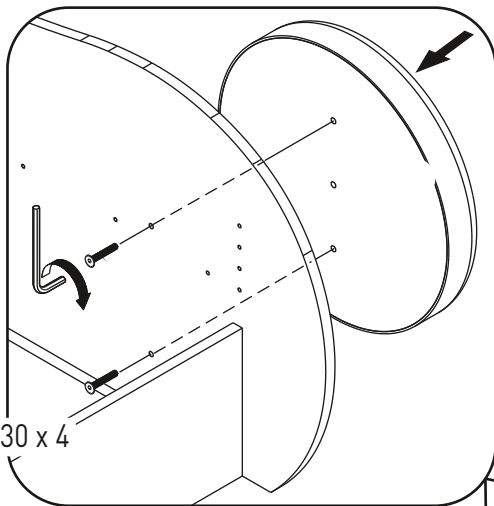
24



25



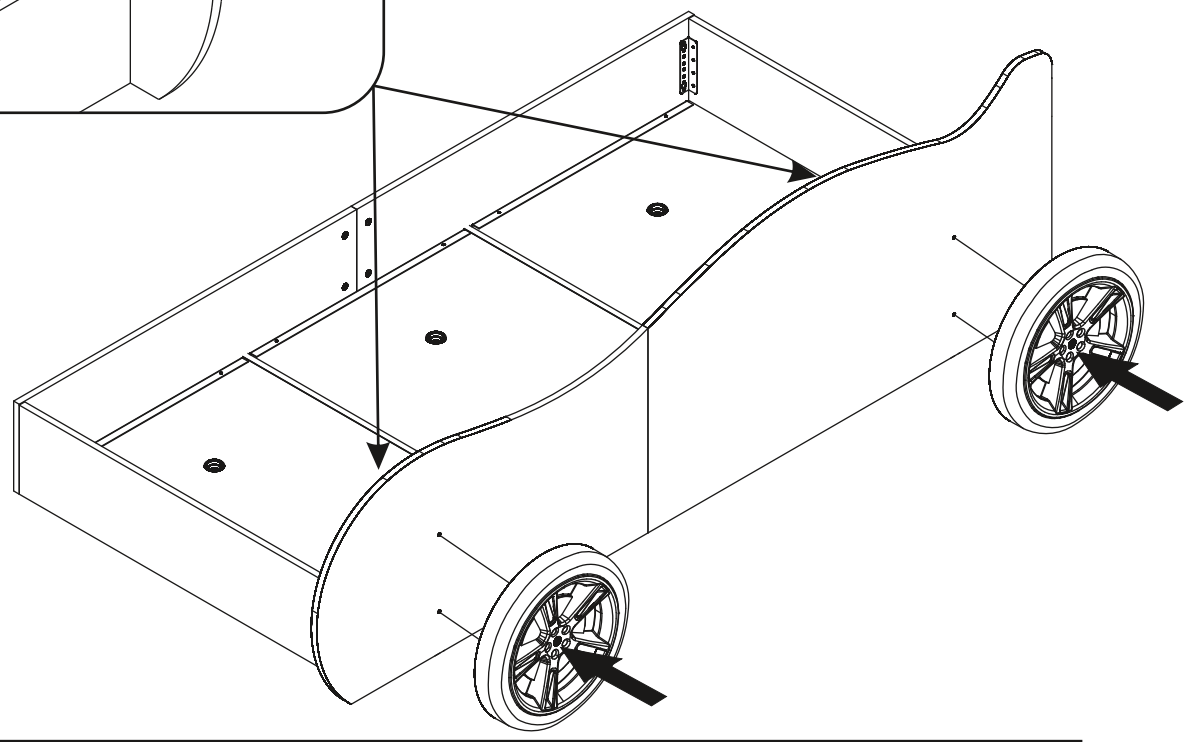




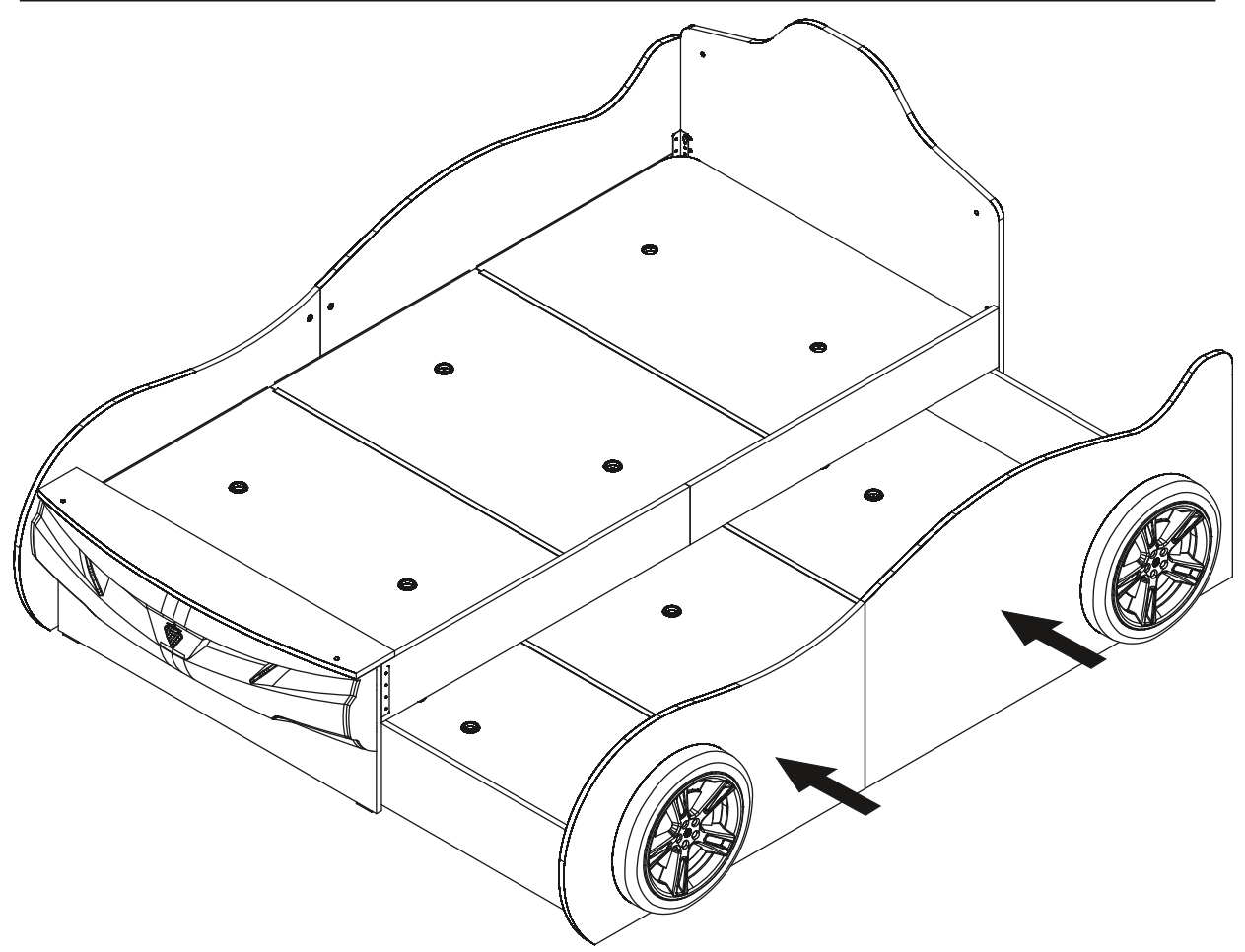
18.03.1327.019

M6X30
13.03.01.030 x 4

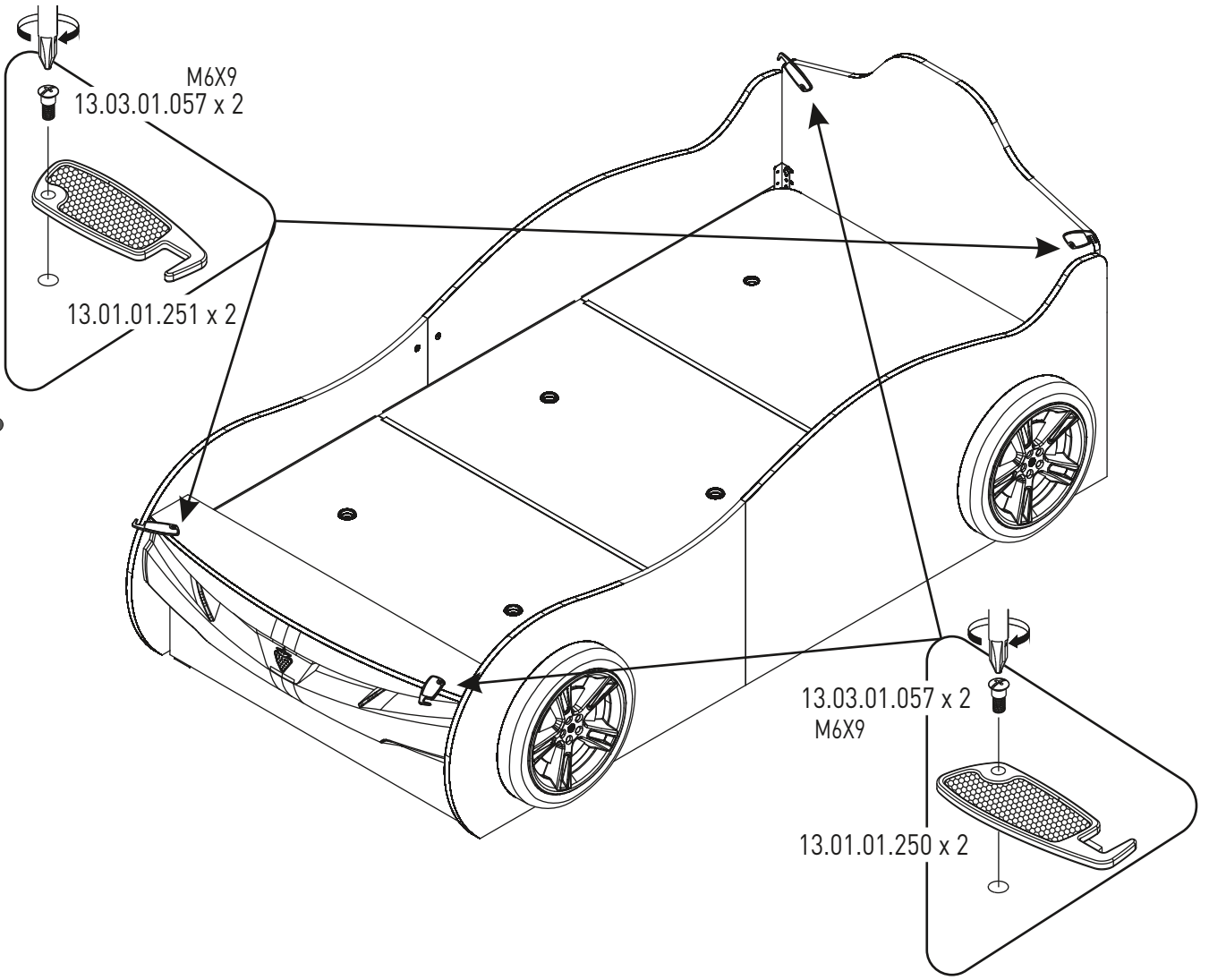
28



29



30



31

