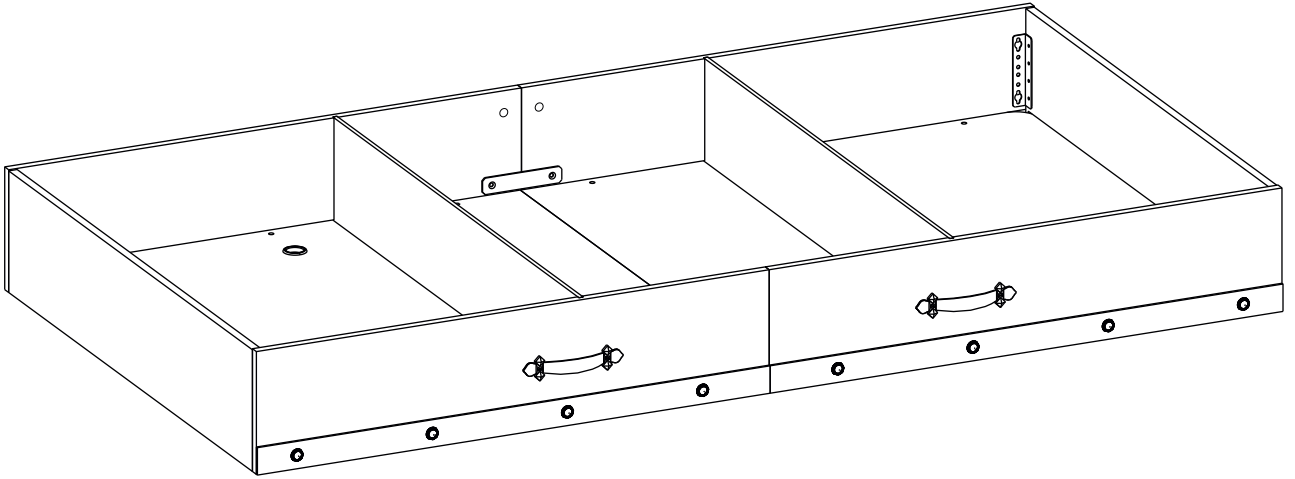
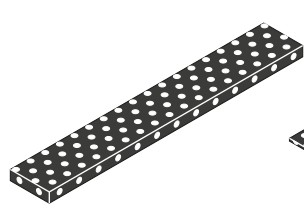
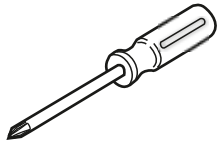
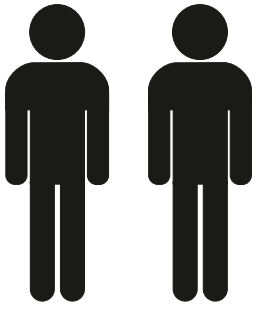
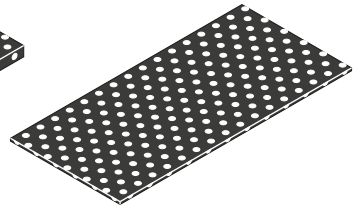


20.13.1318.00

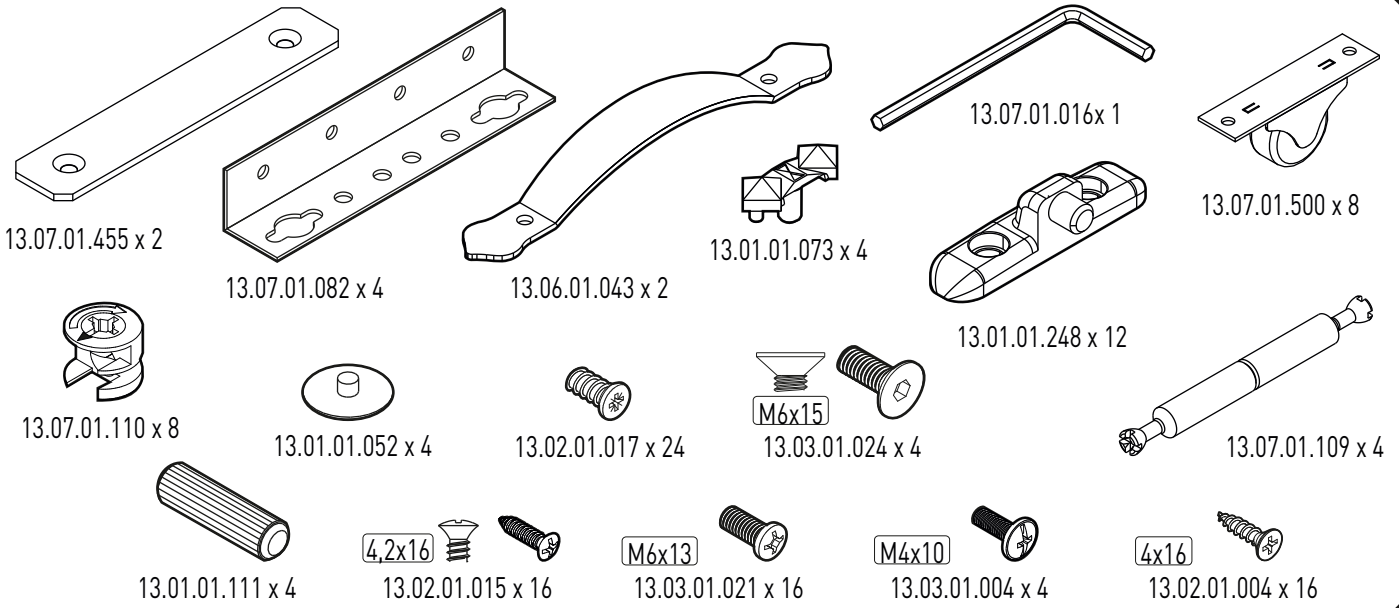




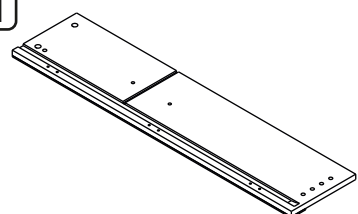
2 / 1



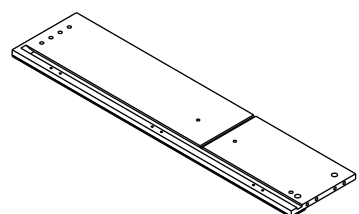
2 / 2



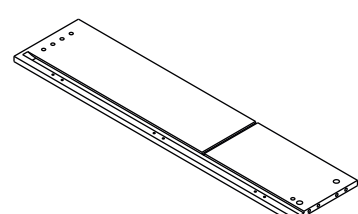
2 / 1



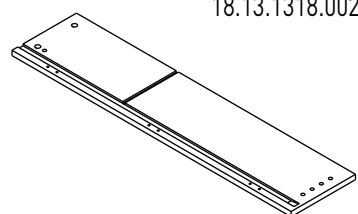
18.13.1318.001 x 1



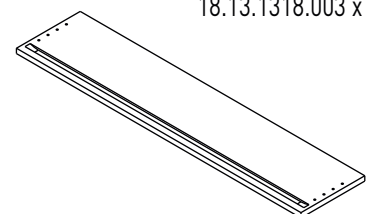
18.13.1318.002 x 1



18.13.1318.003 x 1

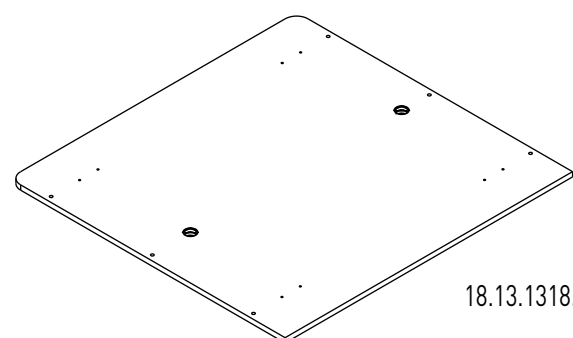


18.13.1318.004 x 1



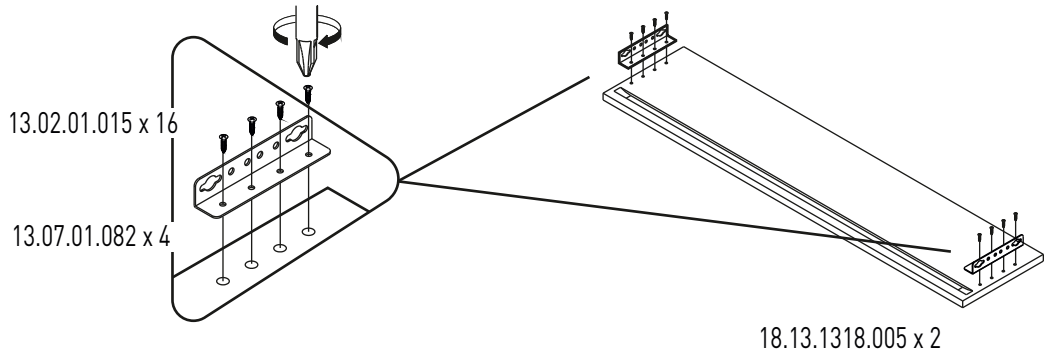
18.13.1318.005 x 2

2 / 2

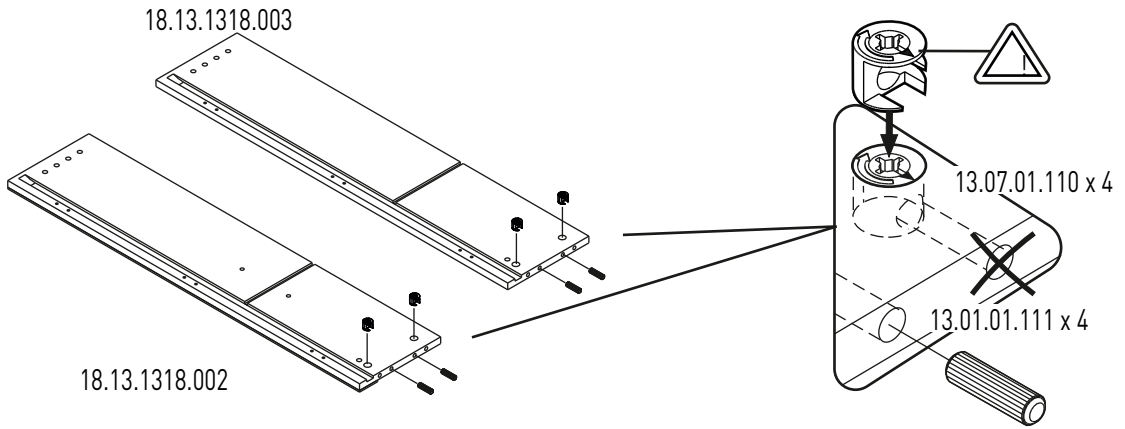


18.13.1318.006 x 2

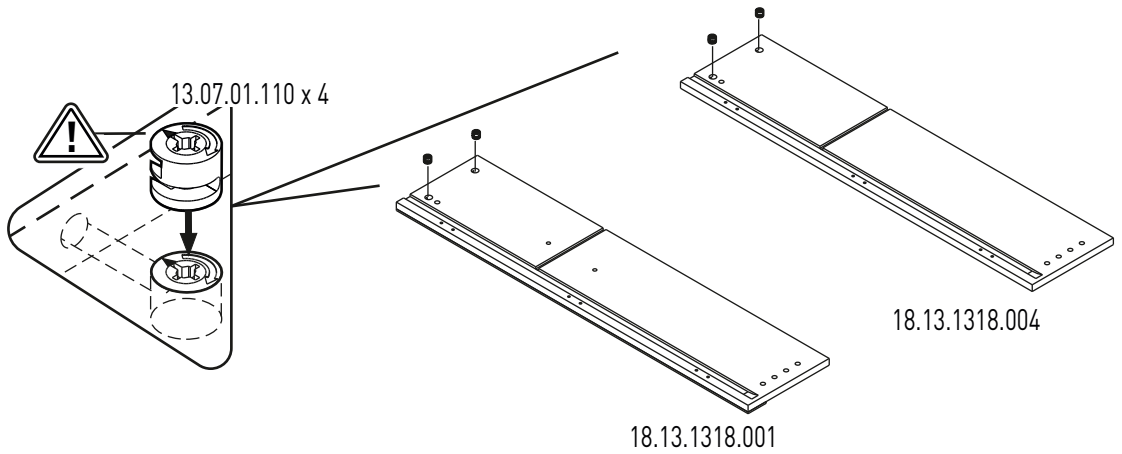
1



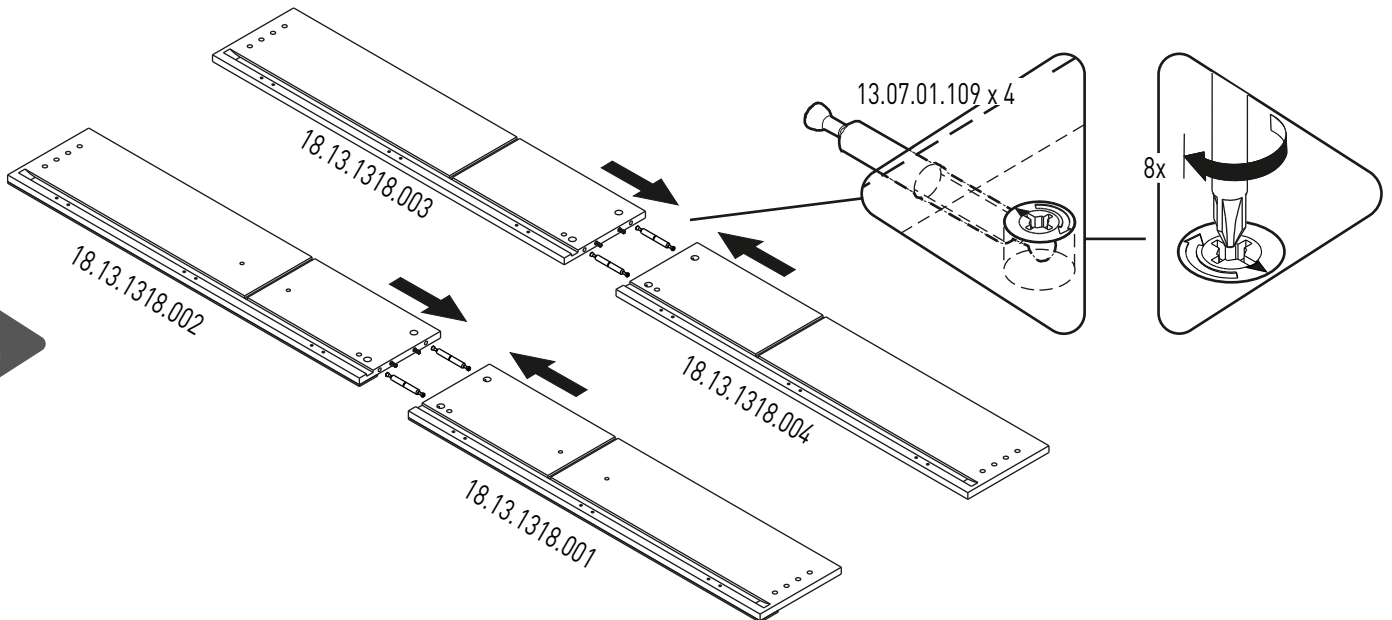
2



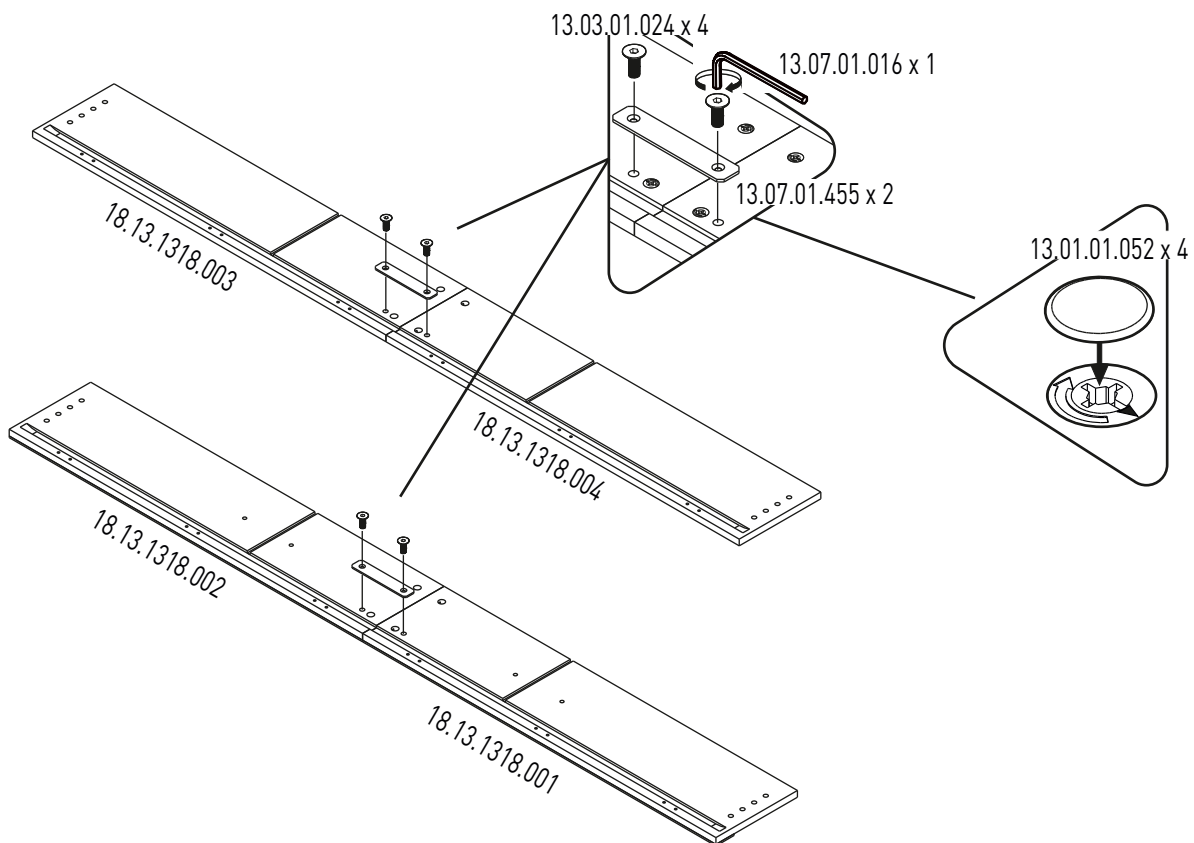
3



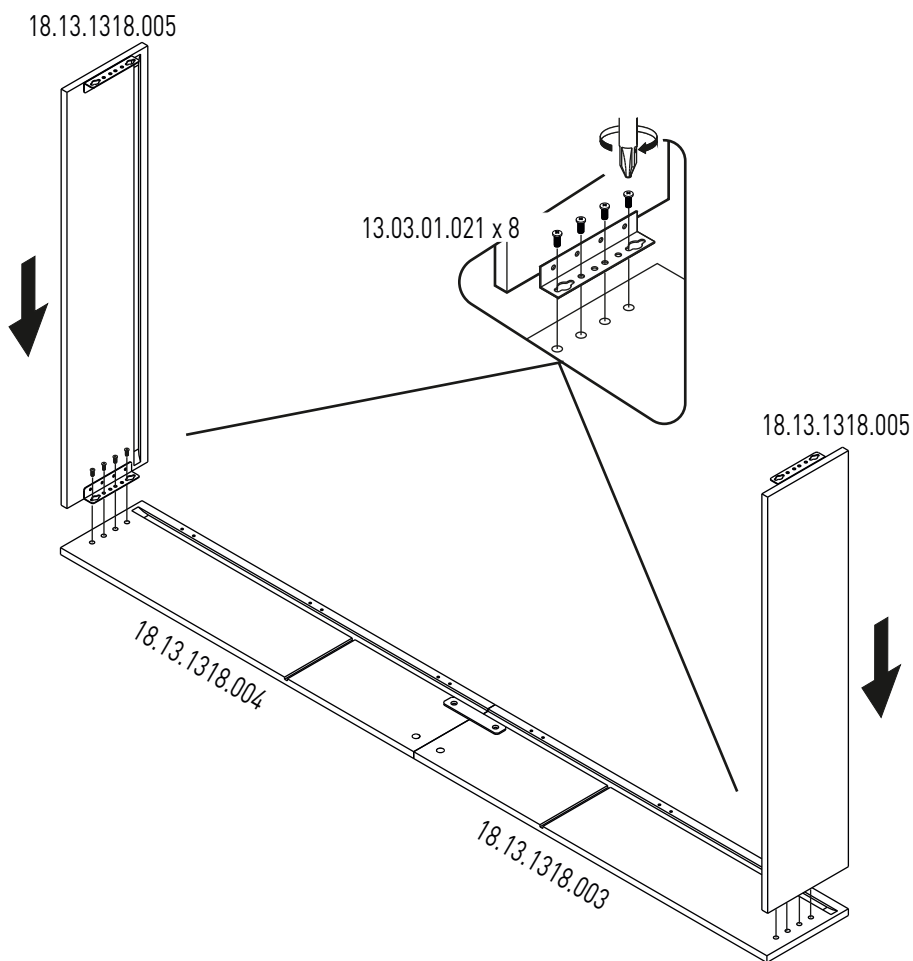
4



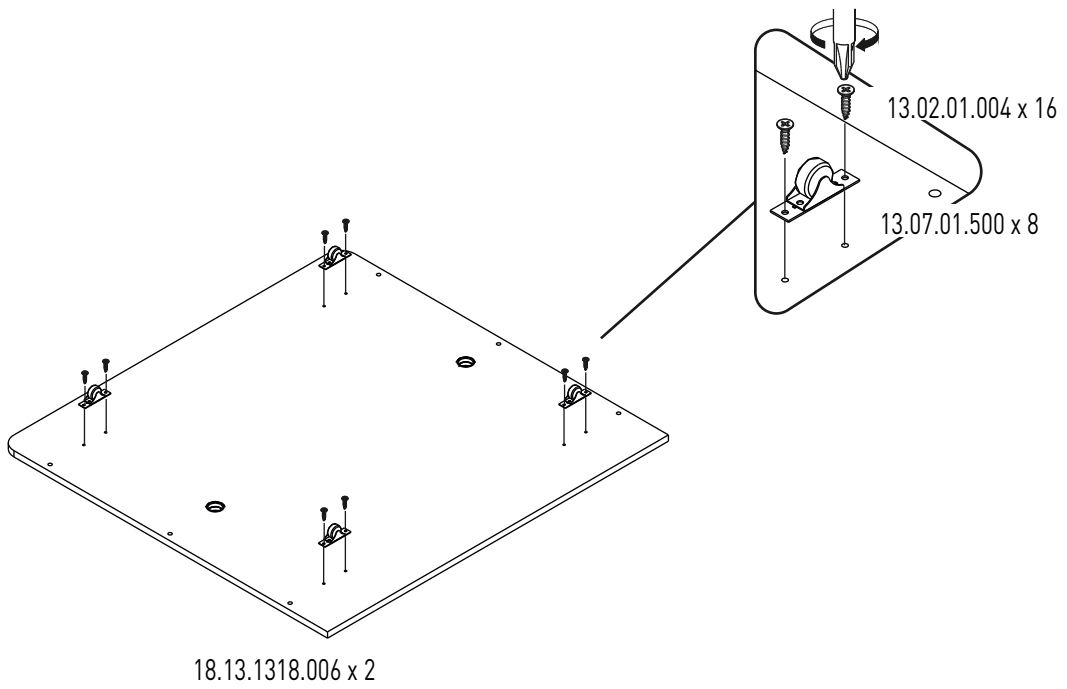
5



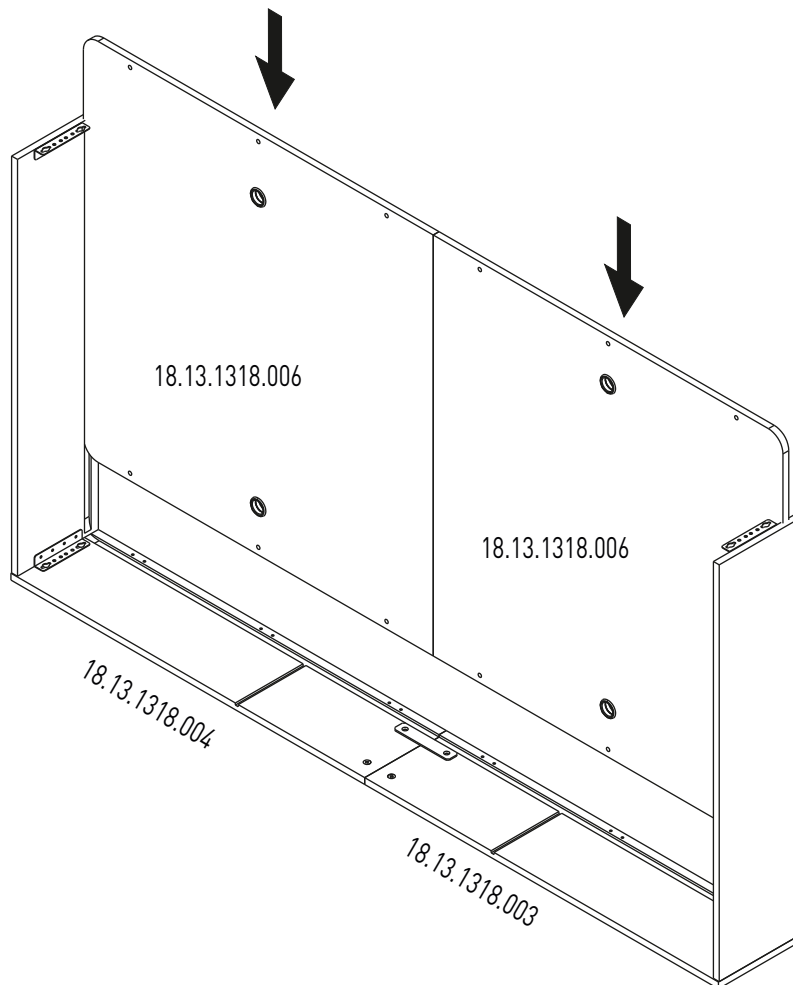
6



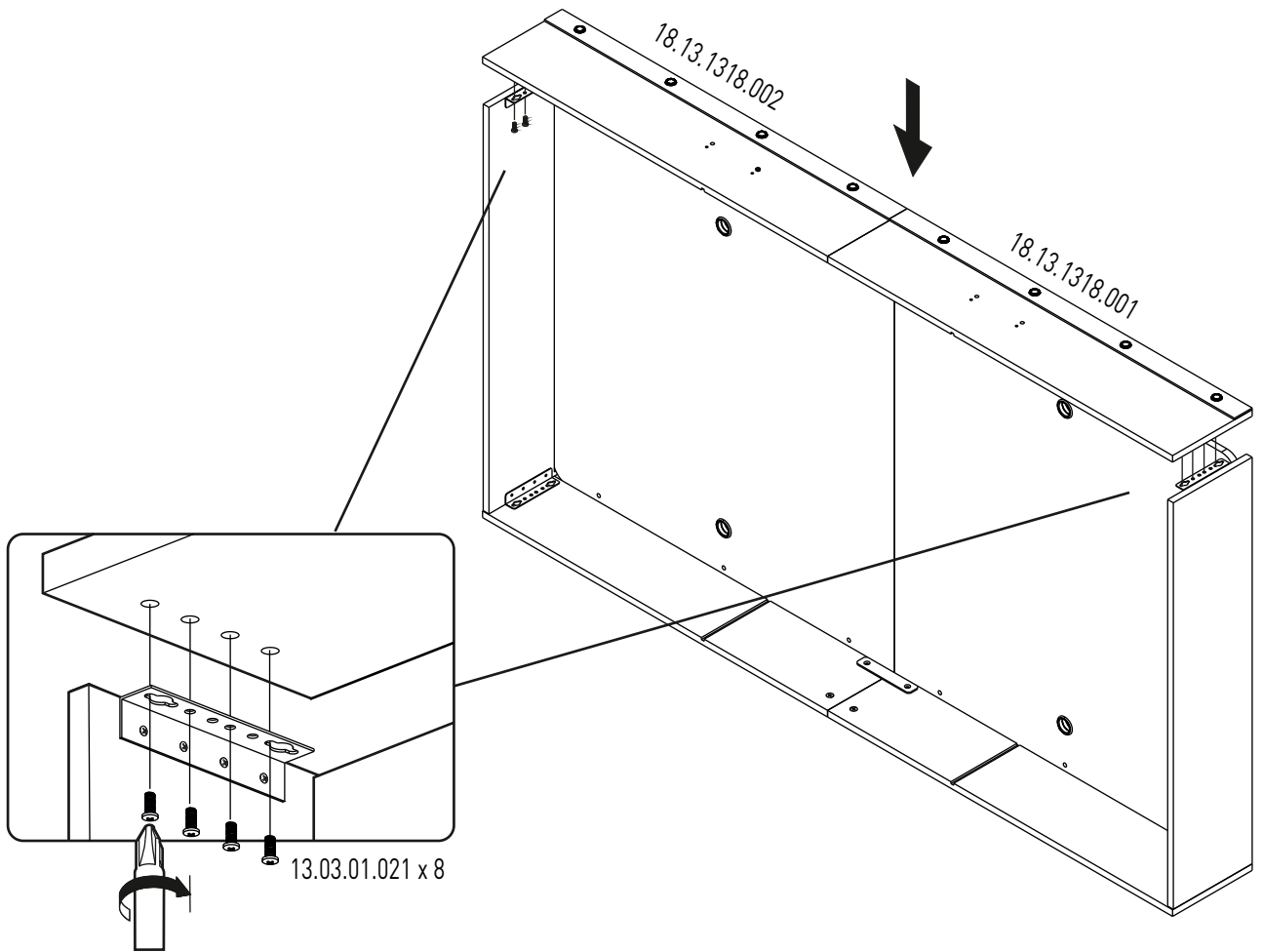
7



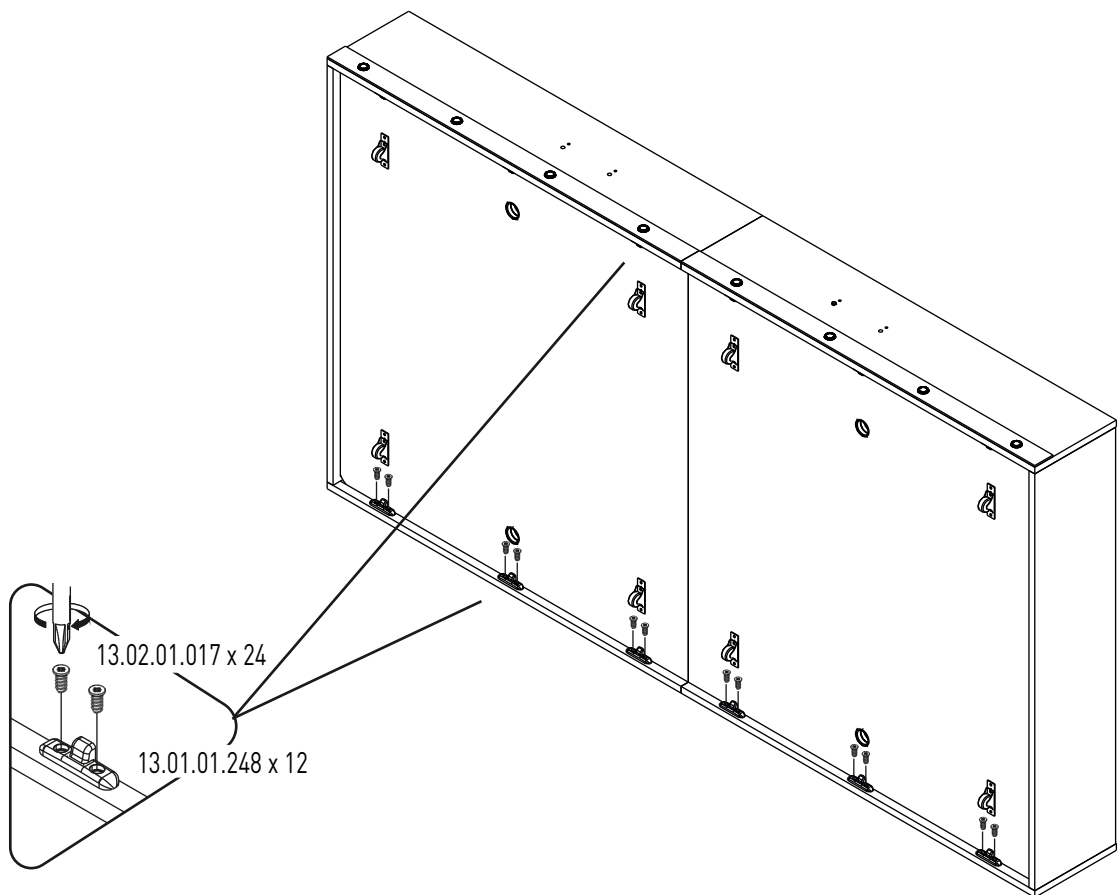
8



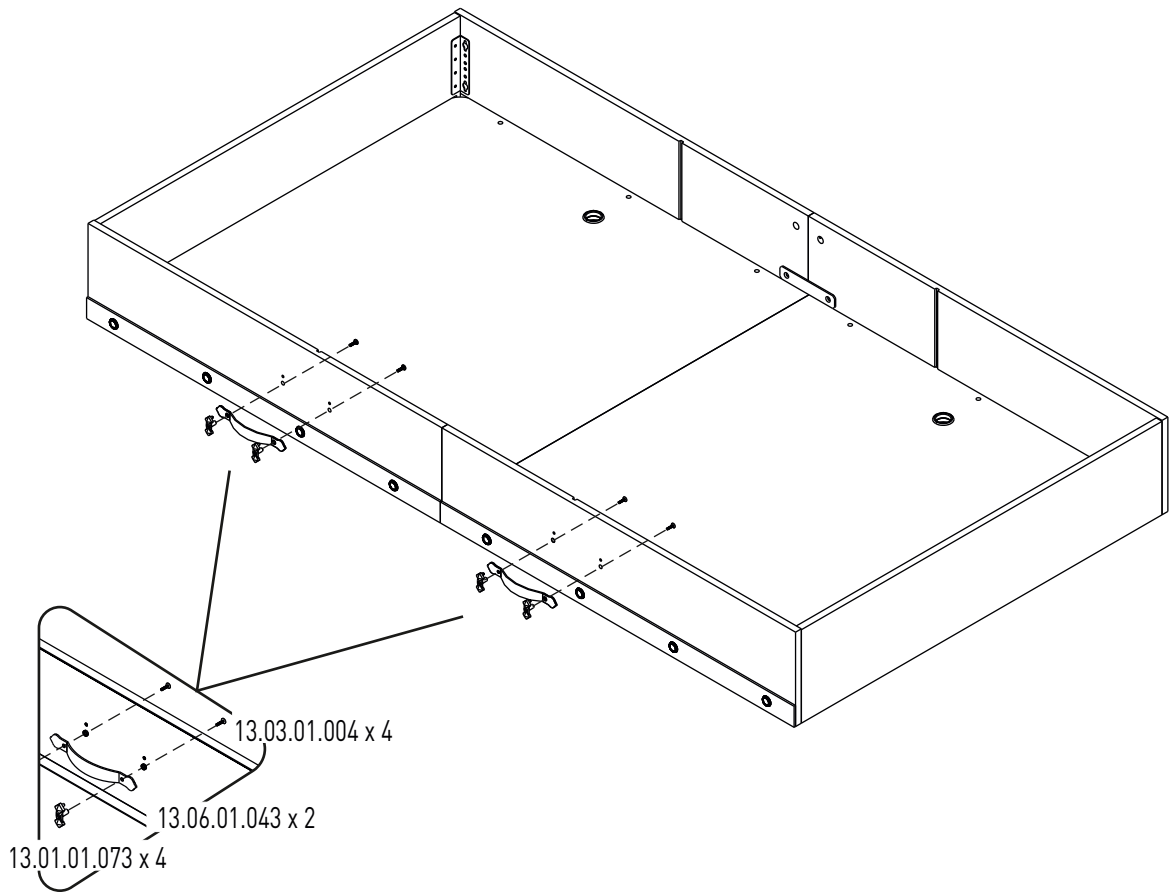
9



10



11



12

