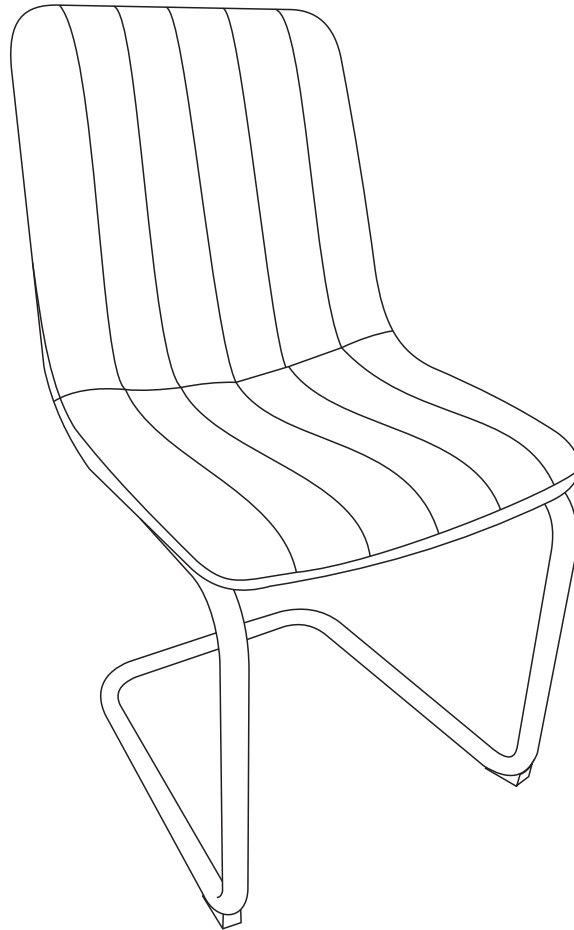


INSTRUCTION MANUAL

Model: A 788



Attention :

If you encounter any problems during installation or use, pls feel free to contact us on shopping platform. We will provide you with a satisfactory solution within 24 hours.

Dining chair



1 - ITEMS DELIVERED-TECHNICAL DATA



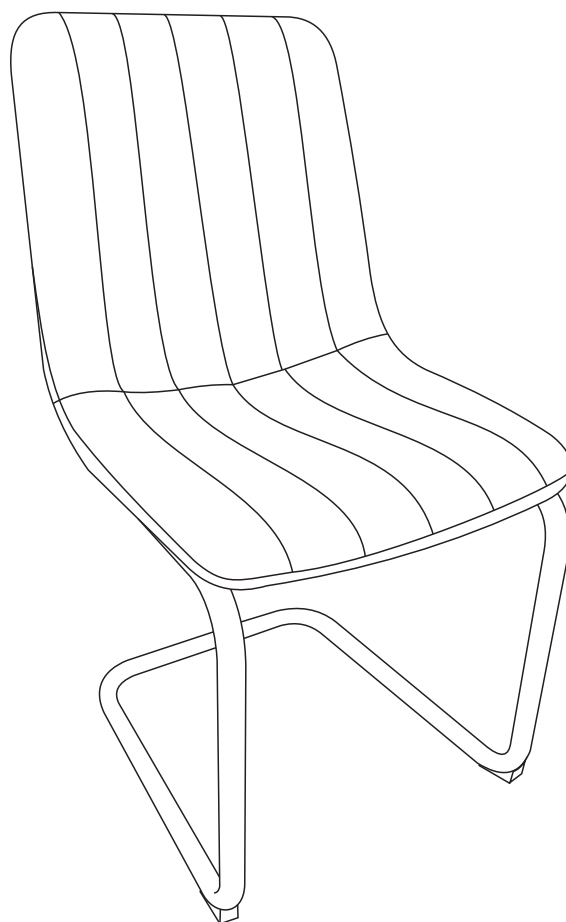
2 - ASSEMBLY



3 - CLEANING AND MAINTENANCE



1 - ITEMS DELIVERED-TECHNICAL DATA



TO RISE



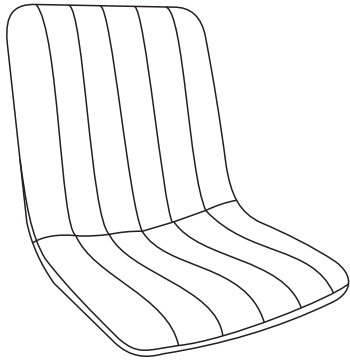
YOURSELF



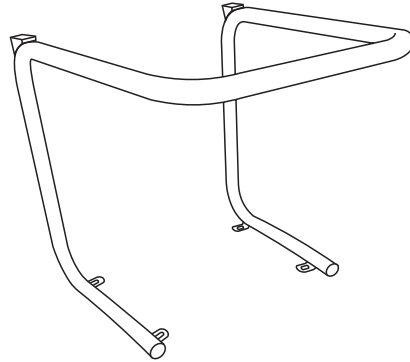
ASSEMBLY



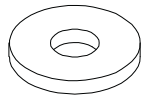
2 - ASSEMBLY



(A)*1

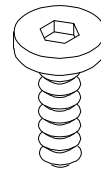


(B)*1

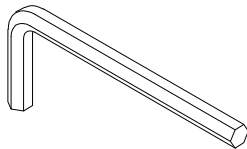


(C)*4

6*16 (D)*4

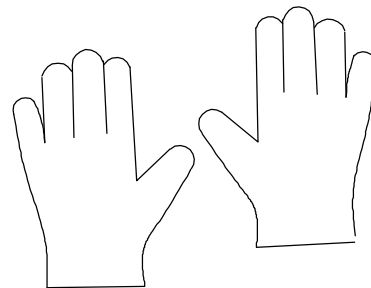


6*16



(E)*1

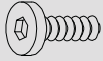
5# (F)*1



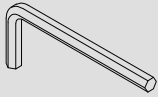
1



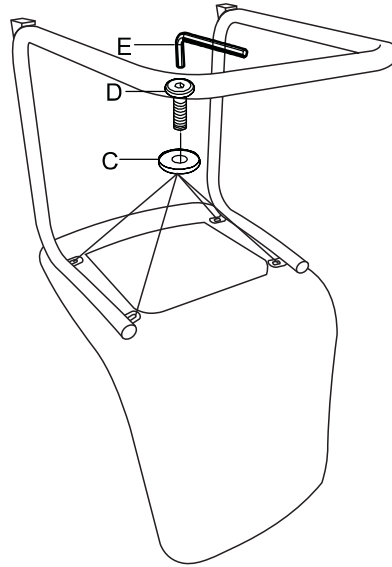
(C)*4 6*16



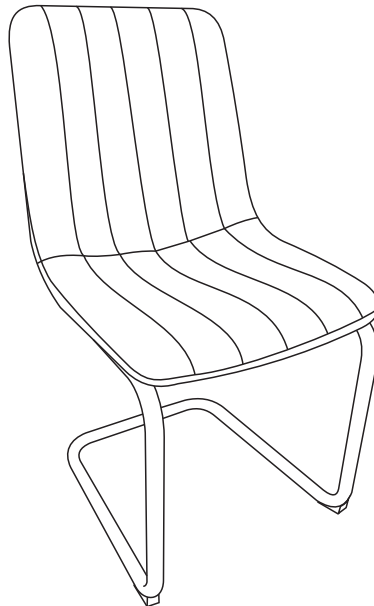
(D)*4 6*16



(E)*1 5#



2



3 - CLEANING AND MAINTENANCE

- Do not use corrosive or abrasive for cleaning products.
- Clean with a soft cloth
- Don't interfere with metal objects in a mechanism, so that they are threatened with serious deterioration.

3