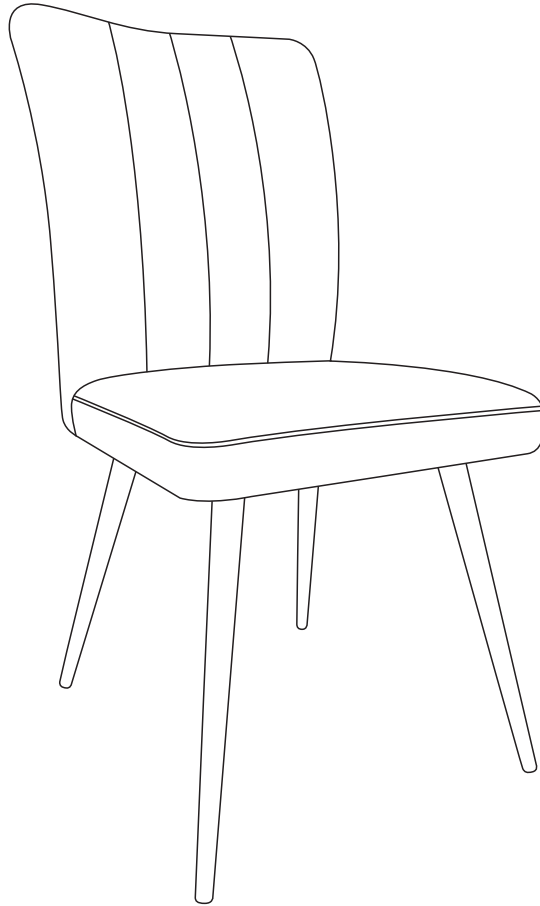


INSTRUCTION MANUAL

Model: A812



Attention :

If you encounter any problems during installation or use, pls feel free to contact us on shopping platform. We will provide you with a satisfactory solution within 24 hours.

Dining chair



1 - ITEMS DELIVERED-TECHNICAL DATA



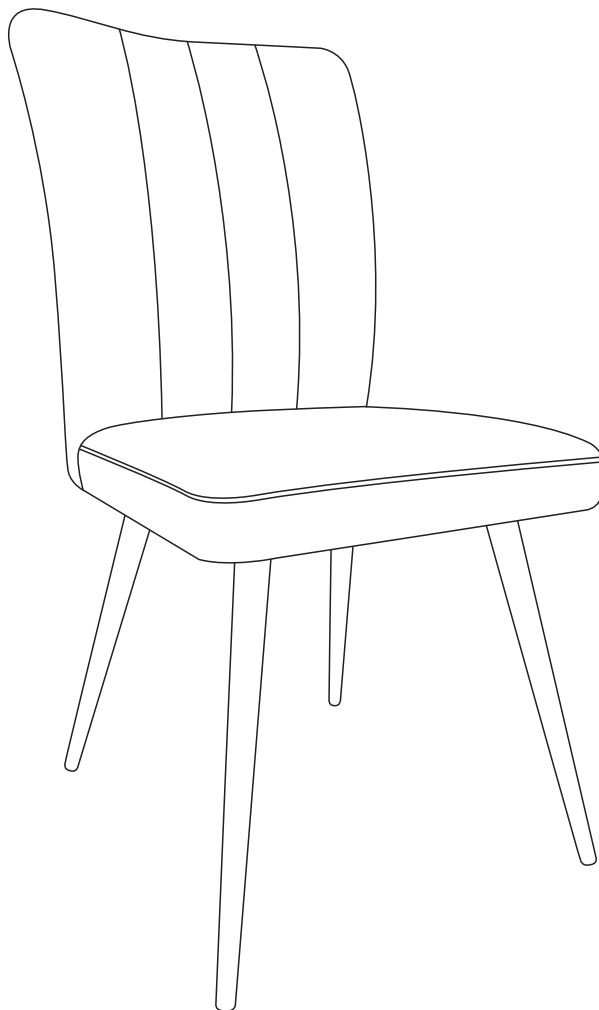
2 - ASSEMBLY



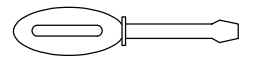
3 - CLEANING AND MAINTENANCE



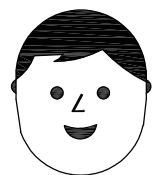
1 - ITEMS DELIVERED-TECHNICAL DATA



TO RISE



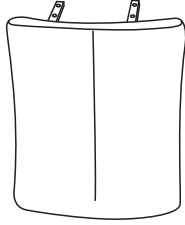
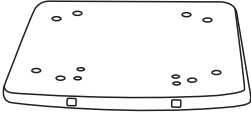




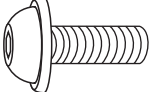
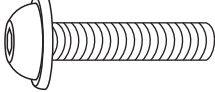
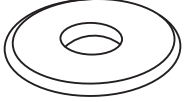
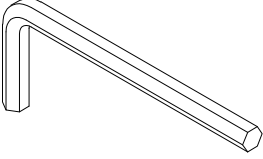
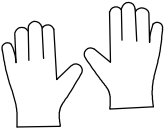
YOURSELF



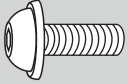
ASSEMBLY




2 - ASSEMBLY

<p>(A)*1</p> 	<p>(B)*1</p> 
<p>(C)*1</p>  	<p>(D)*1</p>  
<p>(E)*8</p>  <p>M8x25mm</p>	<p>(F)*4</p>  <p>M6x40mm</p>
<p>(G)*4</p>  <p>M6x18mm</p>	<p>(H)*1</p>  <p>M5</p>
<p>(I)*1</p> 	


- (E)*8



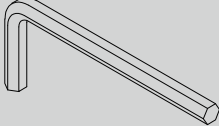
M8x25mm
- (F)*4



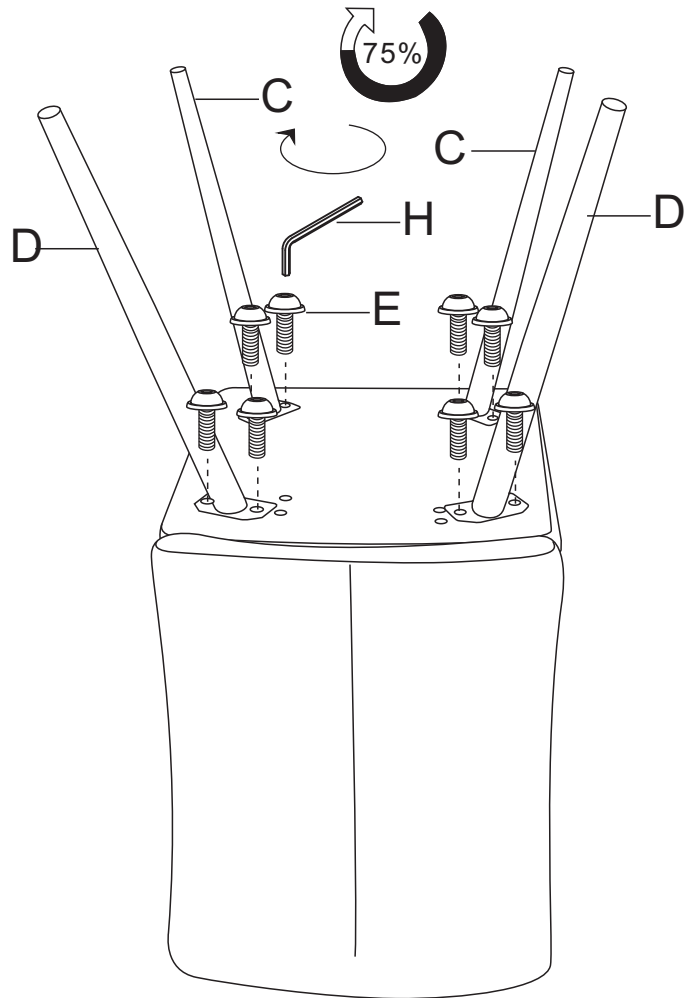
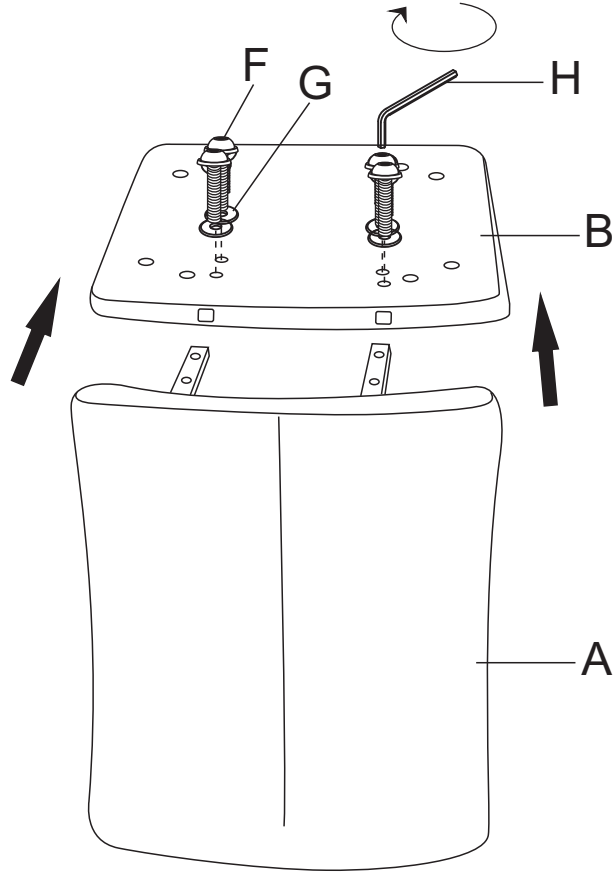
M6x40mm
- (G)*4

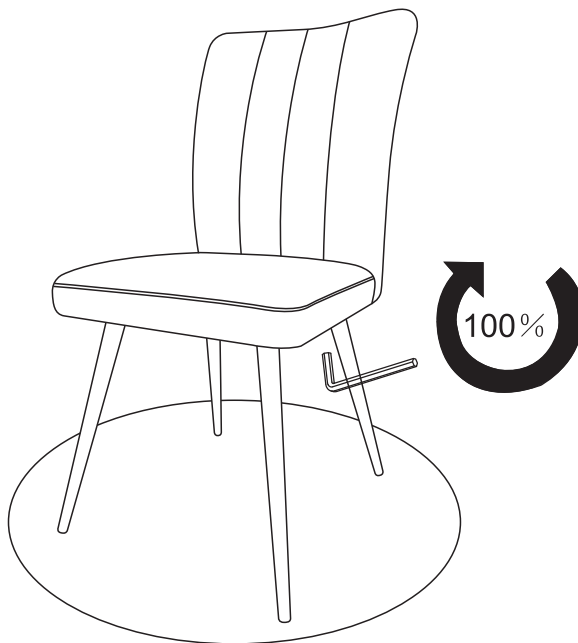
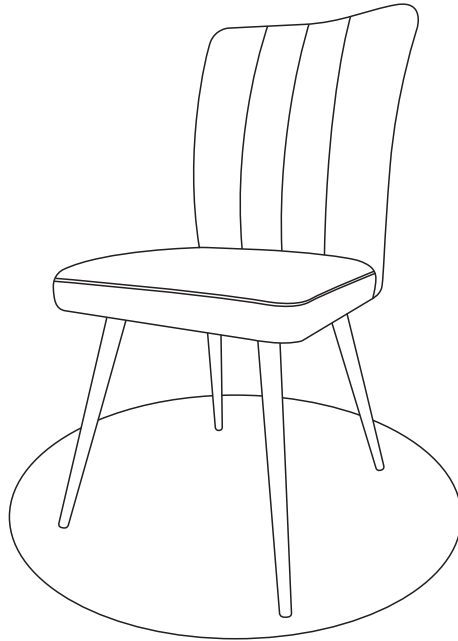


M6x18mm
- (H)*1



M5





3 - CLEANING AND MAINTENANCE

- Do not use corrosive or abrasive for cleaning products.
- Clean with a soft cloth
- Don't interfere with metal objects in a mechanism, so that they are threatened with serious deterioration.