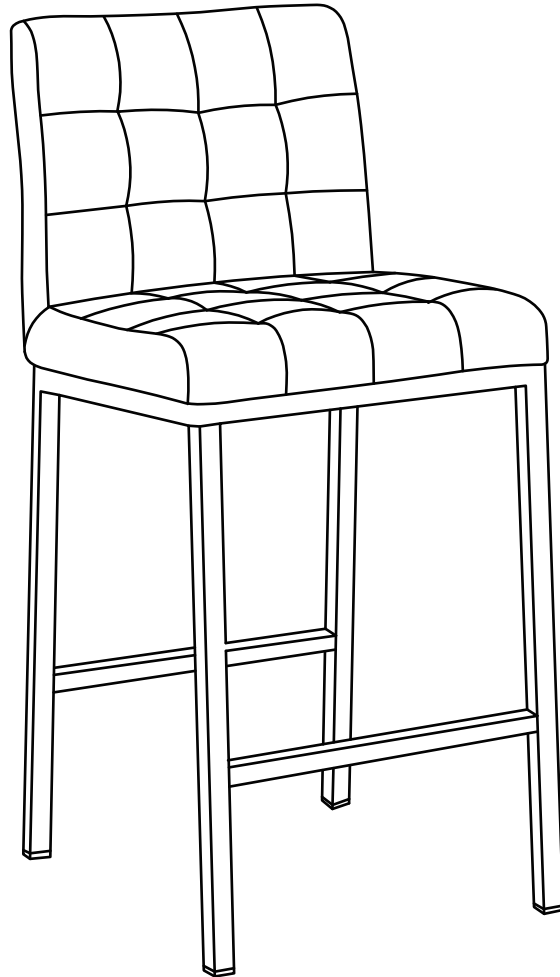


# INSTRUCTION MANUAL

Model: Y1712-1



## Attention :

If you encounter any problems during installation or use, pls feel free to contact us on shopping platform. We will provide you with a satisfactory solution within 24 hours.

# Bar chair



1 - ITEMS DELIVERED-TECHNICAL DATA



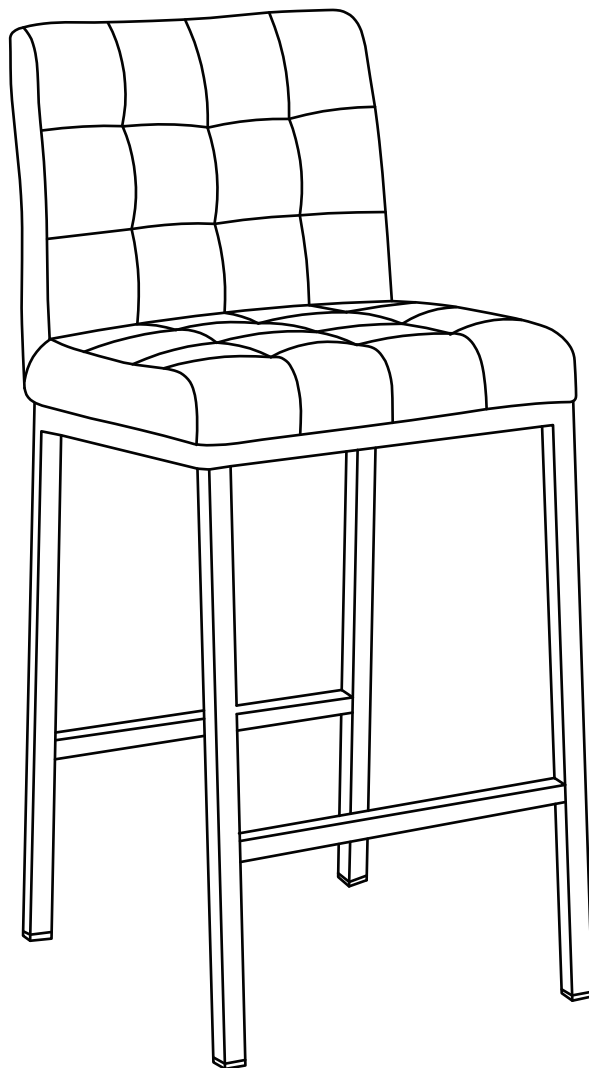
2 - ASSEMBLY



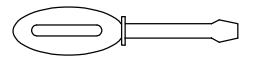
3 - CLEANING AND MAINTENANCE



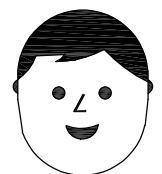
1 - ITEMS DELIVERED-TECHNICAL DATA



TO RISE



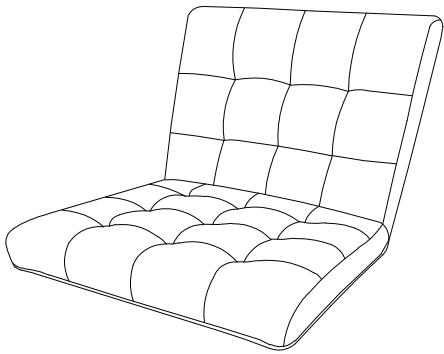
YOURSELF



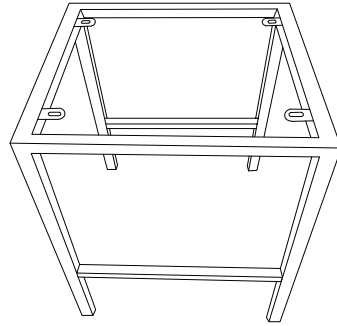
ASSEMBLY



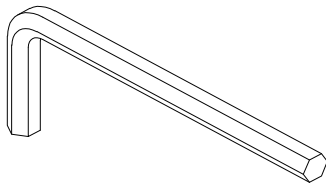
## 2 - ASSEMBLY



**(A)\*1**

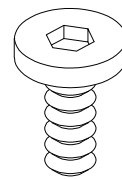


**(B)\*1**



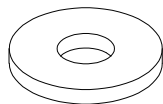
**(C)\*1**

**5#**



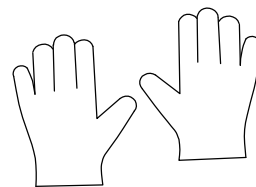
**(D)\*4**

**M6\*18**

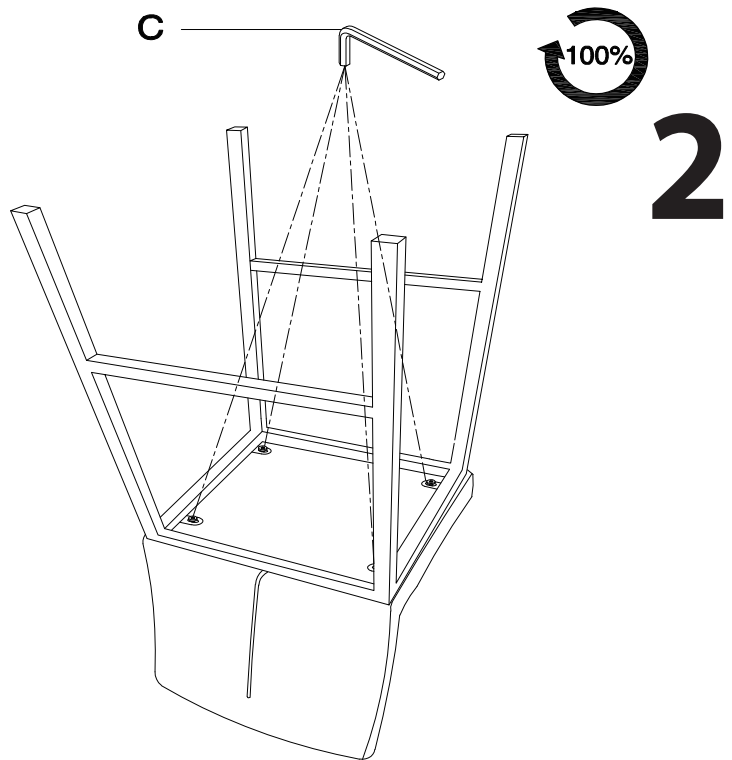
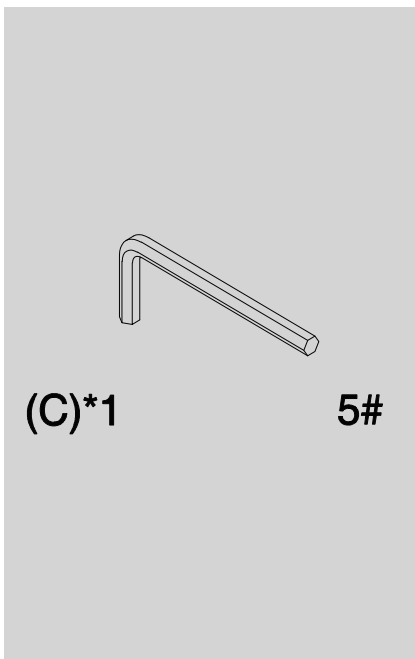
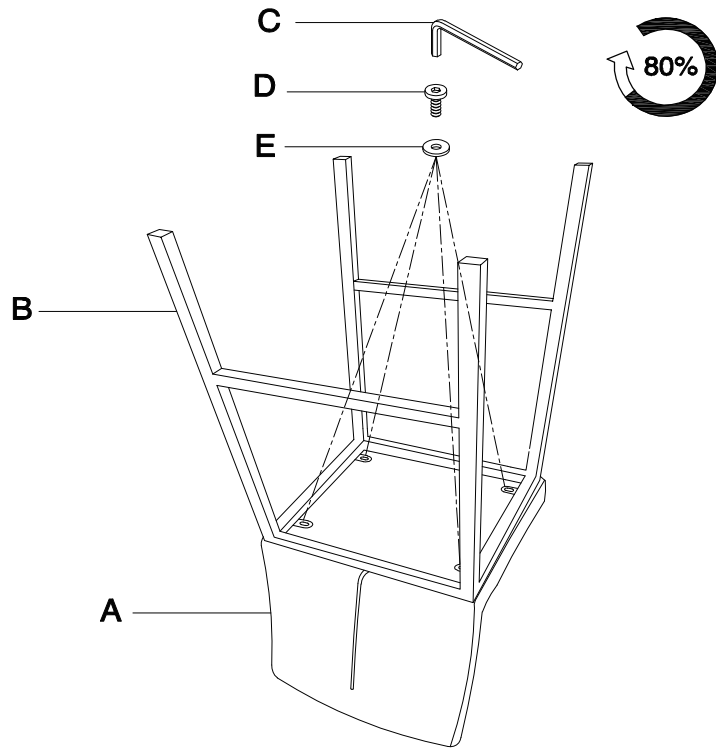
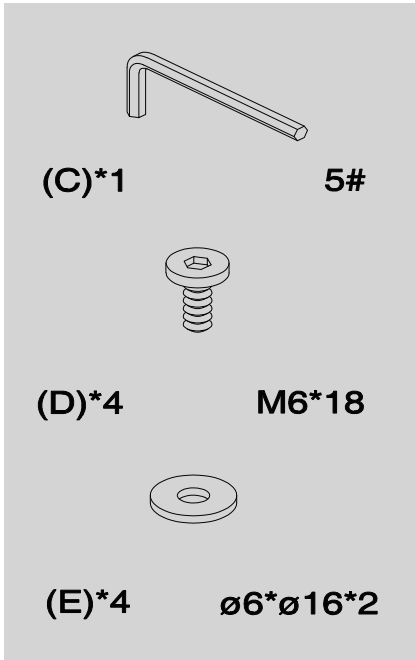


**(E)\*4**

**ø6\*ø16\*2**



**(F)\*1**



 3 - CLEANING AND MAINTENANCE

- Do not use corrosive or abrasive for cleaning products.
- Clean with a soft cloth
- Don't interfere with metal objects in a mechanism, so that they are threatened with serious deterioration.