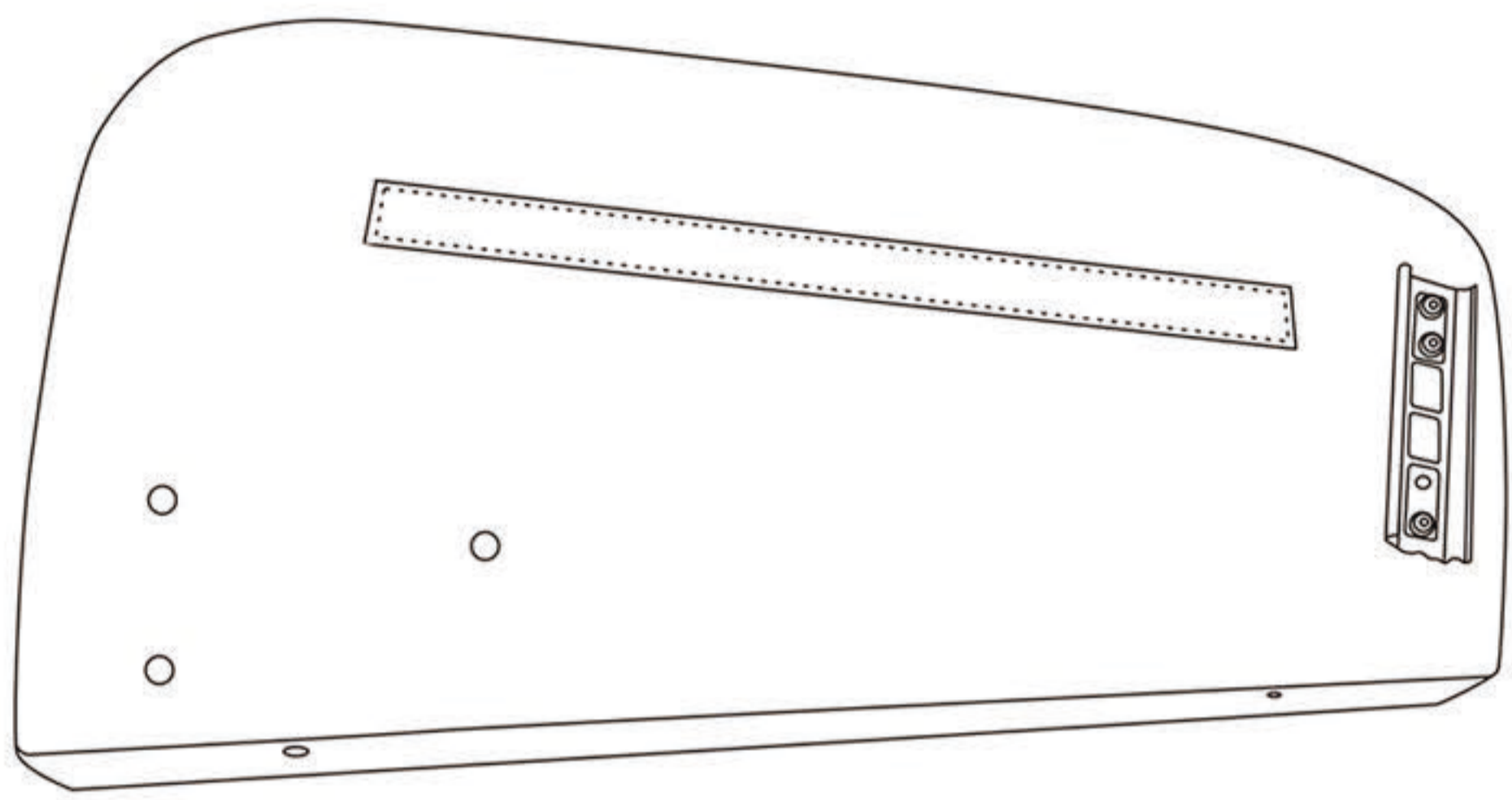
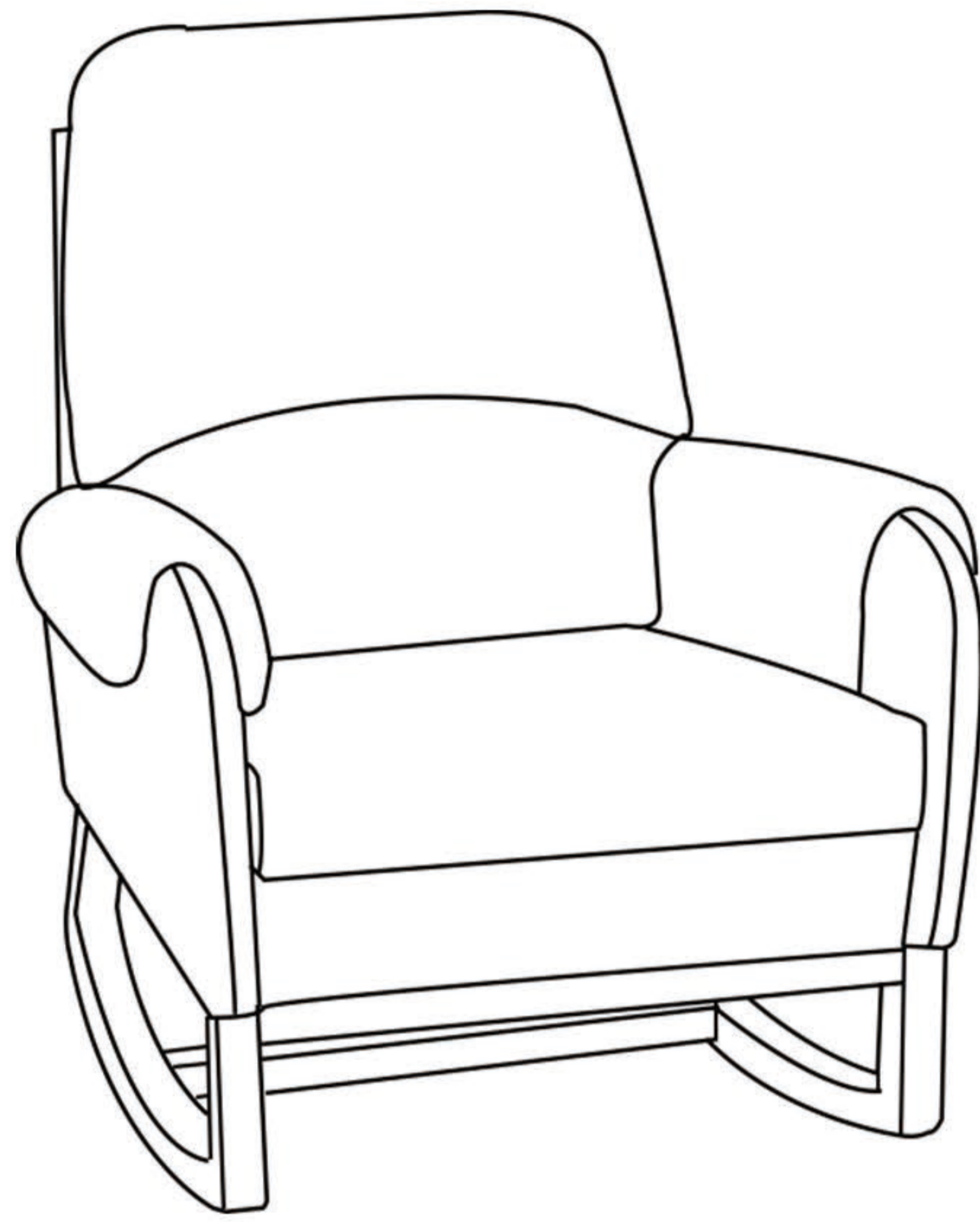
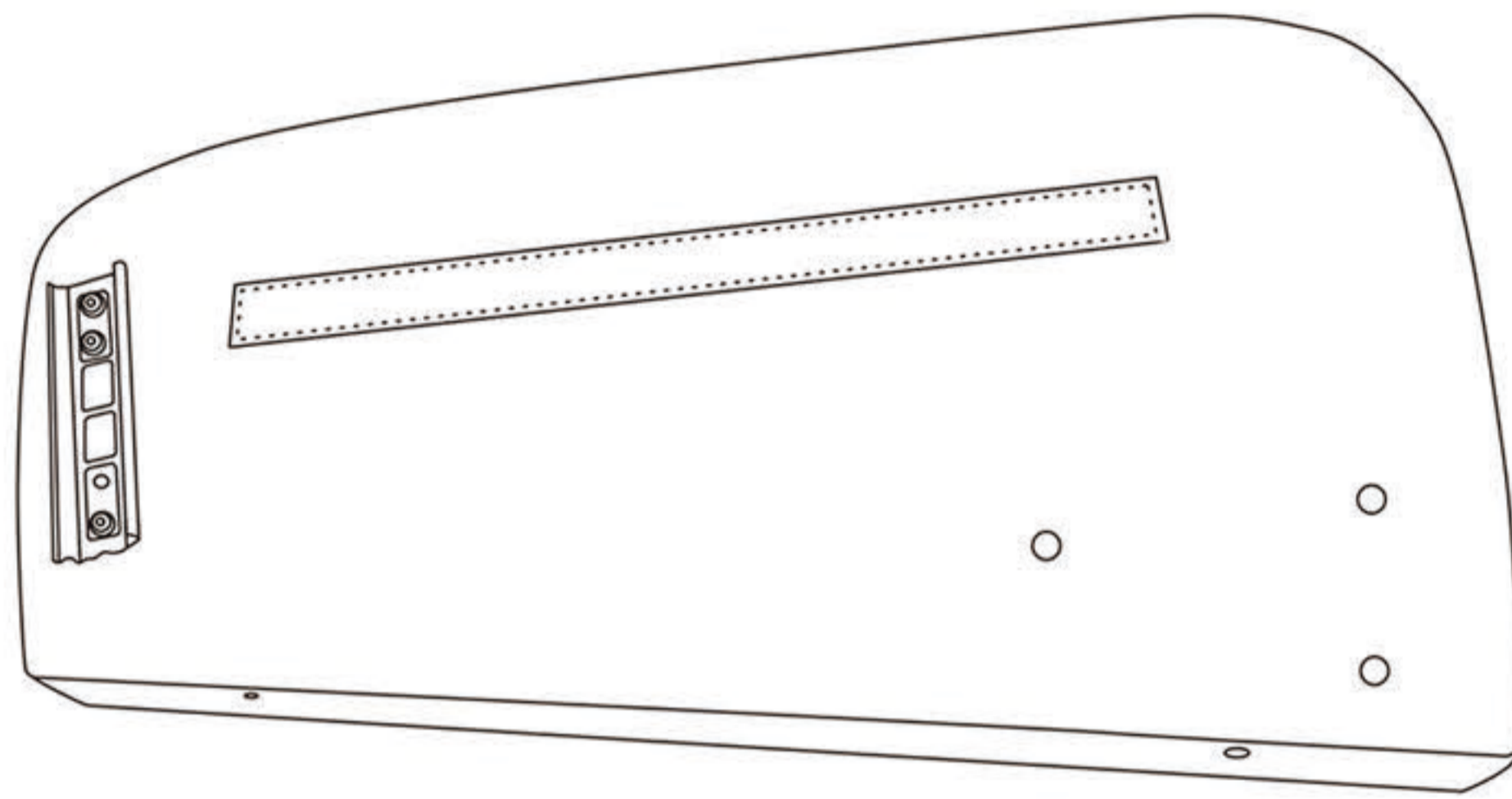


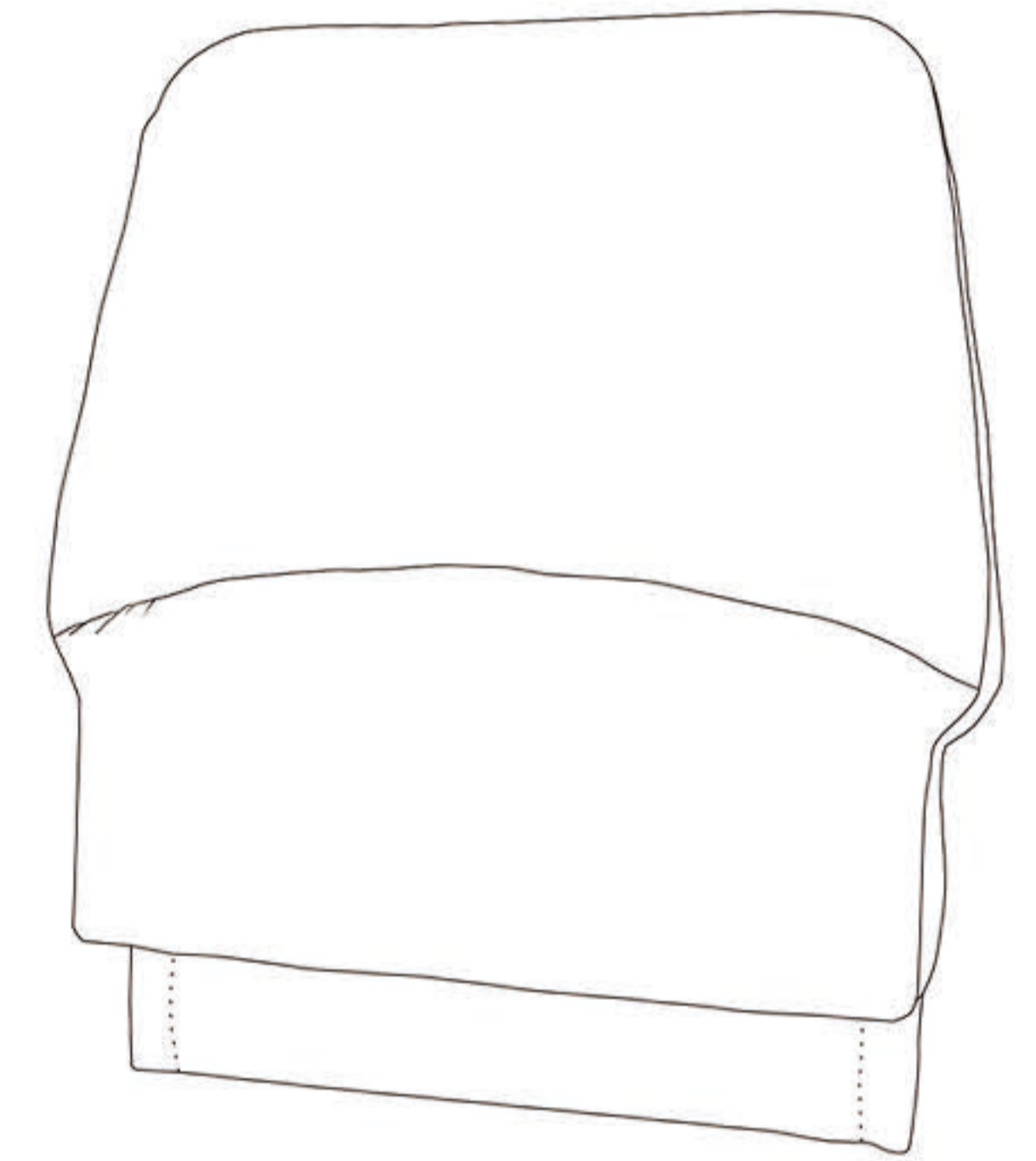
Assembly Instruction



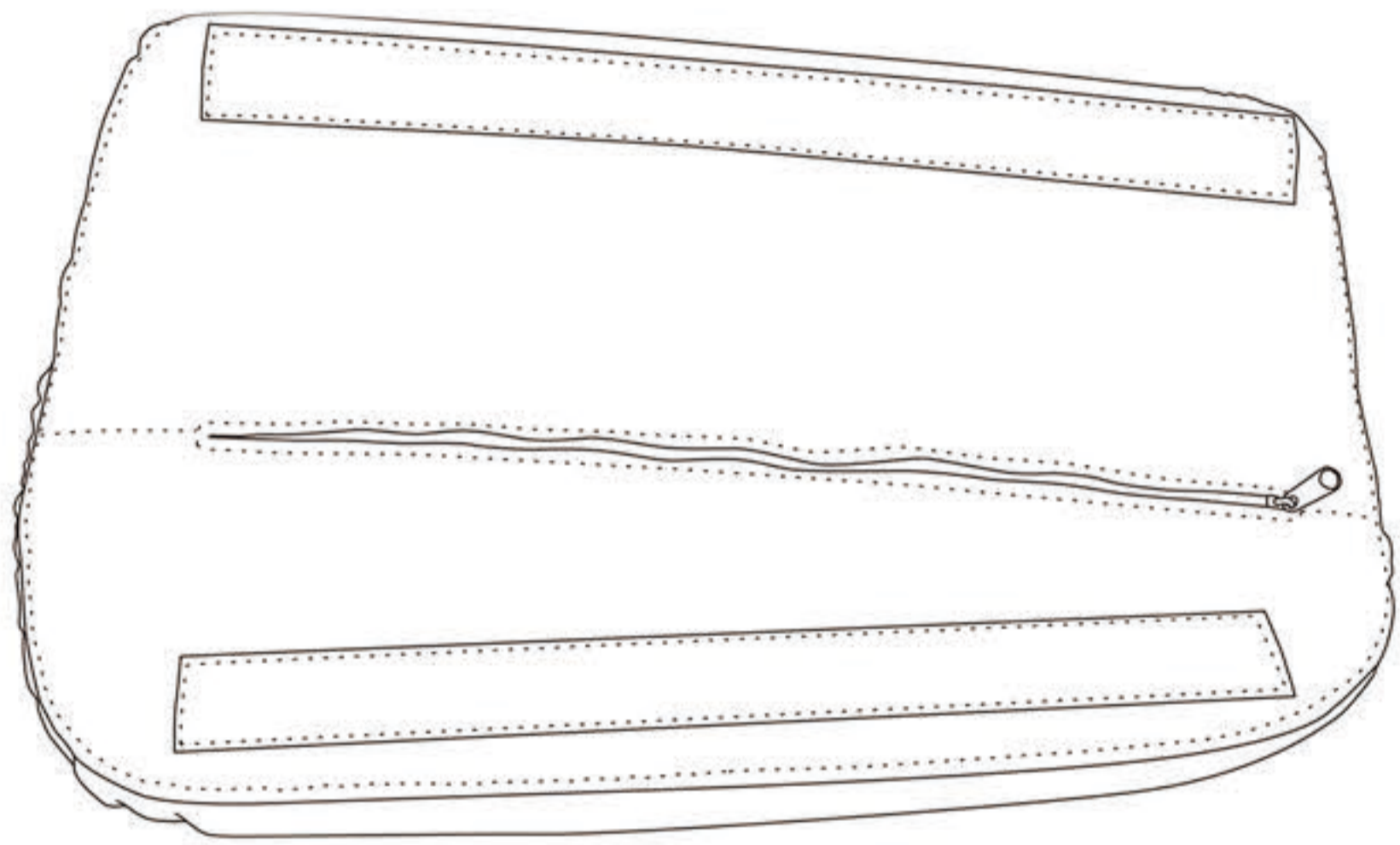
A:Left Armx1



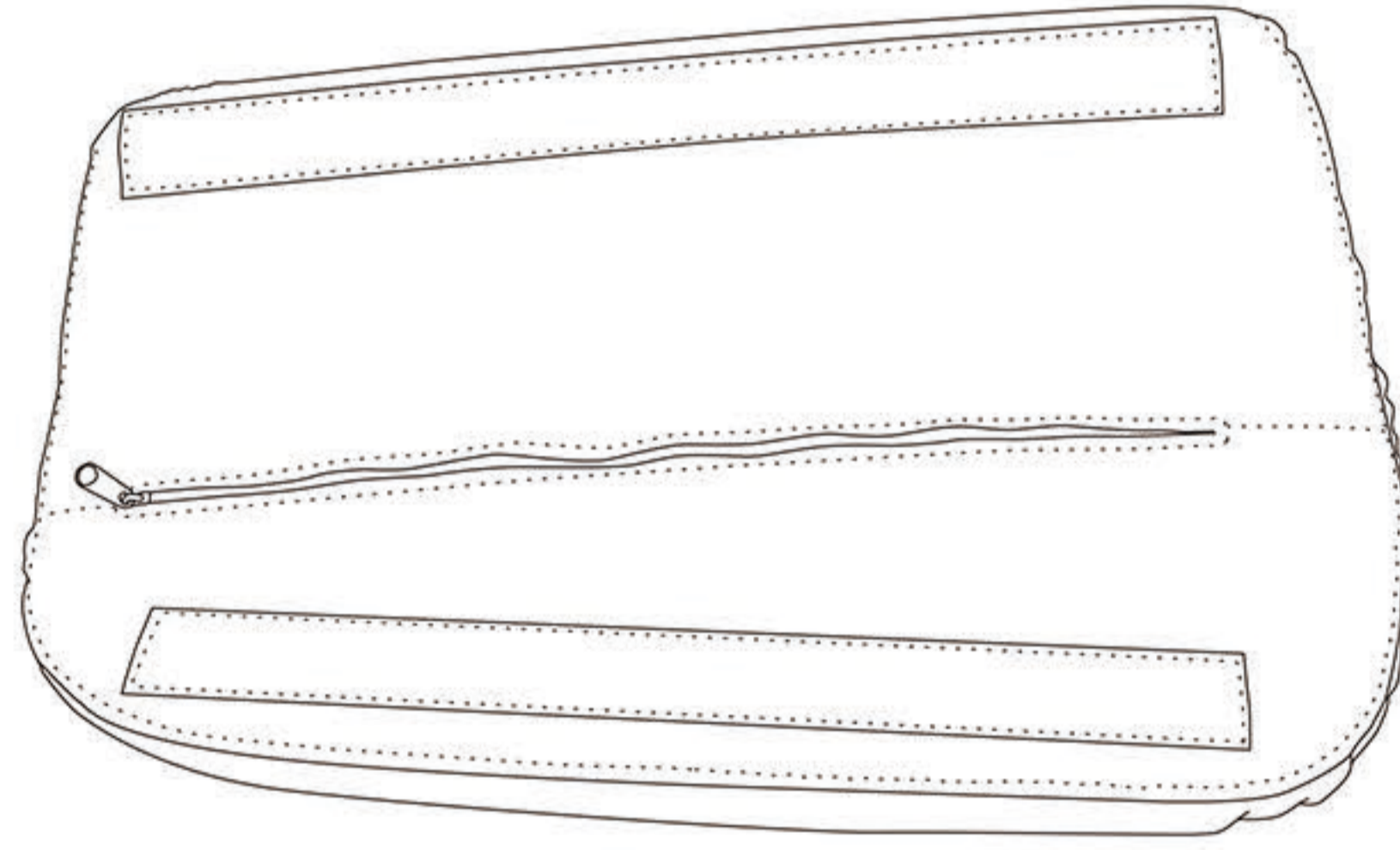
B:Right Armx1



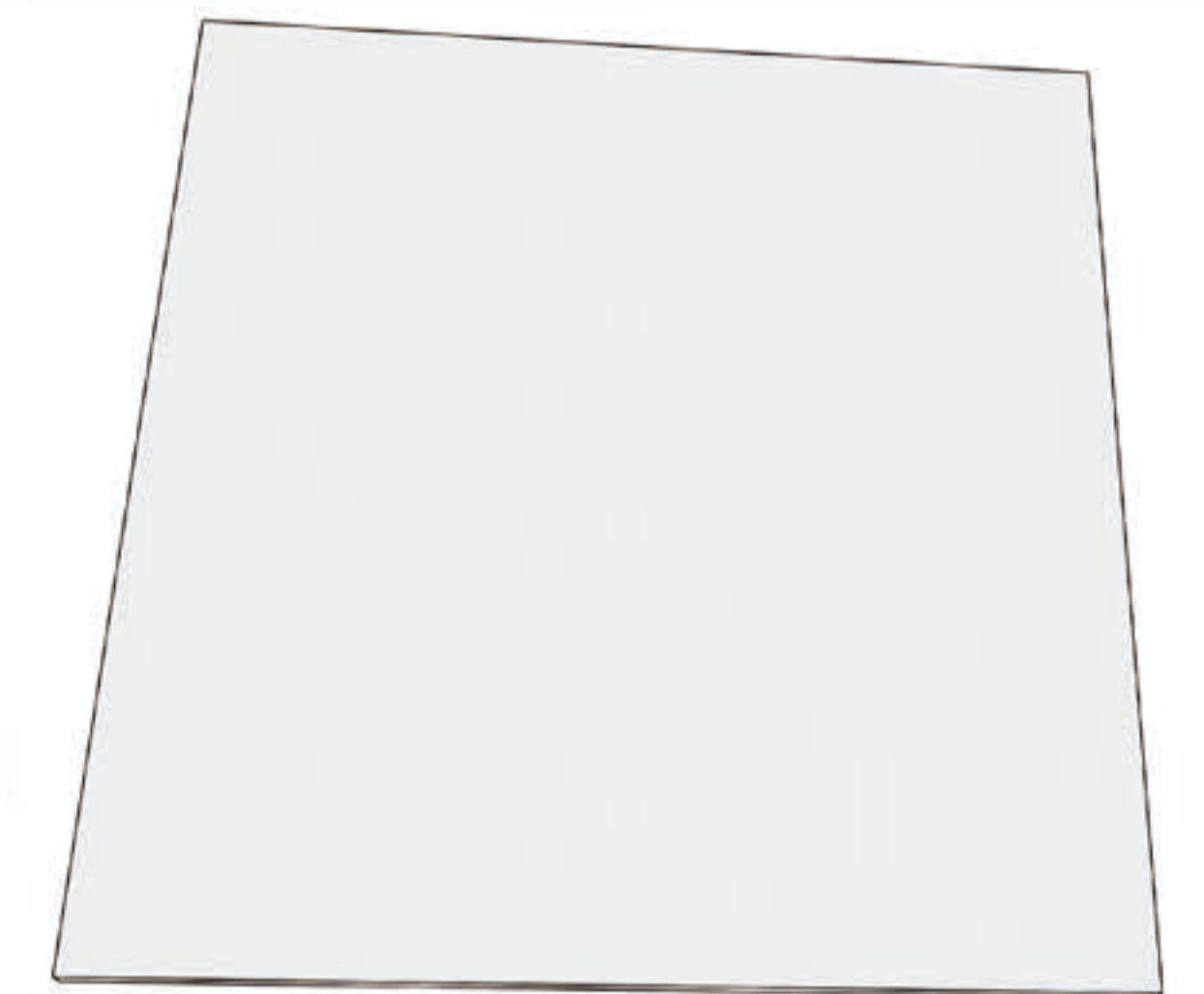
C:Backrestx1



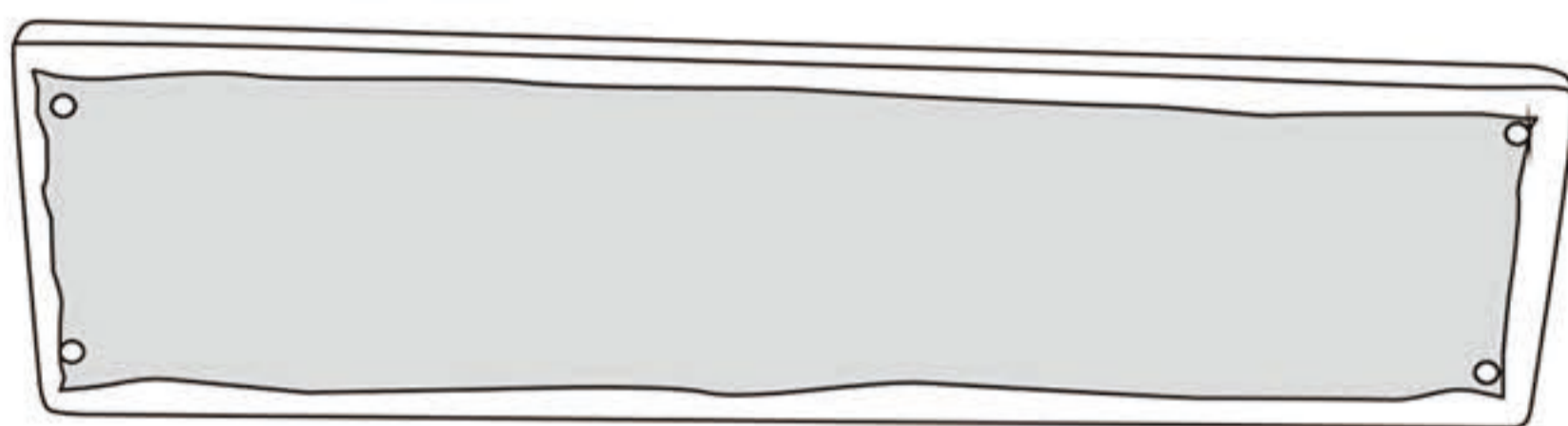
D:Left armrest padx1



E:Right armrest padx1



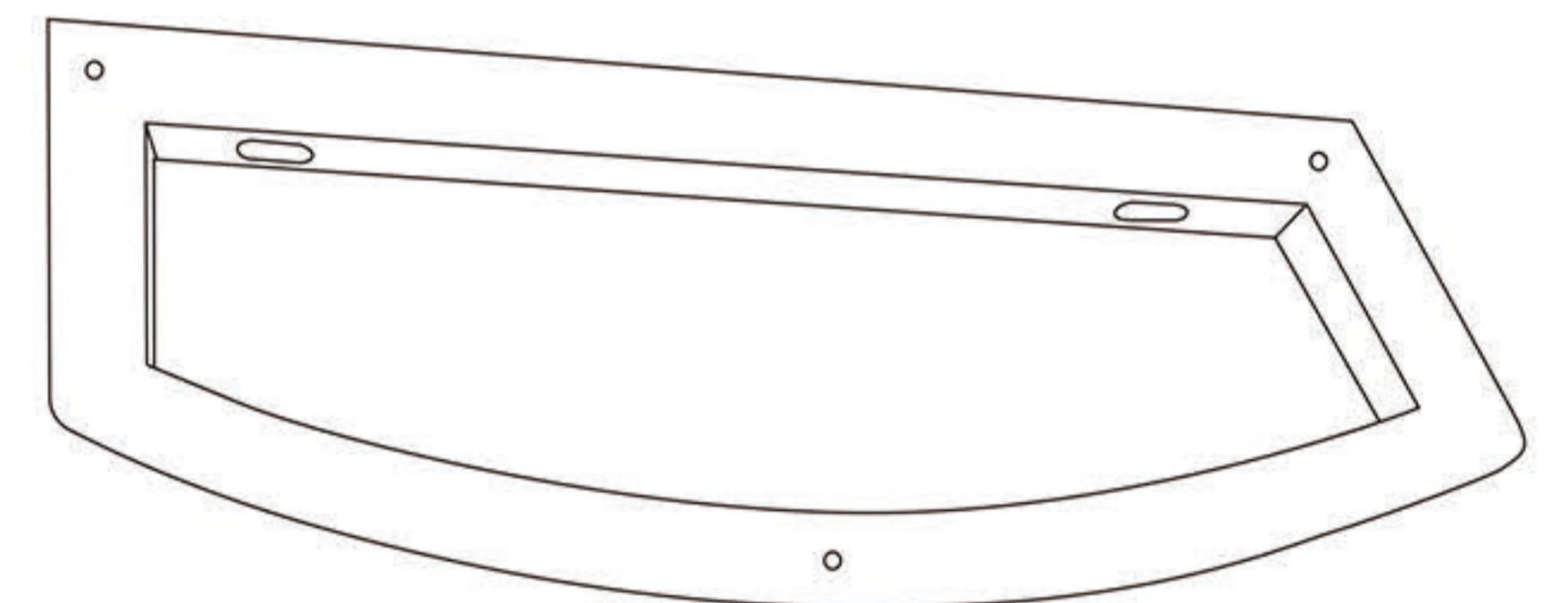
F:Bottom boardx1



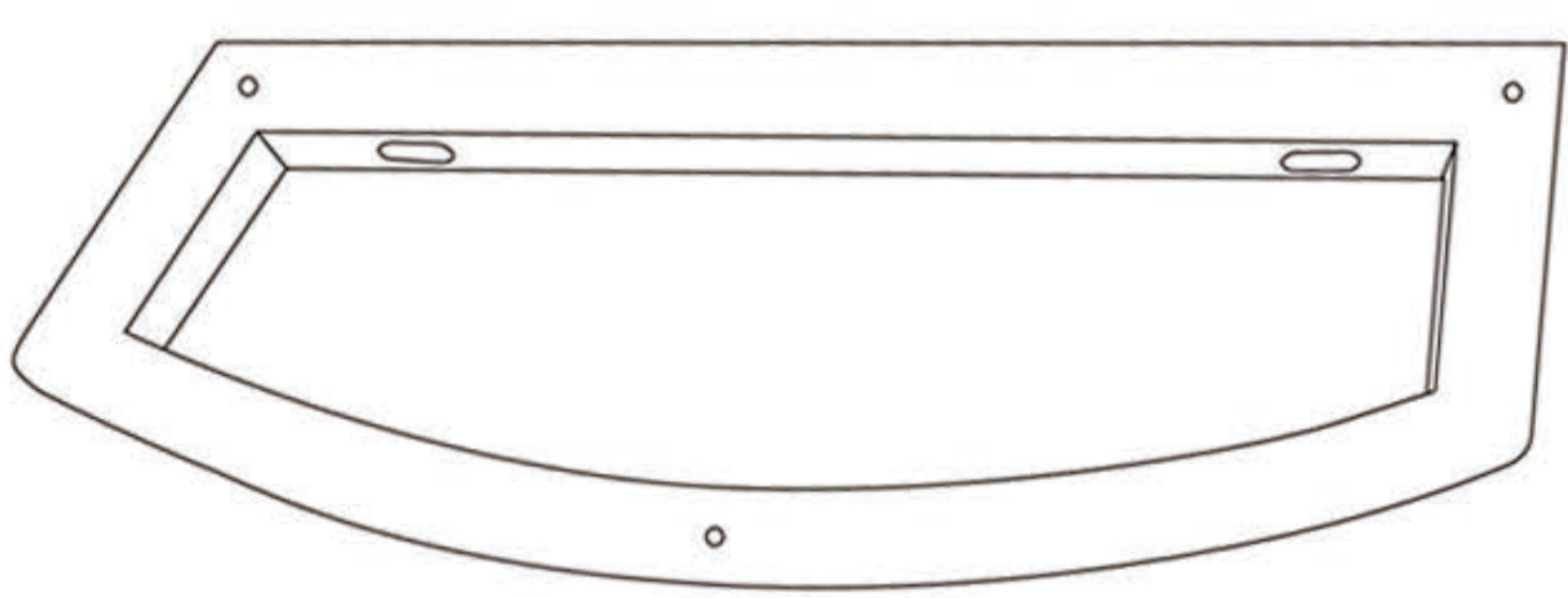
G:Front boardx1



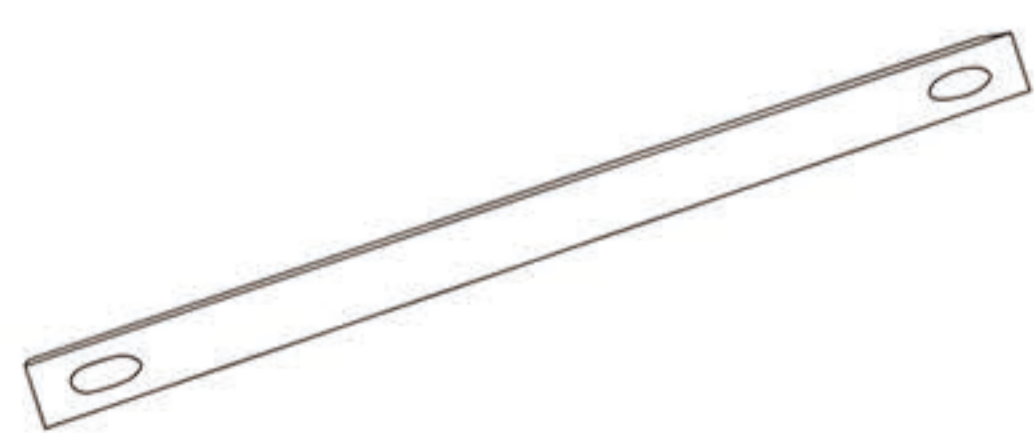
H: Side barsx2



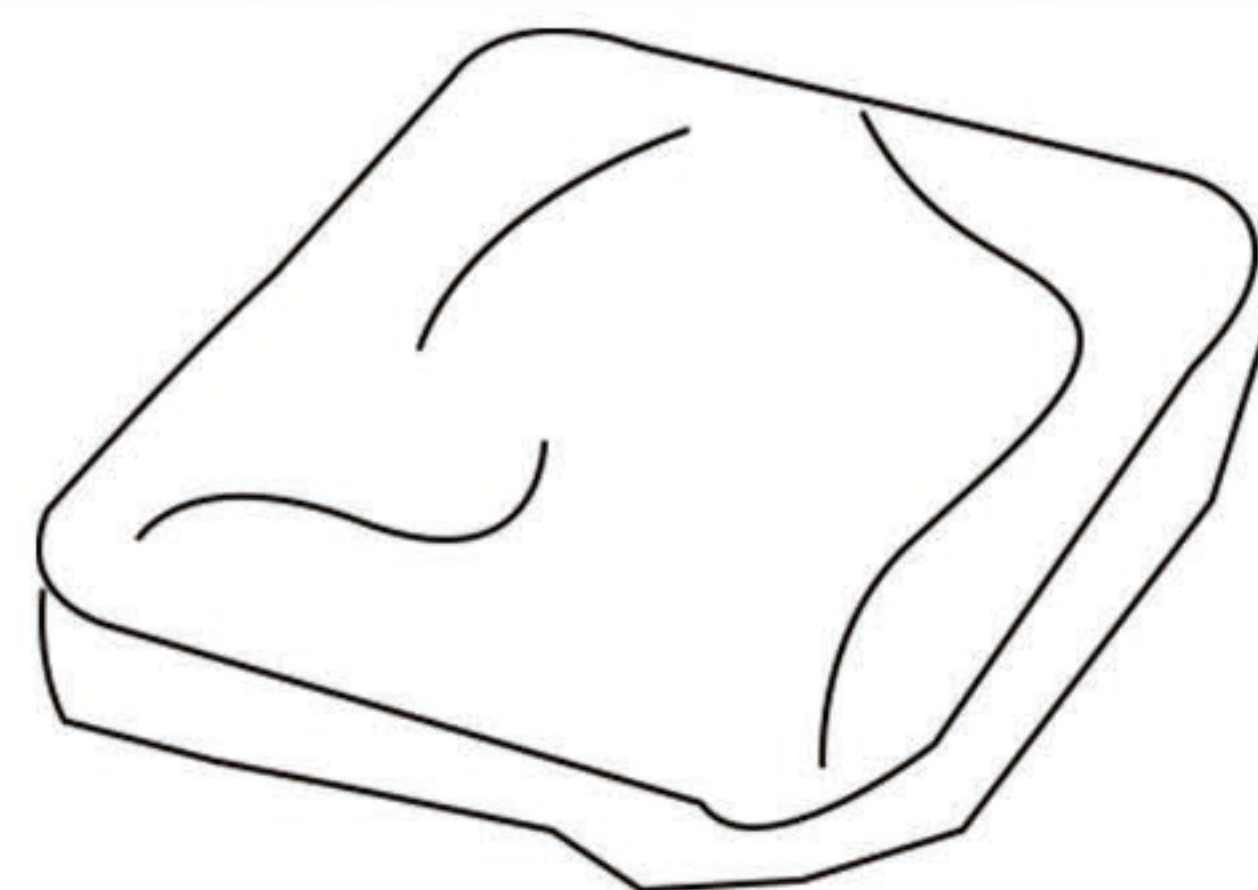
I:Left legx1



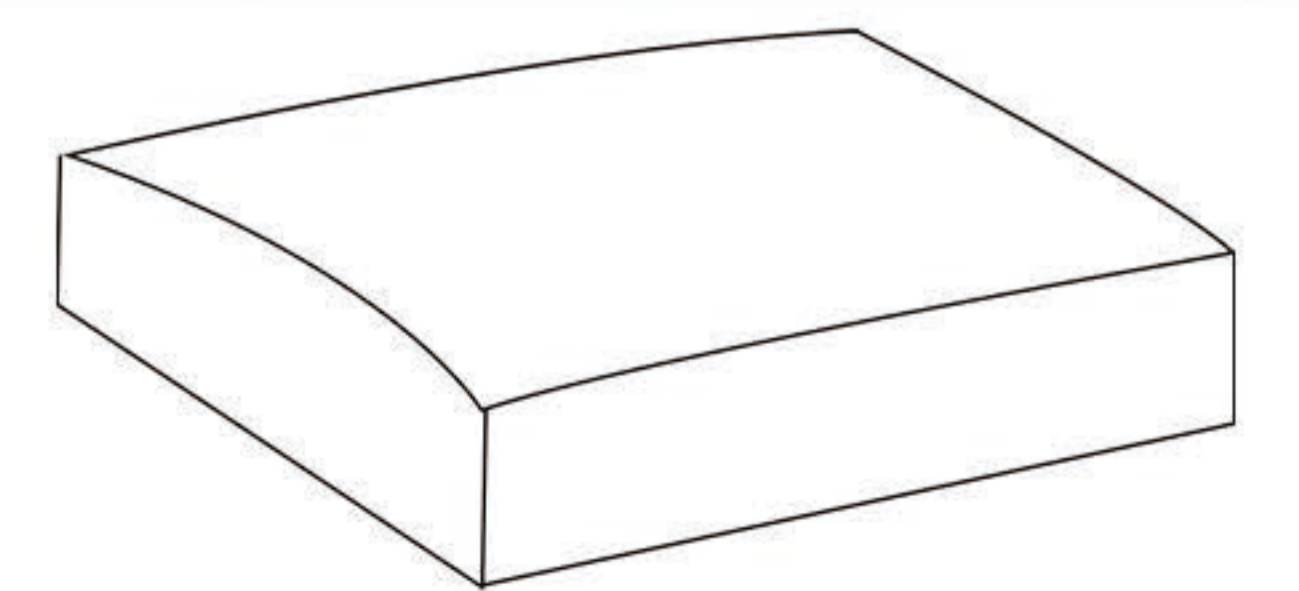
J: Right legx1



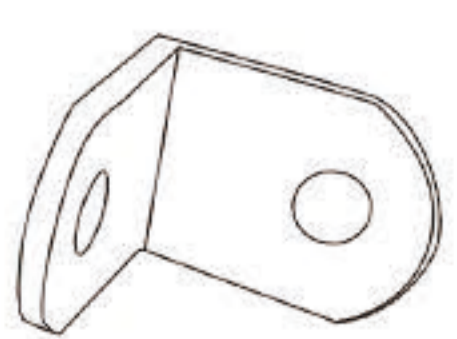
K:Center barsx3



L:seat coverx1



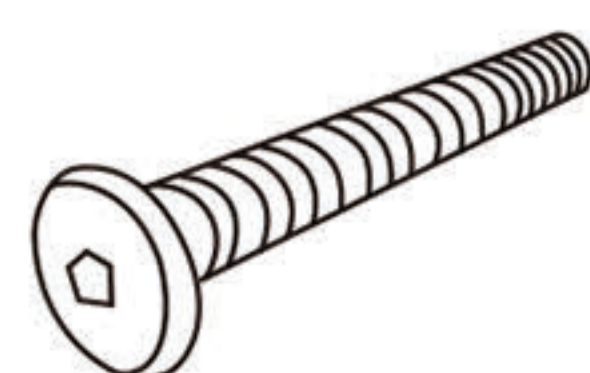
M:Compression seat cushionx1



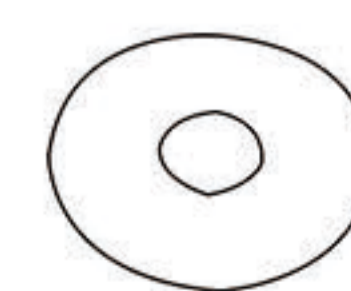
**N:Angle bracket
x4**



**O:M6*20mm
x8**



**P:M6*45mm
x14**

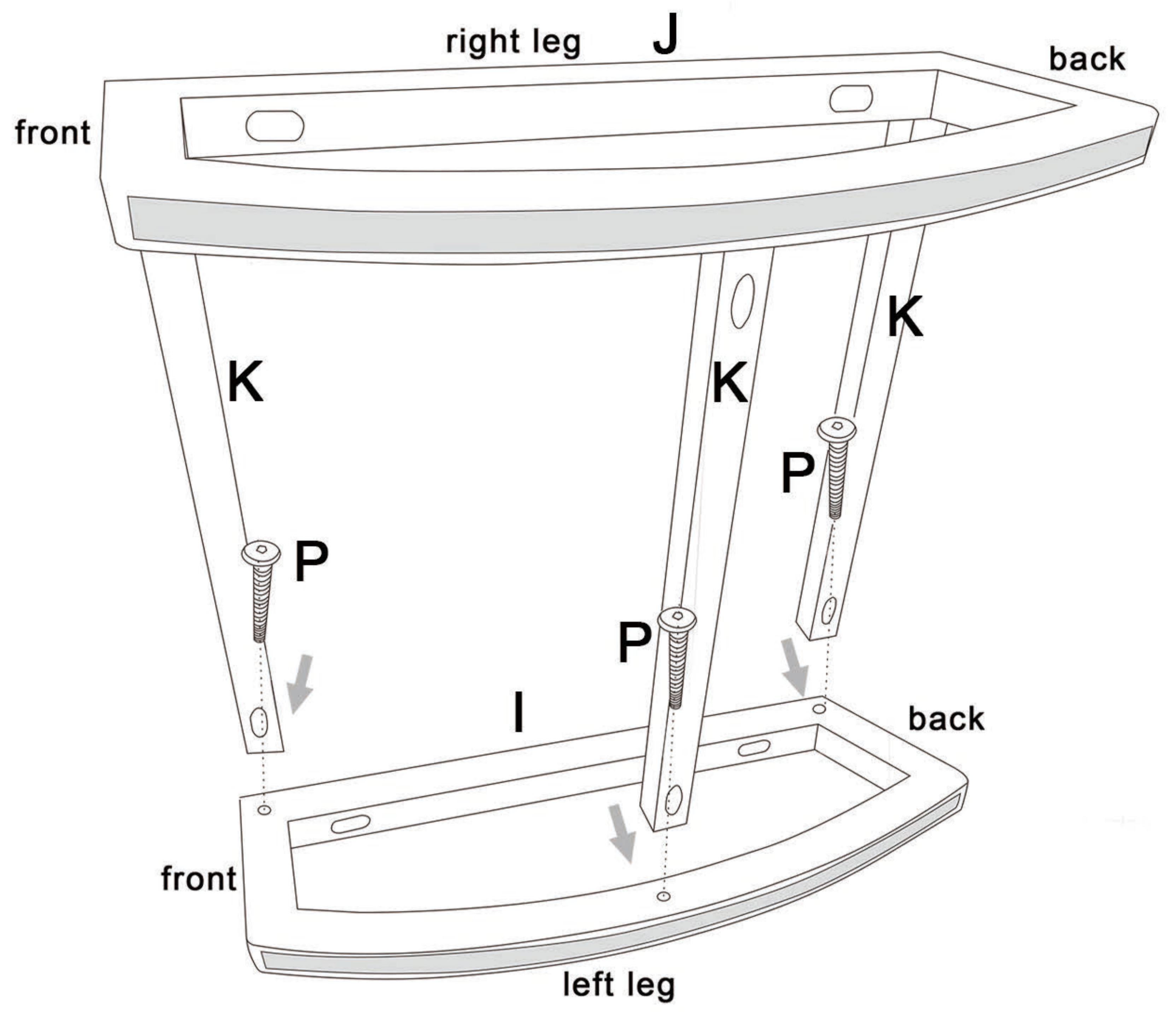
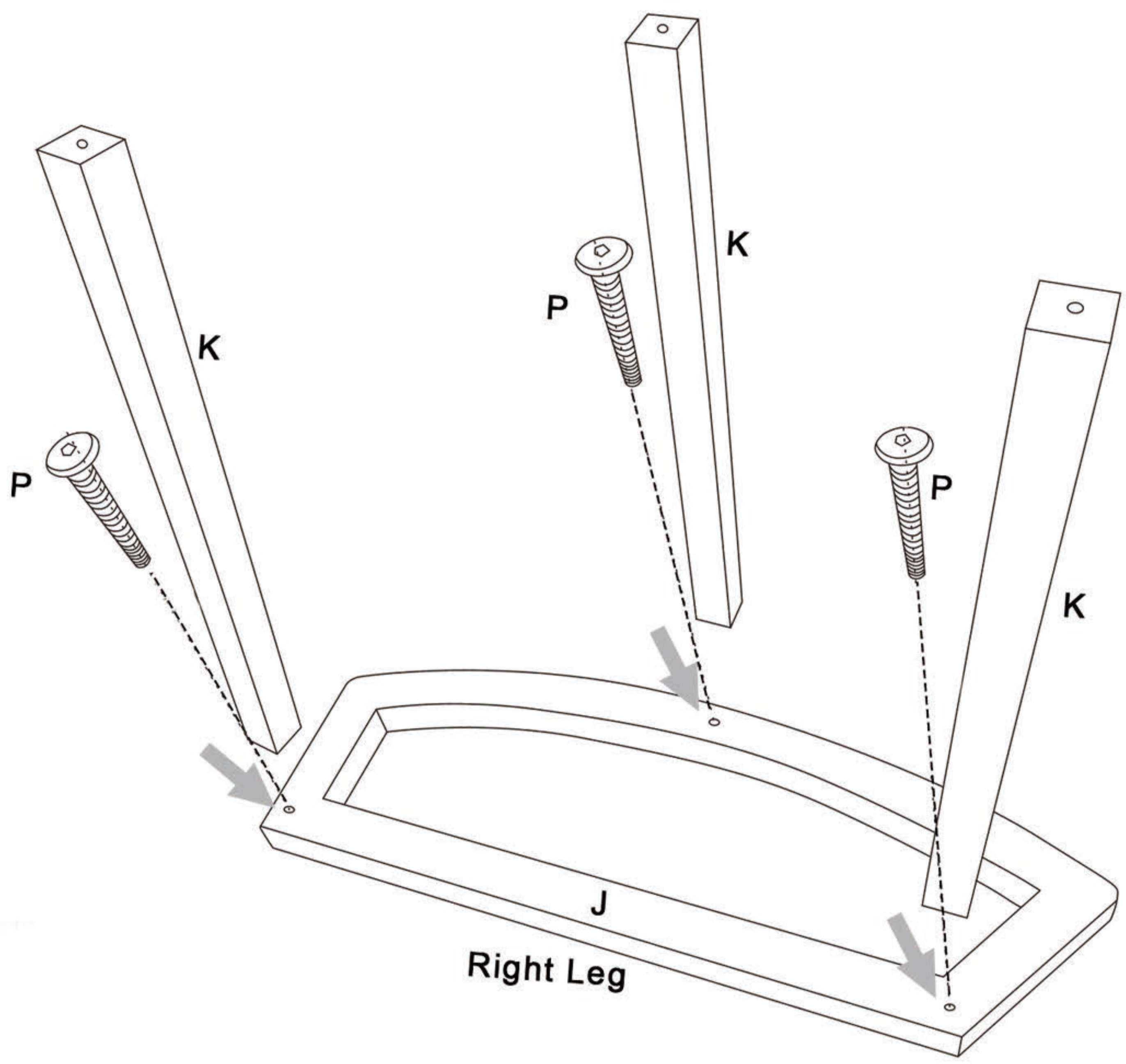


**Q:M6*Φ18mm
x16**

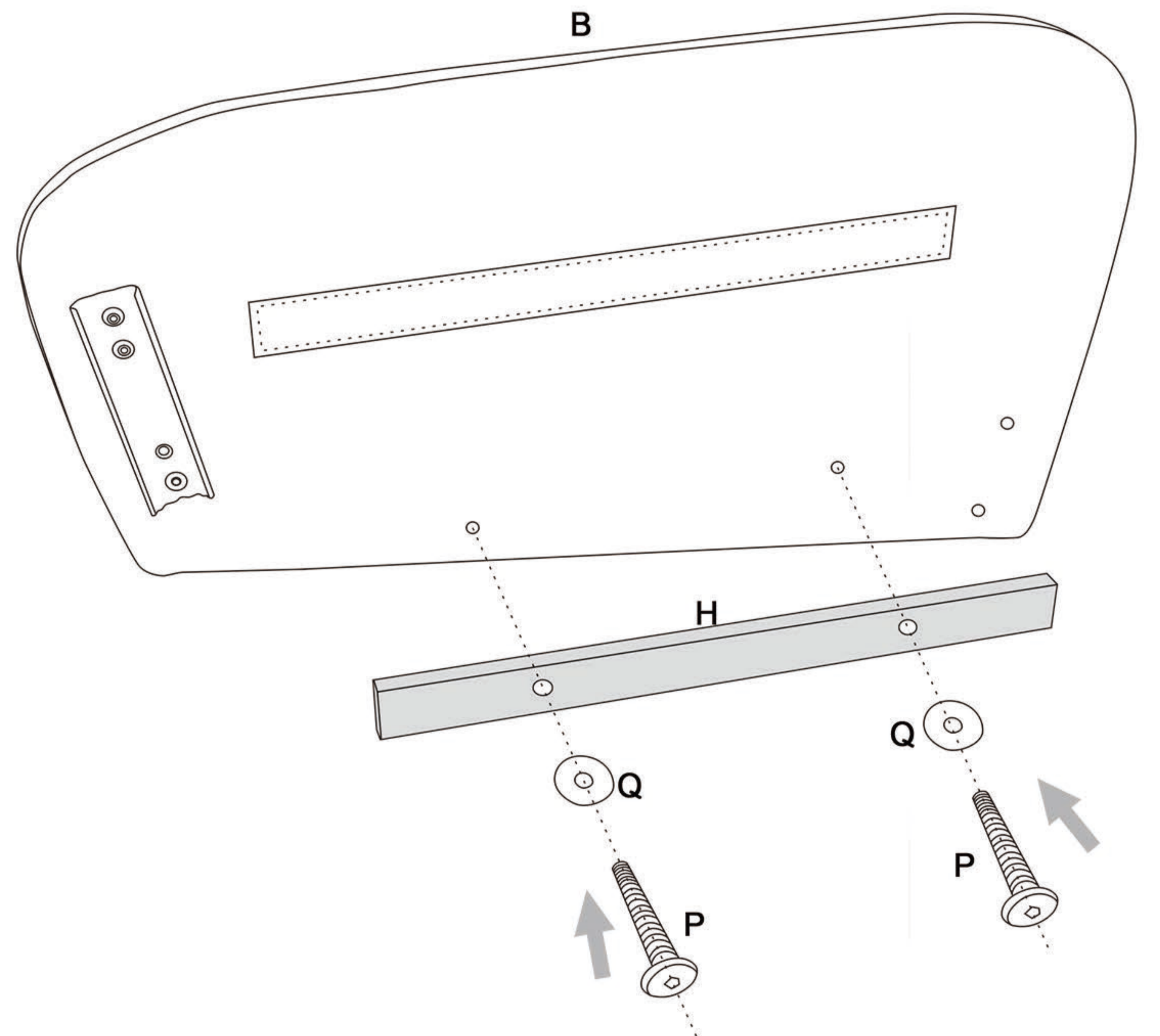
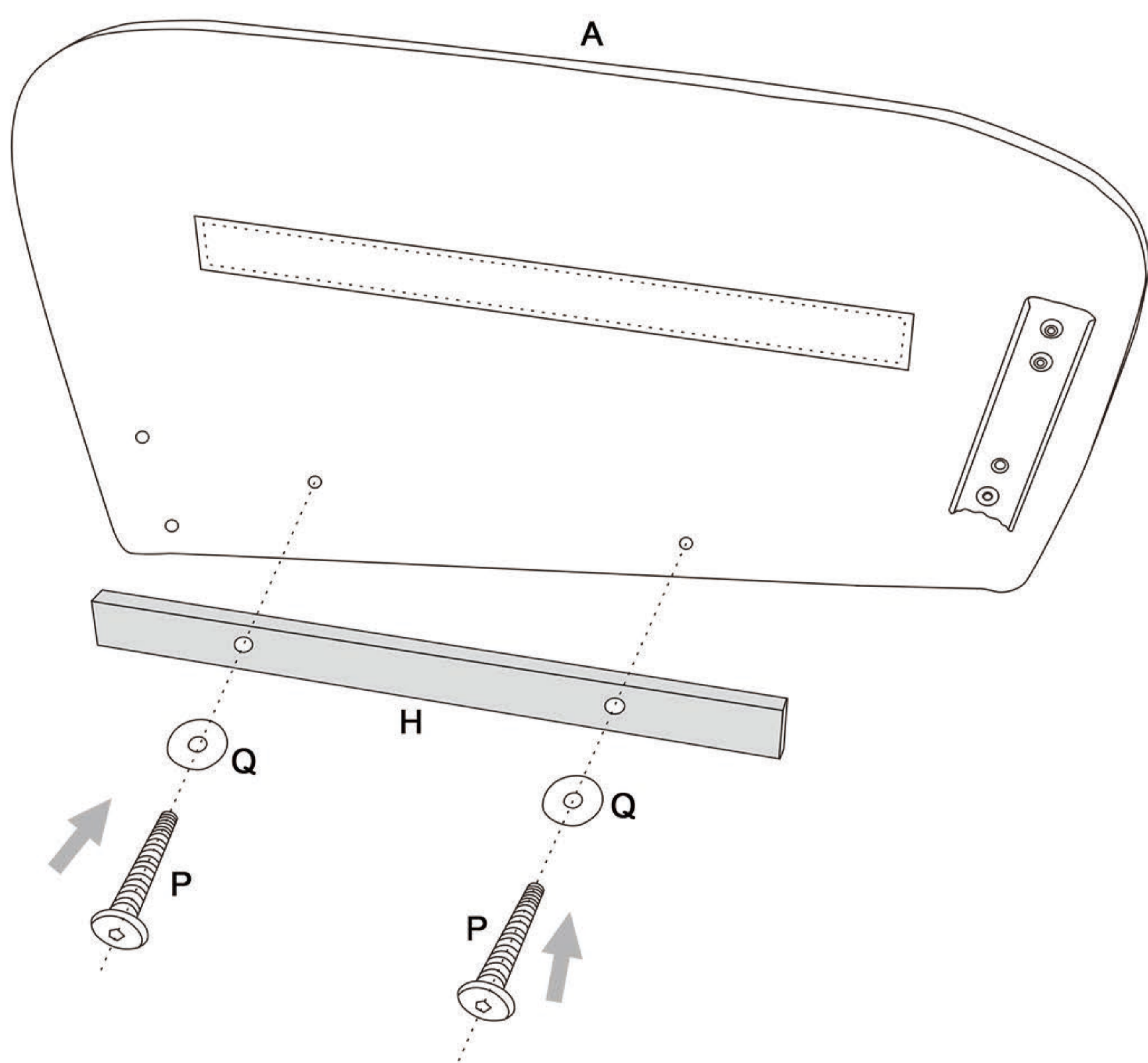


**R:Hex key
x1**

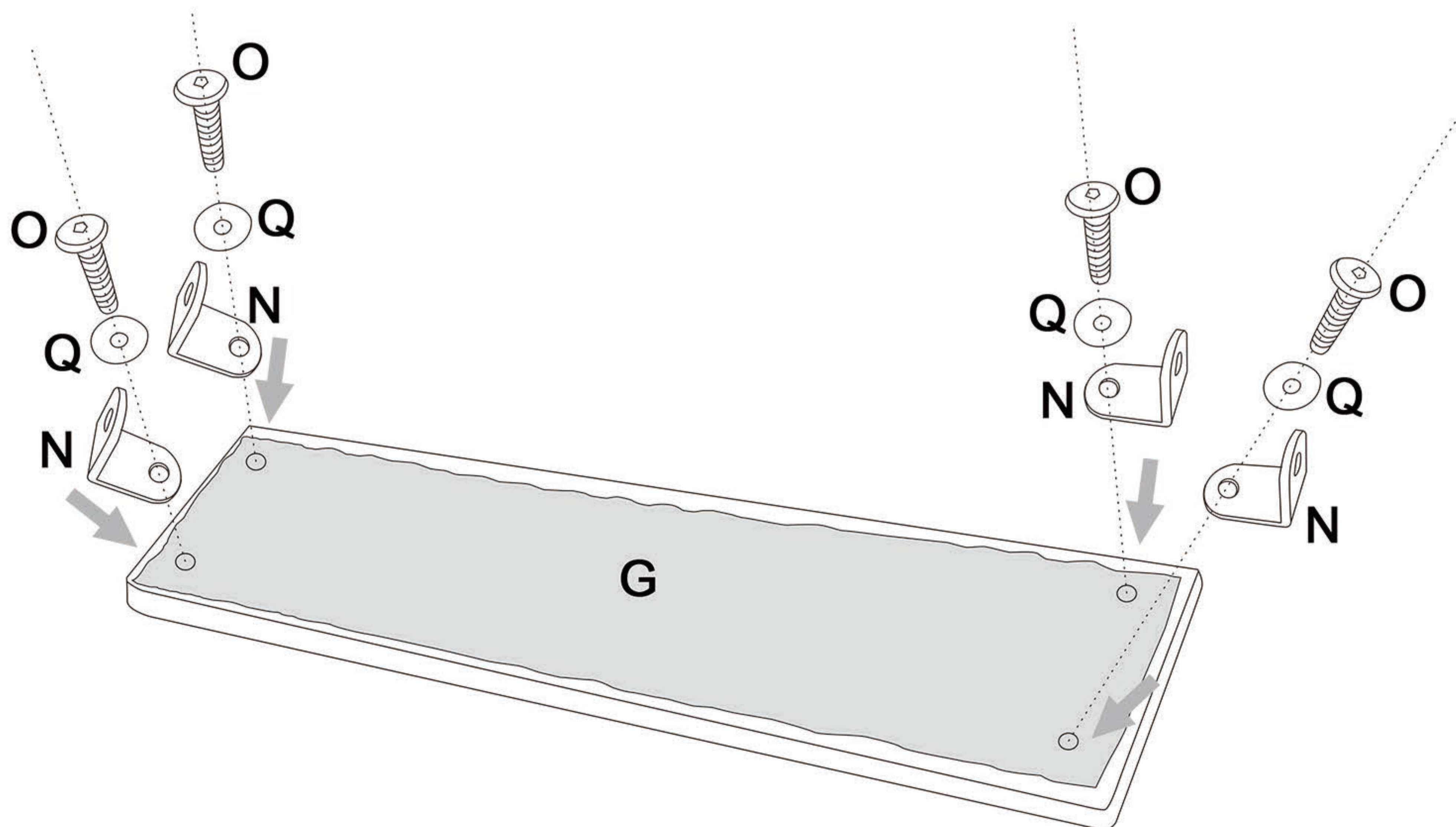
Step 1



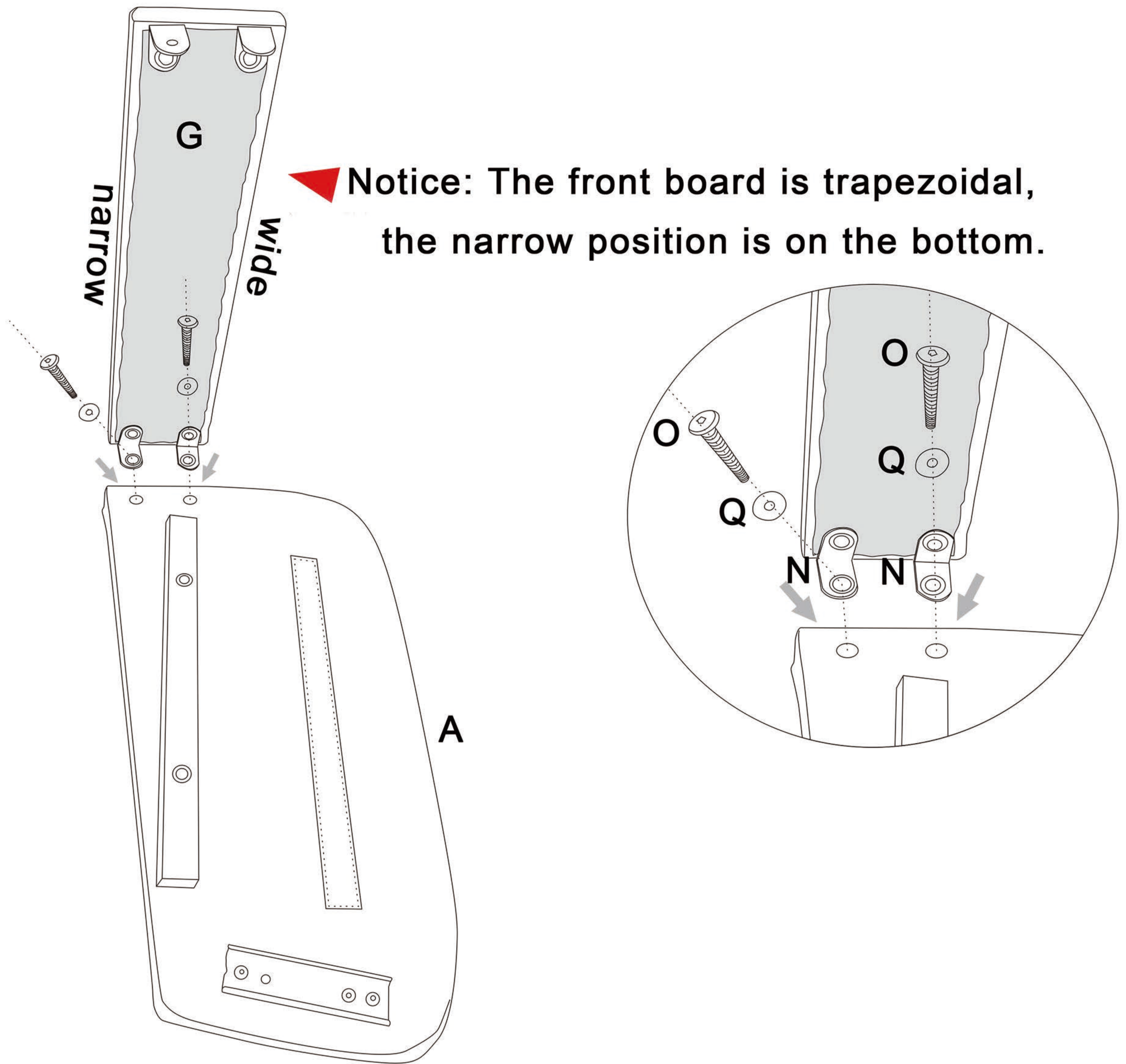
Step 2



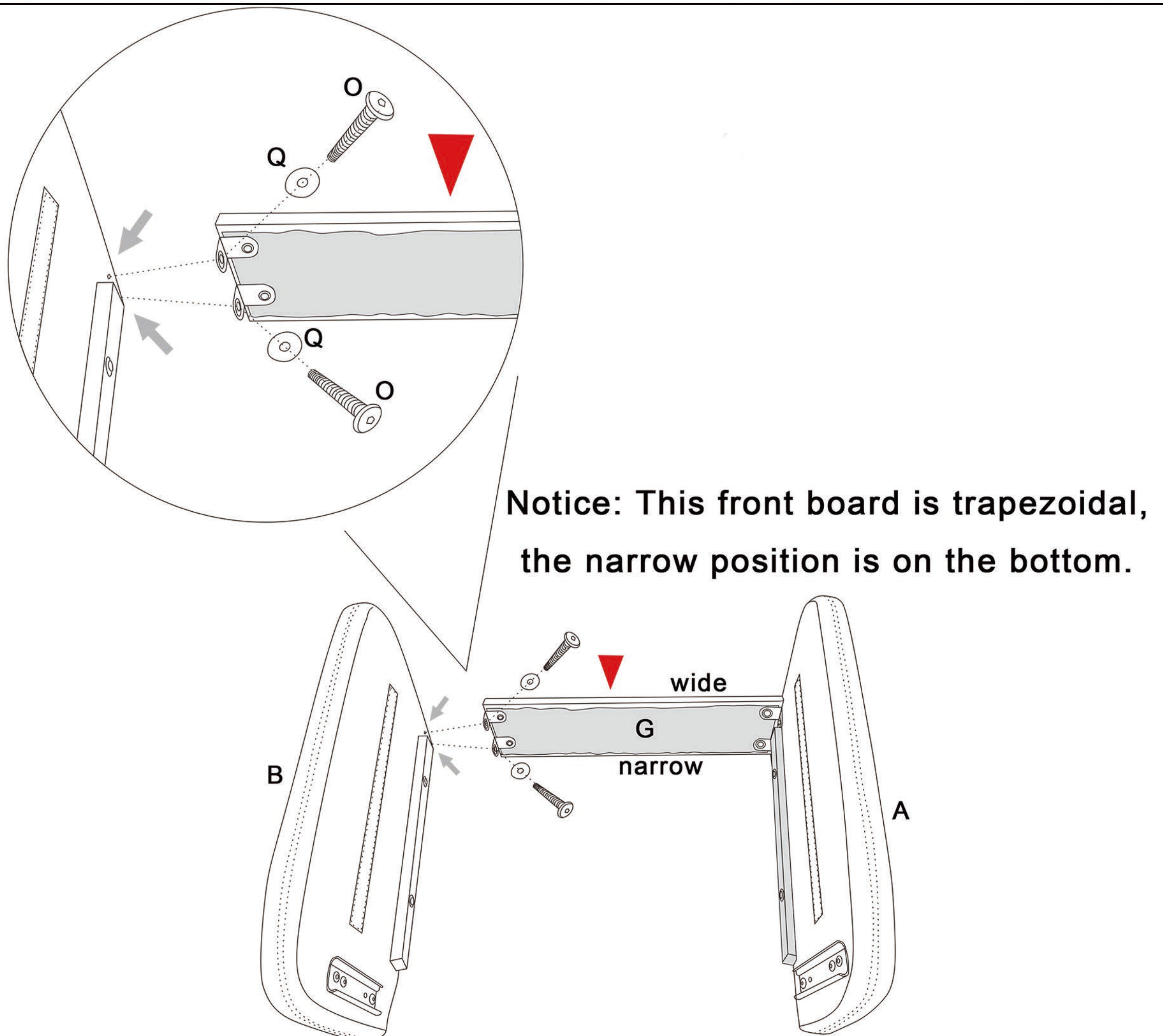
Step 3



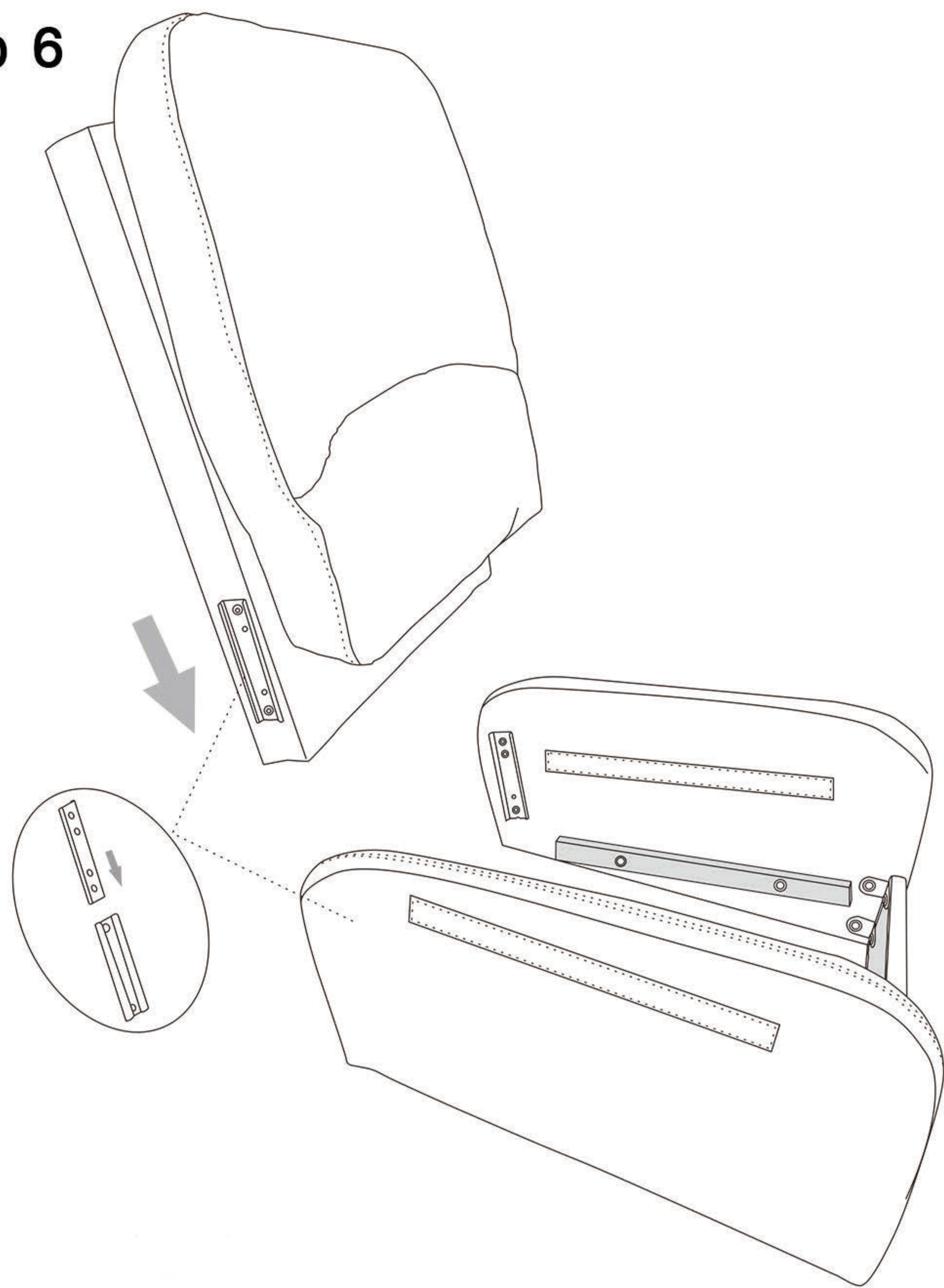
Step 4



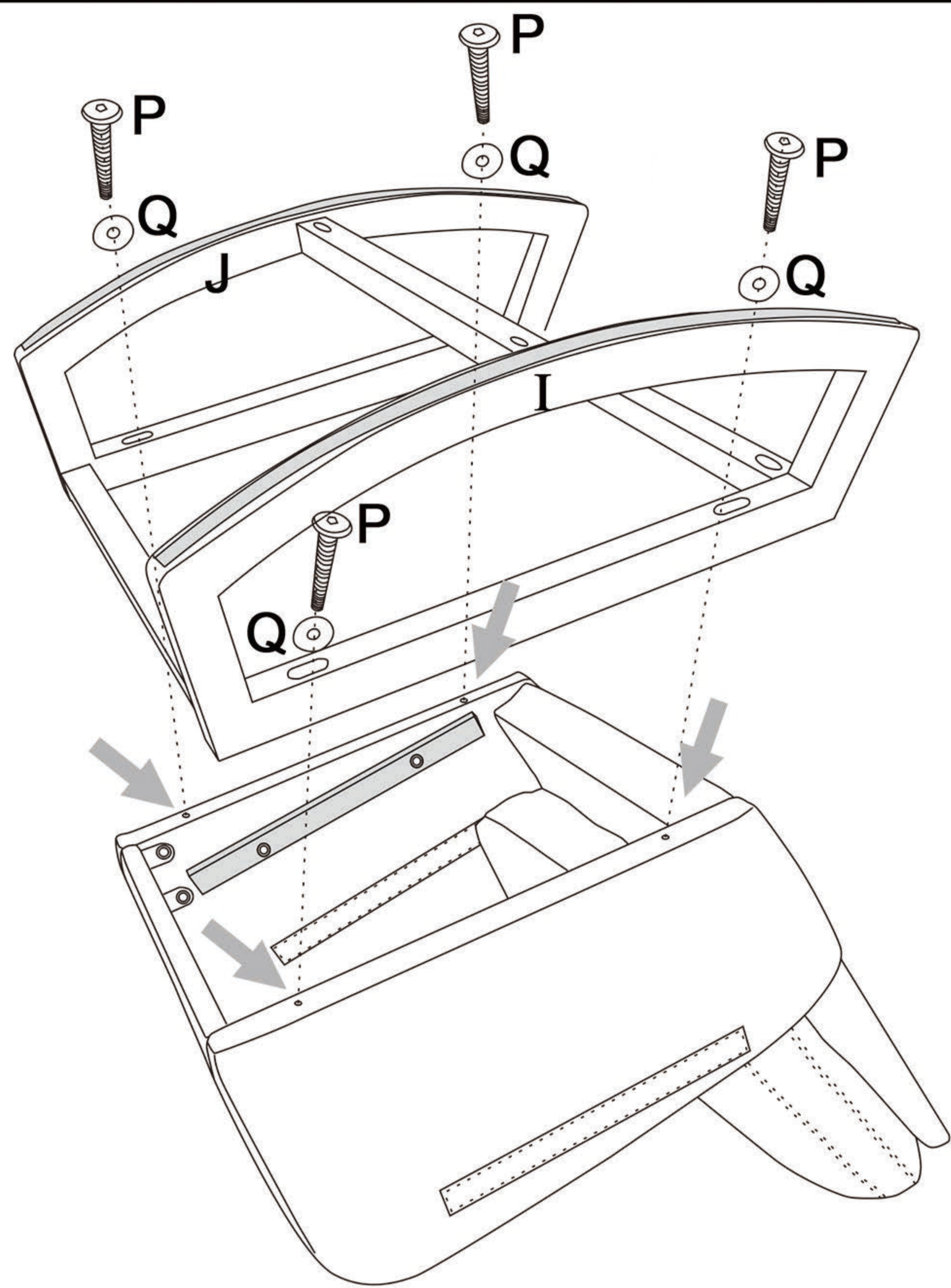
Step 5



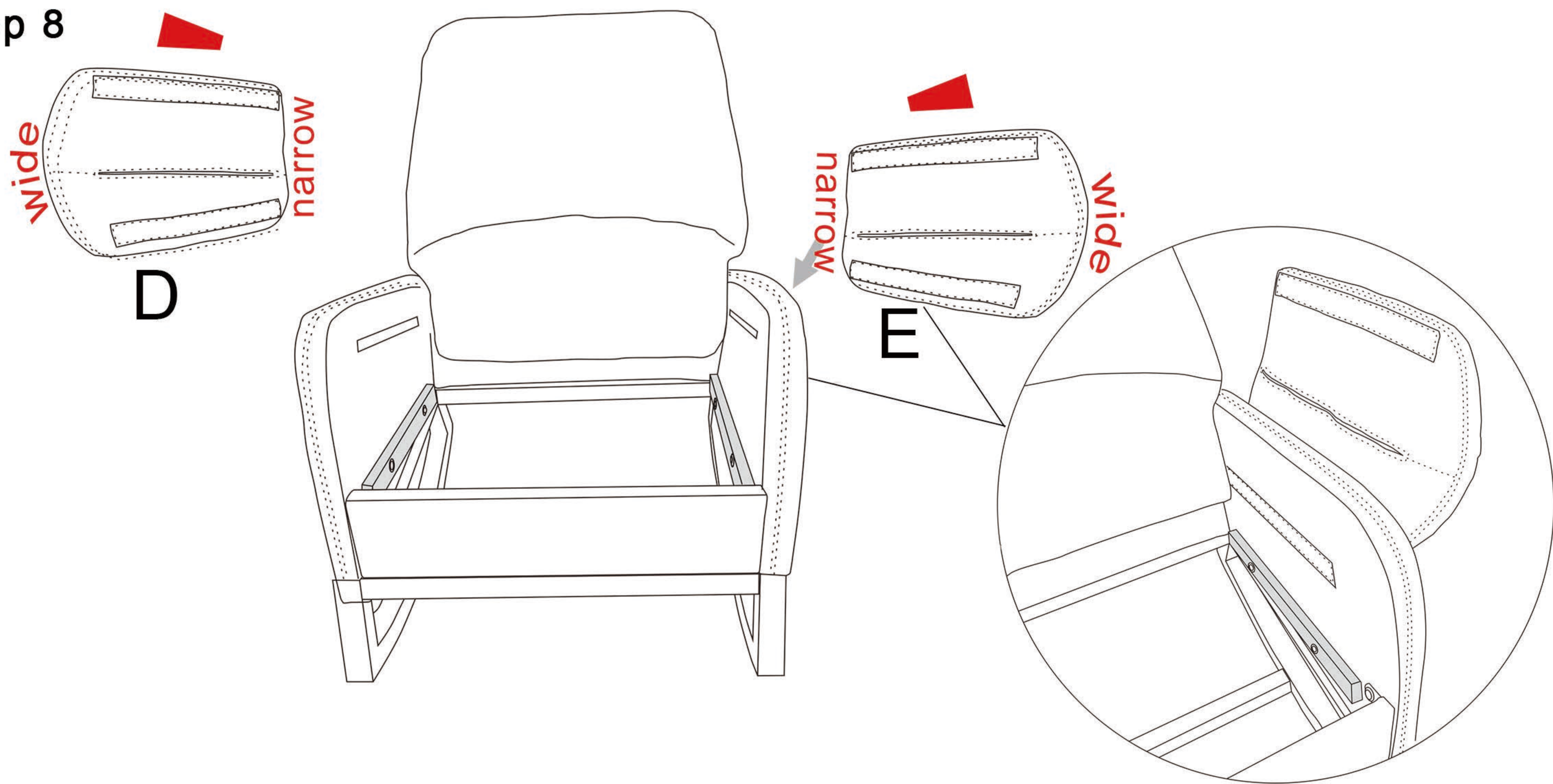
Step 6



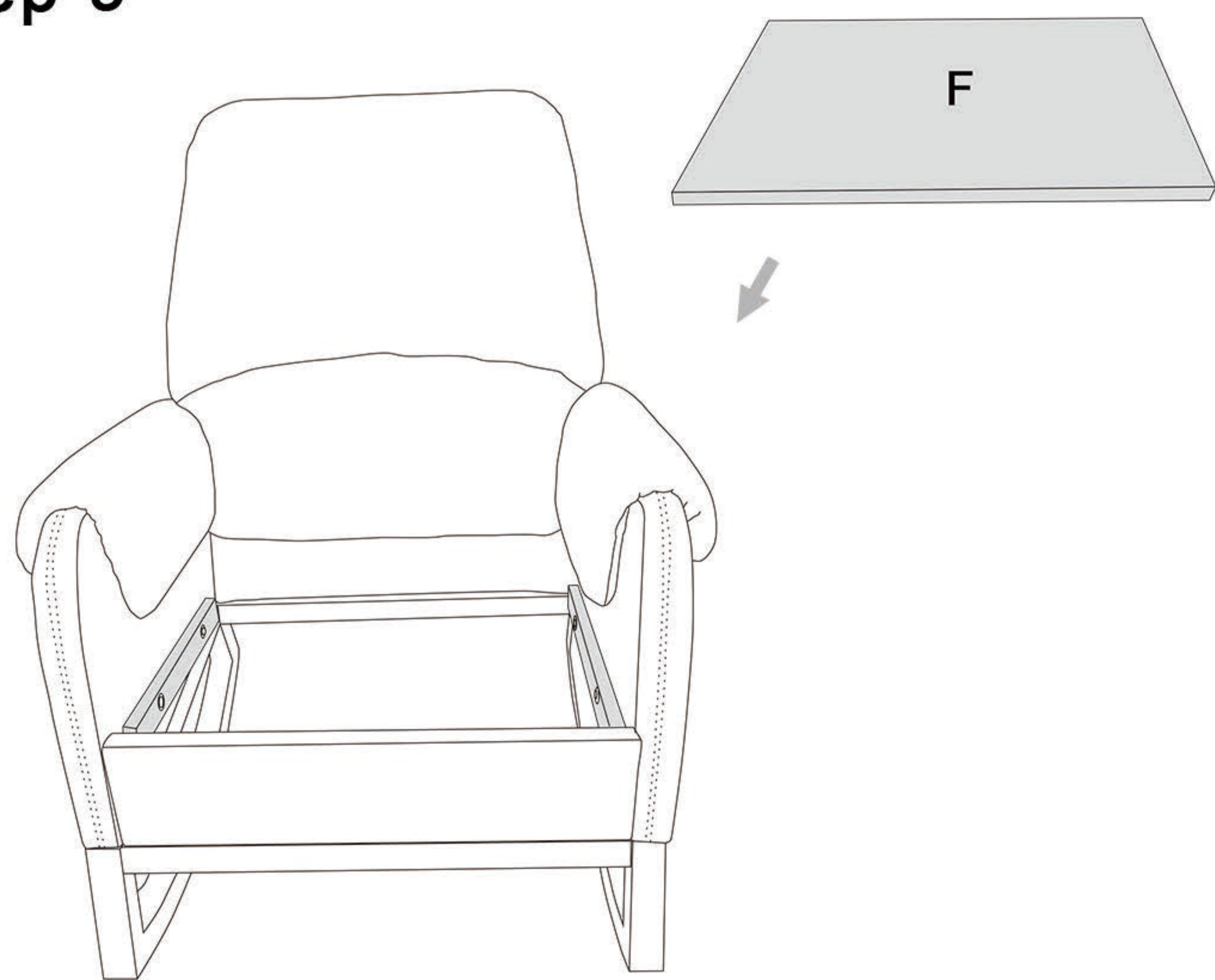
Step 7



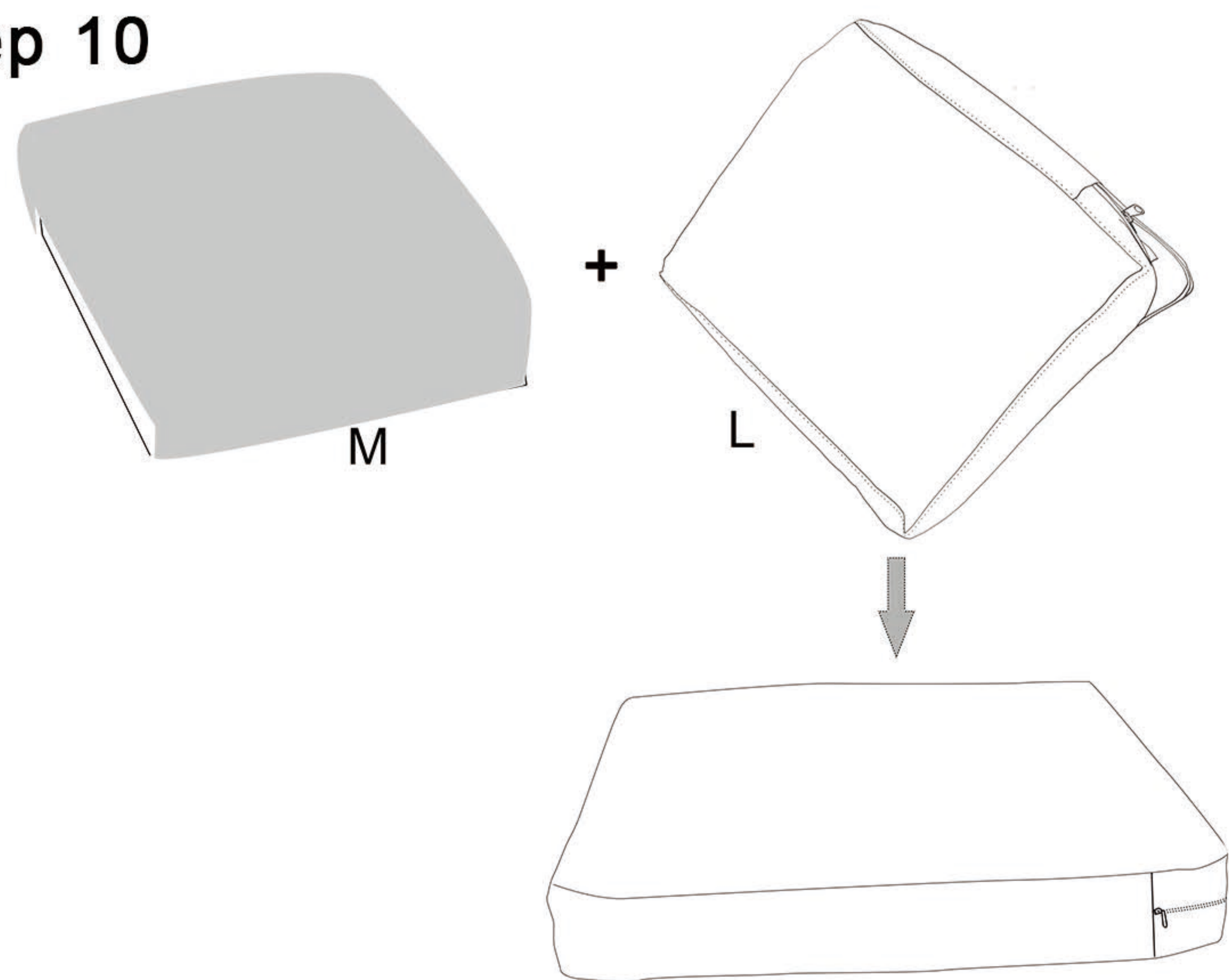
Step 8



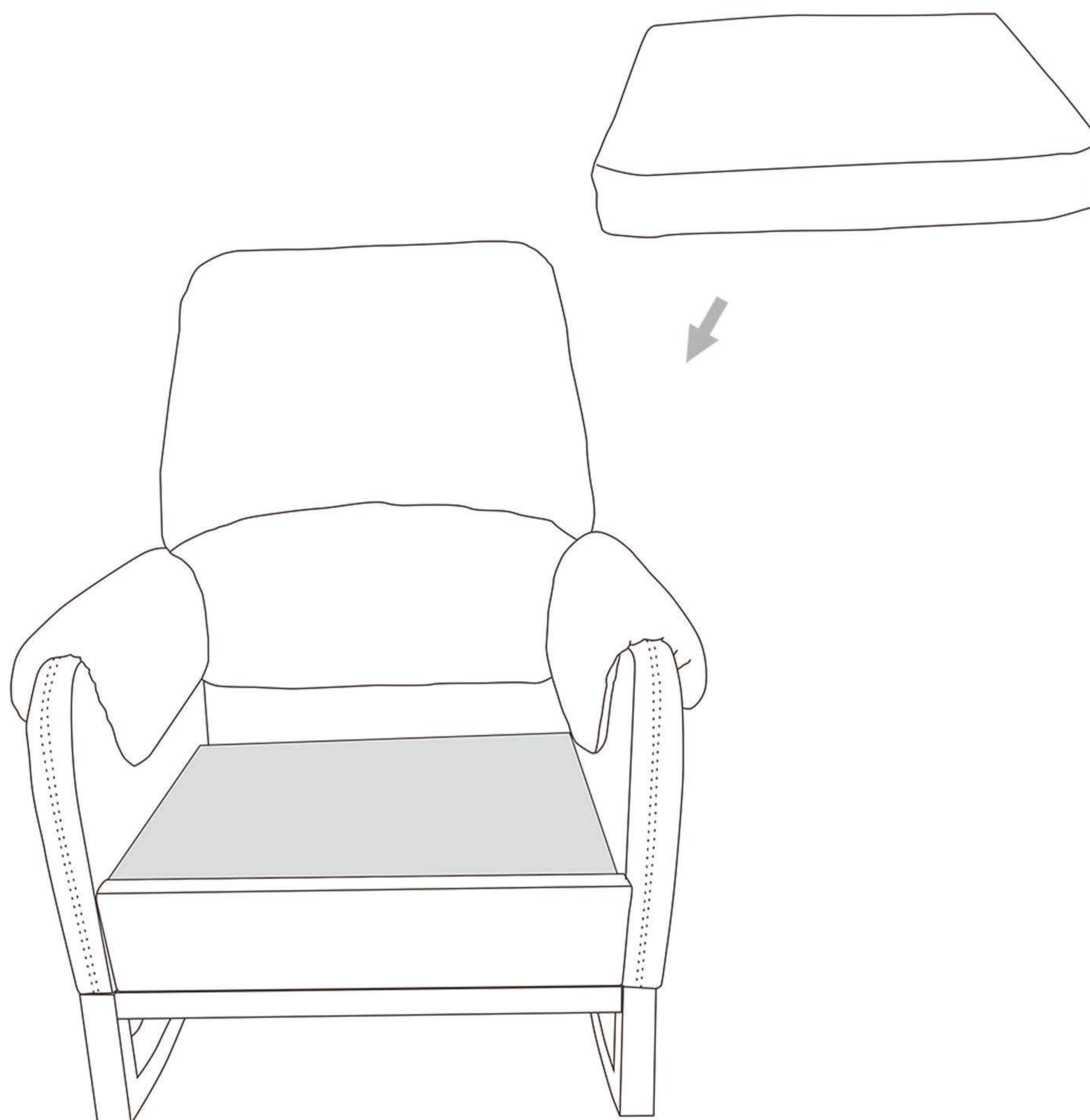
Step 9



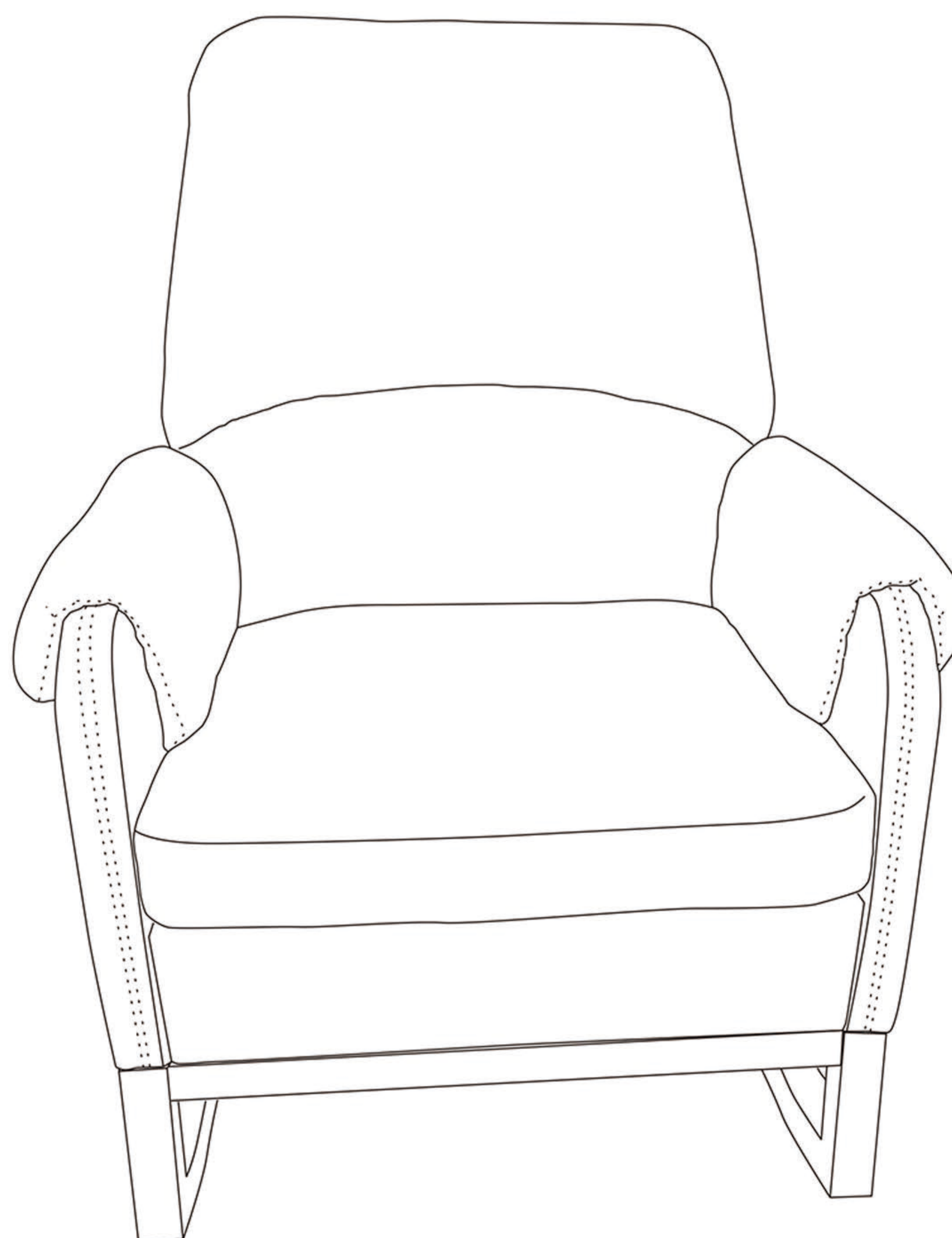
Step 10



Step 11



Finish



How to install the seat cushions

Step 1. Open the plastic bag and remove the seat cushion foam.

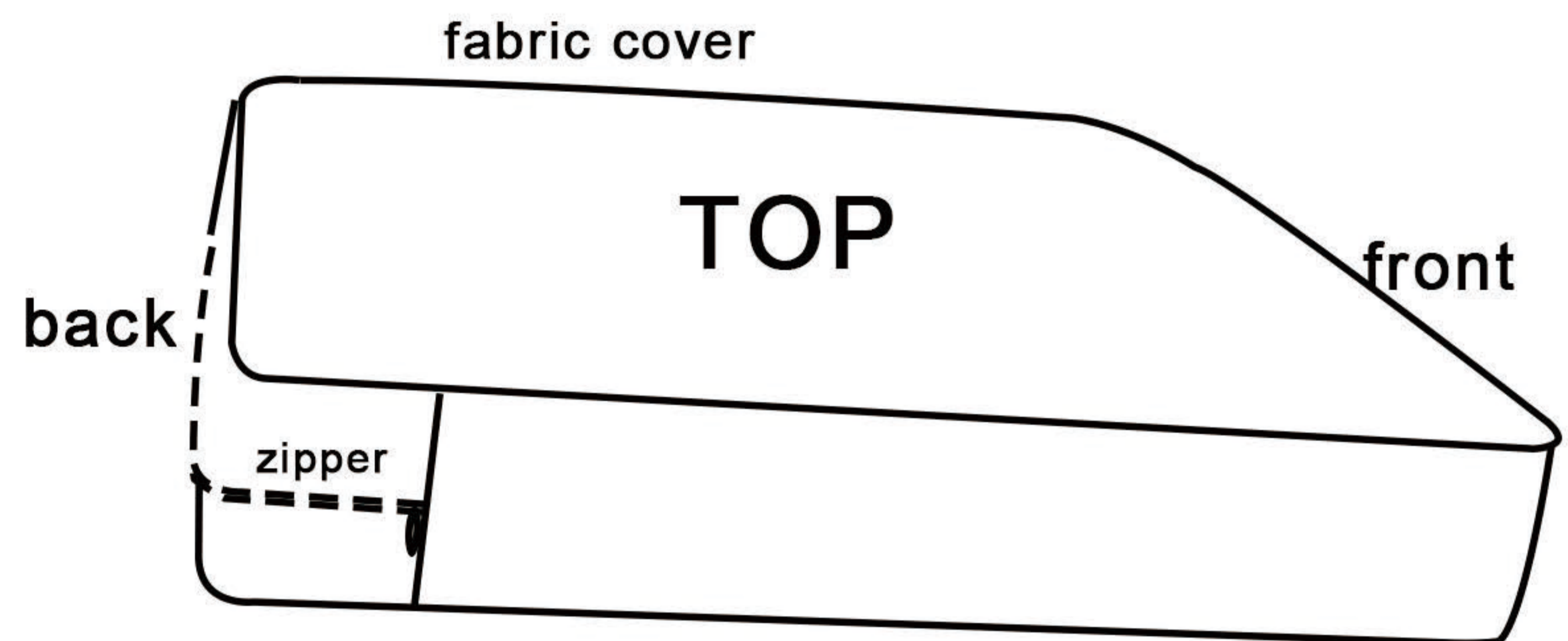
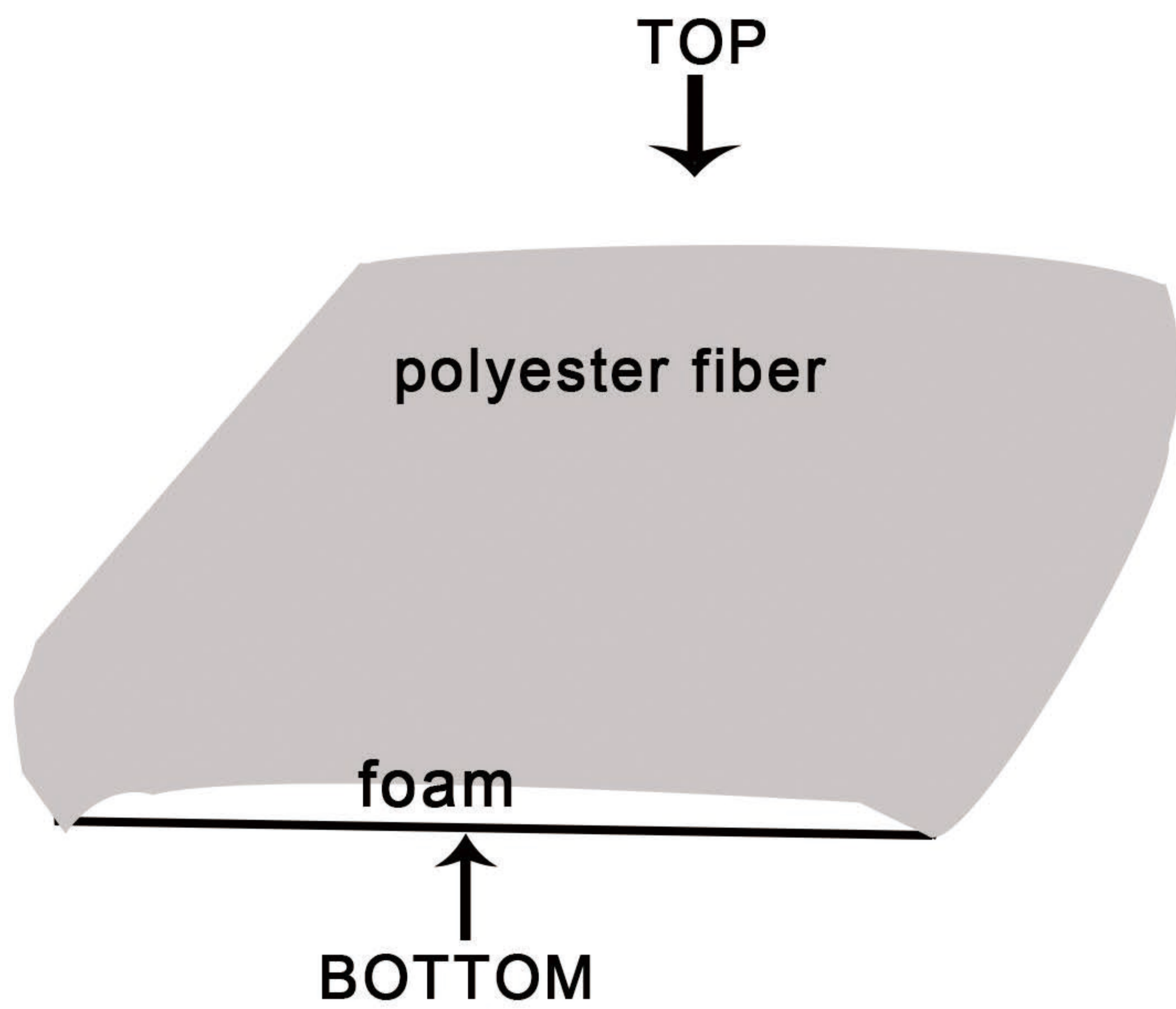


Carefully cut off the plastic bag

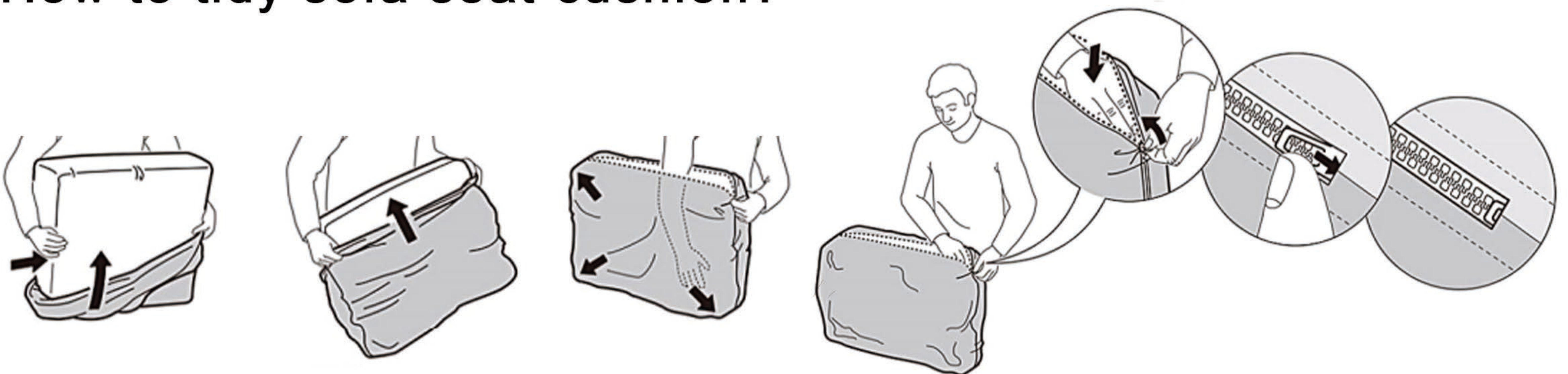


Open the plastic bag,
and remove the seat cushion foam

Step 2. Cover the fabric cover to the seat cushion foam. When you get the foam, you need to identify which side is the top and the bottom. The surface is with polyester fiber which will be the top of seat cushion, another side will be the bottom of seat cushion.



How to tidy sofa seat cushion?



At the beginning the seat cushions are a little loose which is normal. Please allow at least 72 hours for the seat cushions foam to recover to its natural state after covering the fabric covers.