




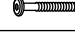
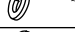
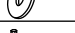
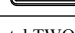


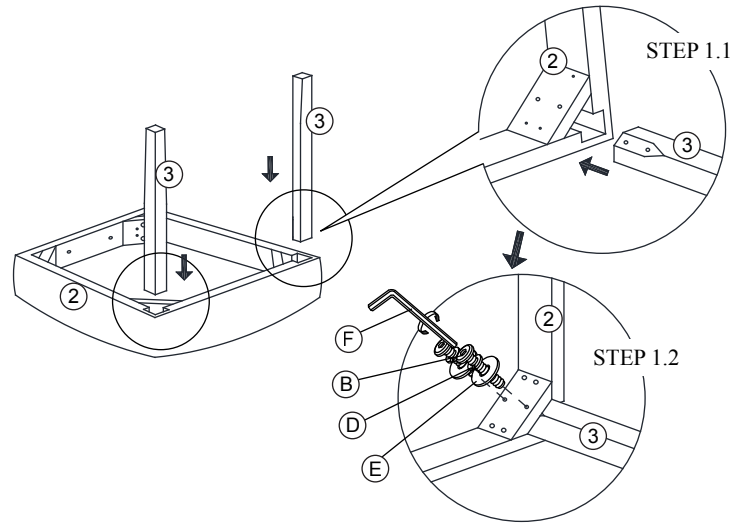
# ASSEMBLY INSTRUCTION

ITEM : D1 DINING CHAIR

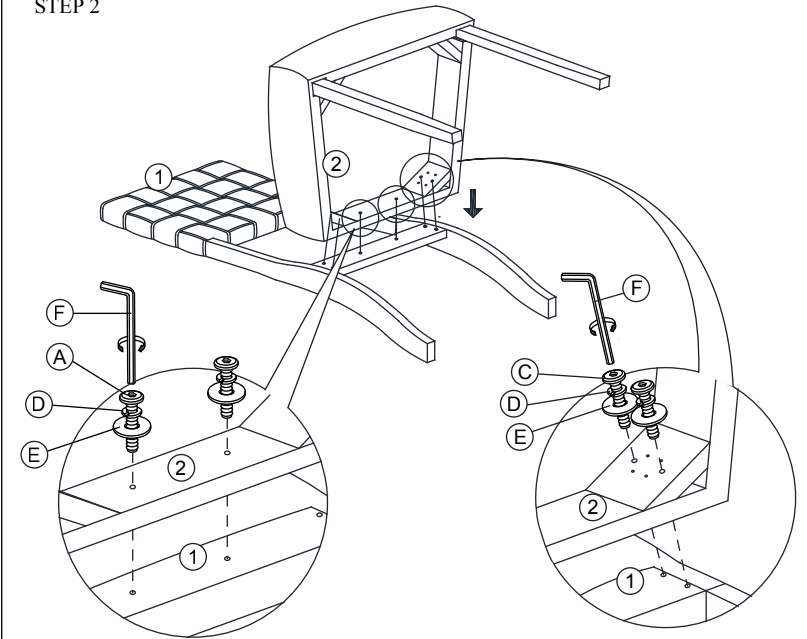
NO	PART LIST	QTY
1	 BACK PANEL 2PCS	2PCS
2	 CUSHION SEAT 2PCS	2PCS
3	 LEG 4PCS	4PCS
ITEM	HARDWARE	QTY
A	 JCBC SCREW M6 x 40mm 4PCS	4PCS
B	 JCBC SCREW M6 x 60mm 8PCS	8PCS
C	 JCBC SCREW M6 x 80mm 8PCS	8PCS
D	 SPRING WASHER M6 x 12MM 20PCS	20PCS
E	 FLAT WASHER M6 x 19MM 20PCS	20PCS
F	 L - KEY M4 x 100MM 1PC	1PC

There are total TWO (2) packs of hardware packs.  
Each hardware pack includes the hardware for TWO (2) chairs.

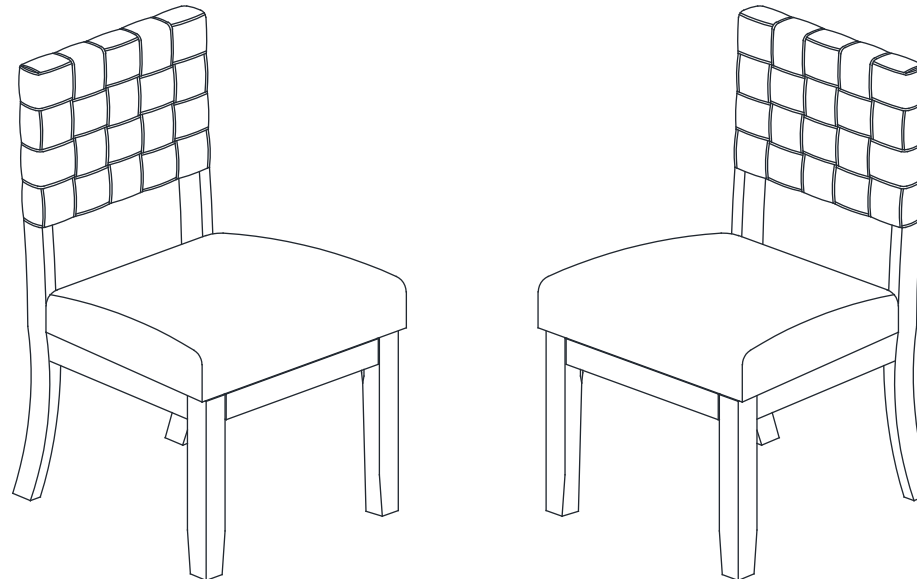
## STEP 1



## STEP 2



## STEP 3



ASSEMBLY  
COMPLETE

Please do not tighten the hardware until the entire assembly is completed.