







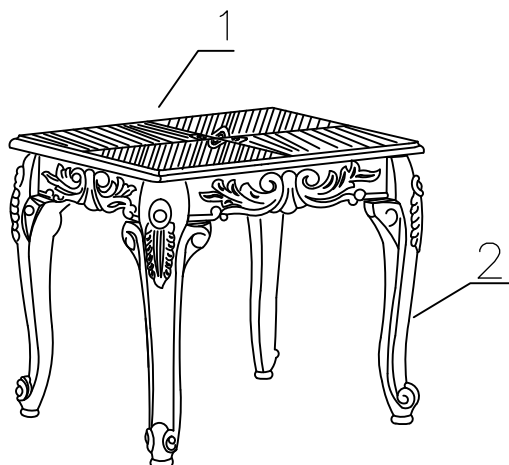
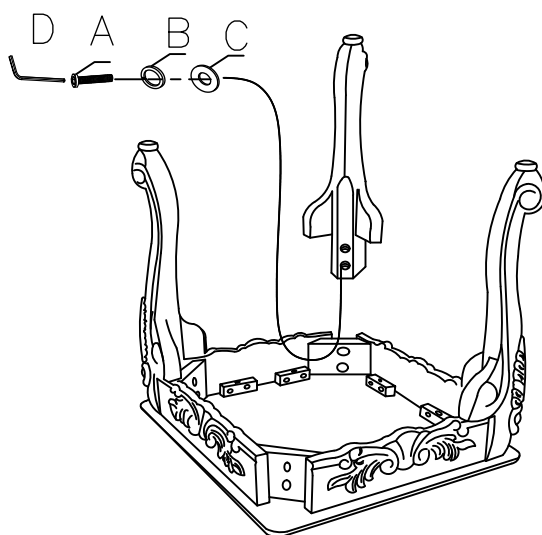
# ASSEMBLY INSTRUCTION

ITEM NO.:OE0017

PRODUCTS LIST			
NO	PART	DESCRIPTION	Q' TY
1		TABLE TOP	1PC
2		TABLE LEG	4PCS

HARDWARE LIST			
NO	PART	DESCRIPTION	Q' TY
A		$\phi 5/16'' * 2''$ L	8PCS
B		$\phi 5/16''$	8PCS
C		$\phi 5/16'' * 19$ MM	8PCS
D		$\phi 5$ MM	1PC

STEP 1:



Do not tighten screws until completely assembled.