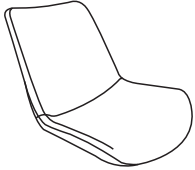
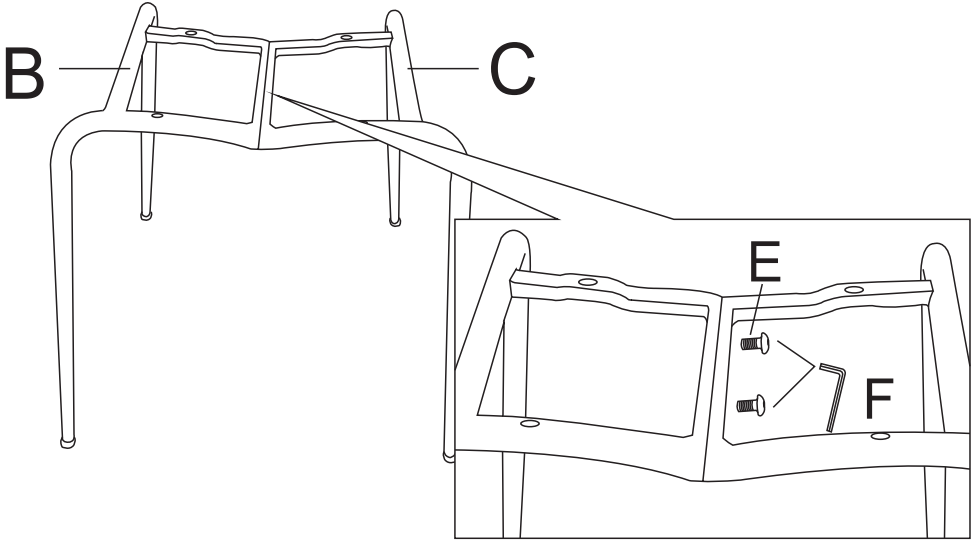



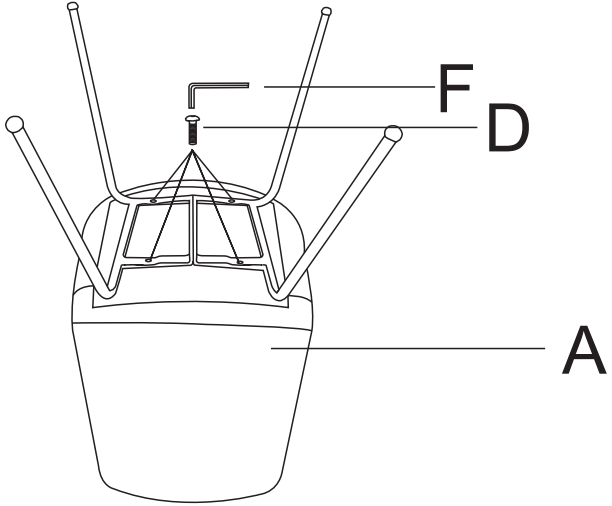
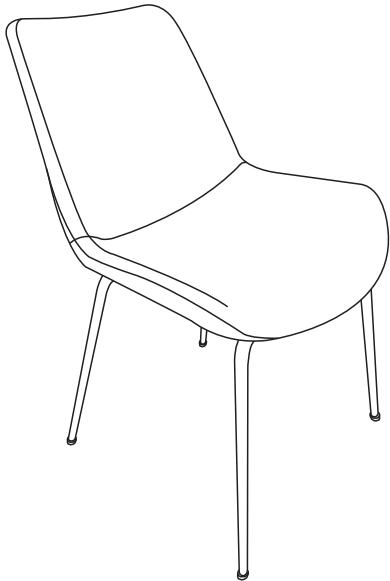



# C111 ASSEMBLY INSTRUCTIONS

<p>Ax1</p> 	<p>1</p> 	
<p>Bx1</p> 		
<p>Cx1</p> 		
<p>Dx4</p>  <p>M6*22</p>	<p>2</p> 	<p>3</p> 
<p>Ex2</p>  <p>M8*14</p>		
<p>Fx1</p> 