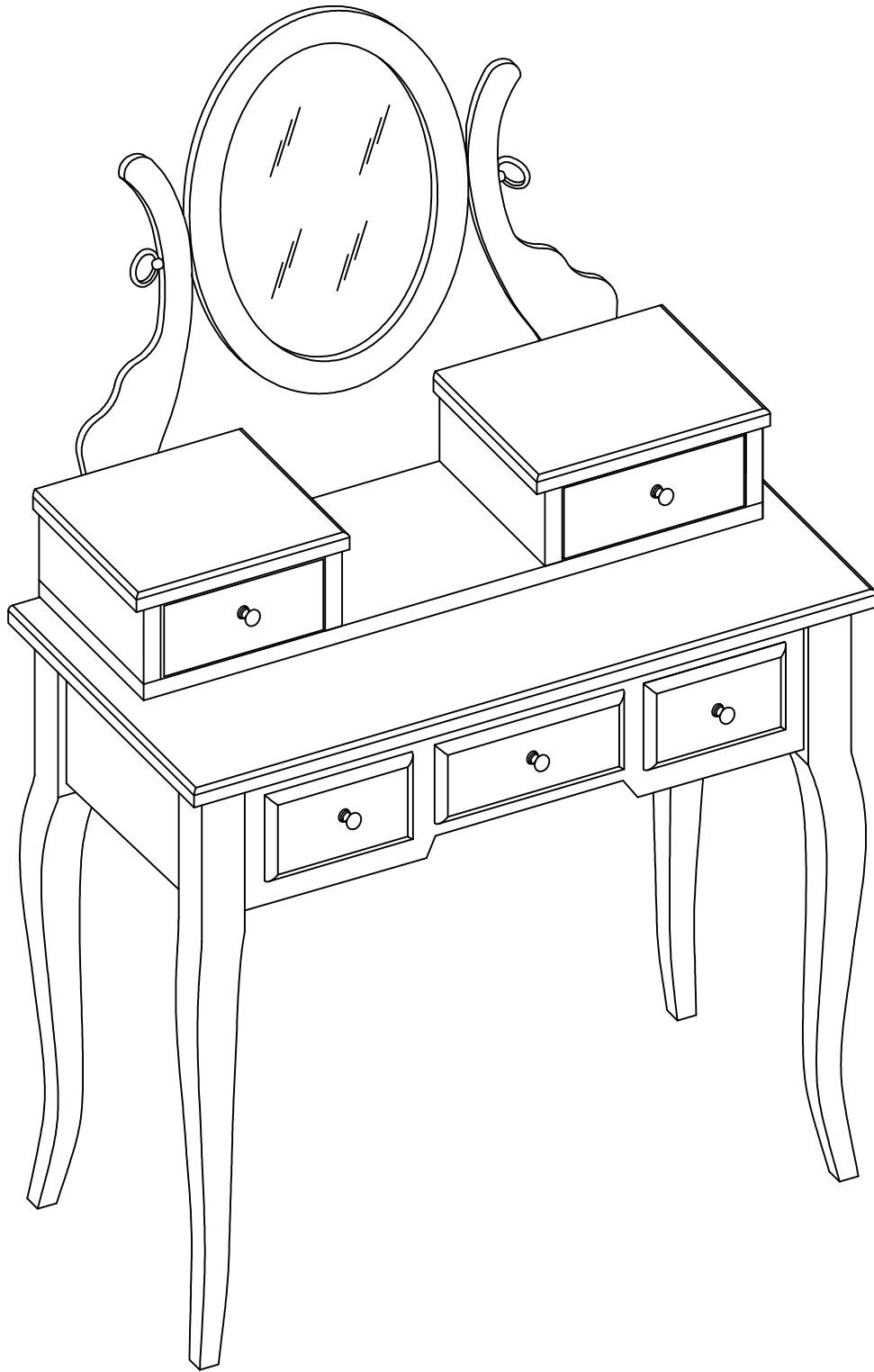
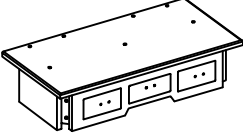

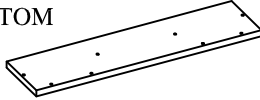
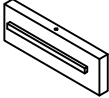

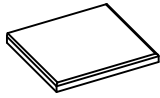
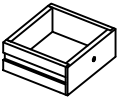


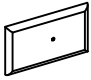
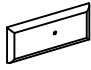


ITEM#3418 ASSEMBLY INSTRUCTIONS

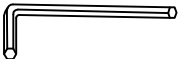








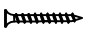

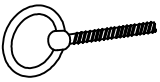



ITEM#3418 ASSEMBLY INSTRUCTIONS

Parts List

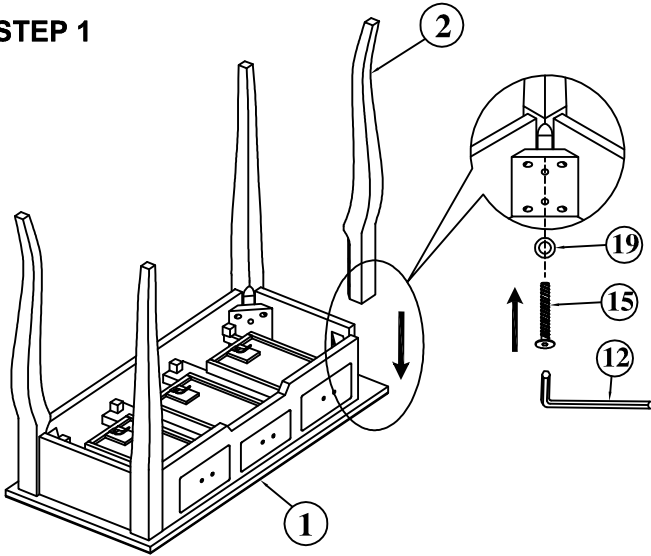
| | | |
|--|---|---|
| <p>1. TABLE TOP 1 piece</p>  | <p>2. TABLE LEG 4 pieces</p>  | <p>3. SHELF BOTTOM 1 piece</p>  |
| <p>4. SIDE PANEL 4 pieces</p>  | <p>5. SOLE (L+R) 2 pieces</p>  | <p>6. SHELF TOP 2 pieces</p>  |
| <p>7. DRAWERS 2 pieces</p>  | <p>8. SUPPORT (L+R) 2 pieces</p>  | <p>9. MIRROR 1 piece</p>  |
| <p>10. FRONT DRAWERS (A) 2 pieces</p>  | <p>11. FRONT DRAWERS (B) 1 piece</p>  | |

Hardware List

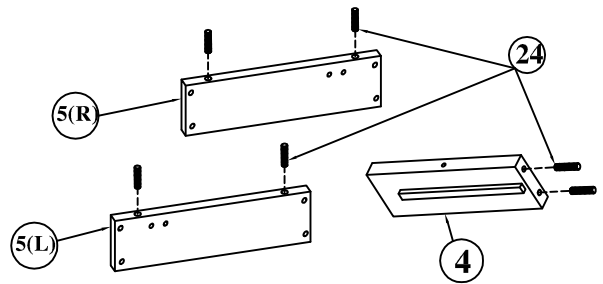
| | | |
|---|---|---|
| <p>12. ALLEN KEY 1 piece</p>  | <p>13. BOLT (A) 4 pieces</p>  | <p>14. BOLT (B) 4 pieces</p>  |
| <p>15. BOLT (C) 8 pieces</p>  | <p>16. BOLT (D) 7 pieces</p>  | <p>17. BOLT HANDLE 5 pieces</p>  |
| <p>18. BARREL NUT 4 pieces</p>  | <p>19. LARGE WASHER 8 pieces</p>  | <p>20. SMALL WASHER 4 pieces</p>  |
| <p>21. LARGE SCREW 6 pieces</p>  | <p>22. HANDLE 5 pieces</p>  | <p>23. TYPE BOLT 2 pieces</p>  |
| <p>24. WOODEN PEGS 12 pieces</p>  | | |

ITEM#3418 ASSEMBLY INSTRUCTIONS

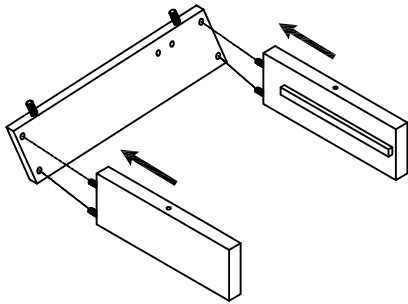
STEP 1



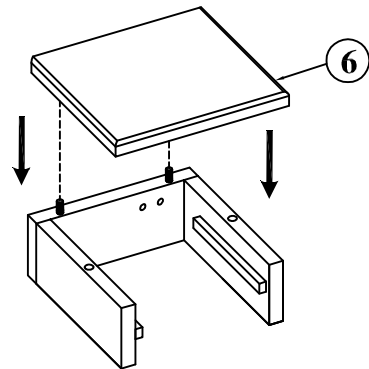
STEP 2



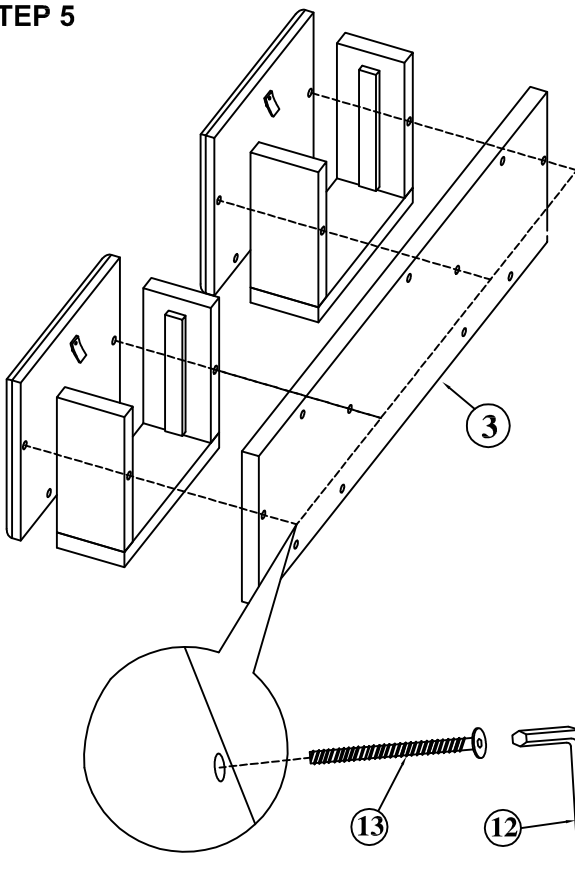
STEP 3



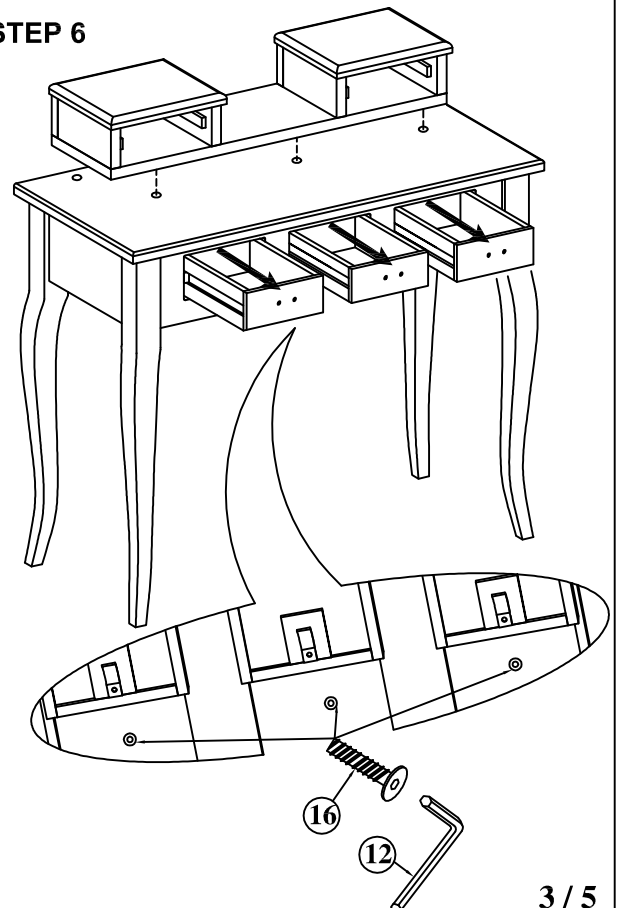
STEP 4



STEP 5

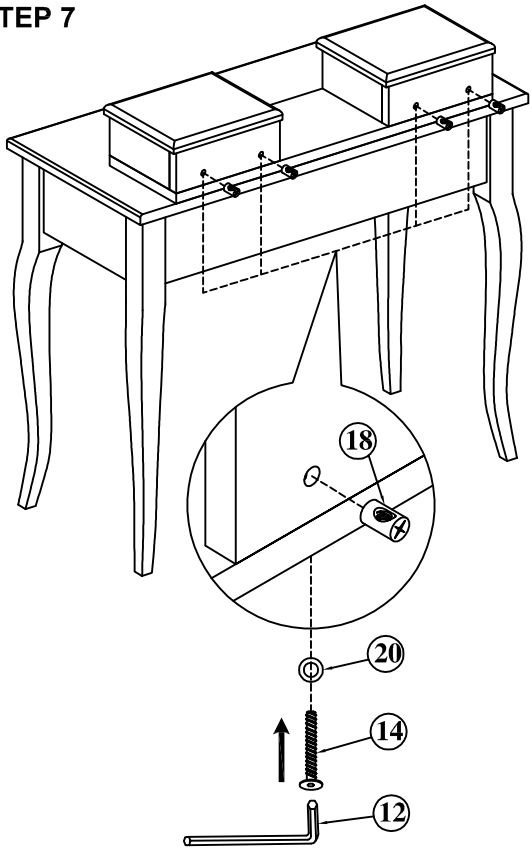


STEP 6

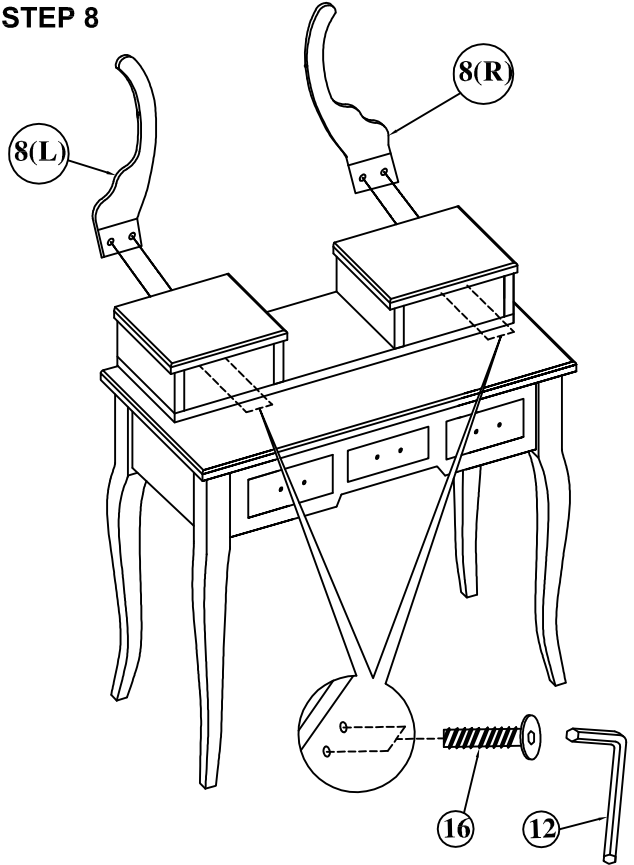


ITEM#3418 ASSEMBLY INSTRUCTIONS

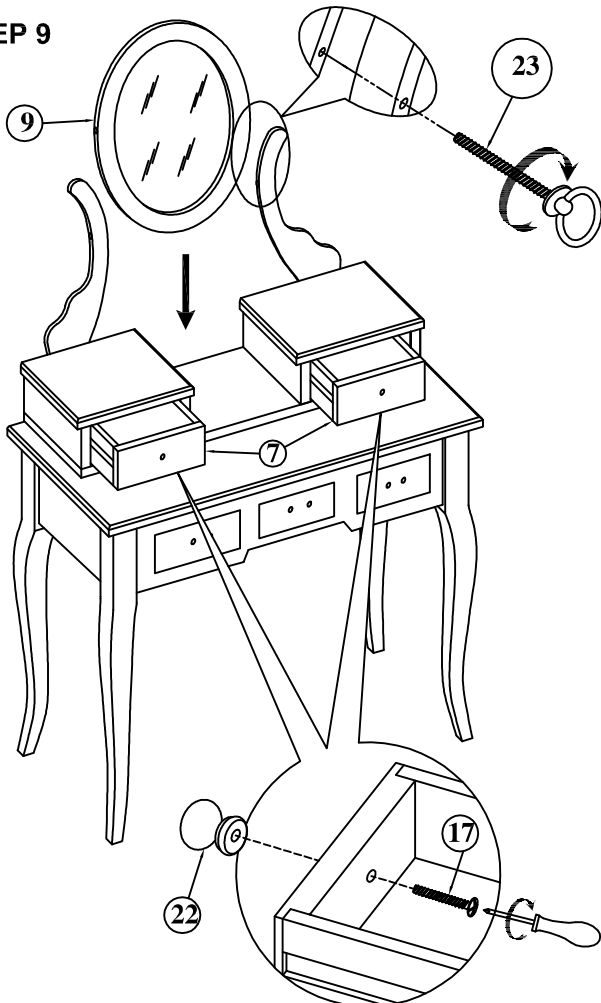
STEP 7



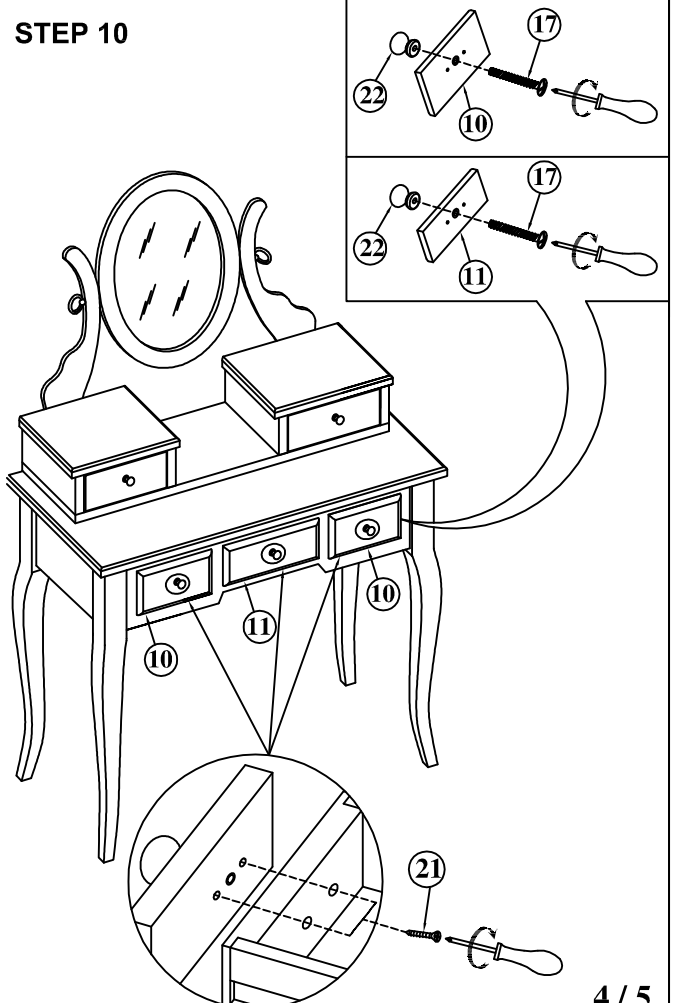
STEP 8



STEP 9

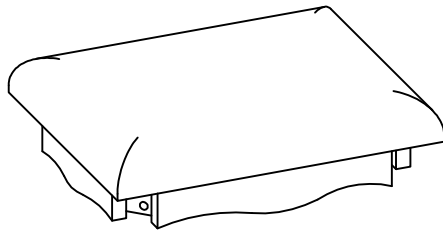


STEP 10



ITEM#3418 ASSEMBLY INSTRUCTIONS

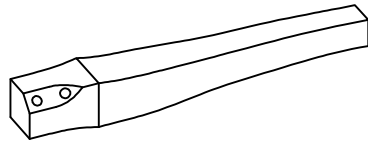
1. SEAT
1 piece



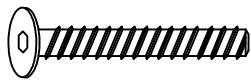
5. ALLEN KEY
1 piece



2. LEG
4 pieces



3. BOLT
8 pieces



4. WASHER
8 pieces

