



## Introduction

Please read over this guide to familiarize yourself with the necessary tools, materials, and installation steps prior to the actual installation.

All information provided in this guide is based on the latest product information at the time of publication. Clovis reserves the right to make changes

These instructions contain important care, cleaning, installation, and warranty information. Please leave instructions for the consumer. Do not discard.

## Installer Hazard Notification

**CAUTION: Risk of personal injury.** Bathtubs are extremely heavy. Wear appropriate safety equipment during the installation.

## Warranty

### **SOLID SURFACE BATHTUBS– 5 YEAR LIMITED WARRANTY**

bathtubs are warranted to be free of defects in material and workmanship for **FIV YEARS** from original purchase date. Accessories only for **ONE YEAR** guarantee.

Ferdy will, at its election, repair, replace or make appropriate adjustment where inspection discloses any such defects occurring in normal usage within FIVE YEARS after the purchase to its original owner. Proof of purchase (original sales receipt or other appropriate documentation as outlined earlier in the warranty requirements section) **MUST** be provided to with all warranty claims.

Ferdy will not be held responsible for labor charges, installation, removal, or other incidental or consequential costs.

\*In no event shall the liability of, Inc. exceed the purchase price of the item purchased.

Some States do not allow the exclusion or limitation of incidental or consequential damages, so the above limitation or exclusion may not apply to you. This warranty gives you specific legal rights, and you may also have other rights which vary from State to State.

**NEVER USE CLEANERS CONTAINING ABRASIVE CLEANERS, AMMONIA, BLEACH, ACIDS, ALCOHOL, SOLVENTS OR OTHER PRODUCTS NOT RECOMMENDED FOR ACRYLIC OR ENAMELED FINISHES. THIS WILL VOID THE ITEM'S (OR ITEMS') 5-YEAR LIMITED WARRANTY.**

**\*Due to the nature of the materials, models can differ up to 20mm from the listed dimensions.**

### **Important**

Before you begin installation please read the below instructions, observe all local plumbing and building codes.

.Store bathtub in a safe place until you begin installation to avoid damage to the bathtub's surface.

.Check area where tub will be installed to ensure that it is leveled and structurally sound.

.Please unwrap the bathtub and check it carefully for any damage that may have occurred during transportation.

.Check that all parts are included. If you have missing parts, damage is found or have any questions regarding the installation process, contact customer service at.

.We recommend that the installation of this bathtub be done by a qualified licensed professional.

.Because of its weight and volume we recommend that the installation of this bathtub be done with the help of at least one other person.

.These installation instructions do not include details of waste connections, the final details should be determined by your contractor.

.No claims for damages or blemishes will be accepted once the bathtub has been installed.

### **Cleaning and Maintenance**

Because white stone is a very durable non porous material, resistant to scratches, stains and discoloration, it is very easy to maintain, however, there are a few do's and don'ts that will ensure that your bathtub does not lose its luster throughout the years.

.Do clean it with a soft dry cloth after use.

.Do not use abrasive cleaners, cleaners containing acid, alkali or ammonia to remove stains.

.Do not expose the surface of this bathtub to hair dye or nail varnish as this may cause stains.

The bathtub includes a sheet of extra fine grit sand paper. If your bathtub develops minor scratches they may be removed by scrubbing gently with the fine grit sand paper, a soft brush or a non-abrasive sponge and a mild abrasive cream cleaner. In addition, should the minor scratches remain or you would like to polish the area in question to its original finish, you can perform the following procedure.

### **Matte finish**

.Clean the surface with water, make sure no dust remains.

.Using water, polish the area starting with 800 grit sand paper.

.Wipe up the remaining wax with clean dry cloth.

## SOLID SURFACE MATTE WHITE BATHTUB WITH DRAIN

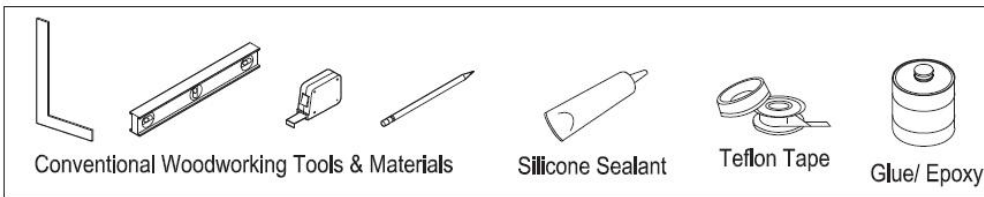
### Caution

This bathtub is heavy. Get help lifting and moving this bathtub. Read all instructions thoroughly before starting the installation.

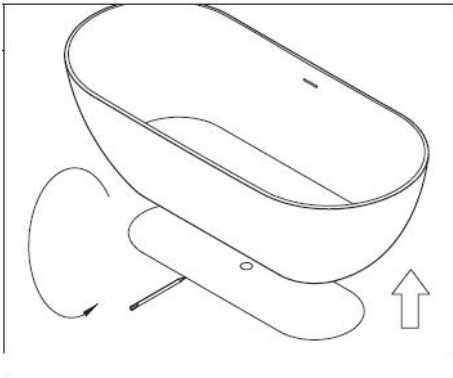
### Important Points to Remember:

1. Provide adequate floor support.
2. Make sure the subfloor is level. Provide drain access from below. Provide access to all plumbing connections. Observe local building and plumbing codes.

### Need Tools:

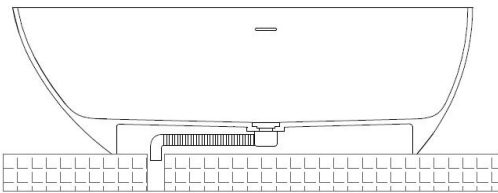


1. Position the tub at the desired location, with a pencil mark the perimeter of the tub, also mark the location of where the tub drain will be situated, remove the tub and place upside down on a blanket or piece of cardboard.



2. Carefully set bathtub into position and rough in your drain pipe (1 1/2") accordingly.

**\*Drain pipe is extendable and adjustable to meet your needs.**



3. Close the drain and fill tub with 2" with water, while inspecting the connections from below the floor drain and check for leaks. Apply caulking around the perimeter as needed, clean excess caulking.

