

Attention please :

**Improper use of screws may cause the product surface damage!
Please be careful when installing.**

**To prevent you from confusing the accessories and boards, Please
do not mix the parts of different units when you buy two or more
products at the same time.**

READ AND SAVE THIS INSTRUCTIONS FOR FUTURE USE

ASSEMBLY & INSTRUCTION MANUAL

ASSEMBLY PRECAUTIONS

1. Assemble needs to follow these instructions. Incorrect assembly can be a hazard.
2. Wear safety goggles and heavy-duty work gloves during assembly.
3. Do not assemble when tired or under the influence of alcohol, drugs or medication.
4. Weight capacity and other product capabilities only apply to a wholly and correctly assembled product.
5. Keep the assembly area clean and well-lit.
6. Keep bystanders out of the area during assembly.
7. The weight of plate is heavy; pay attention to the installation to avoid hurting it, and if necessary, find someone to assist with the installation.

Assembling this cart will take approximately 3 hours, it is recommended that 2 people operate it.

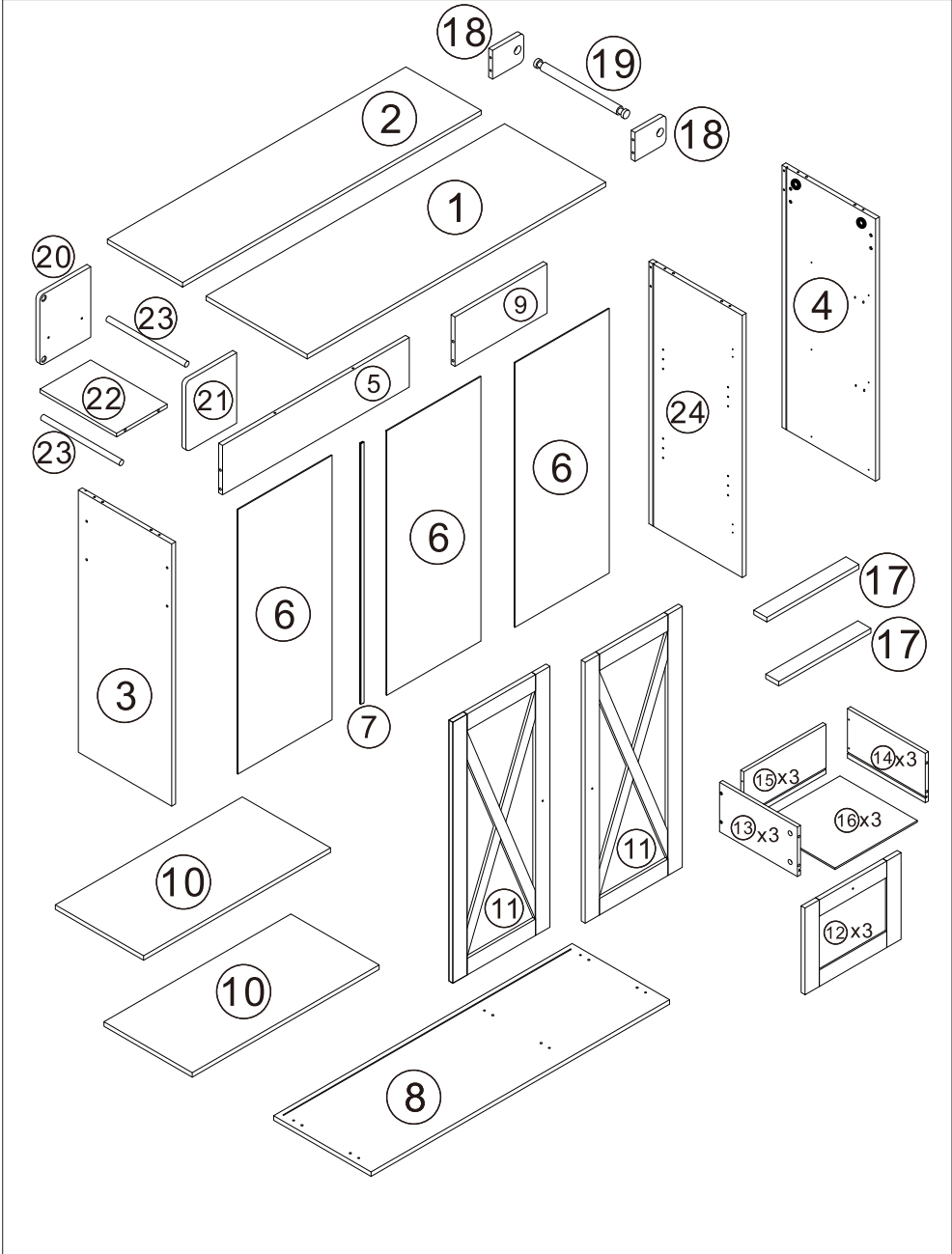
USE PRECAUTIONS



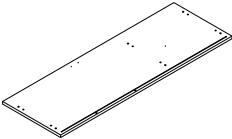
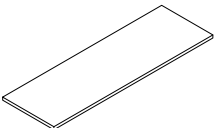
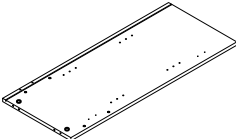
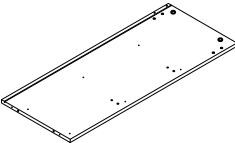
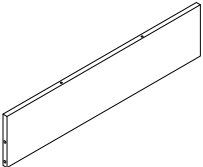
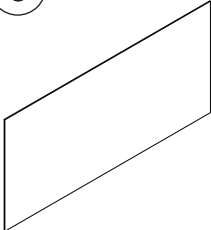
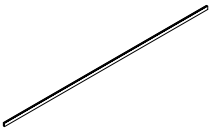
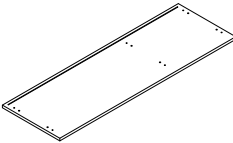
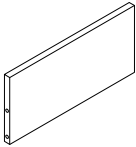
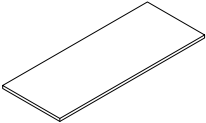
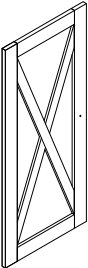
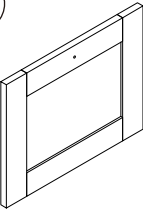
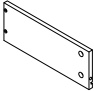
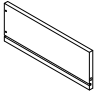
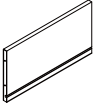
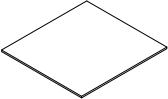
WARNING: TO PREVENT SERIOUS INJURY AND DEATH FROM TIPPING:

1. This product is not a toy. Do not allow children to play with or approach this item.
2. Use as intended only. Do not sit or stand on the product.
3. Inspect before every use. Do not use it if parts are loose or damaged.
4. Use on flat, level, and hard surfaces only.
5. Do not exceed the listed weight capacity. Tighten all knobs securely before applying load. Be aware of dynamic loading! The sudden load movement may briefly create an excess load, causing product failure.

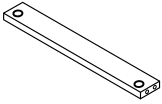
Exploded Drawing



PARTS LIST

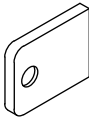
<p>1</p>  <p>1 PC</p>	<p>2</p>  <p>1 PC</p>	<p>3</p>  <p>1 PC</p>	<p>4</p>  <p>1 PC</p>
<p>5</p>  <p>1 PC</p>	<p>6</p>  <p>3 PCS</p>	<p>7</p>  <p>1 PC</p>	<p>8</p>  <p>1 PC</p>
<p>9</p>  <p>1 PC</p>	<p>10</p>  <p>2 PC</p>	<p>11</p>  <p>2 PCS</p>	<p>12</p>  <p>3 PCS</p>
<p>13</p>  <p>3 PCS</p>	<p>14</p>  <p>3 PCS</p>	<p>15</p>  <p>3 PCS</p>	<p>16</p>  <p>3 PCS</p>

17



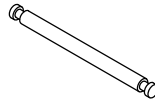
2 PC

18



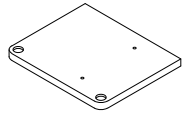
2 PCS

19



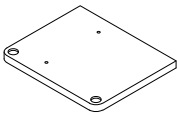
1 PC

20



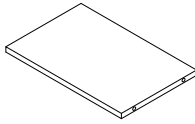
1 PC

21



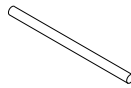
1 PC

22



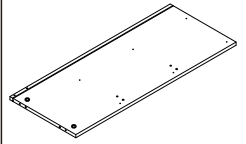
1 PC

23
















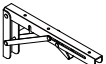



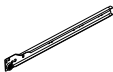

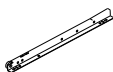



2 PC

24

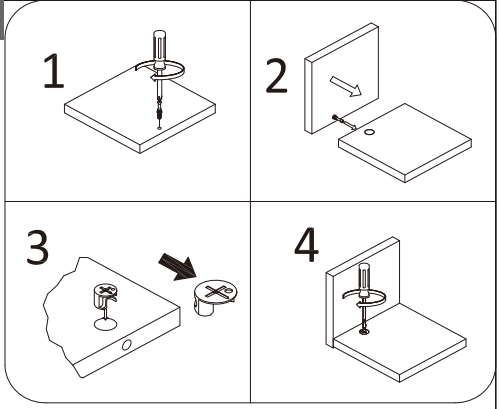
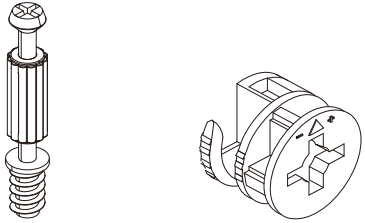


1 PC

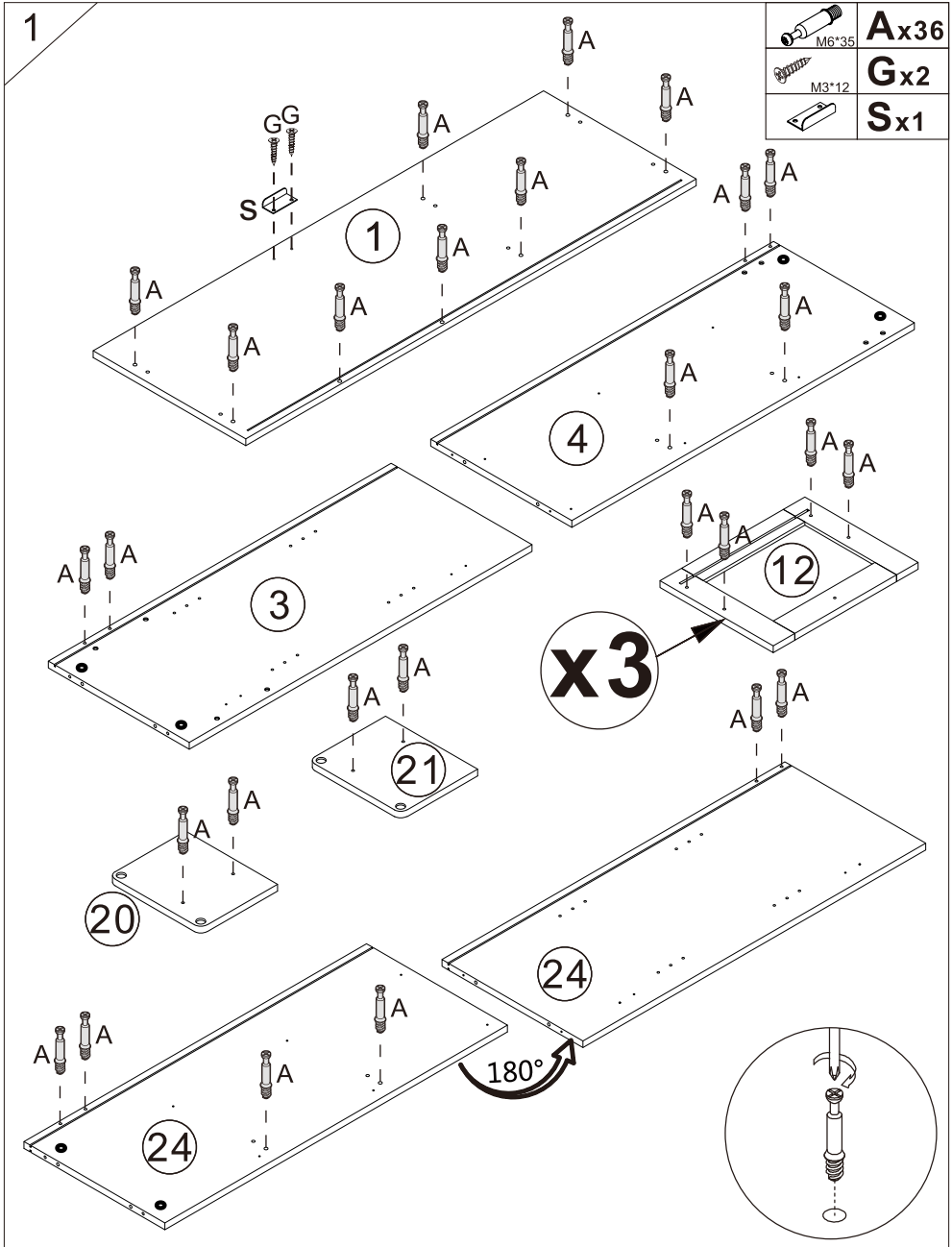
A M6*35  36 PCS +1spare	B Ø15*10  36 PCS +1spare	C Ø6*30  16 PCS +1spare	D M4*35  6 PCS	E M4*20  5 PCS	F  5 PCS	G M3*12  26 PCS +1spare	H M7*40  8 PCS
I M5*14  26 PCS +1spare	J  2 PCS	K  2 PCS	L M4*30  12 PCS +1spare	M M4*14  24 PCS +1spare	N  4 PCS	O  8 PCS	P  2 PCS
Q  1 PC	R  4 PCS	S  1 PC	CL  3 PCS	CR  3 PCS	DL  3 PCS	DR  3 PCS	

Cam Lock Fastening System




This Cam Lock Fastening System will be used throughout the assembly process

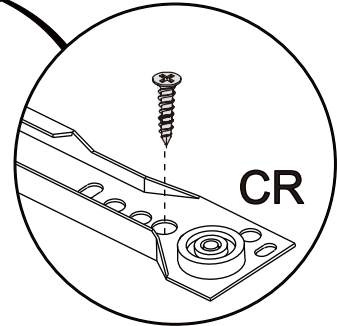
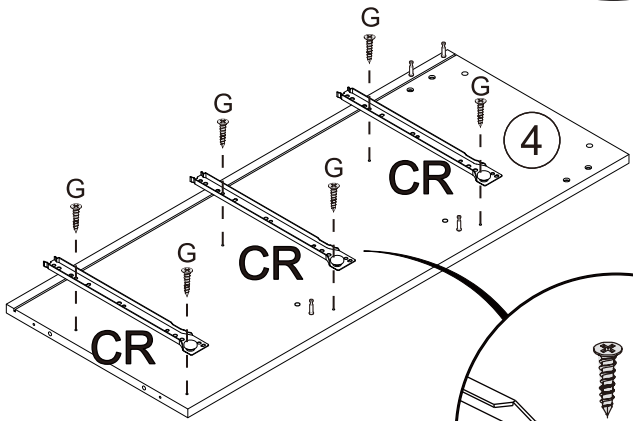
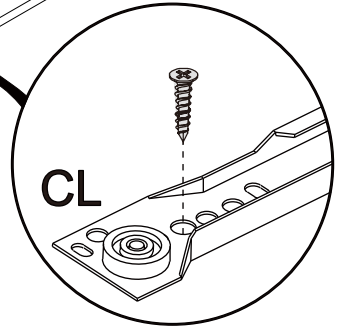
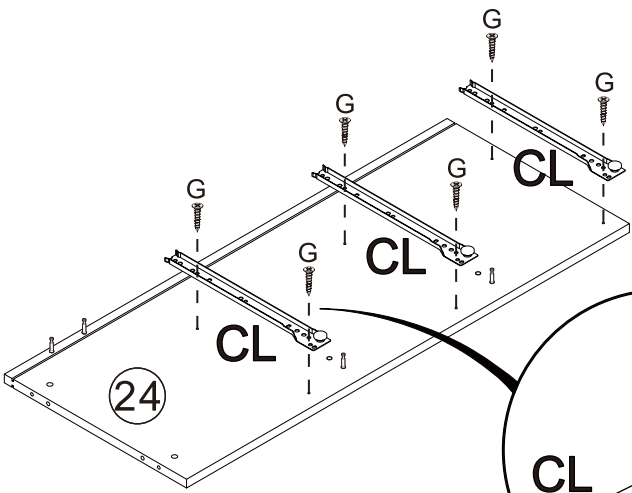


ASSEMBLY STEPS



2

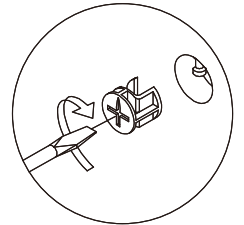
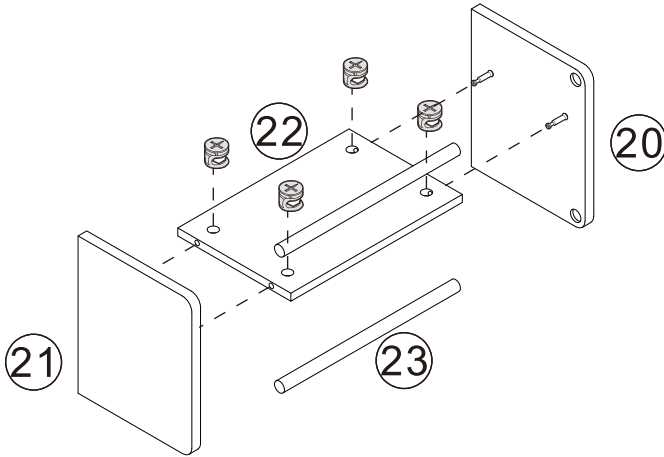
	CLx3
	CRx3
	Gx12
<small>M3*12</small>	



3



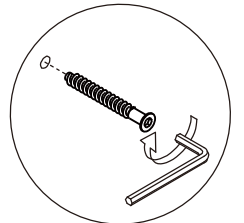
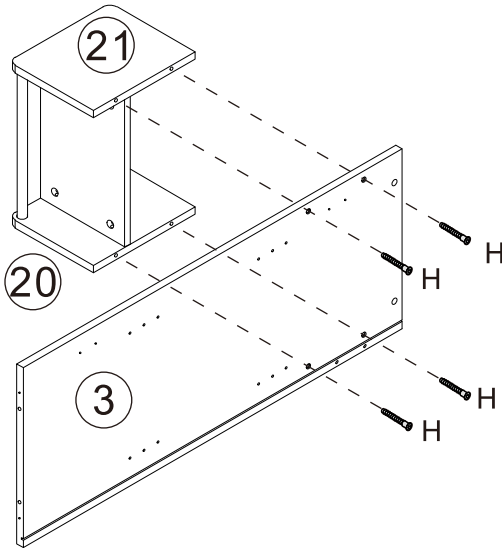
Bx4



4

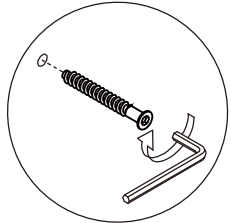
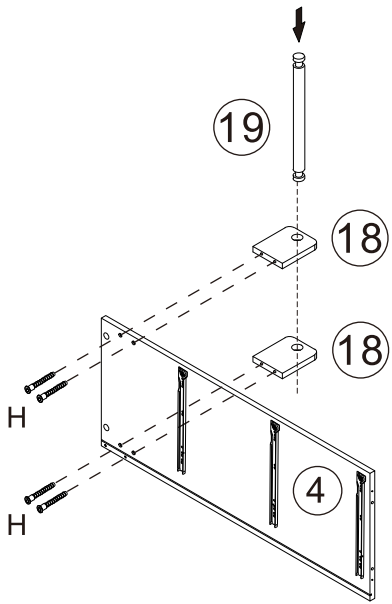


Hx4



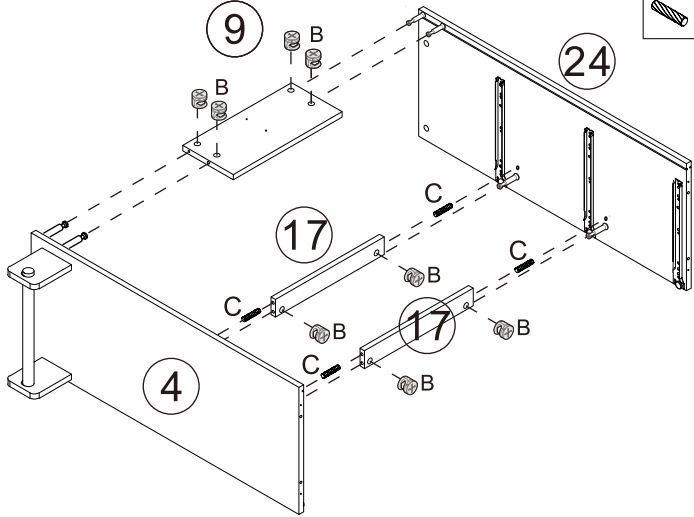
5

M7*40 Hx4



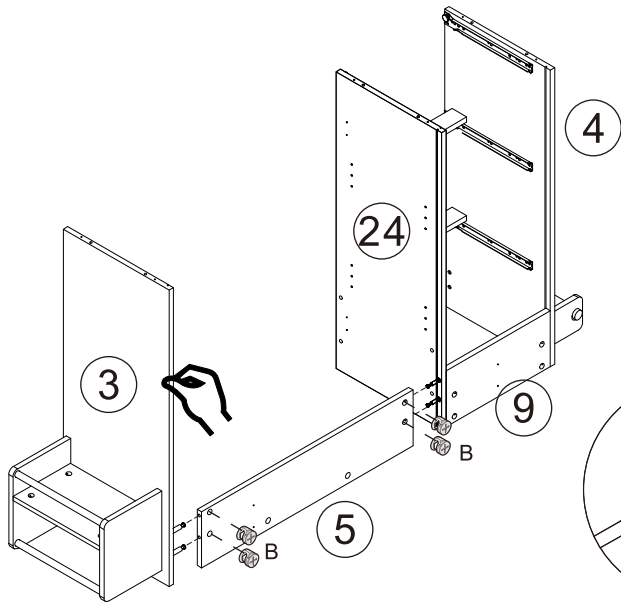
6

Ø15*10 Bx8
M6*30 Cx4





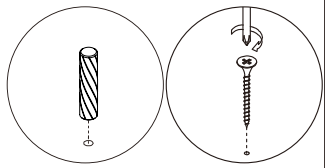
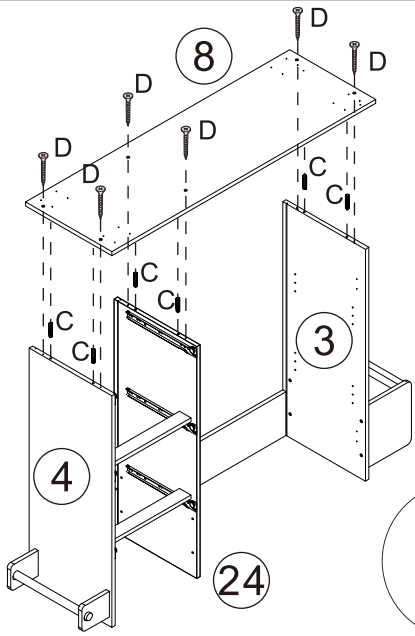
7

 $\varnothing 15 \times 10$ **B x 4**

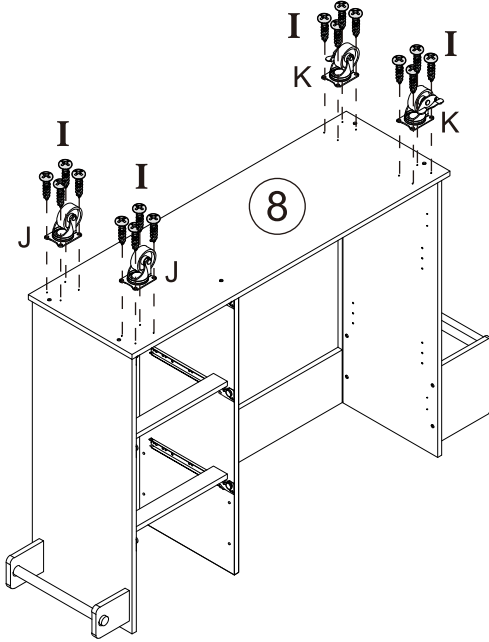





8

 M6*30 **C x 6**
 M4*35 **D x 6**

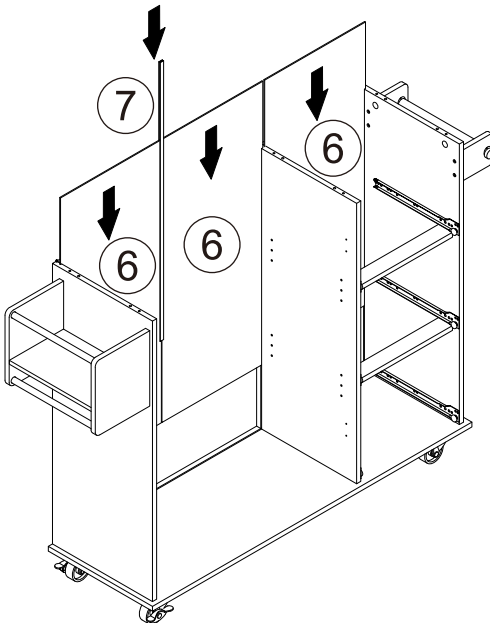


9

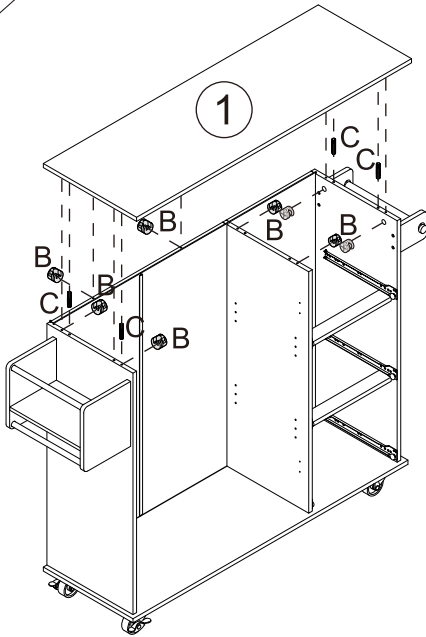




 M5*14	I x16
	J x2
	K x2

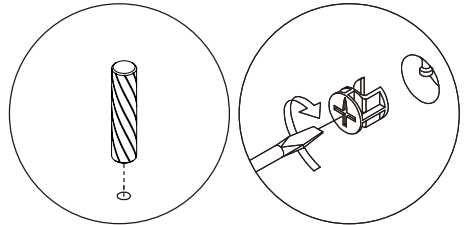
10



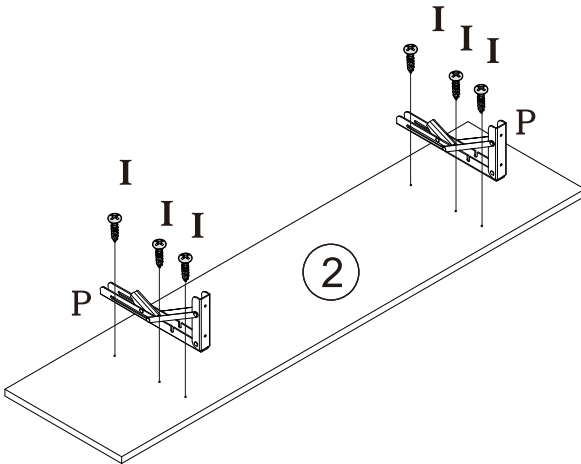
11



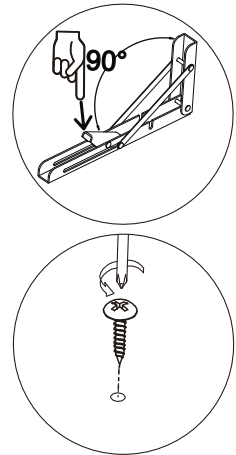
 Ø15*10	Bx8
 M6*30	Cx6



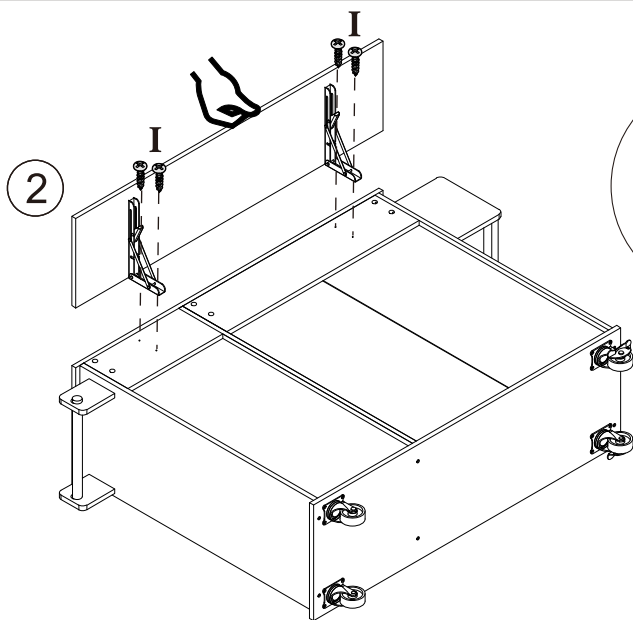
12



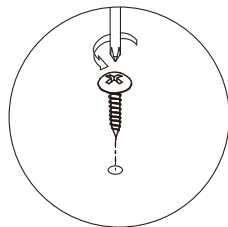
 M5*14	Ix6
	Px2



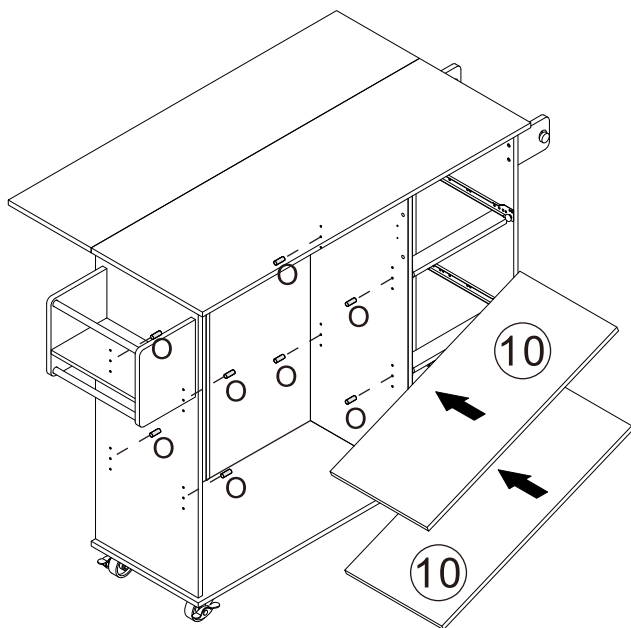
13



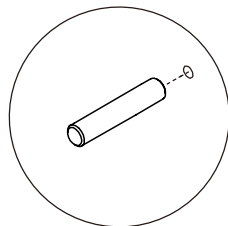
M5*14 Ix4



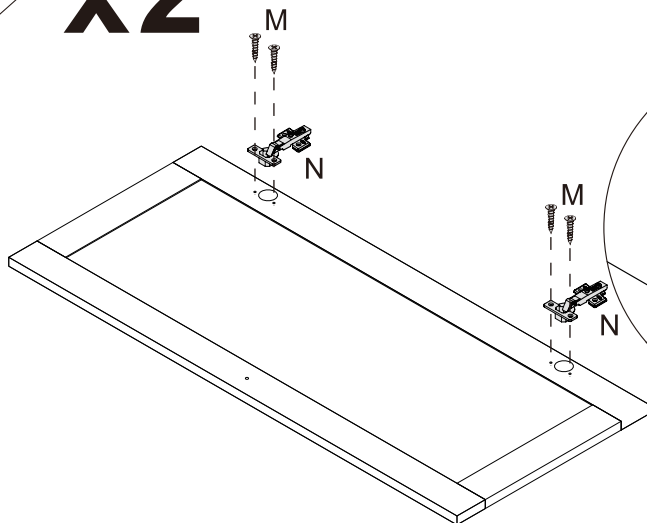
14



Ox8

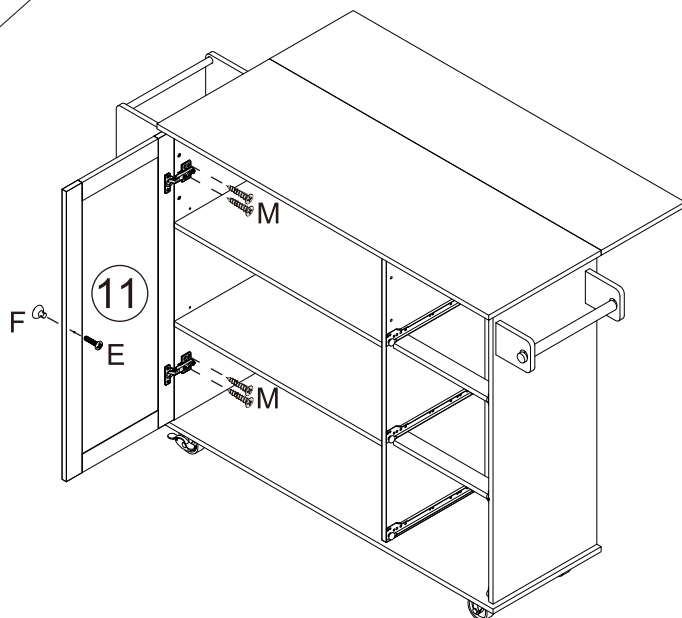





15

x2

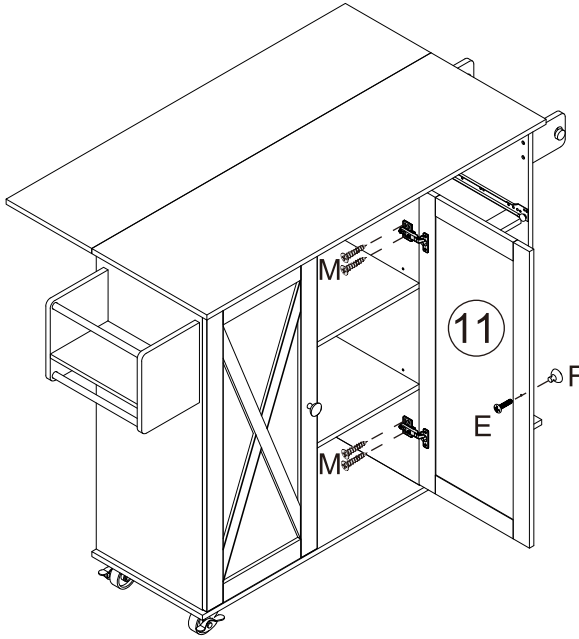
	M_{x8}
	N_{x4}




16



	E_{x1}
	F_{x1}
	M_{x4}

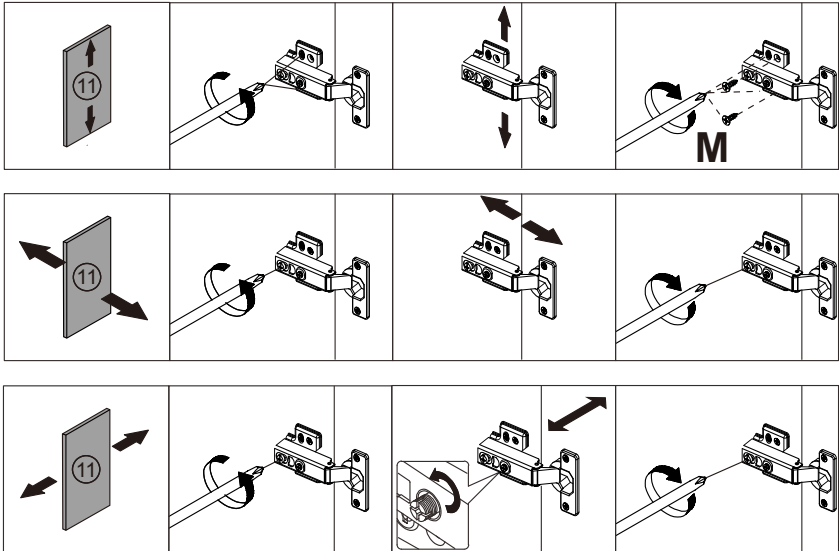
17



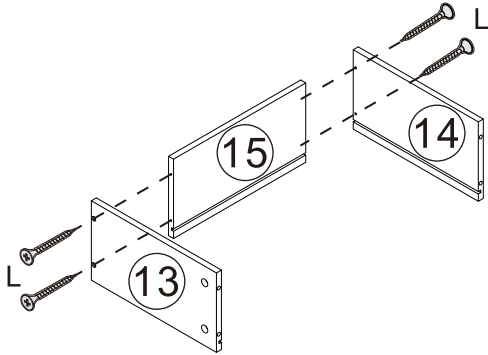
 M4*20	E x1
	F x1
 M4*14	M x4





18

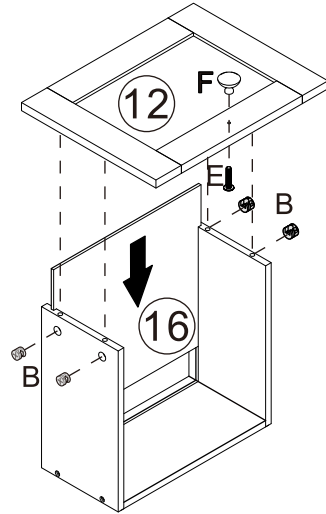
 M4*14	M x8
---	-------------



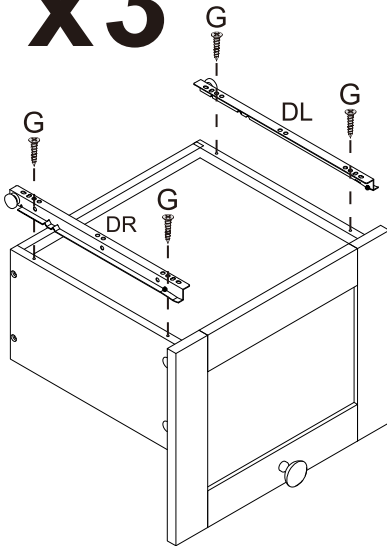
19




x3

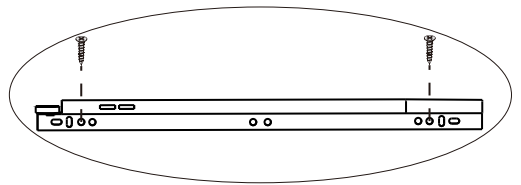
 $\varnothing 15 \times 10$	Bx12		Fx3
 $M4 \times 20$	Ex3	 $M4 \times 30$	Lx12



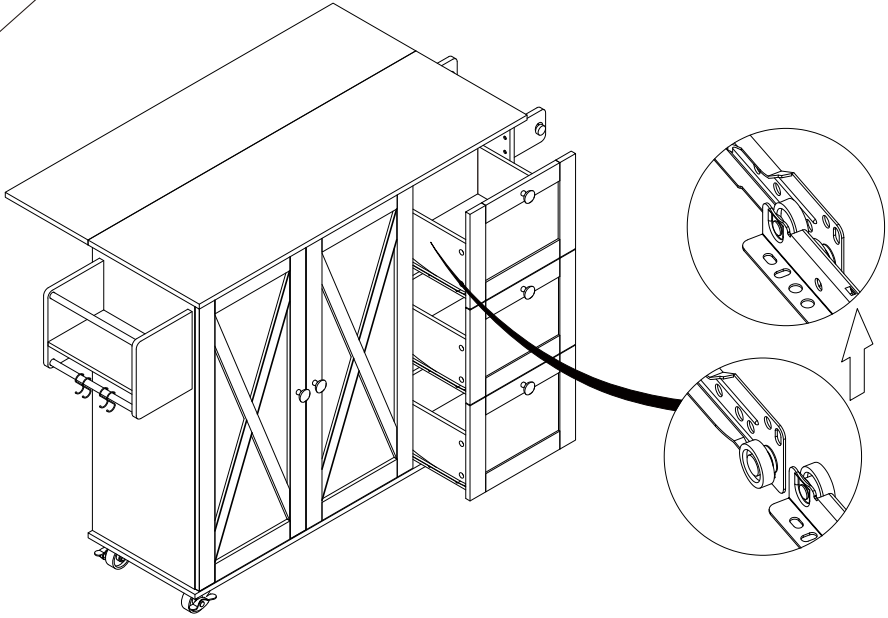
20

x3

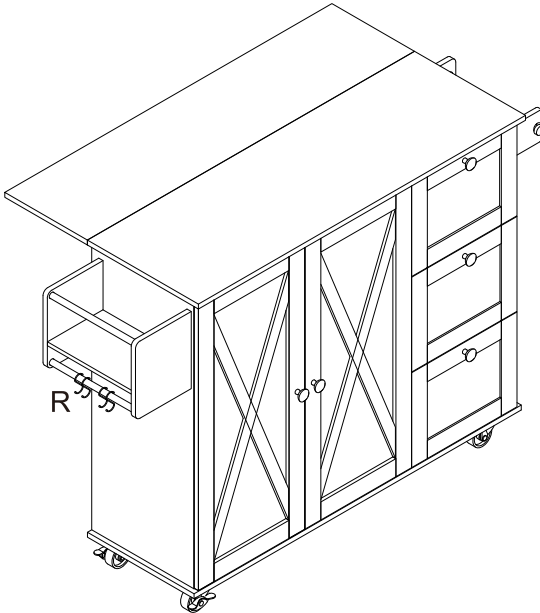
	DLx3
	DRx3
 $M3 \times 12$	Gx12



21



22



S

Rx4