

# INSTALLATION INSTRUCTIONS WARRANTY INFORMATION

---

## FOR SHOWER DOOR AND BATHTUB DOOR



KDSC-6076-CH  
KDSC-6076-BR  
KDSC-6076-BL  
KDSC-6676-CH  
KDSC-6676-BR  
KDSC-6676-BL

KDSC-7276-CH  
KDSC-7276-BR  
KDSC-7276-BL  
KDSC-7676-CH  
KDSC-7676-BR  
KDSC-7676-BL

## ◆ General Information

Inspect the product immediately upon receipt for transit damage, missing packs/parts or manufacturing fault. Damage reported later will not be accepted. Handle the product with care avoiding knocks and shock loading to all sides and edges of the glass.

**Notes: Safety glass can not be re-worked.**

Read these instructions carefully before start of installation.

Special care should be taken when drilling walls to avoid hidden pipes or electrical cables.

Note: This product is heavy and may require two people to install.

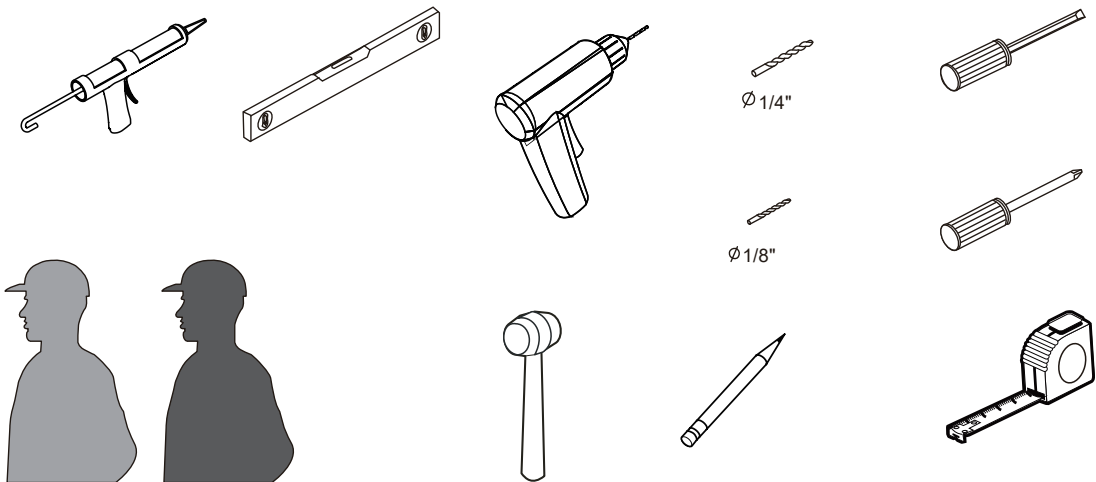
## Aftercare instructions

After use, your shower should be cleaned with soap and water. This is particularly important in hard water districts where insoluble lime salts maybe deposited and allowed to build up. Cleaners of a gritty or abrasive nature should not be used. Care should be taken to avoid contact with strong chemicals, they can be used but with caution, if in doubt contact the manufacturer of the cleaner in question.

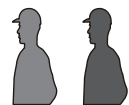
Keep these instructions for aftercare and customer service details.

---

## Tools Required

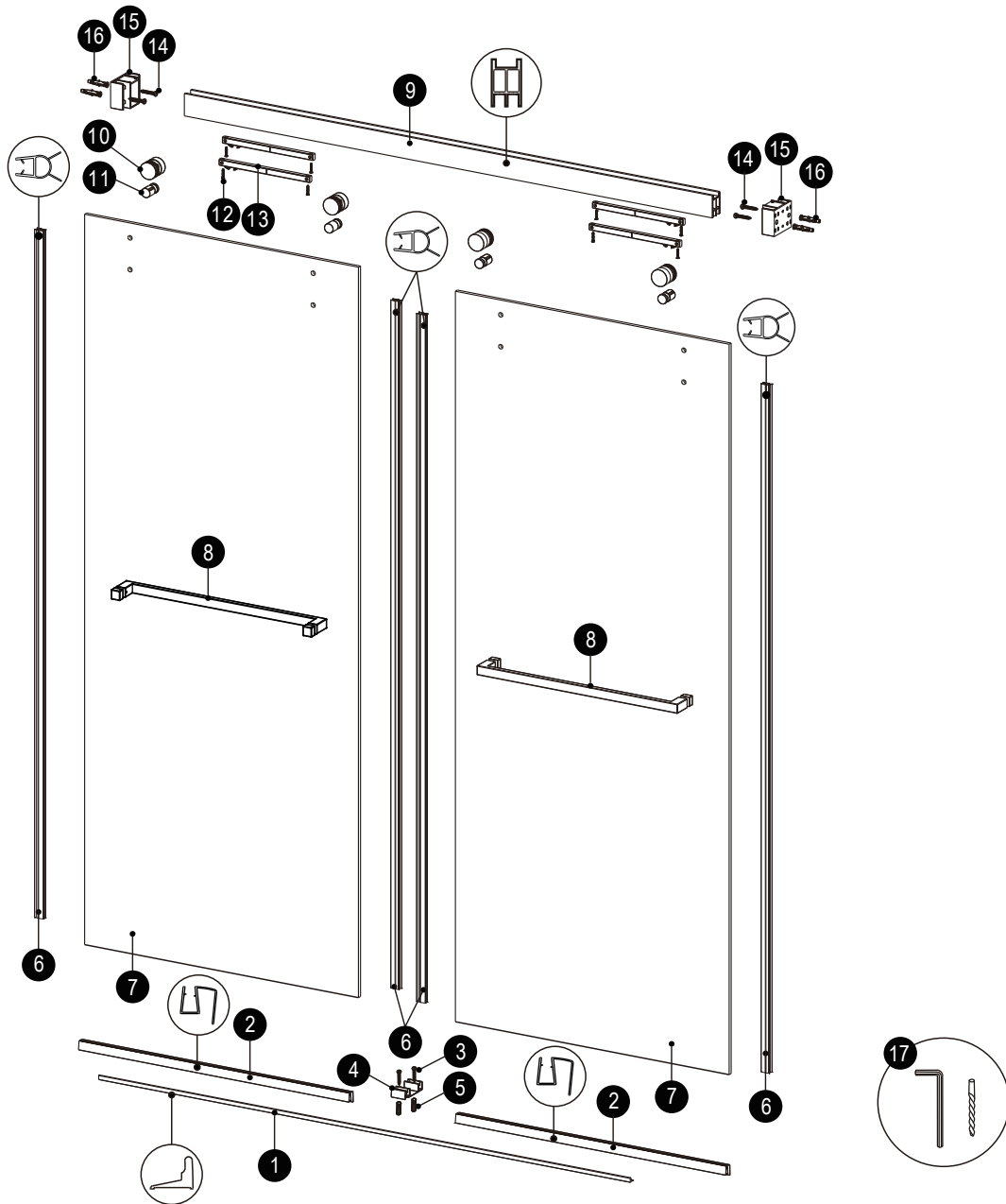


This product is heavy and may require two people to install.



# PARTS LIST

## FOR SHOWER/BATHTUB DOOR



### PACKING LIST

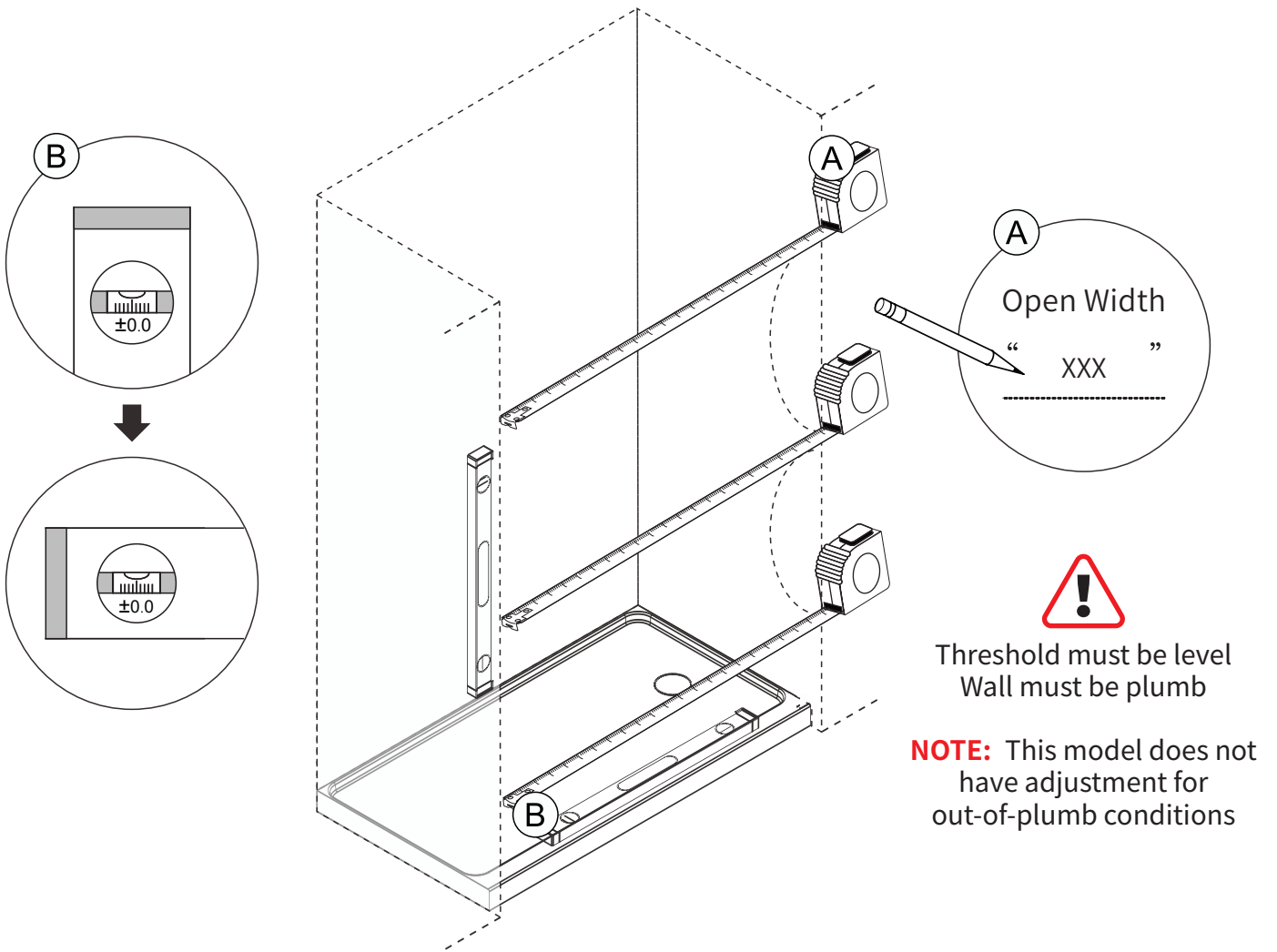


Keep small parts away from children

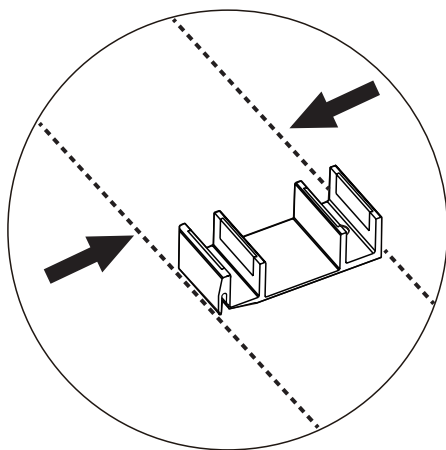
PART #	DESCRIPTION	Q' TY	PART #	DESCRIPTION	Q' TY
1	Aluminum Threshold	1pc	10	Rollers	4pcs
2	Gasket-A	2pcs	11	Anti-Lift Pins	4pcs
3	Countersunk Screws ST4x1"	2pcs	12	Round Head Screws ST3.5x1"	8pcs
4	Bottom Guide	1pc	13	Soft Closing	4pcs
5	Wall Plugs-A	2pcs	14	Countersunk Screws ST5x2"	4pcs
6	Gasket-B	4pcs	15	Wall Brackets	2pcs
7	Door Panels	2pcs	16	Wall Plugs-B	4pcs
8	Towel Bar	2pcs	17	Allen Wrenche	1pc
9	Rail	1pc		Drill Bit	1pc

# INSTALLATION STEPS

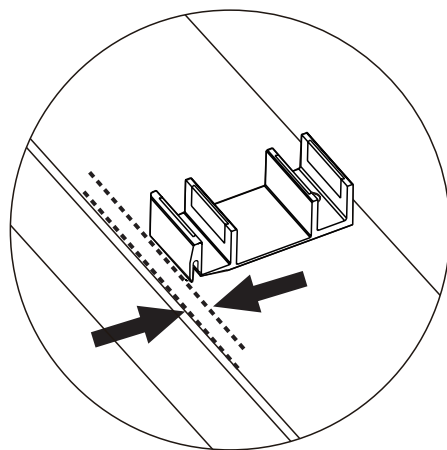
## STEP 1



minimum  
3 3/8"  
of flat threshold space

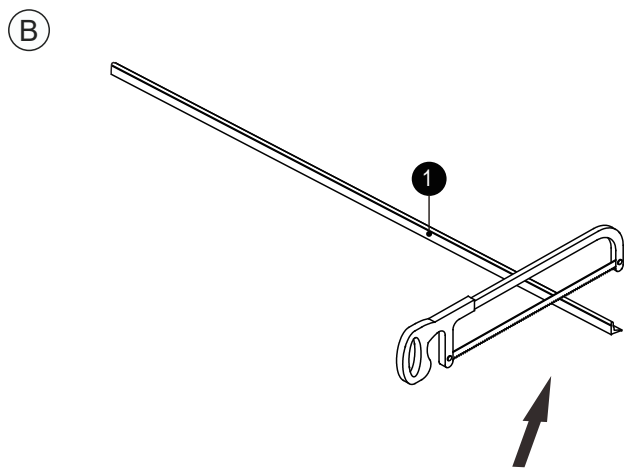
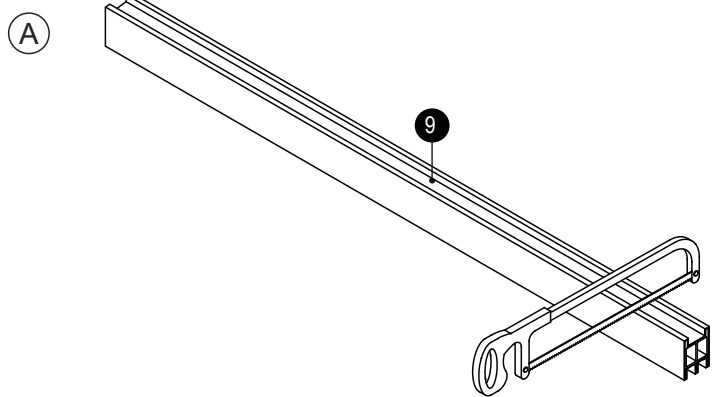
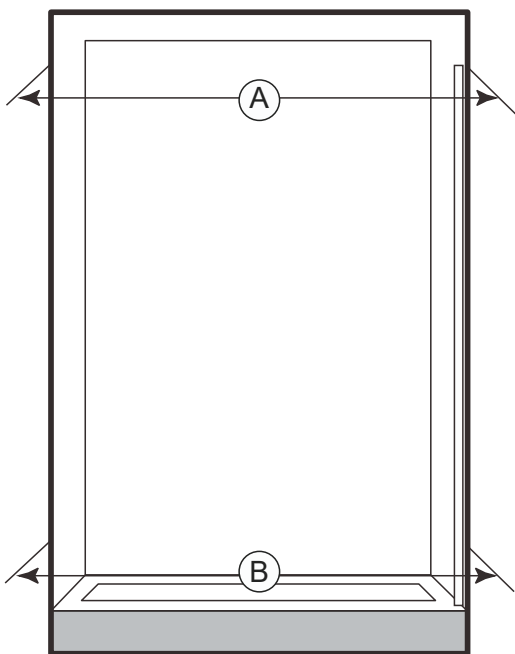


3/8" from front edge  
of the threshold if space enough



# INSTALLATION STEPS

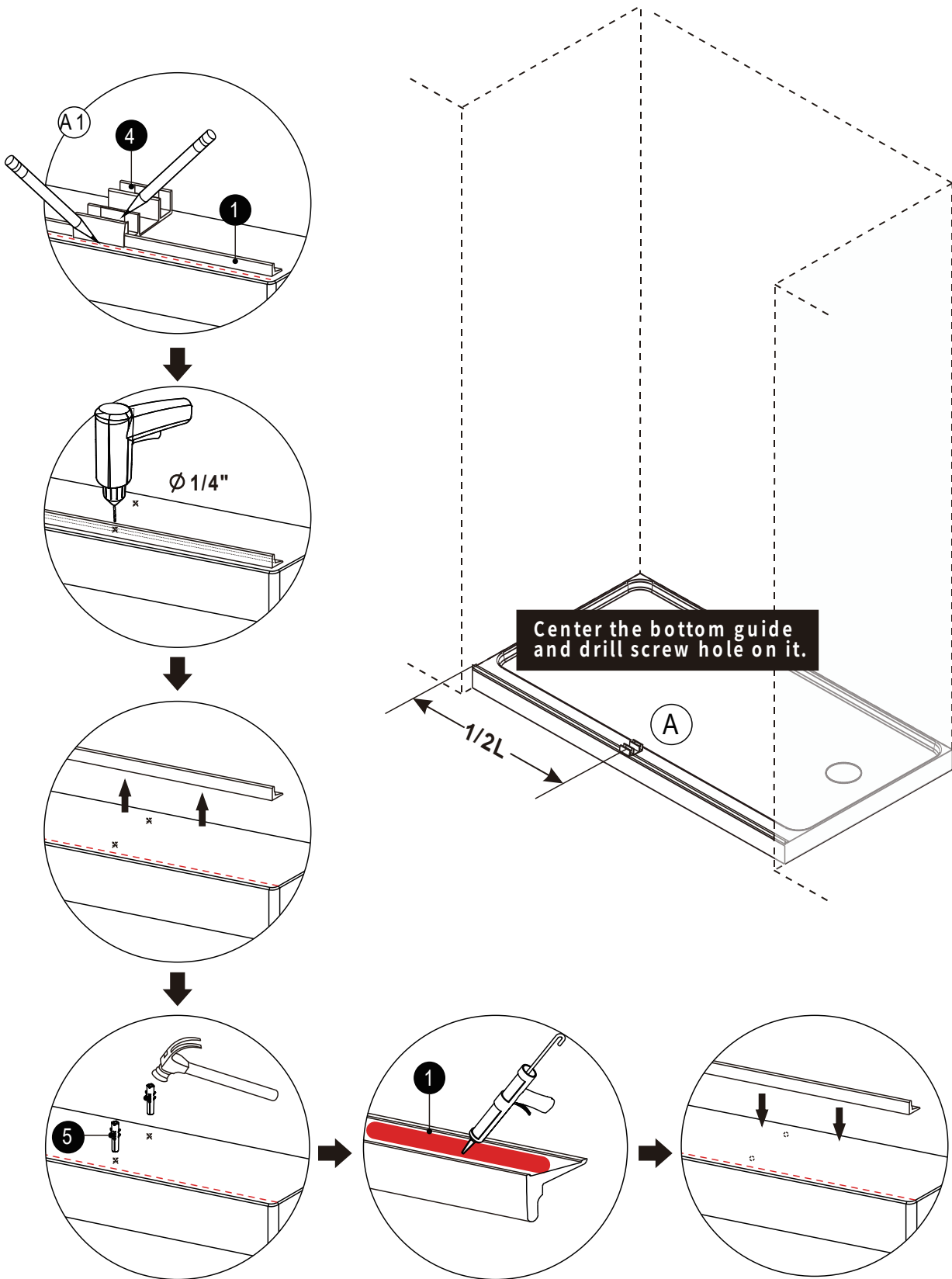
## STEP 2



Measure the drip rail with a tape measure. Cut the length according to installer's recommendation.

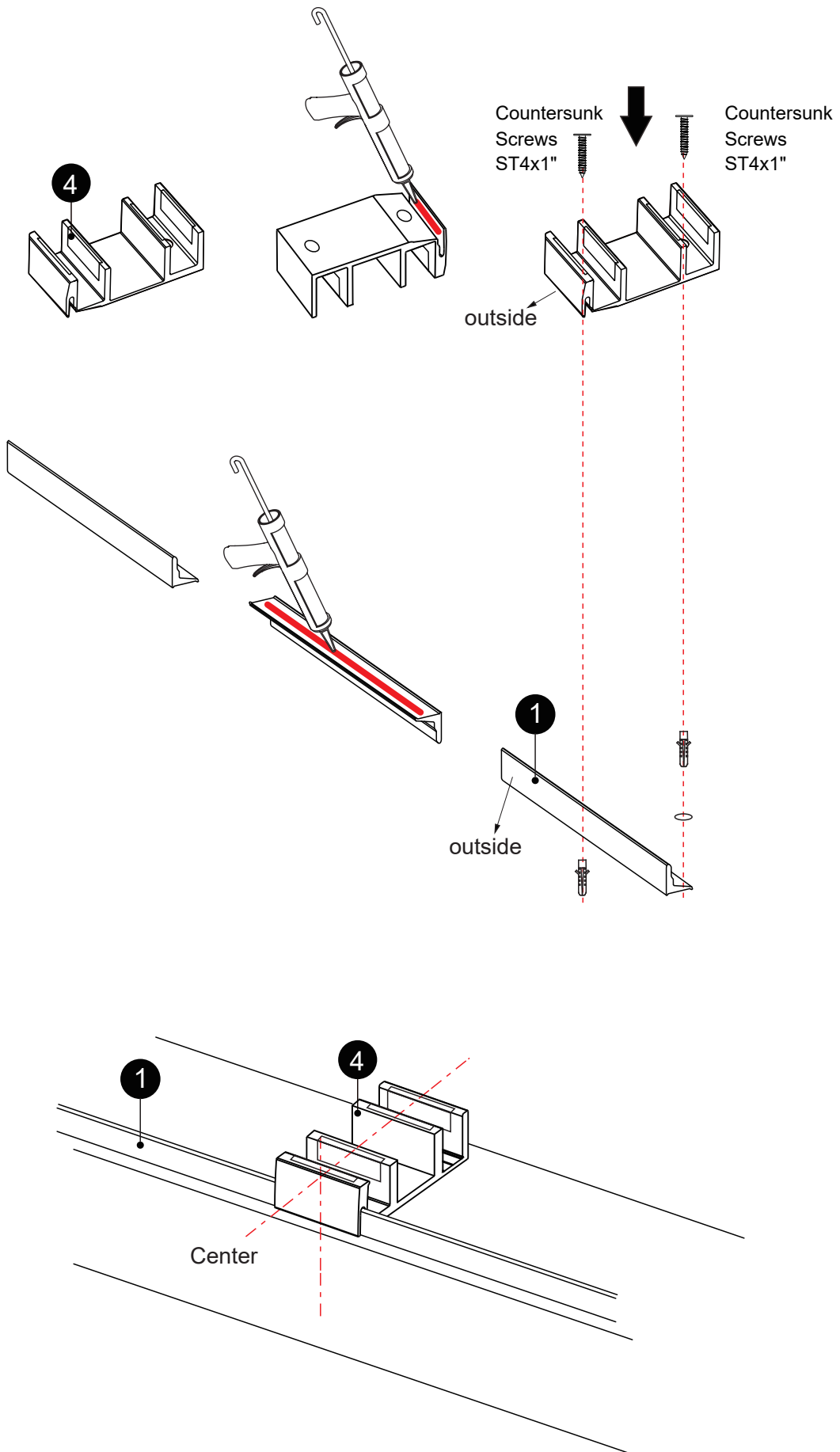
# INSTALLATION STEPS

## STEP 3A



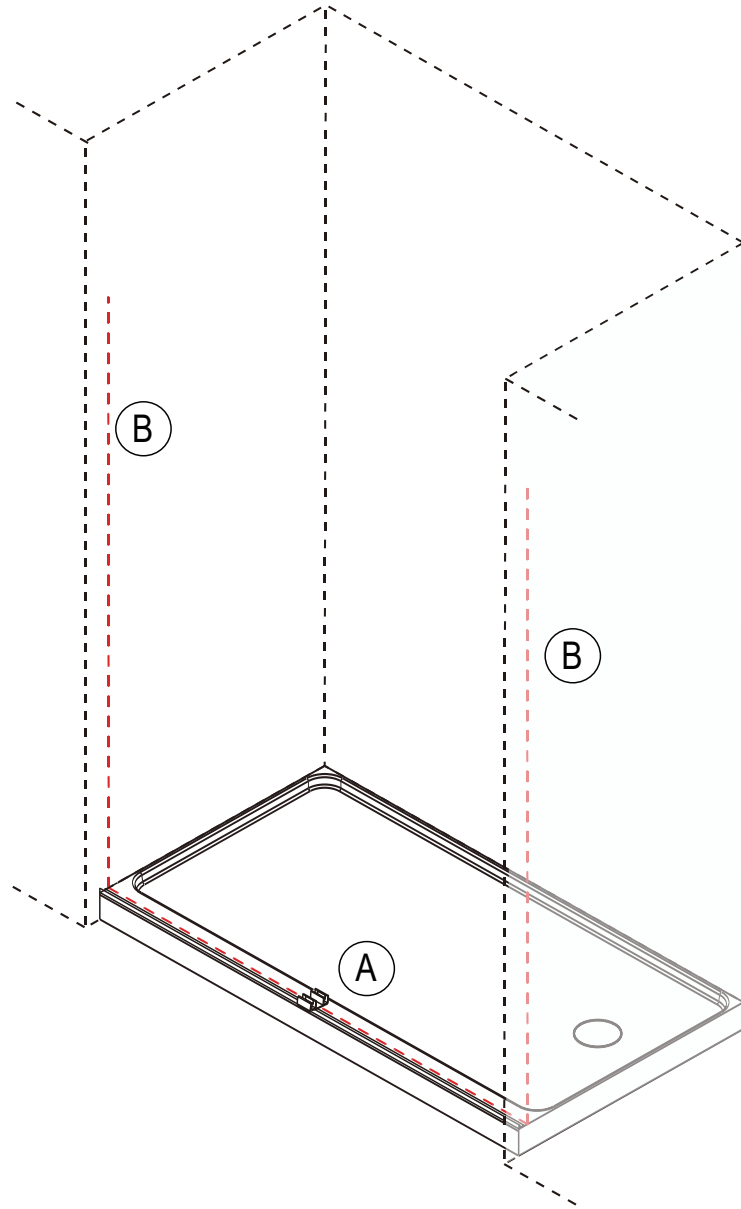
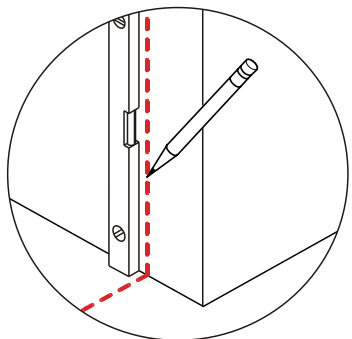
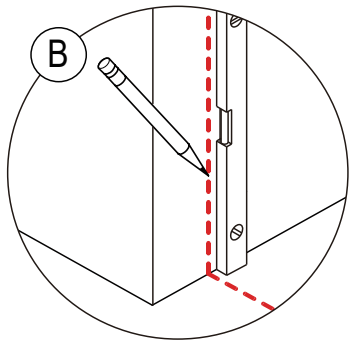
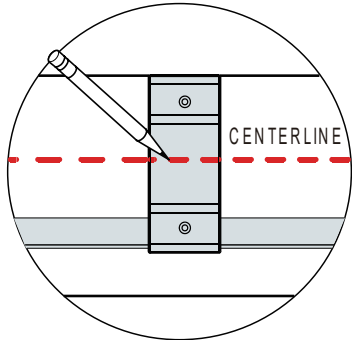
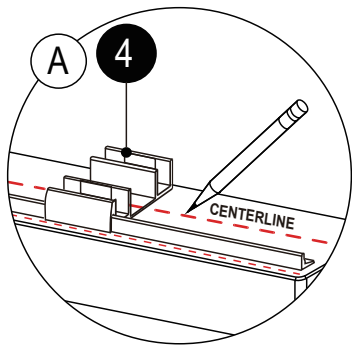
# INSTALLATION STEPS

## STEP 3B



# INSTALLATION STEPS

## STEP 4



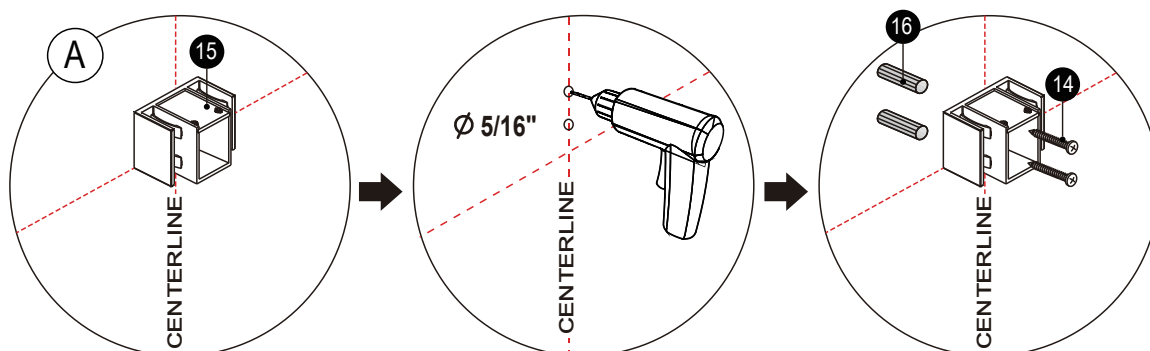
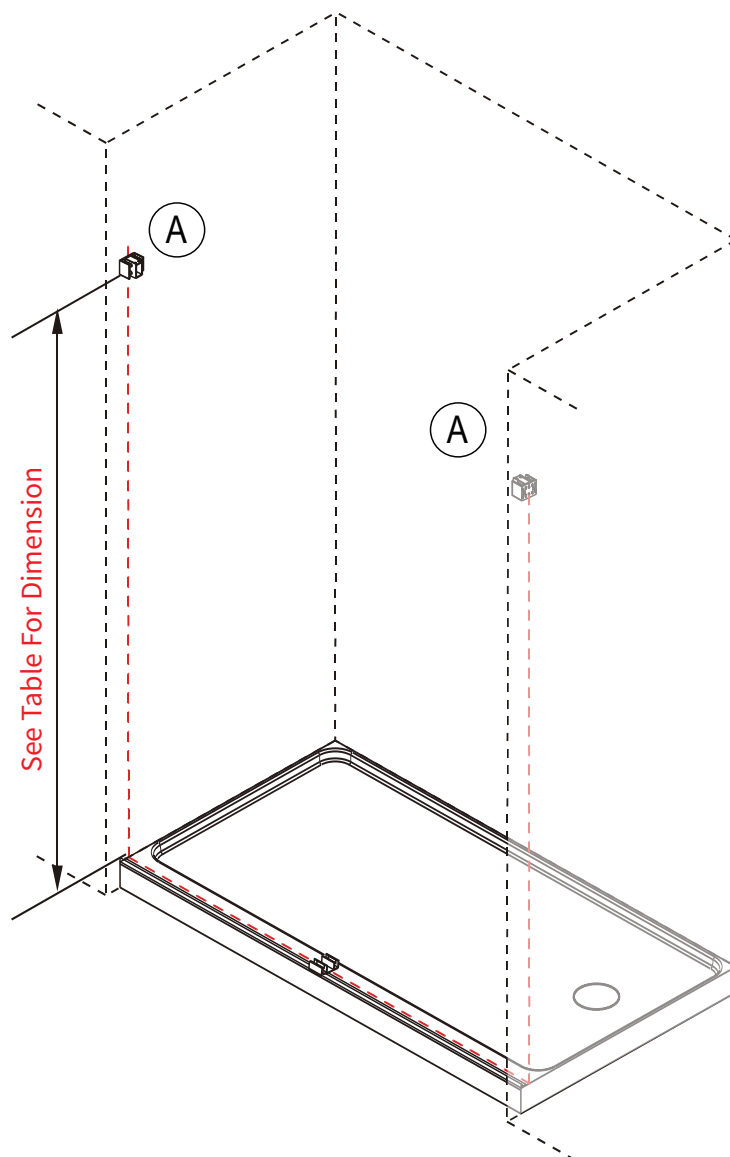


# INSTALLATION STEPS

## STEP 5

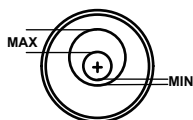
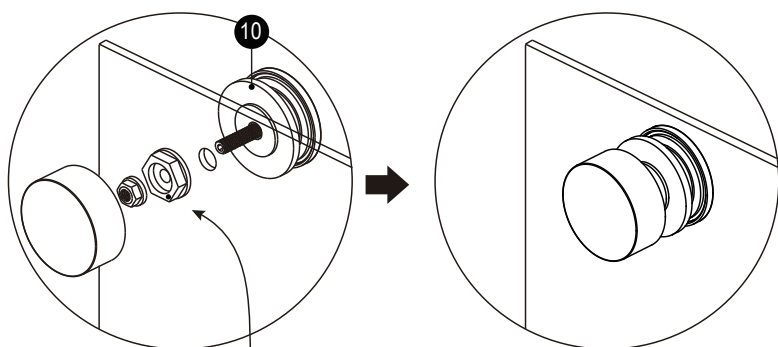
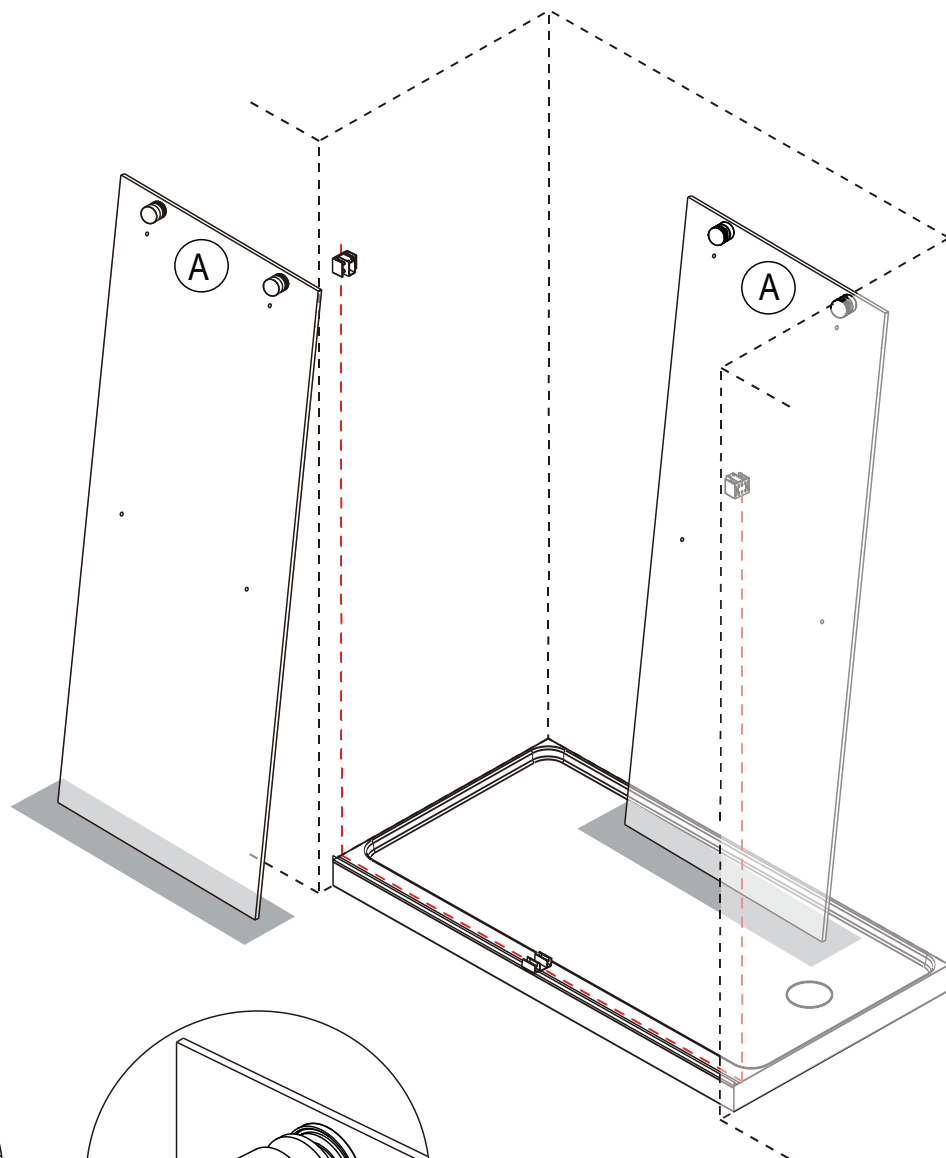
Table

Shower Height	Wall Bracket Bottom Line Height
76"	71-1/2"



# INSTALLATION STEPS

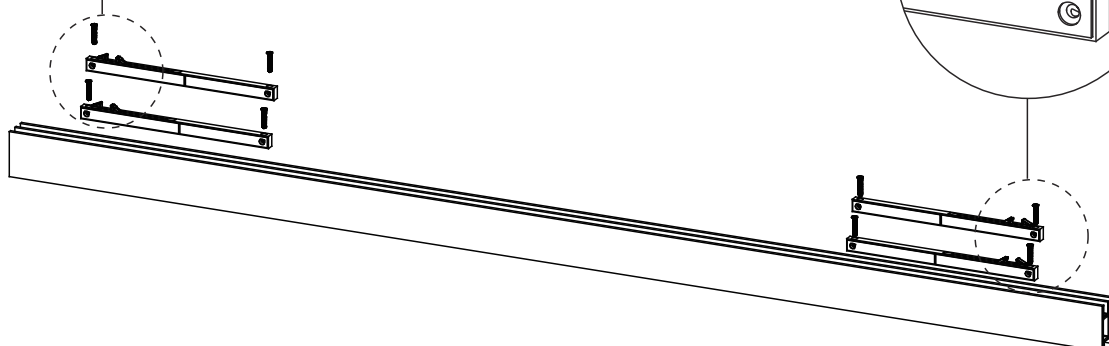
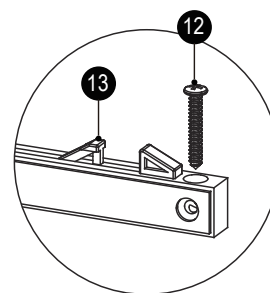
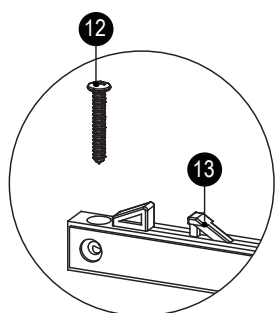
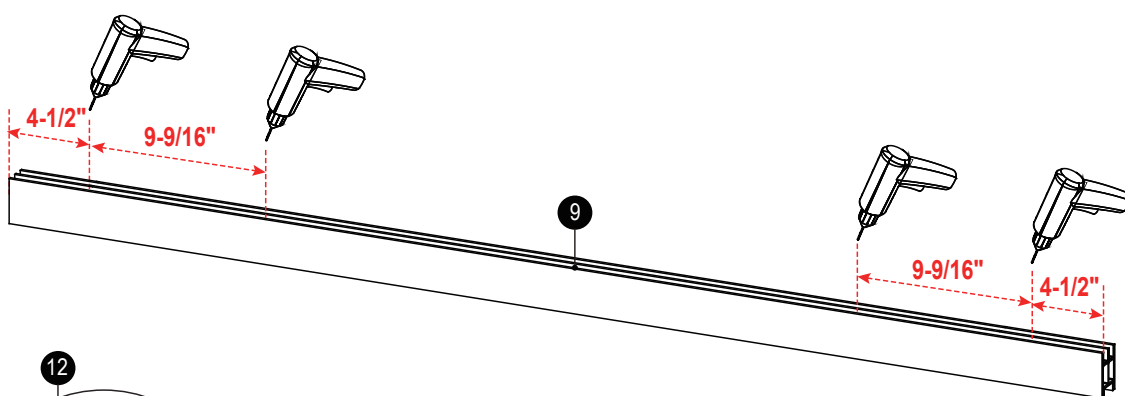
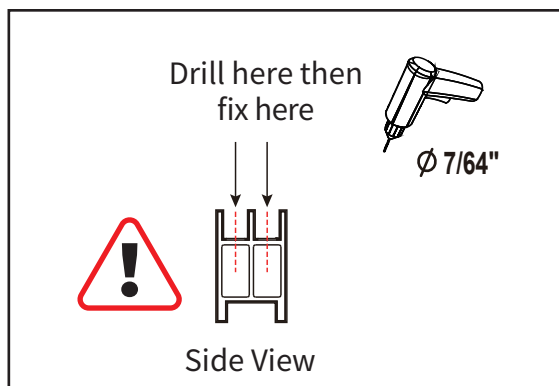
## STEP 6



Eccentric nut for roller adjustment.  
(Raises and lowers the roller.)  
Minimum spacing should be oriented  
towards the bottom as shown.  
Adjustments can be made after the  
door installation.

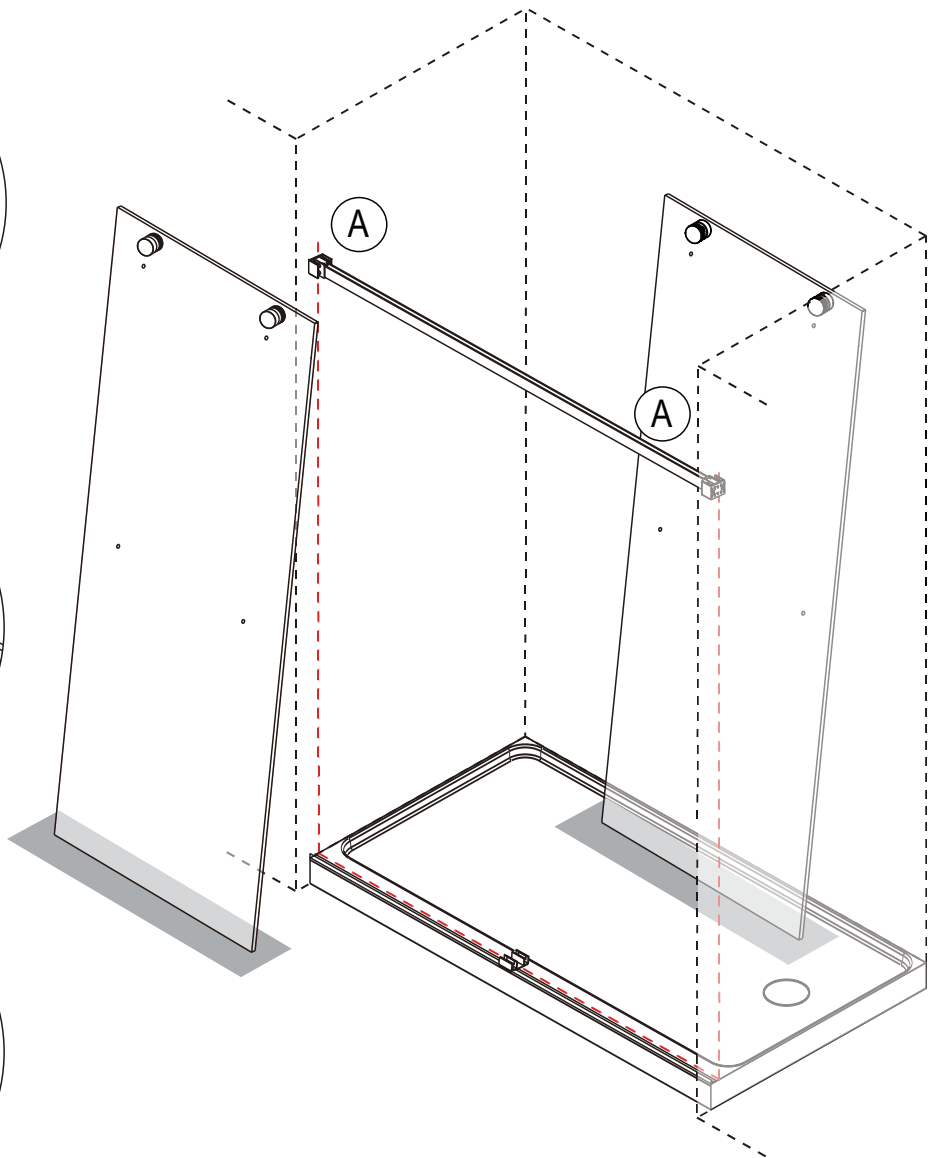
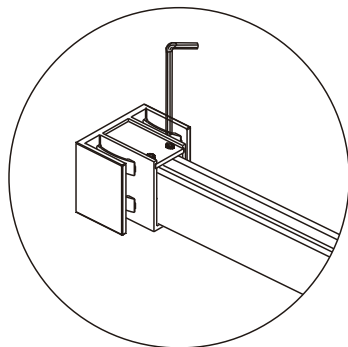
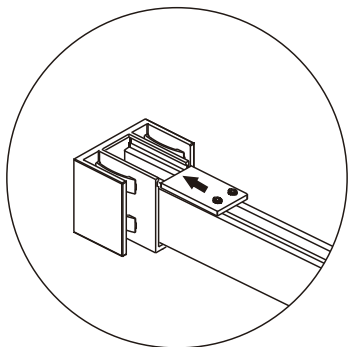
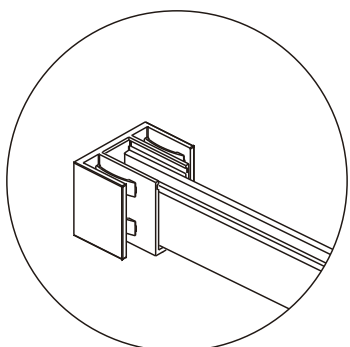
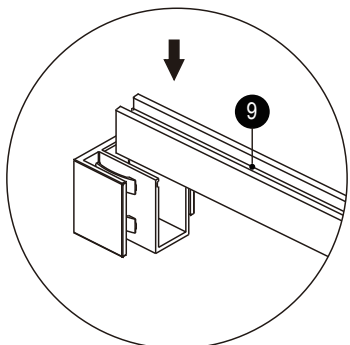
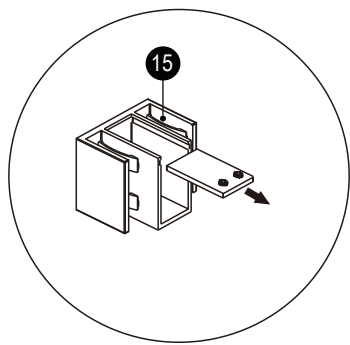
# INSTALLATION STEPS

## STEP 7A



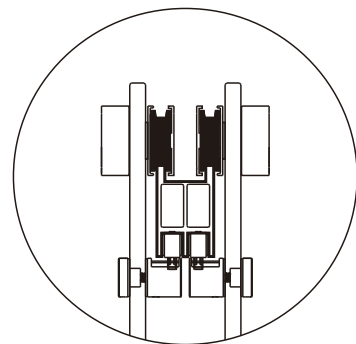
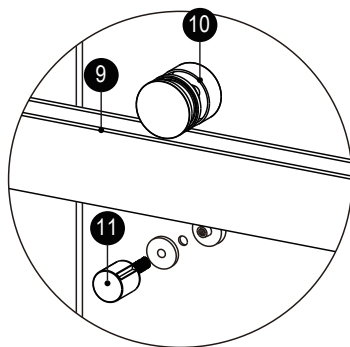
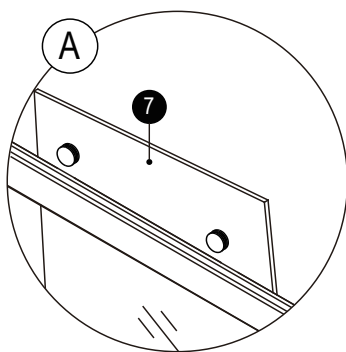
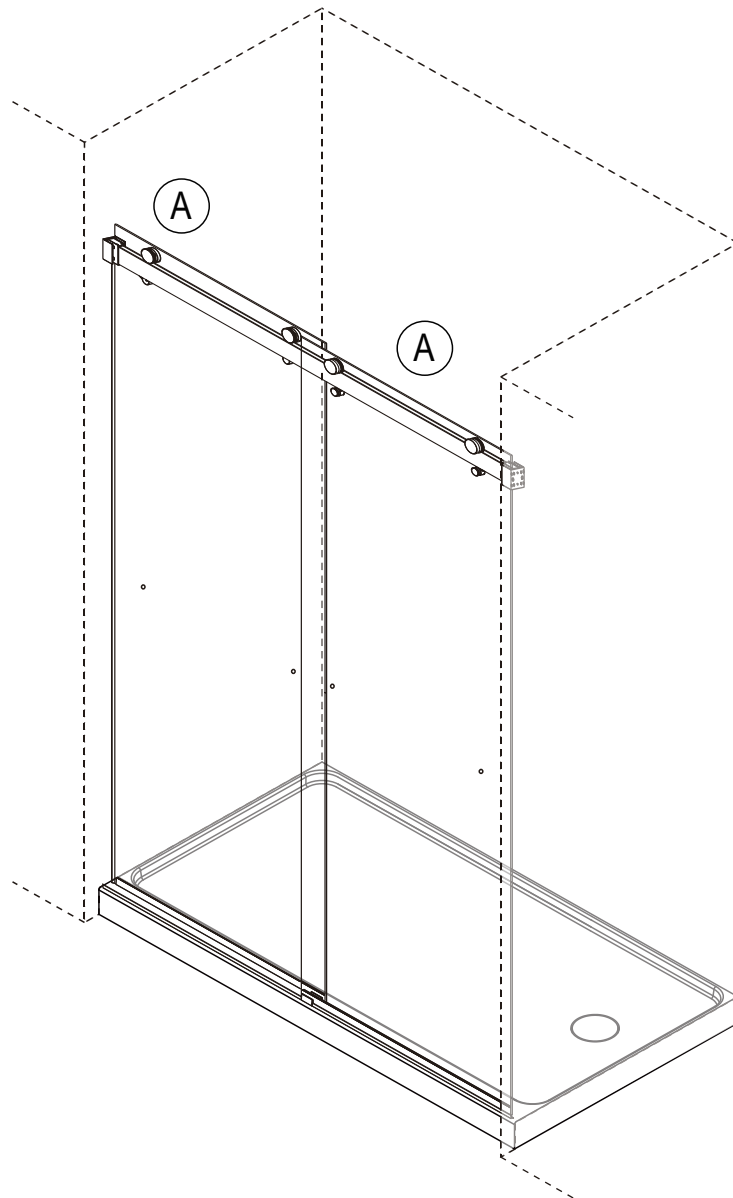
# INSTALLATION STEPS

## STEP 7B



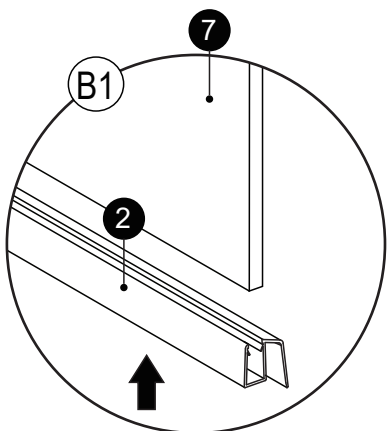
# INSTALLATION STEPS

## STEP 8A



# INSTALLATION STEPS

## STEP 8B

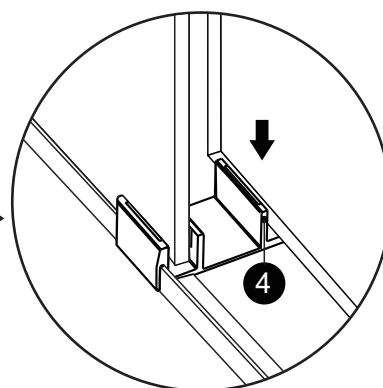
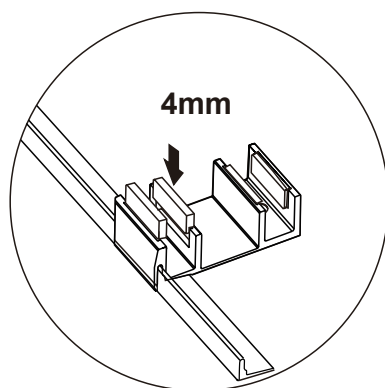
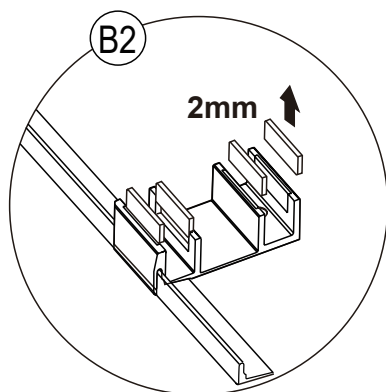
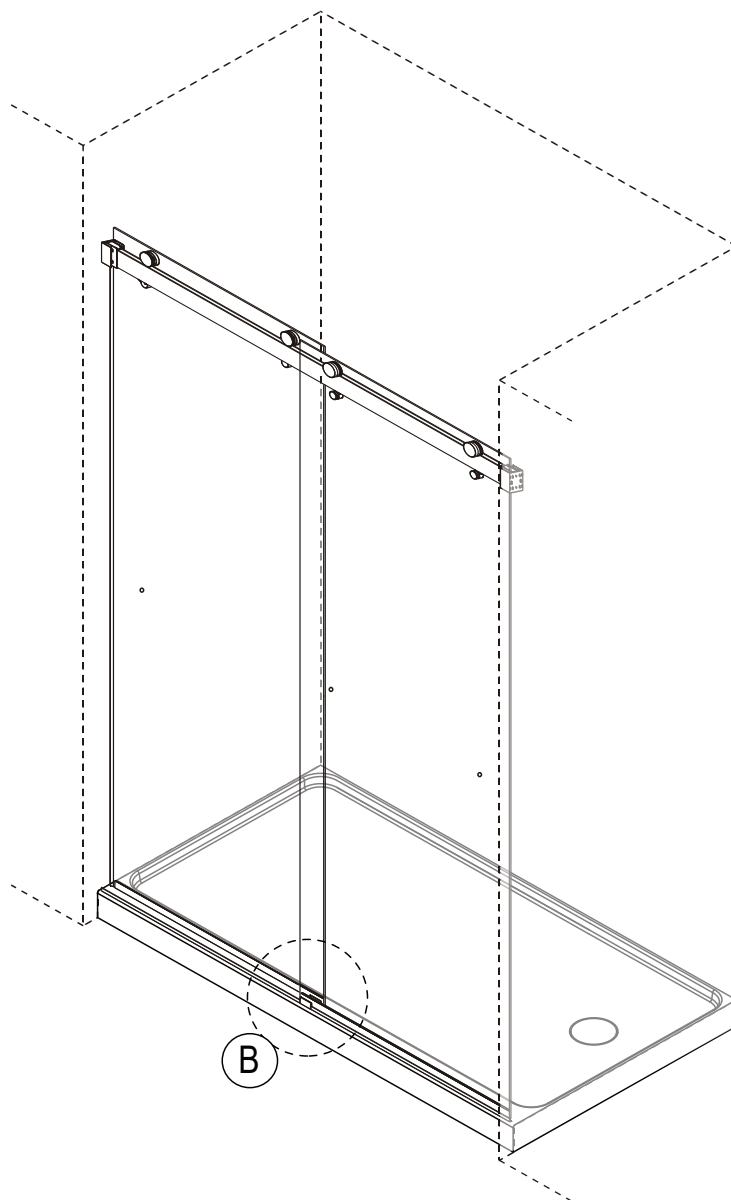


### REMARK:

B1. Refer to B1 for install with water deflectors on the bottom of glass panel.

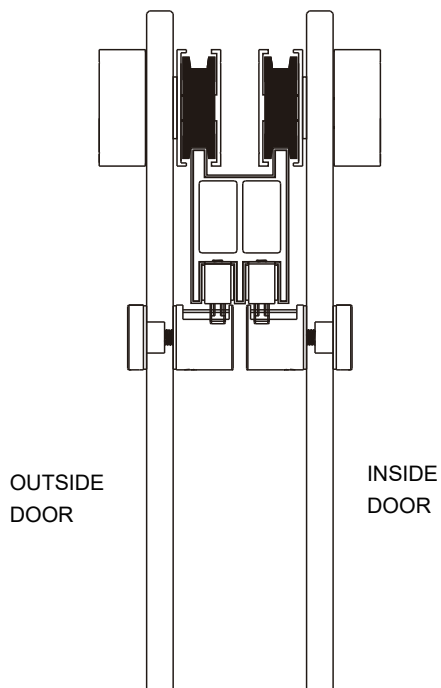
B2. Refer to B2 for install without water deflectors remove 2mm plastic piece and replace with 4mm plastic piece.

WARMLY NOTICE:  
Sliding without water deflectors is smoother.  
However, there will be a potential water leak.



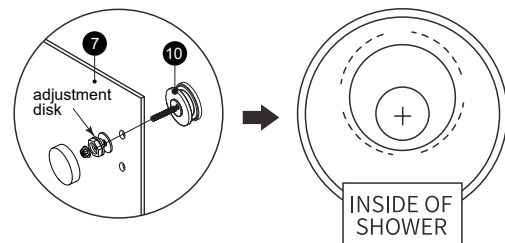
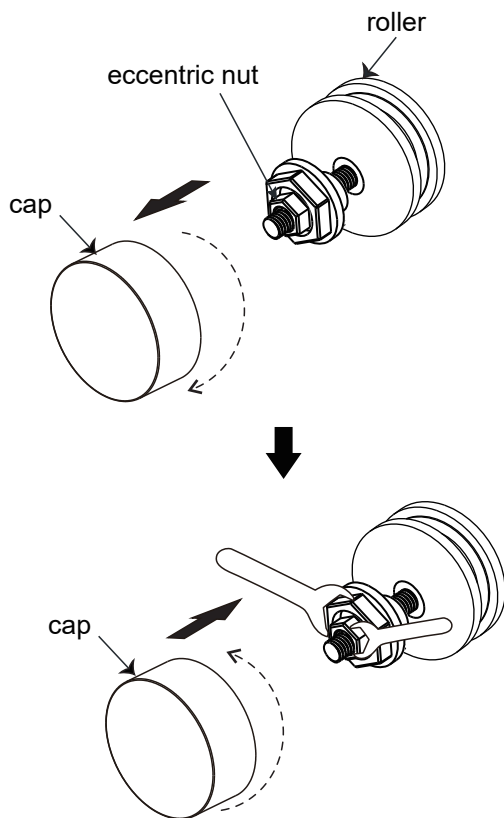
# INSTALLATION STEPS

## STEP 9



Carefully slide the door toward the wall and check the door is sliding smoothly.

Adjust if necessary using offset in rollers, so that the sliding door is parallel to the tray.

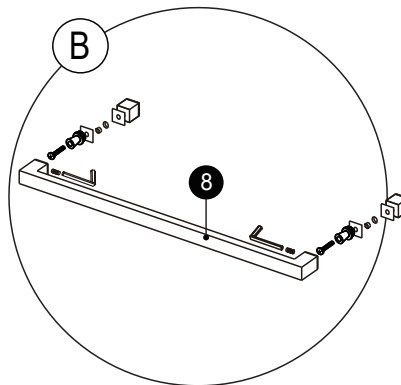
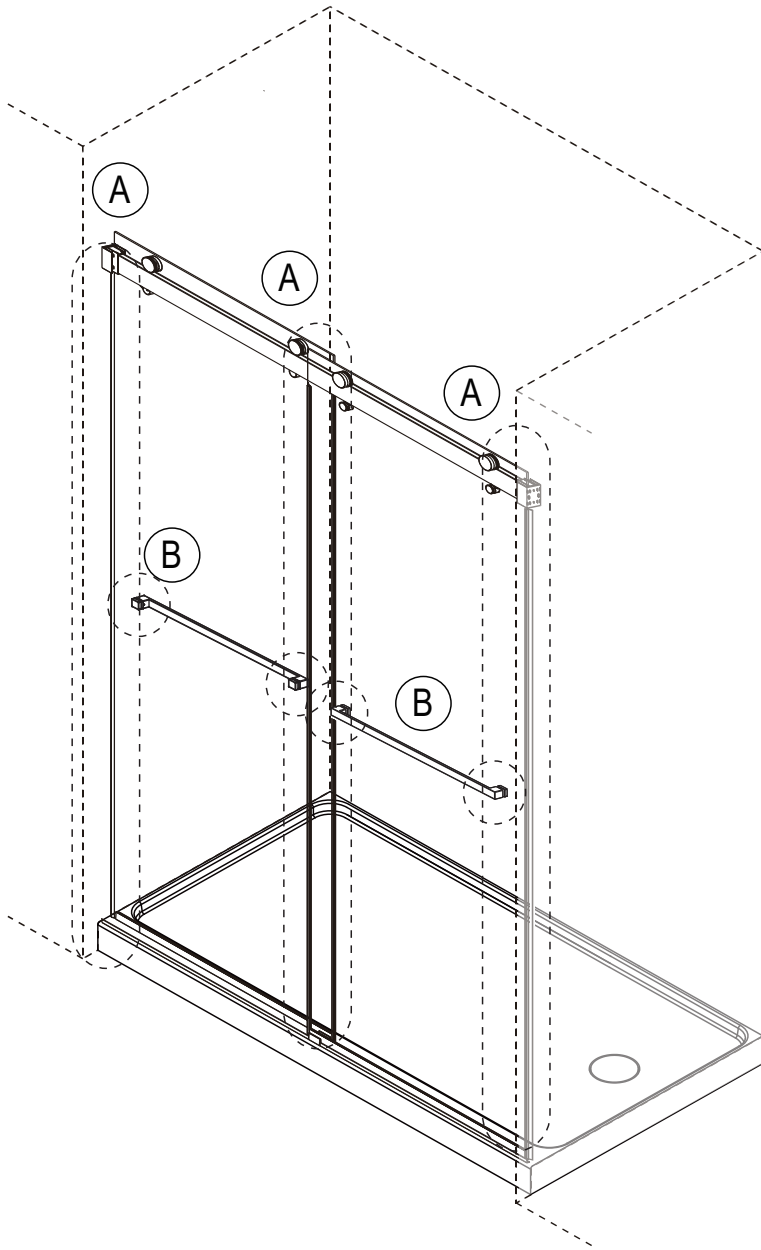
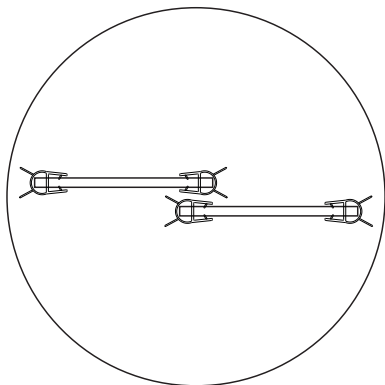
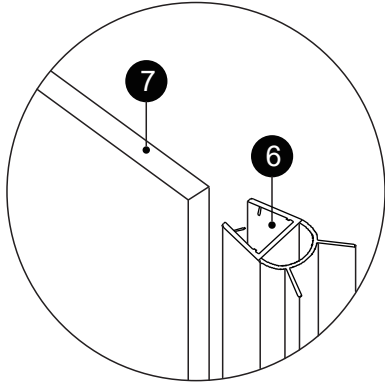
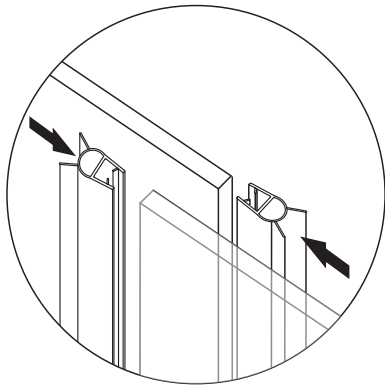
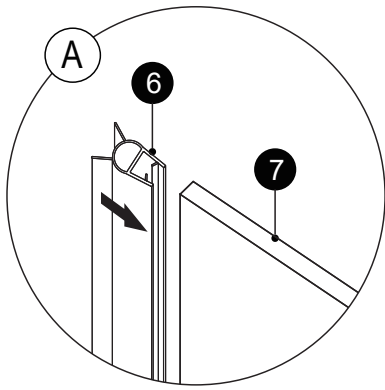


### HOW TO ADJUST

- Step 1 :** Remove cap from roller
- Step 2 :** Loosen center bolt with hex wrench
- Step 3 :** Rotate to adjust panel angle with hex wrench
- Step 4 :** Tighten center bolt

# INSTALLATION STEPS

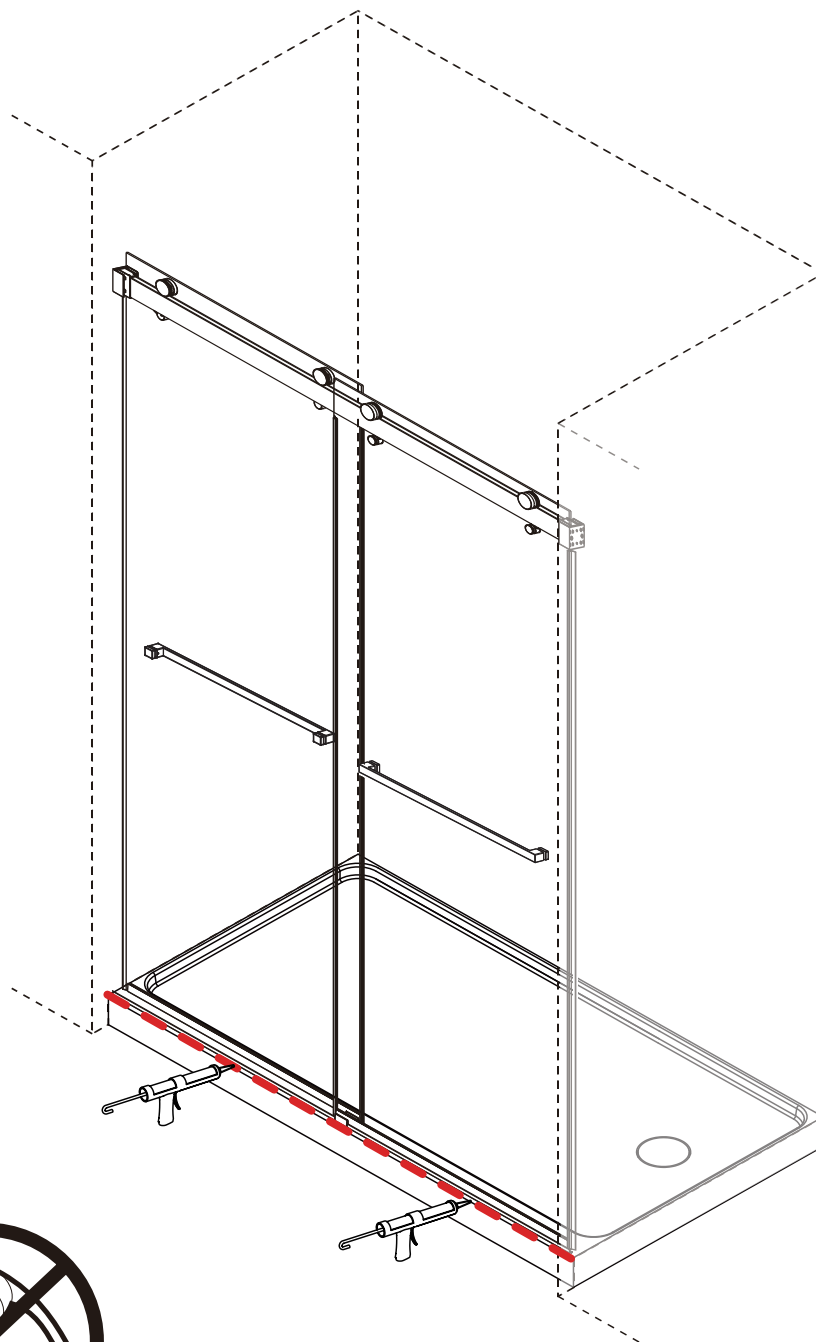
## STEP 10





# INSTALLATION STEPS

## STEP 11



**24** HOURS

Apply clear silicone caulking along the wall and threshold of the shower door inside and outside.

(make sure you ) wait 24hours before using the shower. Do not allow water to directly hit door.