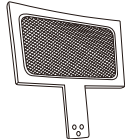











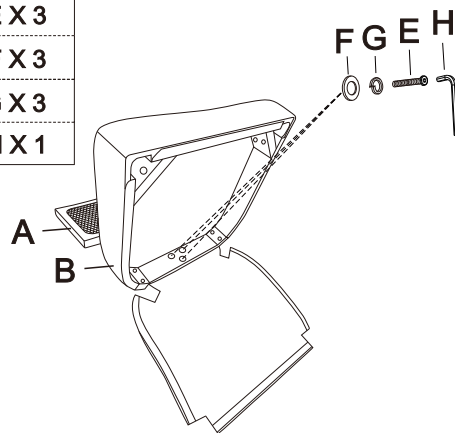
ASSEMBLY INSTRUCTIONS

*Notice : Take the legs out from the seat bottom before assembling.

A		1PC
B		1PC
C		2PCS
D		2PCS
E	 M8*50	7PCS
F		11PCS
G		11PCS
H		1PC
I		4PCS
J	 M8*60	4PCS

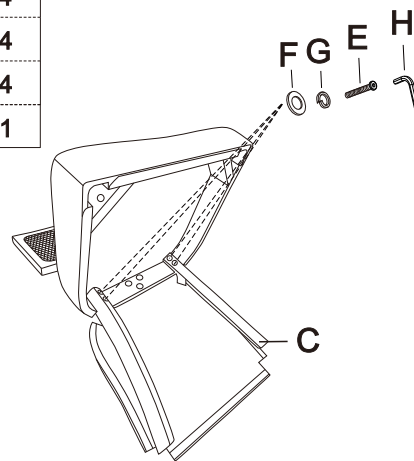
Step1 Connect Part A with Part B by E, G and F as the picture shows, and then tighten bolts firmly.

AX 1
BX 1
EX 3
FX 3
GX 3
HX 1



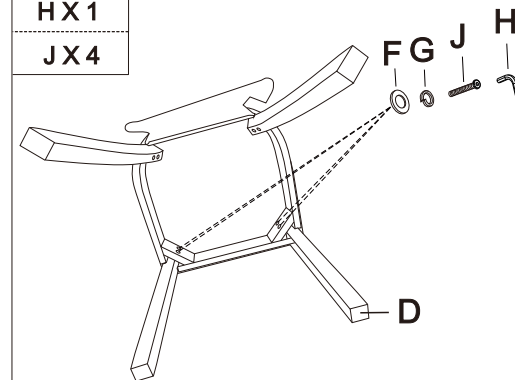
Step2 Connect Part C (Rear Leg) with Part B by E, G and F as the picture shows, and then tighten the bolts to 80% tightness.

CX 2
EX 4
FX 4
GX 4
HX 1



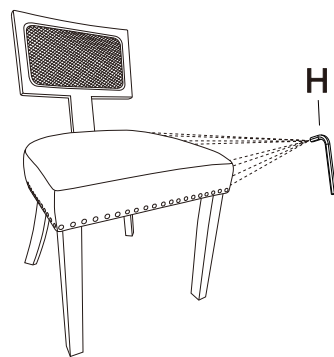
Step3 Insert Part D (Front Leg) into the seat hole, put J, G and F as the picture shows, and then tighten the bolts to 80% tightness.

DX 2
FX 4
GX 4
HX 1
JX 4



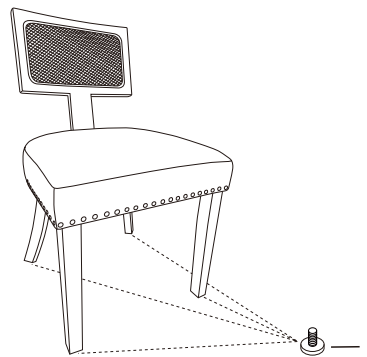
Step4 Lay the chair flat and wiggle it to make the screws in place. Then tighten all the bolts to 100%.

HX 1



Step5 Screw the Part I (Adjustable Footpads) under the legs.

IX 4



Attention:

1. Please check the manual carefully and make sure you have received all the parts.
2. If any parts missing, broken, damaged or worn, please let us know the letter of the parts you need. Some photos will be highly appreciated. We will reply and offer you a solution soon.