



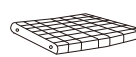






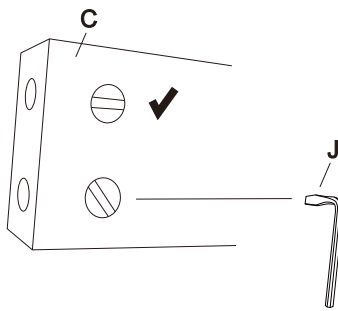


# ASSEMBLY INSTRUCTIONS

<b>A</b>		1PC
<b>B</b>		1PC
<b>C</b>		2PCS
<b>D</b>		1PC
<b>E</b>		1PC
<b>F</b>	 M8*60	4PCS
<b>G</b>	 M8*40	8PCS
<b>H</b>		1PC
<b>I</b>		4PCS
<b>J</b>		1PC
<b>K</b>		4PCS

**Step1**

CX2  
JX1

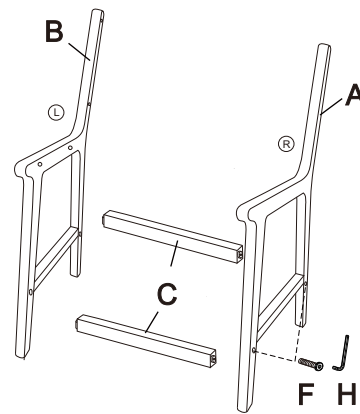


Before assembling, pls check if the screw holes of part [ C ] are in the right position. If not, pls use part [ J ] to adjust the screw holes to right position.

**Step2**

Tighten the screws to 80% tightness.

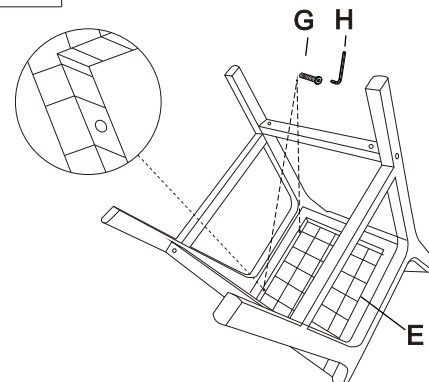
AX1  
BX1  
CX2  
FX4  
HX1



**Step3**

Tighten the screws to 80% tightness.

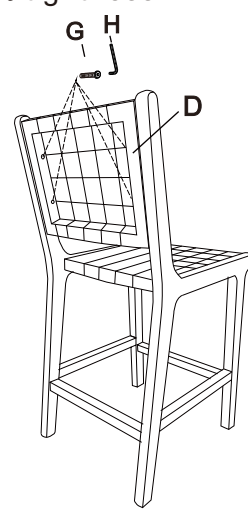
EX1  
GX4  
HX1



**Step4**

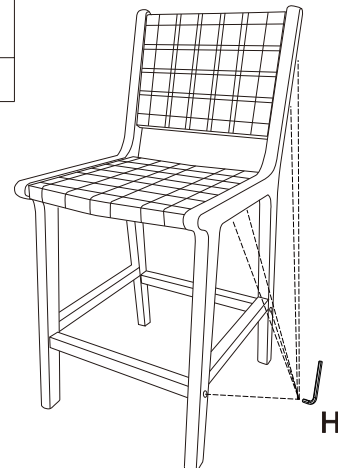
Tighten the screws to 80% tightness.

DX1  
GX4  
HX1



**Step5**

HX1

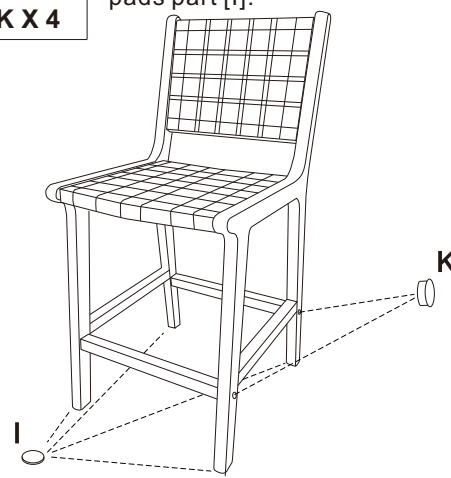


Lay the chair flat and wiggle the chair to make the screws in place. Ensure the chair is level on the floor. Then tighten all the screws to 100%.

**Step6**

Max Weight Capacity 330LBS.  
Cover all leg screw holes with part [K]; stick the anti-slip foot pads part [I].

IX4  
KX4



## ATTENTION:

- Please check the manual carefully and make sure you have received all the parts.
- If there are any missing or damaged, please let us know the letter of the parts you need. Some photos will be highly appreciated. We will reply and offer you a solution soon.