

ASSEMBLY INSTRUCTION

Item No: B24S-1320

Description: UPH COUNTER DINING CHAIR



IMPORTANT NOTE :

Place all wooden parts on a clean and smooth surface such as a rug or carpet to avoid the parts from being scratched.

Check to be sure that you have all parts and hardware.

Remove all wrapping materials, including staples & packing straps before you start to assemble.

Do not tighten all screws/bolts until all completely assembled.

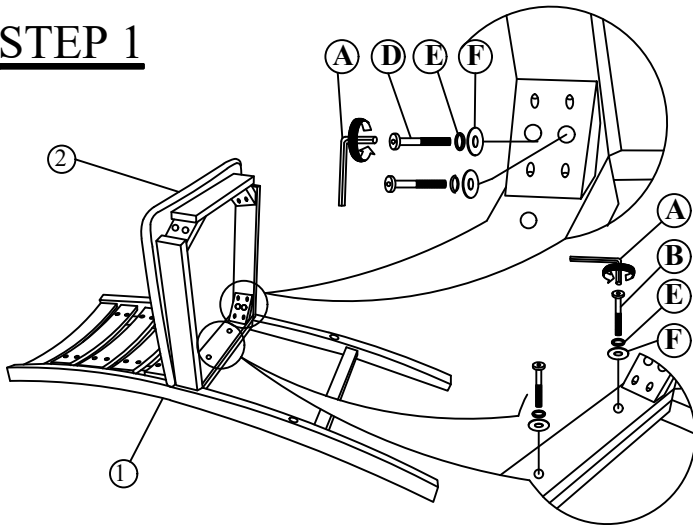
Keep all hardware parts out of reach of children.

▲ PARTS FOR EACH CHAIR

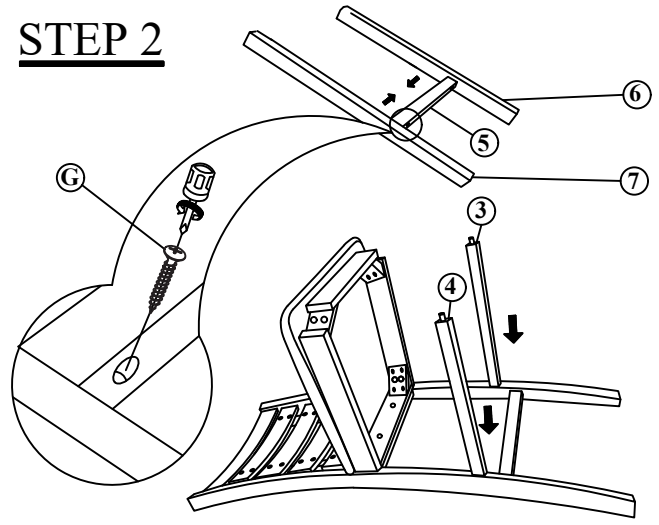
PARTS LIST		
NO.	COMPONENT	QTY.
1	CHAIR BACK	1 PCS
2	SEAT CUSHION WITH FRAME	1 PCS
3	LSF STRETCHER -	1 PCS
4	RSF STRETCHER -	1 PCS
5	FRONT STRETCHER	1 PCS
6	LSF FRONT LEG -	1 PCS
7	RSF FRONT LEG -	1 PCS

HARDWARE LIST		
NO.	DESCRIPTION	QTY.
A	M4 x 100MM ALLEN KEY	1 PCS
B	M6 x 35MM JCBC BOLT	2 PCS
C	M6 x 60MM JCBC BOLT	4 PCS
D	M6 x 80MM JCBC BOLT	4 PCS
E	M6 x 13MM SPRING WASHER	10 PCS
F	M6 x 19MM FLAT WASHER	10 PCS
G	M4 x 32MM PAN HEAD SCREW	6 PCS

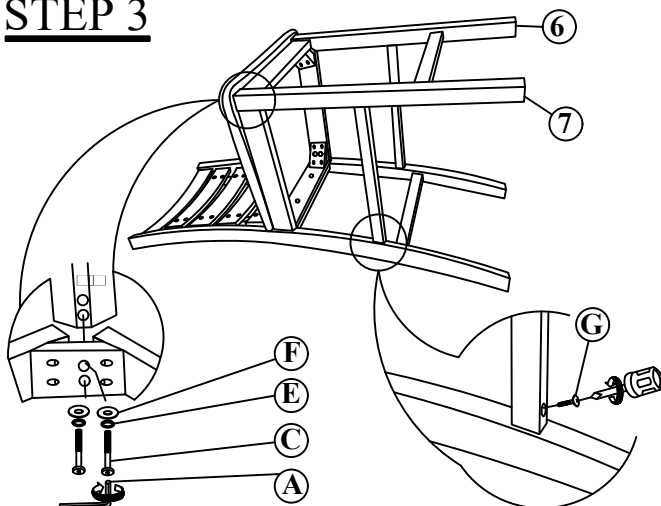
STEP 1



STEP 2



STEP 3



STEP 4

