

INSTRUCTIONS D ASSEMBLAGE

HD8002

Ax1



Ex4



M8*60MM

Bx1



Fx1



M8

Cx2



legs

Gx5



M8*55MM

Dx9

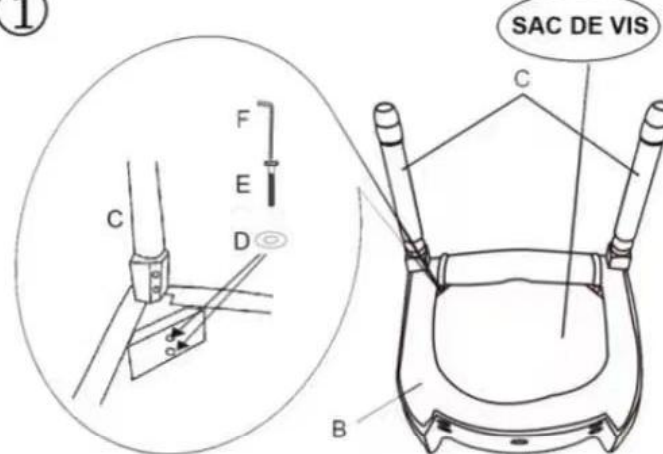


M8x22x2mm

Hx4

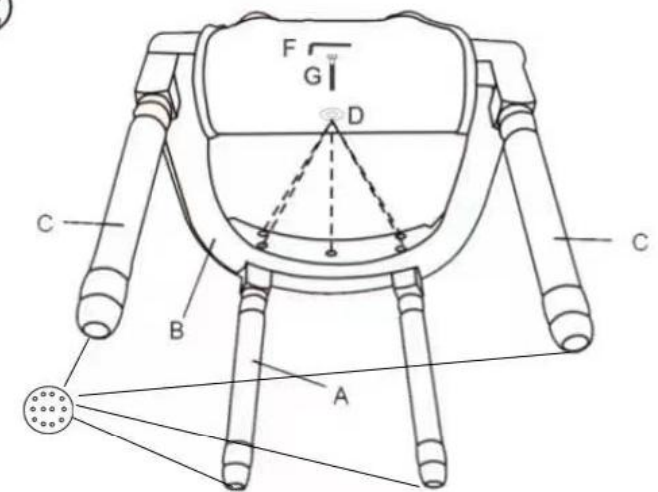


①



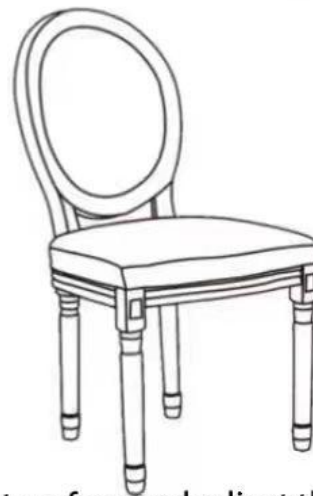
Install the screws to 80% level first

②



Install the screws to 80% level first

③



Place on a flat surface and adjust the chair's smoothness. Turn the screw to 100%