

## GET TO KNOW YOUR PROJECT PLATFORM!

**TYPE II MEDIUM DUTY RATED  
225LBS/102KG WORKING LOAD**



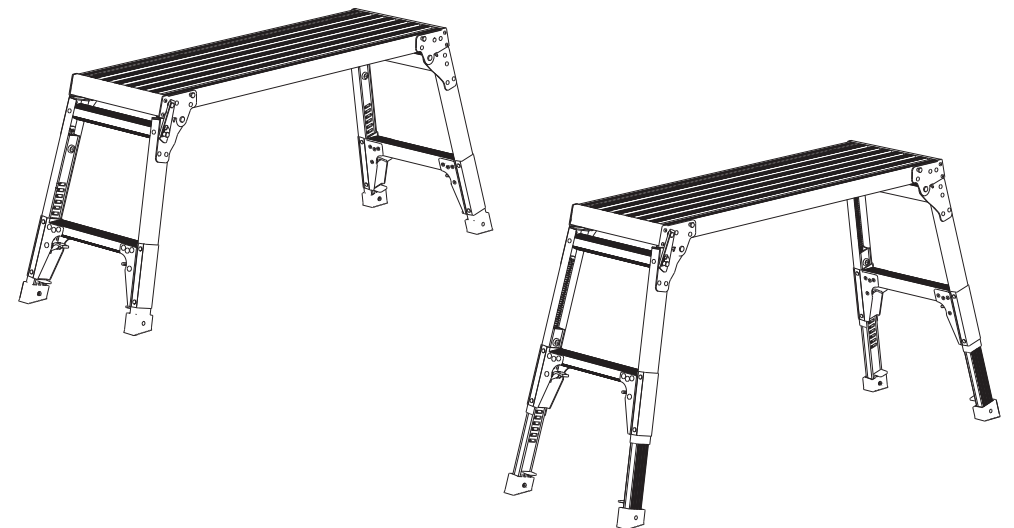
MODEL#	MATERIAL	DISCRIPTION	MAX Highest Standing Level	Platform Length	Platform Width
99301-001	Aluminium	Working Platform	2' 3" [0.7m]	3' 3" [1.0m]	12" [0.3m]

Telescopic  
Leg

# PROJECT PLATFORM

## USER INSTRUCTIONS

Congratulations on your purchase of the **PROJECT PLATFORM**. These instructions, along with the safety labels on the stepstool, will help you get the most out of your **PROJECT PLATFORM** by learning how to use it safely. **Please do not ignore the instructions study them!** Your safety and satisfaction is most important to us.



# PROJECT PLATFORM INSTRUCTIONS

## Project Platform Opening Method

- 

When the work platform is in the stowed position.
- 

Rotate the legs on both sides of the work platform outward to the maximum position.
- 

Finally, lock the locks at both ends of the working platform.

The lock catch is locked on the lock pin

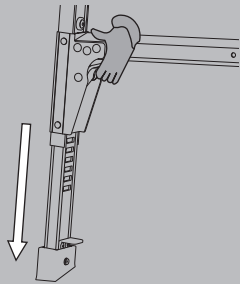
## Adjustment method for telescopic feet

### < WHEN STRETCHING >

Lift the main body slightly to keep the end of the pillar away from the ground.

Adjust the length of the telescopic leg while pulling up the operating lever.

If the handle is removed from the operating lever, the locking device will bite in and the telescopic foot will not retract.

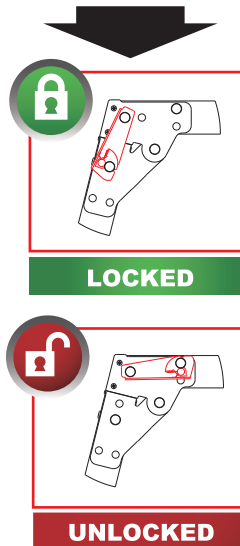
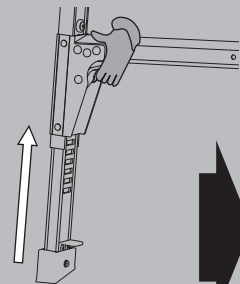


### < WHEN CONTRACTING >

Lift the main body so that the end of the pillar is slightly away from the ground.

Adjust the length of the telescopic leg while pulling up the operating lever.

In this state, retract the telescopic leg and release the hand from the operating lever.



**WARNING:**  
Before using the platform, check that the latches on both sides are fully locked!



## FOR YOUR SAFETY, READ CAREFULLY!

WARNING: FAILURE TO COMPLY WITH THESE INSTRUCTIONS  
MAY RESULT IN SERIOUS INJURY.

### SPECIAL PRECAUTIONS

1. Read and understand all instructions and warnings before use.
2. Inspect before use. Do not use if damaged. If any parts are missing, do not use.
3. Examine thoroughly to make sure unit is set up properly.
4. Do not use any components not supplied or approved by manufacturer.
5. Keep fingers clear when opening and closing.

### SET UP

1. Rotate legs into position, then lock hinges. See hinge operation label located near each locking hinge.
2. Place work platform on firm level ground. Do not use on slippery surface.
3. Make sure that the installation and use does not violate any federal, state or local codes.
4. Never place anything under or attach anything to unit to gain height or to adjust for uneven surfaces.

### USE

1. **DANGER! Metal Conducts Electricity.** Never use near electrical current.
2. Use extra caution near operating machinery.
3. Acids (such as muriatic or hydrochloric) are corrosive to aluminum and can seriously affect strength. Do not expose unit to corrosive substances.
4. Product designed to support the weight of one person and material. Maximum weight not to exceed duty rating (see other labels).

### MAINTENANCE

1. Keep platform and legs free from debris and paint build up. Do not allow tools and materials to accumulate on platform.
2. Keep all pivoting connections free from foreign substances. Do not abuse by dropping or impacting.
4. Secure from movement to avoid damage while transporting.
5. Lubricate hinge mechanism regularly.

### ACCESS

1. Face platform when climbing up or down steps.
2. Always keep body centered between side rails.
3. Never climb platform from the side unless secured from sideways motion and tipping.