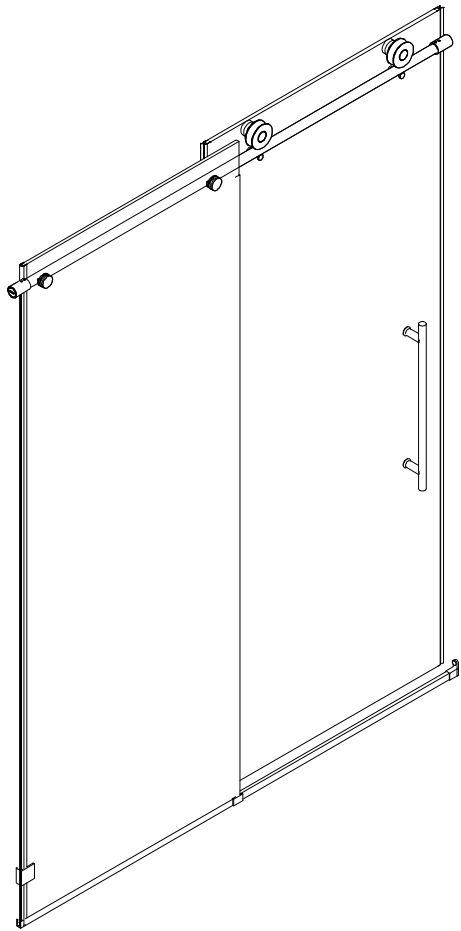
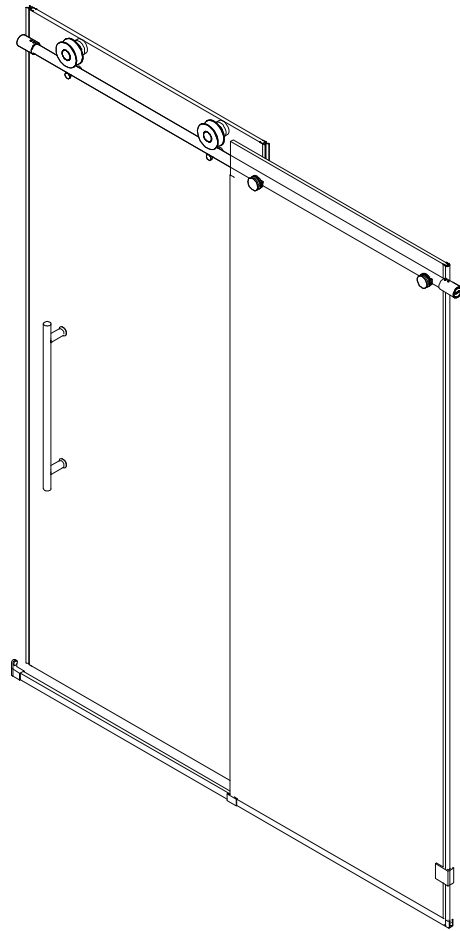


Y001-009 Installation Instruction

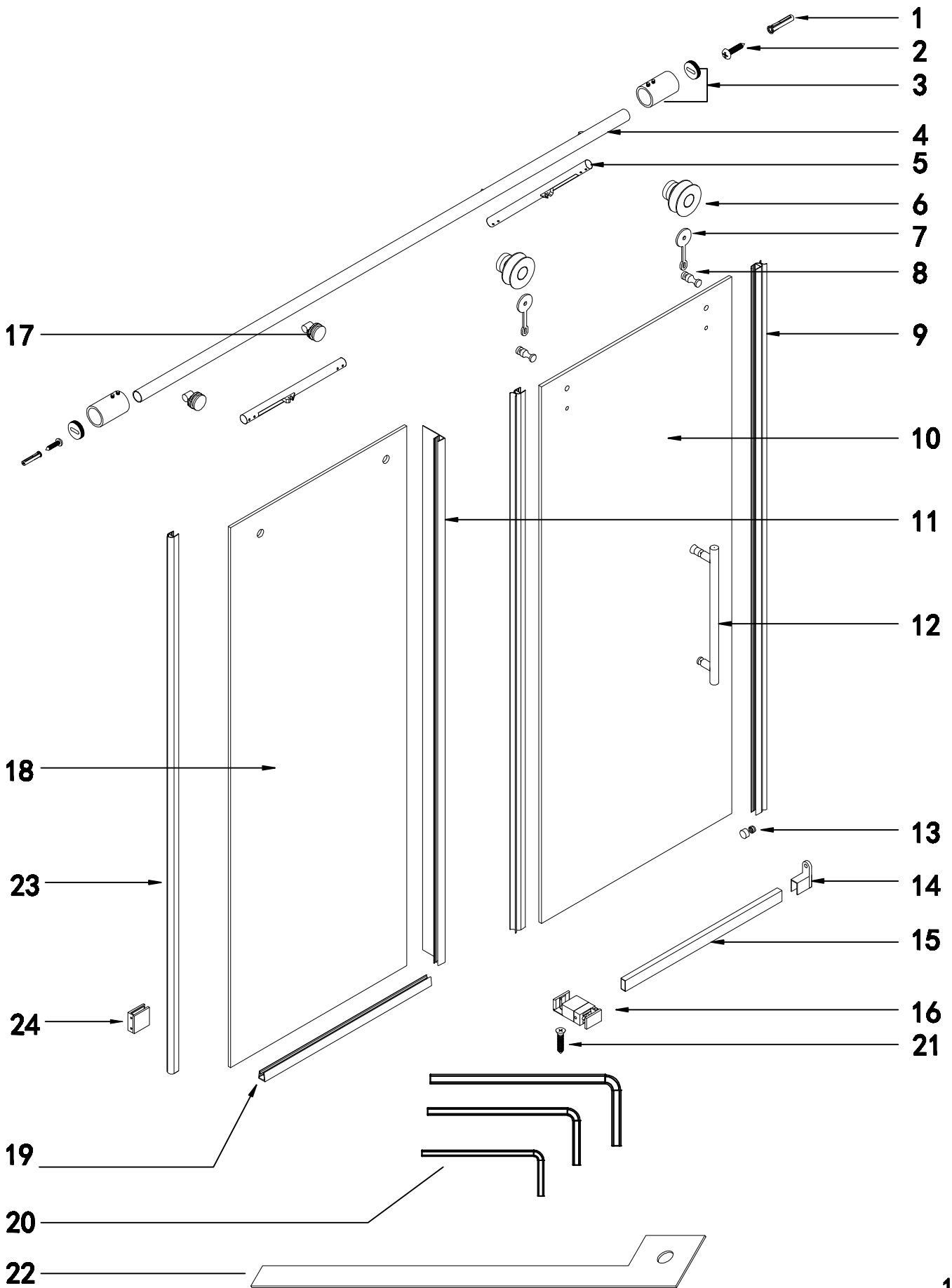


Left Hand Install



Right Hand Install

Detailed Diagram



PART LIST

Check all parts according to the list before assembly

Recommended Tools

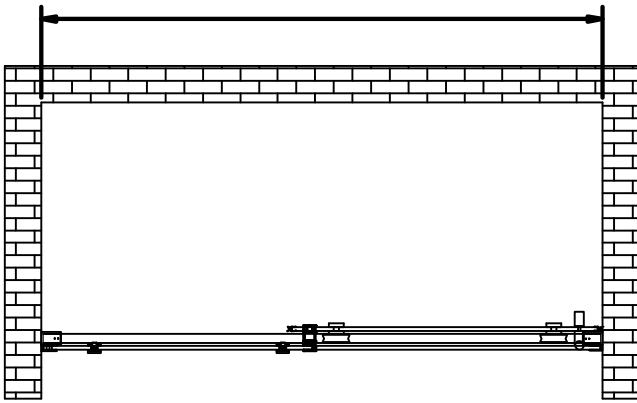
* Utilize Safety Glasses and Safety Gloves when constructing this shower door

* We recommend that 2 people work together to complete this installation

Choose the appropriate diagram below to assemble your shower door

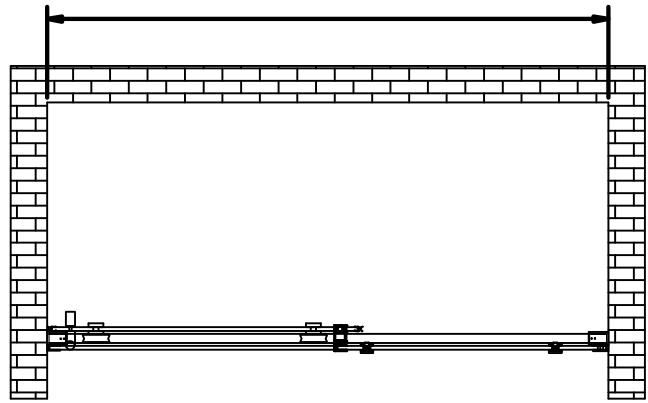
Left Hand Assembly

1. Measure the opening for the correct Shower Door size.

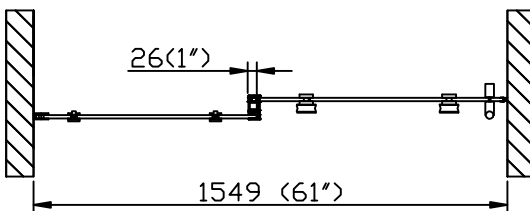
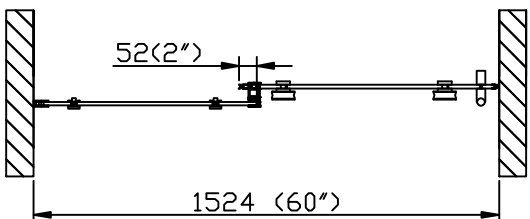
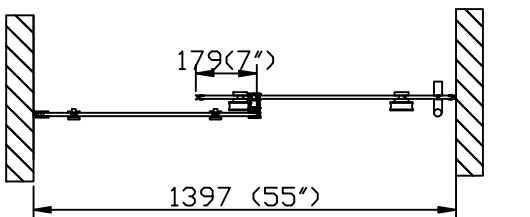


Right Hand Assembly

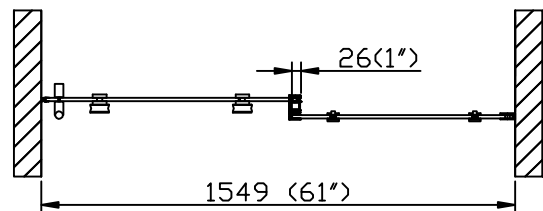
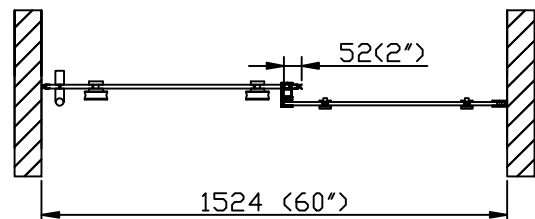
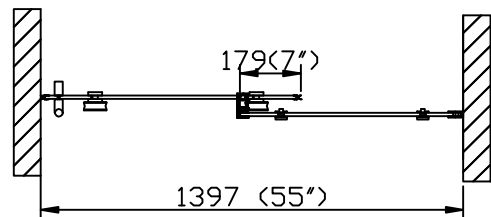
1. Measure the opening for the correct Shower Door size.



Instructions:
 The width of this product can be expanded by up to 25mm(1 inch).
 Minimum 127mm(5 inches) reduction
 As shown in the following picture



Instructions:
 The width of this product can be expanded by up to 25mm(1 inch).
 Minimum 127mm(5 inches) reduction
 As shown in the following picture

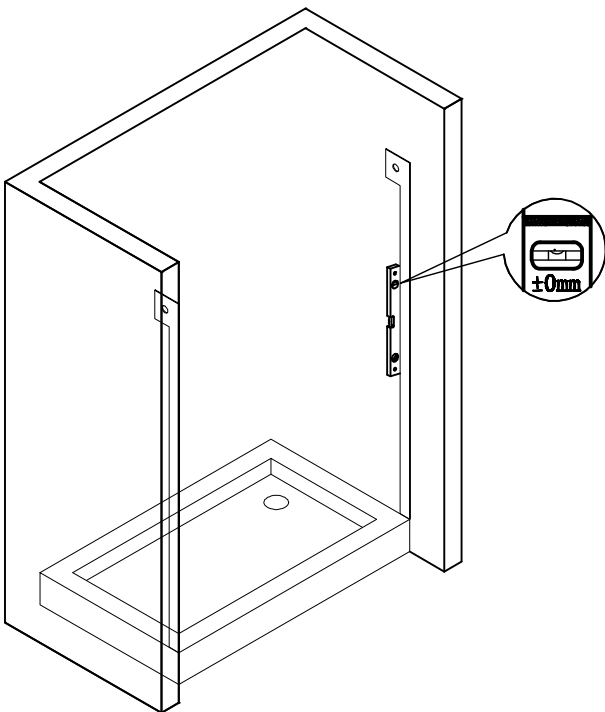


Choose the appropriate diagram below to assemble your shower door

Left Hand Assembly

STEP 1

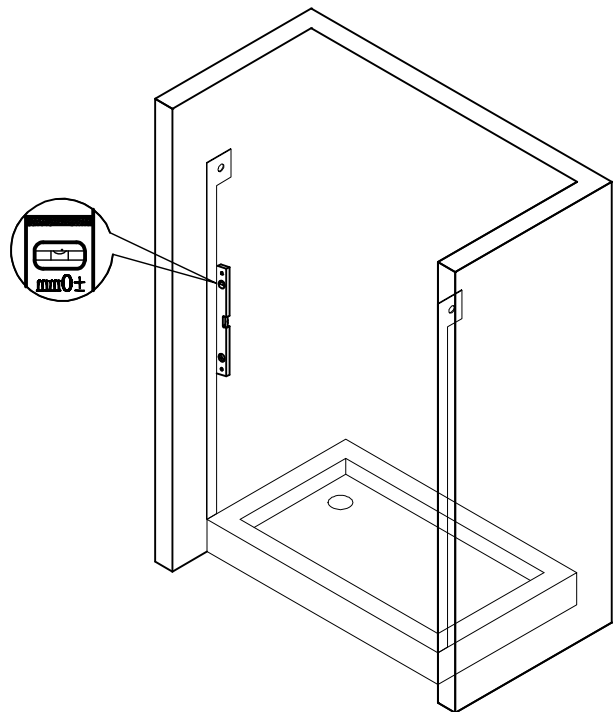
1. Lean the template 22 on the wall.
2. Make sure to level the template.
3. Use pencil to mark the hole on the template.



Right Hand Assembly

STEP 1

1. Lean the template 22 on the wall.
2. Make sure to level the template.
3. Use pencil to mark the hole on the template.



Insert template to bottom door guide.



Level the template.



Use pencil to mark the hole.



Use pencil to mark the hole.



Level the template.



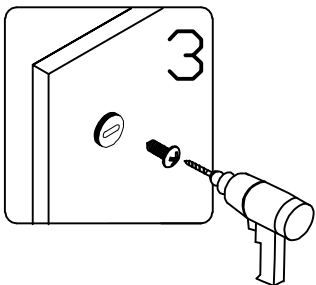
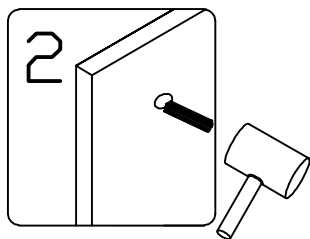
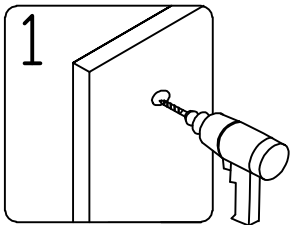
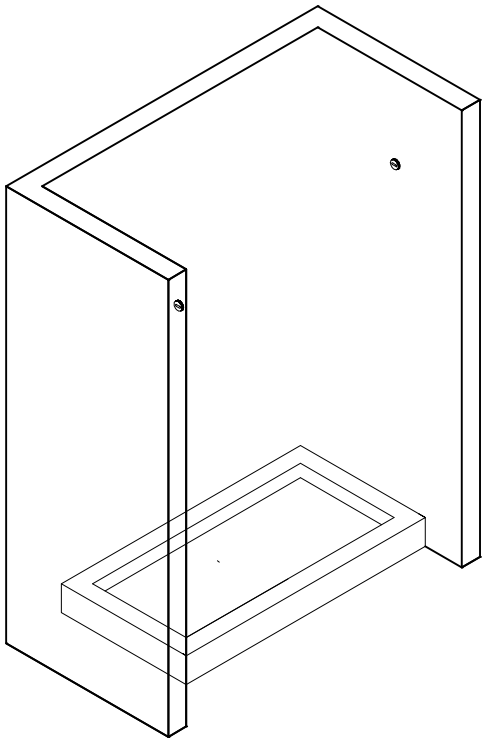
Insert template to bottom door guide.

Choose the appropriate diagram below to assemble your shower door

Left Hand Assembly

STEP 2

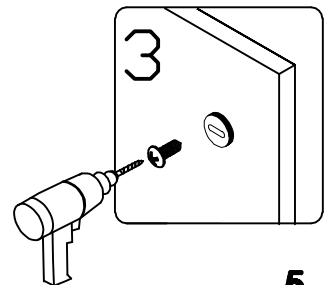
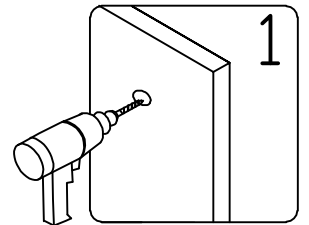
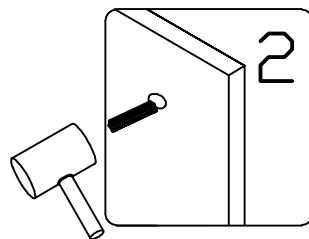
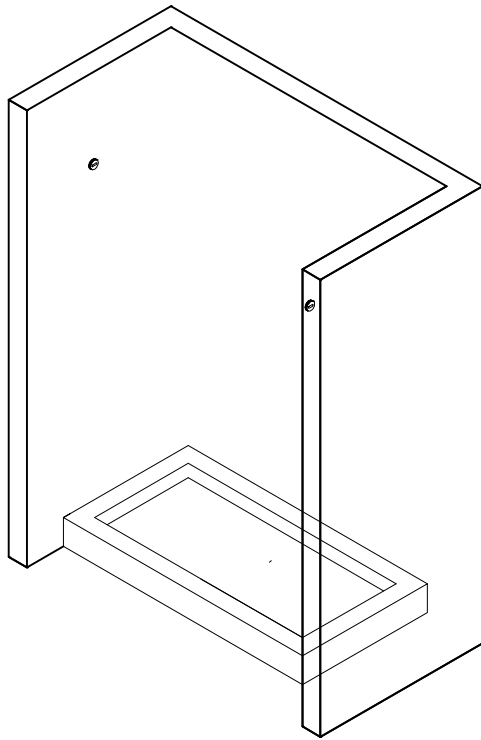
1. Drill a hole on the wall.
2. Hammer the Anchor into the hole.
3. Secure Wall Connector (3) onto the wall.



Right Hand Assembly

STEP 2

1. Drill a hole on the wall.
2. Hammer the Anchor into the hole.
3. Secure Wall Connector (3) onto the wall.

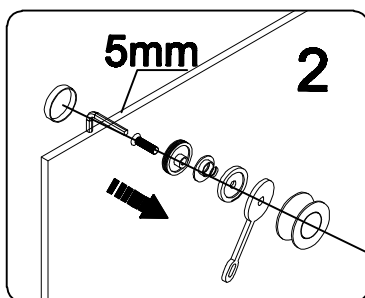
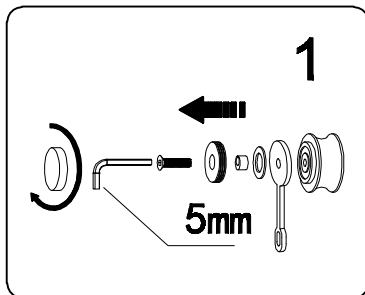
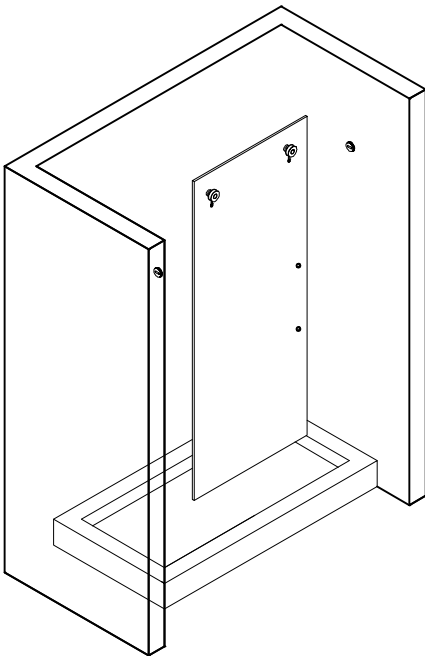


Choose the appropriate diagram below to assemble your shower door

Left Hand Assembly

STEP 3

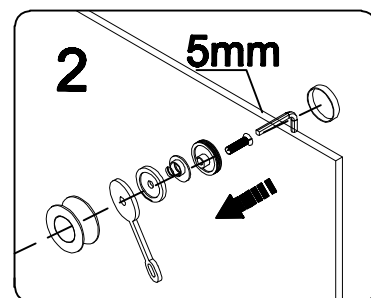
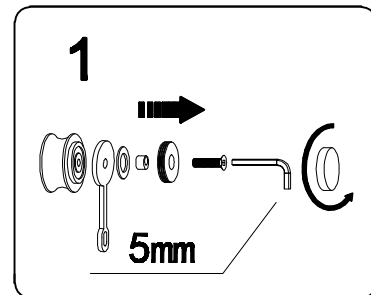
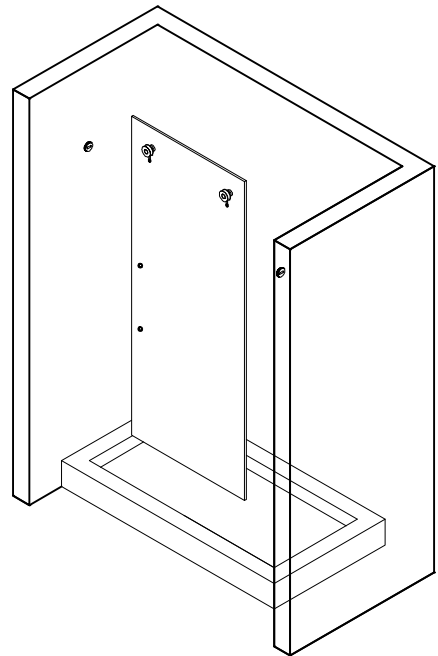
1. Disassemble the roller assembly ⑥ as shown, unscrew the cover and loosen the big bolt.
2. Reassemble the two pulley components onto the sliding door as shown in the picture. When finished, move the active panel to the shower area.



Right Hand Assembly

STEP 3

1. Disassemble the roller assembly ⑥ as shown, unscrew the cover and loosen the big bolt.
2. Reassemble the two pulley components onto the sliding door as shown in the picture. When finished, move the active panel to the shower area.

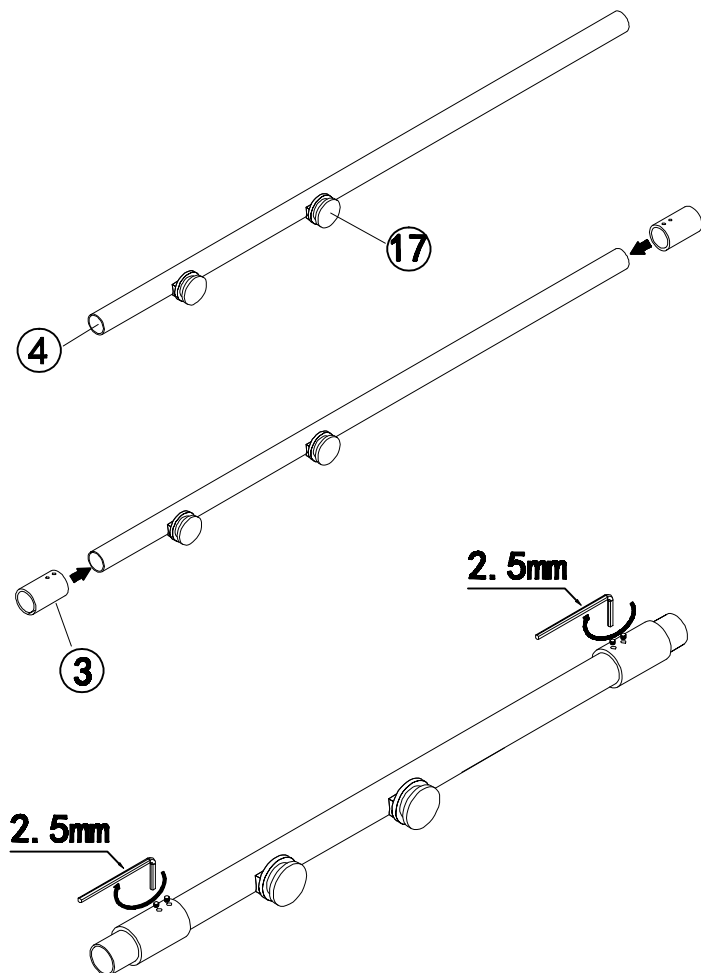


Choose the appropriate diagram below to assemble your shower door

Left Hand Assembly

STEP 4

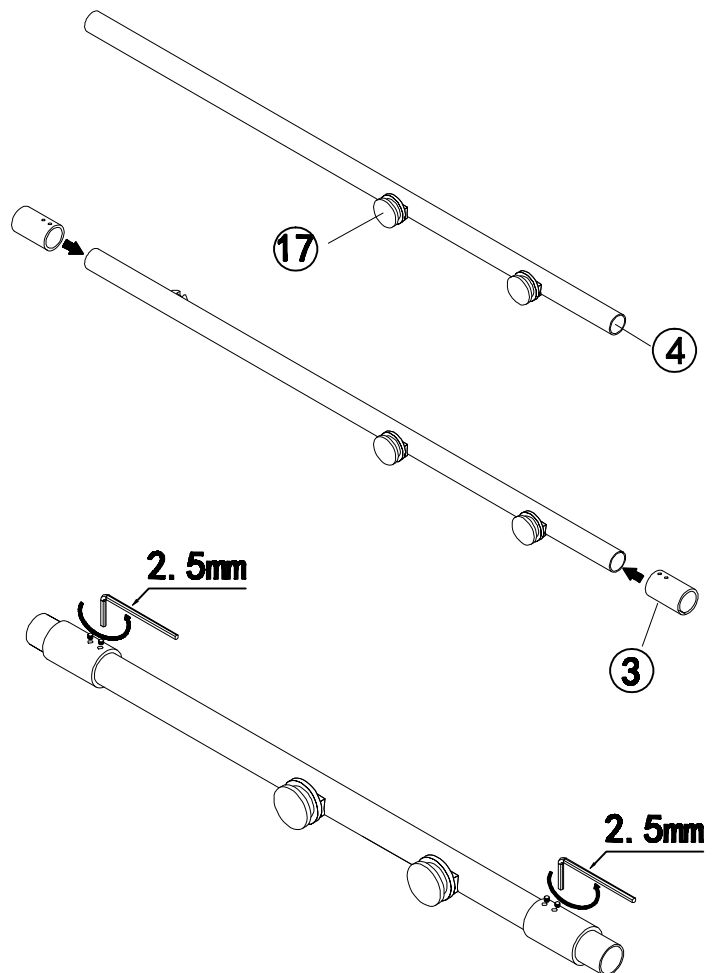
1. Insert the Rail Wall Connector ③ into the two sides of pull rod.
2. Utilize the 2.5mm Allen wrench to tighten the screw inside.



Right Hand Assembly

STEP 4

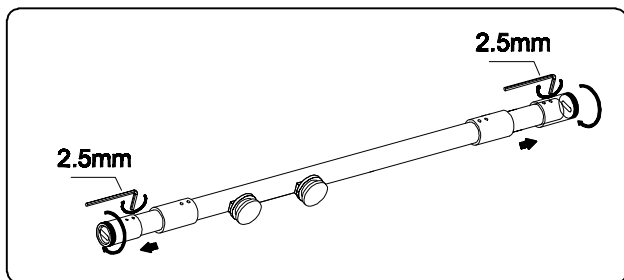
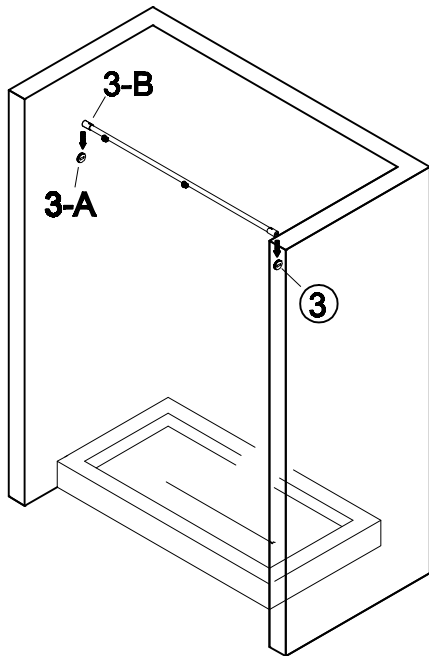
1. Insert the Rail Wall Connector ③ into the two sides of pull rod.
2. Utilize the 2.5mm Allen wrench to tighten the screw inside.



Choose the appropriate diagram below to assemble your shower door

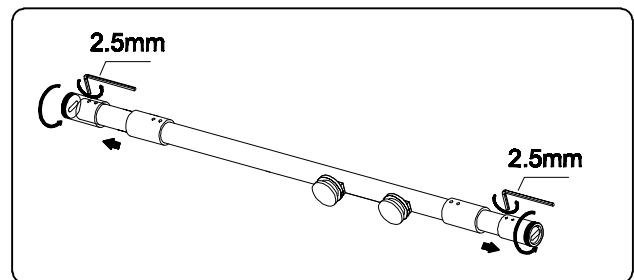
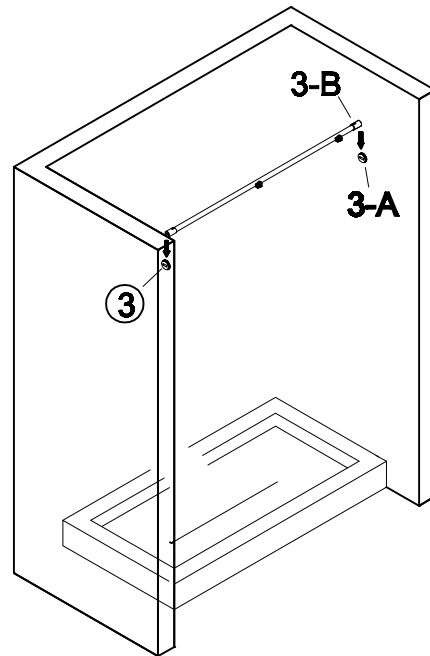
Left Hand Assembly STEP 5

1. Screwing the rod and Wall Connector(3-B) in the Wall Connector(3-A).
2. Tightening by 2.5mm Allen Wrench.



Right Hand Assembly STEP 5

1. Screwing the rod and Wall Connector(3-B) in the Wall Connector(3-A).
2. Tightening by 2.5mm Allen Wrench.

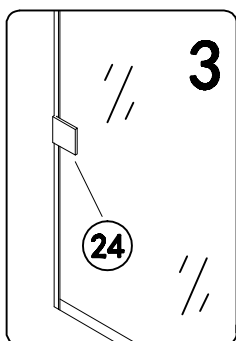
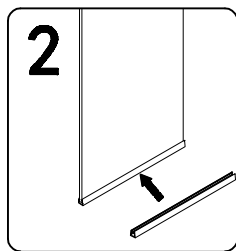
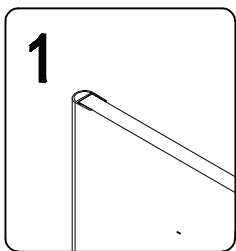
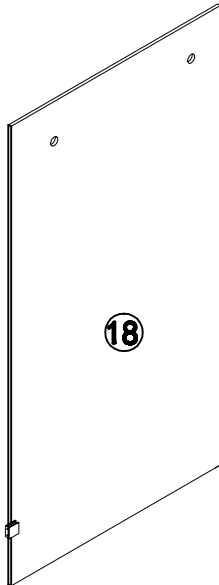


Choose the appropriate diagram below to assemble your shower door

Left Hand Assembly

STEP 6

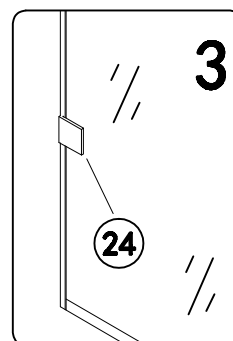
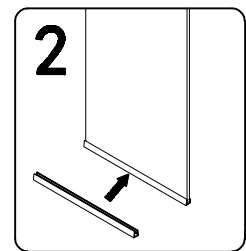
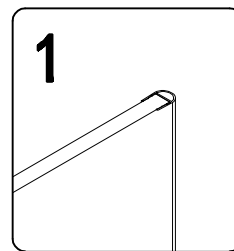
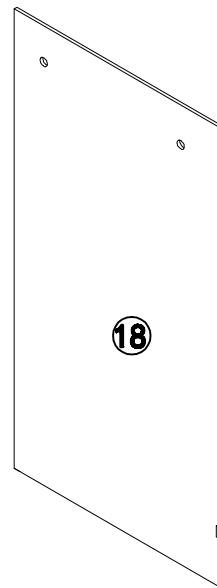
1. Install waterproof strips²³ on fixed glass near the wall.
2. Install waterproof strips¹⁹ on the bottom of fixed glass.
3. Install wall clip²⁴ on fixed glass, non-locking.



Right Hand Assembly

STEP 6

1. Install waterproof strips²³ on fixed glass near the wall.
2. Install waterproof strips¹⁹ on the bottom of fixed glass.
3. Install wall clip²⁴ on fixed glass, non-locking.

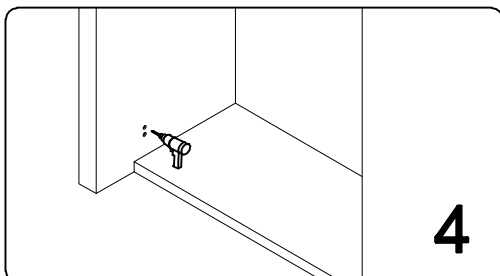
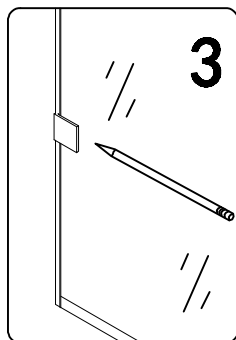
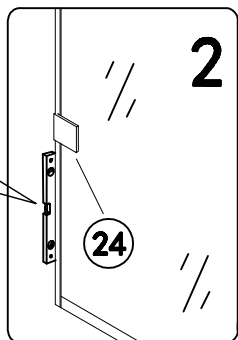
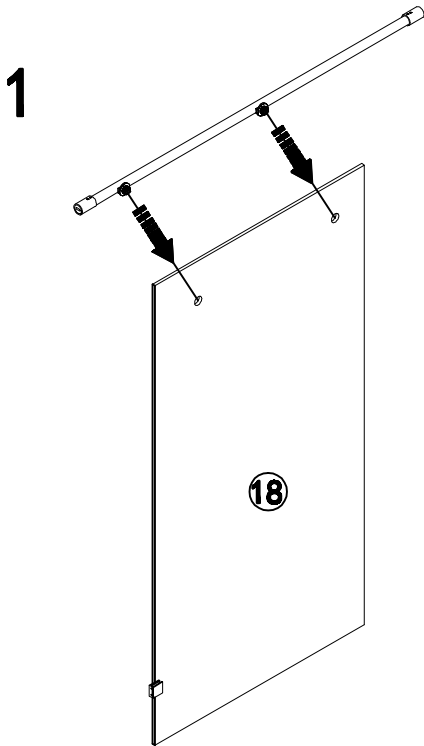


Choose the appropriate diagram below to assemble your shower door

Left Hand Assembly

STEP 7

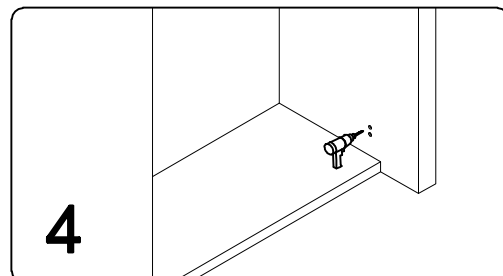
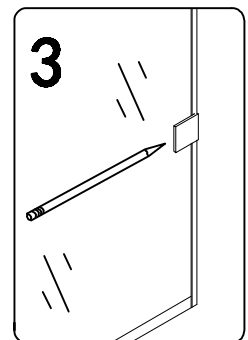
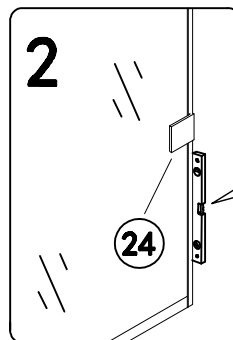
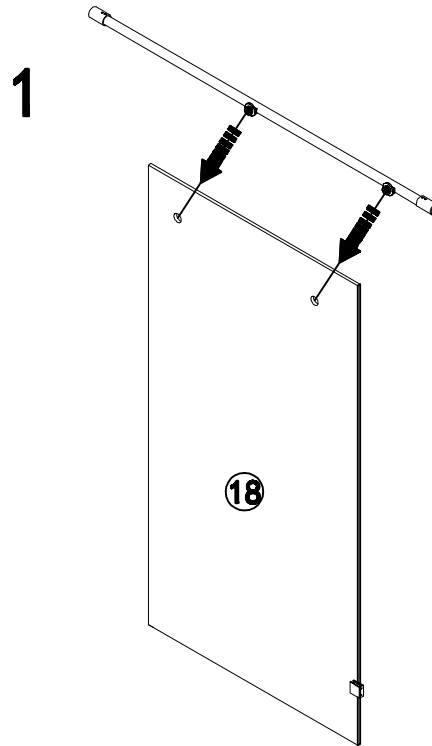
1. Connect the fixed glass and rod.
2. Use a level to measure the fixed glass vertically.
3. After drawing the hole on the wall, move aside the fixed glass.
4. Drill the hole for wall clamp to lock to the wall.



Right Hand Assembly

STEP 7

1. Connect the fixed glass and rod.
2. Use a level to measure the fixed glass vertically.
3. After drawing the hole on the wall, move aside the fixed glass.
4. Drill the hole for wall clamp to lock to the wall.

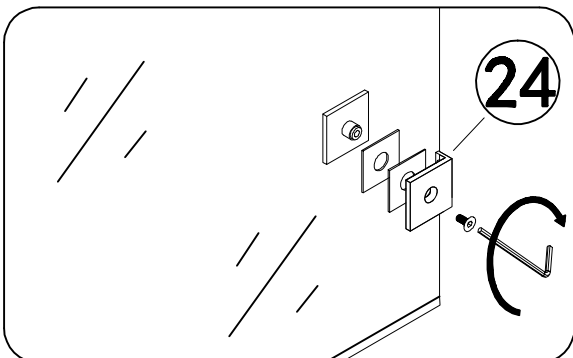
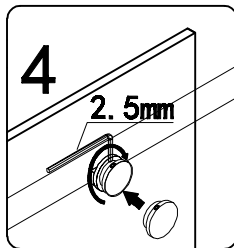
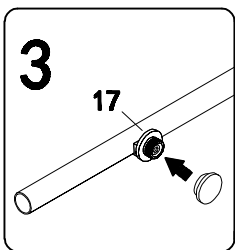
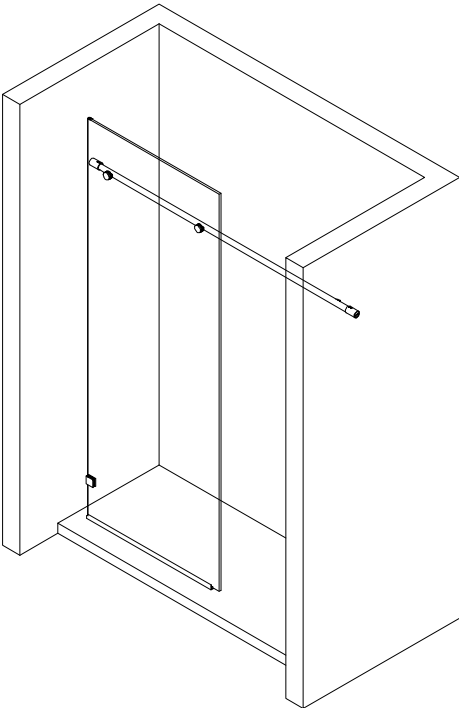


Choose the appropriate diagram below to assemble your shower door

Left Hand Assembly

STEP 8

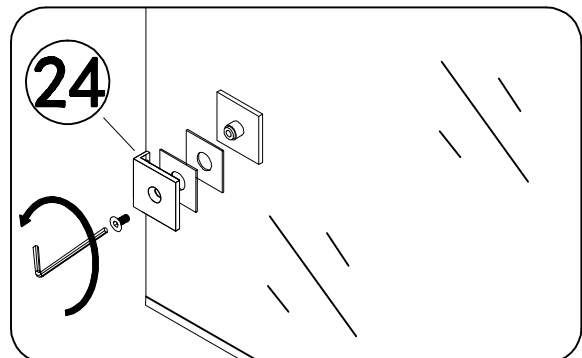
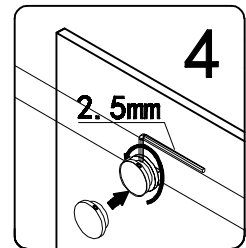
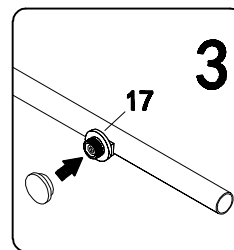
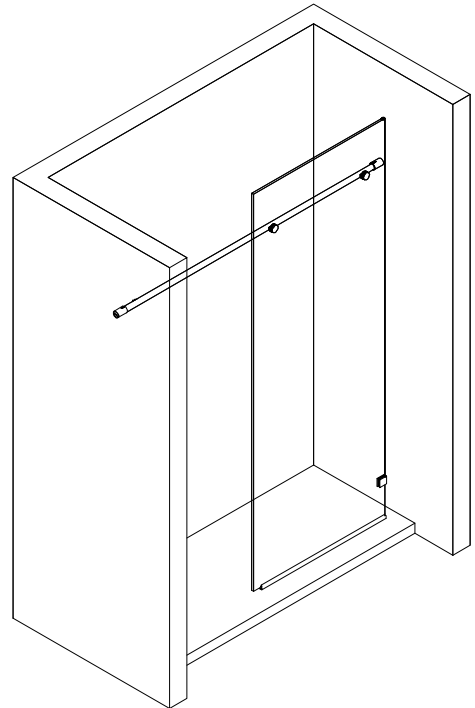
1. Reinstall the fixed glass and connect it with rod.
2. Lock the rod, tighten it with a 2.5cm allen wrench.
3. Lock the wall clamp, tighten it with a 4cm allen wrench.



Right Hand Assembly

STEP 8

1. Reinstall the fixed glass and connect it with rod.
2. Lock the rod, tighten it with a 2.5cm allen wrench.
3. Lock the wall clamp, tighten it with a 4cm allen wrench.

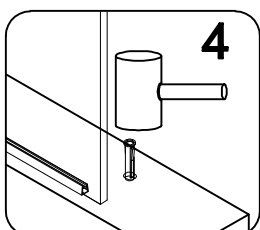
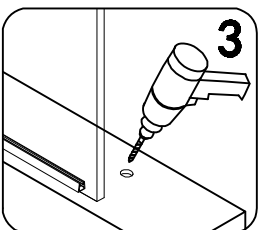
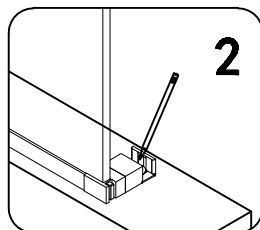
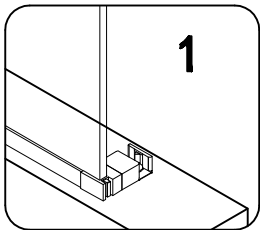
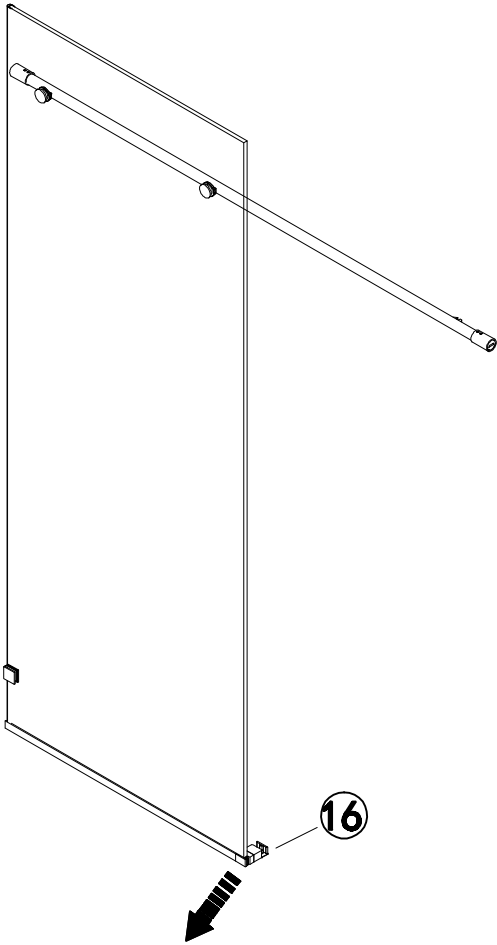


Choose the appropriate diagram below to assemble your shower door

Left Hand Assembly

STEP 9

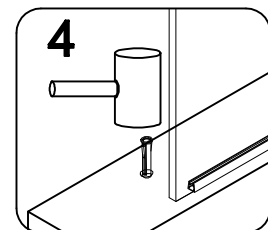
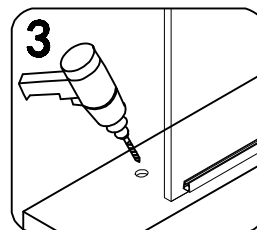
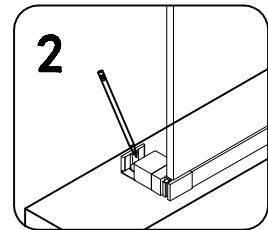
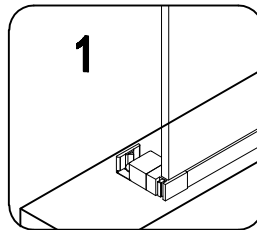
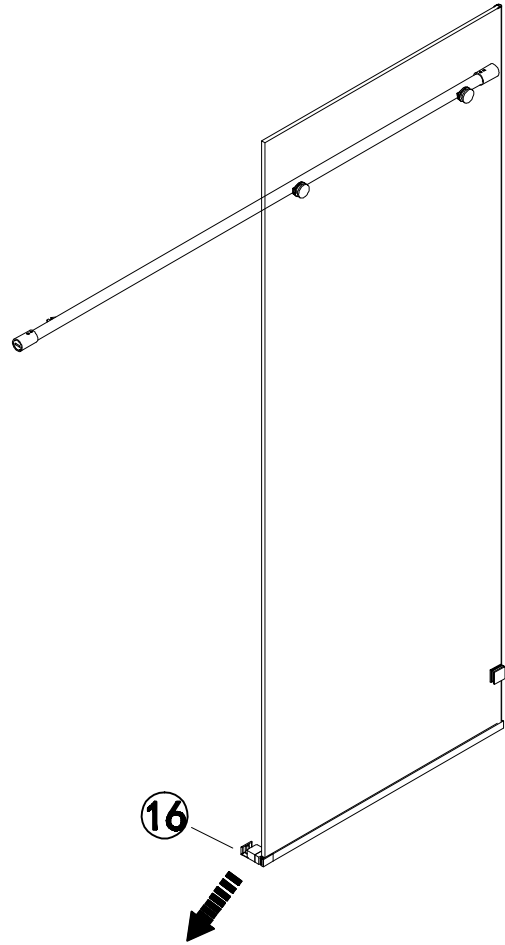
1. Insert the Sliding Block ⑩ on the bottom of fix panel corner.
2. Mark the holes with pencil.
3. Put away the Sliding Block ⑩, drill the holes with a drill in the marks.
4. Insert the wall anchor.



Right Hand Assembly

STEP 9

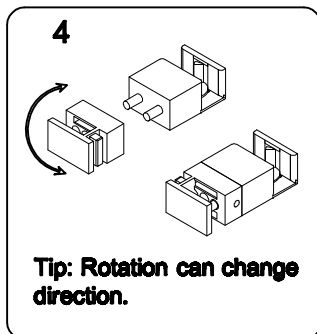
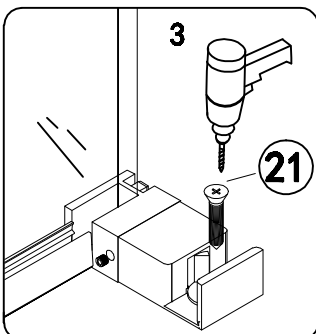
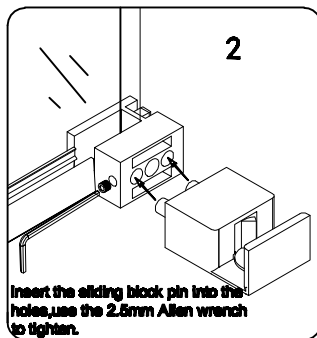
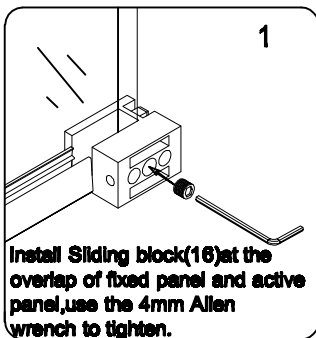
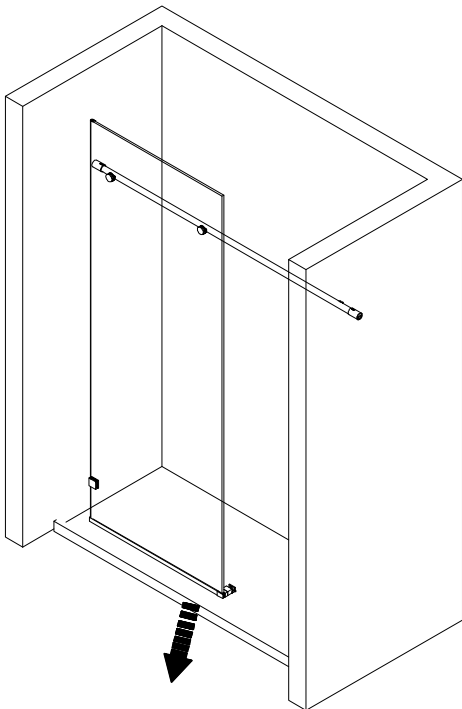
1. Insert the Sliding Block ⑩ on the bottom of fix panel corner.
2. Mark the holes with pencil.
3. Put away the Sliding Block ⑩, drill the holes with a drill in the marks.
4. Insert the wall anchor.



Choose the appropriate diagram below to assemble your shower door

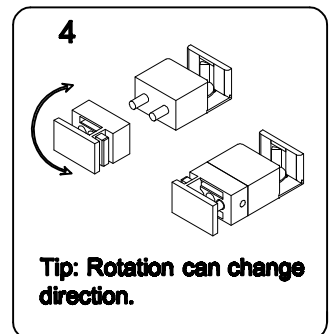
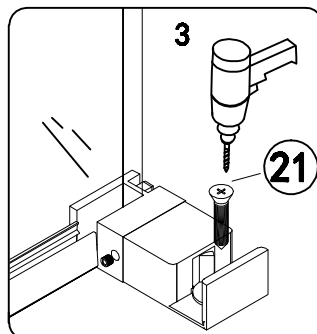
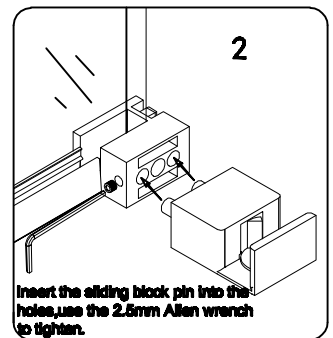
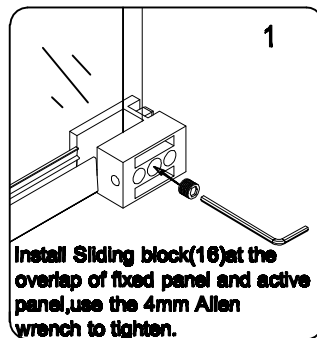
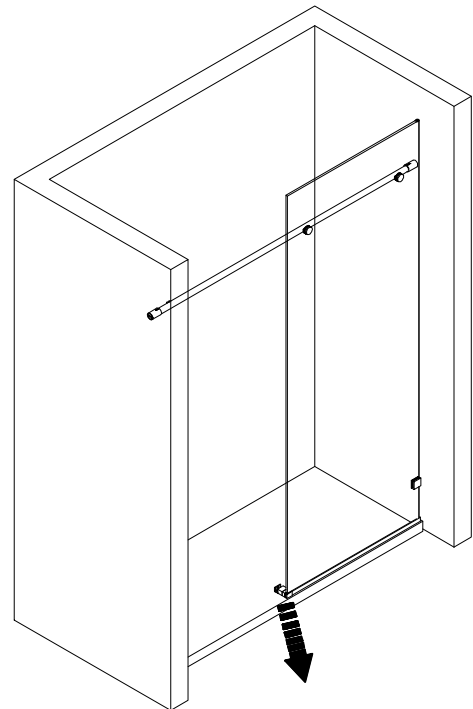
Left Hand Assembly

STEP 10
Install the Bottom Rail Connecting Part.



Right Hand Assembly

STEP 10
Install the Bottom Rail Connecting Part.

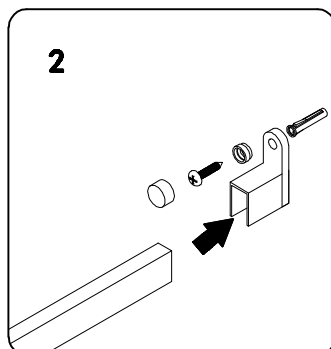
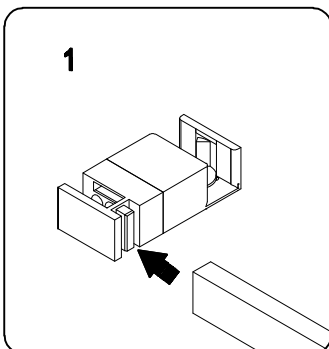
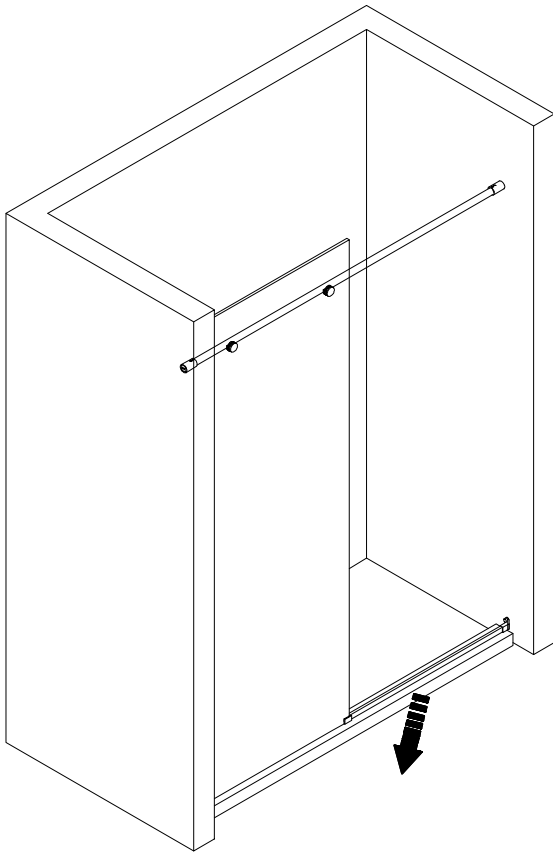


Choose the appropriate diagram below to assemble your shower door

Left Hand Assembly

STEP 11

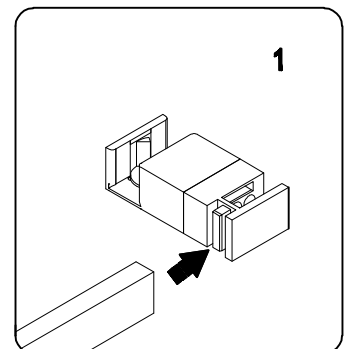
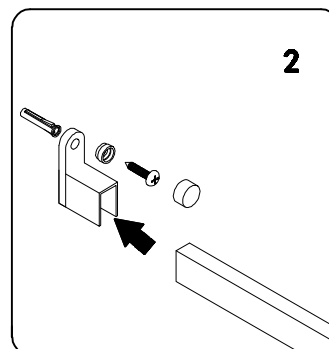
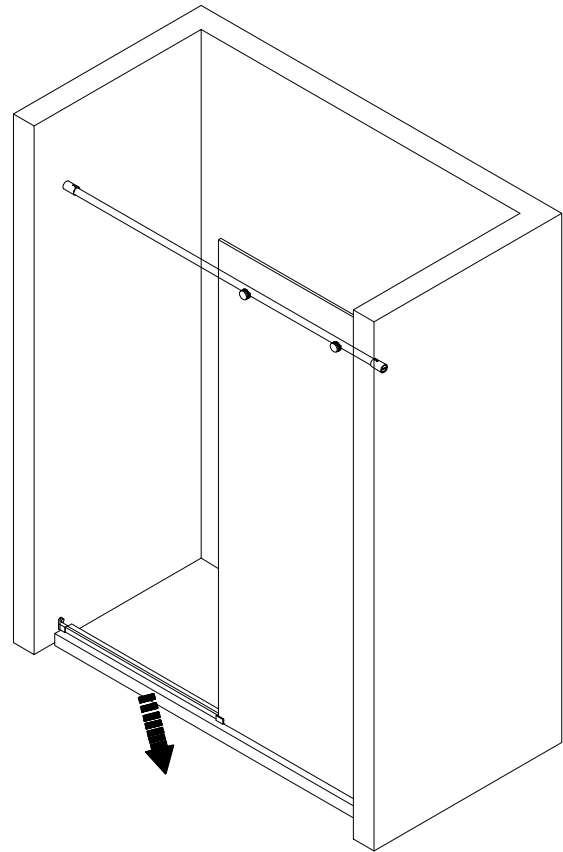
1. Insert one end of the Base bar (15) into the bayonet of Sliding block (16).
2. Insert the other end into the Bottom Rail Wall Connecting Part 14, use 4*25 Self-tapping, fixed to the wall with wall decoration cover (13).



Right Hand Assembly

STEP 11

1. Insert one end of the Base bar (15) into the bayonet of Sliding block (16).
2. Insert the other end into the Bottom Rail Wall Connecting Part 14, use 4*25 Self-tapping, fixed to the wall with wall decoration cover (13).

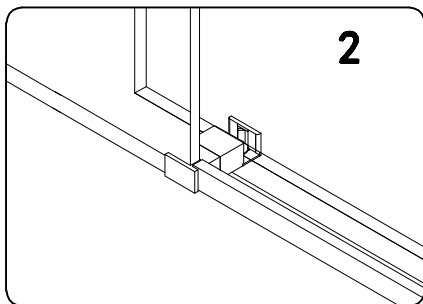
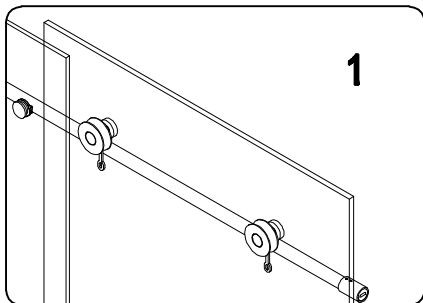
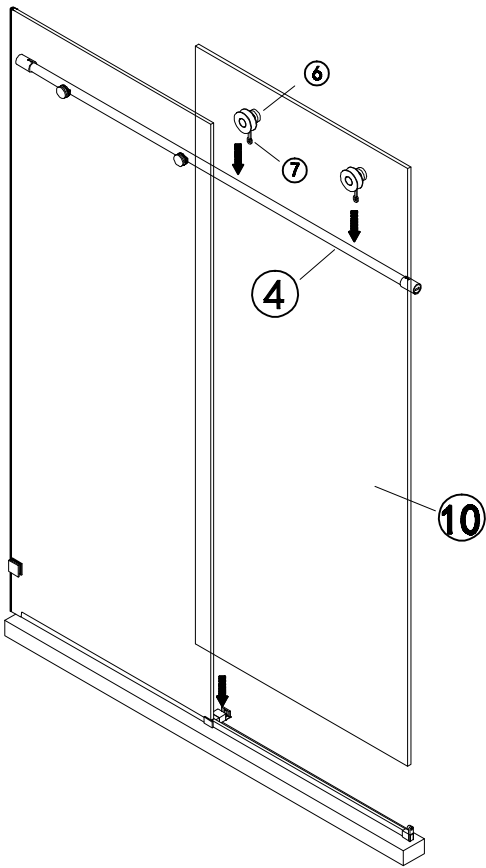


Choose the appropriate diagram below to assemble your shower door

Left Hand Assembly

STEP 12

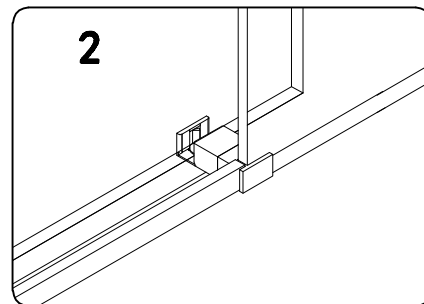
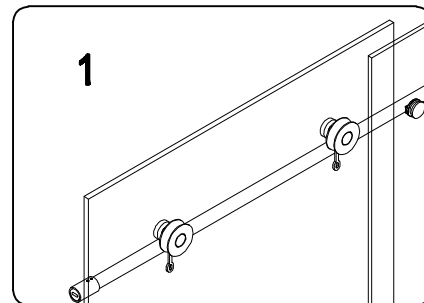
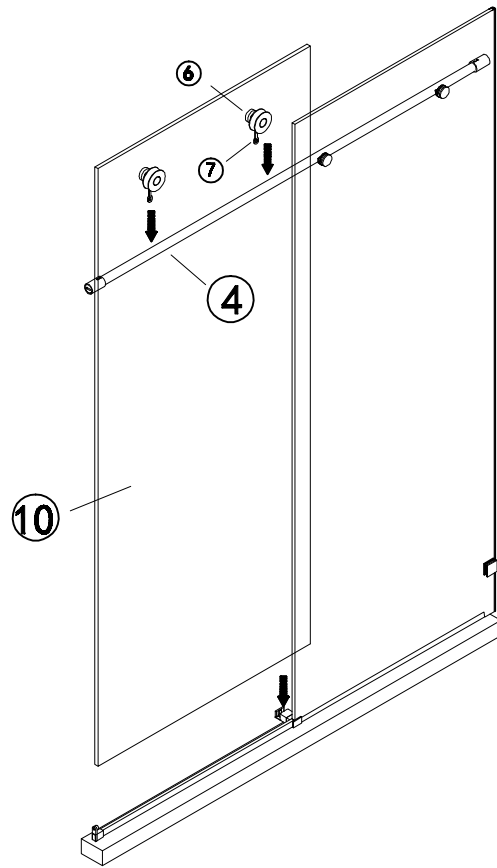
1. Hang the active panel on the top rail.
2. Make sure the bottom of the active panel loaded into the sliding block (16).



Right Hand Assembly

STEP 12

1. Hang the active panel on the top rail.
2. Make sure the bottom of the active panel loaded into the sliding block (16).

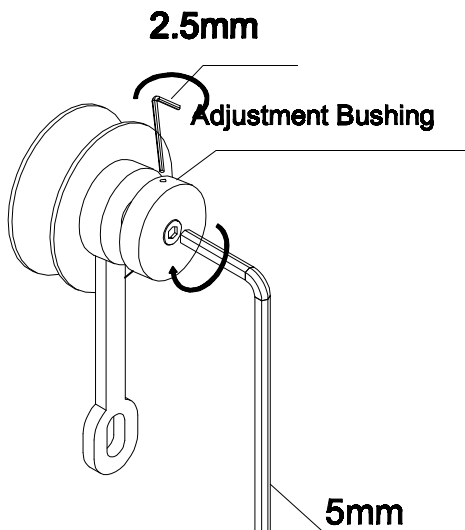
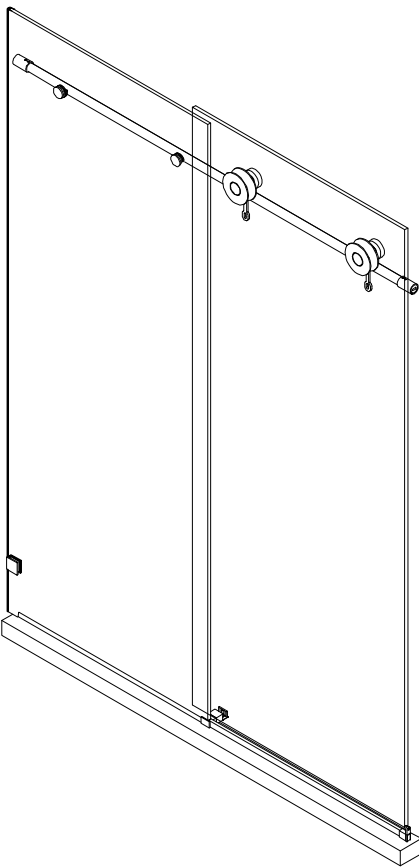


Choose the appropriate diagram below to assemble your shower door

Left Hand Assembly

STEP 13

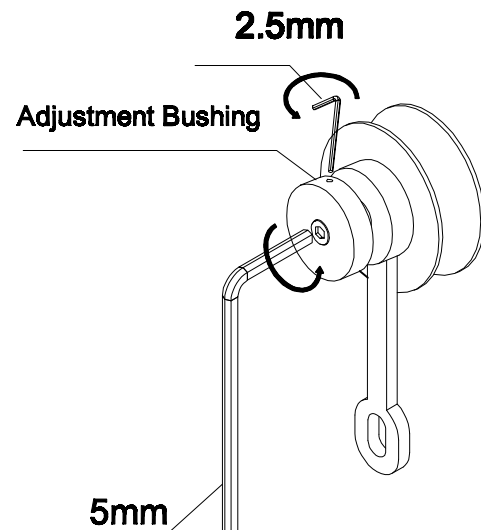
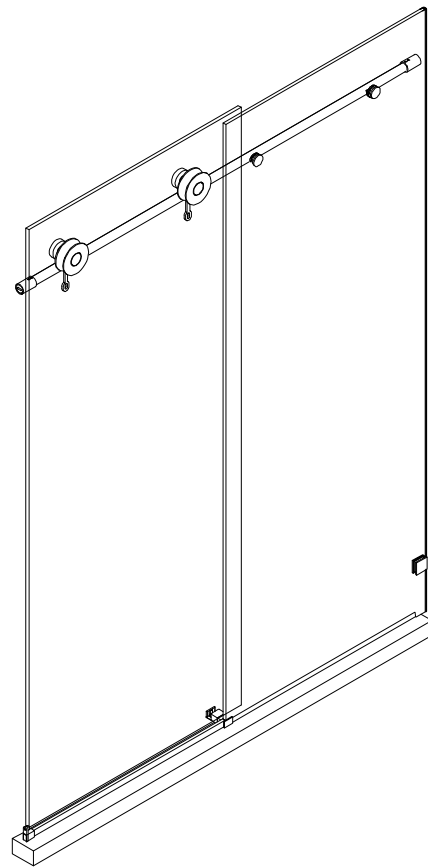
1. Use 2.5mm Allen wrench to rotate the eccentric shaft of the roller, adjust the height of the active panel.
2. Use 5mm Allen wrench to tight the roller.



Right Hand Assembly

STEP 13

1. Use 2.5mm Allen wrench to rotate the eccentric shaft of the roller, adjust the height of the active panel.
2. Use 5mm Allen wrench to tight the roller.

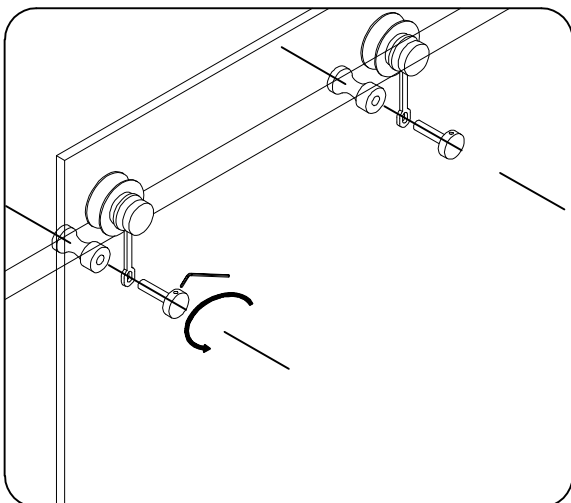
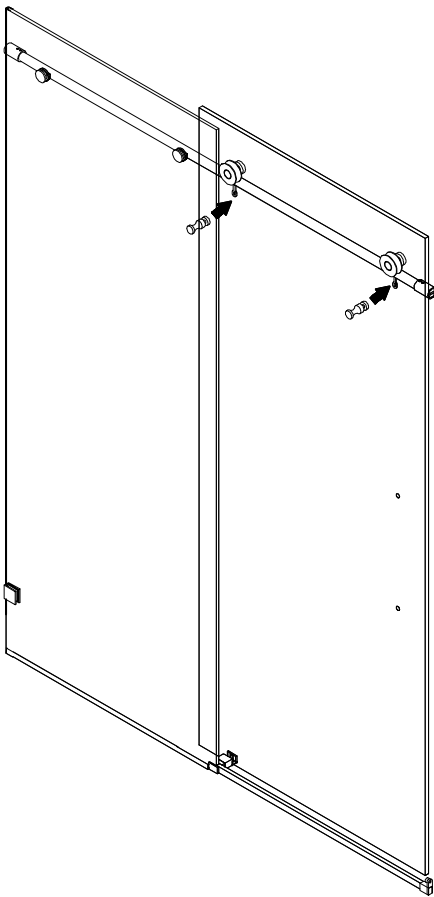


Choose the appropriate diagram below to assemble your shower door

Left Hand Assembly

STEP 14

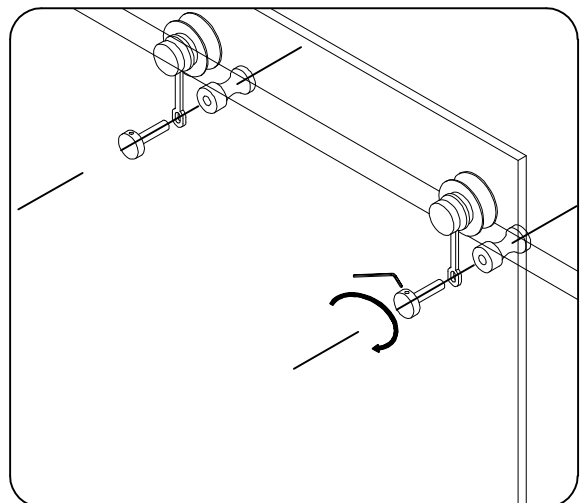
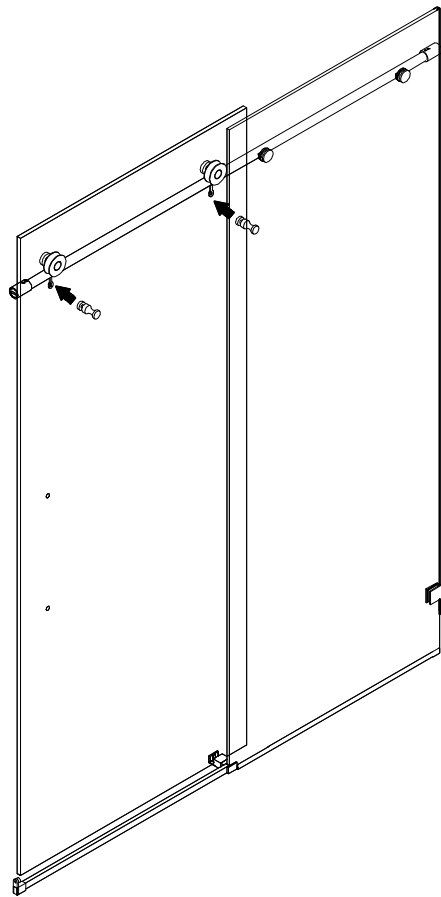
1. Install the Anti-Jumper ⑧ outside the active panel.
2. Use 2.5mm Allen wrench to tight inside.



Right Hand Assembly

STEP 14

1. Install the Anti-Jumper ⑧ outside the active panel.
2. Use 2.5mm Allen wrench to tight inside.

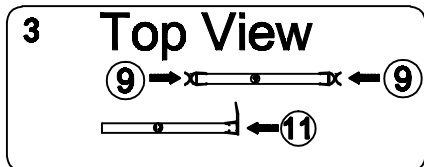
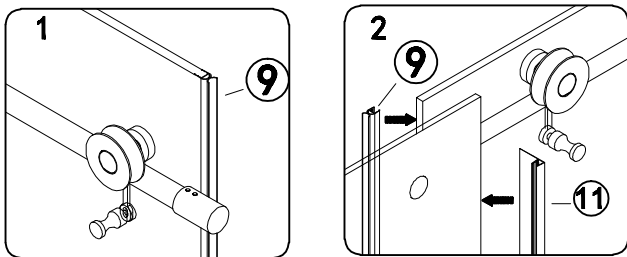
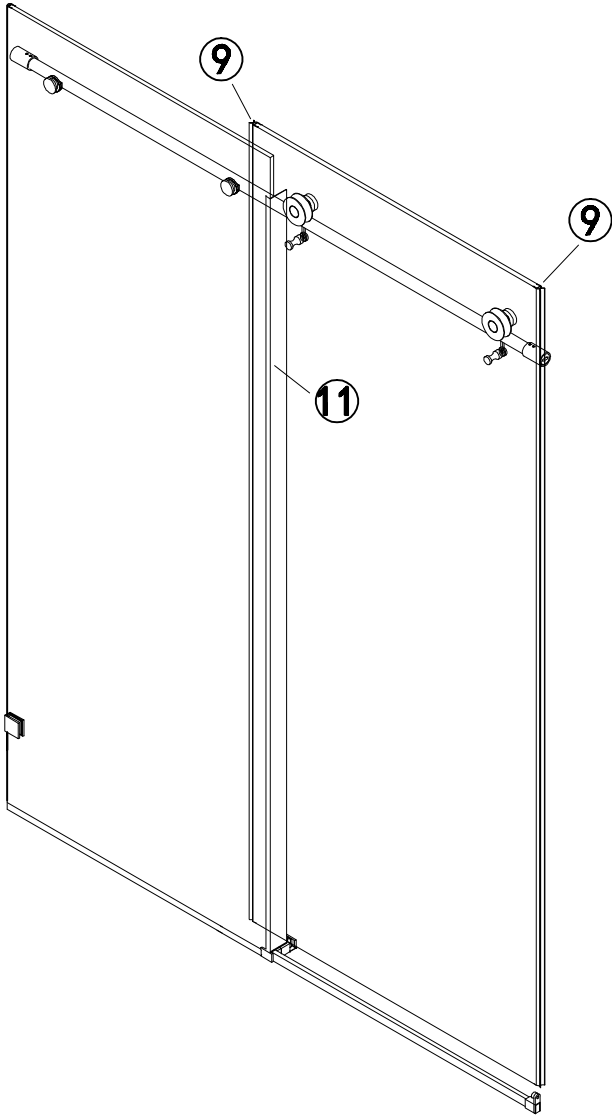


Choose the appropriate diagram below to assemble your shower door

Left Hand Assembly

STEP 15

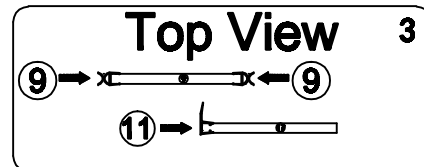
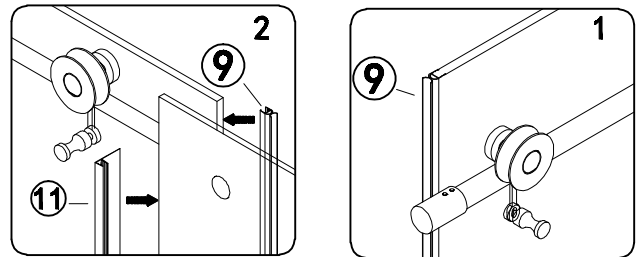
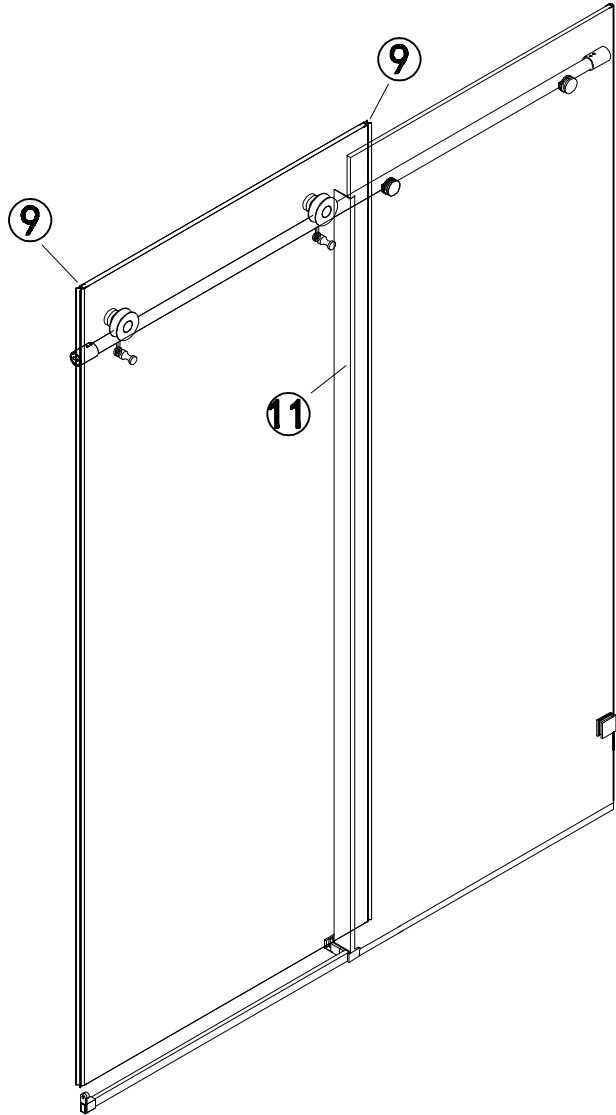
Install the Bumper Strip (9) and Water-Retaining Gasket (11).



Right Hand Assembly

STEP 15

Install the Bumper Strip (9) and Water-Retaining Gasket (11).

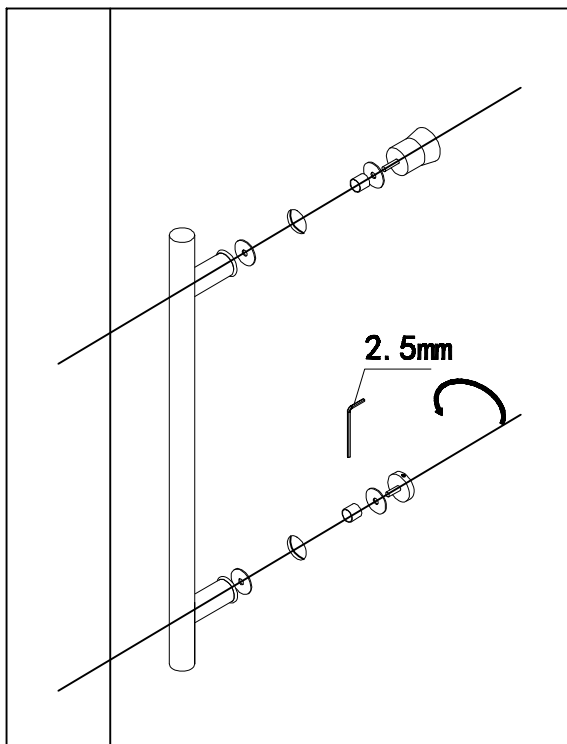
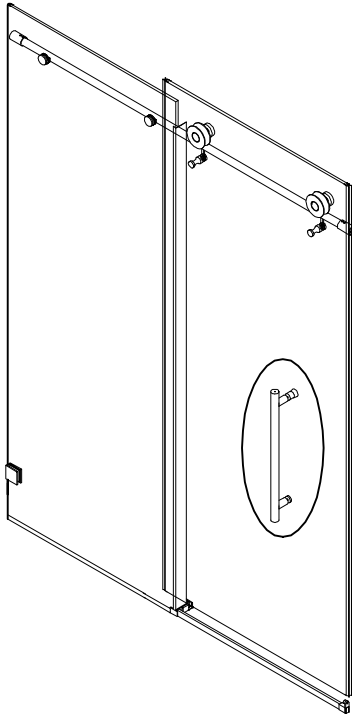


Choose the appropriate diagram below to assemble your shower door

Left Hand Assembly

STEP 16

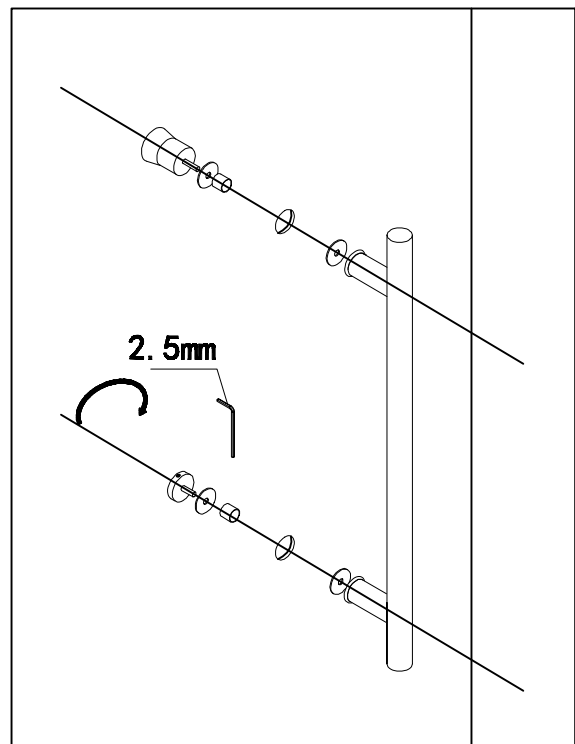
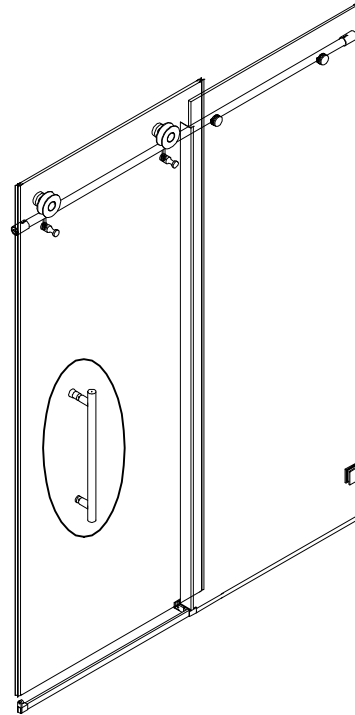
1. Install the Handle (12).
2. Use 2.5mm Allen wrench to tight.



Right Hand Assembly

STEP 16

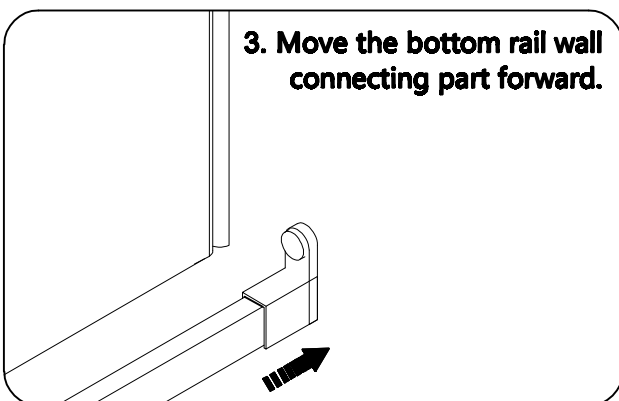
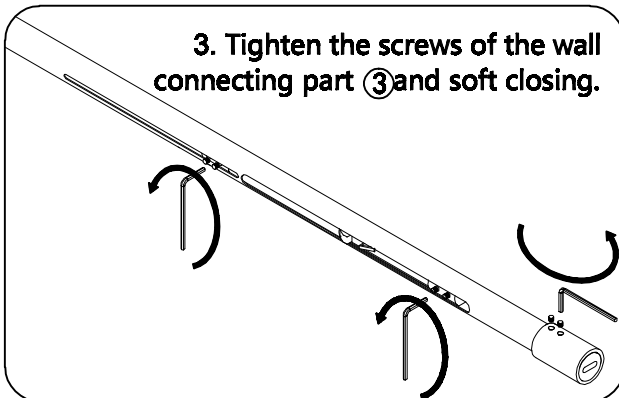
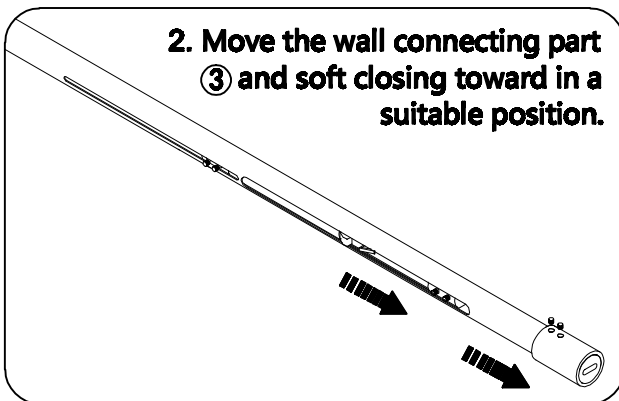
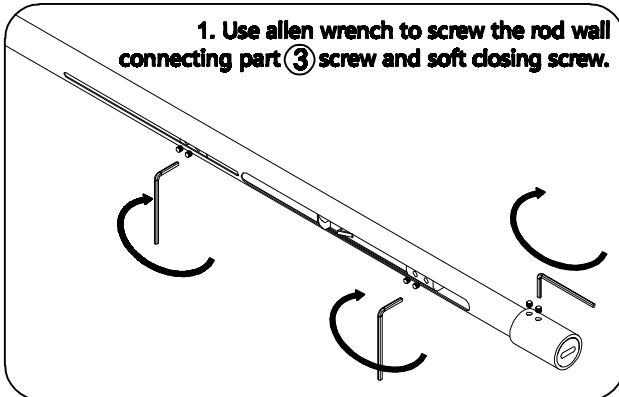
1. Install the Handle (12).
2. Use 2.5mm Allen wrench to tight.



Choose the appropriate diagram below to assemble your shower door

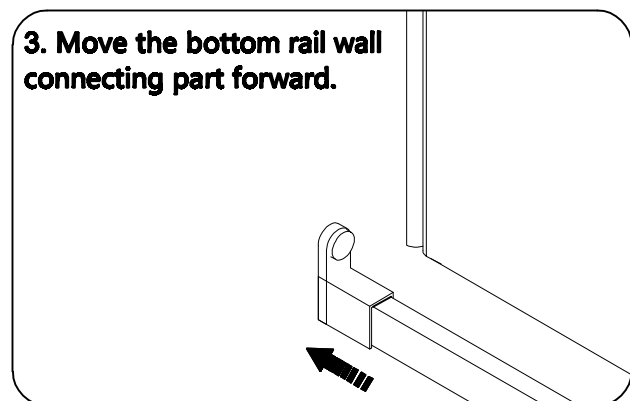
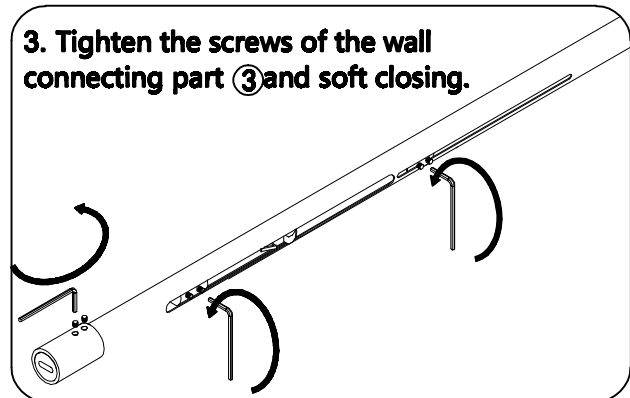
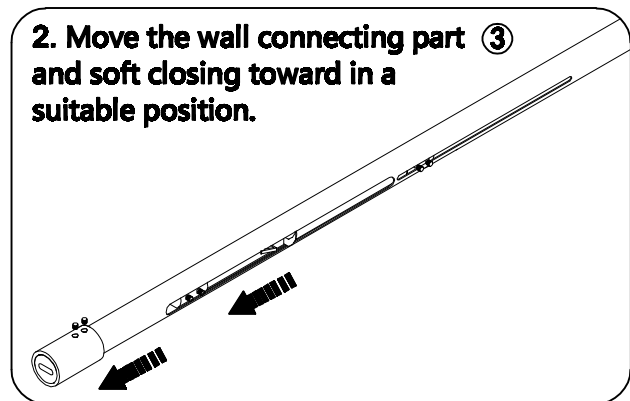
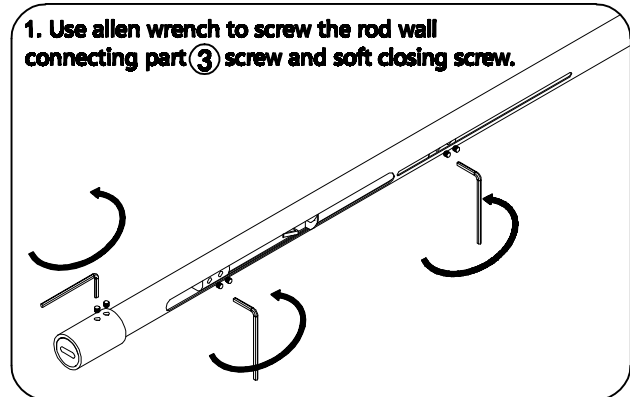
Left Hand Assembly

1. Shower door can be enlarged by 25mm (1 inch).



Right Hand Assembly

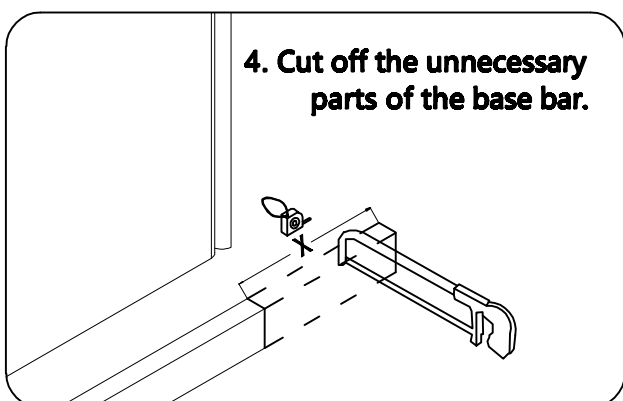
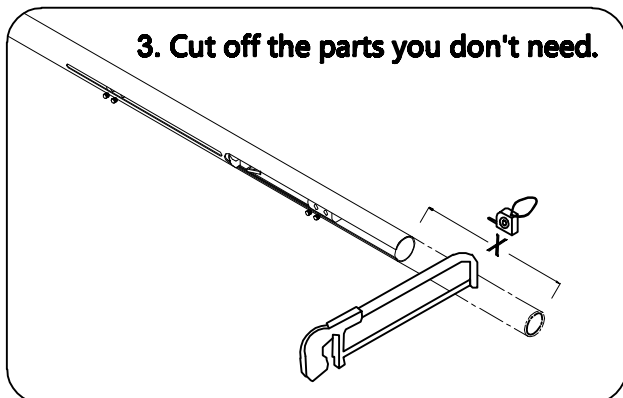
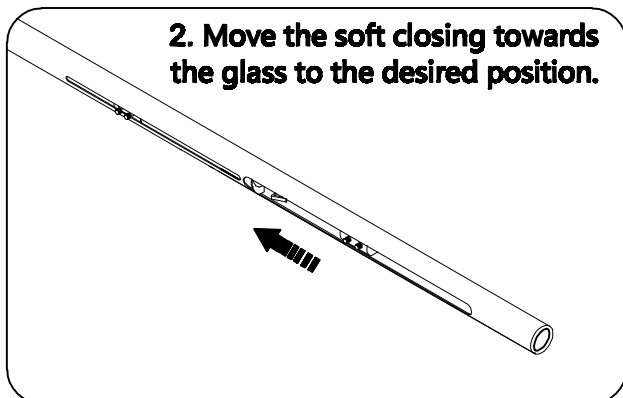
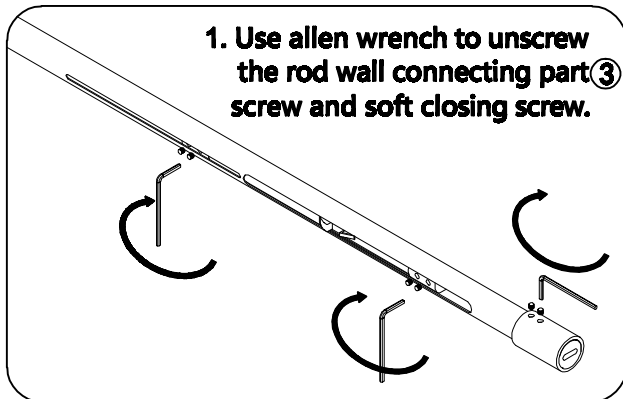
1. Shower door can be enlarged by 25mm (1 inch).



Choose the appropriate diagram below to assemble your shower door

Left Hand Assembly

1. Shower room can be reduced by 127mm (5 inches).



Right Hand Assembly

1. Shower room can be reduced by 127mm (5 inches).

