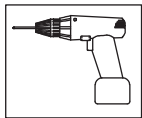
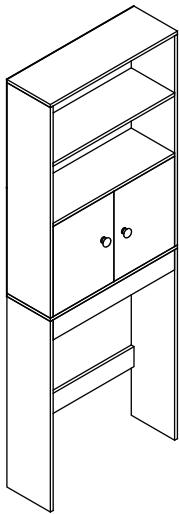
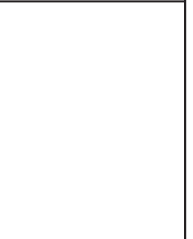
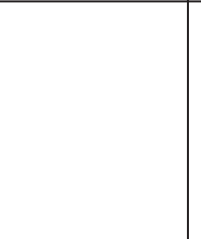
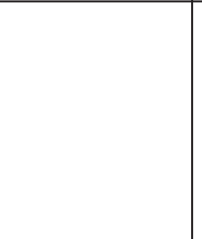
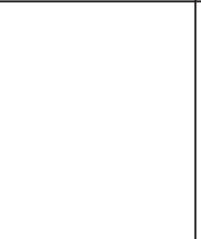
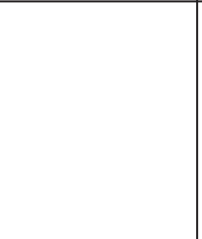
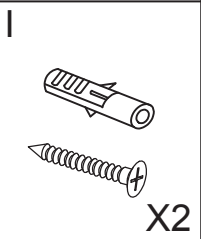
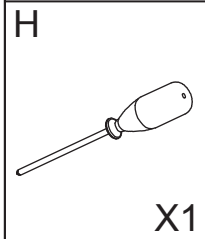
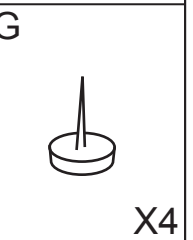
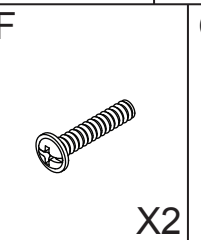
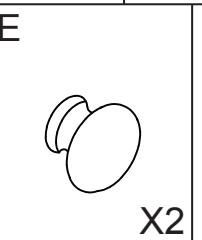
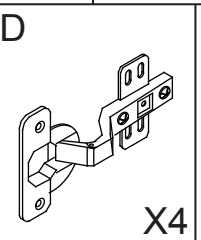
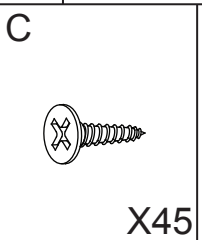
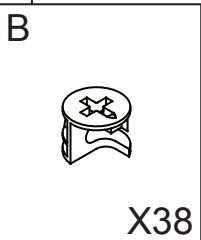
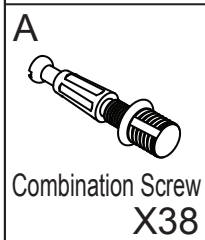
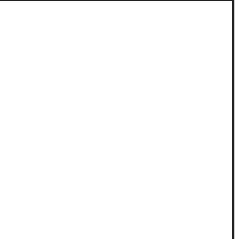
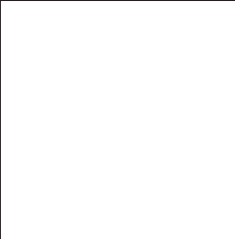
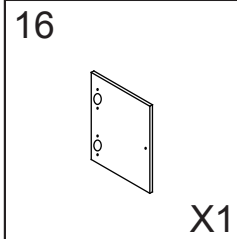
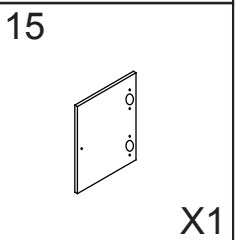
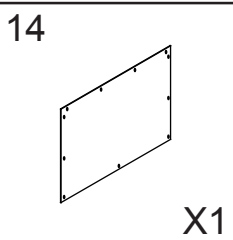
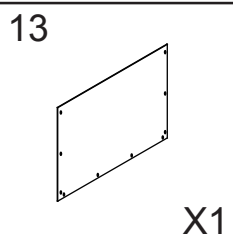
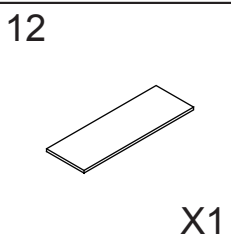
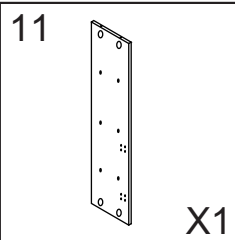
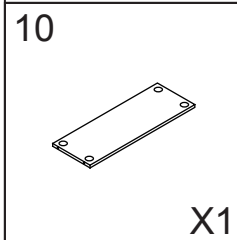
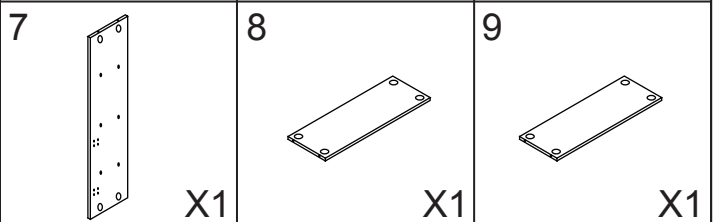
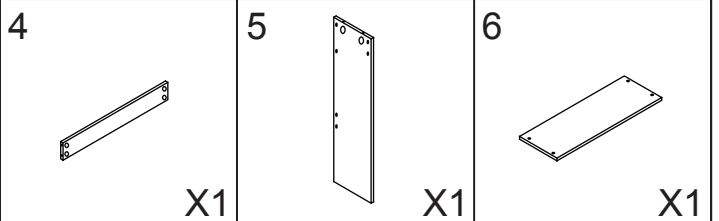
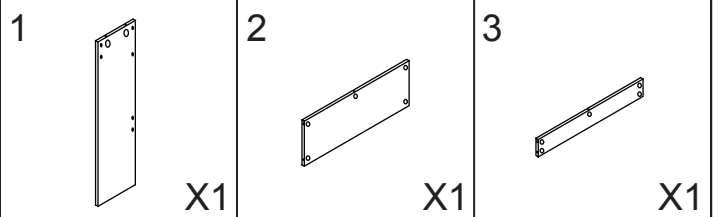


ASSEMBLY INSTRUCTION

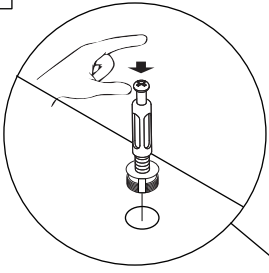
Below spare part's quantity on the AI is assembly needed, if find extra spare parts, just for lose avoiding.



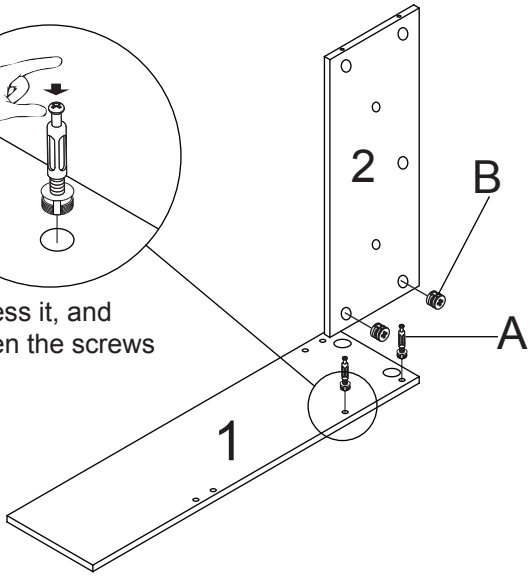
PLEASE BE CAREFUL. DO NOT DAMAGE THE HOLE POSITION WHEN YOU USE POWER TOOLS!



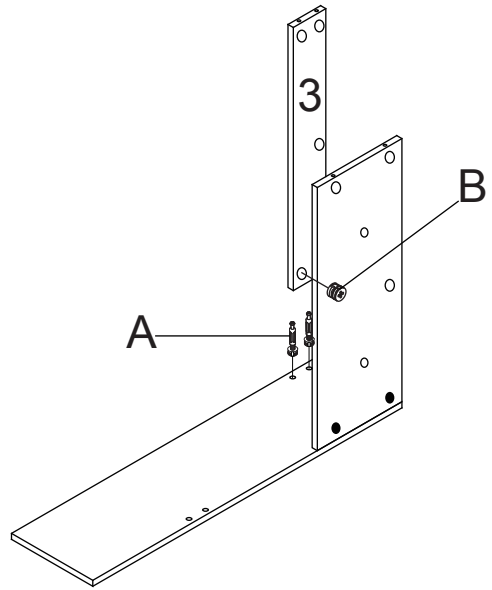
1



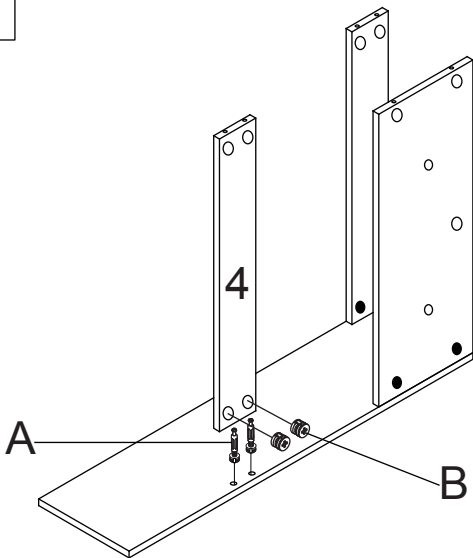
Firstly press it, and then fasten the screws



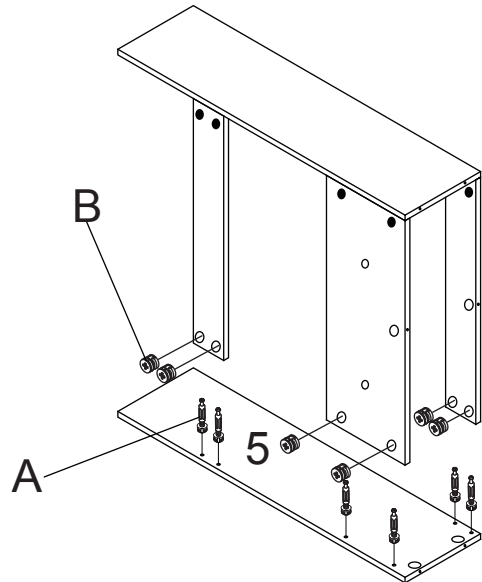
2



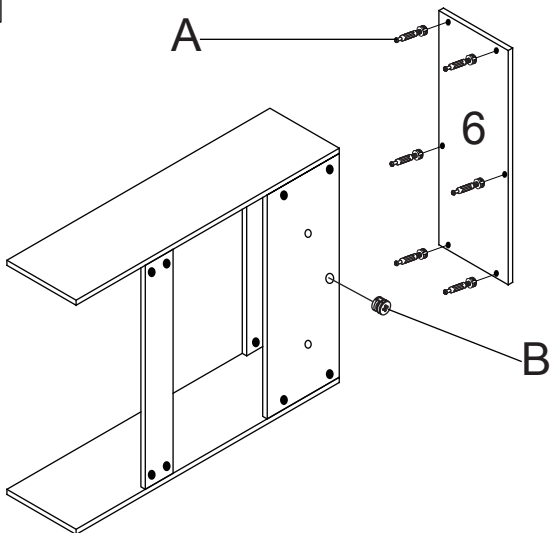
3



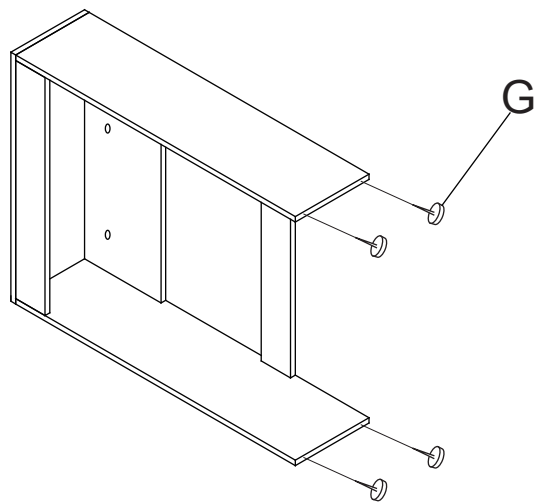
4

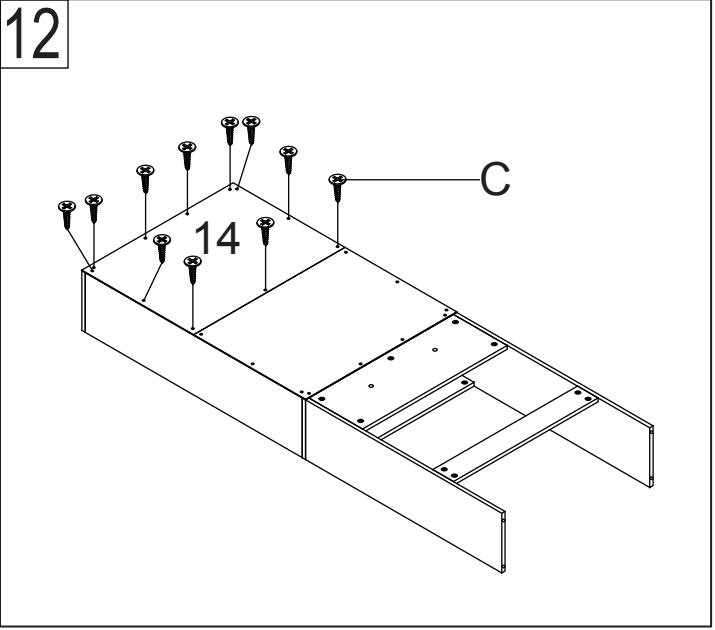
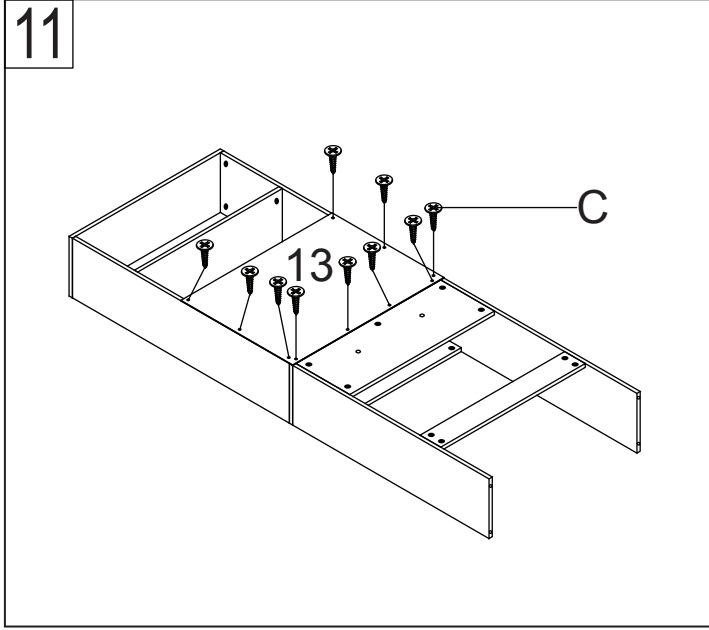
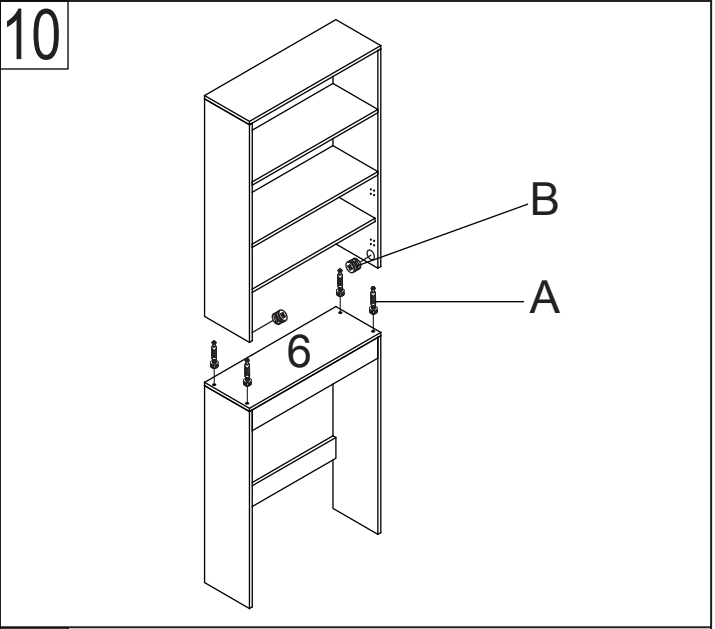
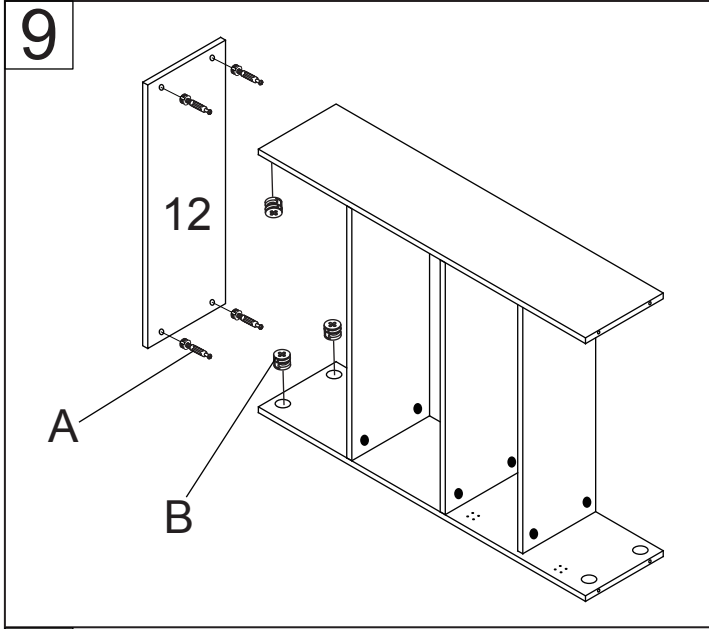
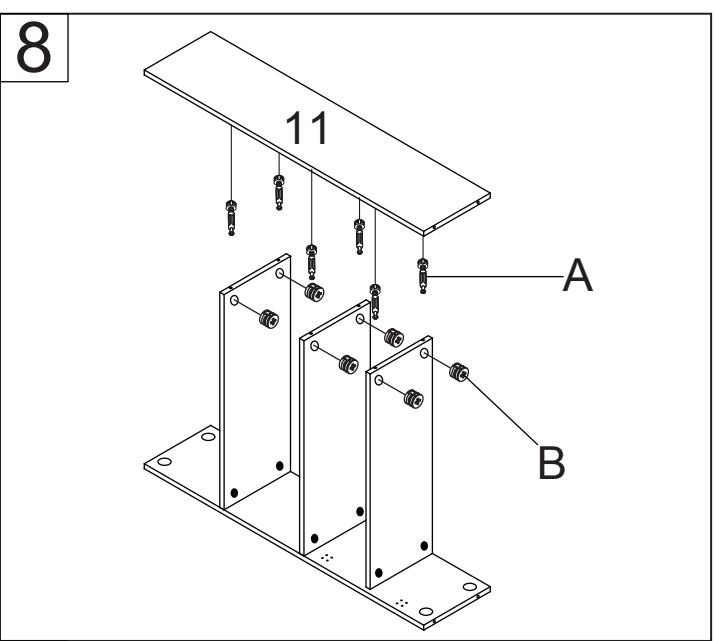
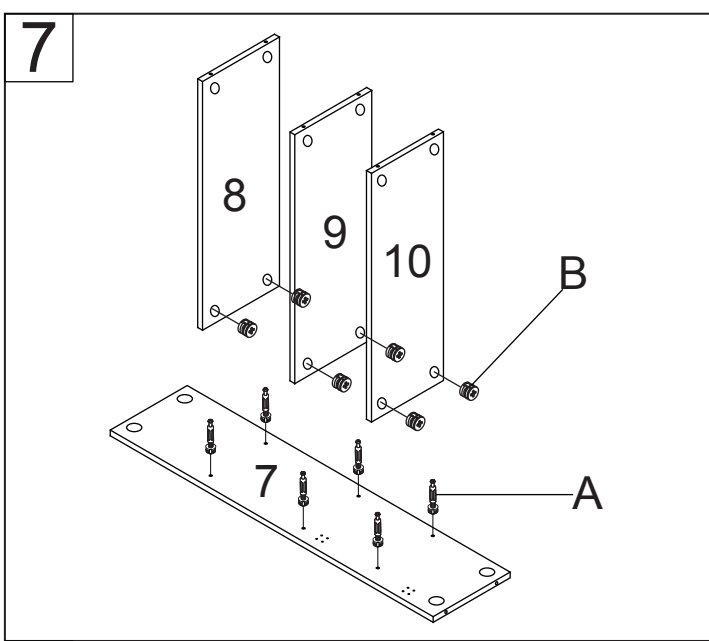


5

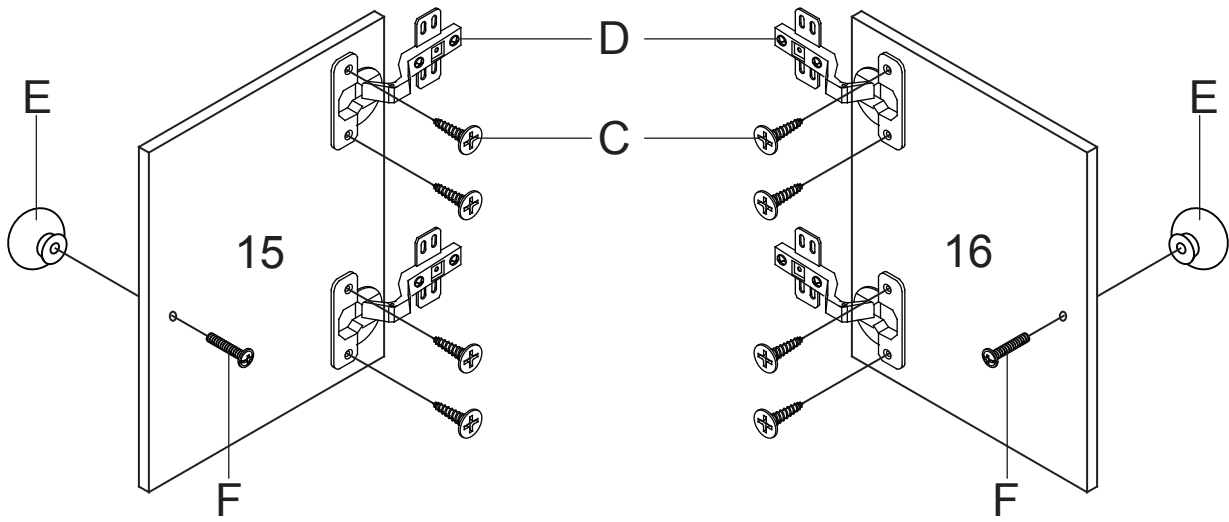


6

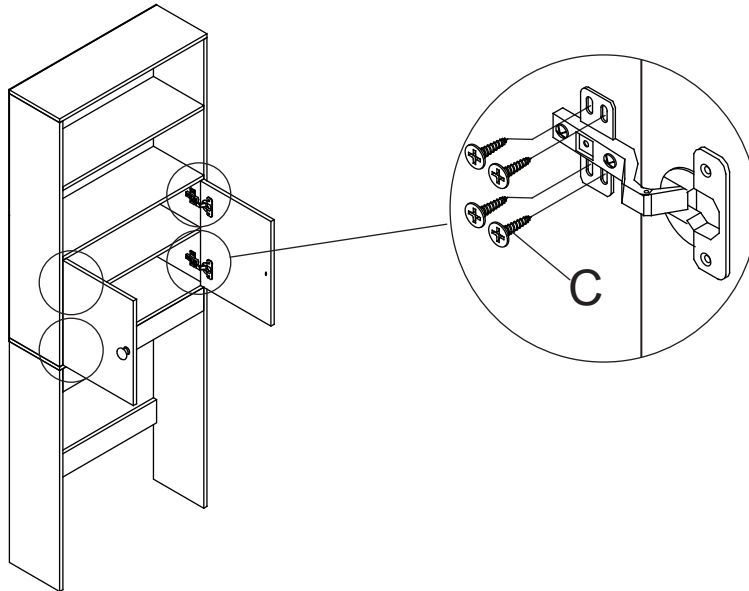




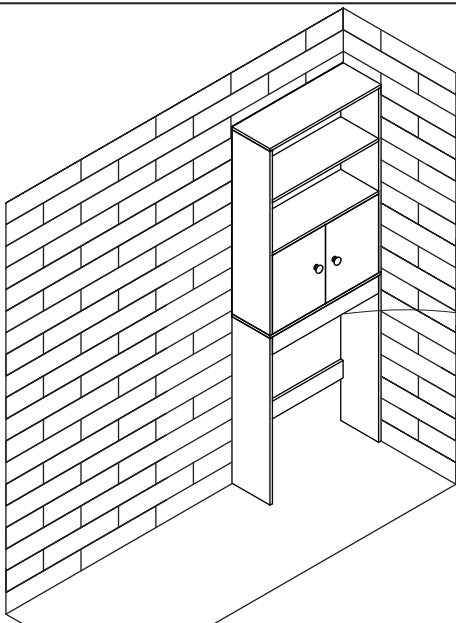
13



14



15



Please make sure to fix on the wall for avoiding falling down

