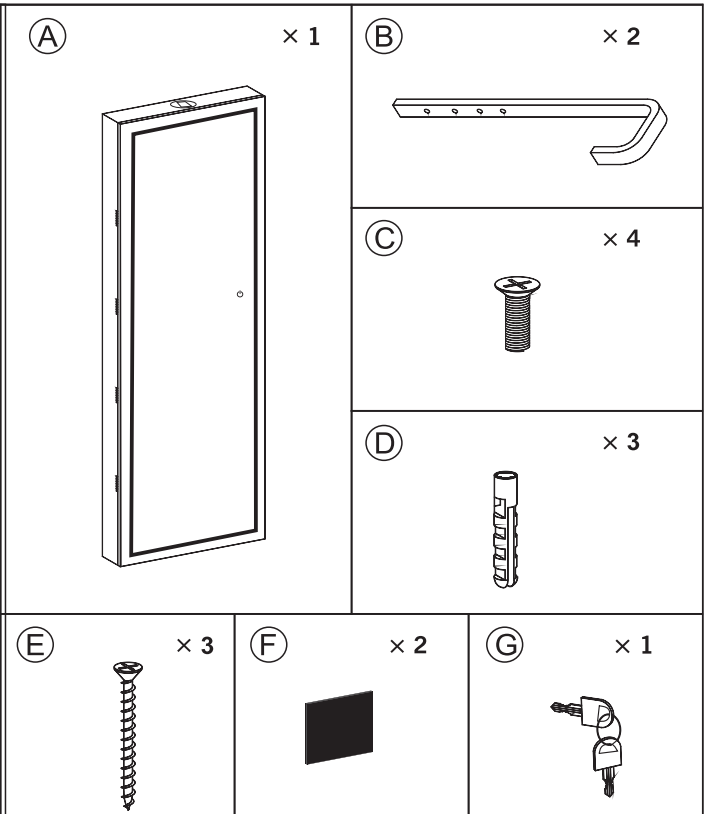
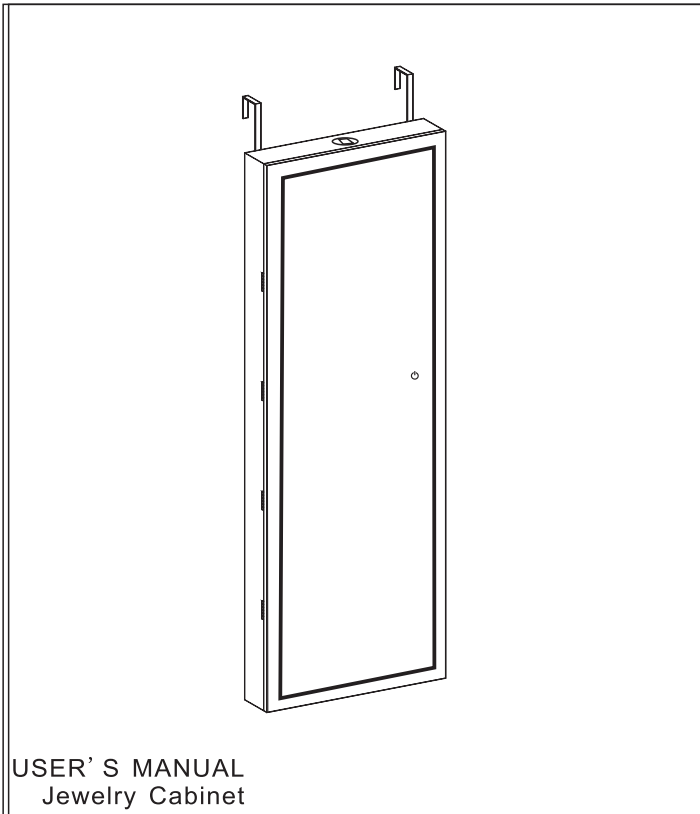
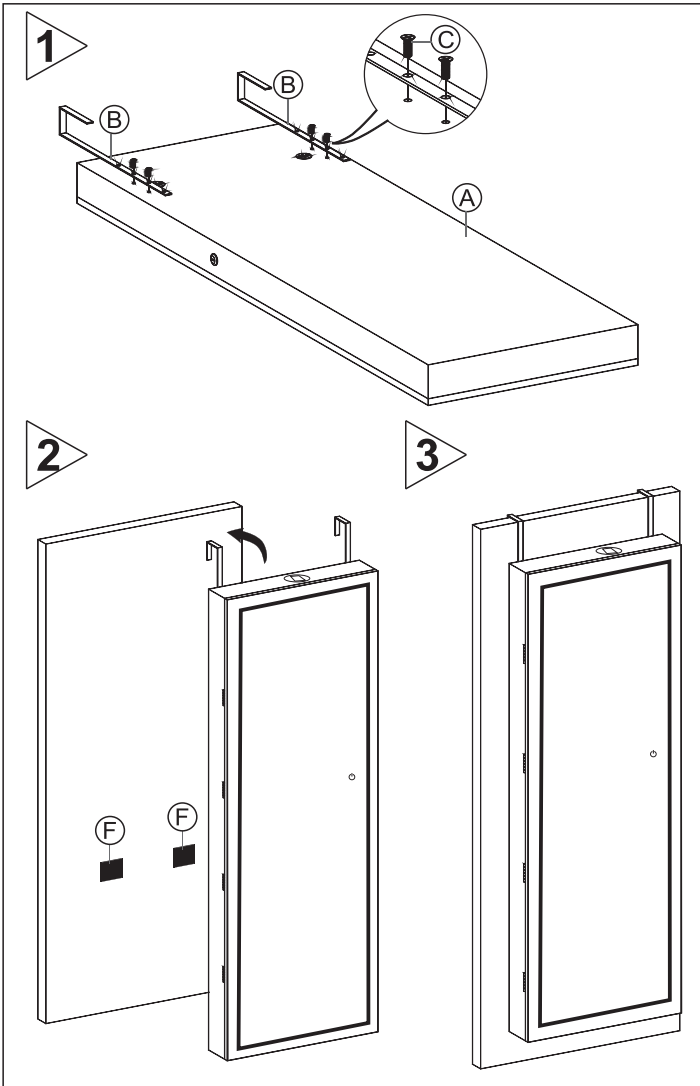


# ASSEMBLY INSTRUCTIONS-JC653



## Method 1



## Method 2

