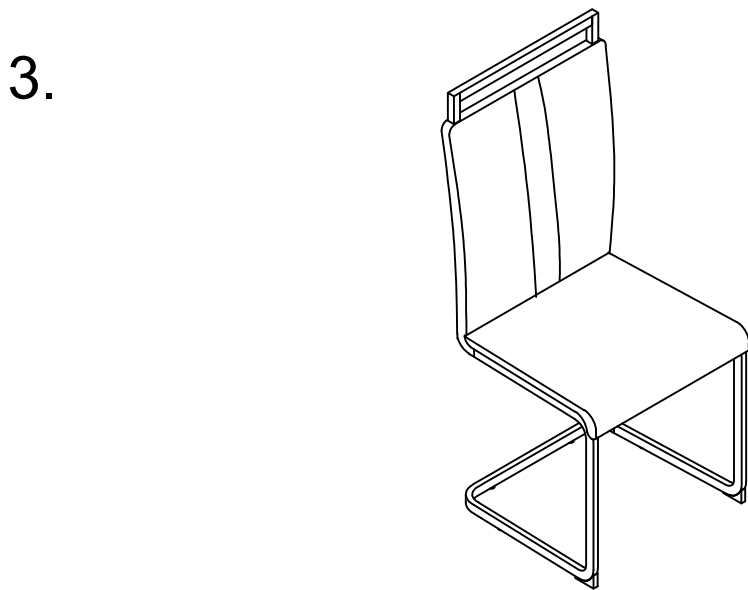
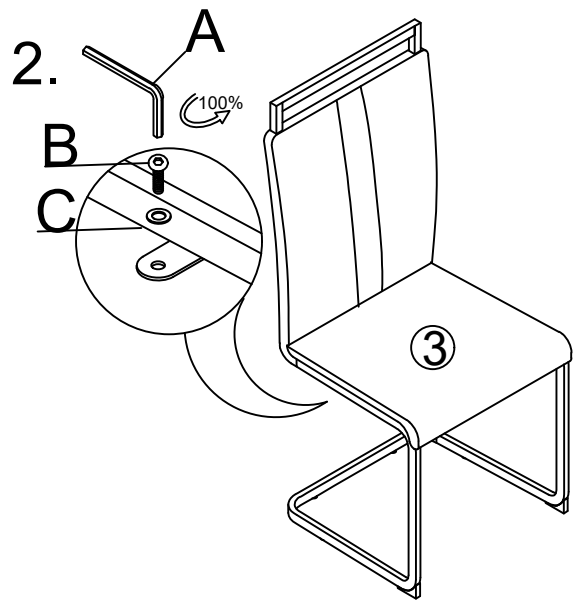
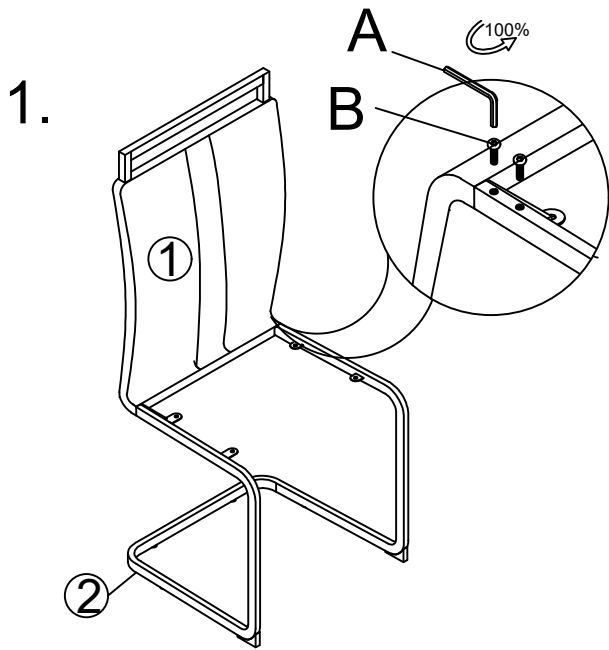
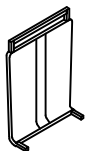


ASSEMBLY INSTRUCTION

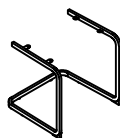


①



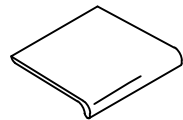
X1

②



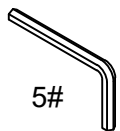
X1

③



X1

A



5#

X1

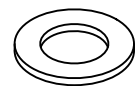
B



M6X18

X8

C



M6X16

X4