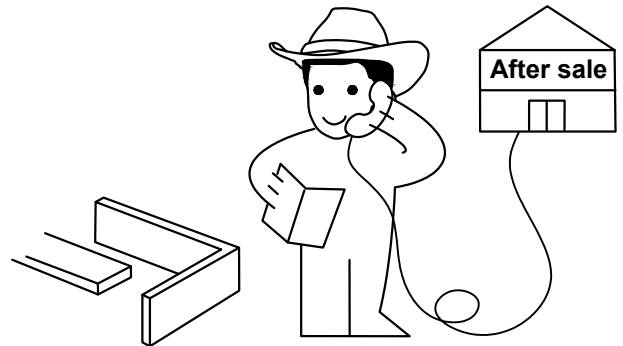
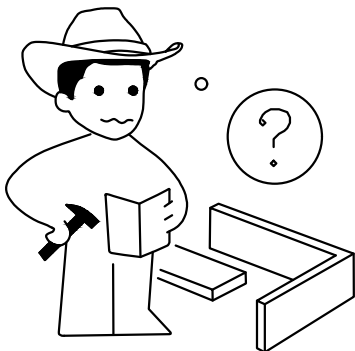
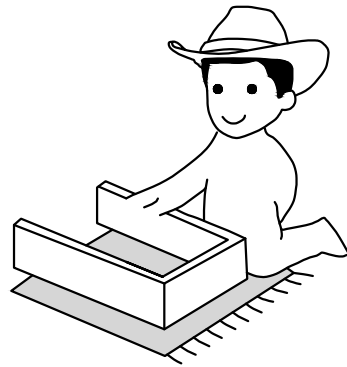
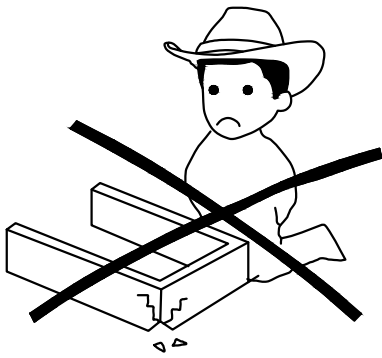
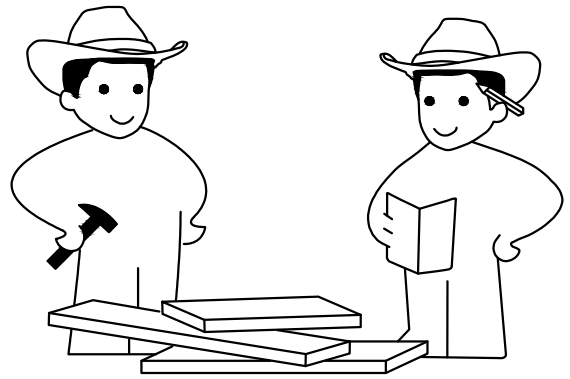
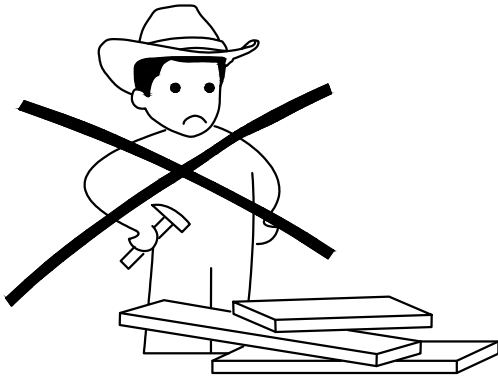
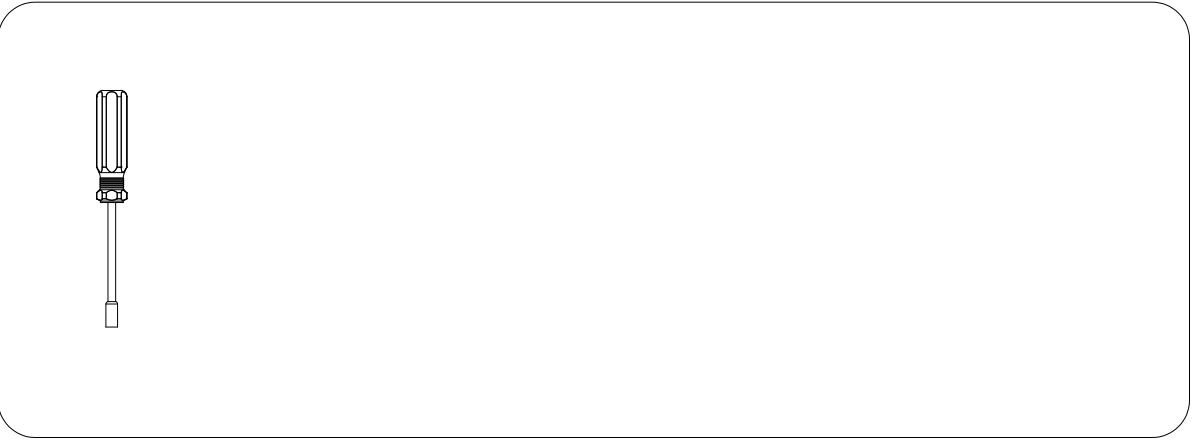
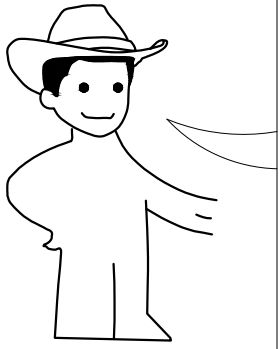
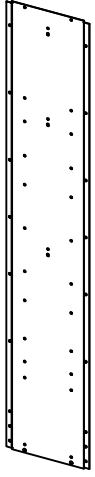


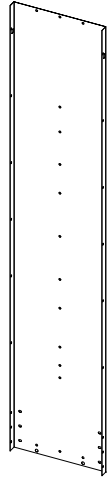
Installation video



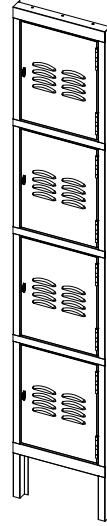
1×2pcs



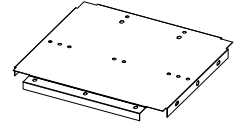
2×1pcs



3×1pcs



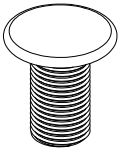
4×6pcs



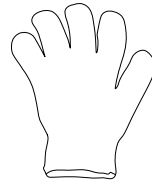
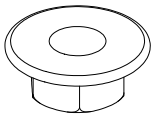
5×2pcs

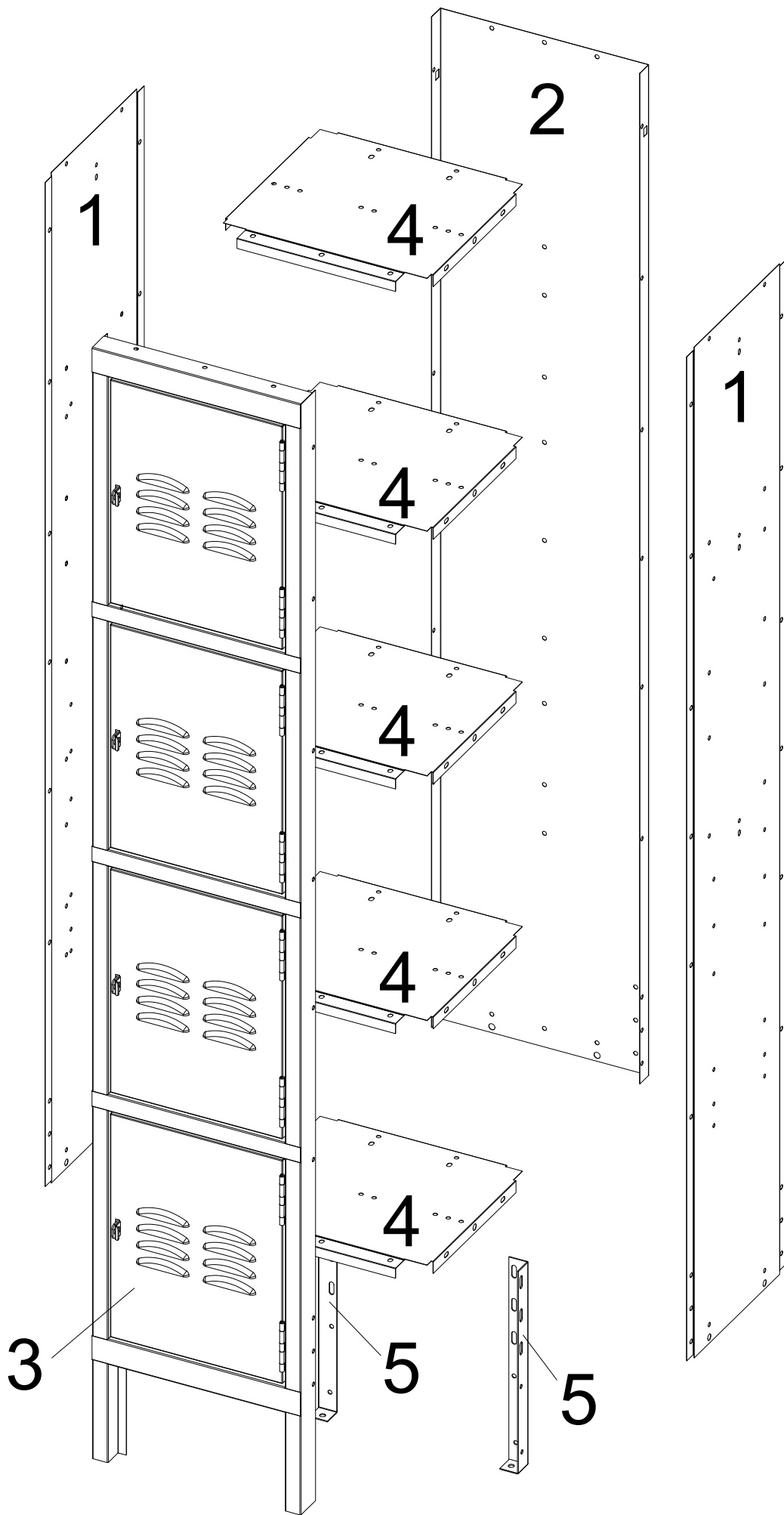


A×78pcs

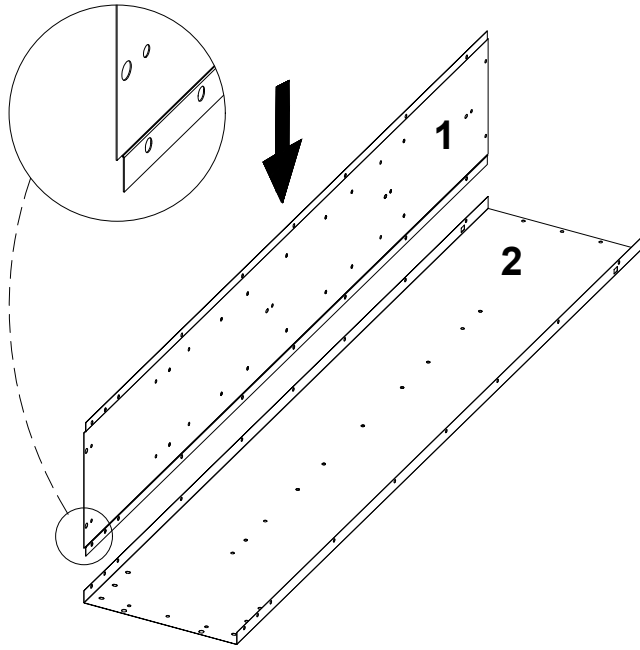


B×78pcs

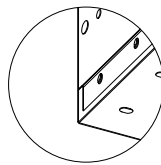
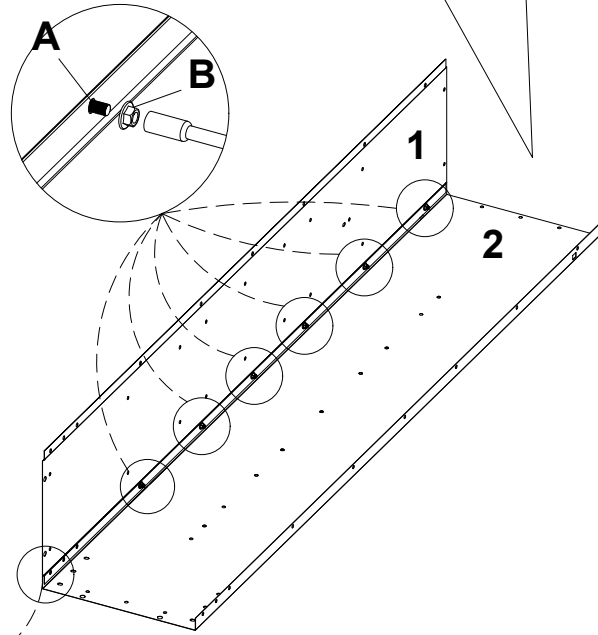




1



put six bolts and nuts to hold part 1 and 2 into place.

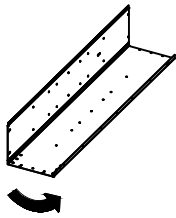


A×6

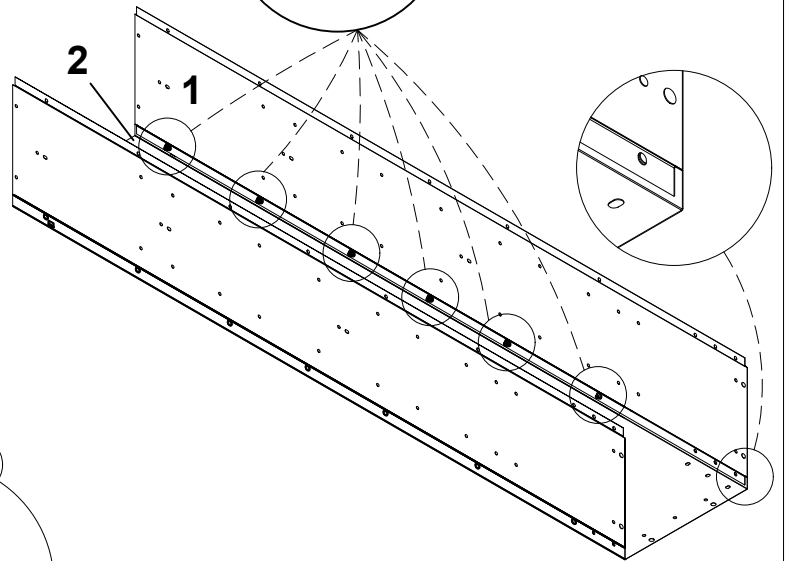
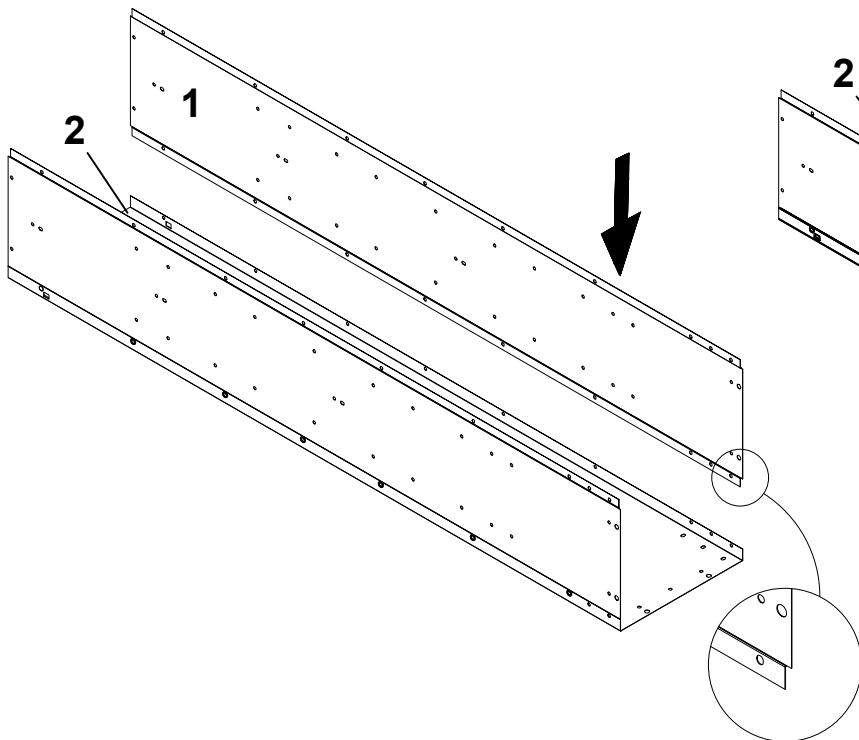
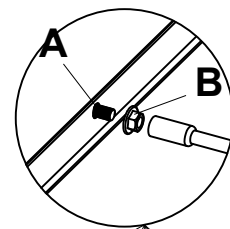


B×6

2



put six bolts and nuts to hold part 1 and 2 into place.

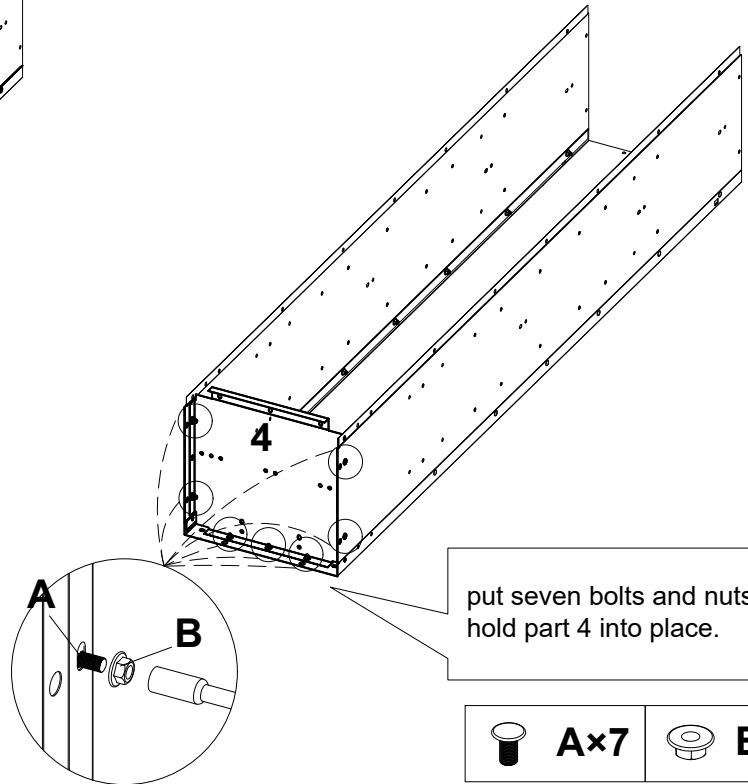
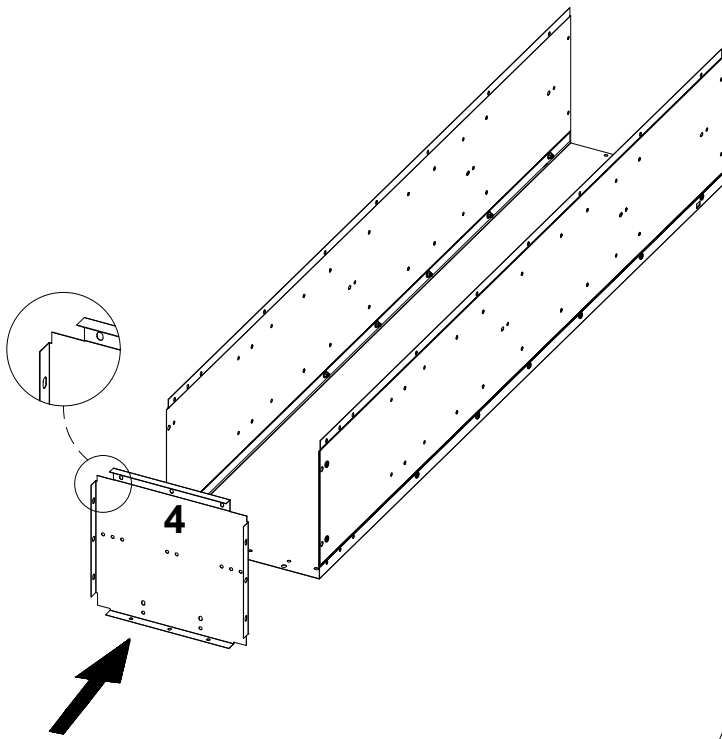


A×6

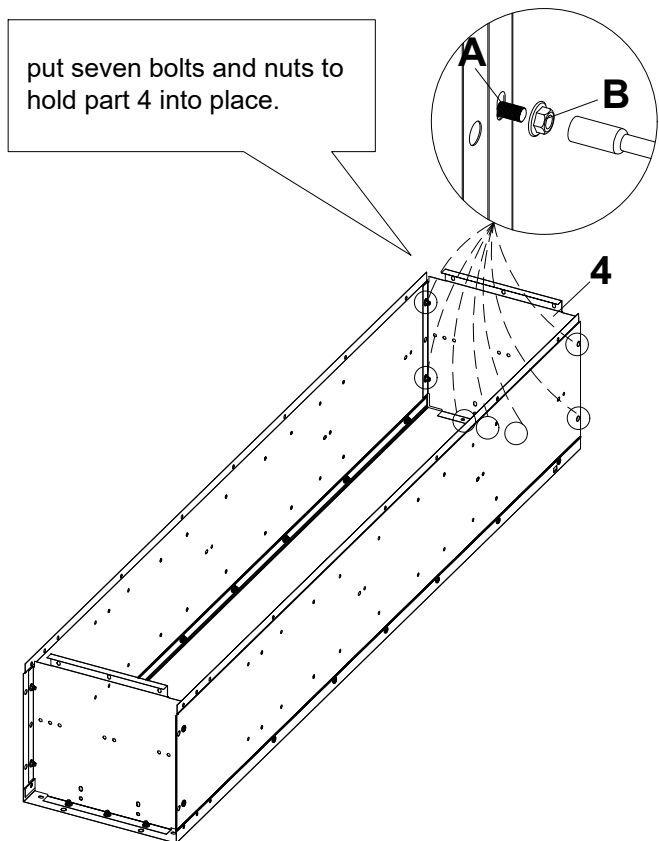
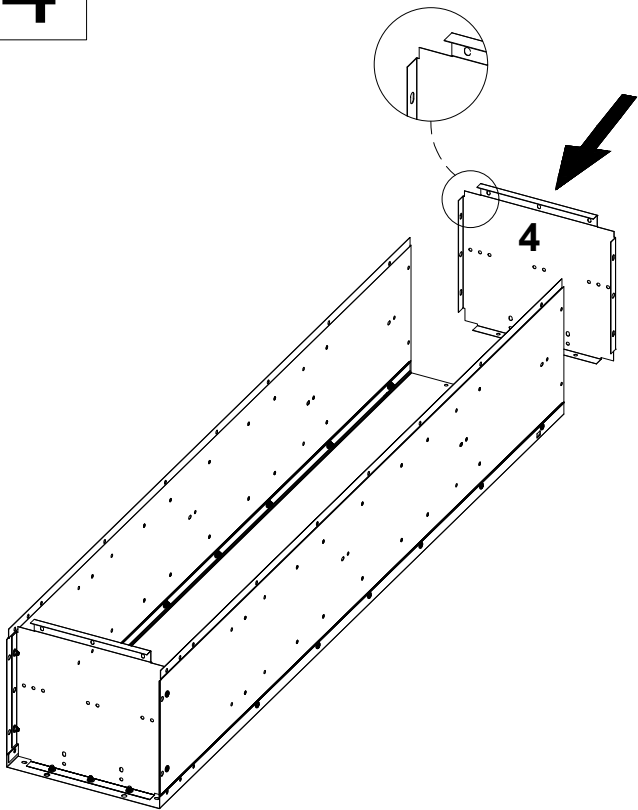


B×6

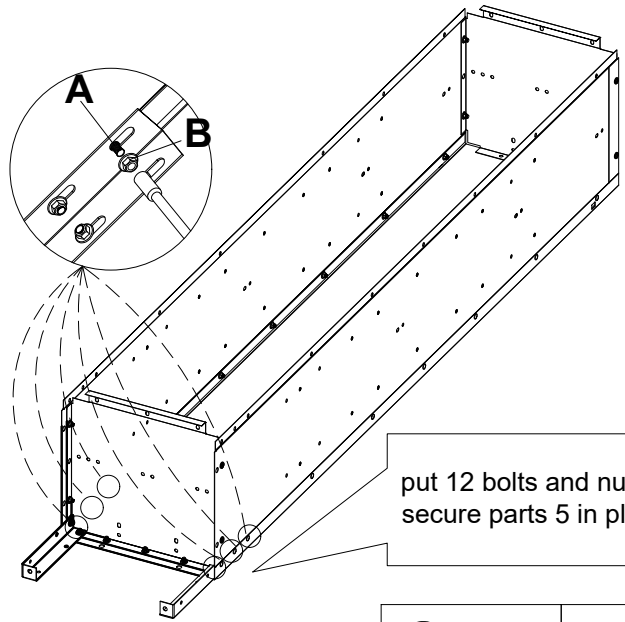
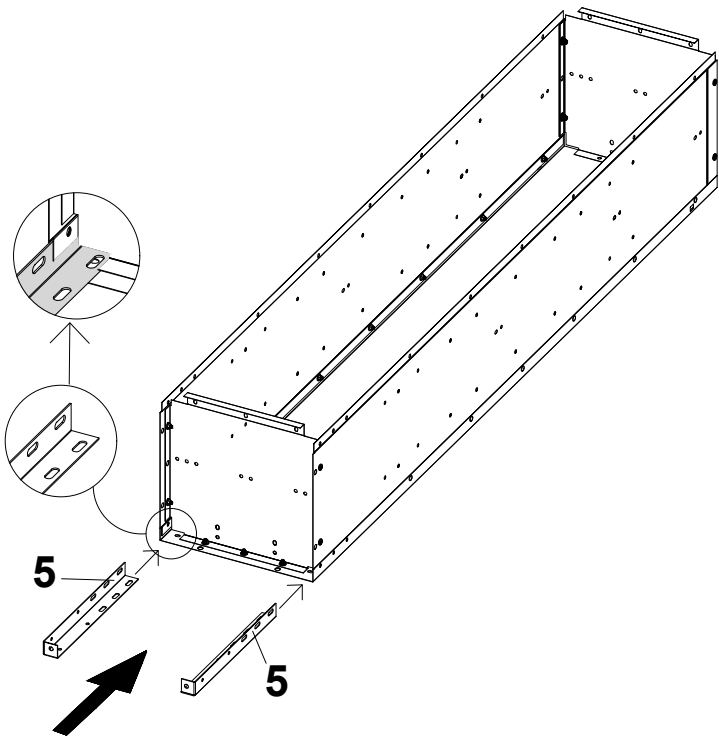
3





4



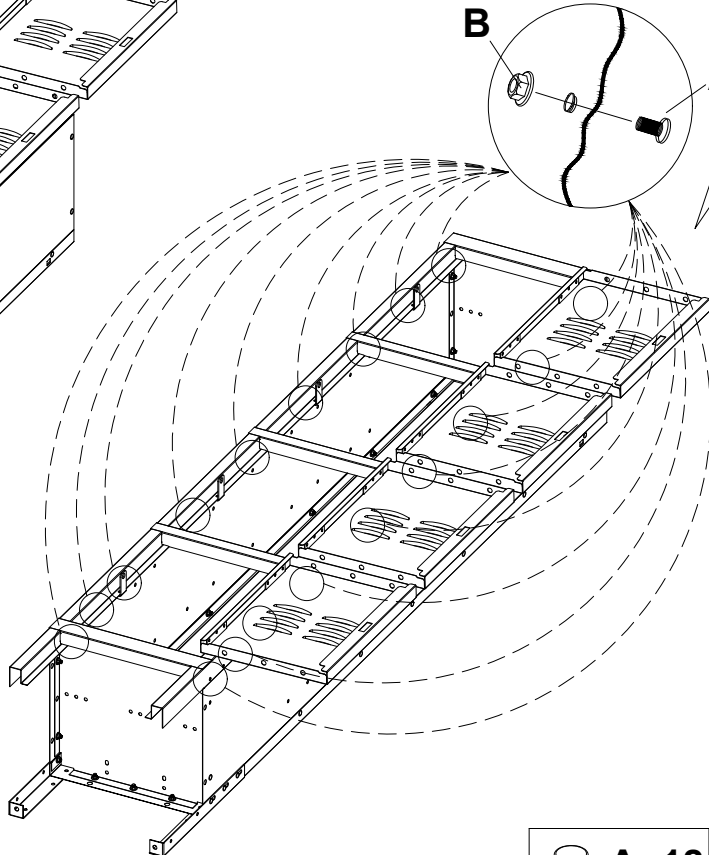
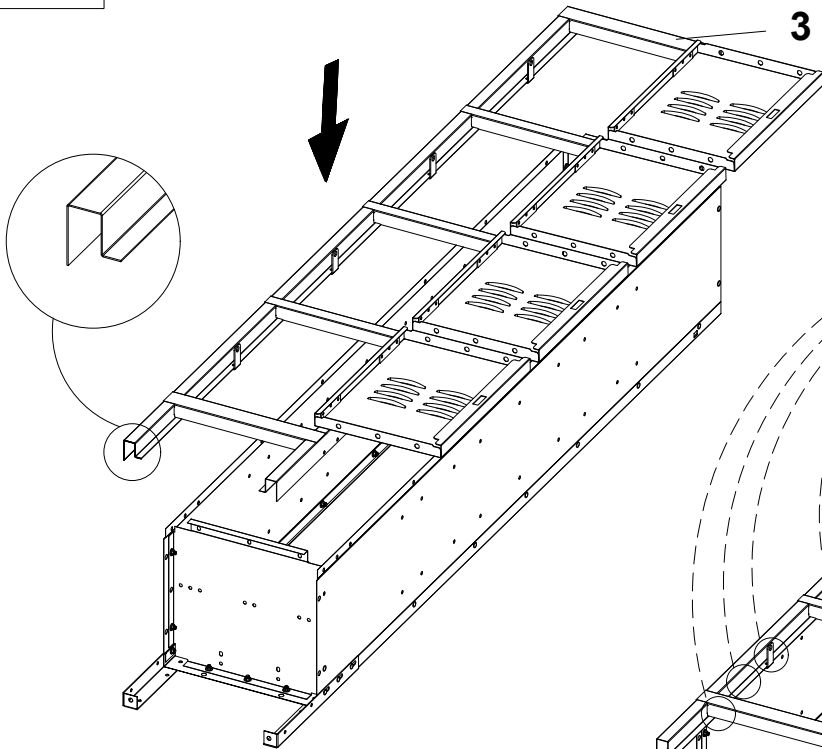
5





put 12 bolts and nuts to secure parts 5 in place.

 **A×12**  **B×12**

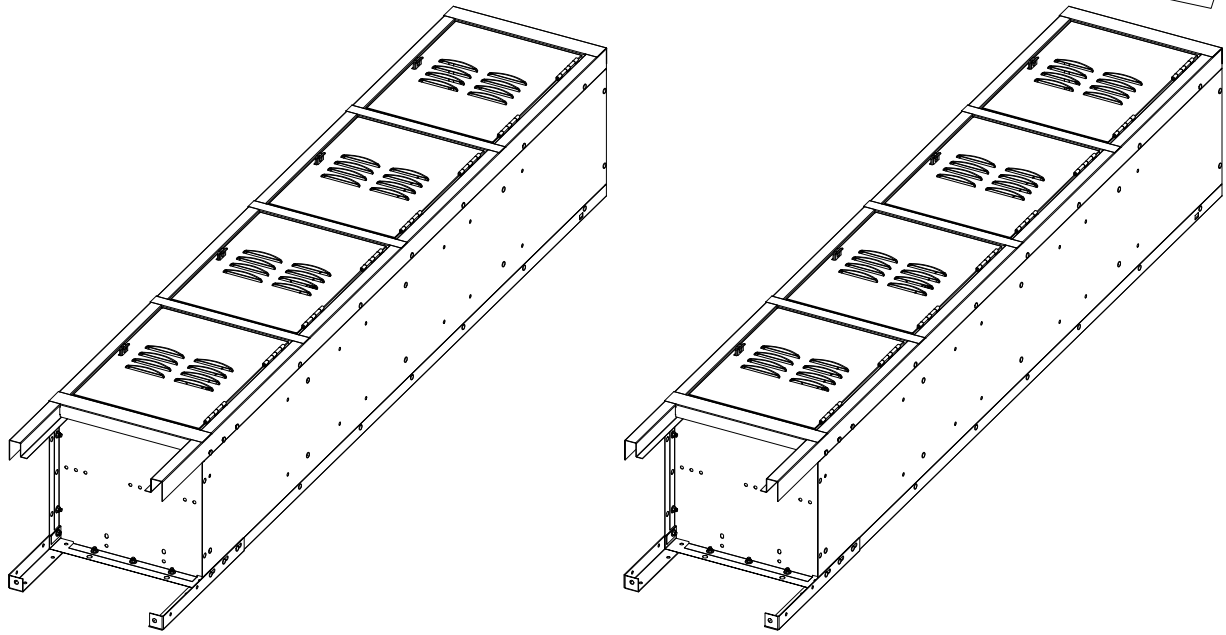
6



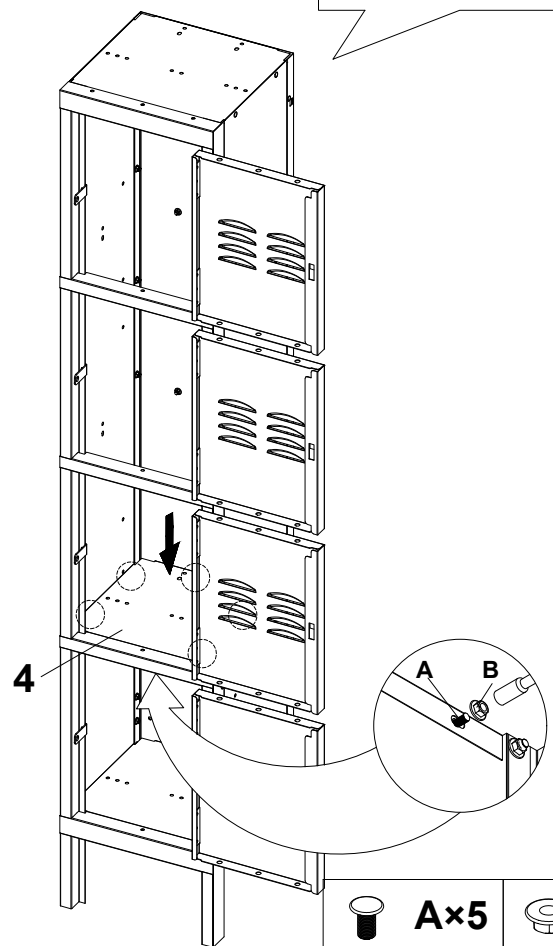
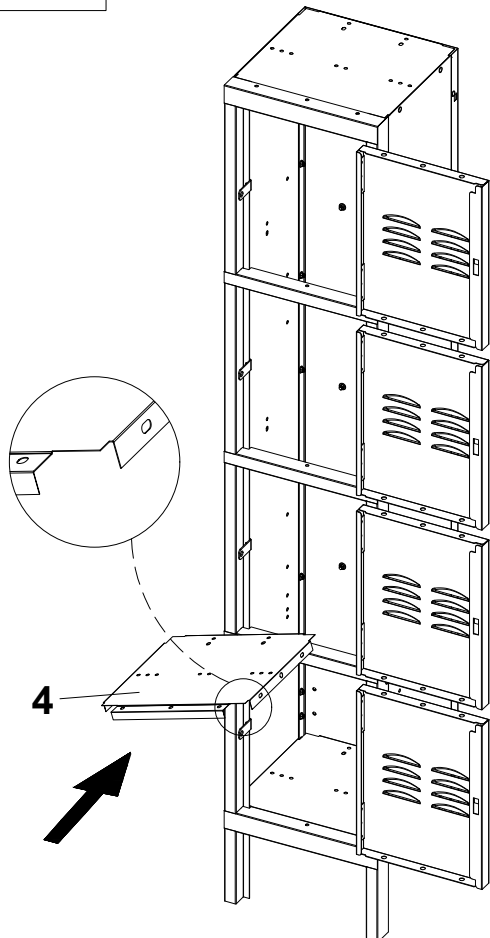
put eighteen bolts and nuts to hold part 3 into place.

 **A×18**  **B×18**

7



8



put five bolts and nuts to hold part 4 into place.

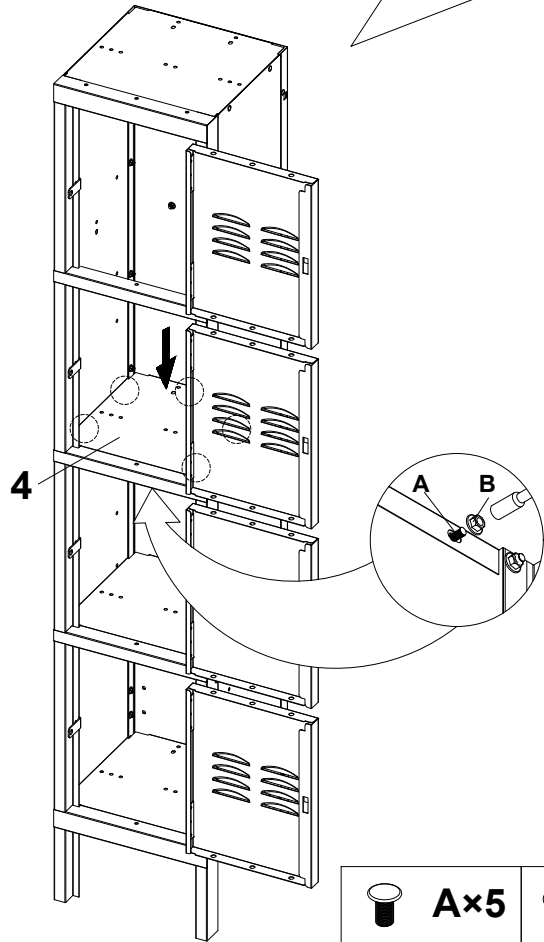
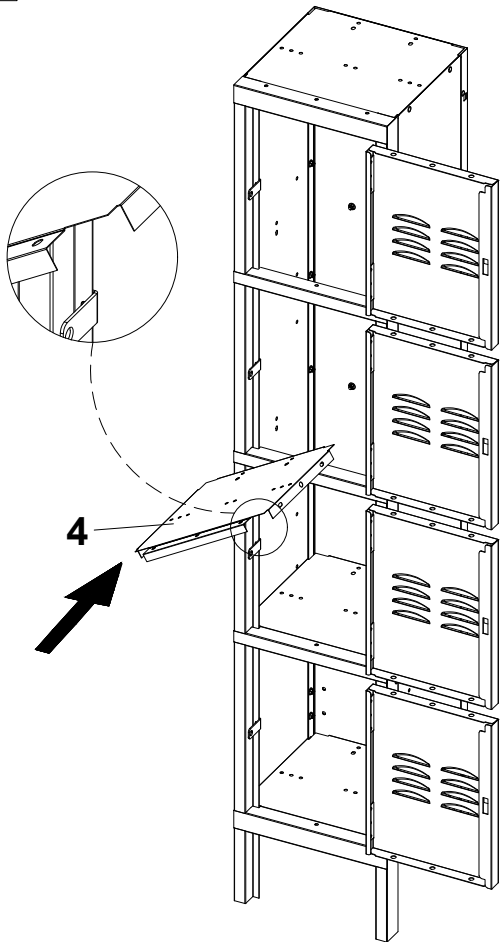


A x5



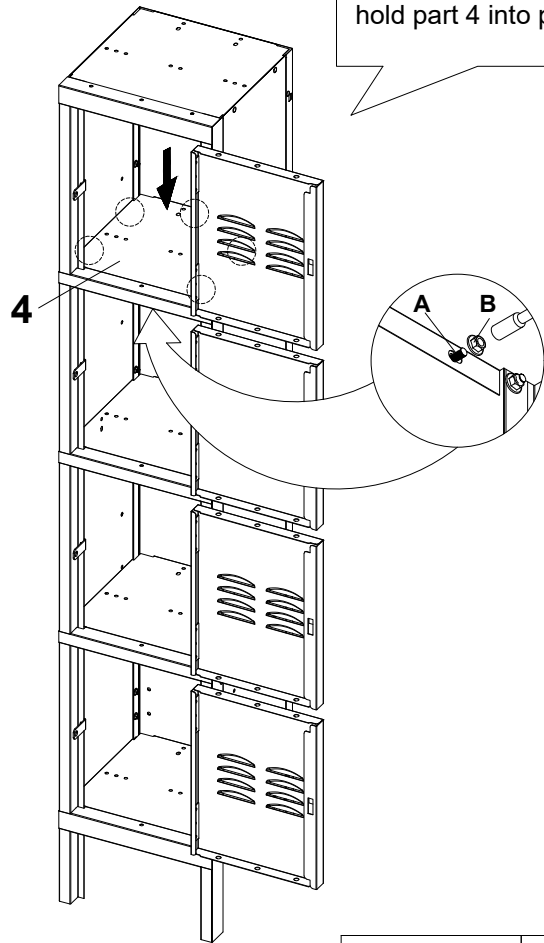
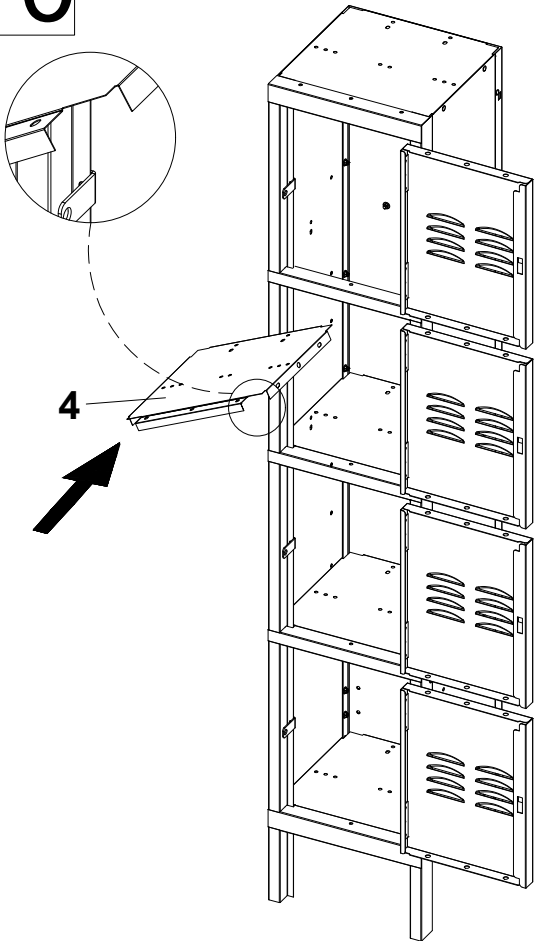
B x5

9



 **Ax5**  **Bx5**

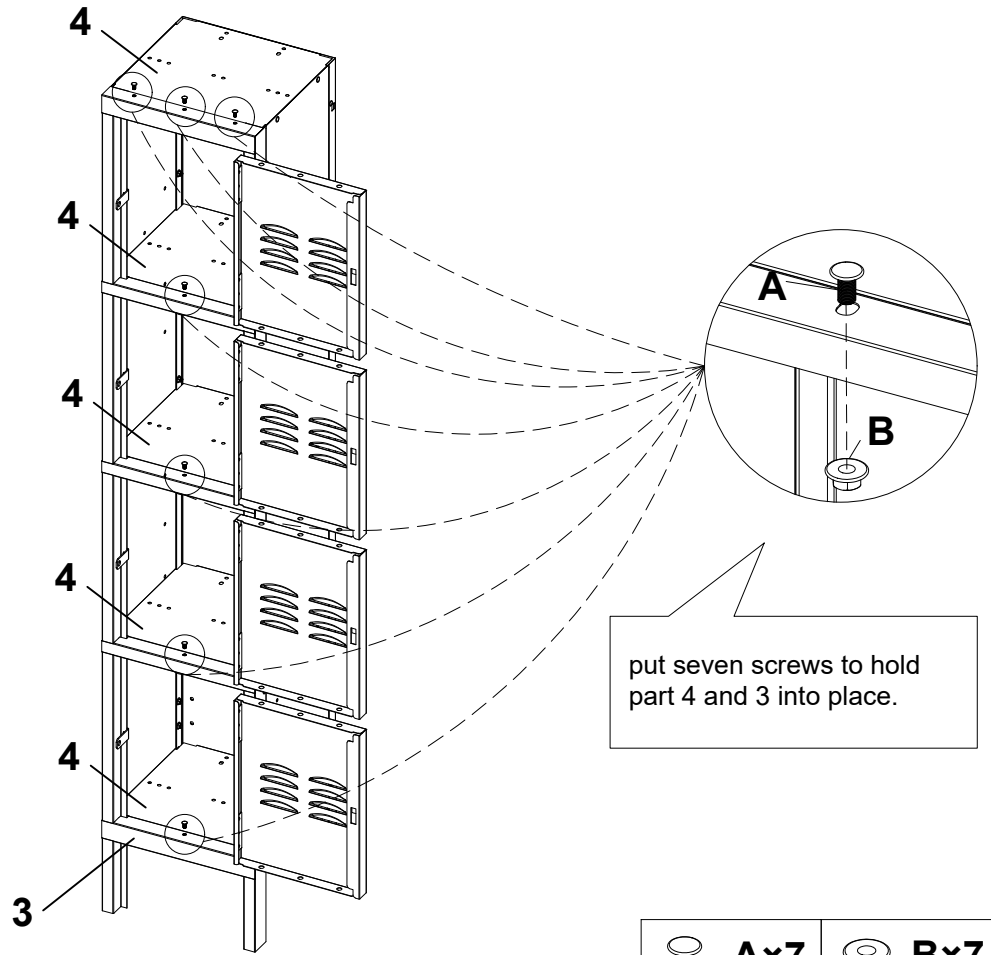
10



put five bolts and nuts to hold part 4 into place.

 **Ax5**  **Bx5**

11



12

