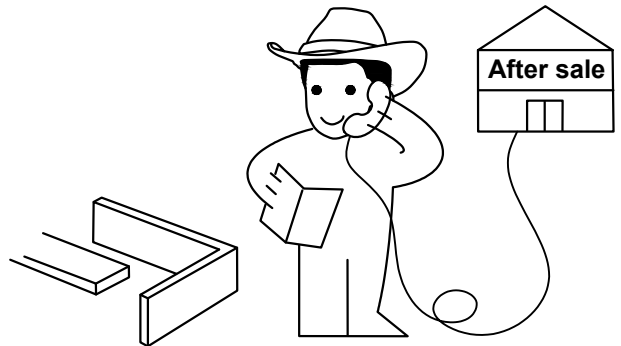
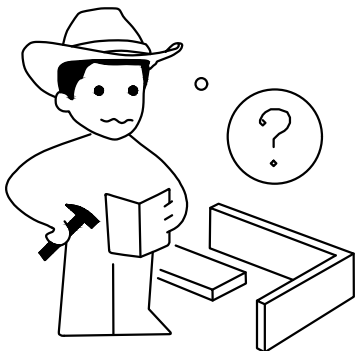
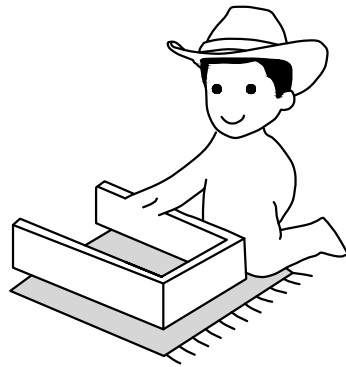
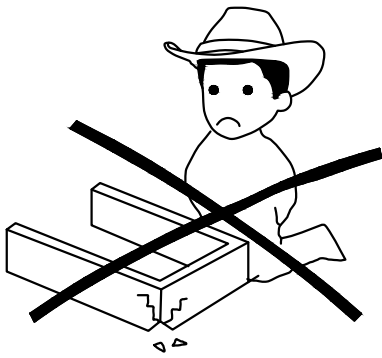
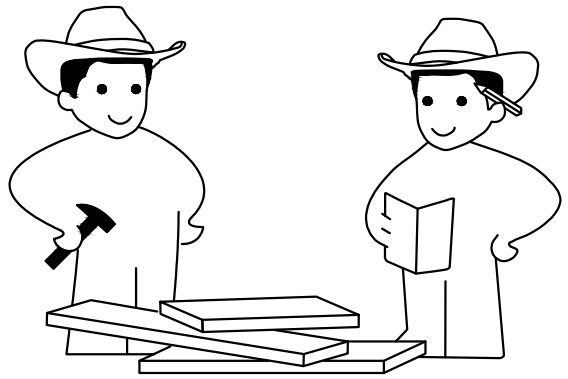
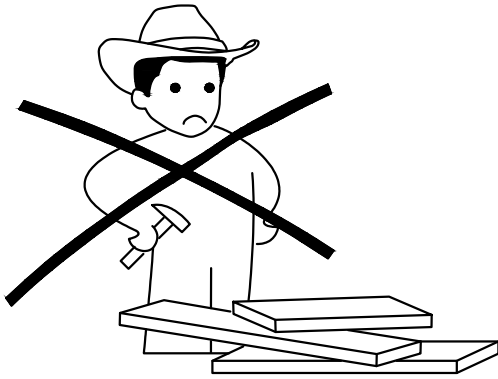
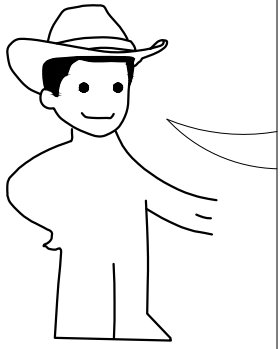
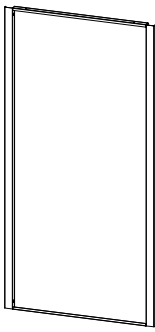
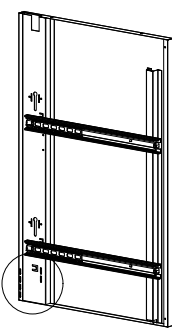

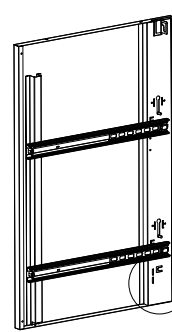
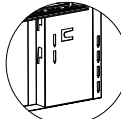
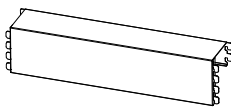
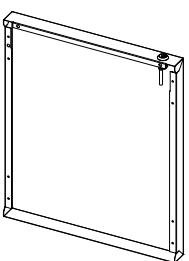

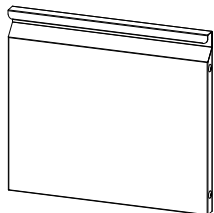
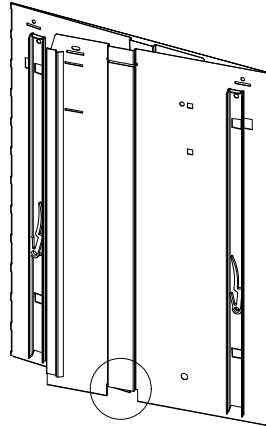
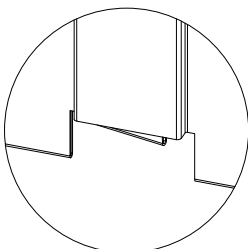

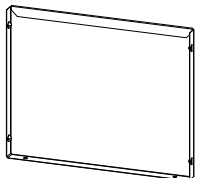
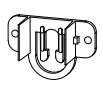



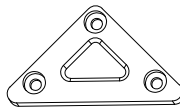

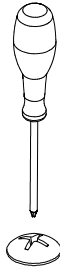
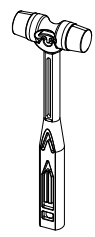

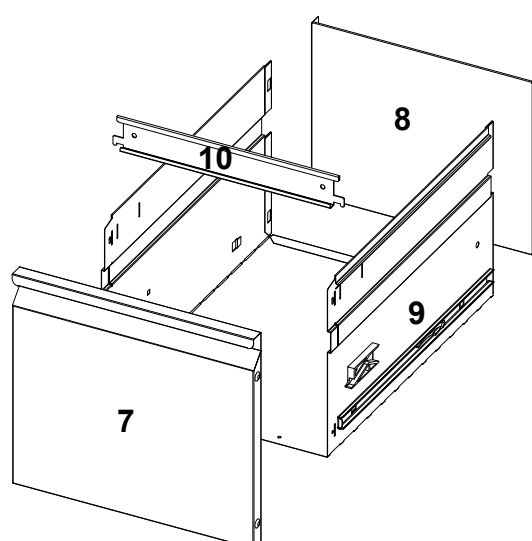
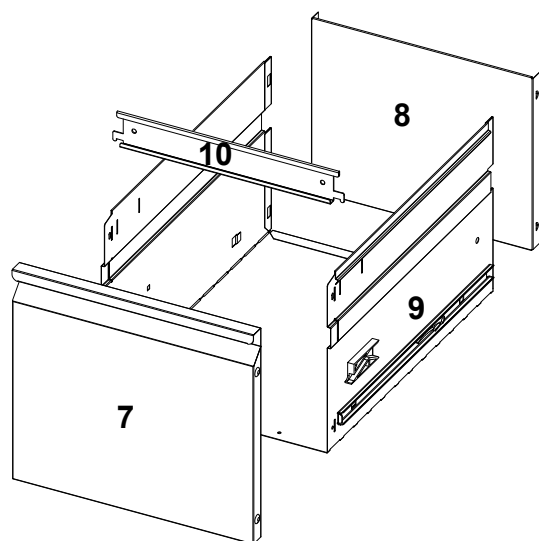
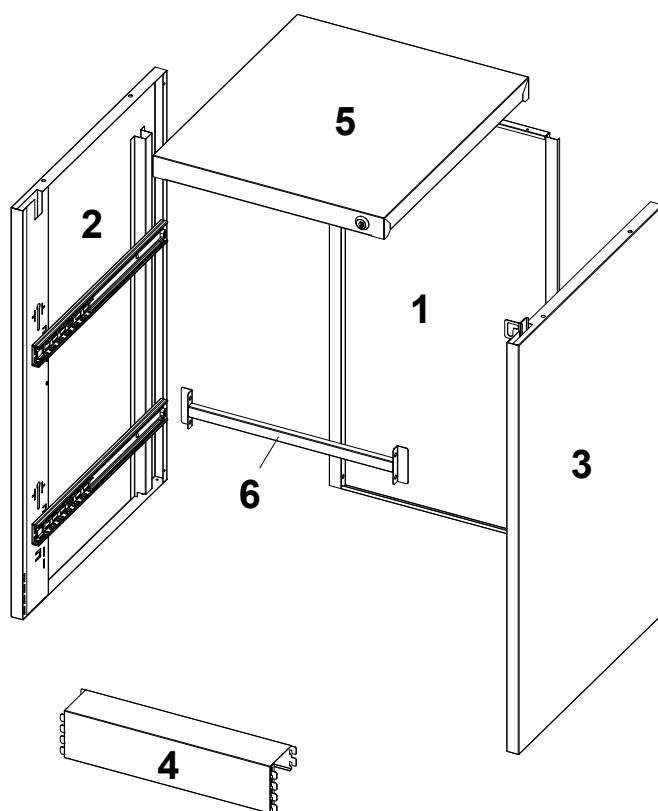


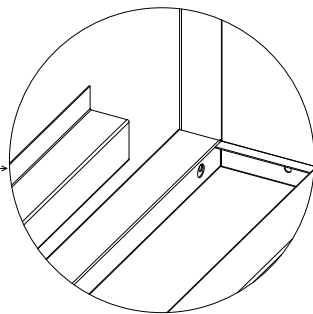
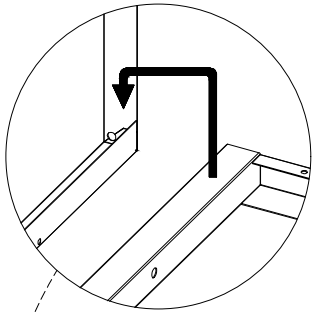
Installation video



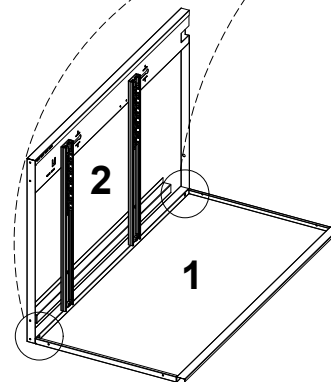
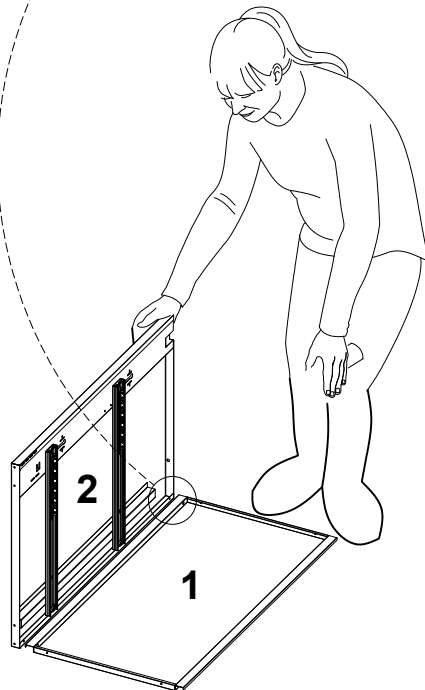
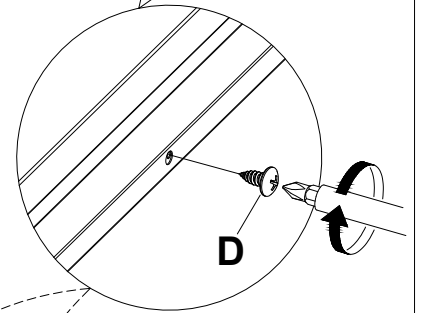
<p>1x1</p> 	<p>2x1</p>  	<p>3x1</p>  	<p>4x1</p>  <p>5x1</p> 				
<p>6x1</p> 	<p>7x2</p> 	<p>9x2</p>  					
<p>10x2</p> 	<p>8x2</p> 						
<p>Ax1</p> 	<p>Bx2</p>  <p>M4x 16mm 0.6inch</p>	<p>Cx12</p>  <p>M4x 8mm 0.3inch</p>	<p>Dx24</p>  <p>M5x 12mm 0.47inch</p>	<p>Ex4</p> 			
							



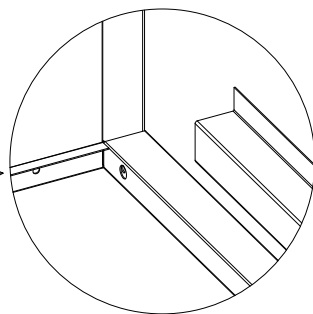
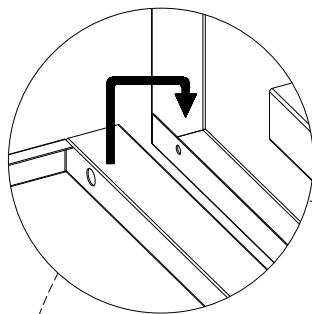
1



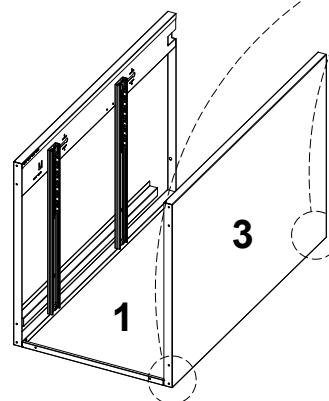
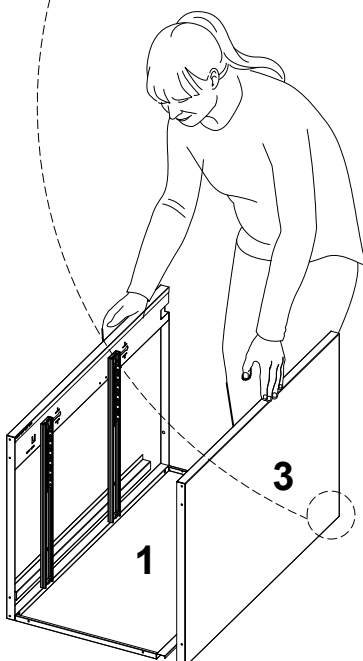
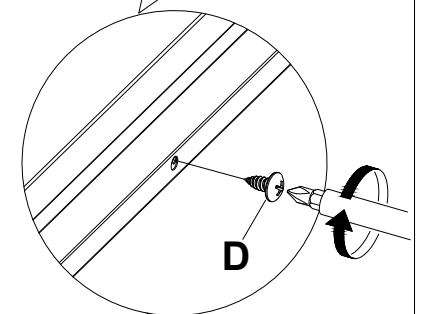
put two screws to hold part 1 and 2 into place.



2

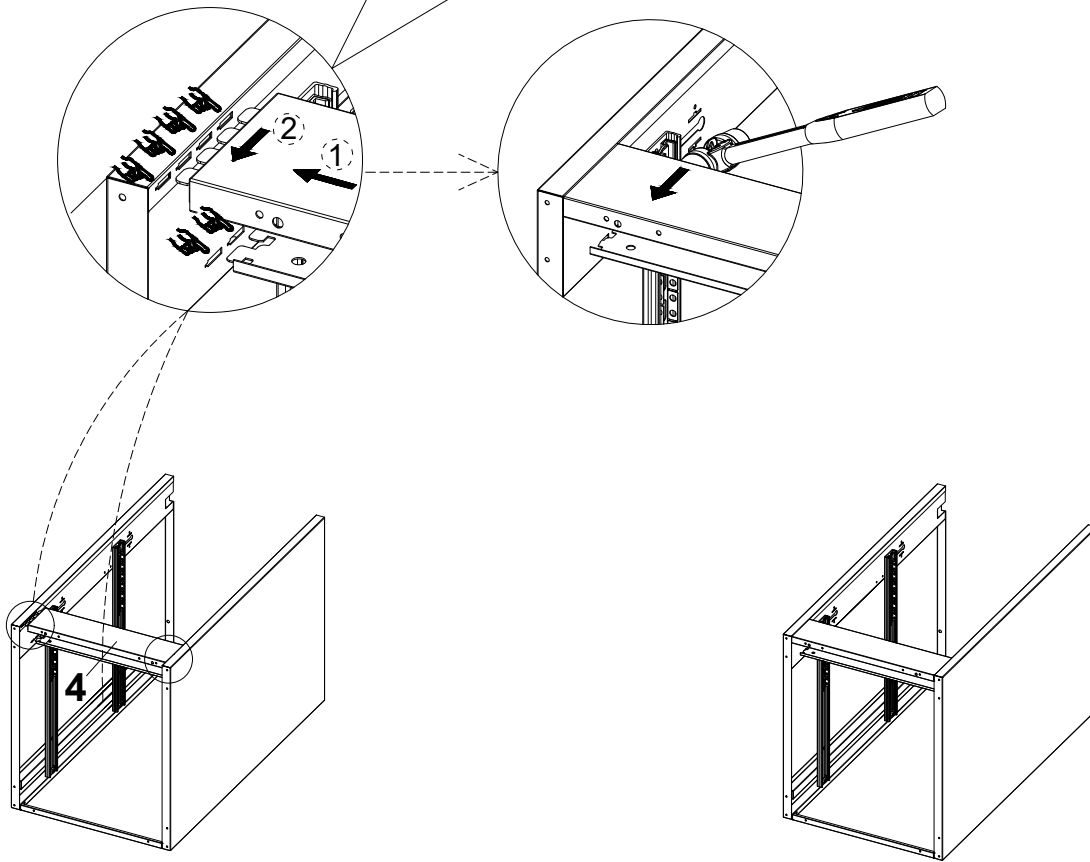
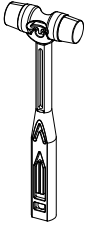


put two screws to hold part 1 and 3 into place.

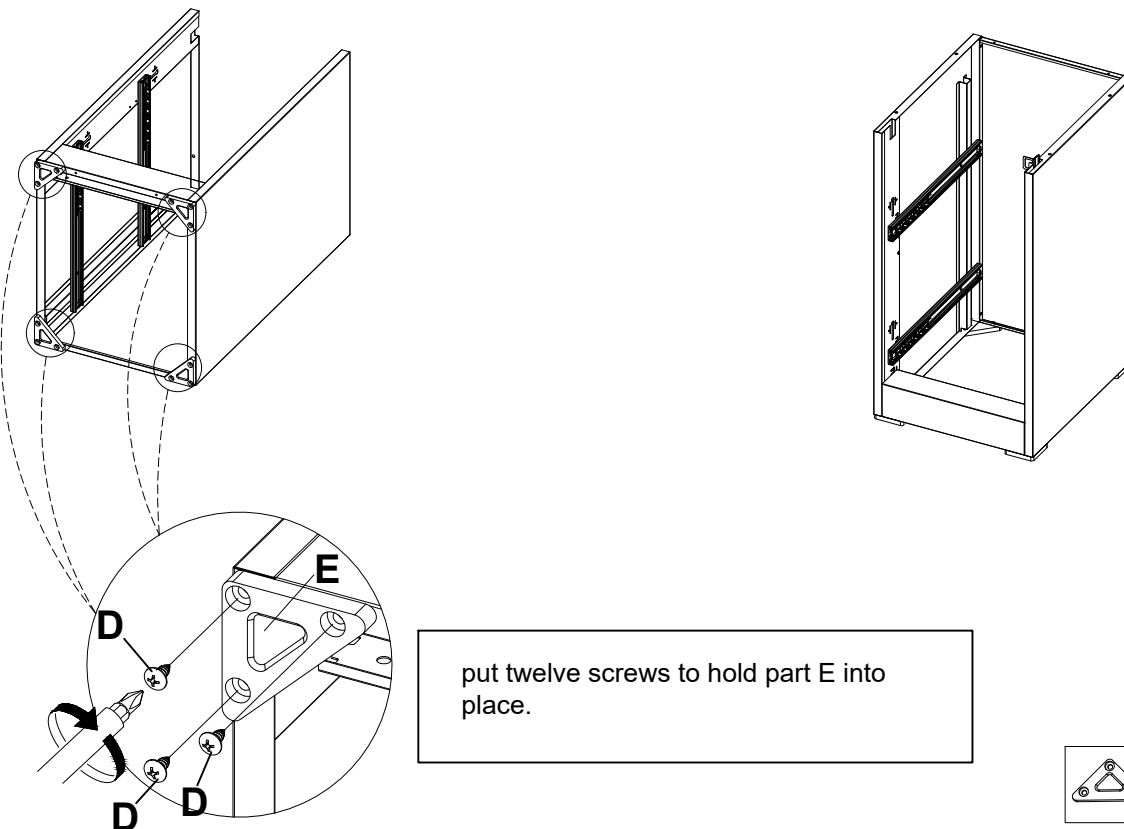
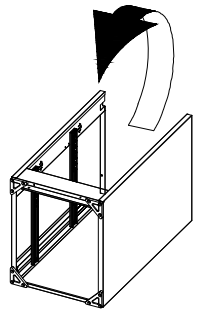


3

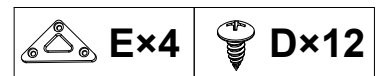
Top down with a soft hammer until it is flat with the bottom of the side panel



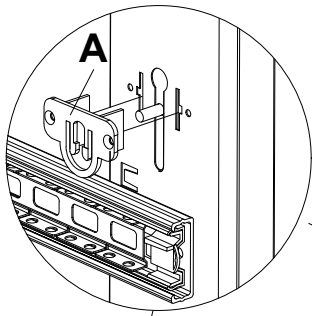
4



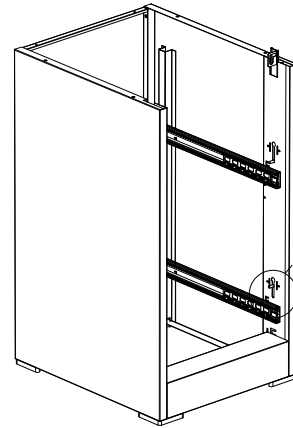
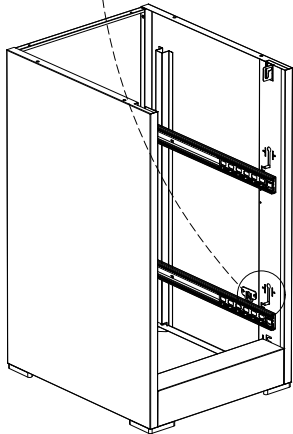
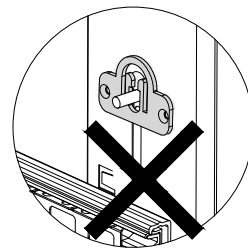
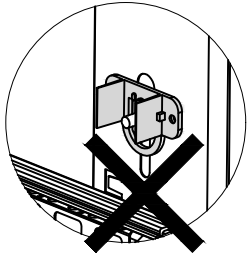
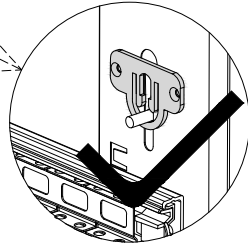
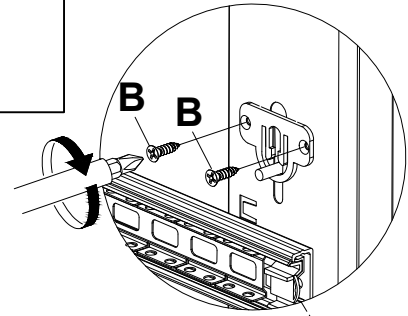
put twelve screws to hold part E into place.

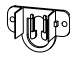



5



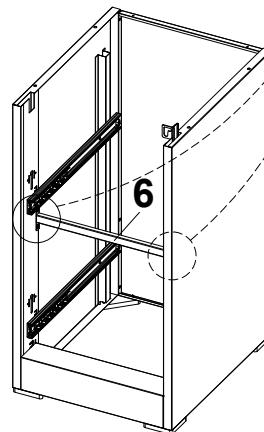
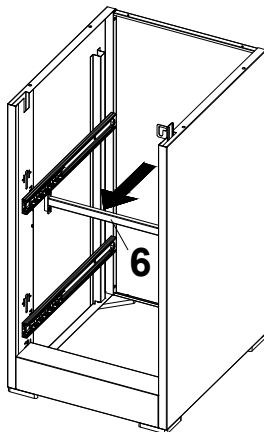
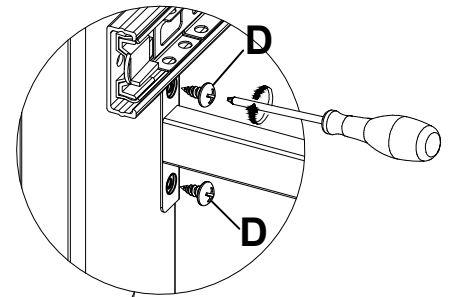
Fix part A with screw B and pay attention to the direction.



 **A×1**  **B×2**

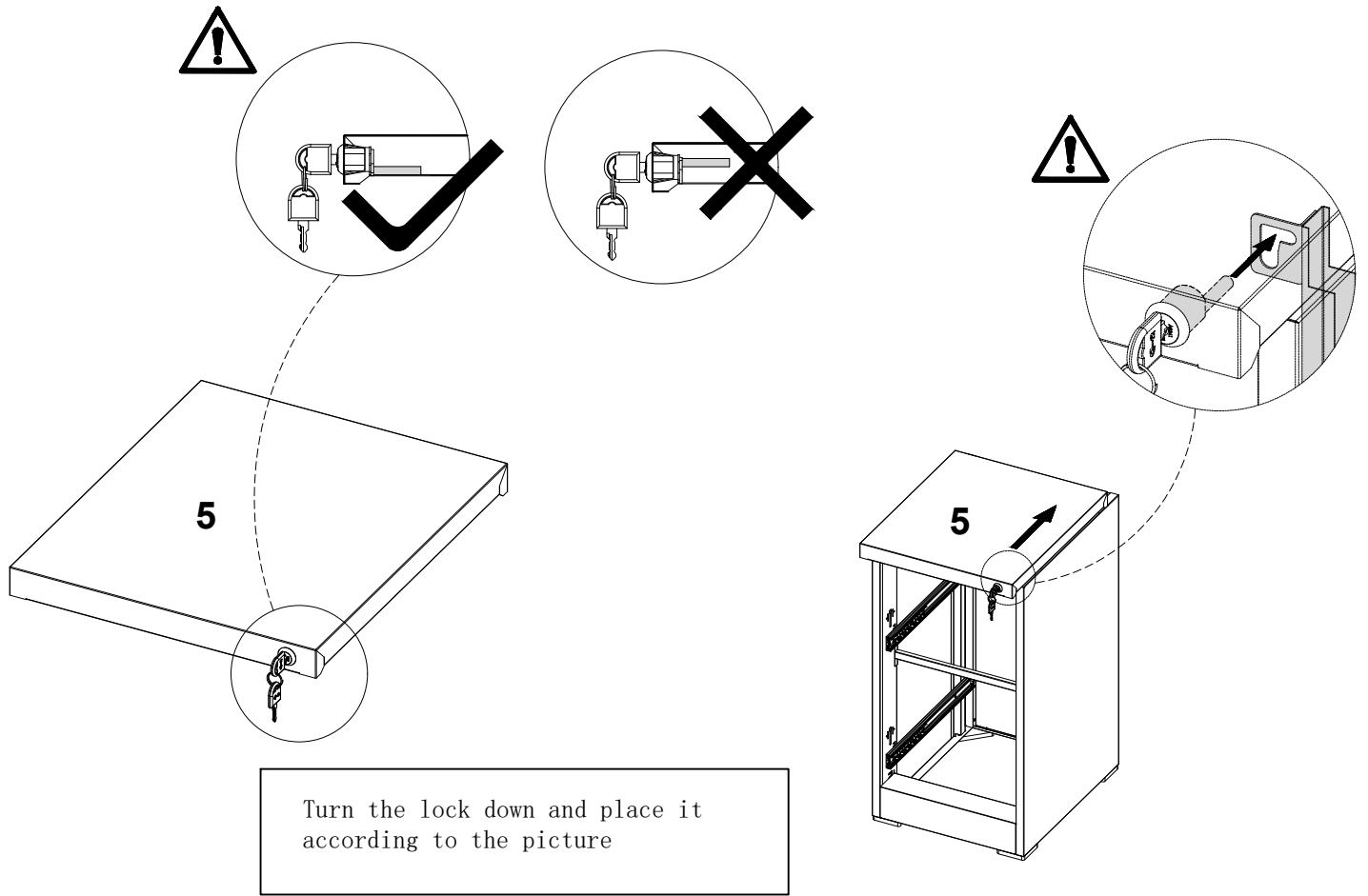
6

put four screws to hold part 6 into place.



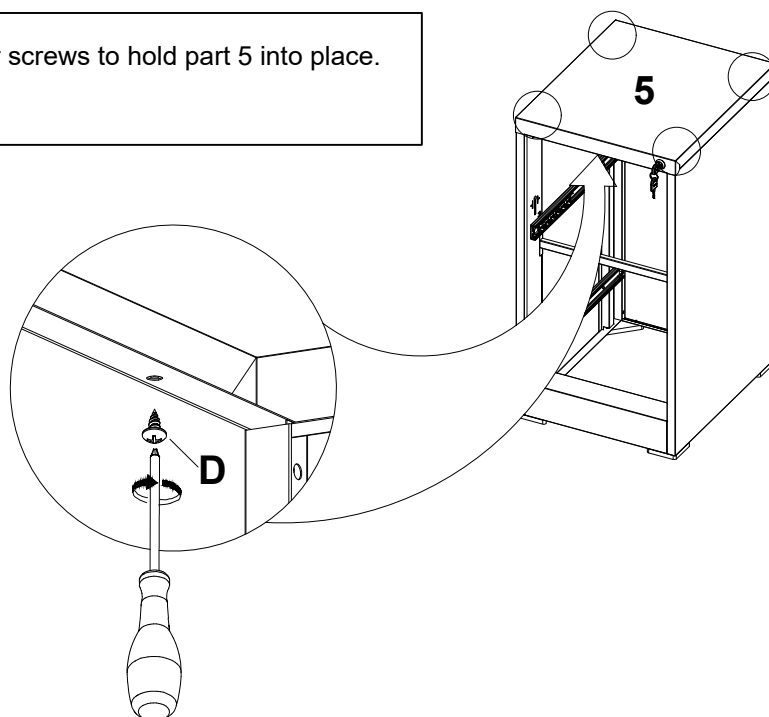
 **D×4**

7

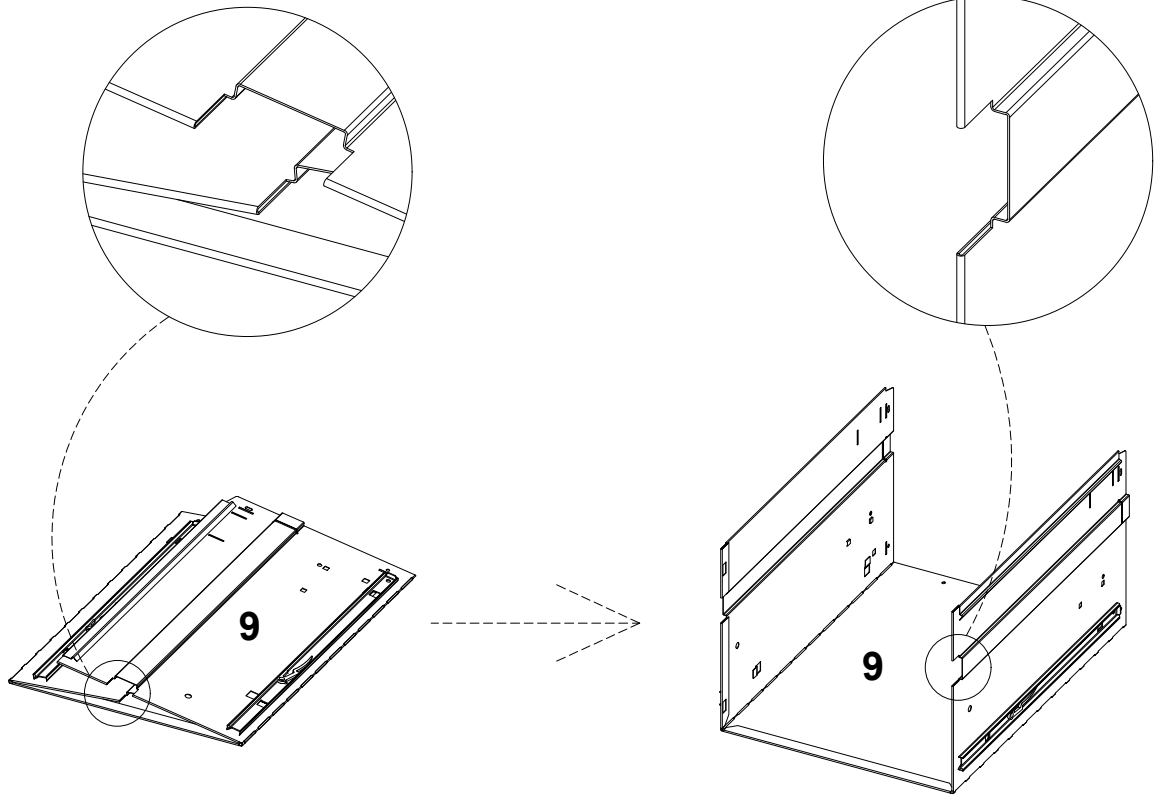


8

put four screws to hold part 5 into place.

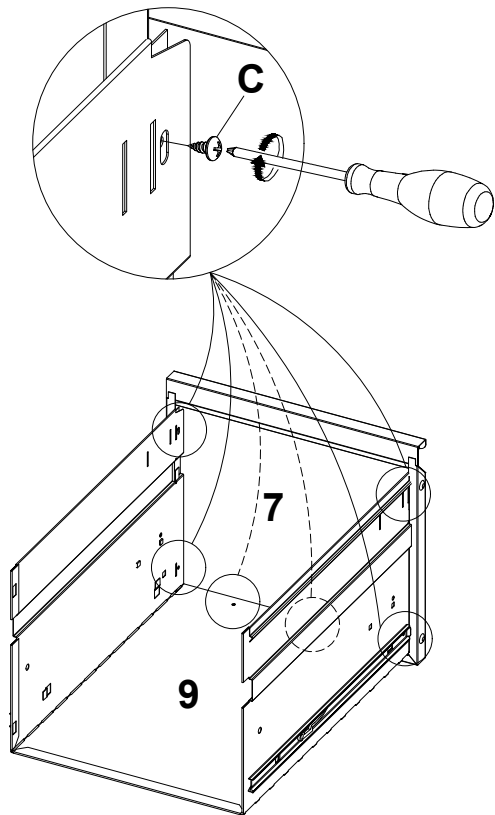


9



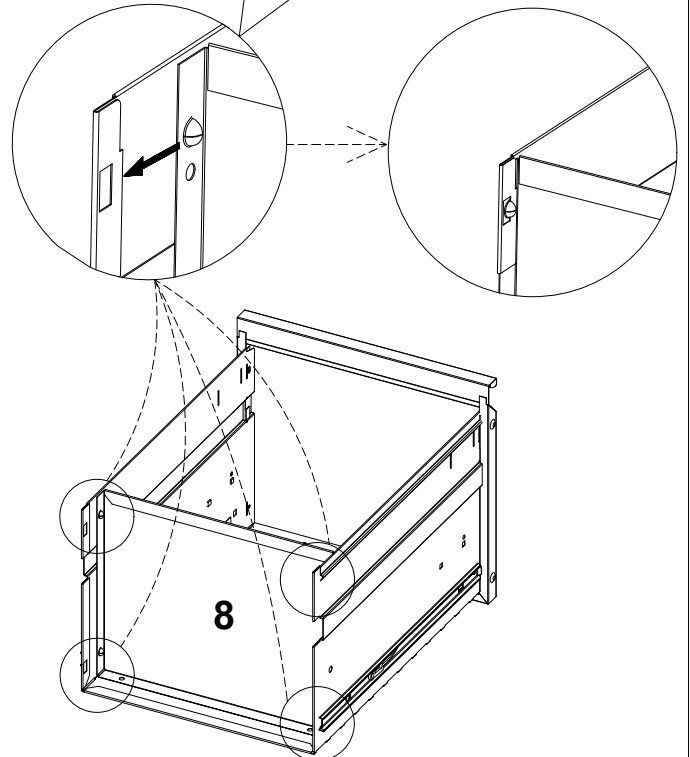
Bend the side walls of the drawer to vertical

10



put six screws to hold part 9 into place.

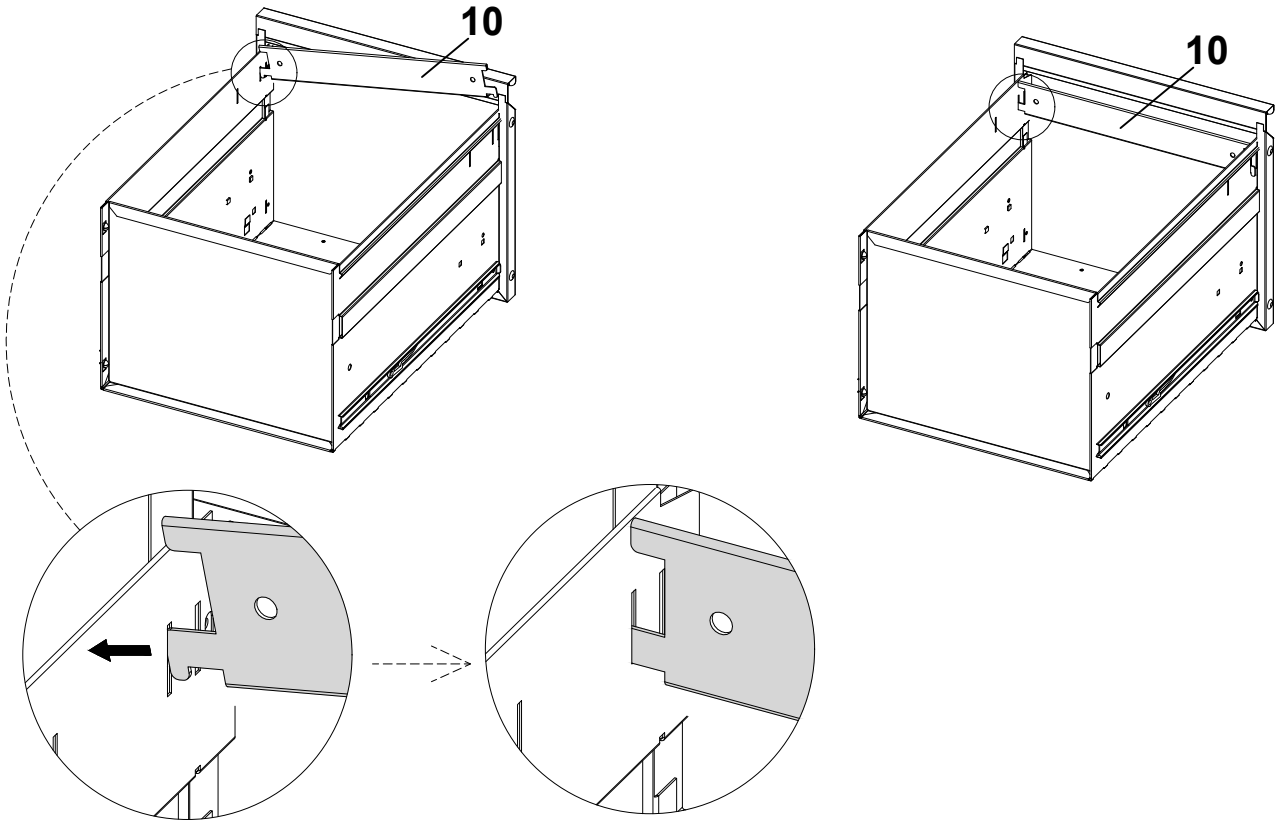
Tap lightly Rear plug



 Cx12

11

the file hanging bar can be put inside

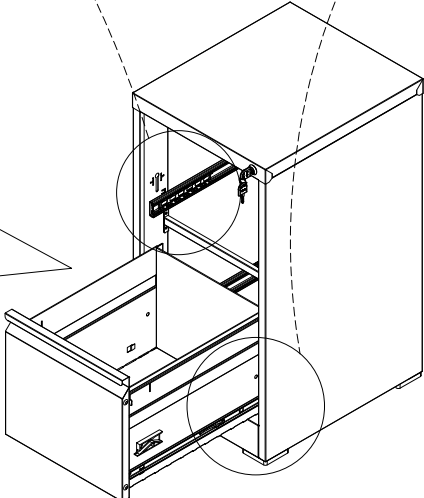
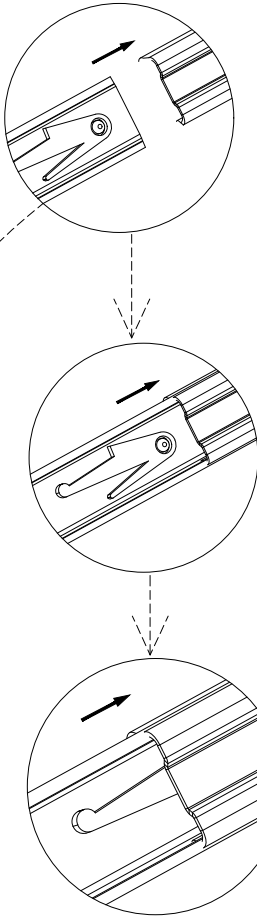
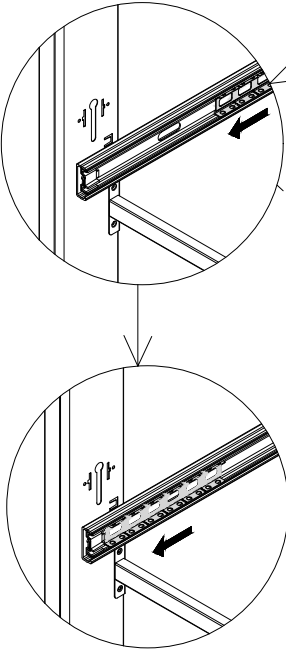


12

STP1

Must step:A First slide the steel ball to the front of the cabinet's outer slide.

STP2



B: Insert the inside railway course on both sides of drawer on the outside railway course of cabinet at the same time. Two people must put the drawer flat and insert it slowly and synchronously. After inserting it to the end, pull it out slowly twice, the slide track works normally. If it works fails, please follow the slide track removal instructions, open it and reinstall it.

13

