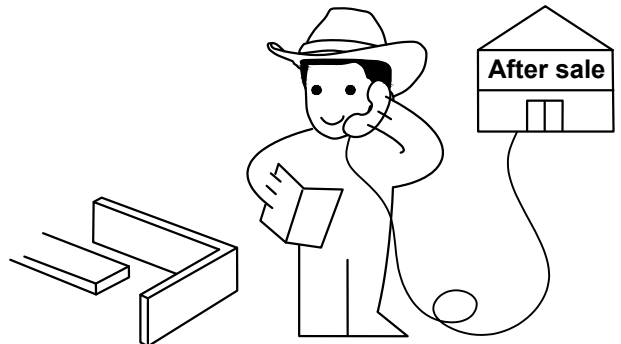
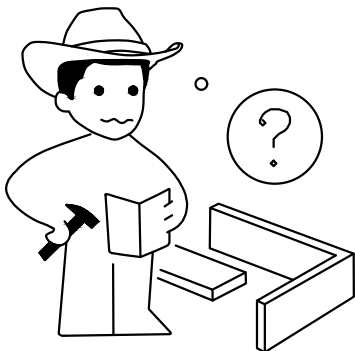
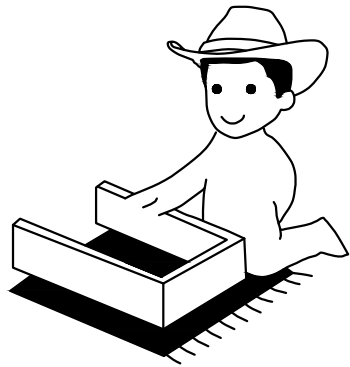
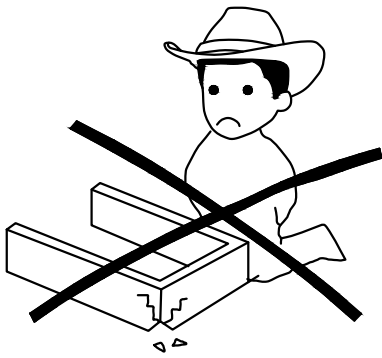
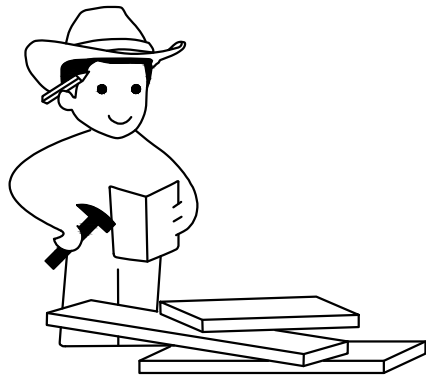
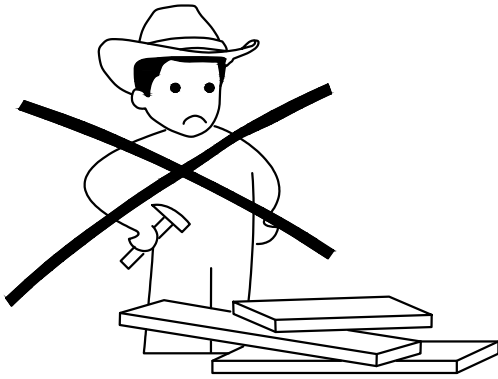
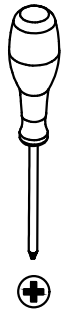
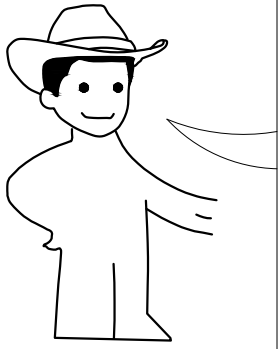
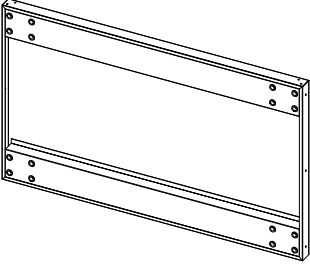
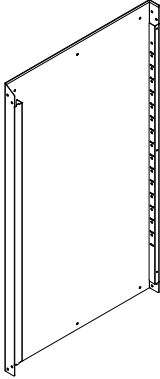
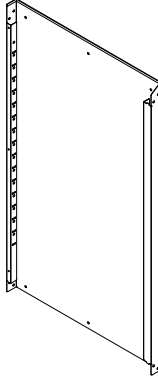
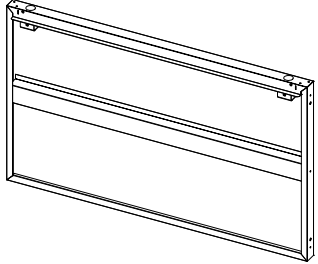
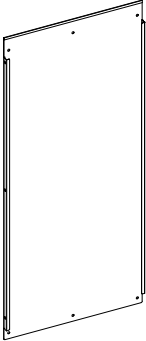
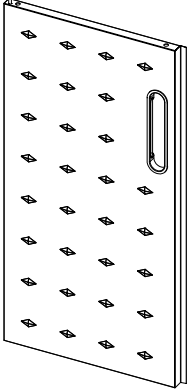
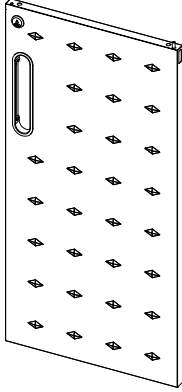
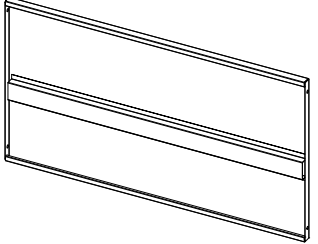
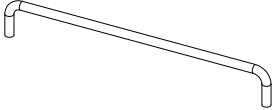


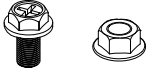

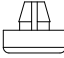
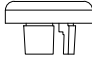

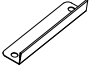
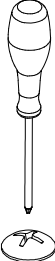
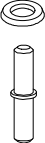
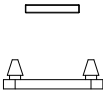
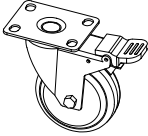

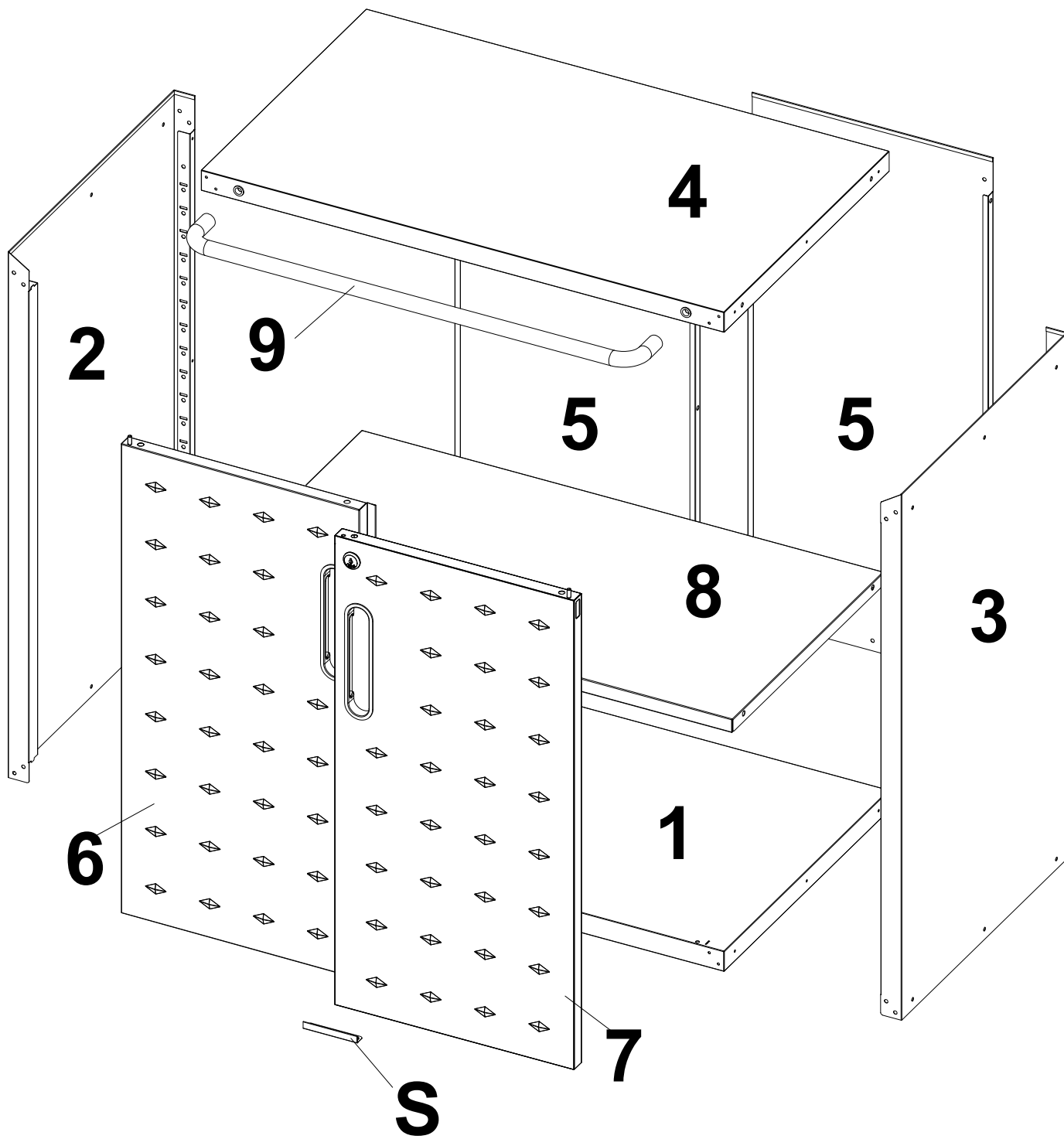


Installation video

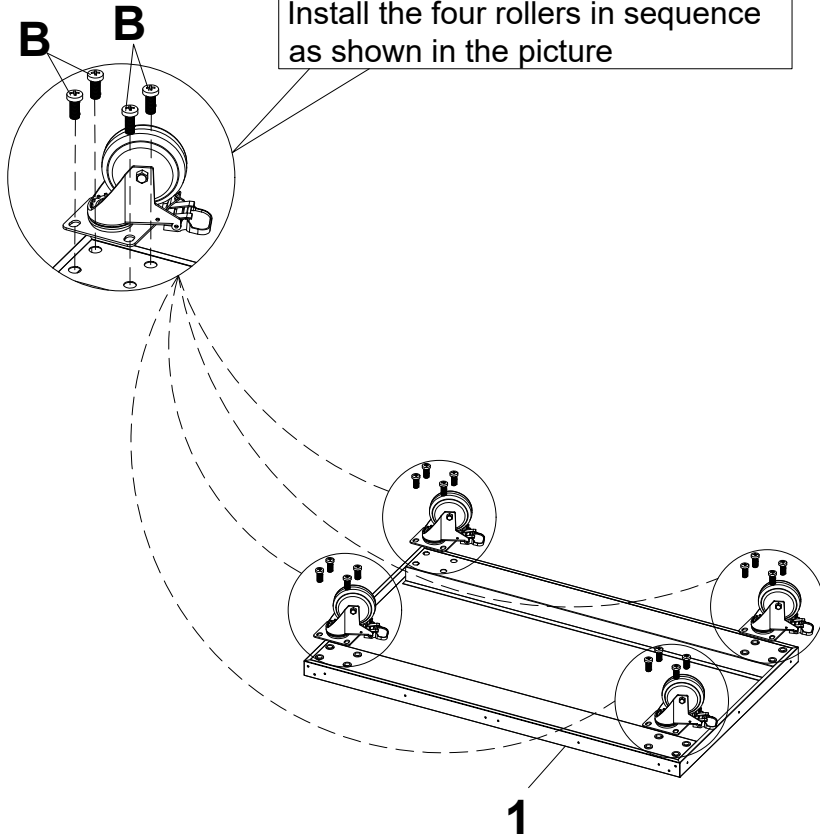


1×1pc		2×1pc		3×1pc		4×1pc	
							
5×2pcs		6×1pc		7×1pc		8×1pc	
							
						9×1pc	
							
A×48pcs	B×16pcs	C×3pcs	D×2pcs	F×4pcs	O×2	Q×4pcs	S×1pc
							
M4× 8mm 0.3inch	M8× 20mm 0.79inch	M5× 12mm 0.47inch	M4× 12mm 0.47inch				
R×2pcs	U×4pcs	4pcs					
							

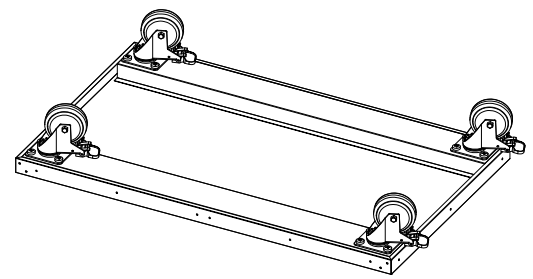


1

Install the four rollers in sequence as shown in the picture



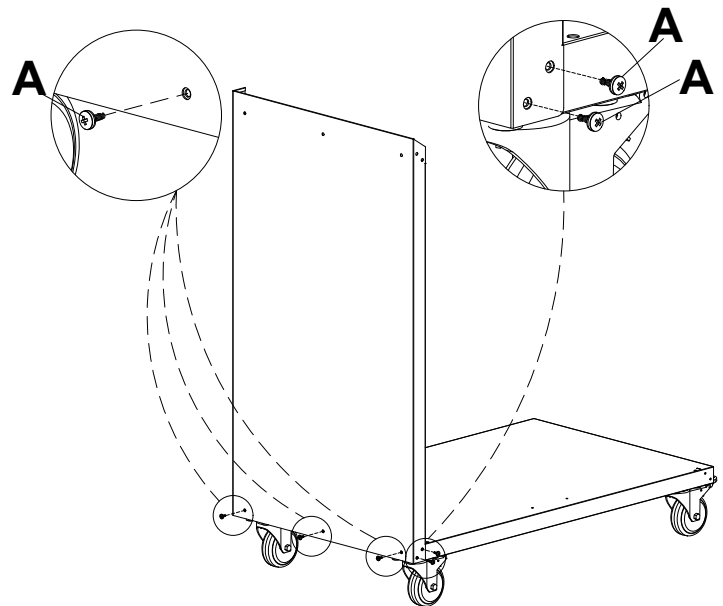
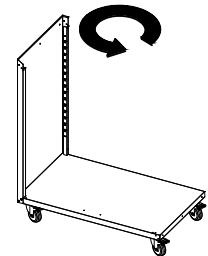
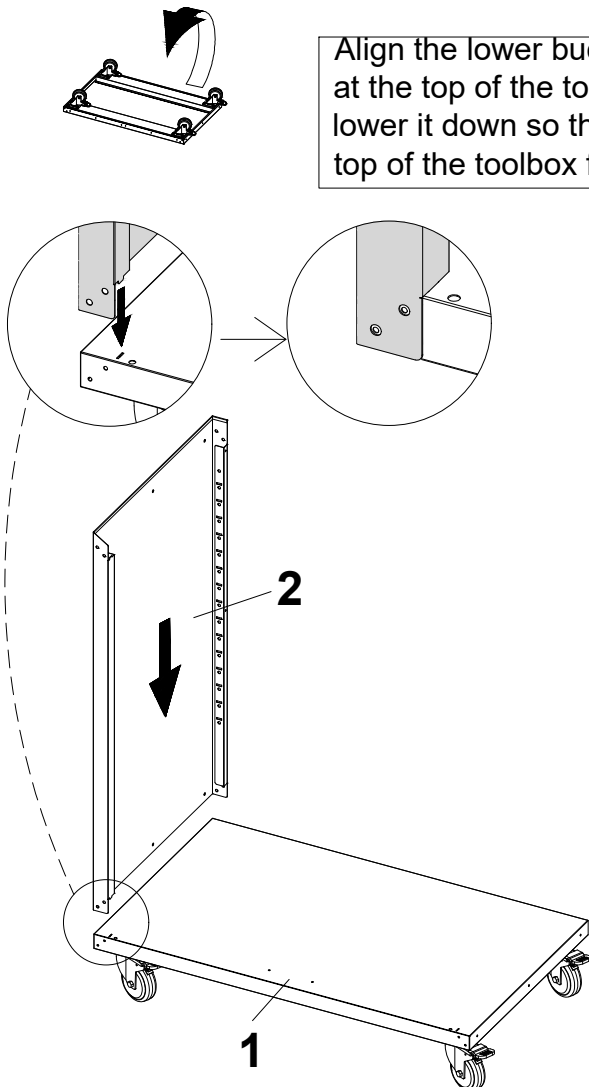
After completing the installation of the four rollers, please step on the rear locking part to prevent the cabinet from sliding during subsequent installation



 B×16

2

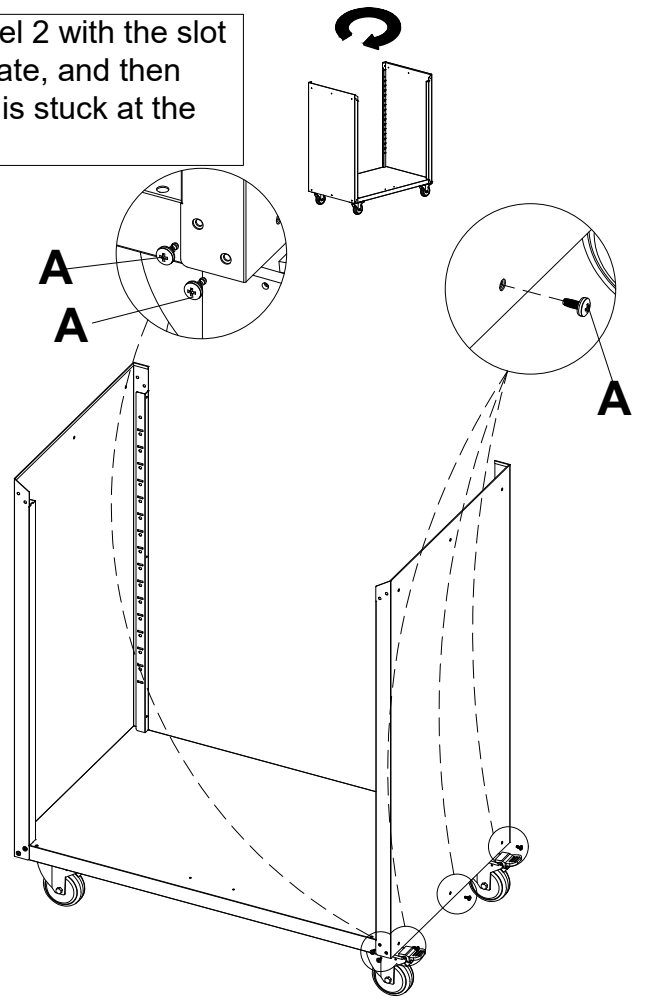
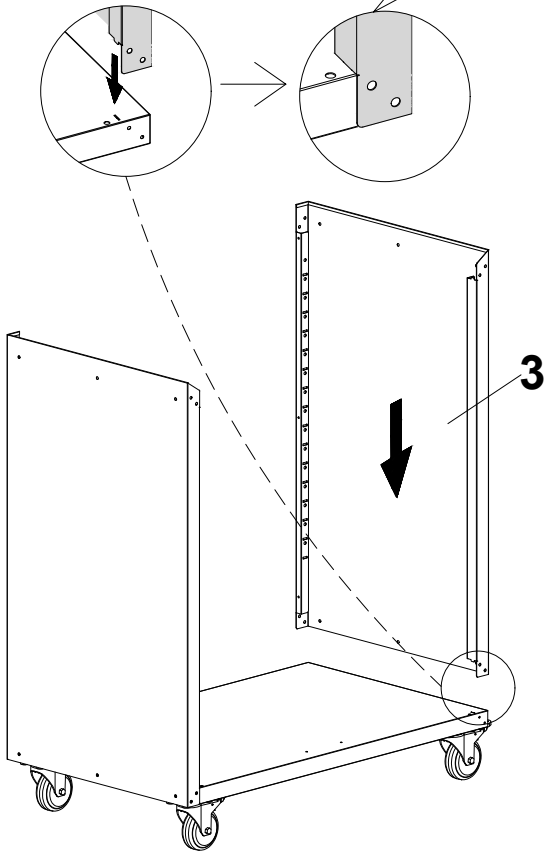
Align the lower buckle of side panel 2 with the slot at the top of the toolbox bottom plate, and then lower it down so that side panel 2 is stuck at the top of the toolbox floor



 A×5

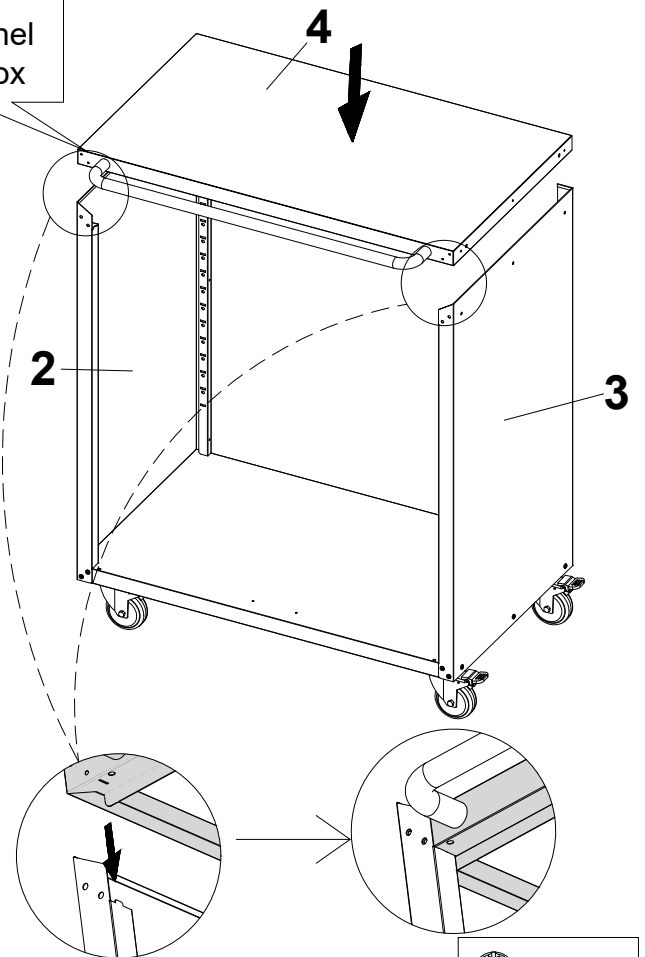
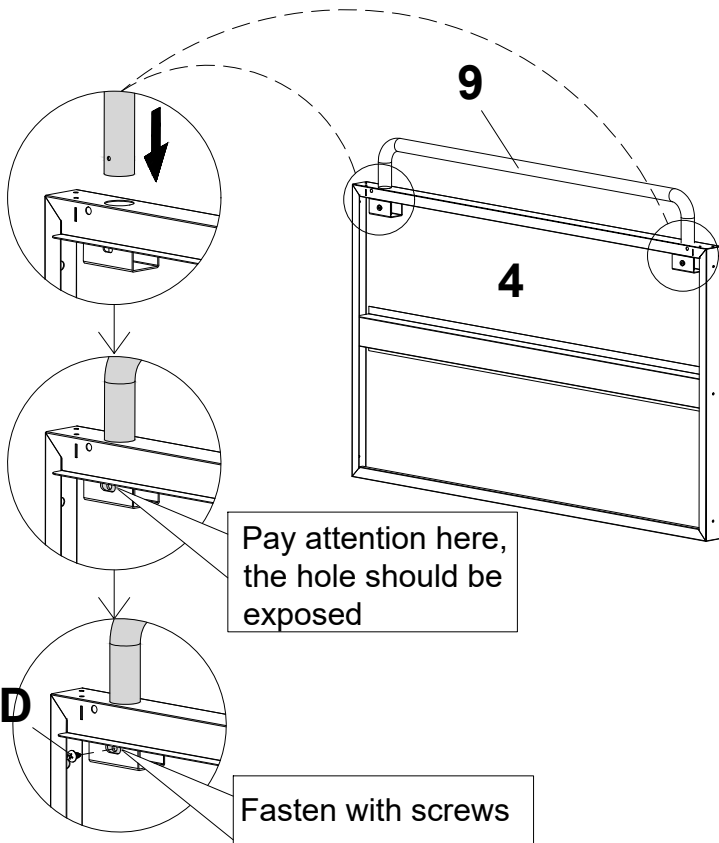
3

Align the lower buckle of side panel 2 with the slot at the top of the toolbox bottom plate, and then lower it down so that side panel 2 is stuck at the top of the toolbox floor



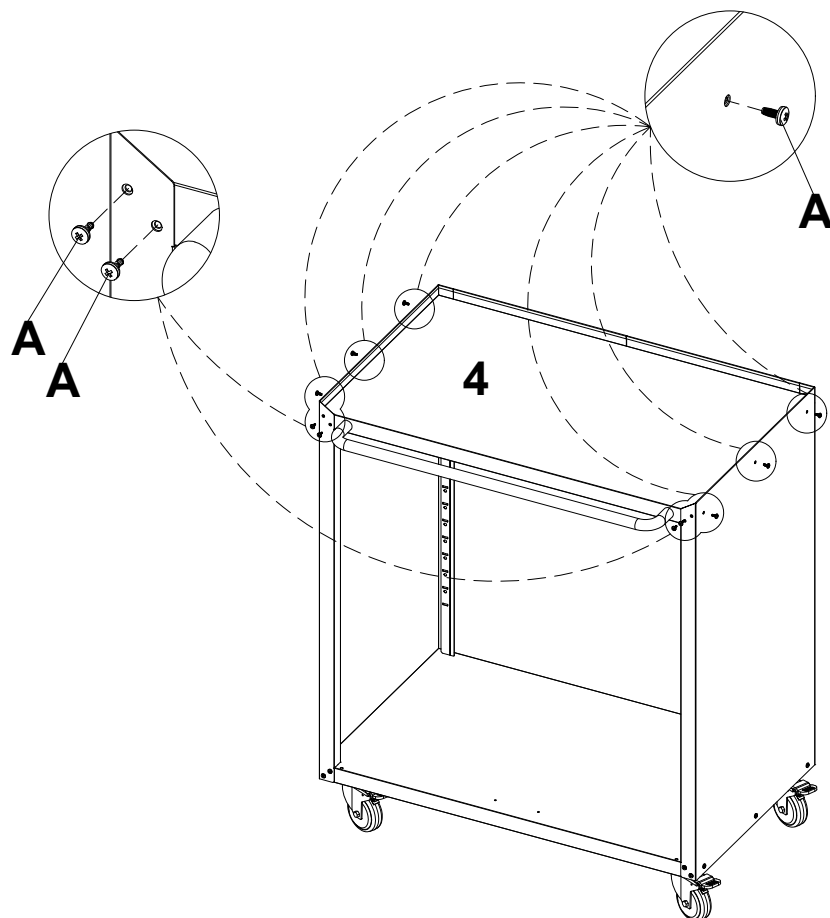
4

Align the card slots on both sides of the lower end of panel 4 with the buckles on the top of side panels 2 and 3, then lower it down so that panel 4 is stuck on the top of both sides of the toolbox



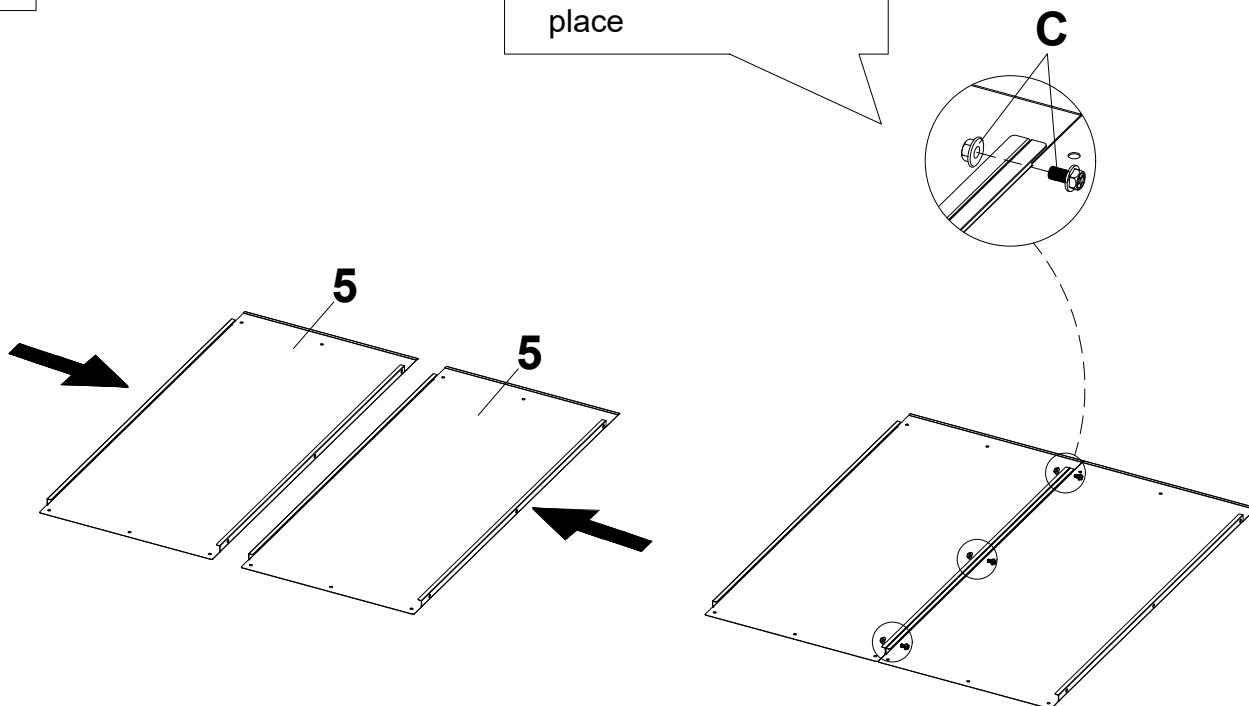
5

Fix component 4 with screws A according to the diagram



6

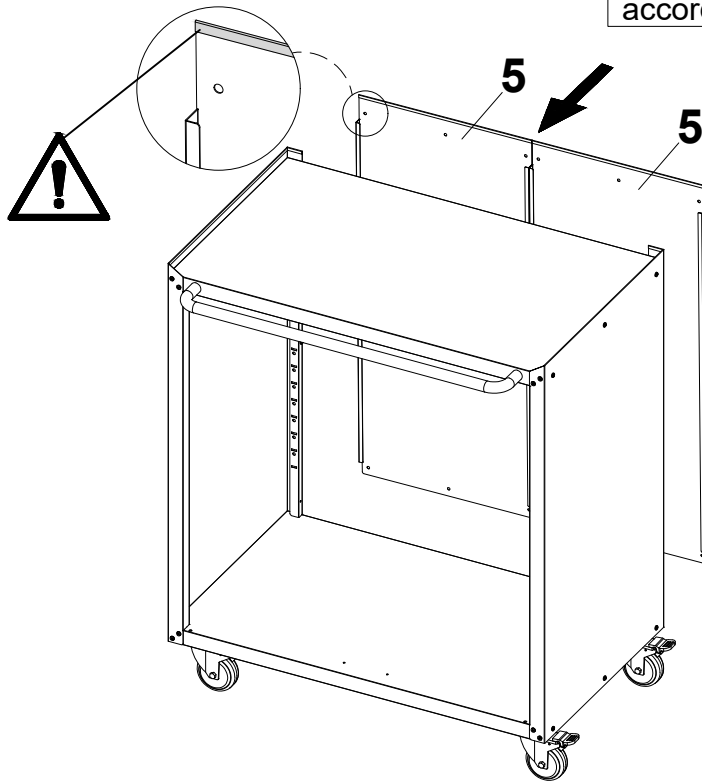
put three bolts and nuts to hold them in place



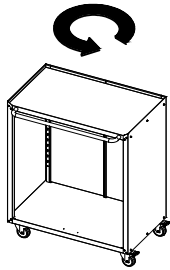
7

Pay attention to the installation direction of the back

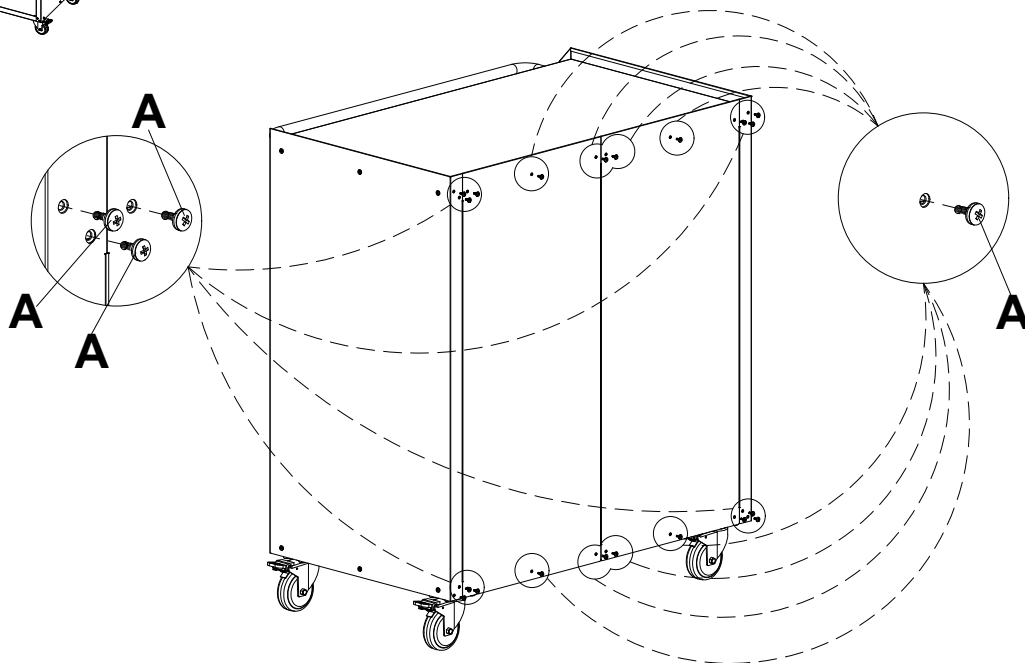
Place component 5 in place according to the diagram



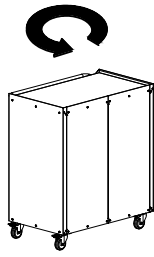
8



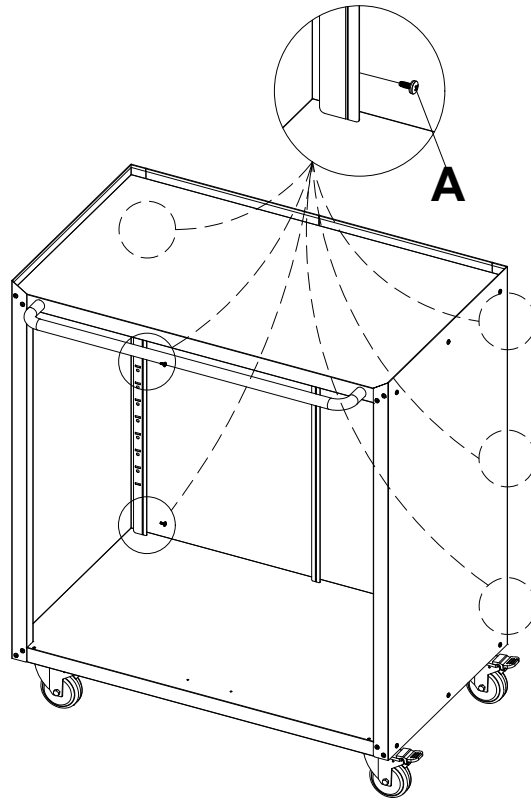
As shown in the picture, there are four positions, each position needs to install three screws, there are eight positions, each position needs to install one screw



9



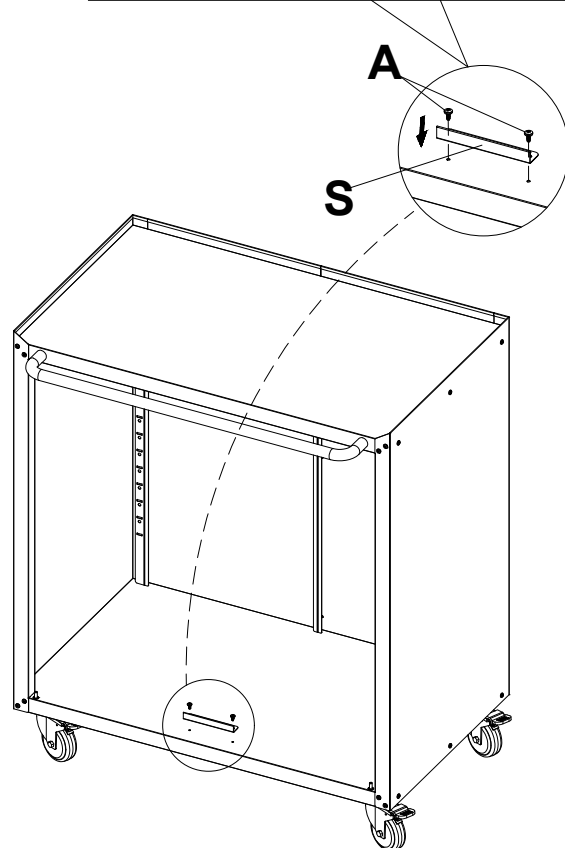
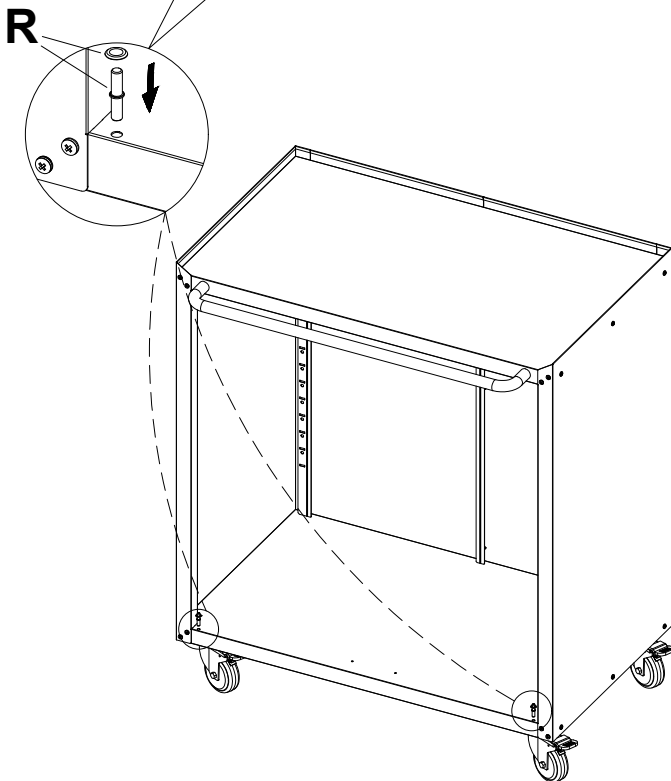
Fix with screws A according to the diagram



10

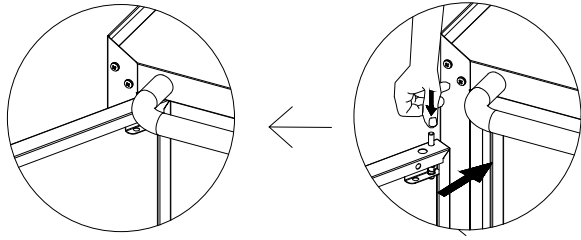
Install accessory R into the hole according to the diagram

Fix accessory S in place with screws A according to the diagram



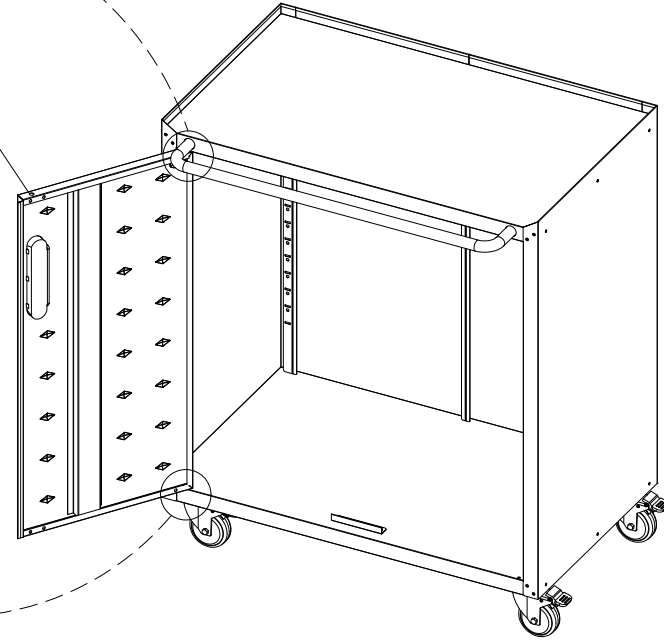
11

STEP 2

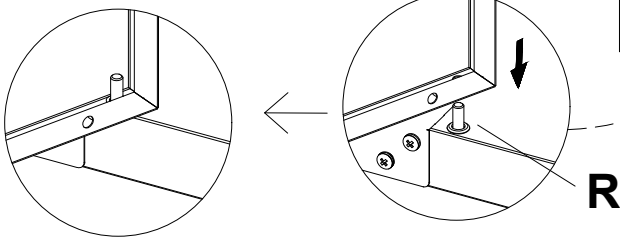


Insert the lower end of the door into the upper end of the door shaft R and press the spring screw on the top of the door

6



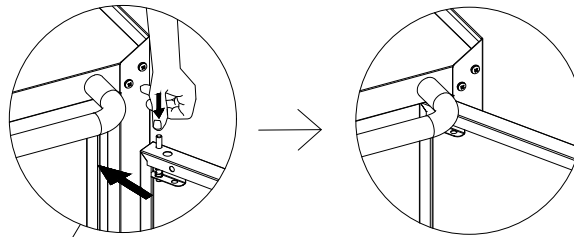
STEP 1



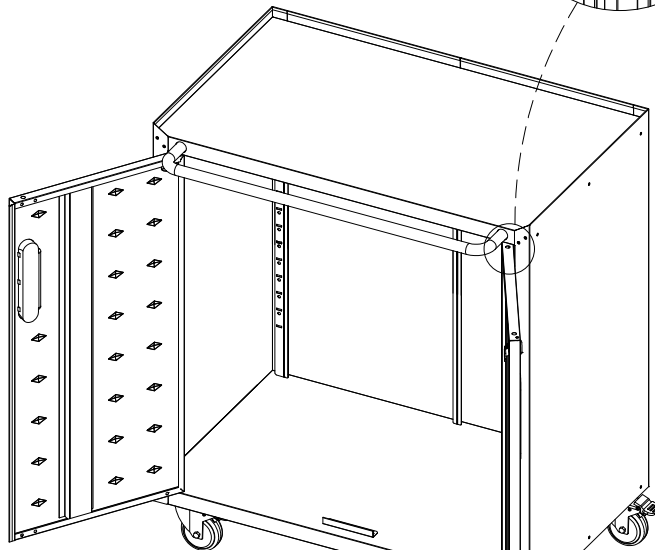
R

12

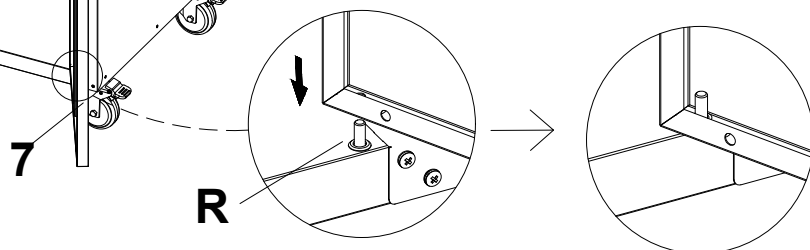
STEP 2



Insert the lower end of the door into the upper end of the door shaft R and press the spring screw on the top of the door



STEP 1

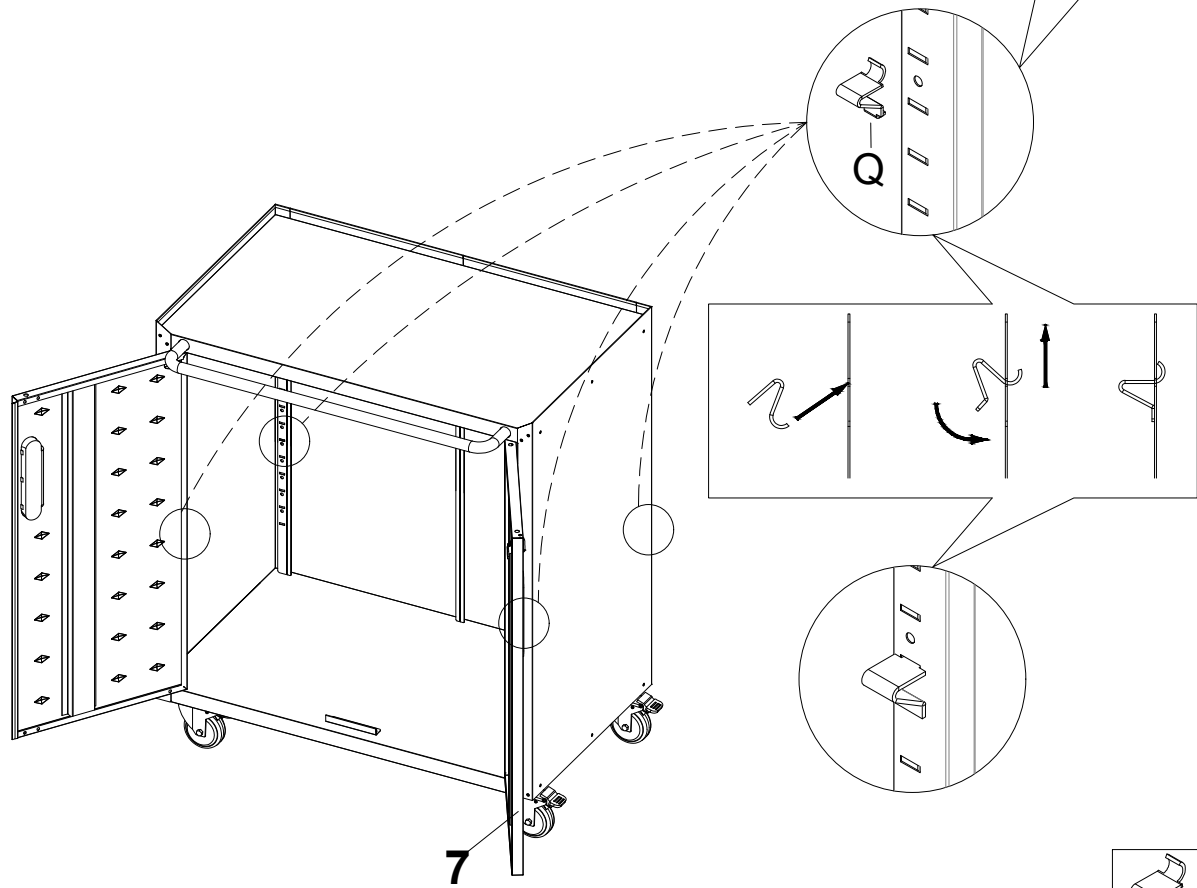



7

R

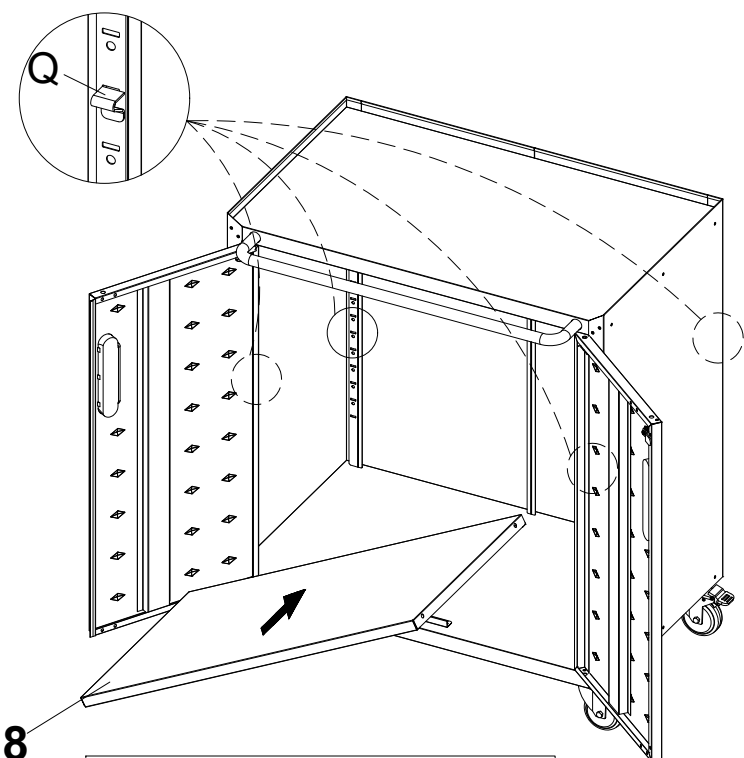
13

Install accessory Q in place according to the steps in the diagram

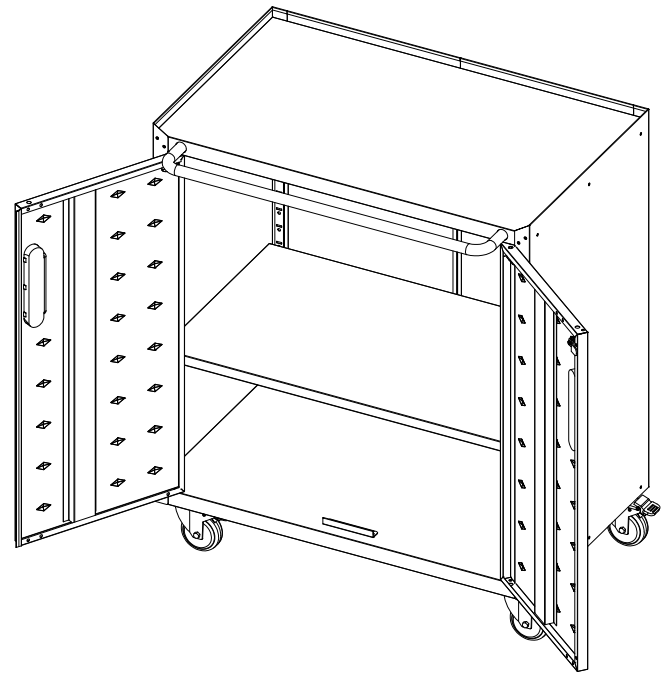


 **Qx4**

14

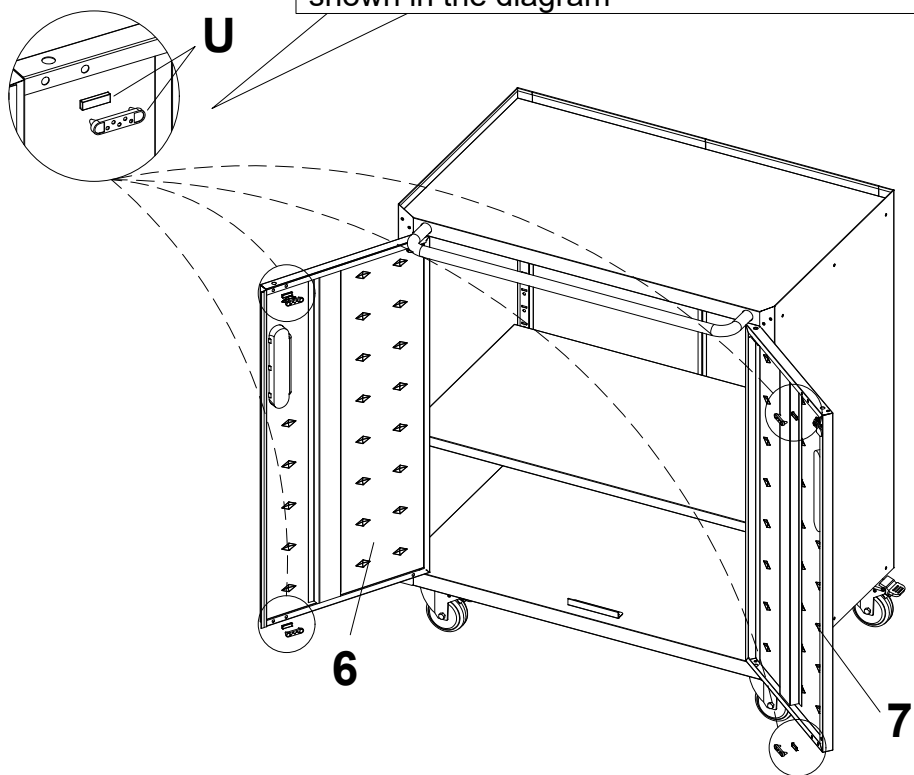


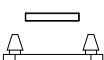
8
Install and place component 8 on attachment Q as shown in the diagram



15

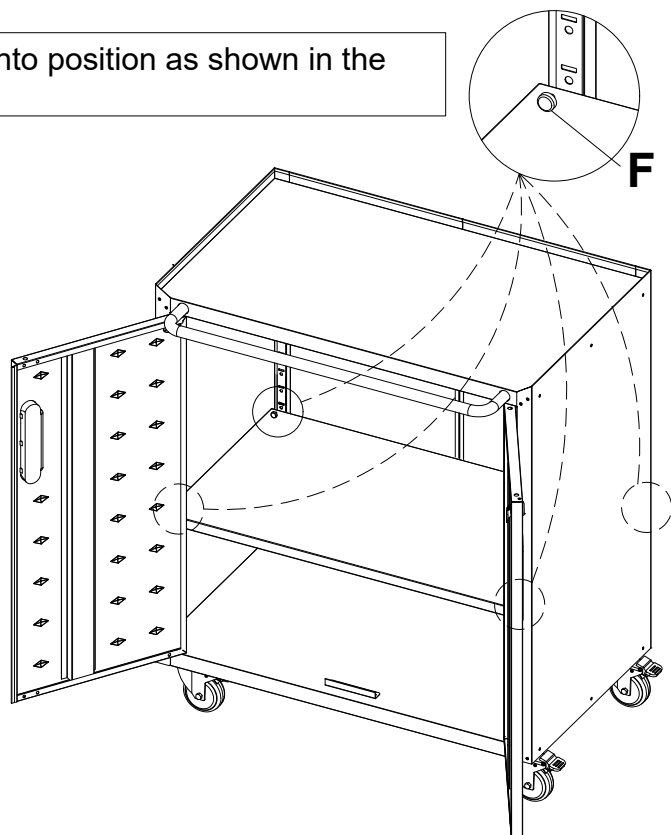
Install accessory U onto components 6 and 7 as shown in the diagram



 **U×4**

16

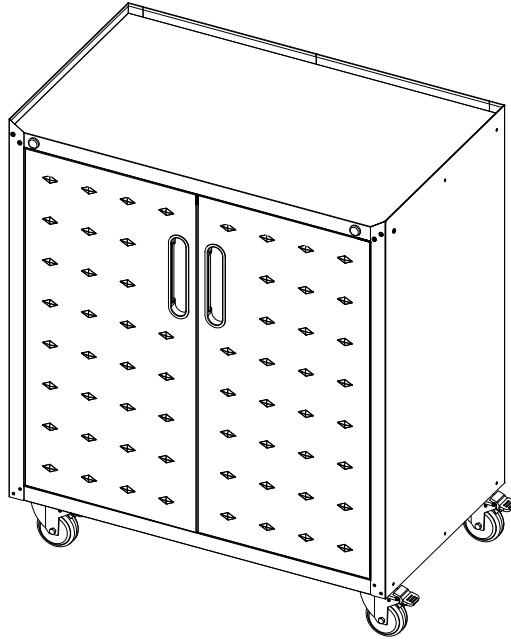
Install accessory F into position as shown in the diagram



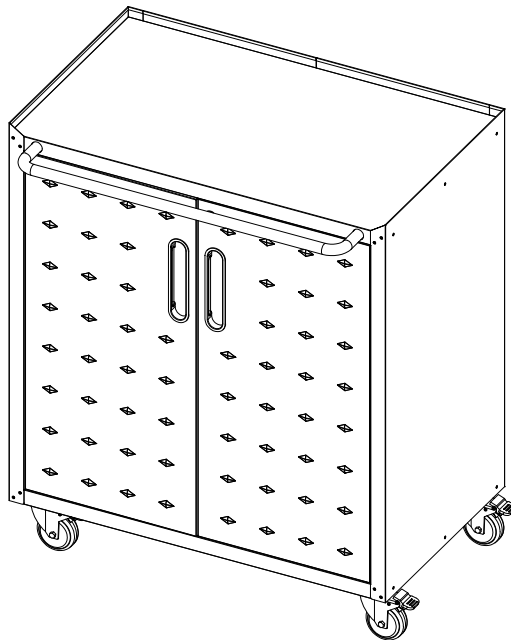
 **F×4**

17

If you don't want to install the handle, you can remove it and use O to block its hole



18



19

If you need to link another cabinet, you need to follow the following steps

First remove the 12 screws on the contact surface, then put the two cabinets together and fix them with 6 screws

