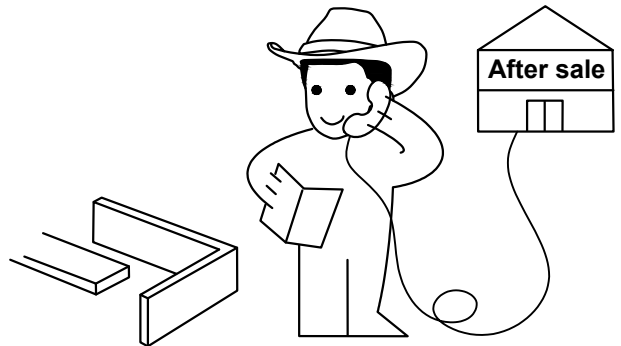
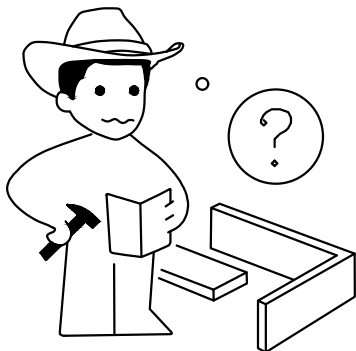
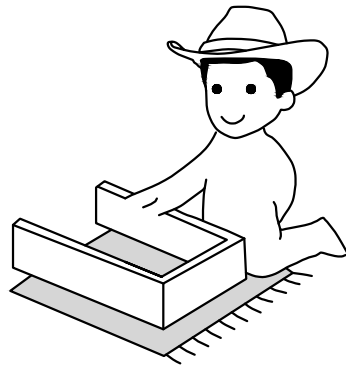
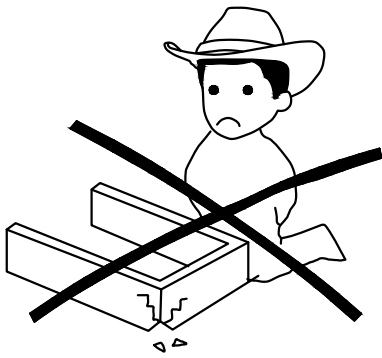
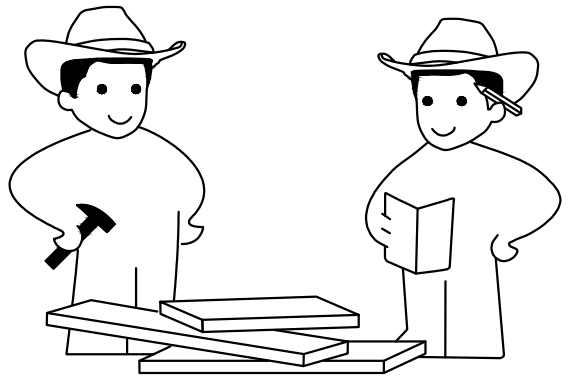
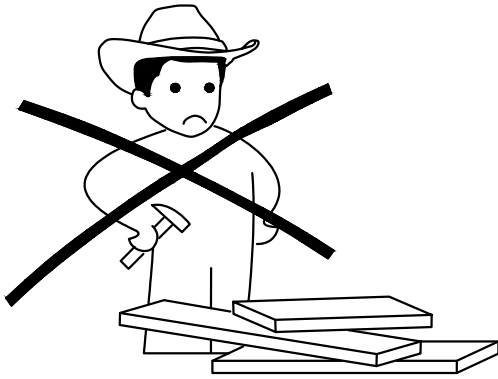
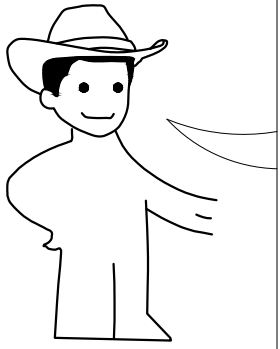
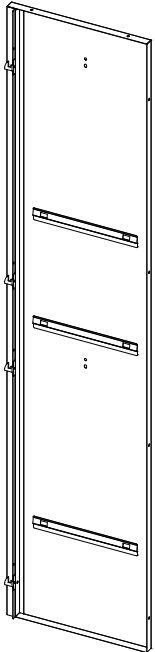
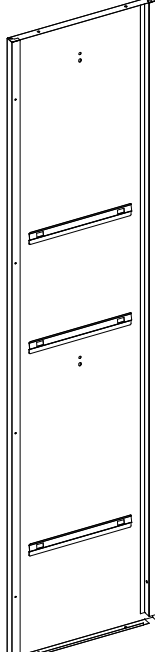
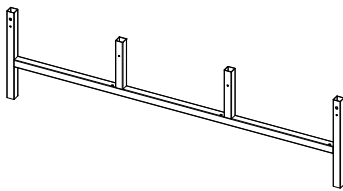
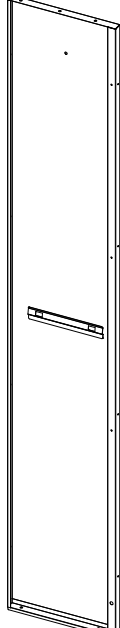
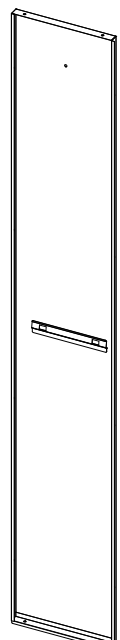
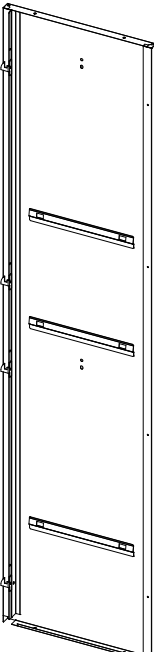
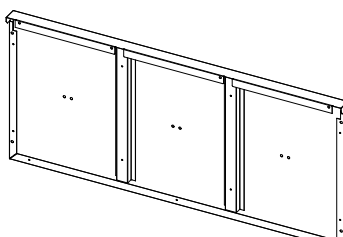
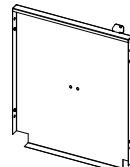
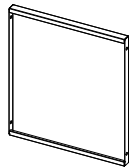
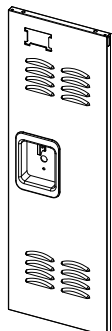

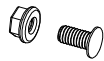
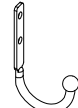
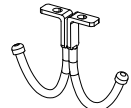
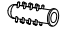





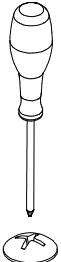

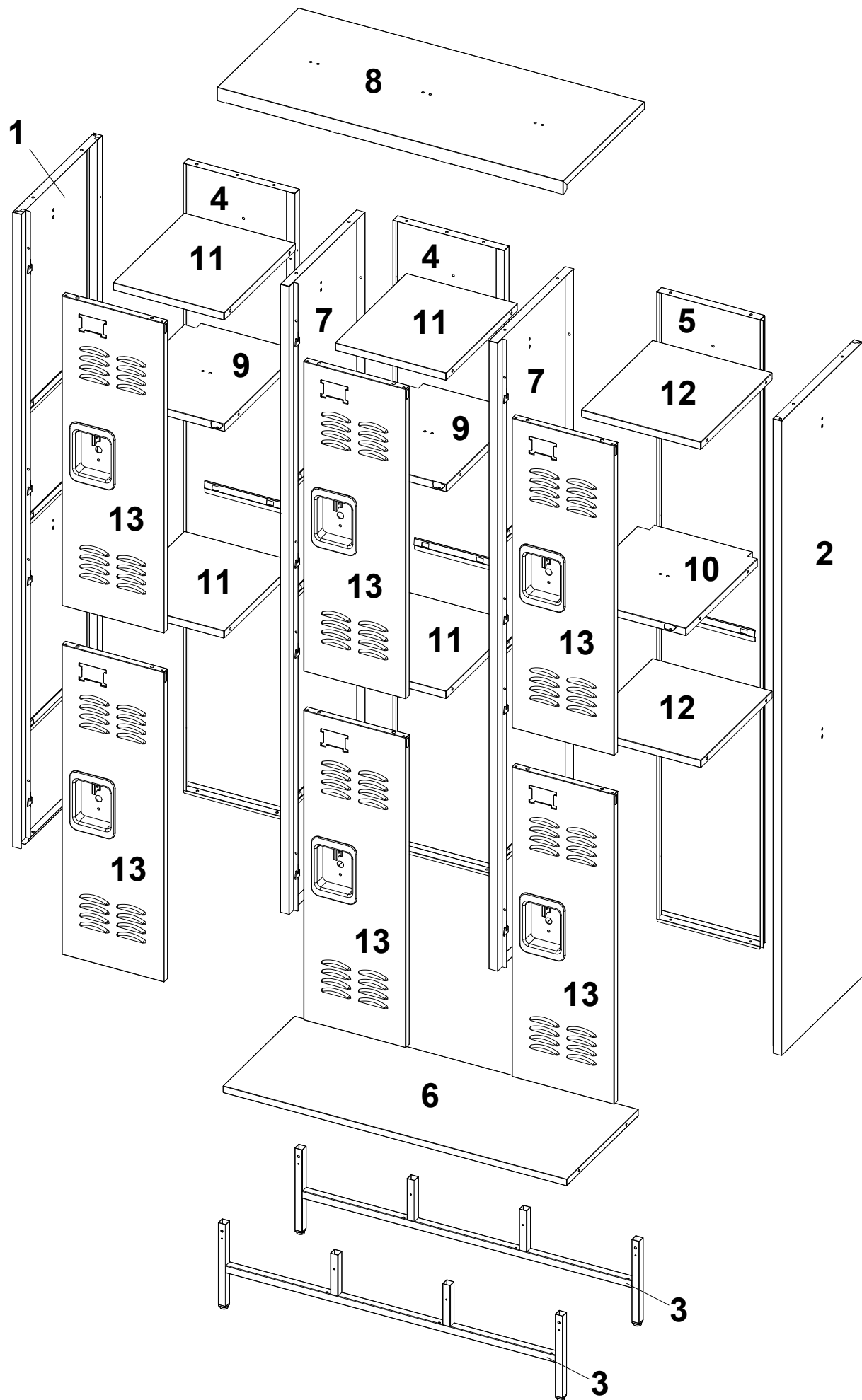


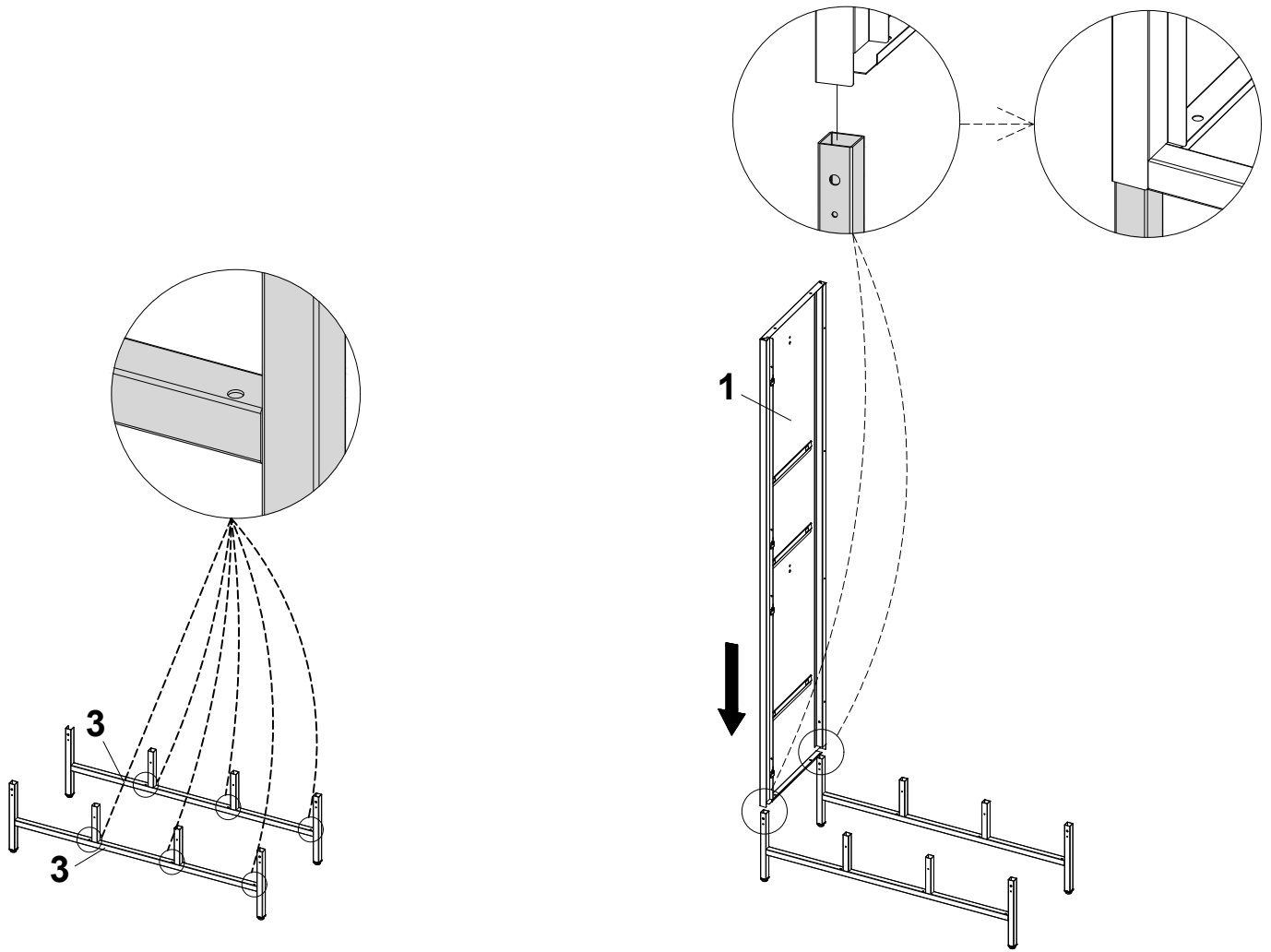
Installation video



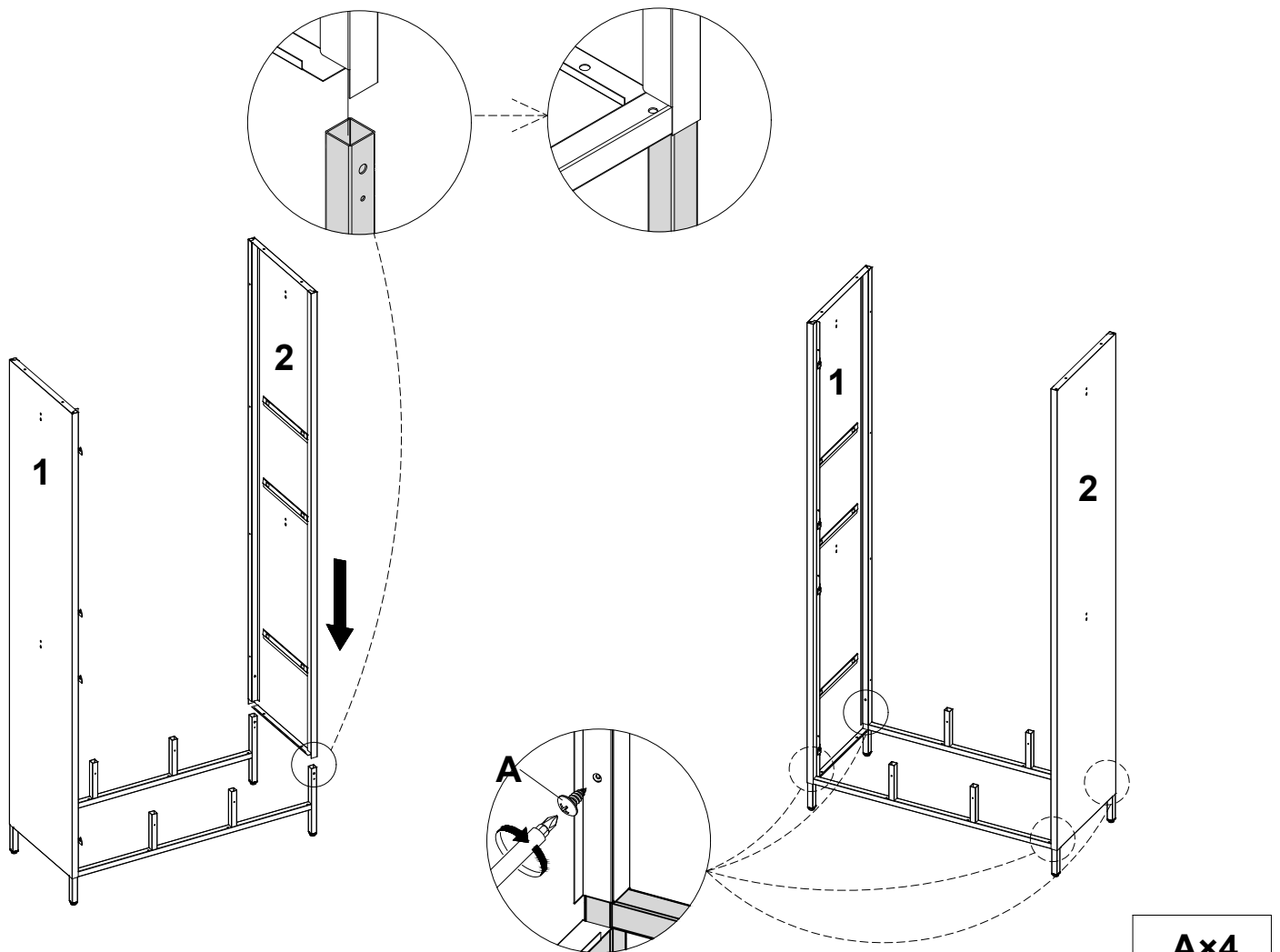
<p>1×1</p> 	<p>2×1</p> 	<p>3×2</p> 	<p>4×2</p> 				
<p>5×1</p> 	<p>7×2</p> 	<p>8×1</p> 	<p>10×1</p> 				
<p>12×2</p>  <p>352x312mm 9.92x12.28inch</p>	<p>13×6</p> 	<p>A×41</p>  <p>M5× 12mm 0.47inch</p>	<p>B×28</p>  <p>M5</p>	<p>C×12</p> 	<p>D×6</p>  <p>352x290mm 9.92x11.4inch</p>		
<p>E×2</p>  <p>M8</p>  <p>M5× 30mm 1.18inch</p>  <p>M5</p>	<p>F×12</p> 	<p>G×3</p> 	<p>H×6</p> 				



1

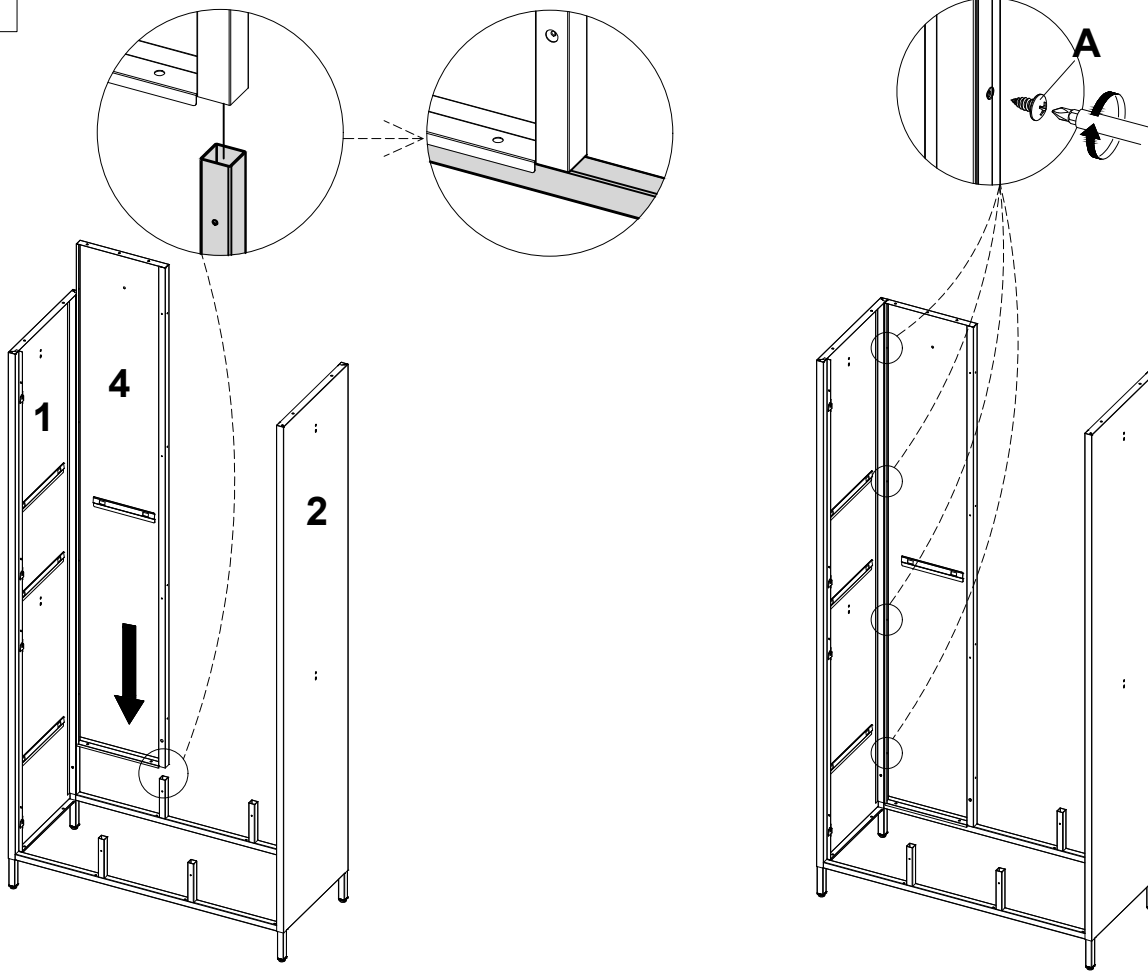


2



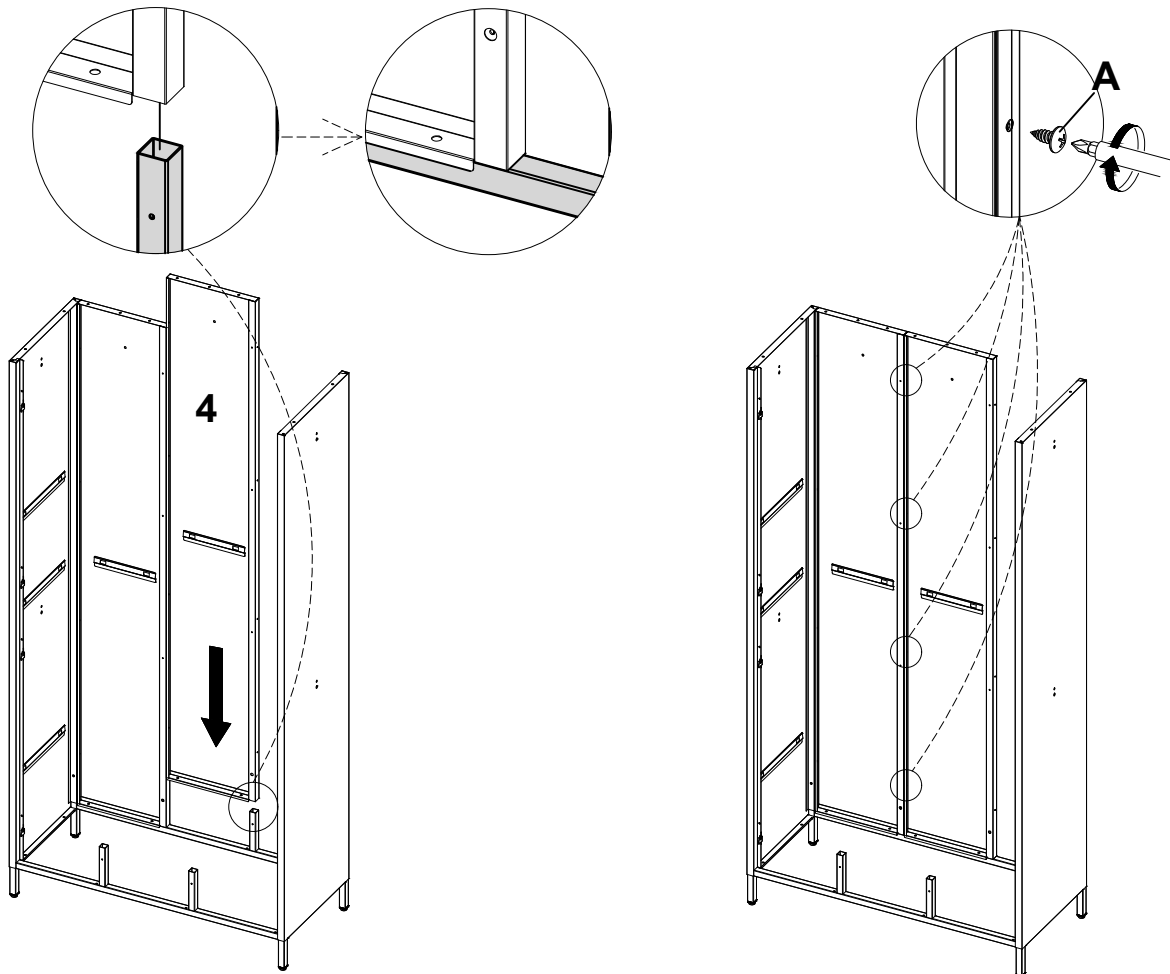
A x 4

3



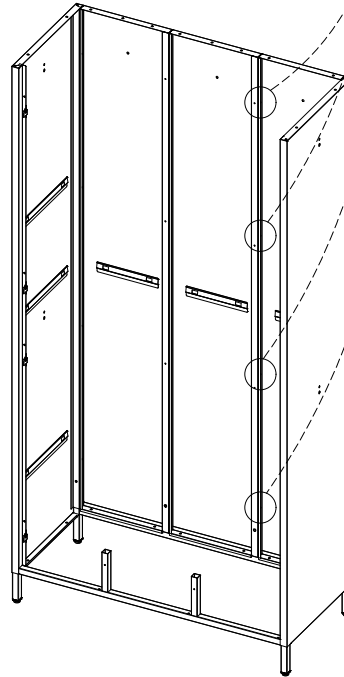
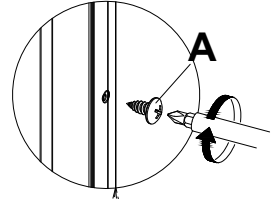
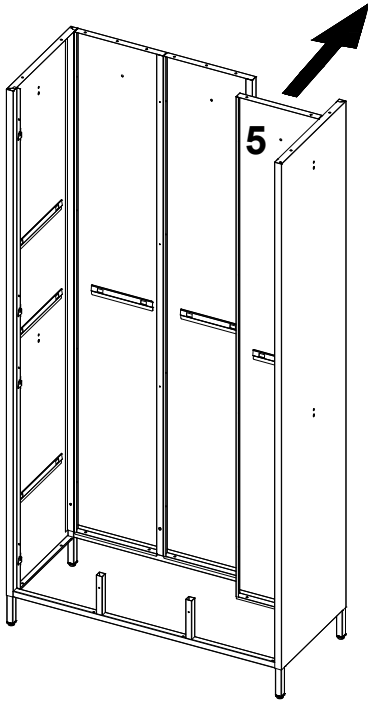
A×4

4



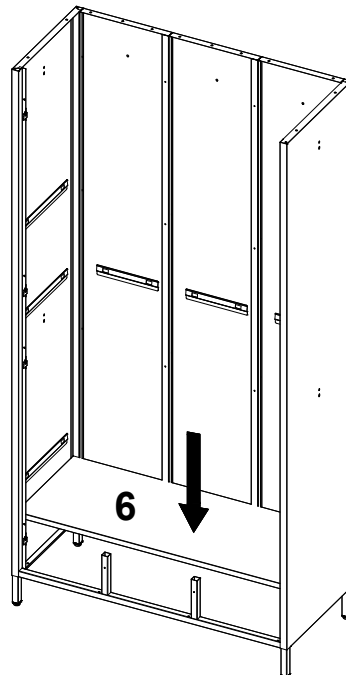
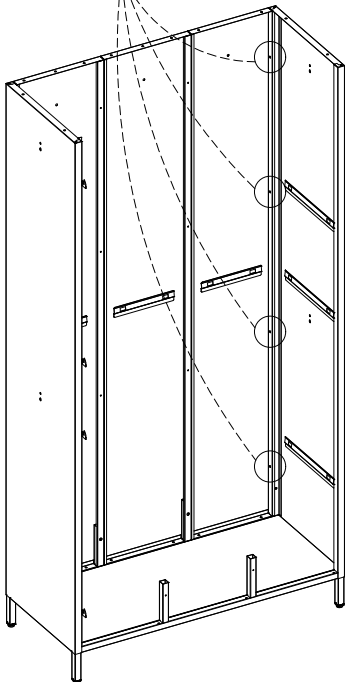
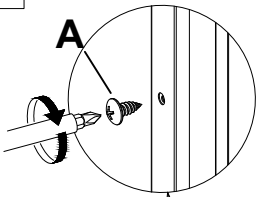
A×4

5



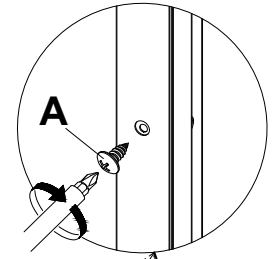
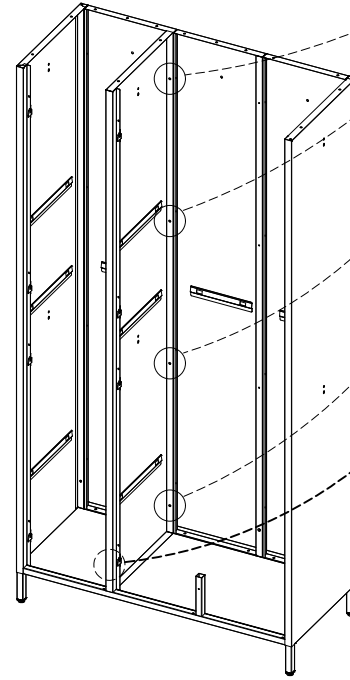
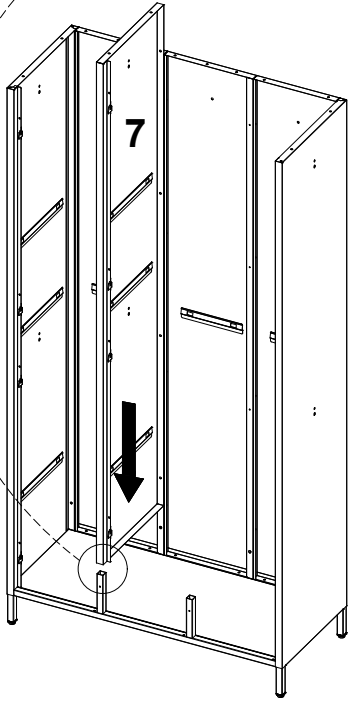
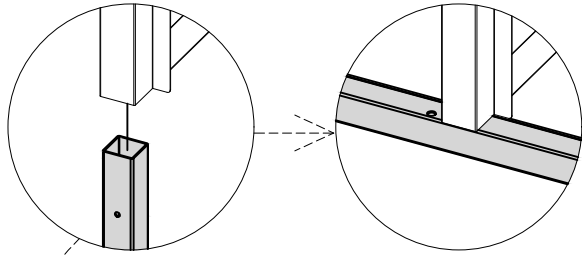
A×4

6



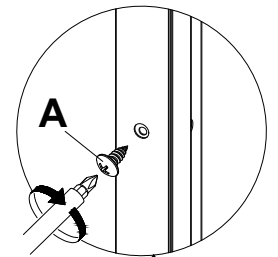
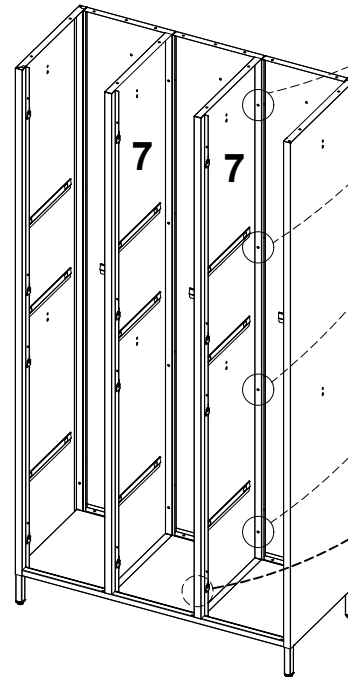
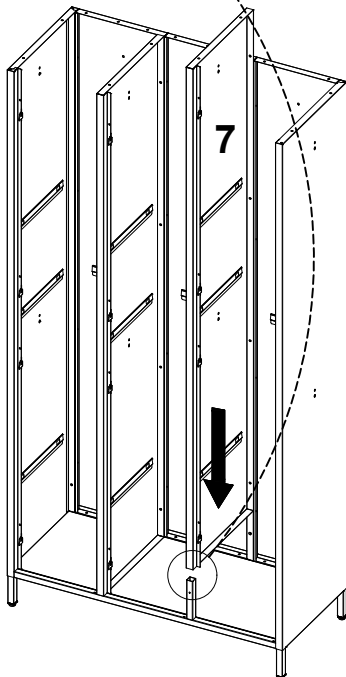
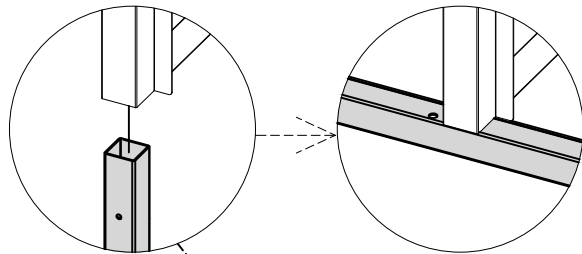
A×4

7



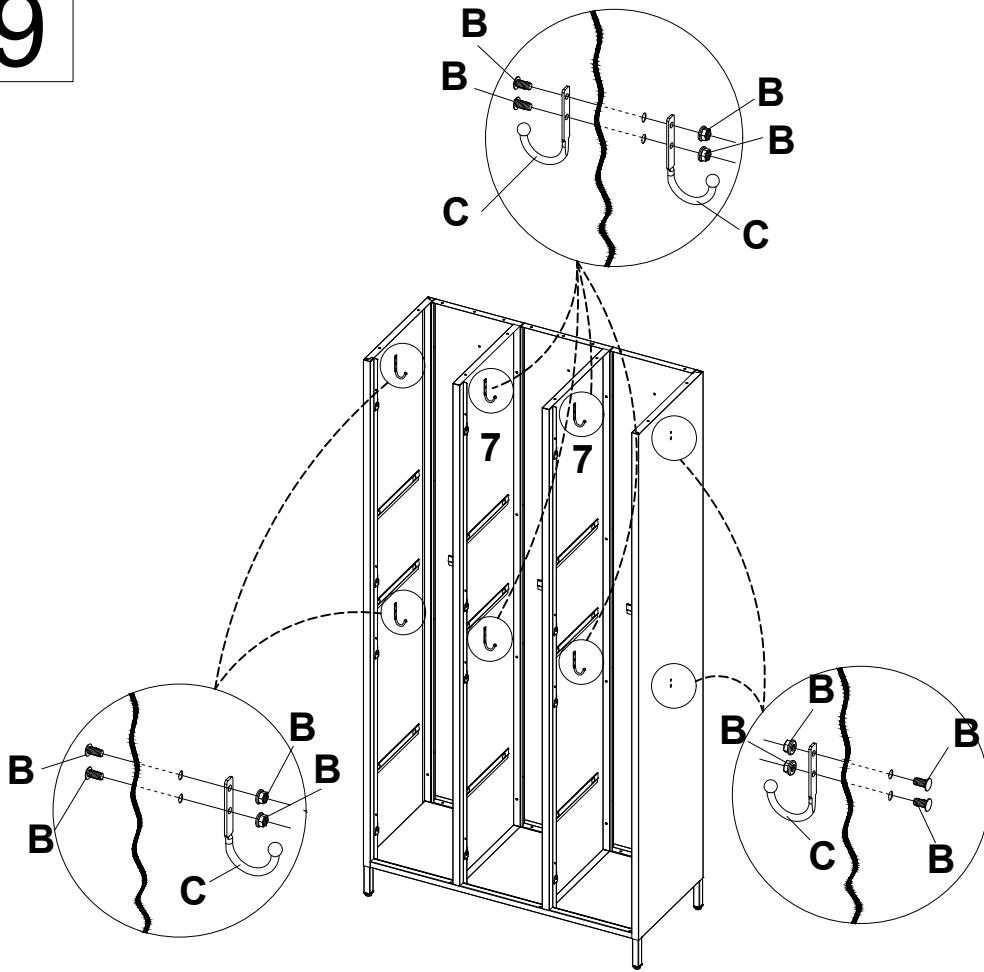
Ax5

8



Ax5

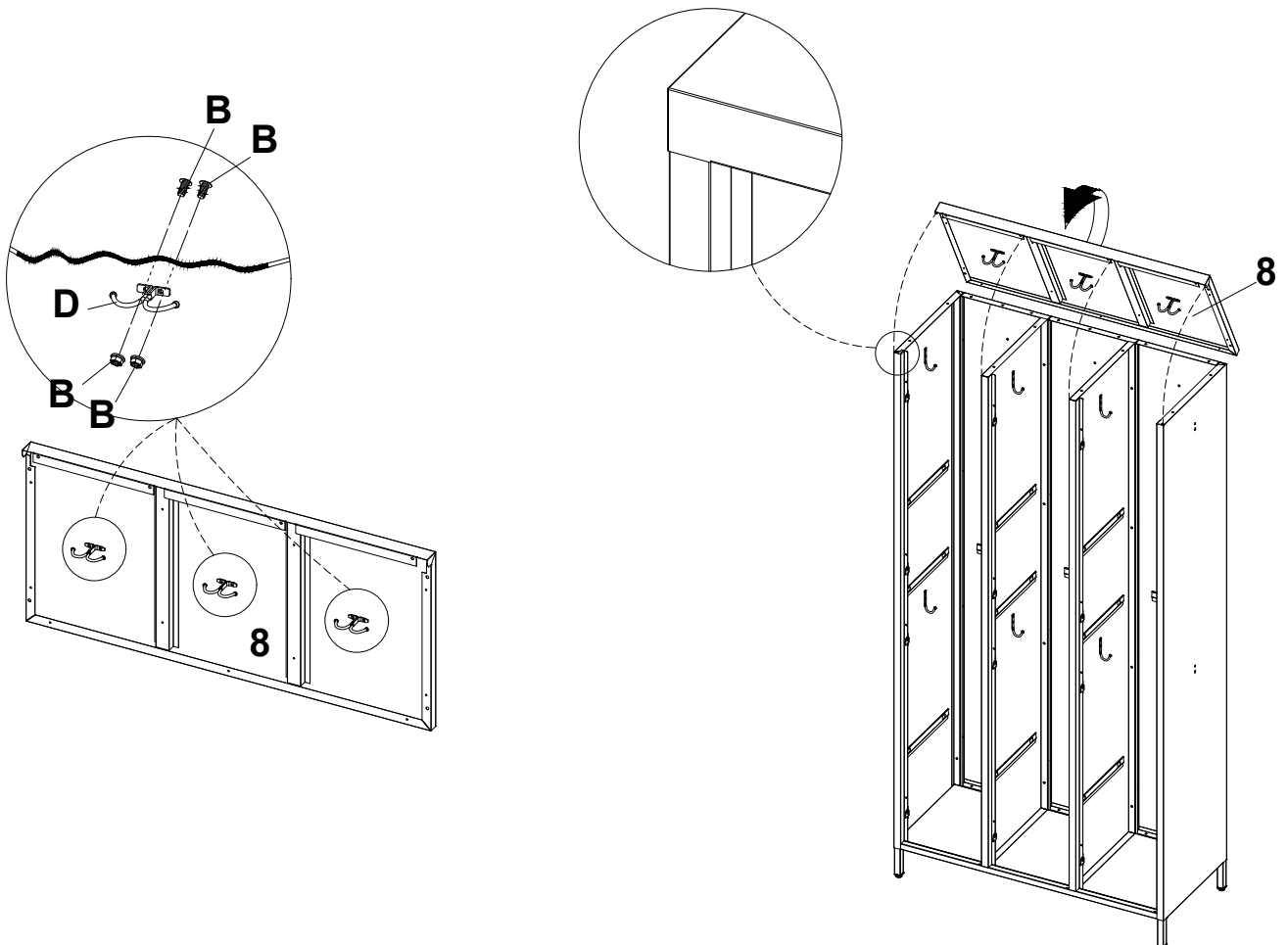
9



B×16

C×12

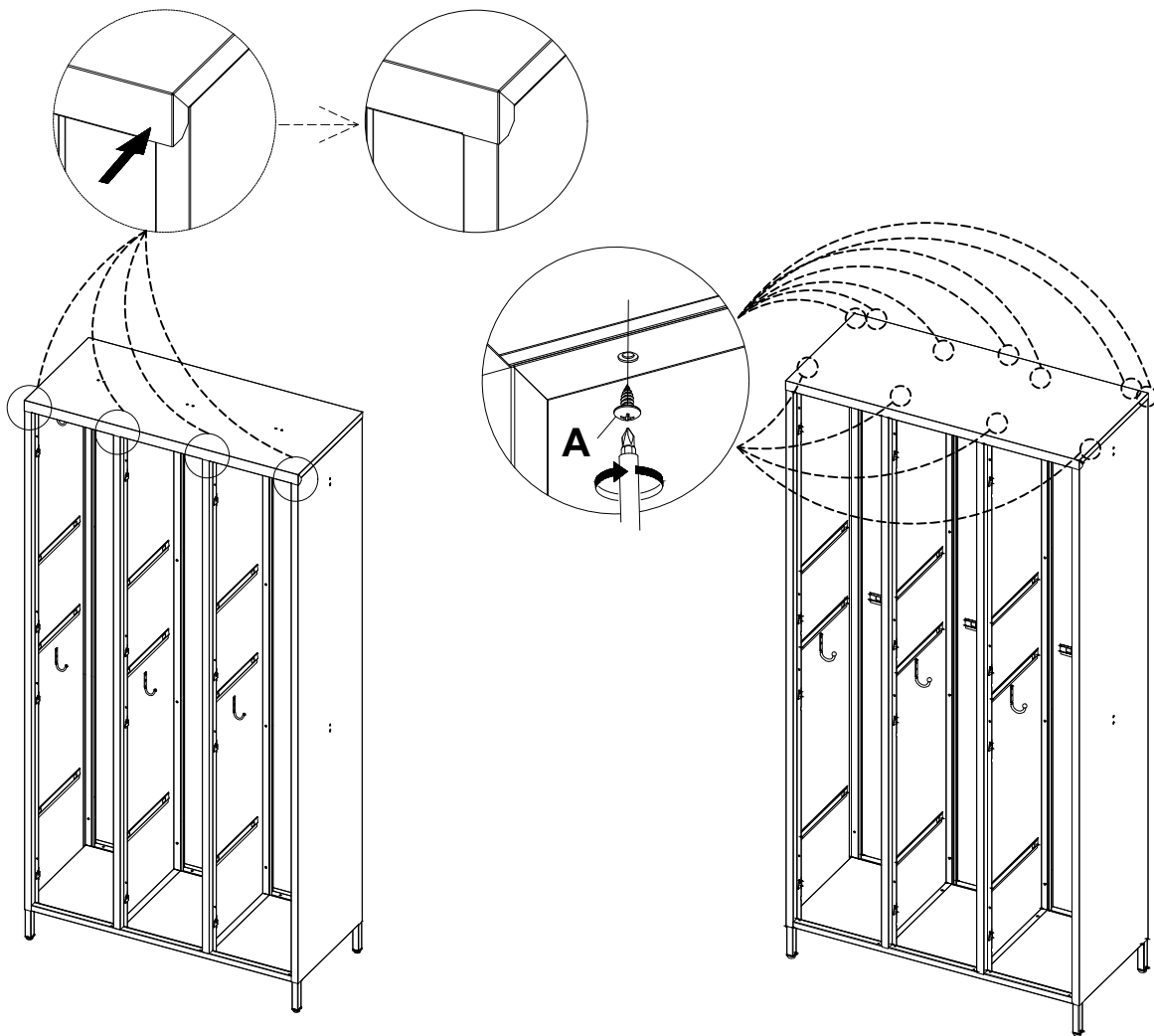
10



B×6

D×3

11



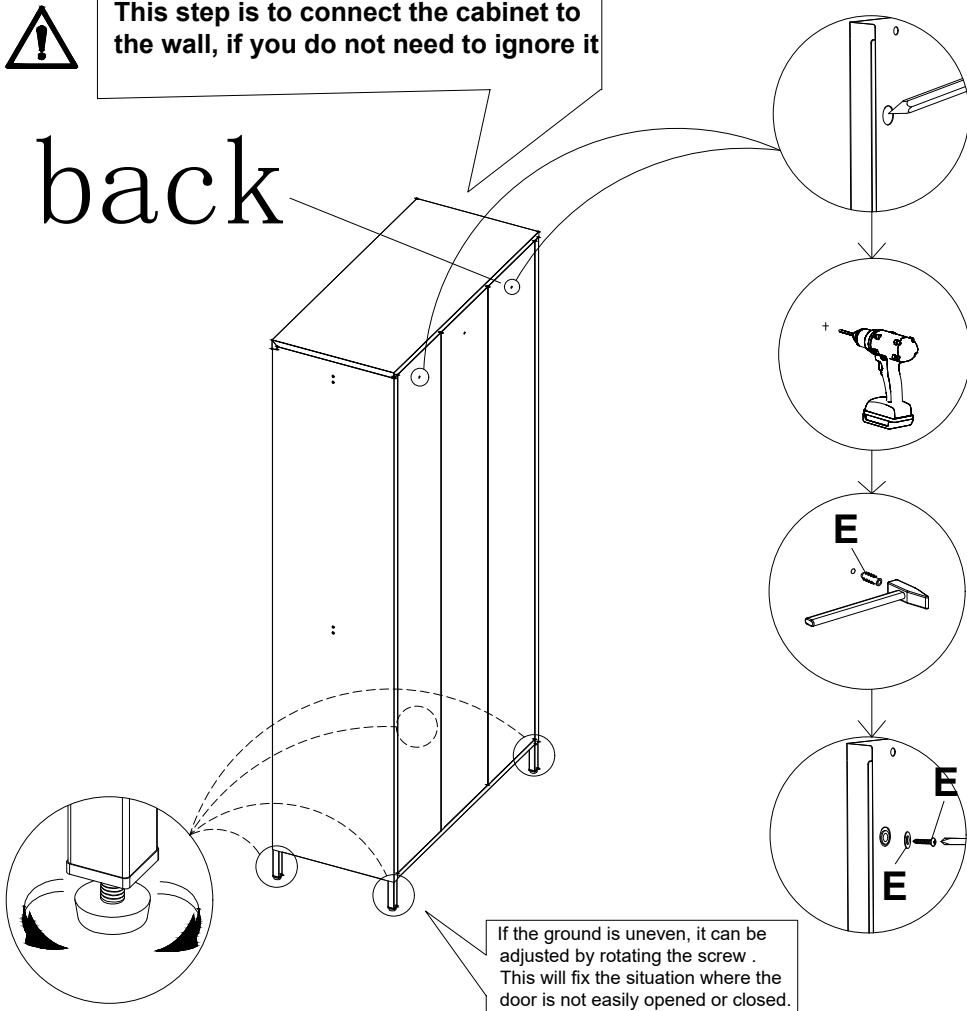
A×11

12



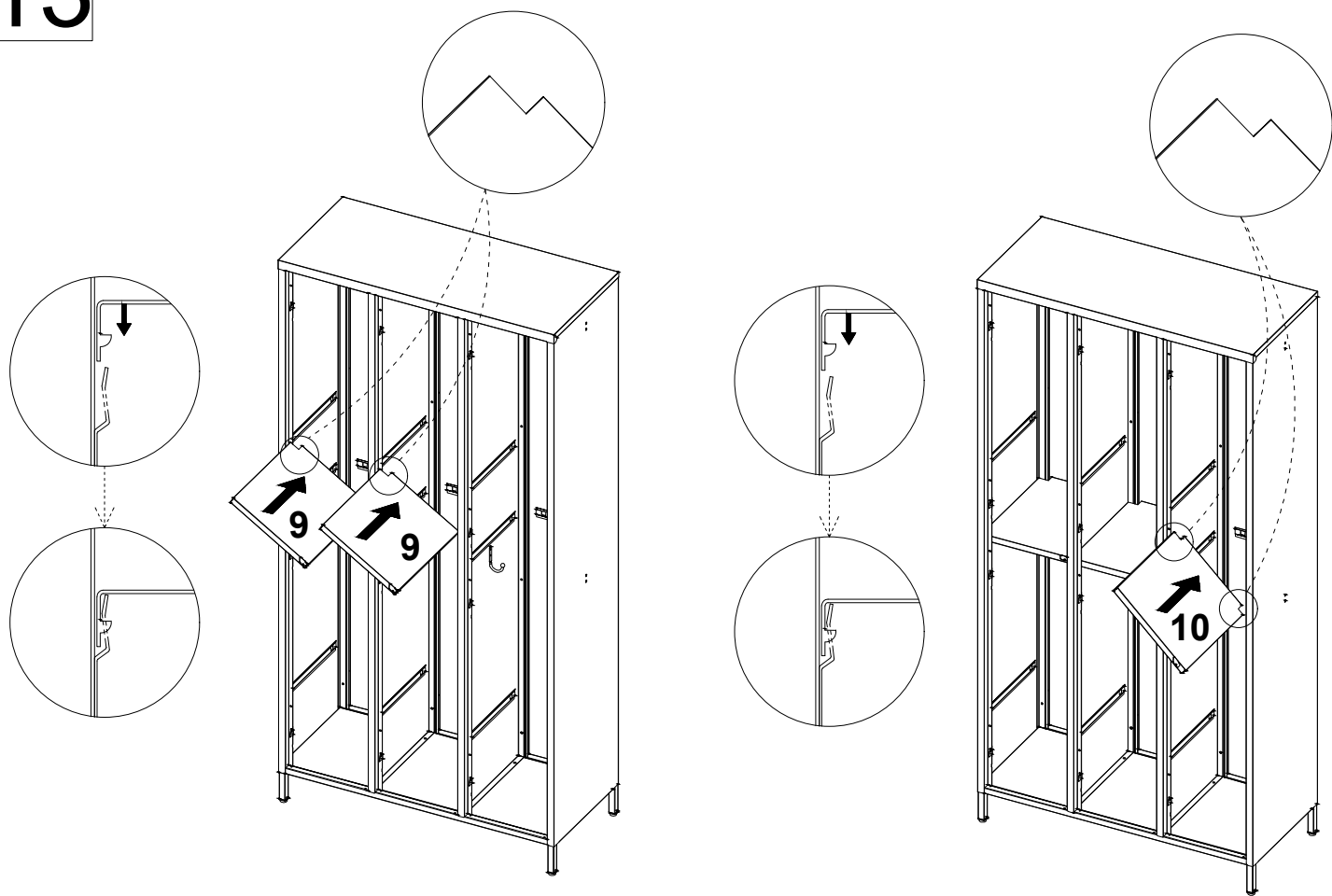
This step is to connect the cabinet to the wall, if you do not need to ignore it

back

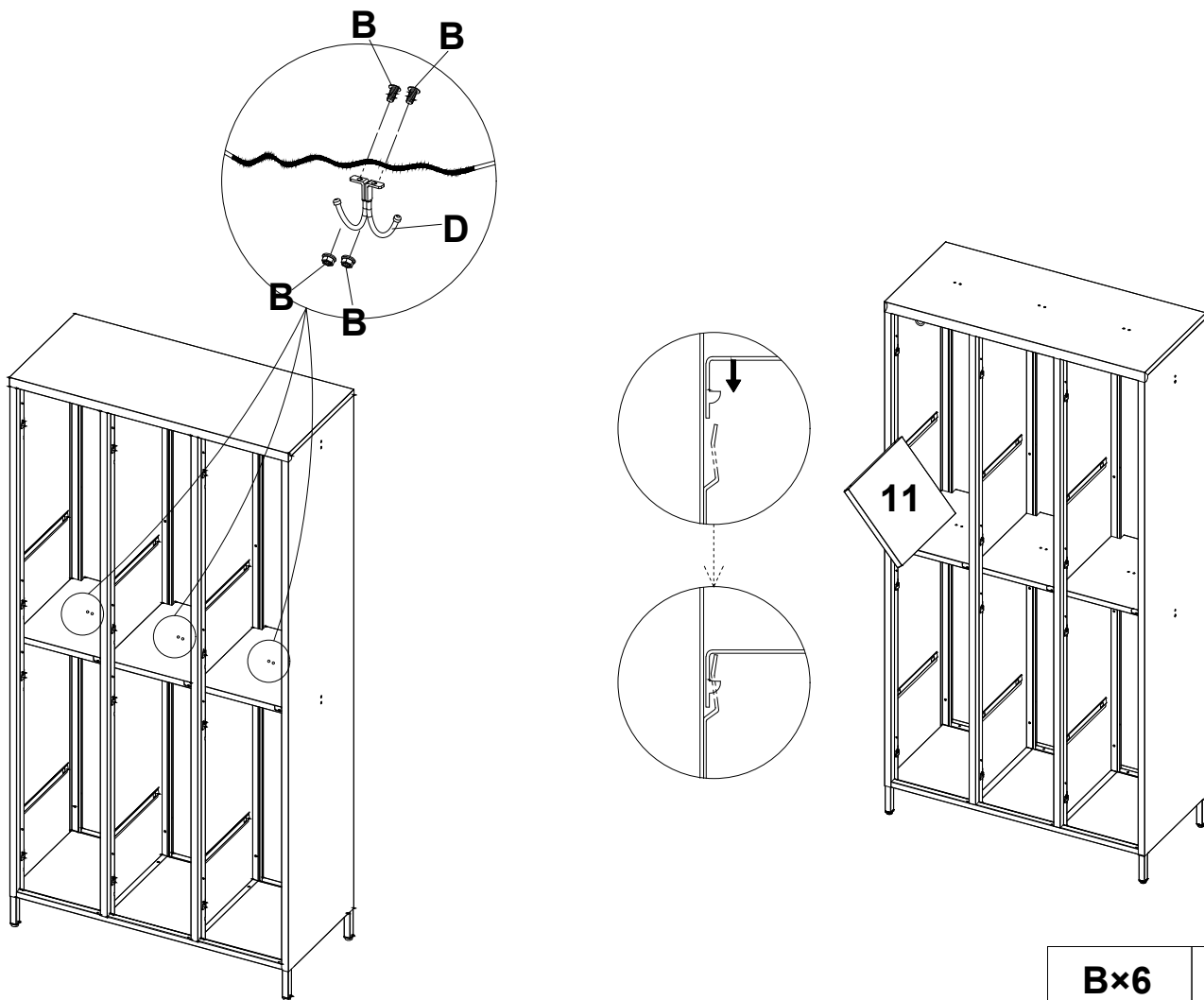


E×2

13

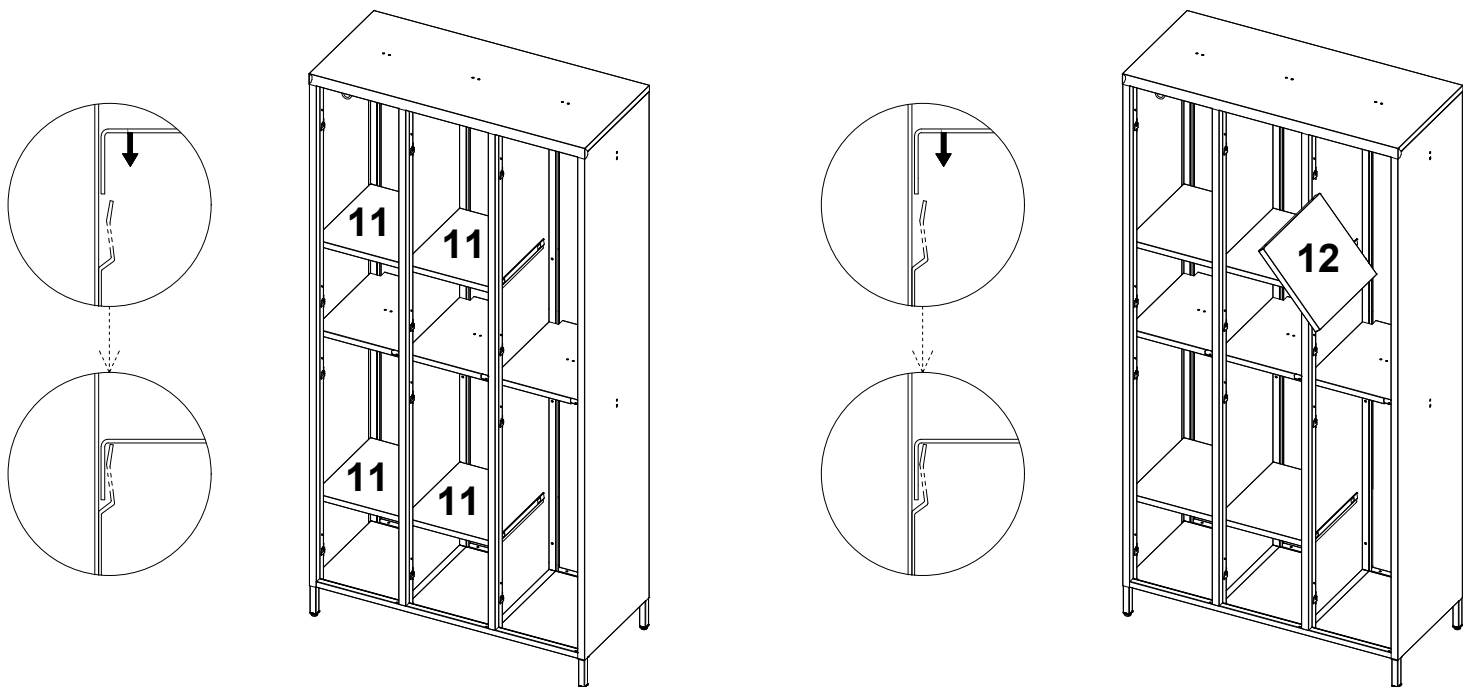


14

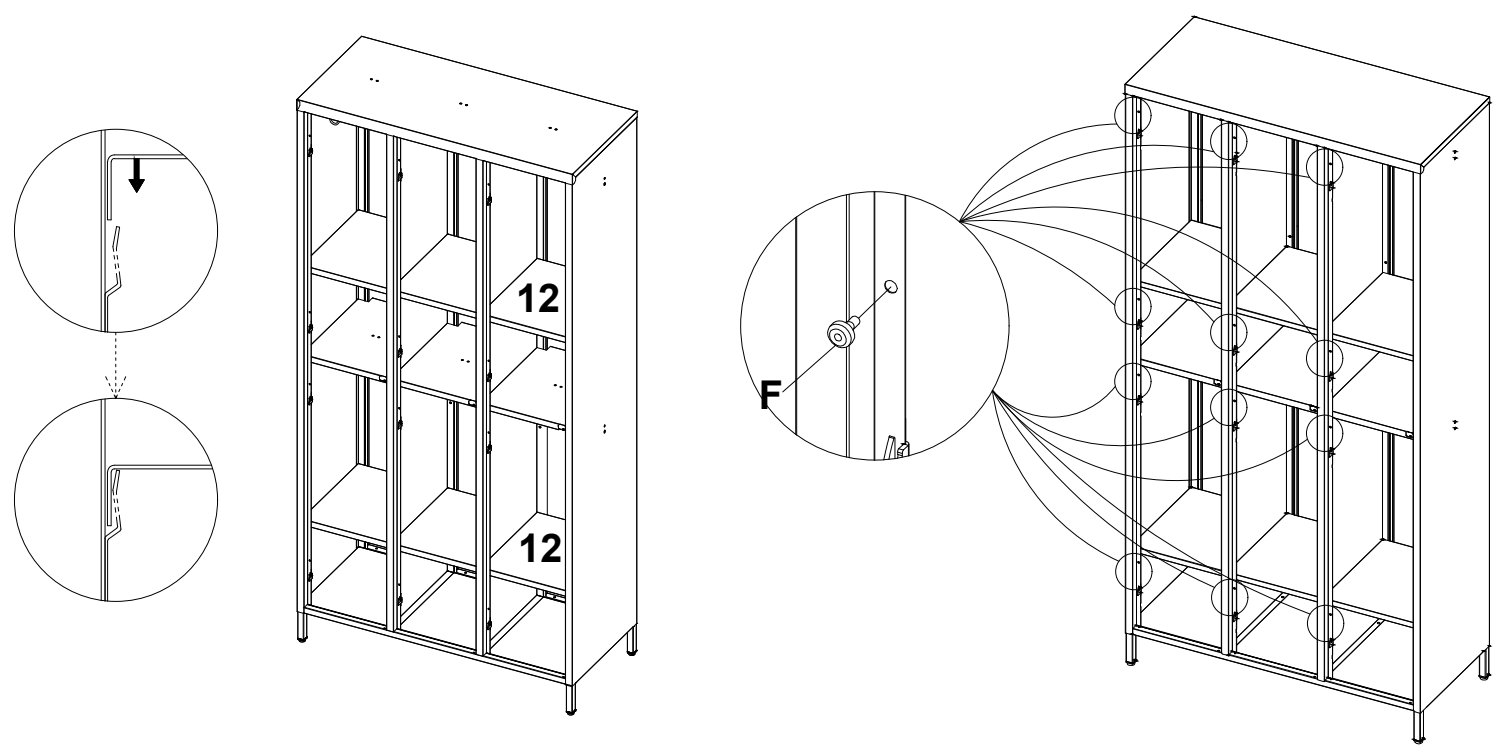


Bx6	Dx3
-----	-----

15

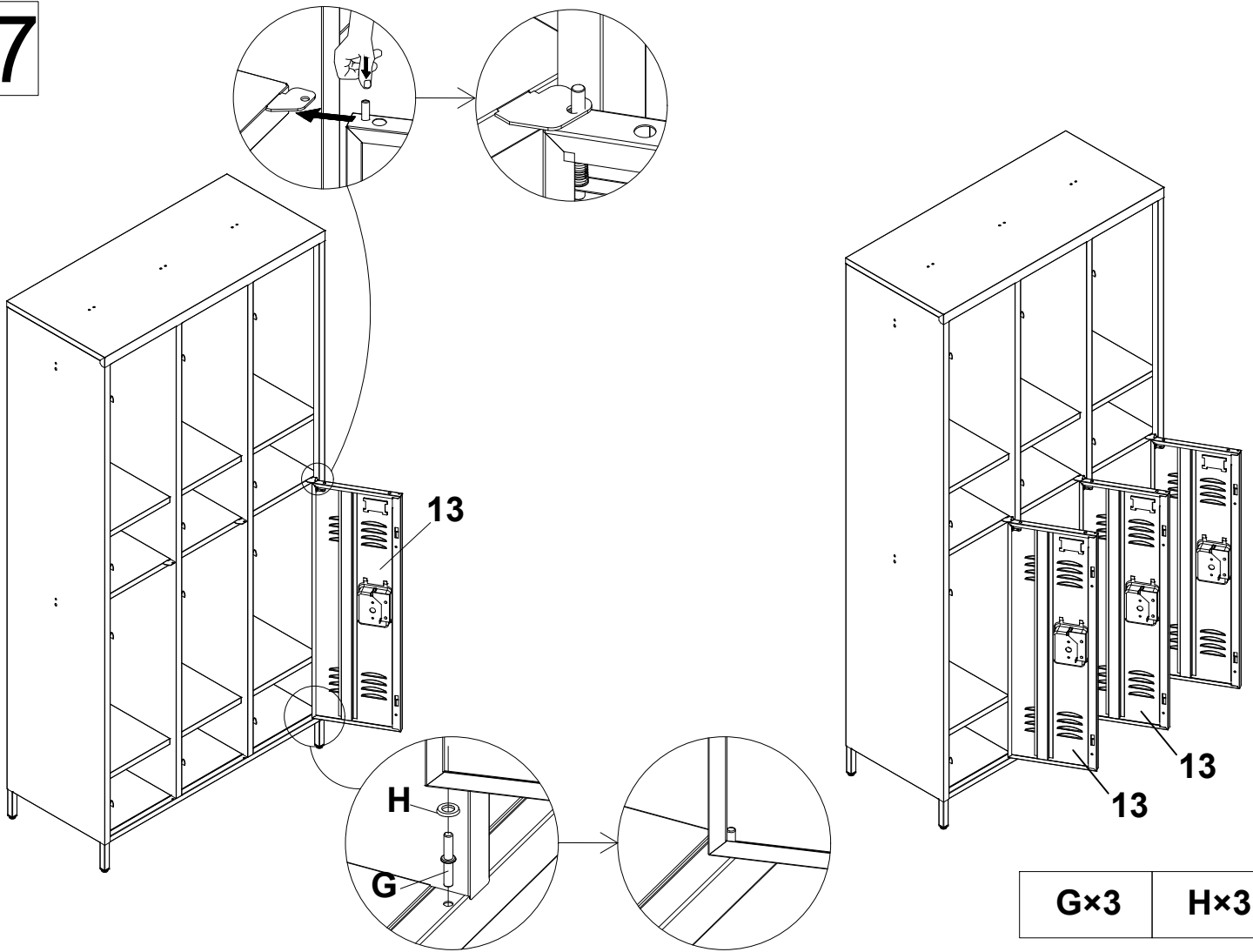


16



F×12

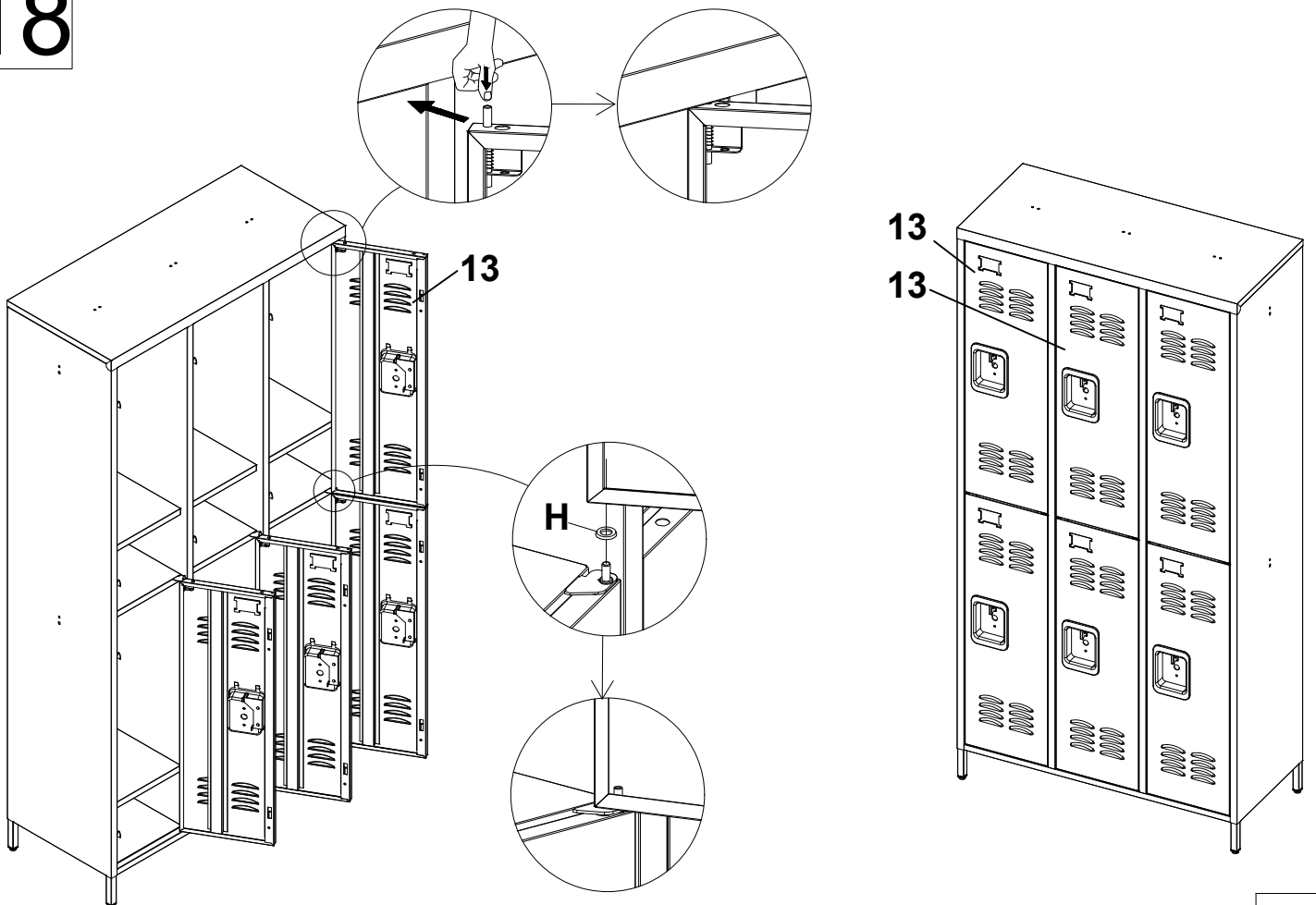
17



Gx3

Hx3

18



Hx3