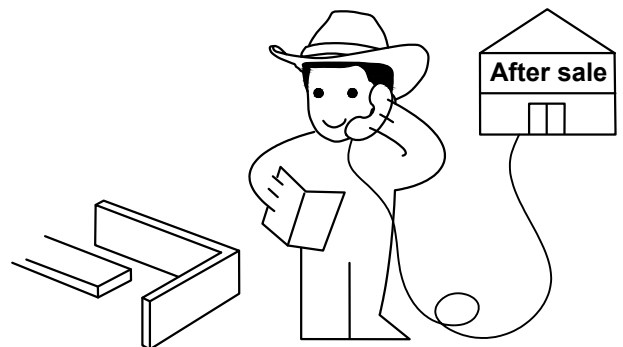
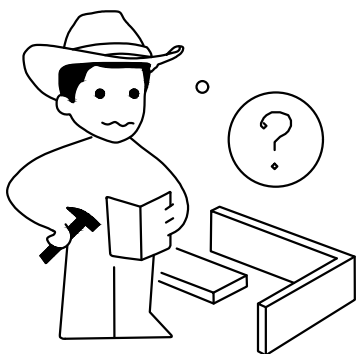
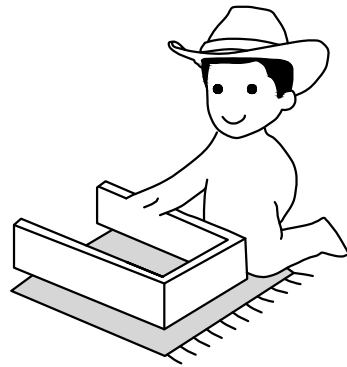
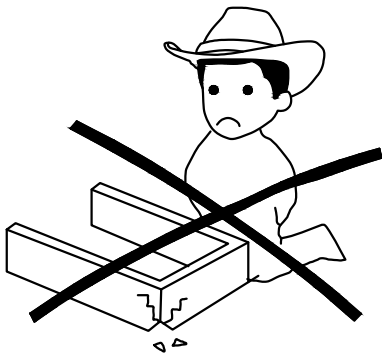
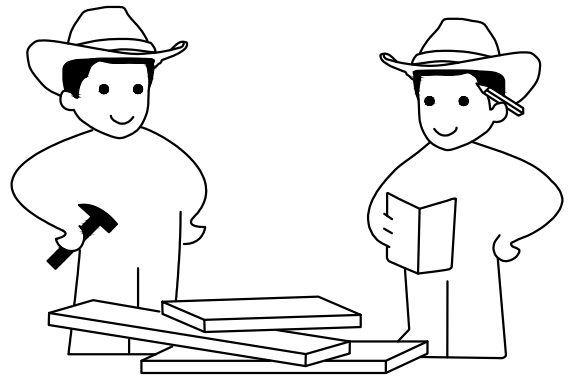
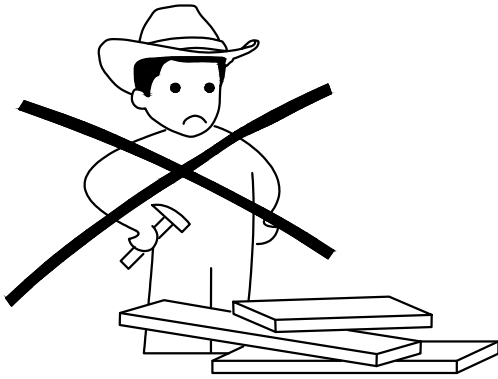
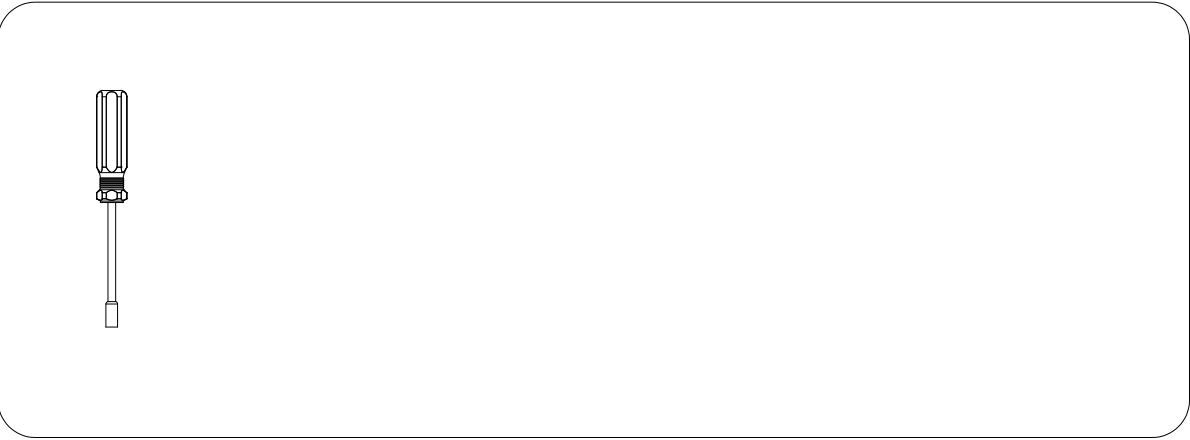
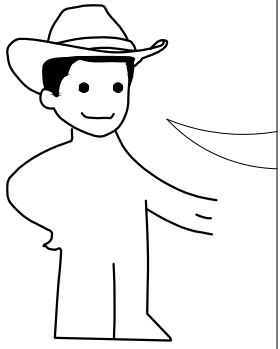
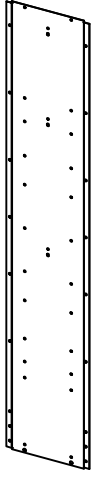


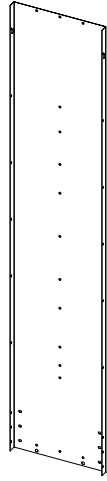
Installation video



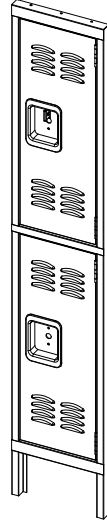
1×2pcs



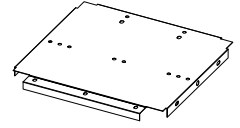
2×1pcs



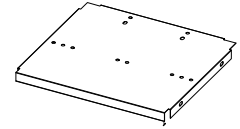
3×1pcs



4×3pcs



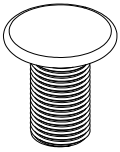
5×2pcs



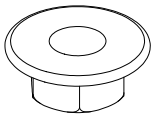
6×2pcs



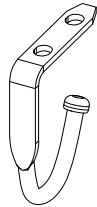
A×88pcs



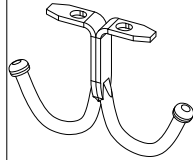
B×88pcs



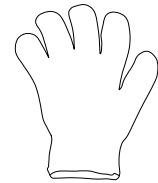
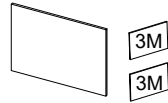
C×4pcs

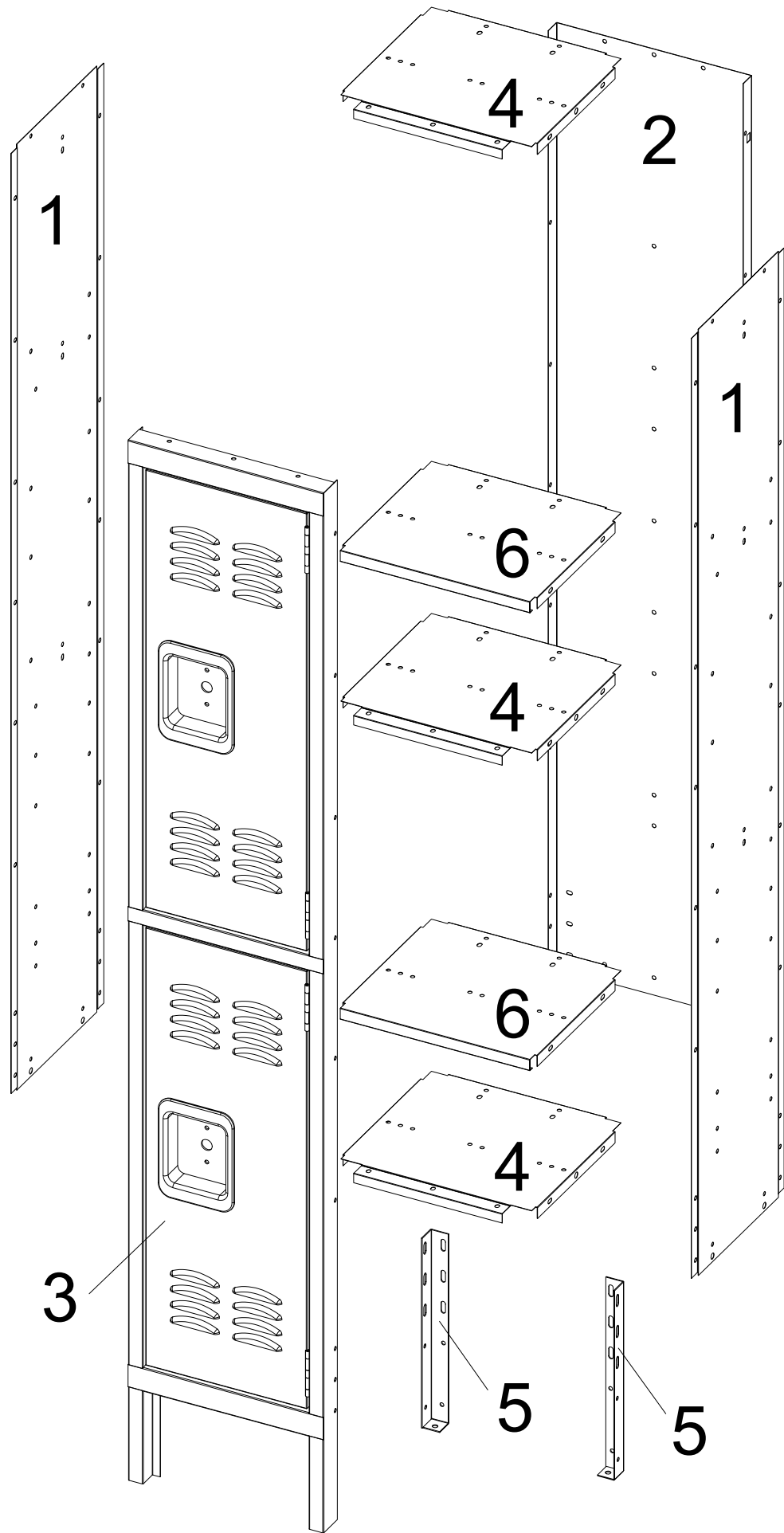


D×2pcs

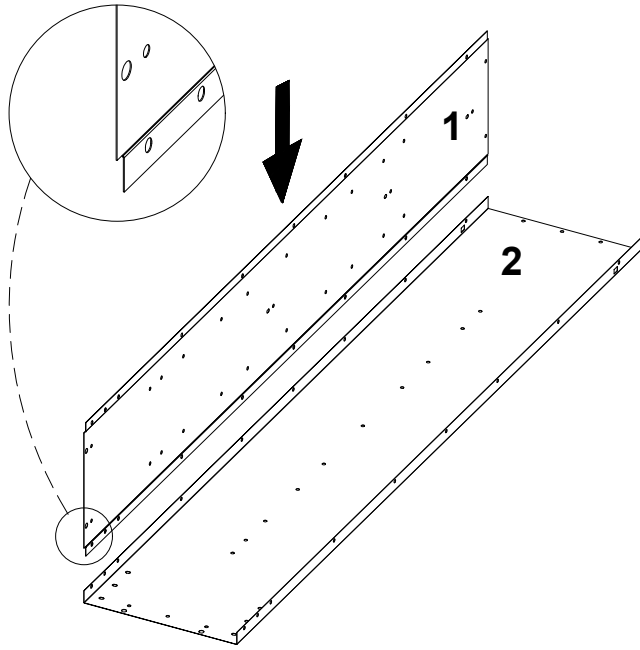


Ex2pcs

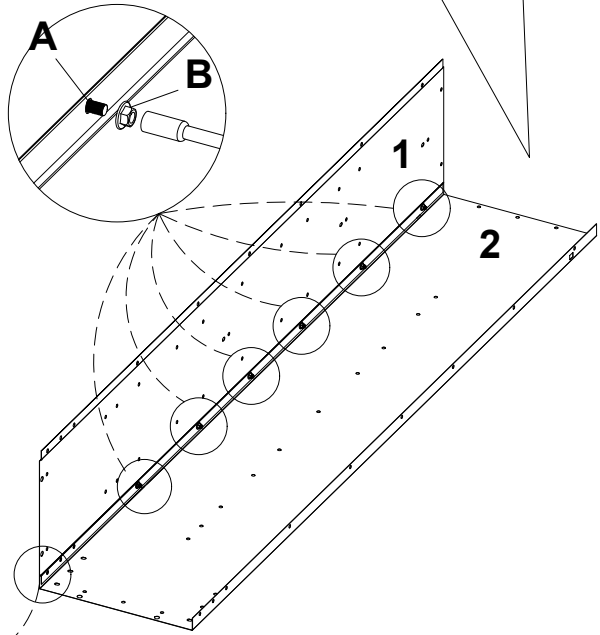






1

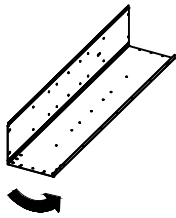


put six bolts and nuts to hold part 1 and 2 into place.

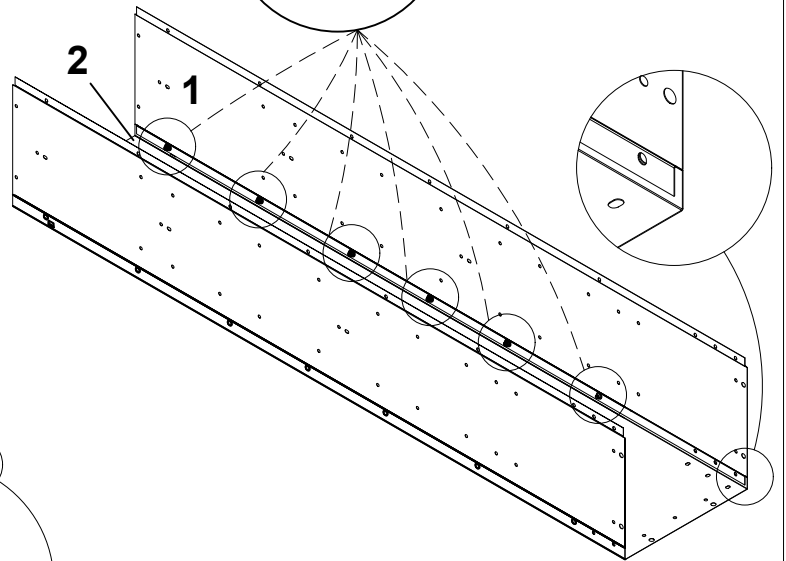
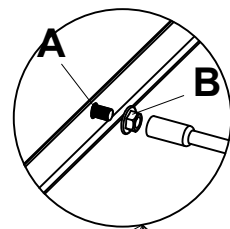
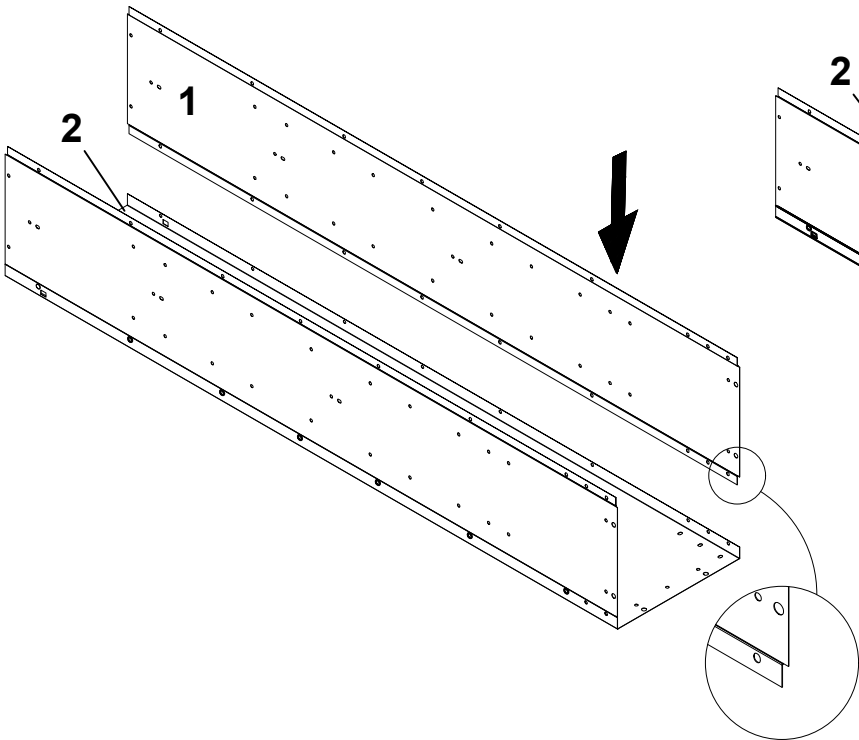




 **A×6**  **B×6**

2

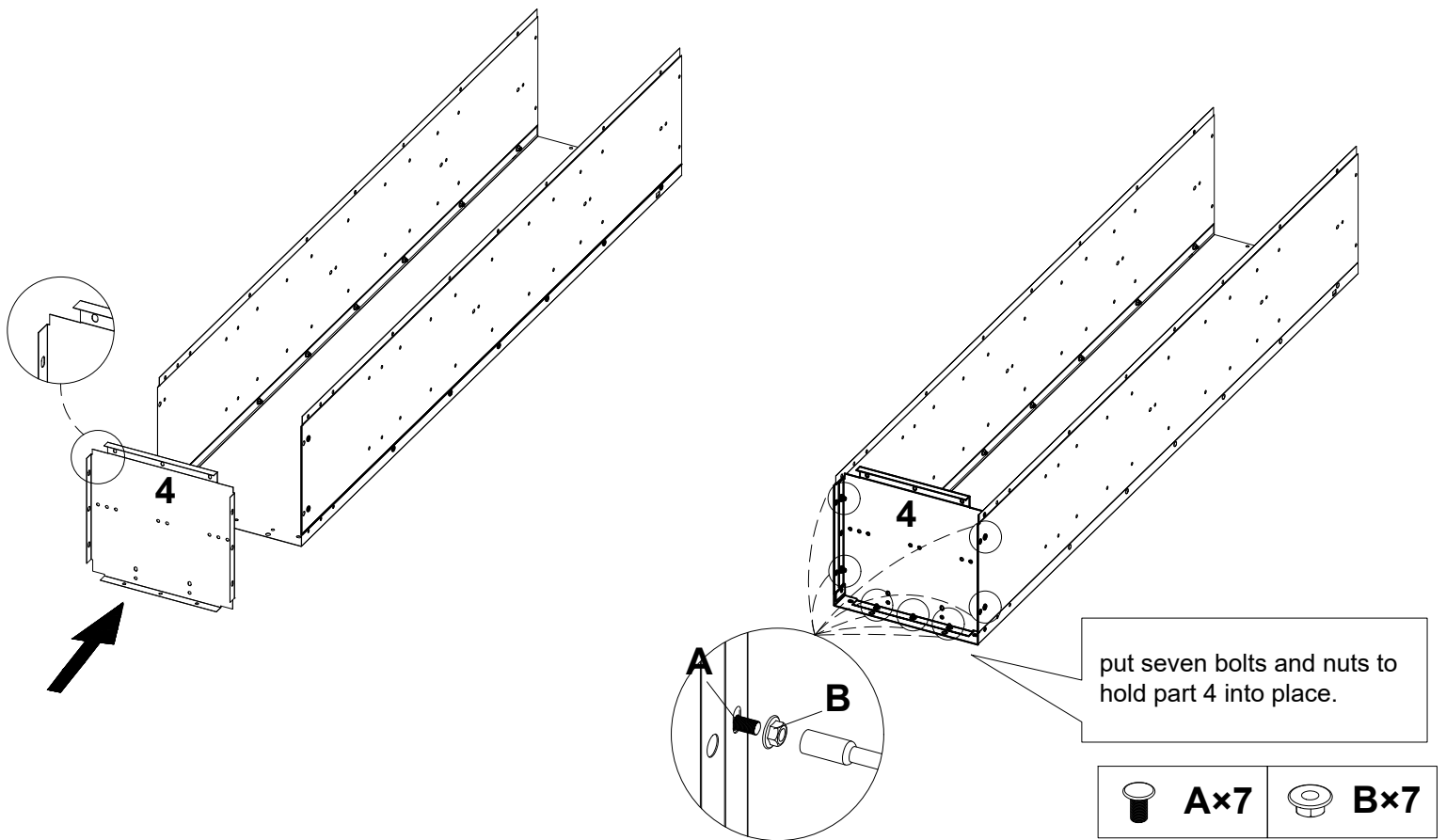


put six bolts and nuts to hold part 1 and 2 into place.

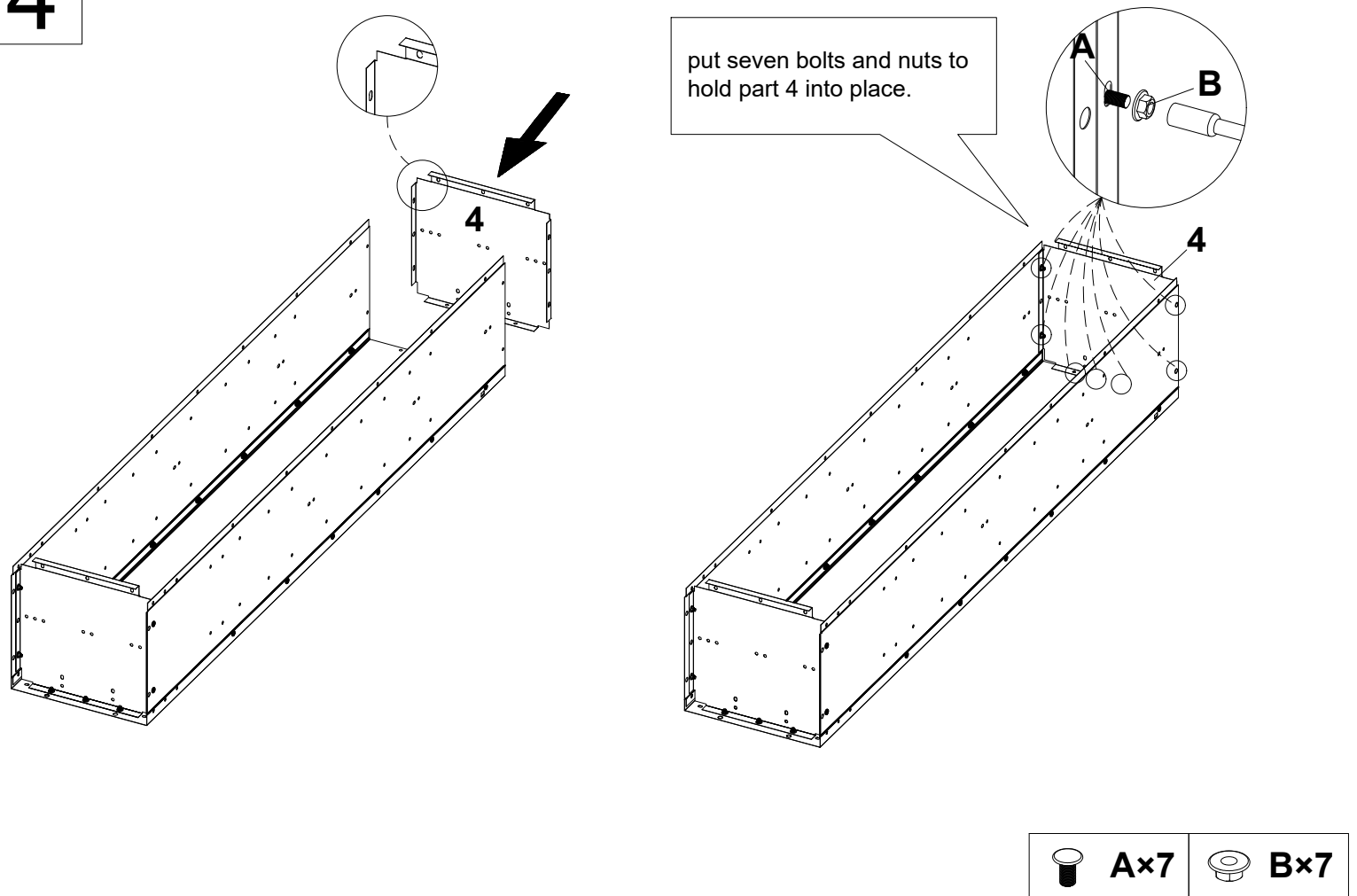


 **A×6**  **B×6**

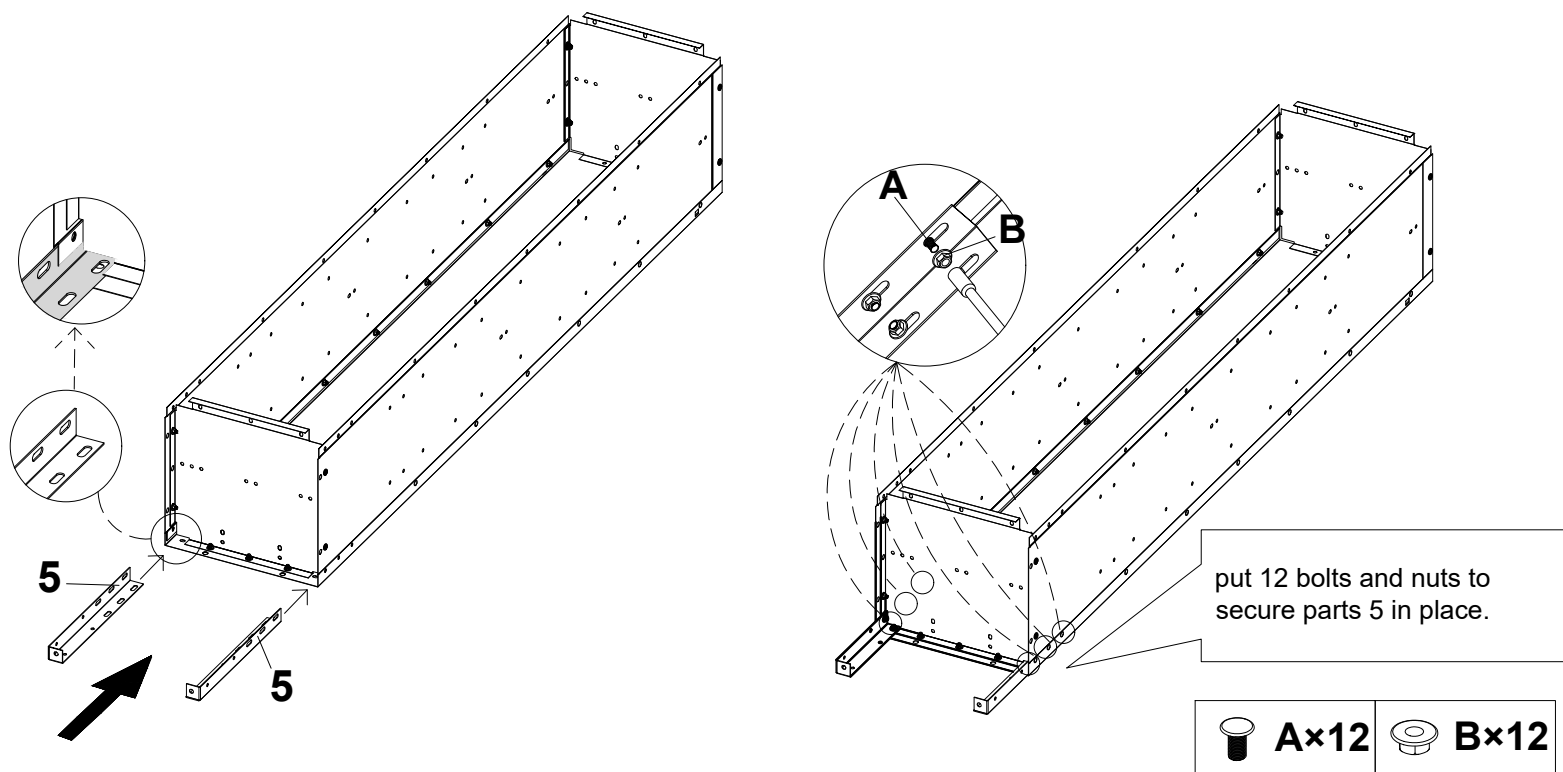
3



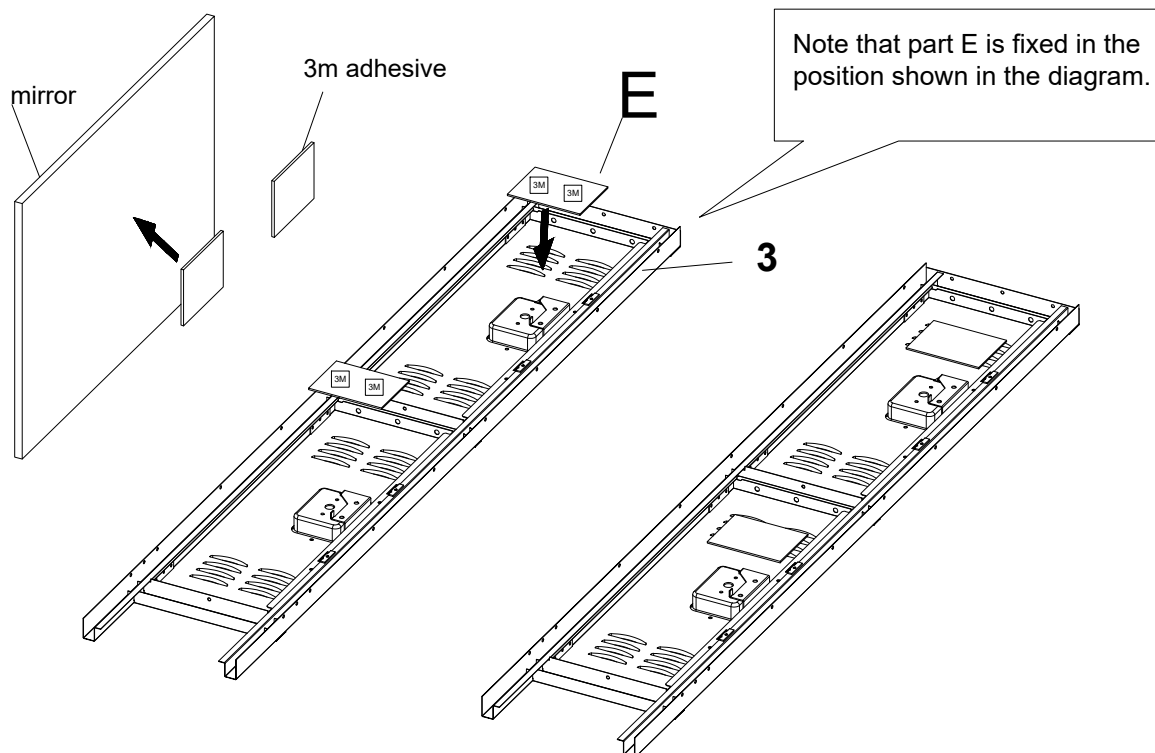
4



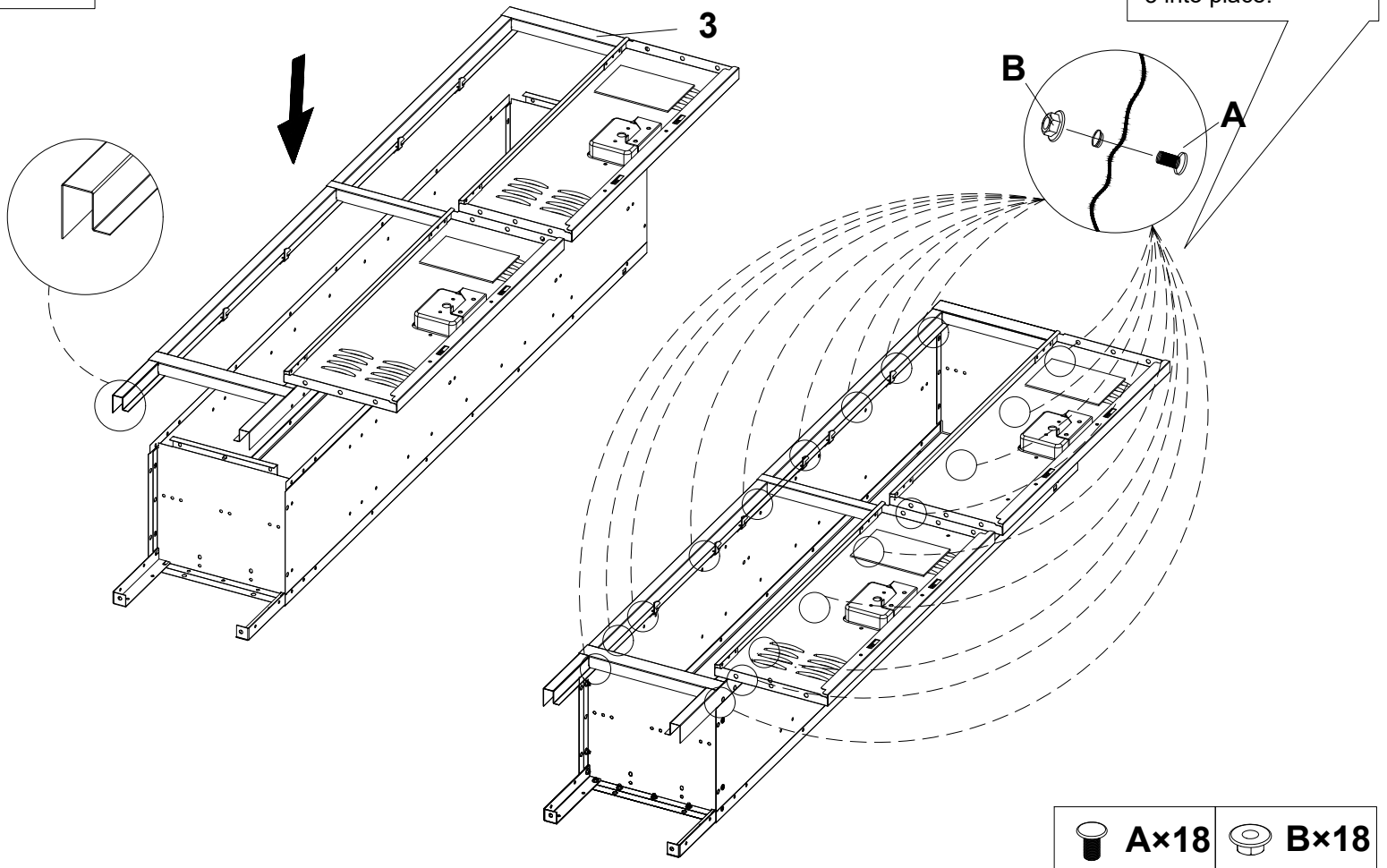
5



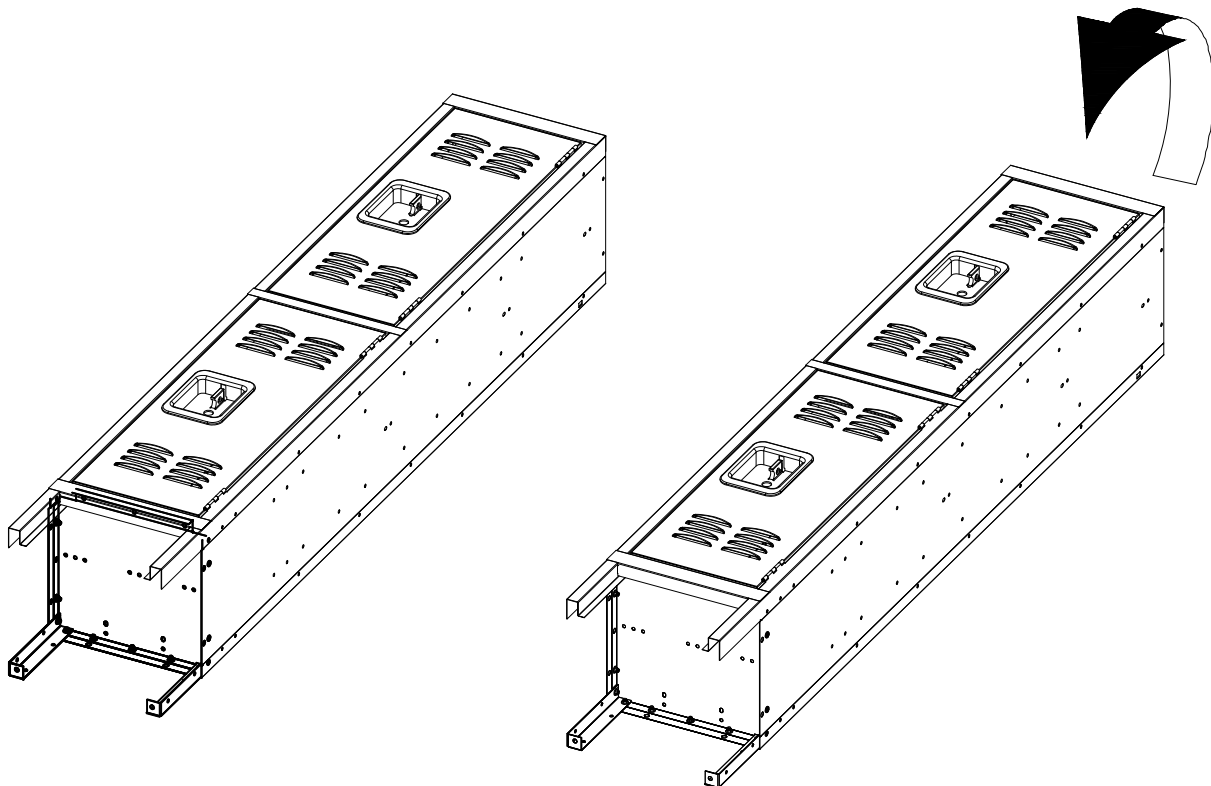
6



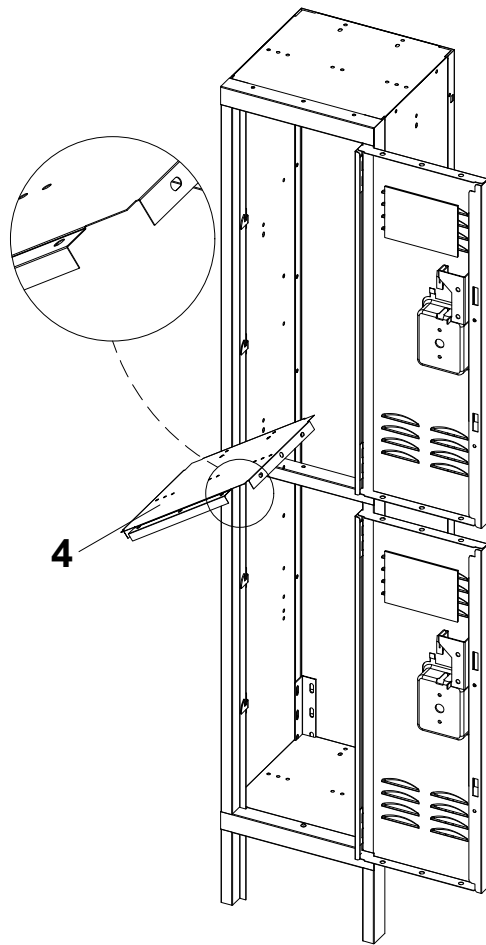
7



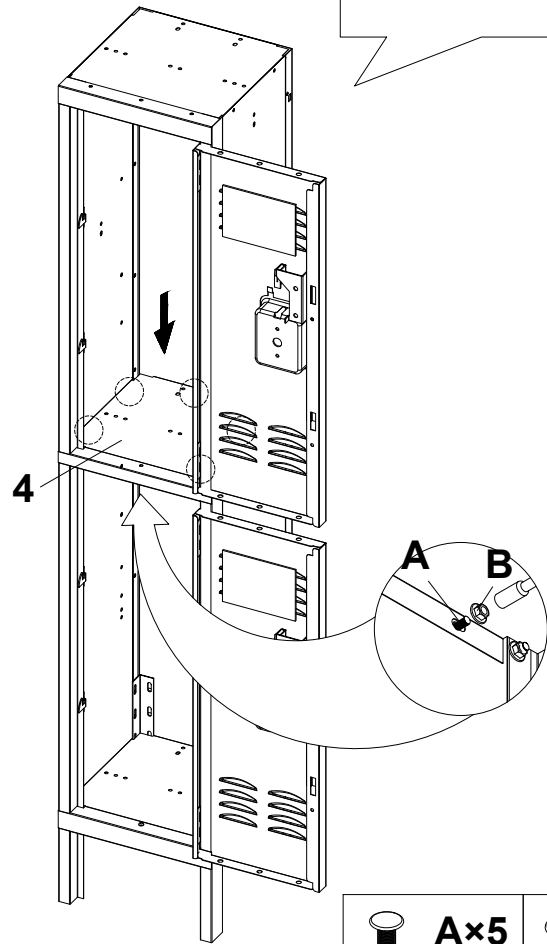
8



9

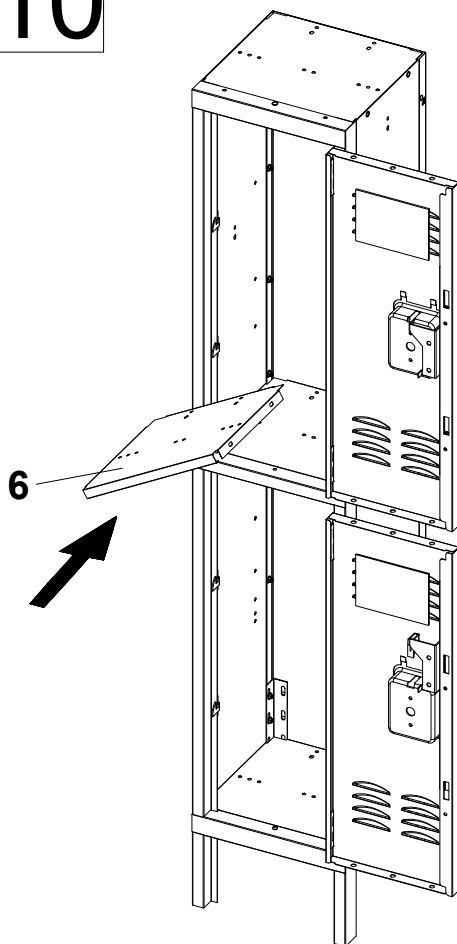


put five bolts and nuts to hold part 4 into place.

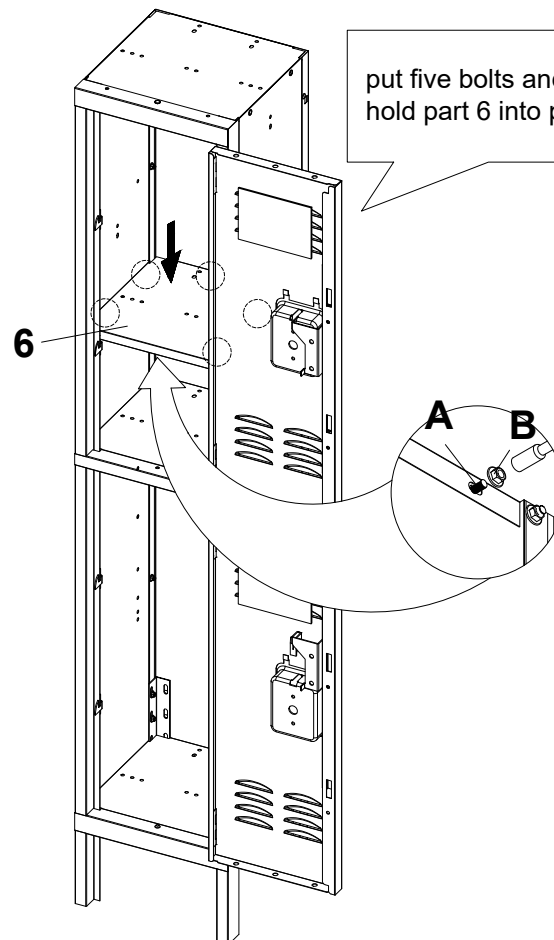


 A×5  B×5

10

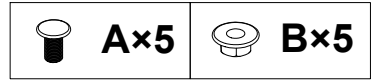
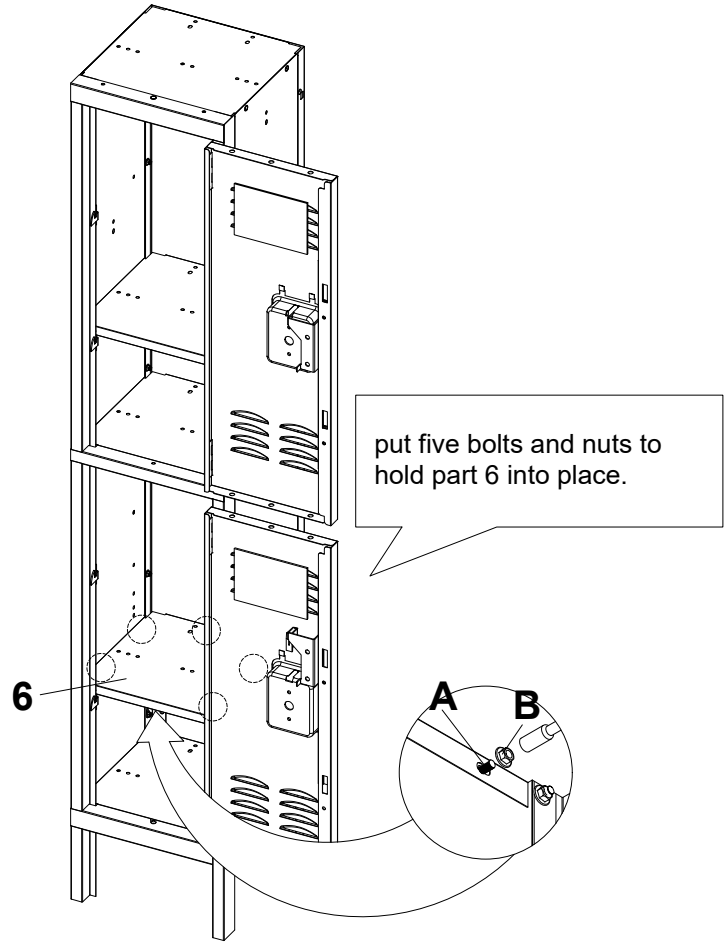
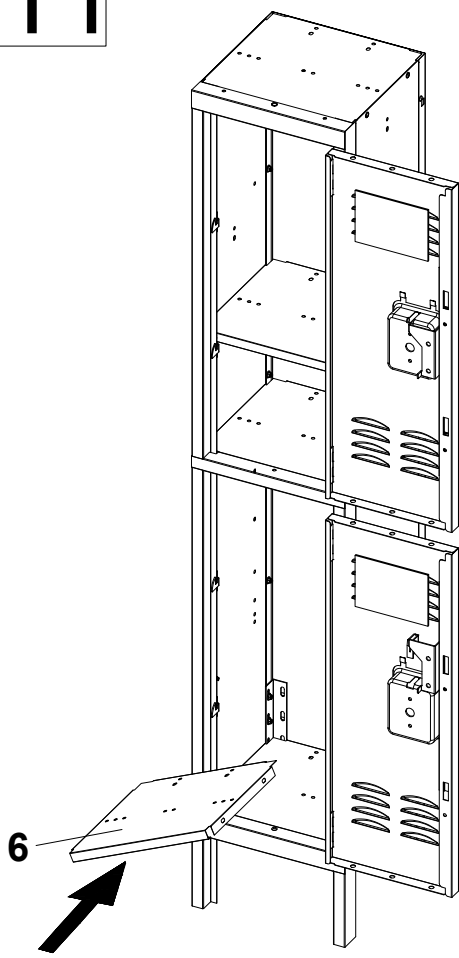


put five bolts and nuts to hold part 6 into place.

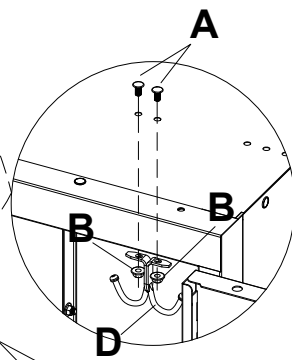
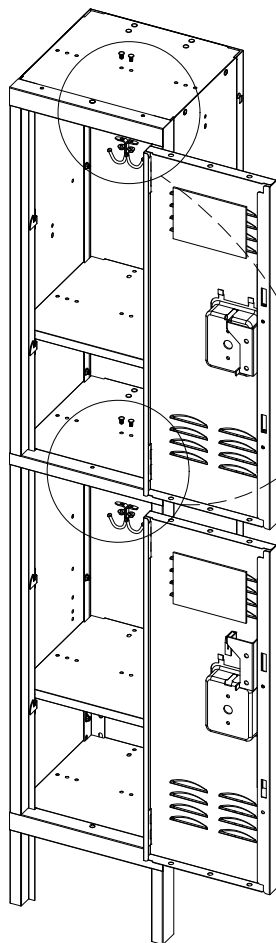


 A×5  B×5

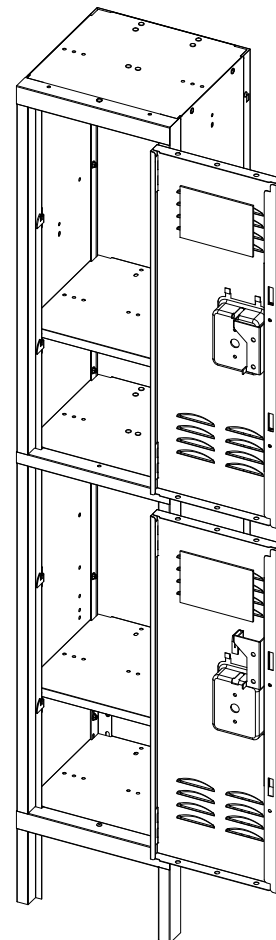
11



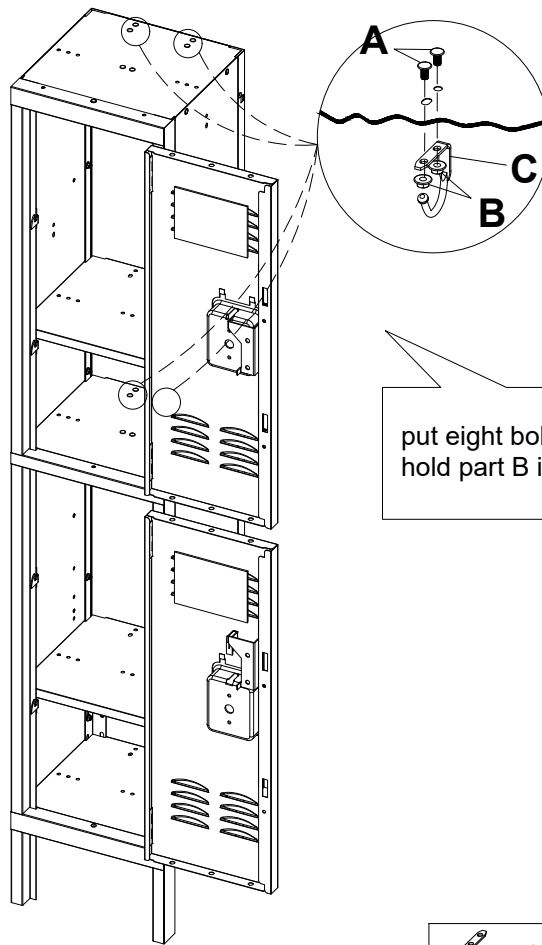
12



put four bolts and nuts to hold part D into place.



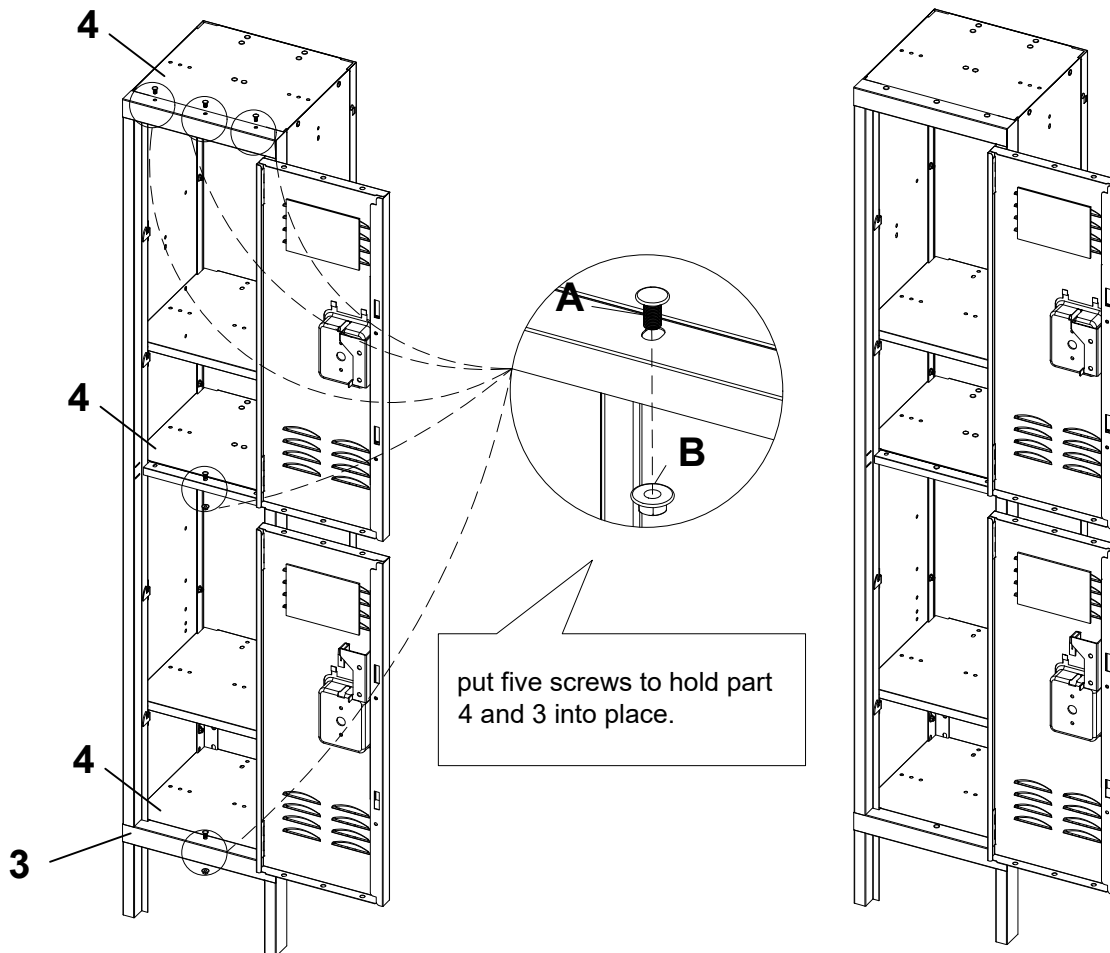
13



put eight bolts and nuts to hold part B into place.

 C×4	 A×8	 B×8
---	---	---

14



put five screws to hold part 4 and 3 into place.

 A×5	 B×5
---	---

15

