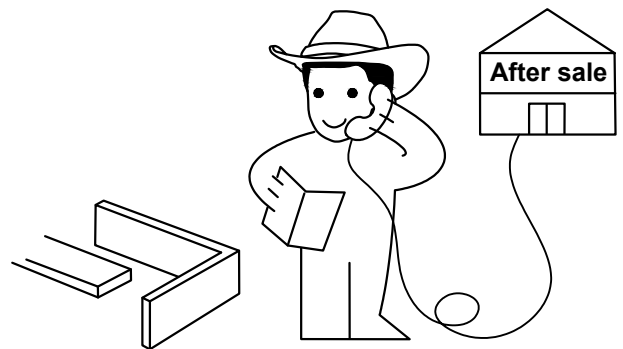
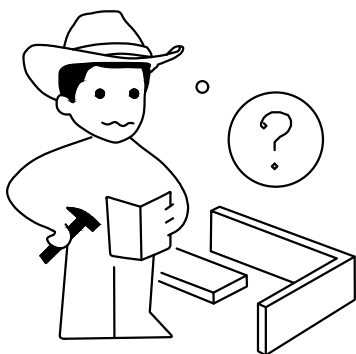
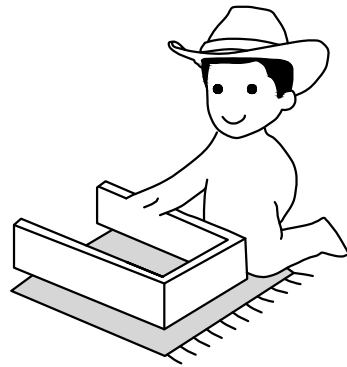
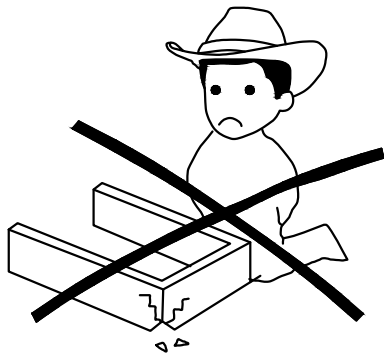
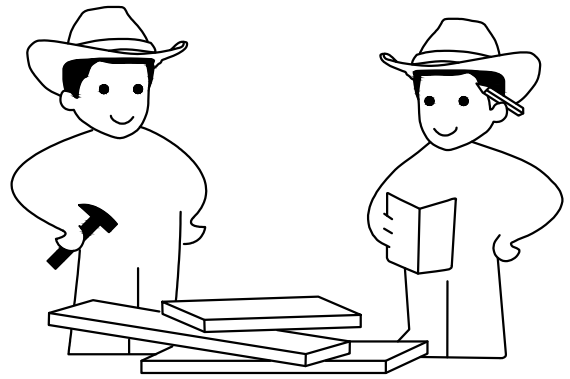
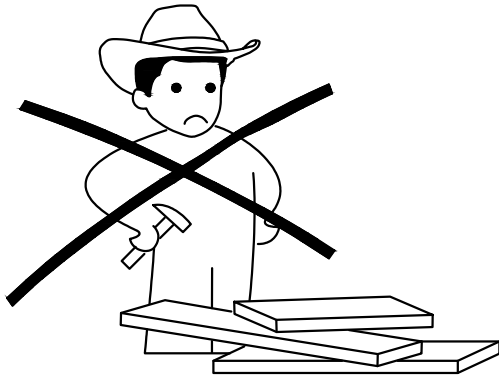
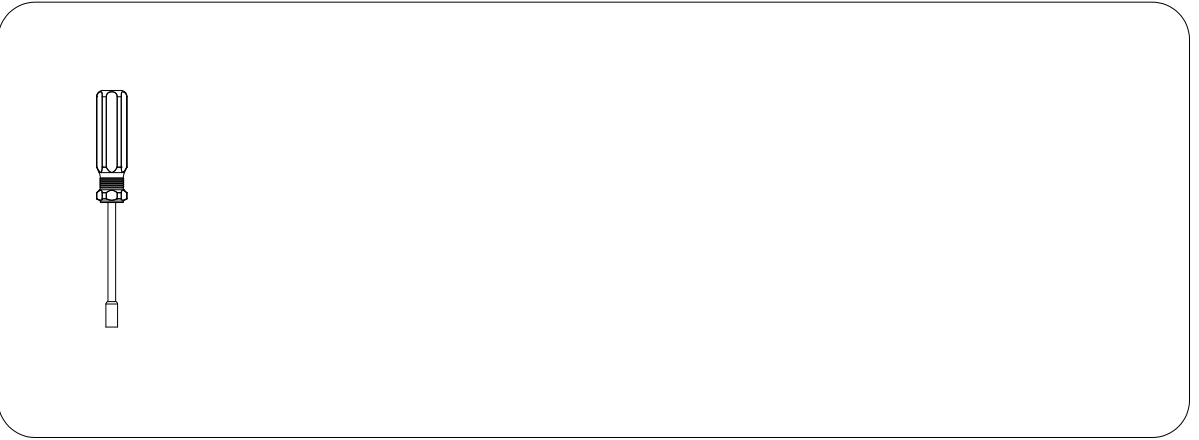
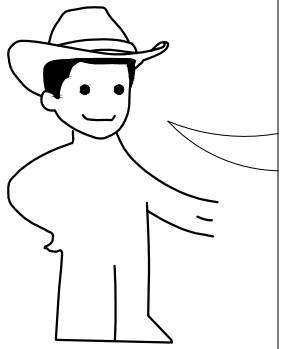
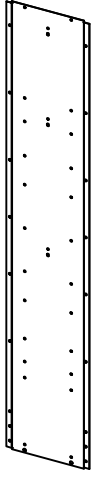


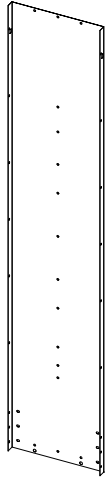
Installation video



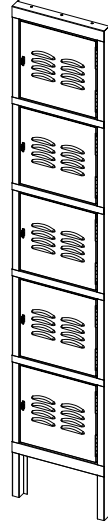
1×2pcs



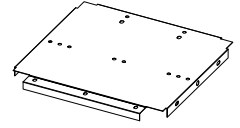
2×1pcs



3×1pcs



4×6pcs

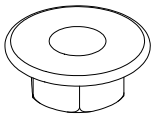
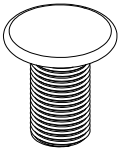


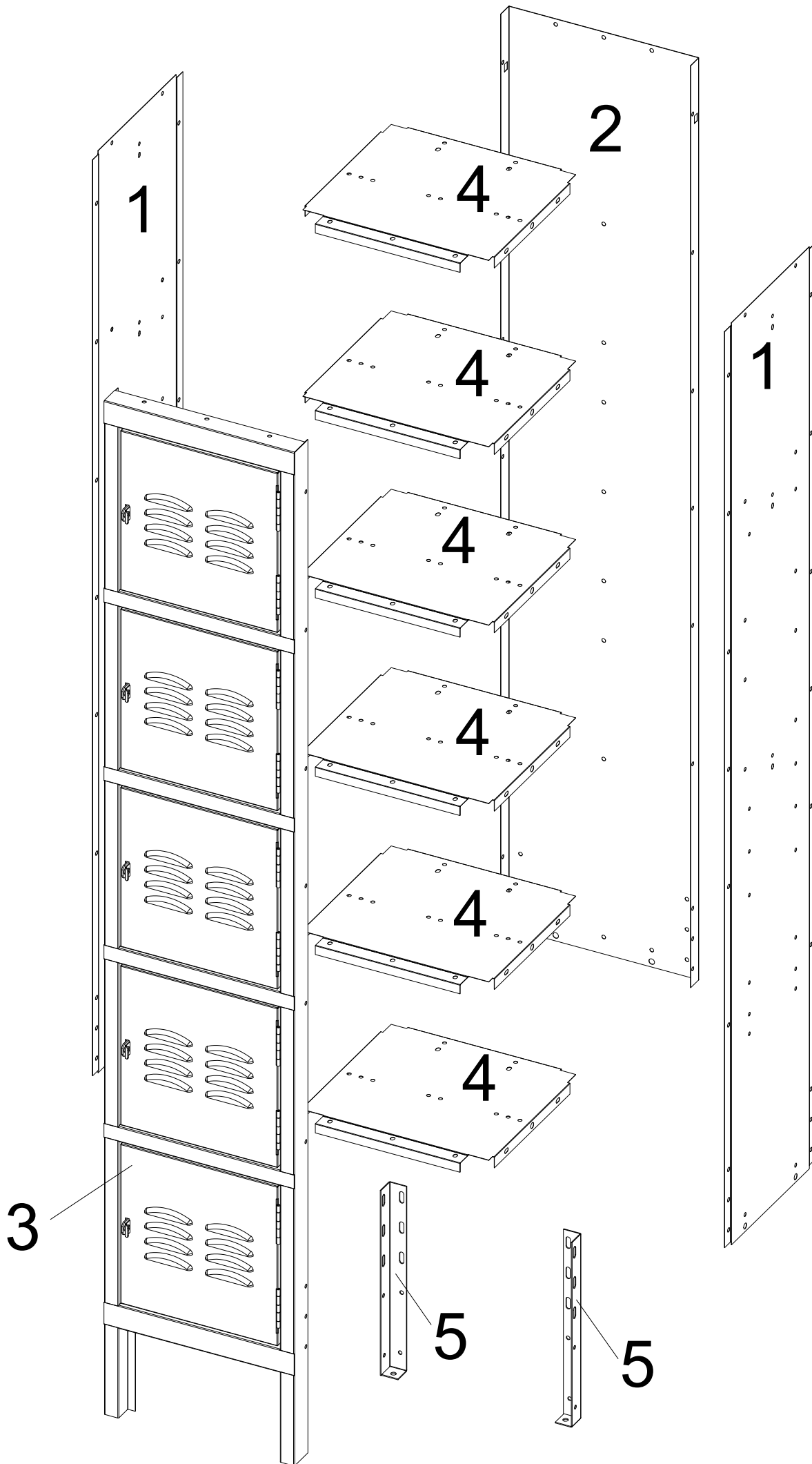
5×2pcs



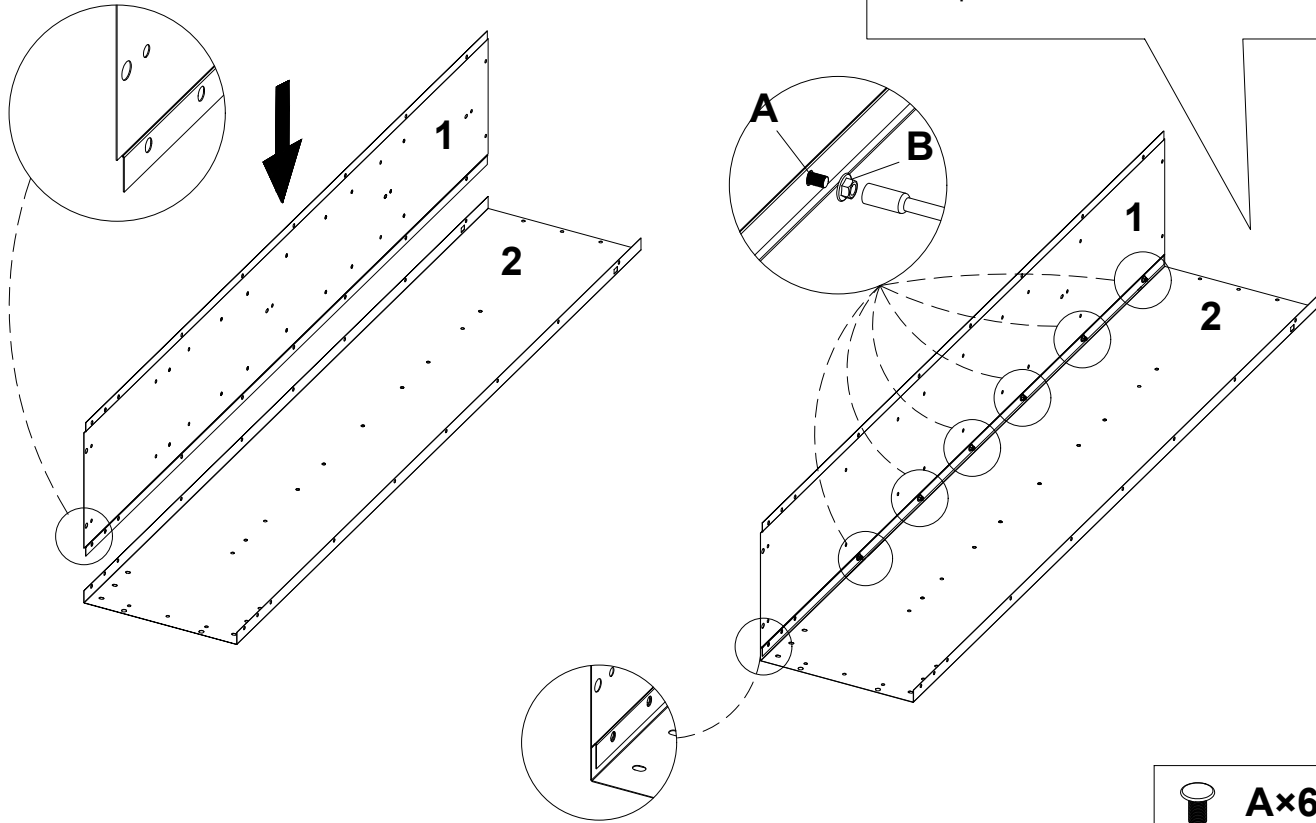
A×84pcs

B×84pcs

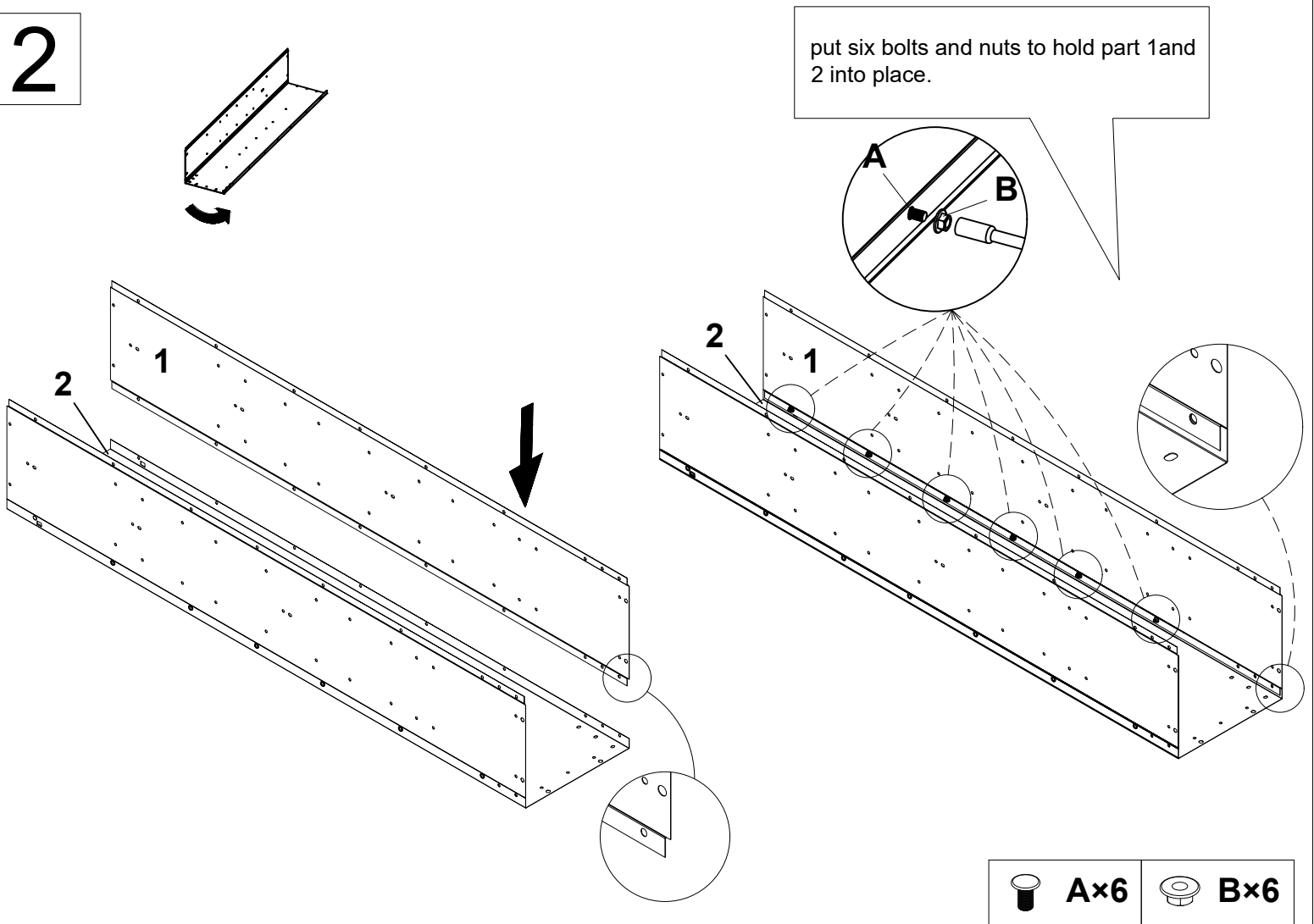




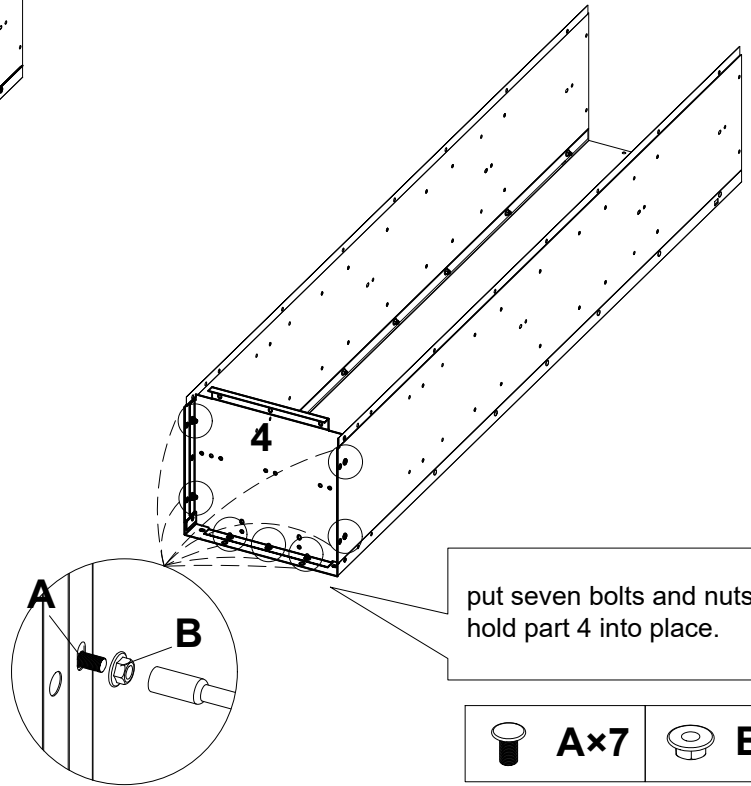
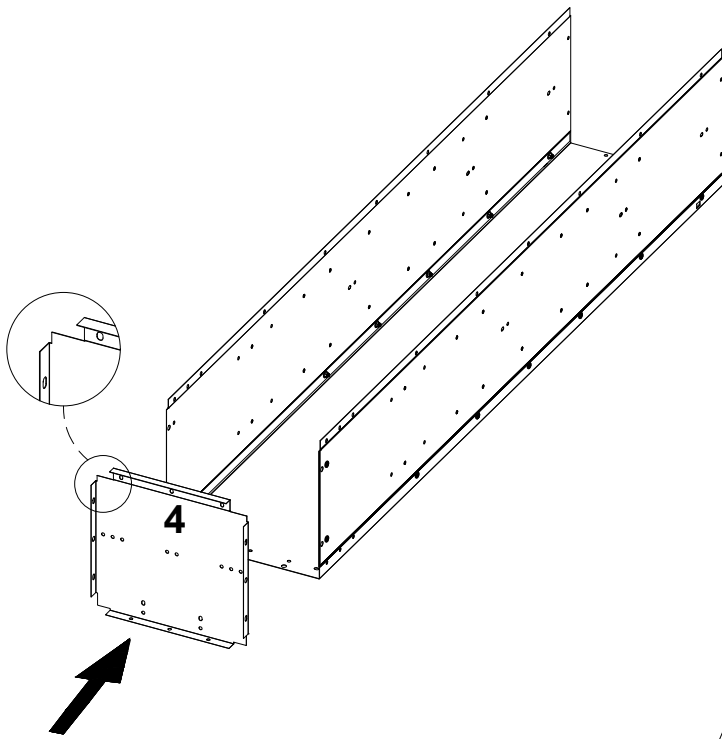
1



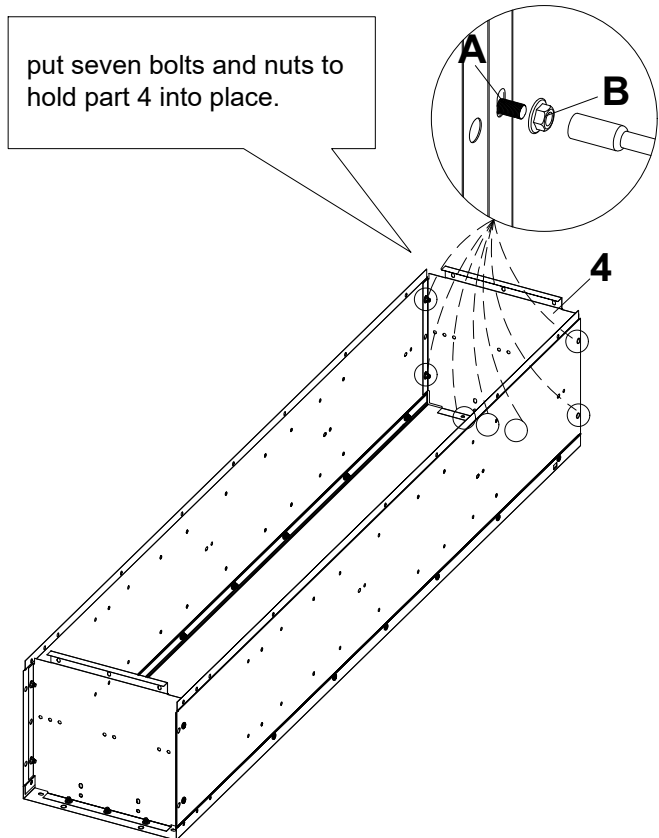
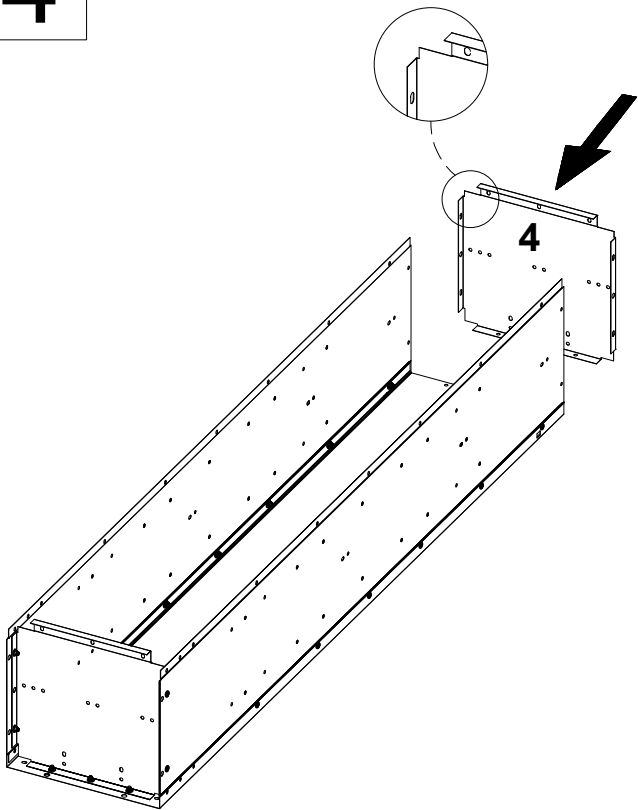
2



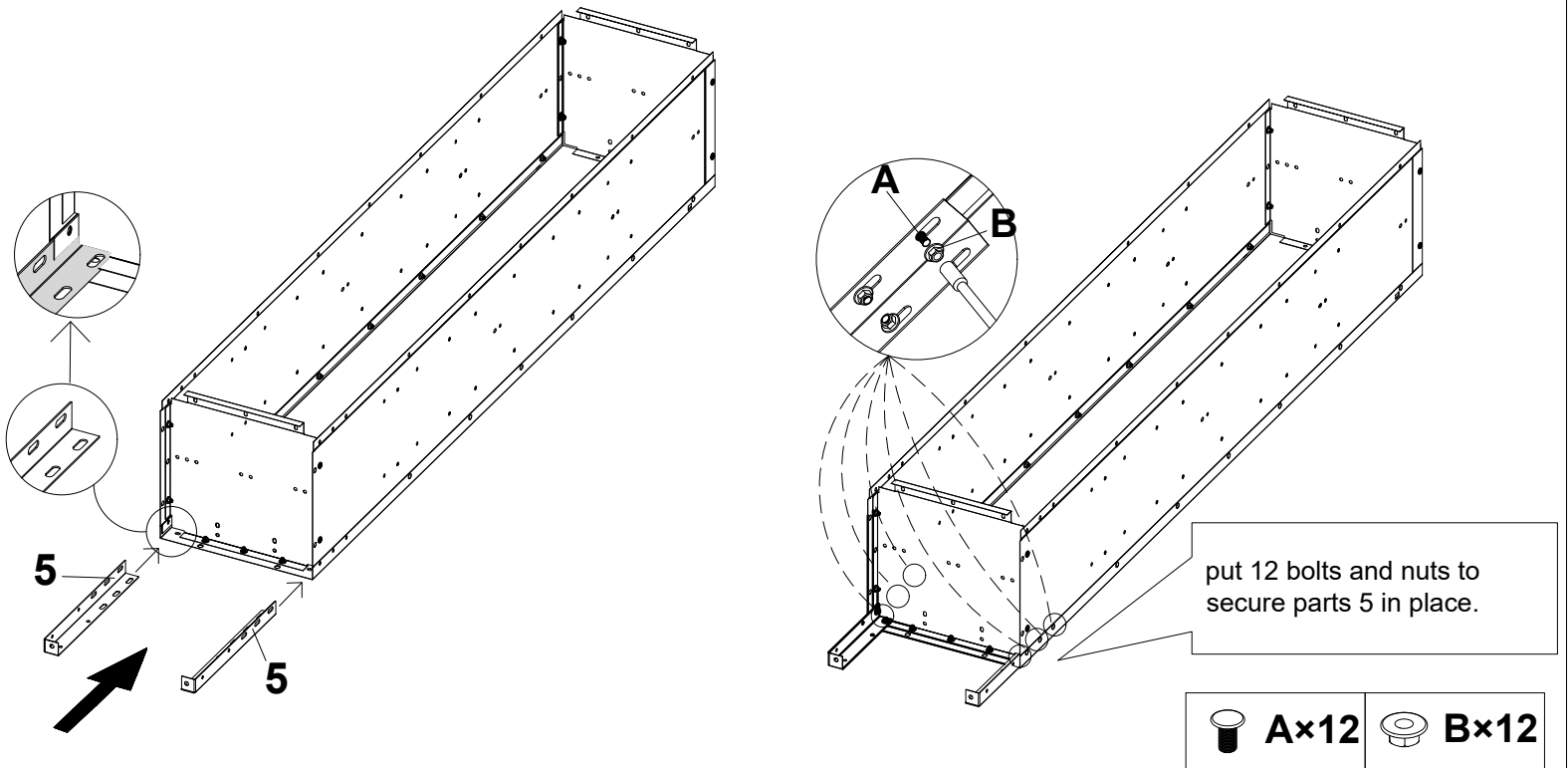
3



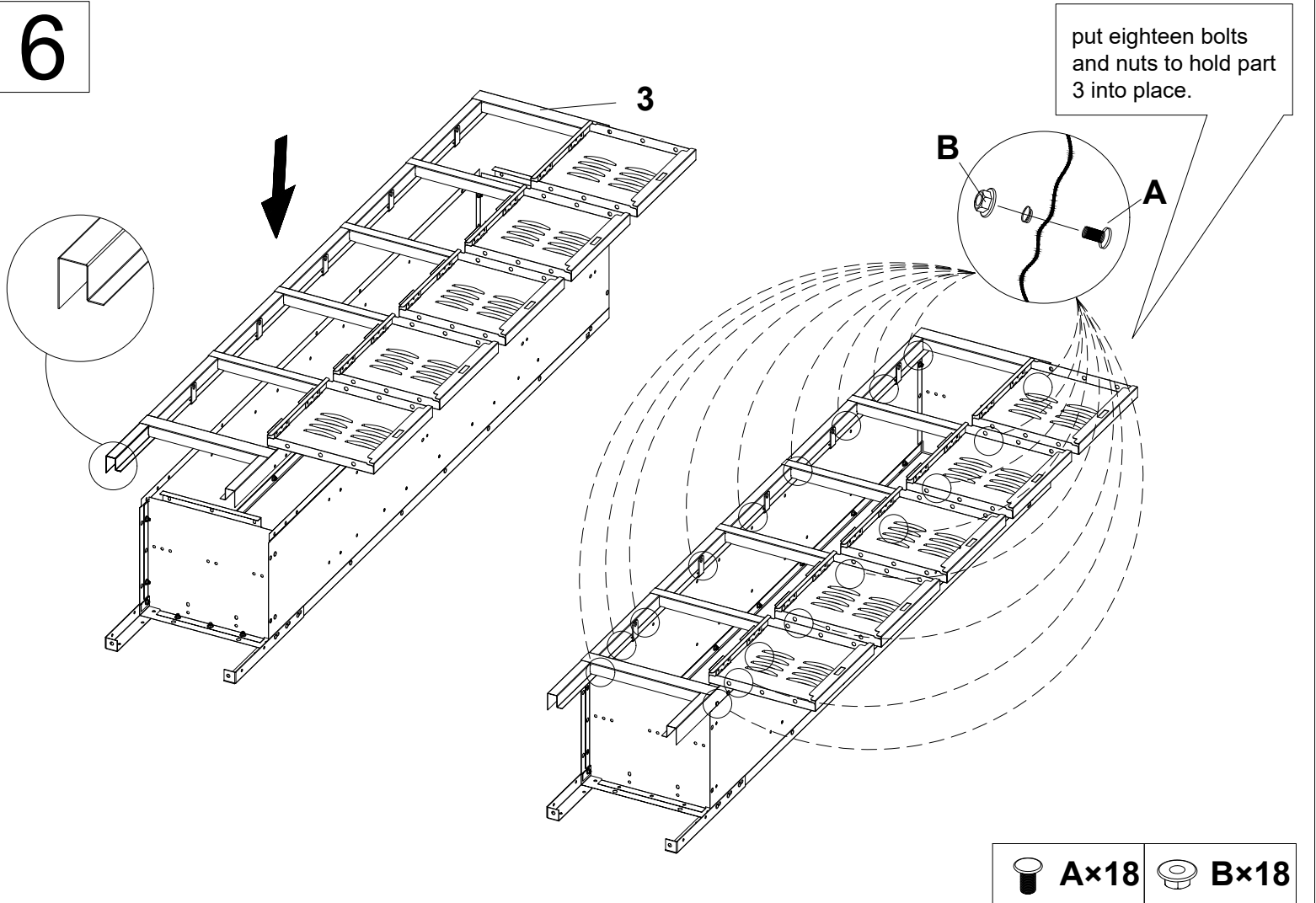
4



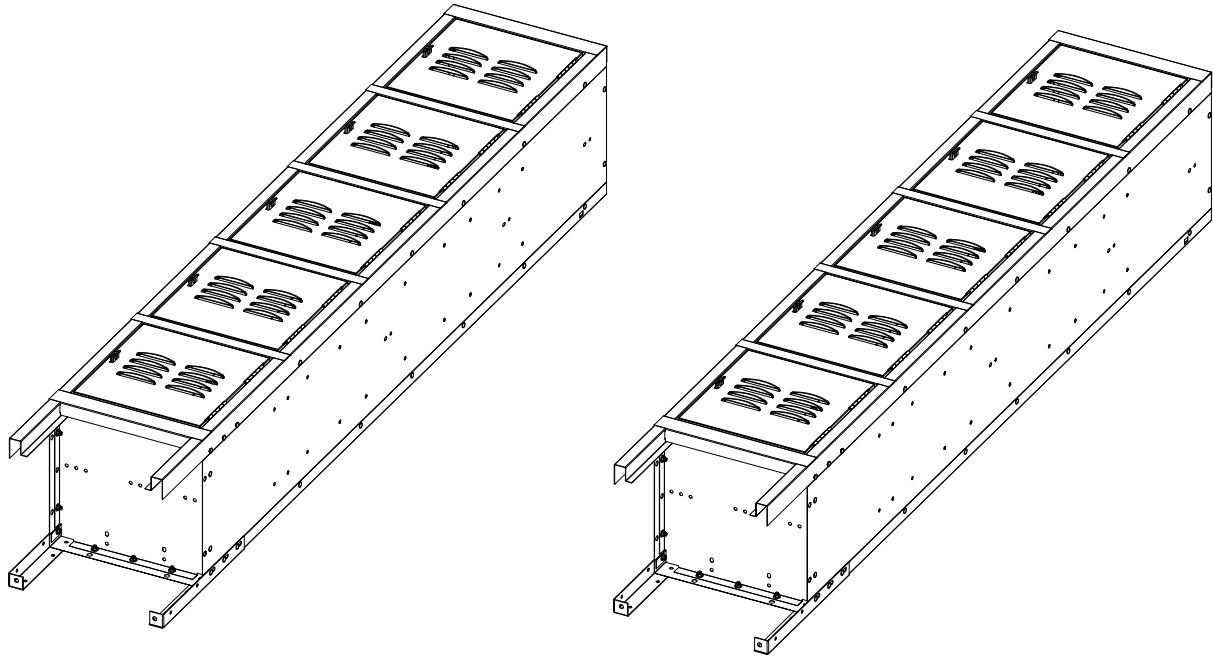
5



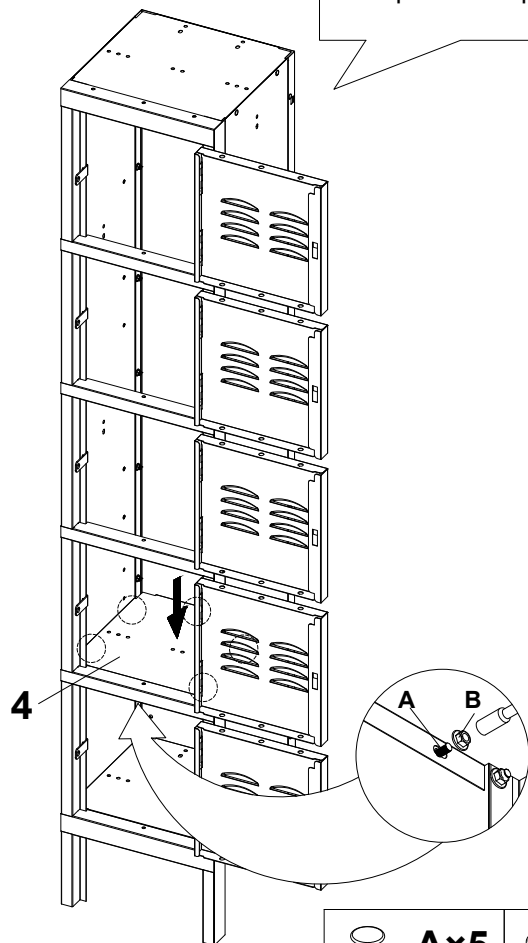
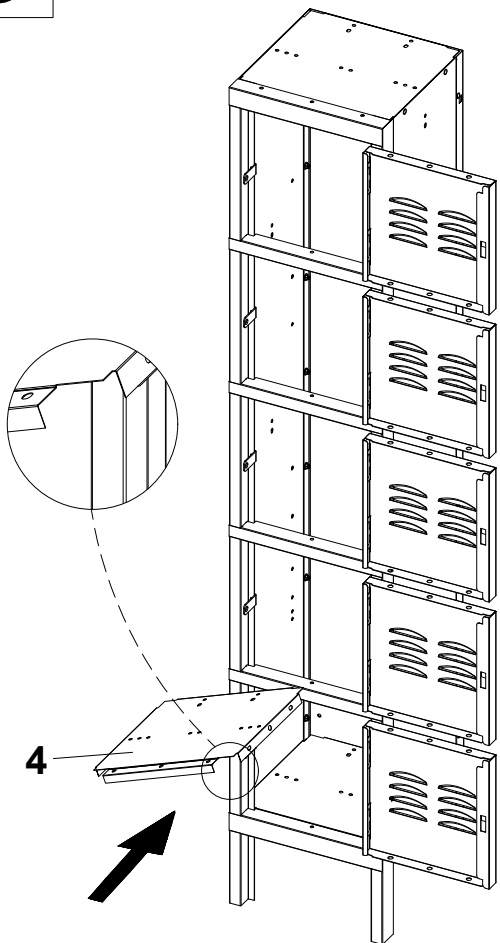
6



7



8



put five bolts and nuts to hold part 4 into place.

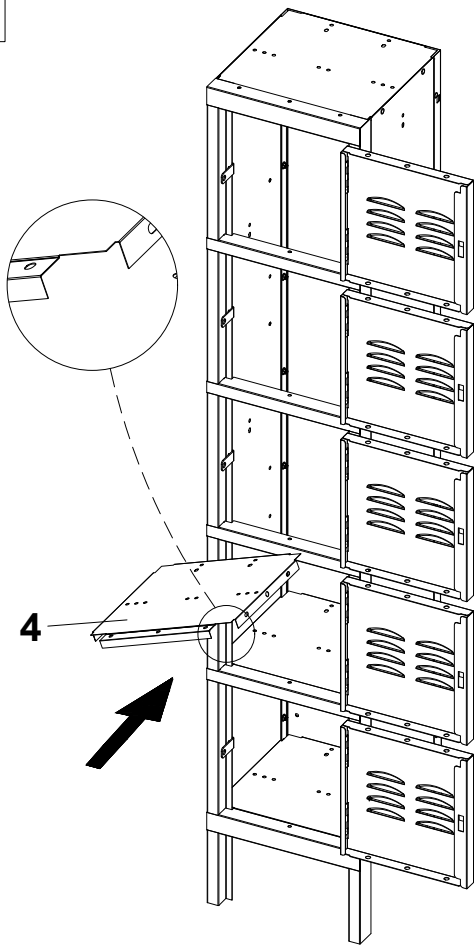


A×5

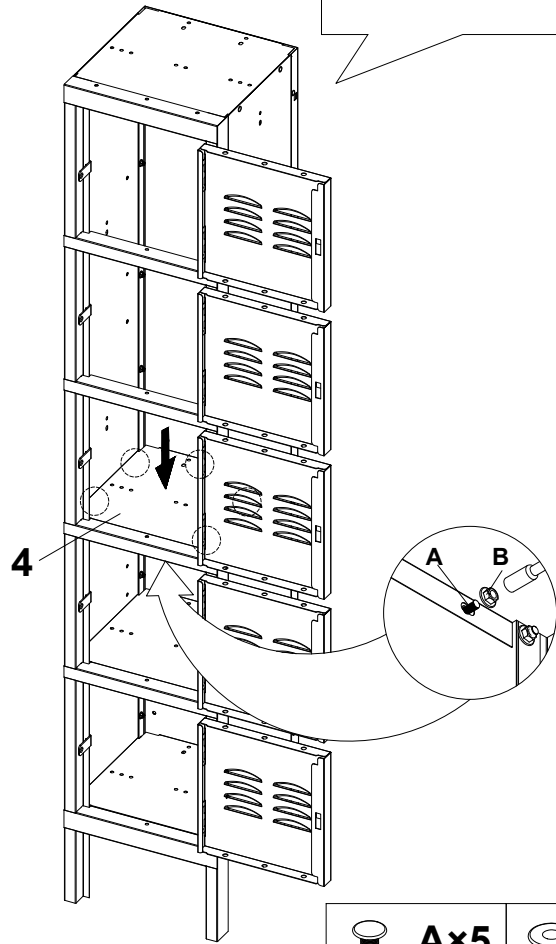


B×5

9

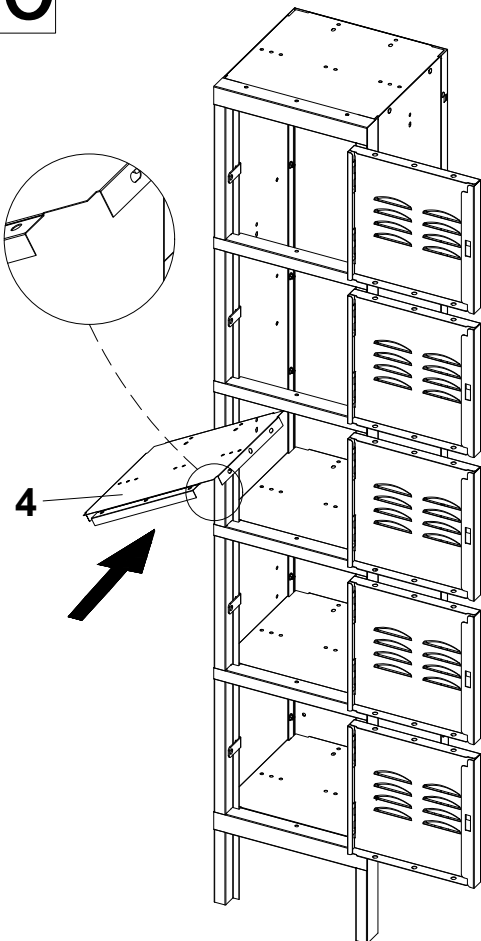


put five bolts and nuts to hold part 4 into place.

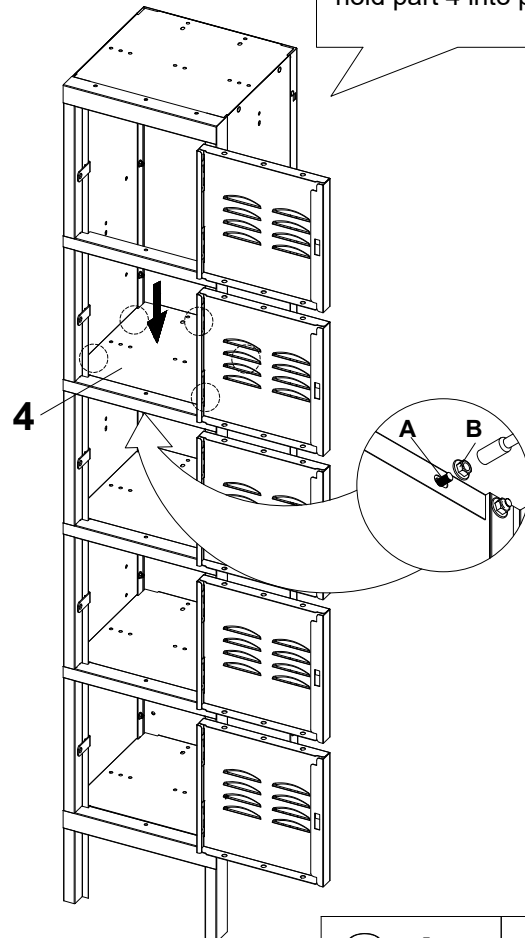


 **A x 5**  **B x 5**

10

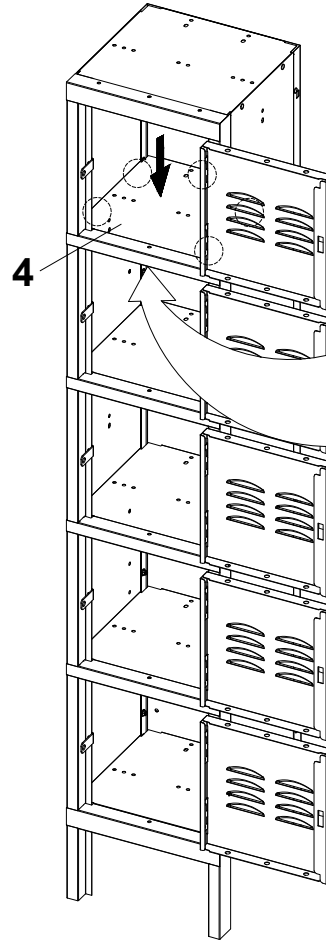
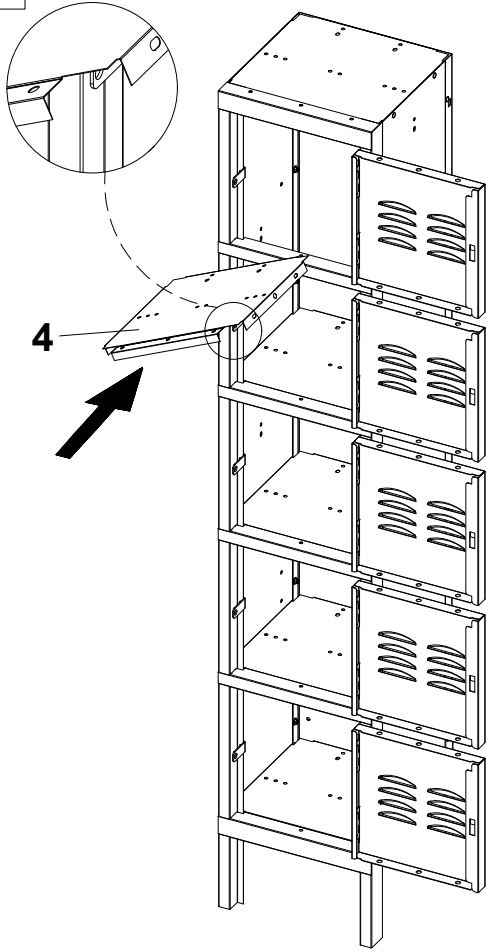


put five bolts and nuts to hold part 4 into place.

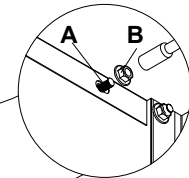


 **A x 5**  **B x 5**

11

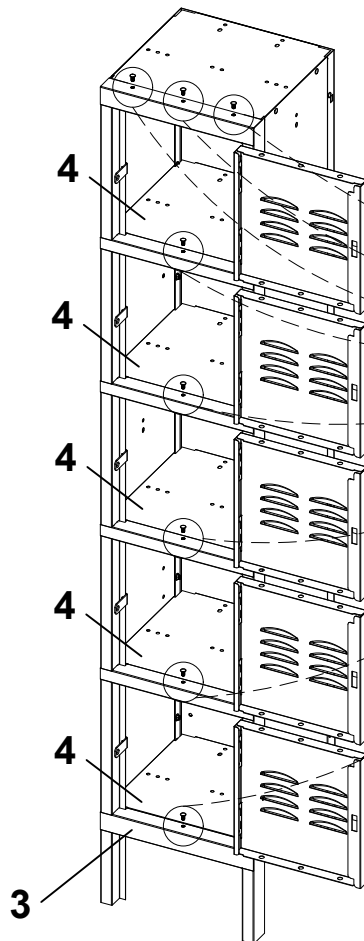


put five bolts and nuts to hold part 4 into place.

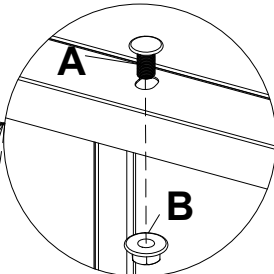




 **A×5**  **B×5**

12



put eight screws to hold part 4 and 3 into place.



 **A×8**  **B×8**

13

