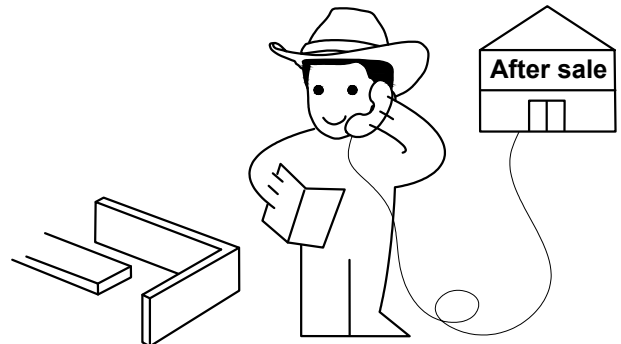
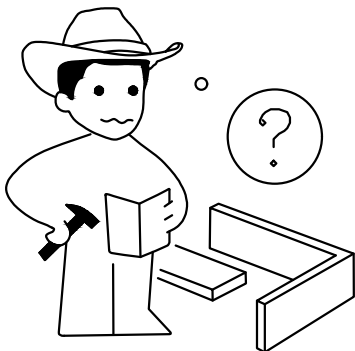
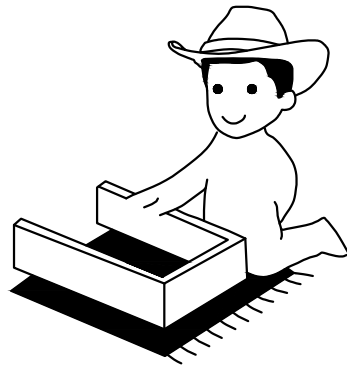
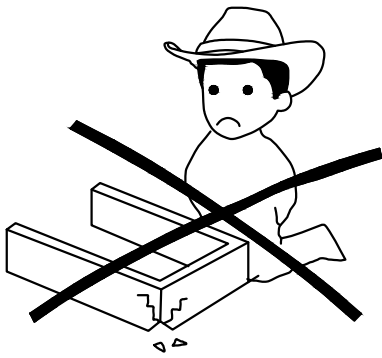
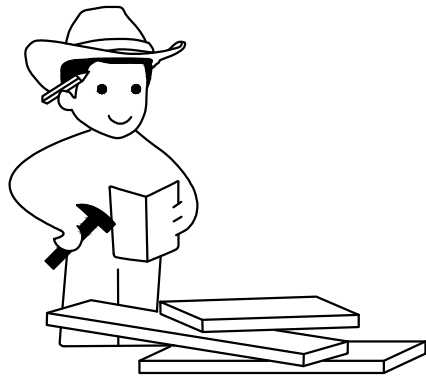
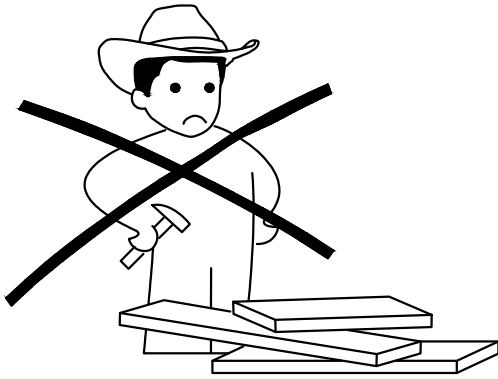
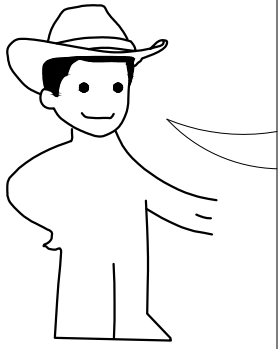
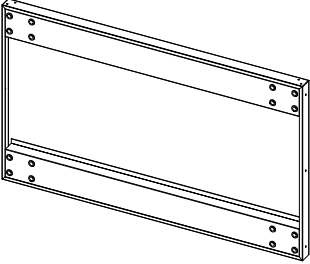
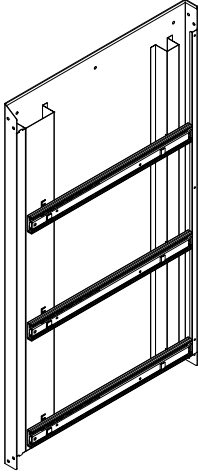
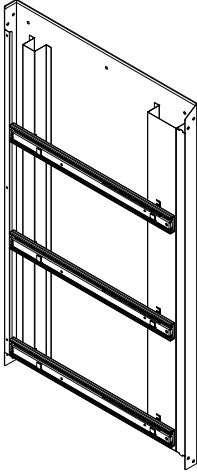
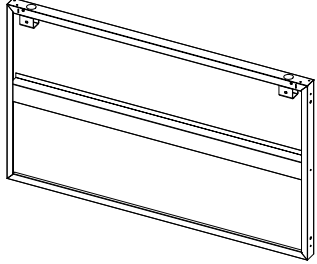
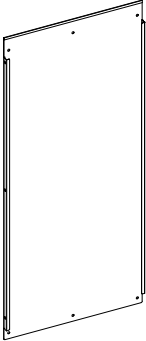
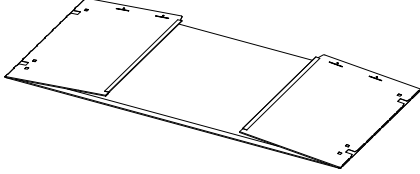
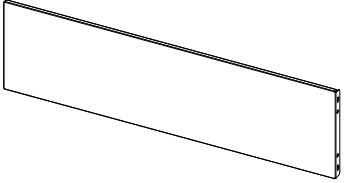
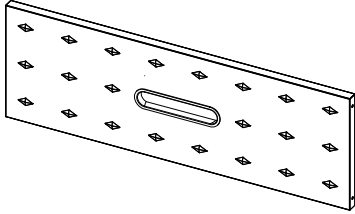
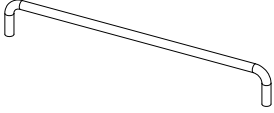





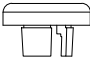
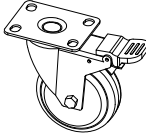


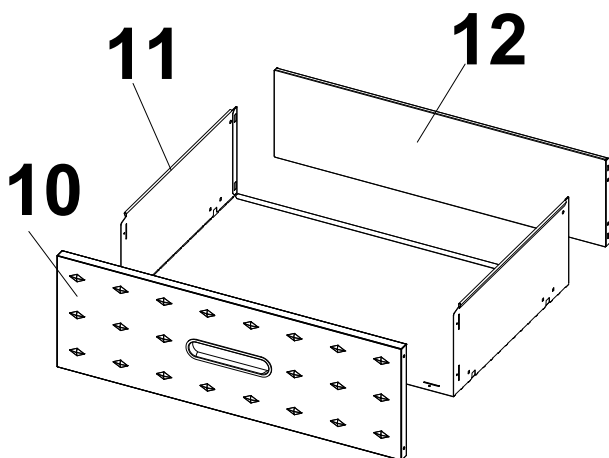
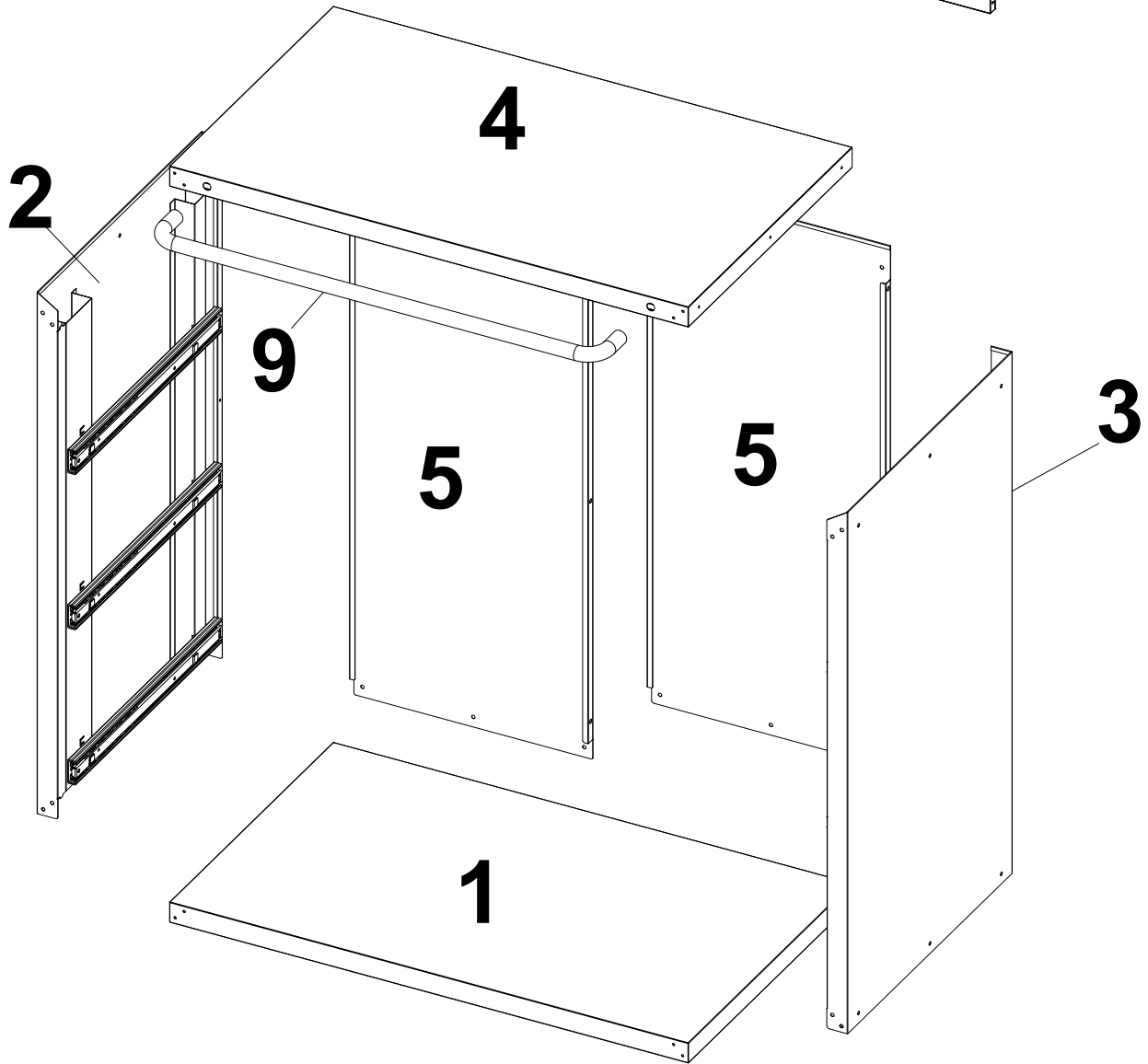
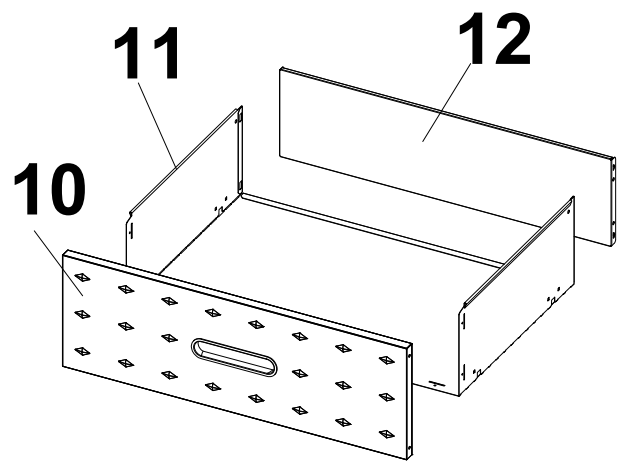
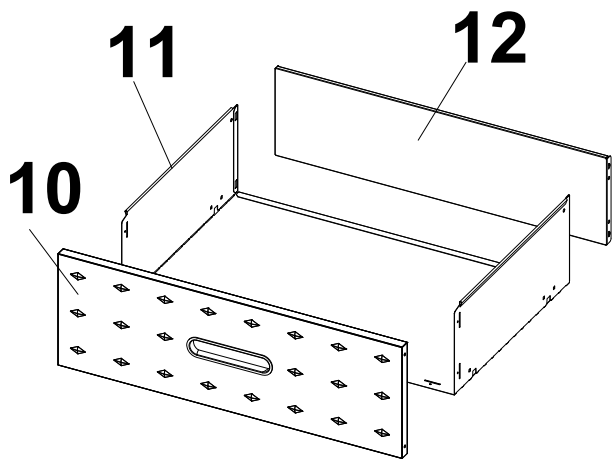




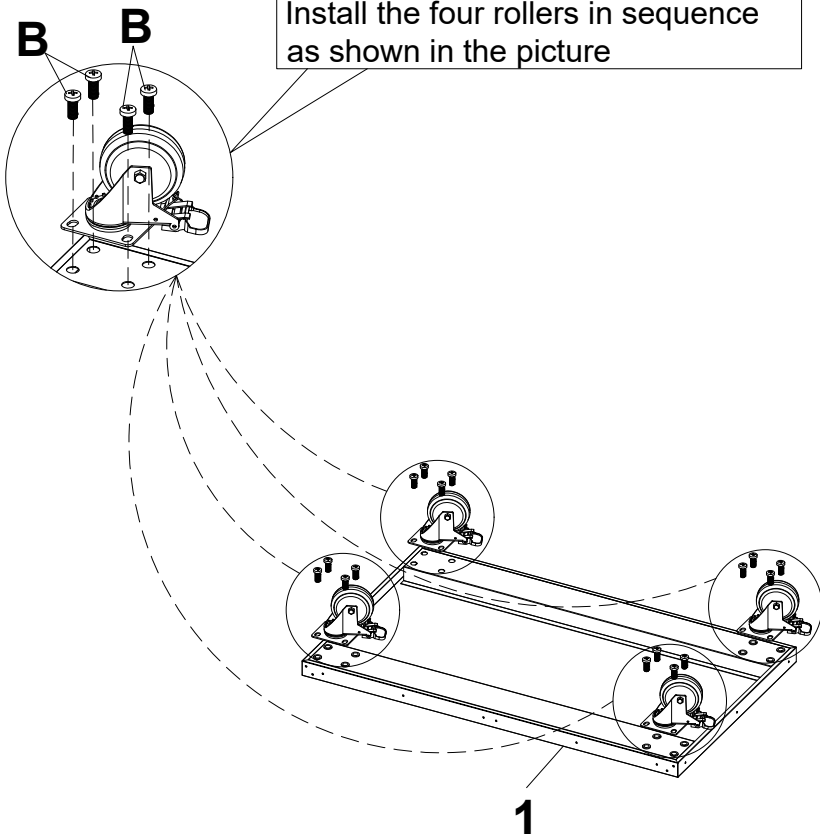
Installation video



1×1pc		2×1pc		3×1pc		4×1pc	
							
5×2pcs		11×3pcs		12×3pcs			
							
		10×3pcs		9×1pc			
							
A×67pcs	B×16pcs	C×3pcs	D×2pcs	O×2	4pcs		
		 				 	
M4× 8mm 0.3inch	M8× 20mm 0.79inch	M5× 12mm 0.47inch	M4× 12mm 0.47inch				



1

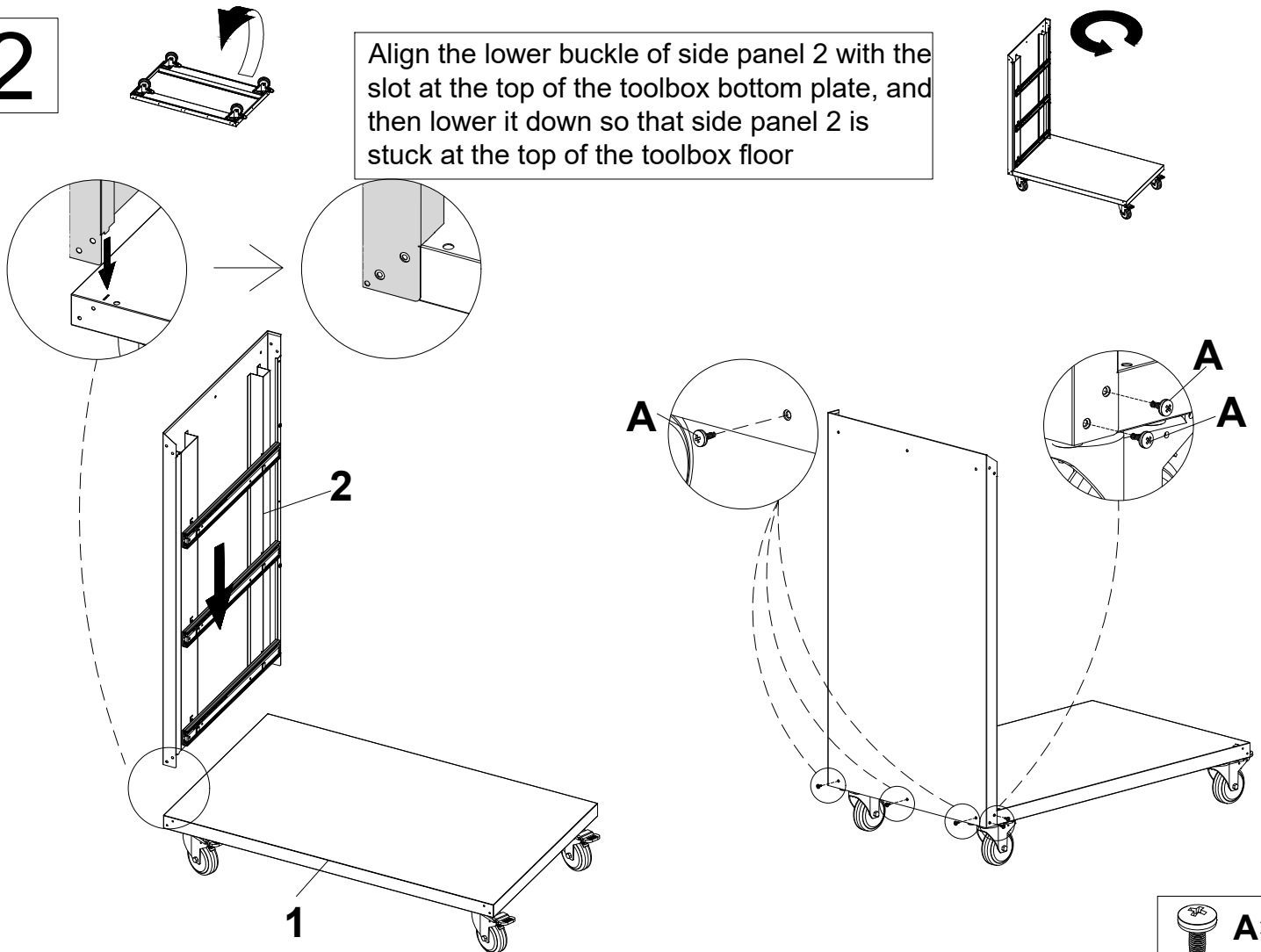


After completing the installation of the four rollers, please step on the rear locking part to prevent the cabinet from sliding during subsequent installation



 B×16

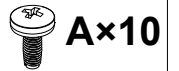
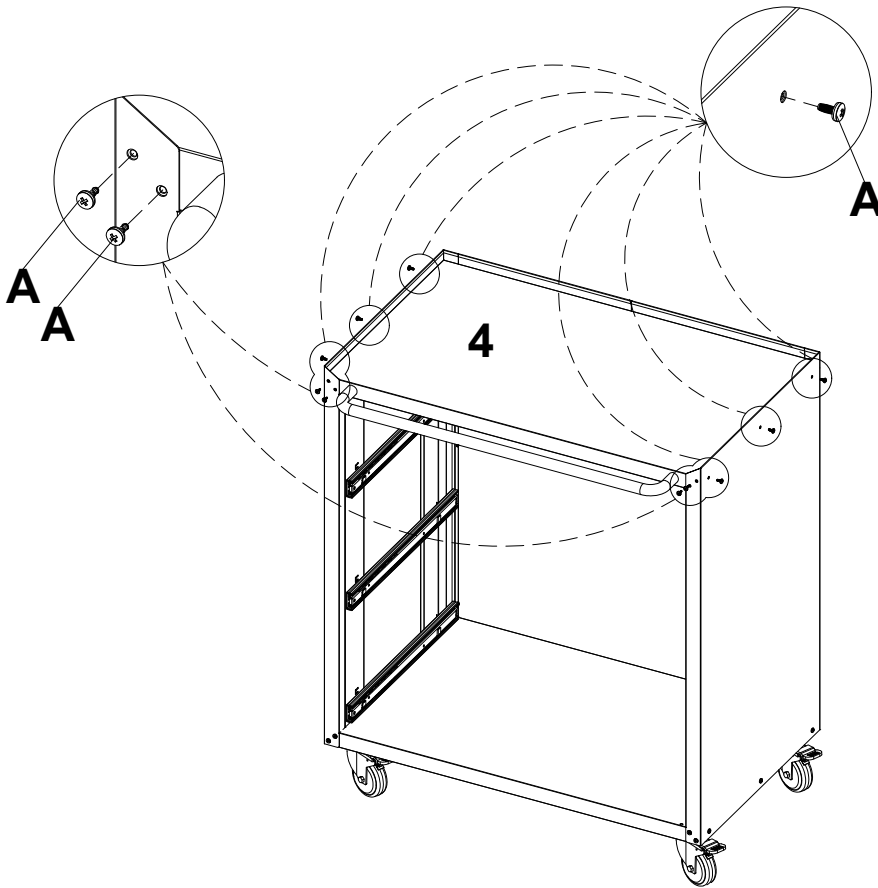
2



 A×5

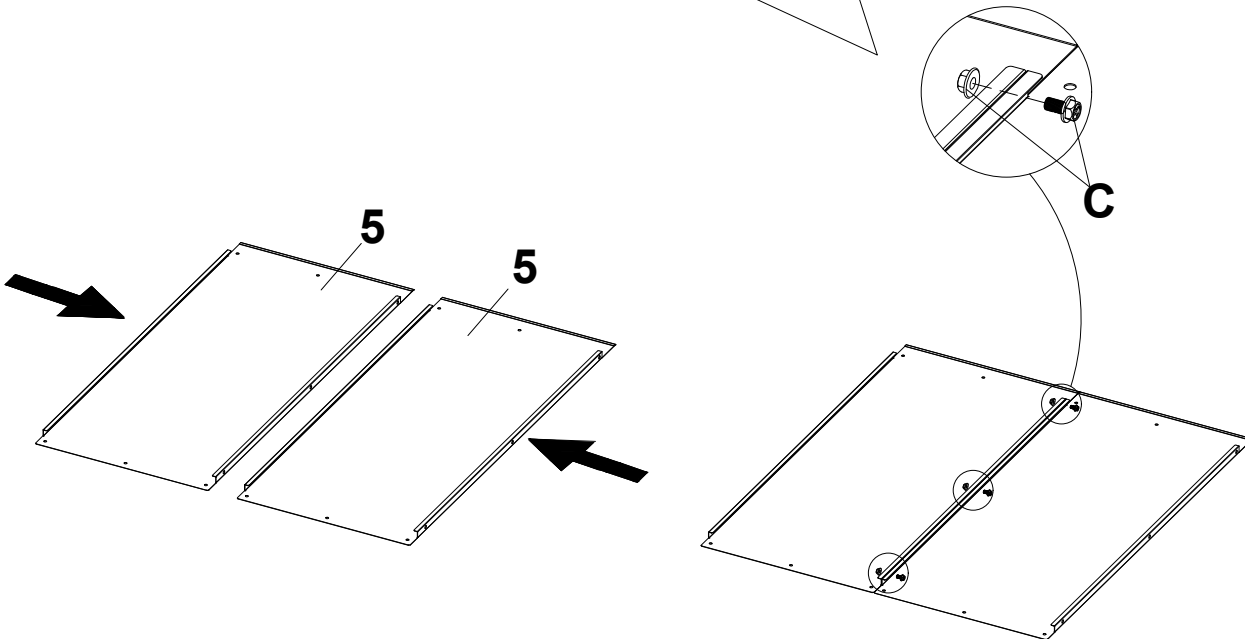
5

Fix component 4 with screws A according to the diagram



6

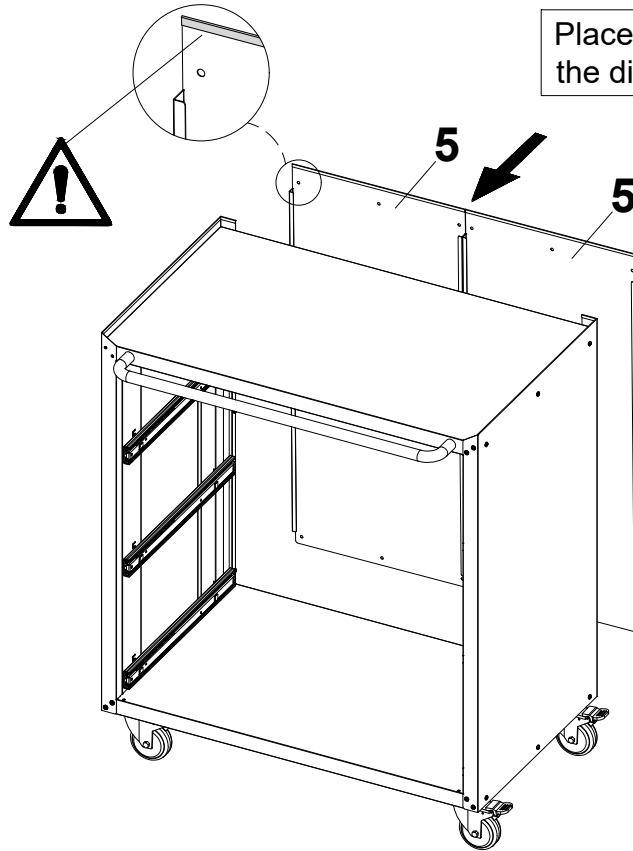
put three bolts and nuts to hold them in place



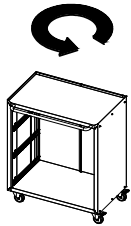
7

Pay attention to the installation direction of the back

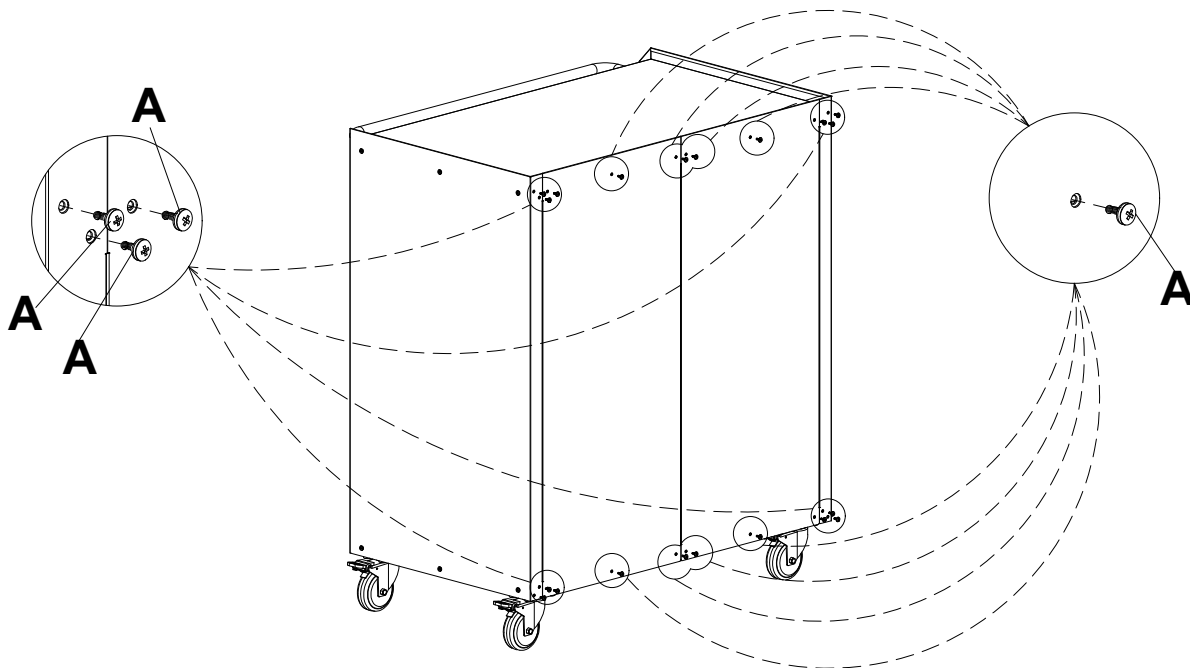
Place component 5 in place according to the diagram



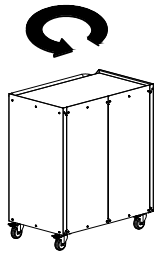
8



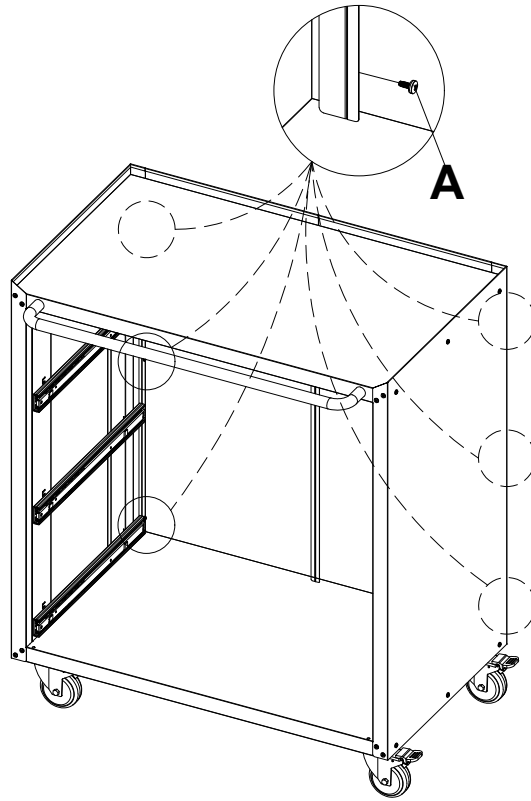
As shown in the picture, there are four positions, each position needs to install three screws, there are eight positions, each position needs to install one screw



9

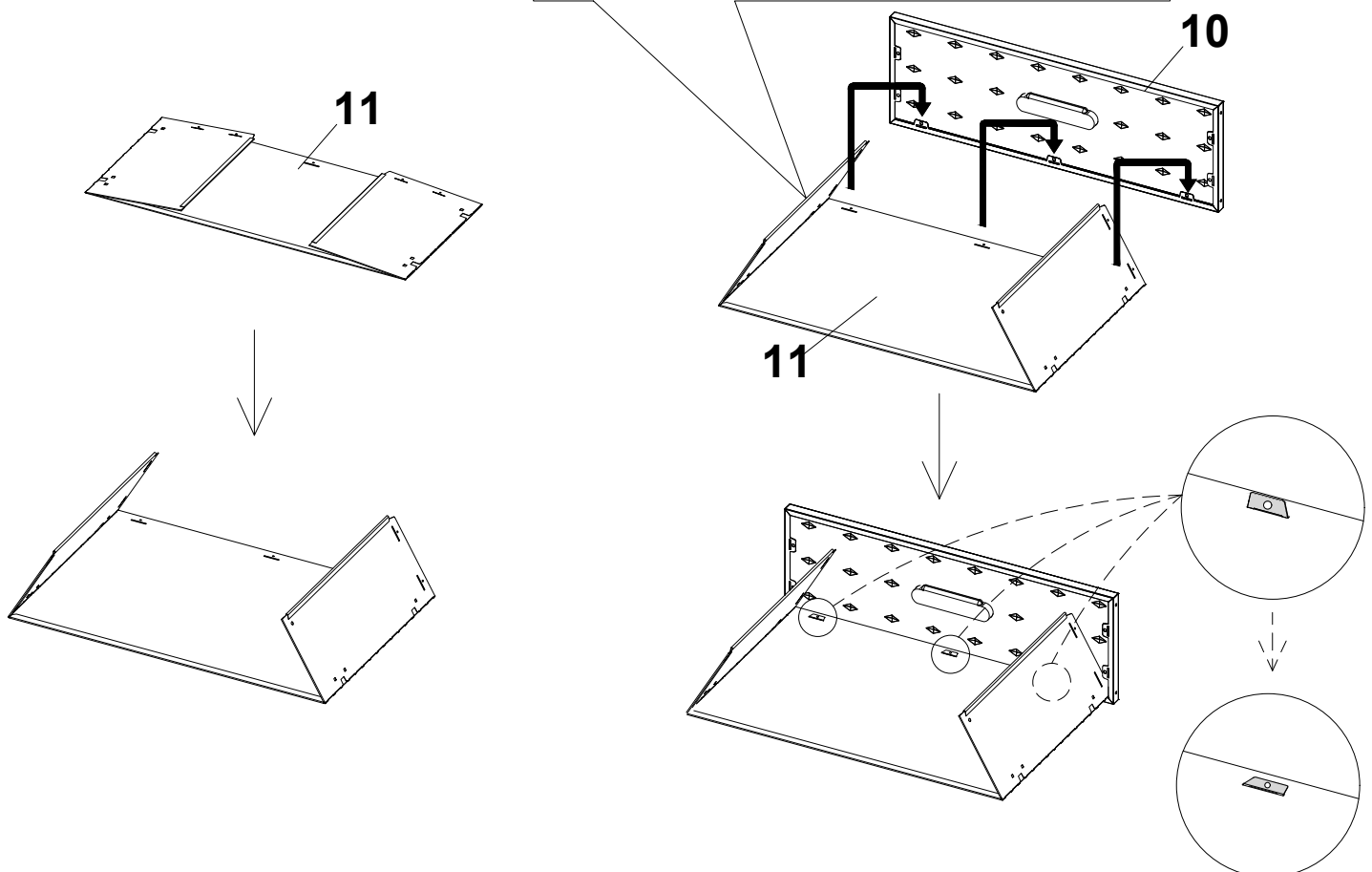


Fix with screws A according to the diagram

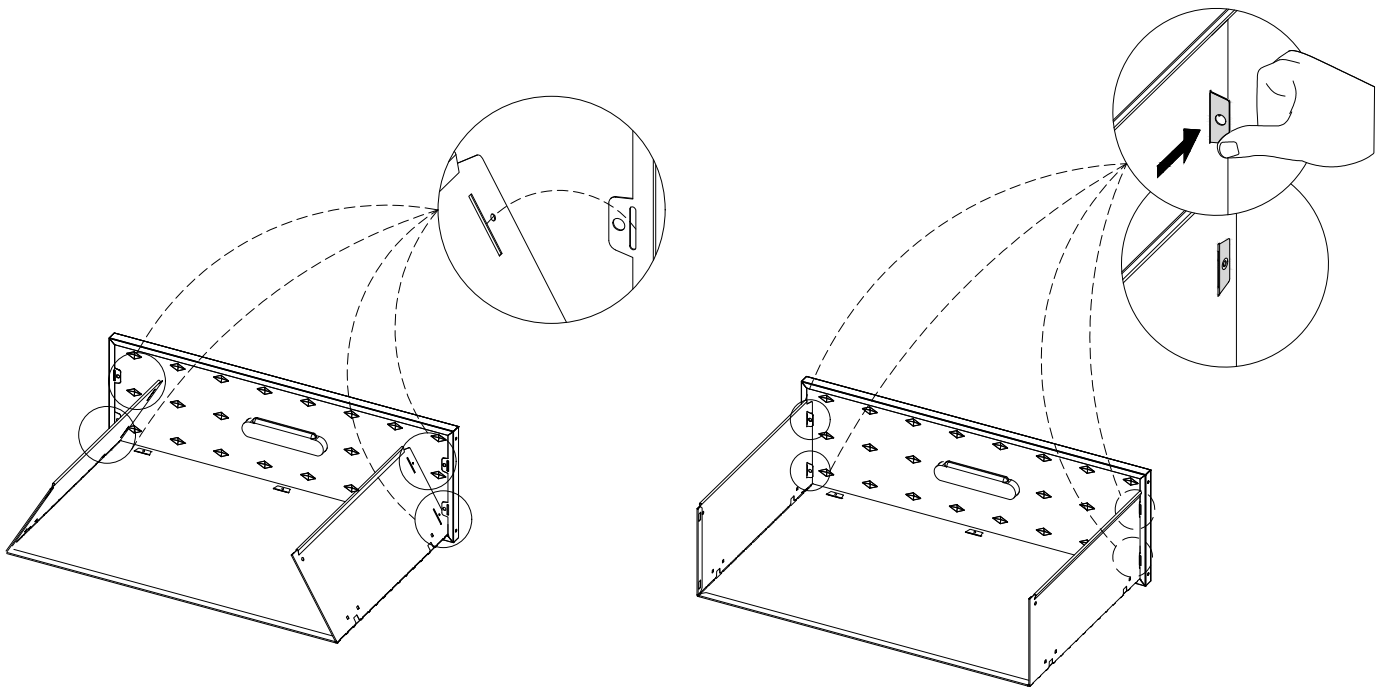


10

Insert the tabs at the bottom of the drawer faces 10 into the drawer body 11 and bend the tabs

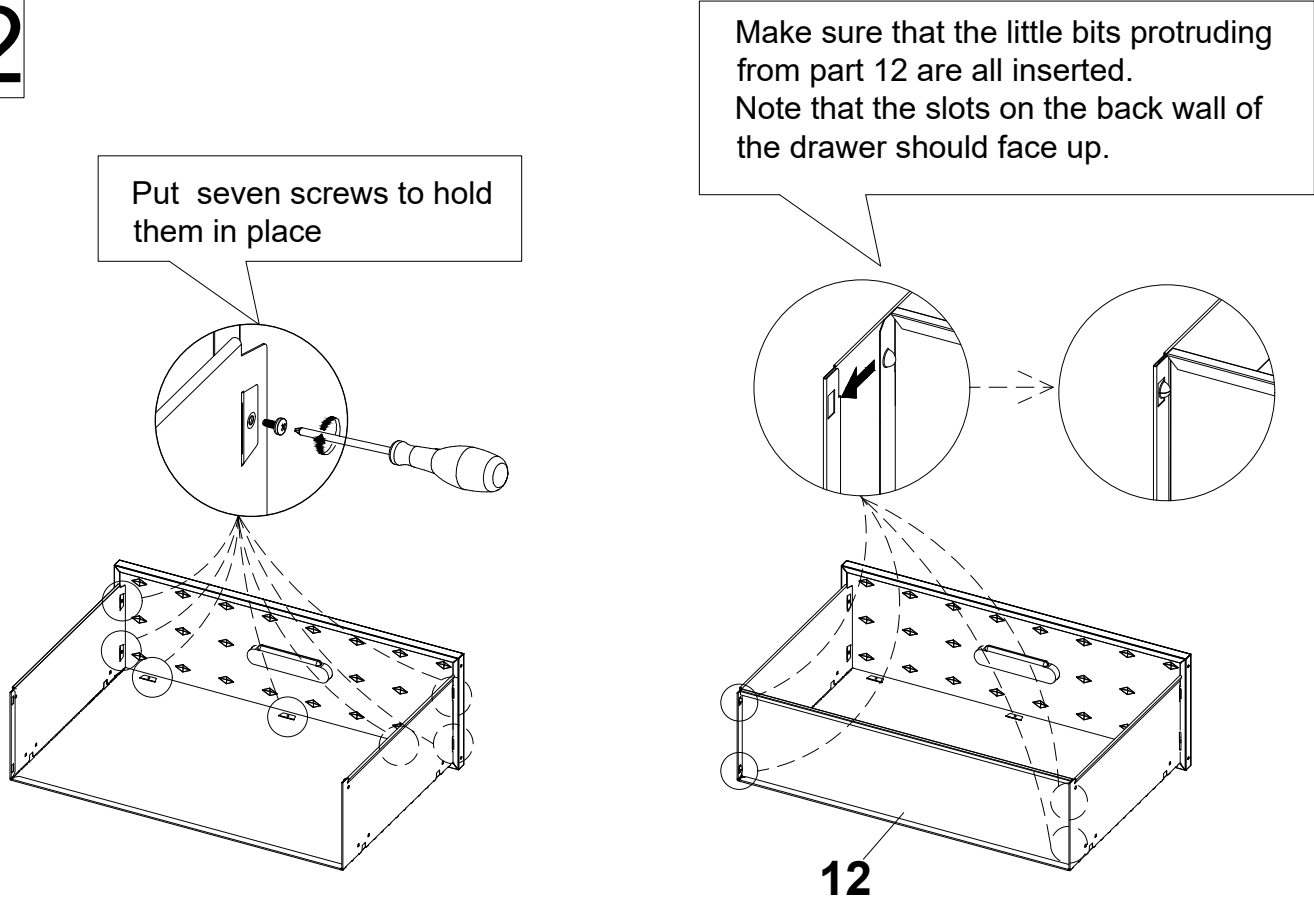


11



Bend the tabs on the drawer faces.

12



Put seven screws to hold them in place

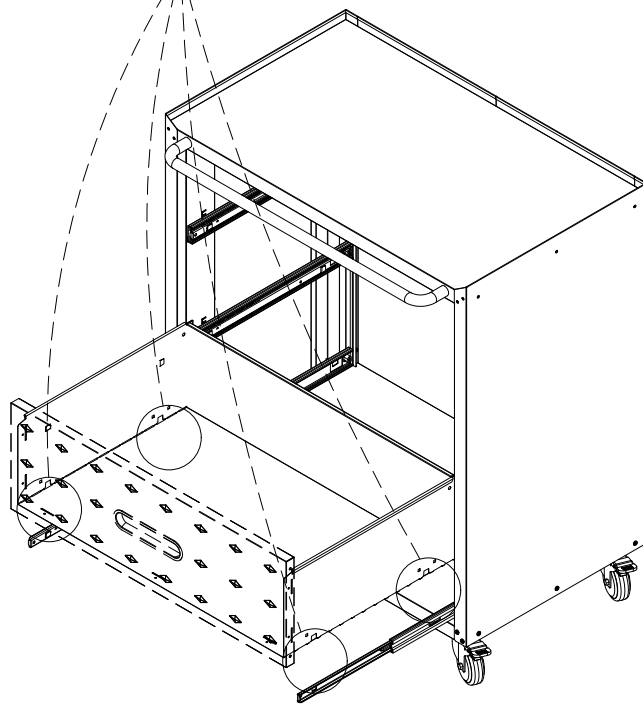
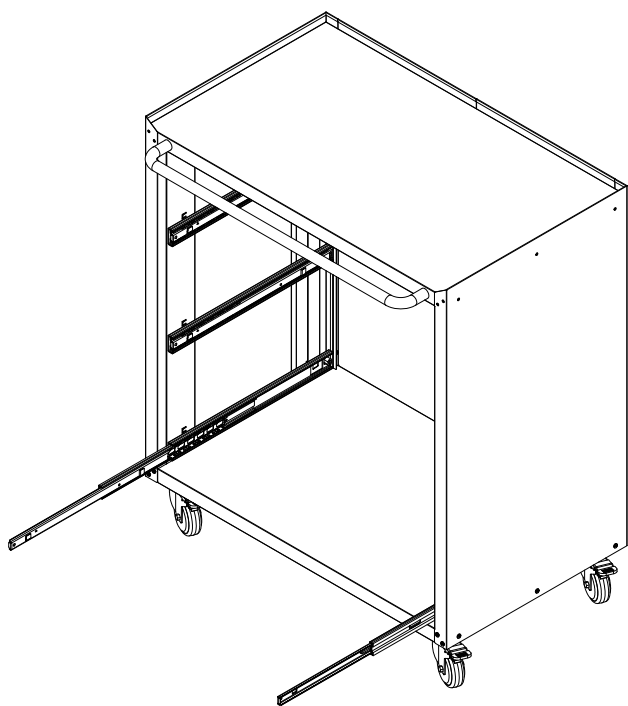
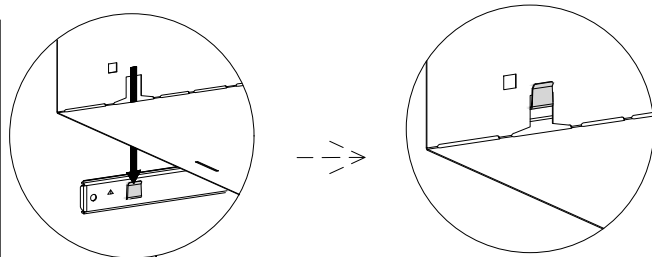
Make sure that the little bits protruding from part 12 are all inserted. Note that the slots on the back wall of the drawer should face up.

12



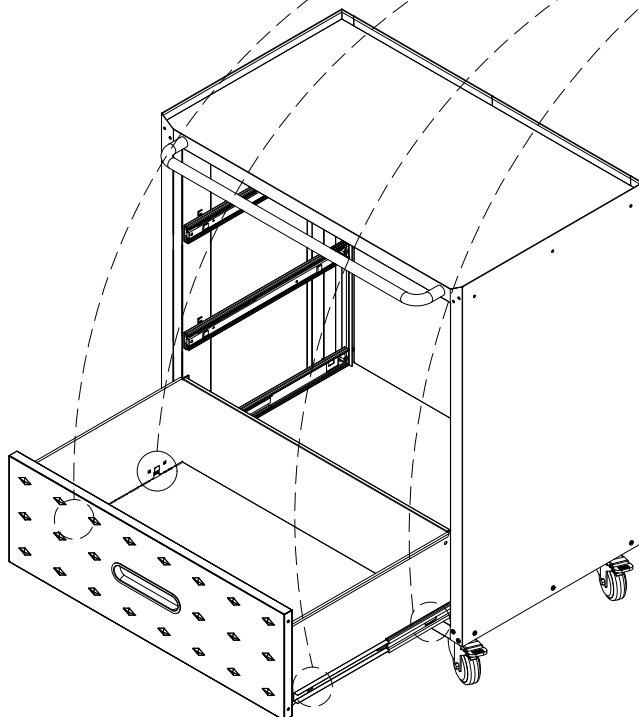
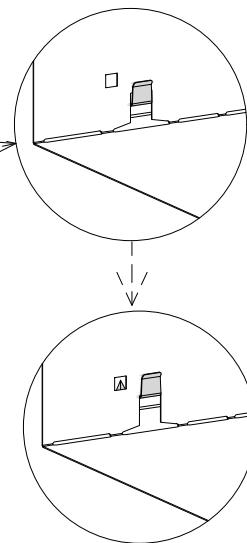
13

1. pull out the small rails in the slide rails on the side walls completely.
with two people lifting each side of the drawer, align the four divots on the bottom with the two rail clips on the rails on each side and insert them into the rail clips.

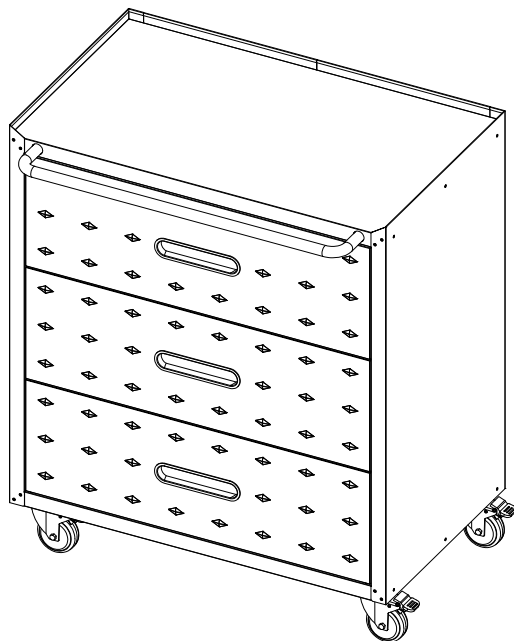


14

2. After placing the drawer on the rail, press the drawer base down hard enough, paying attention to check the position of the four clips inside until you hear a click four times, which means the drawer is in place

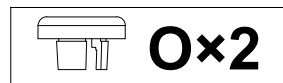
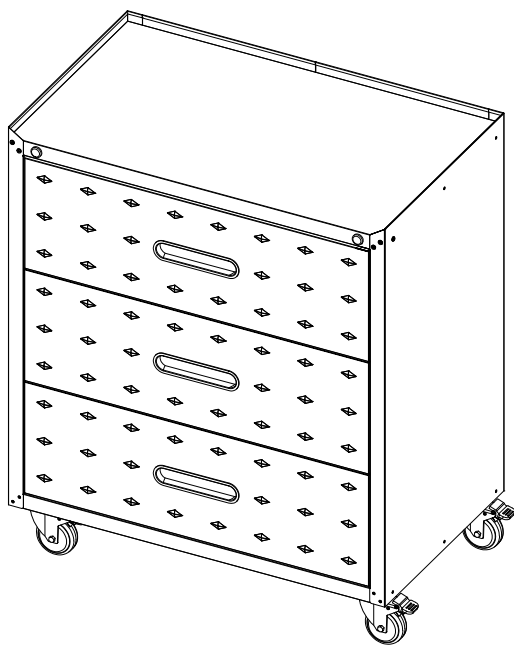


15



16

If you don't want to install the handle, you can remove it and use O to block its hole



17

If you need to link another cabinet, you need to follow the following steps

First remove the 12 screws on the contact surface, then put the two cabinets together and fix them with 6 screws

