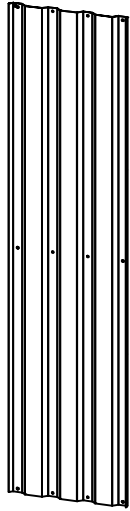
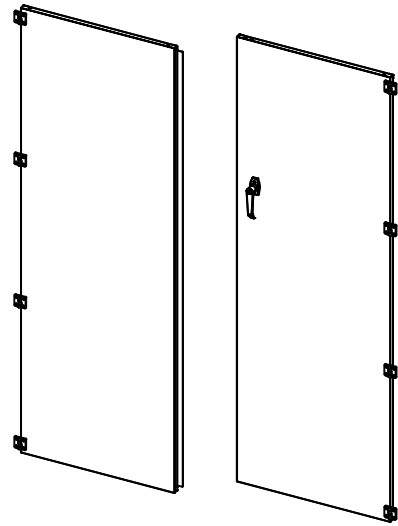
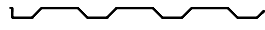


H1850mm\*W1255mm\*D885mm





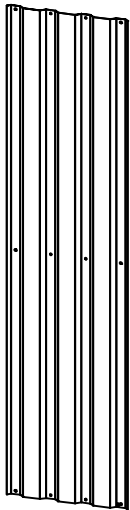
**A** 6PCS



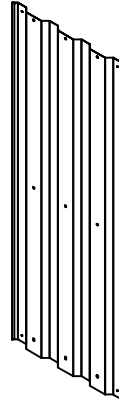
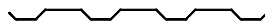
Left Door

Right Door

**D** 2PCS



**B** 1PC



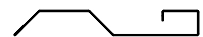
**E** 4PCS

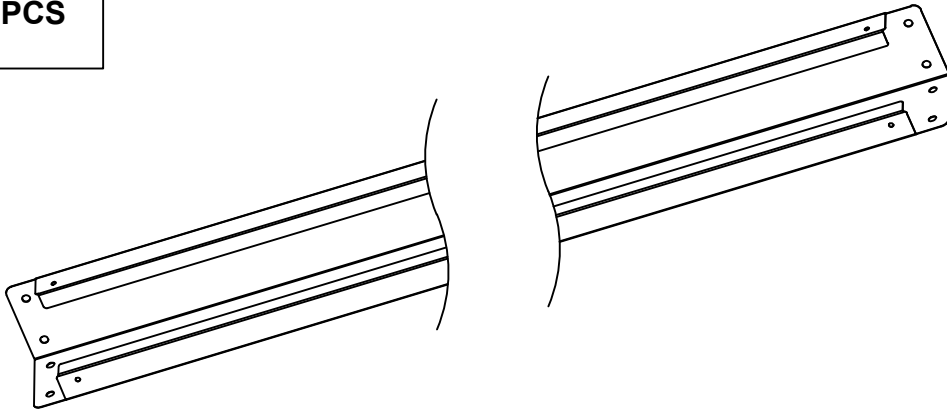
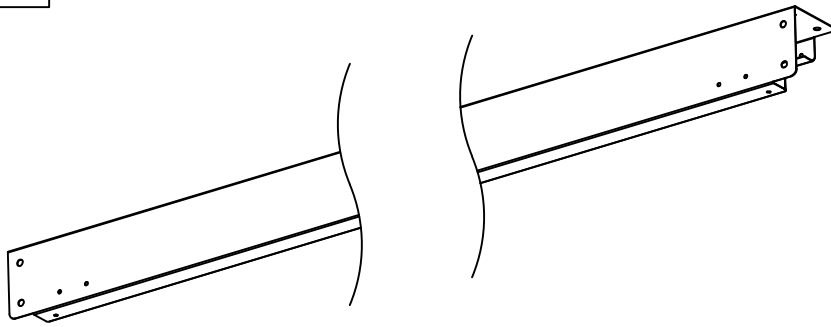
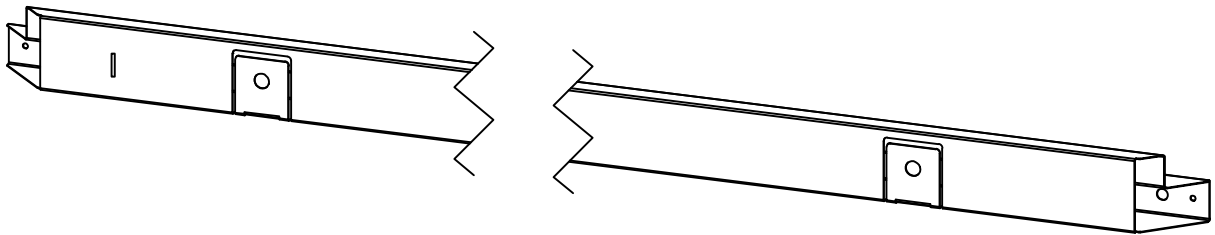
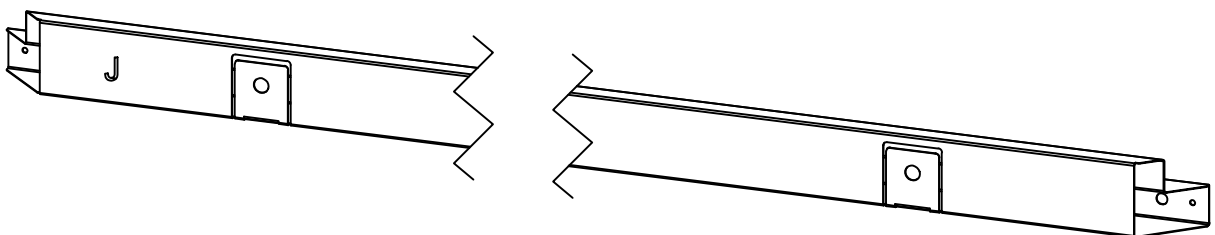


**C** 0PC



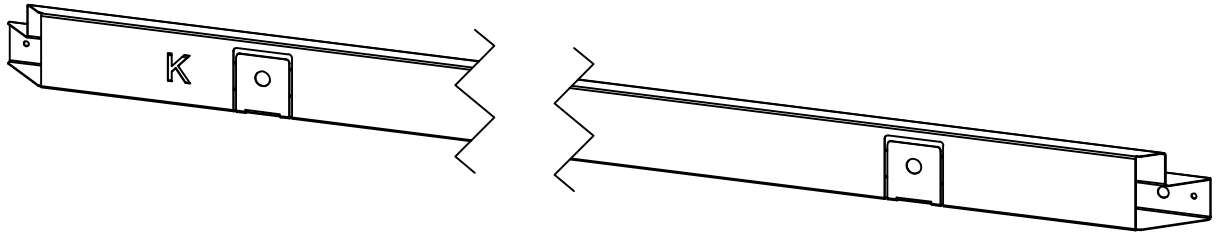
**F** 4PCS



**G****2PCS****H****2PCS****I****1PC****J****1PC**

**K**

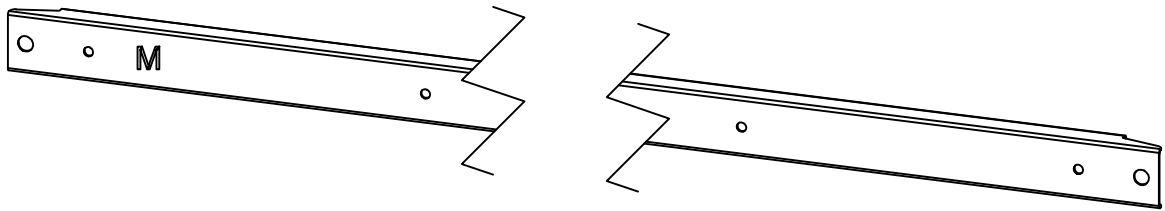
2PCS

**L**

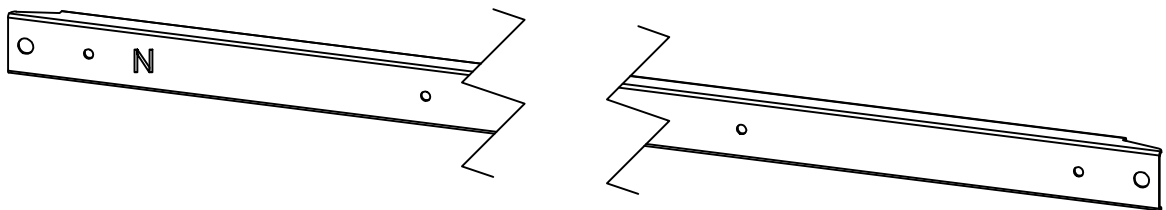
0PC

**M**

2PCS

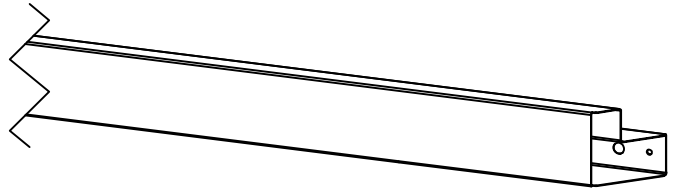
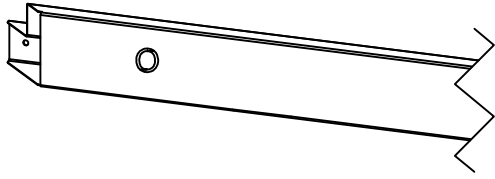
**N**

1PC



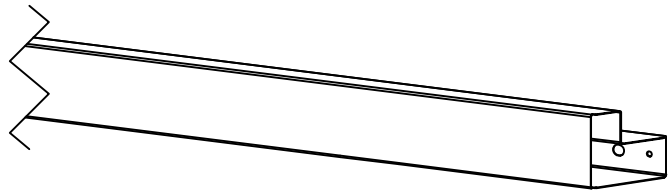
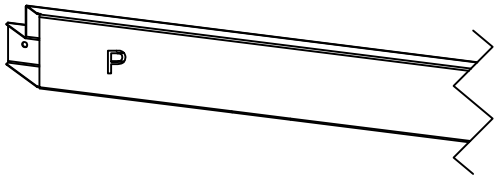
**O**

1PC



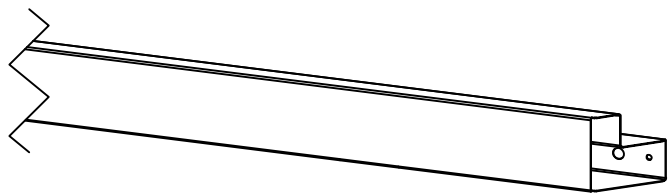
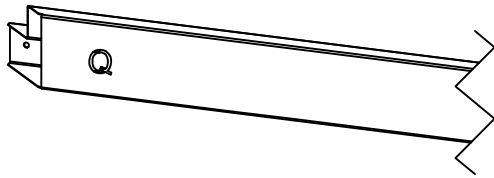
**P**

1PC



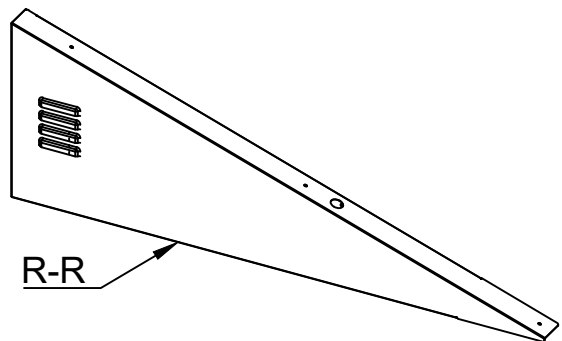
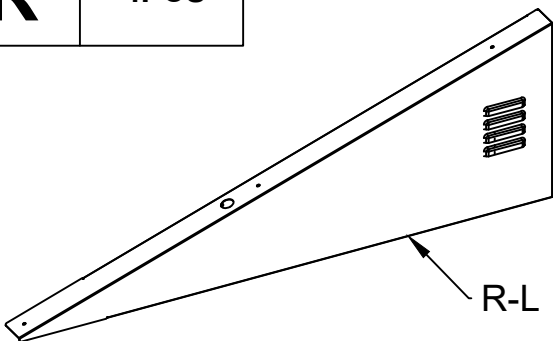
**Q**

2PCS



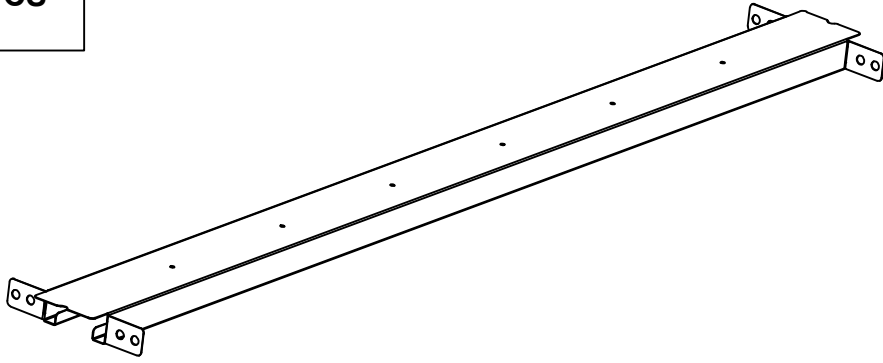
**R**

4PCS

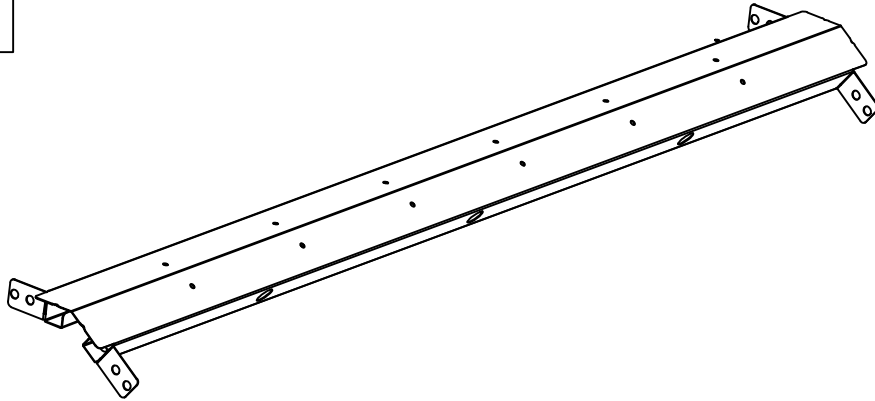


**S**

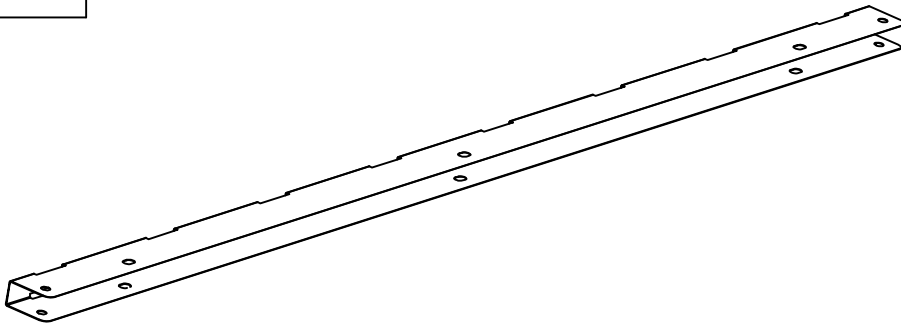
2PCS

**T**

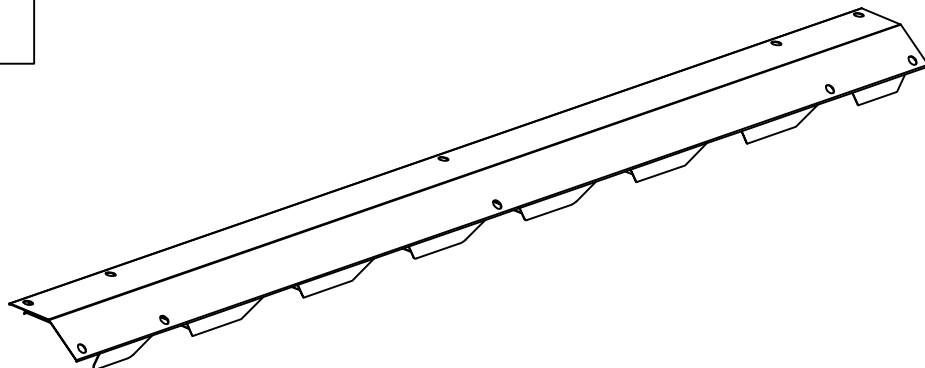
1PC

**U**

2PCS

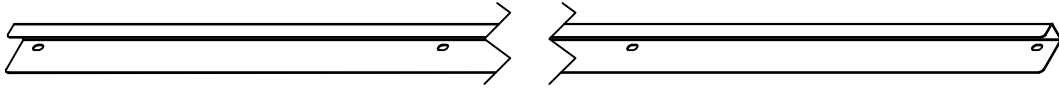
**V**

1PC

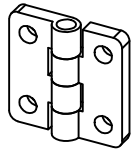


**f**

1PC

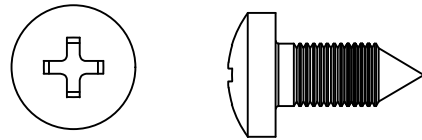
**X**

8PCS

**b**

275PCS

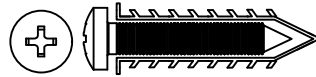
5\*10

**Y**

1PC

**c**

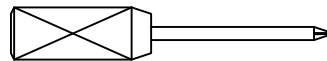
8PCS

**Z**

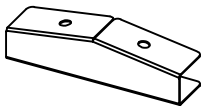
2PCS

**d**

1PC

**a**

2PCS

**e**

68PCS



# Precautions before installation

First, Please find the horizontal ground before installation, otherwise the holes will not be aligned, please pay attention!

Second, For installation, the use of an electric drill is recommended.

Third, B-A, B-B, B-C on parts ..... B in front is the factory style code.

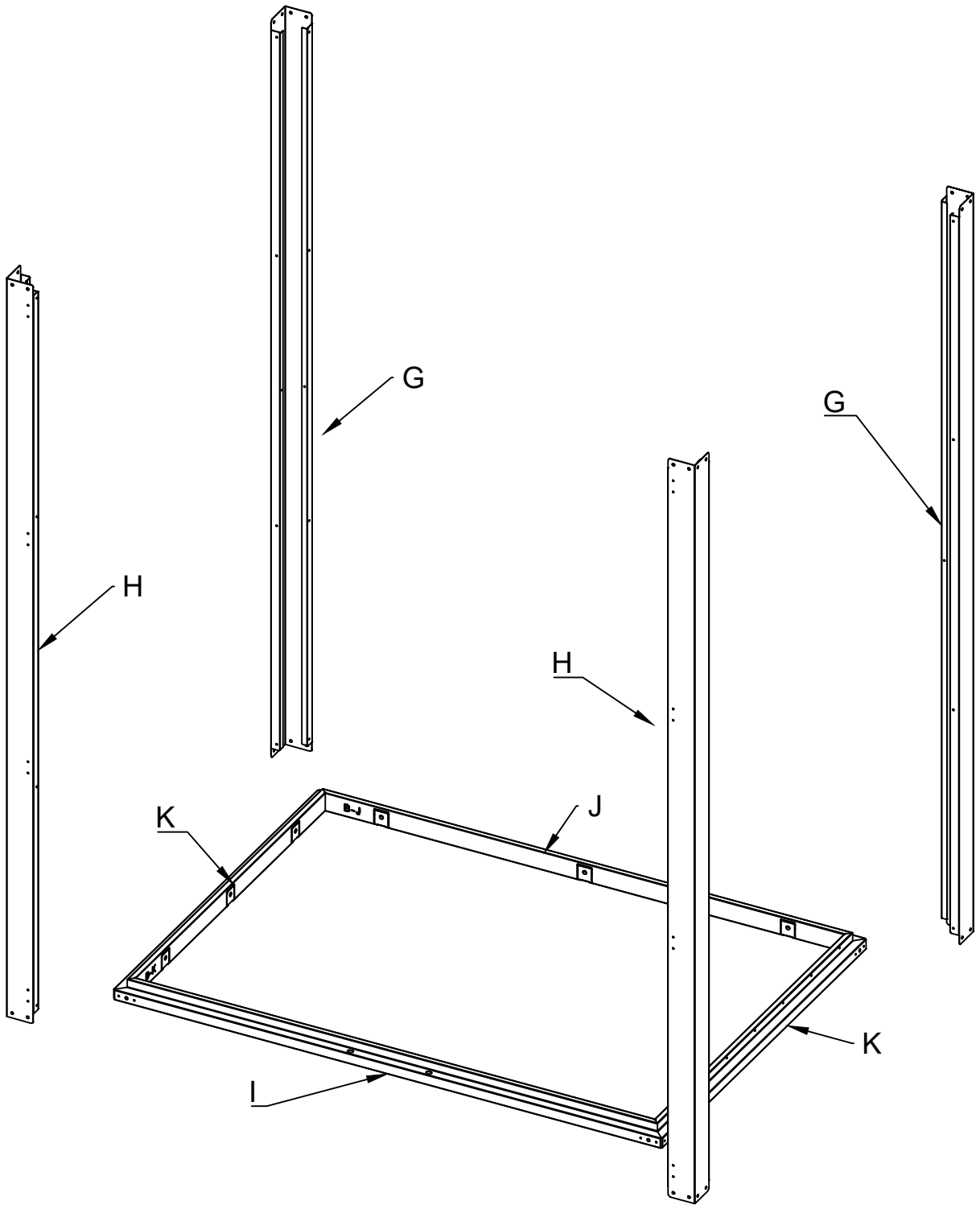


Step 1

**b**

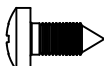


16PCS

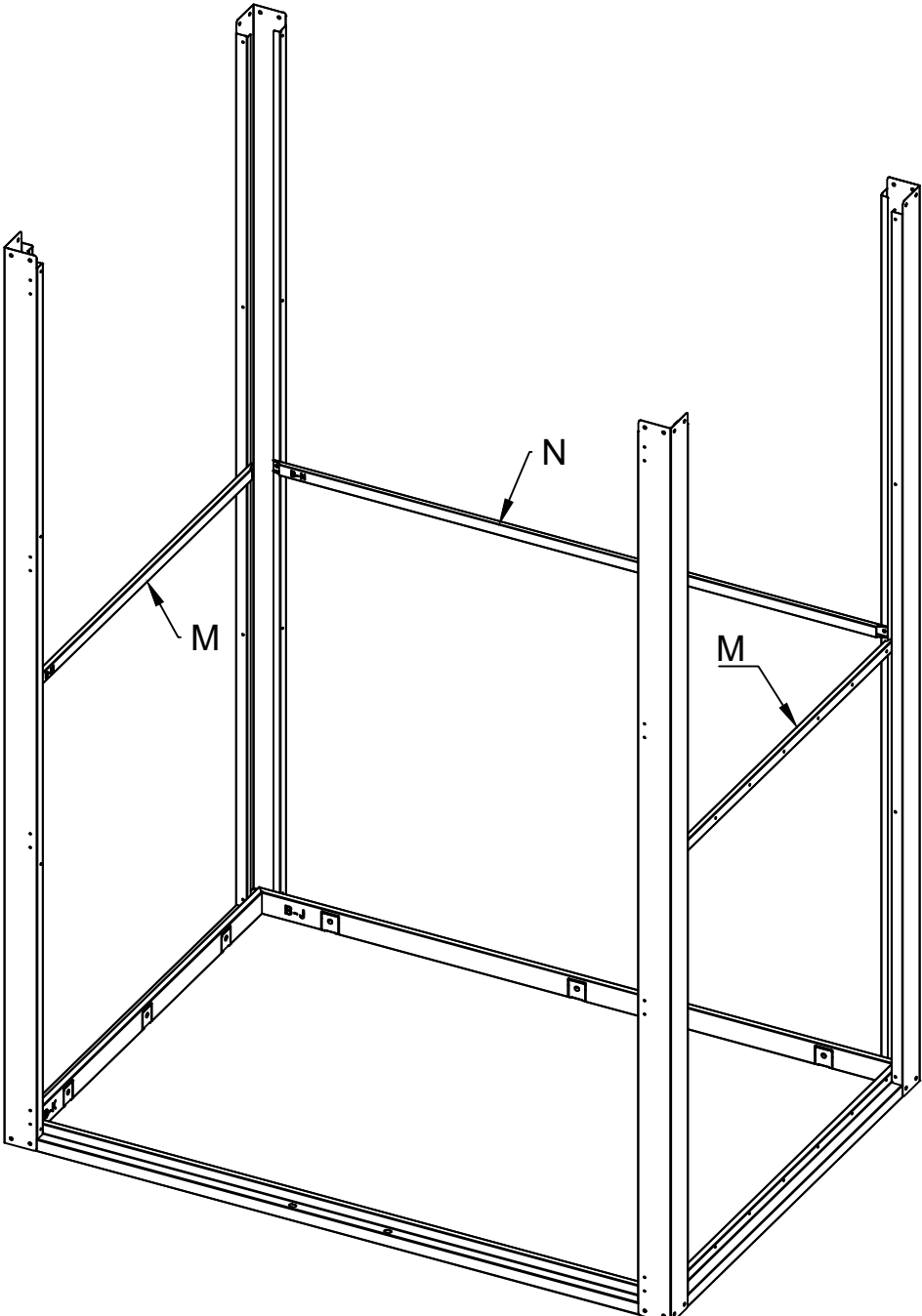


Step 2

**b**



6PCS

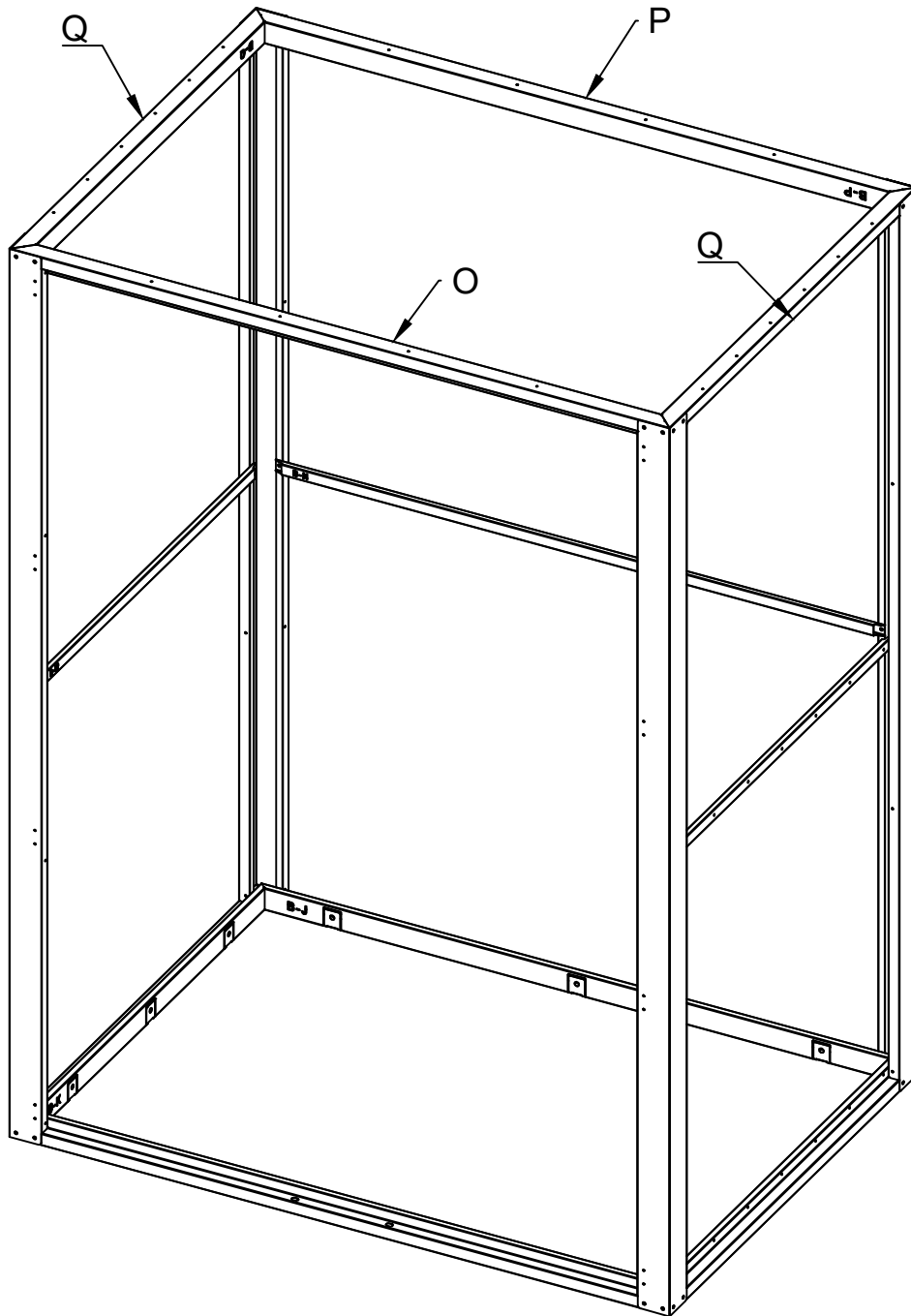


Step 3

**b**

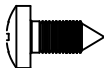


16PCS

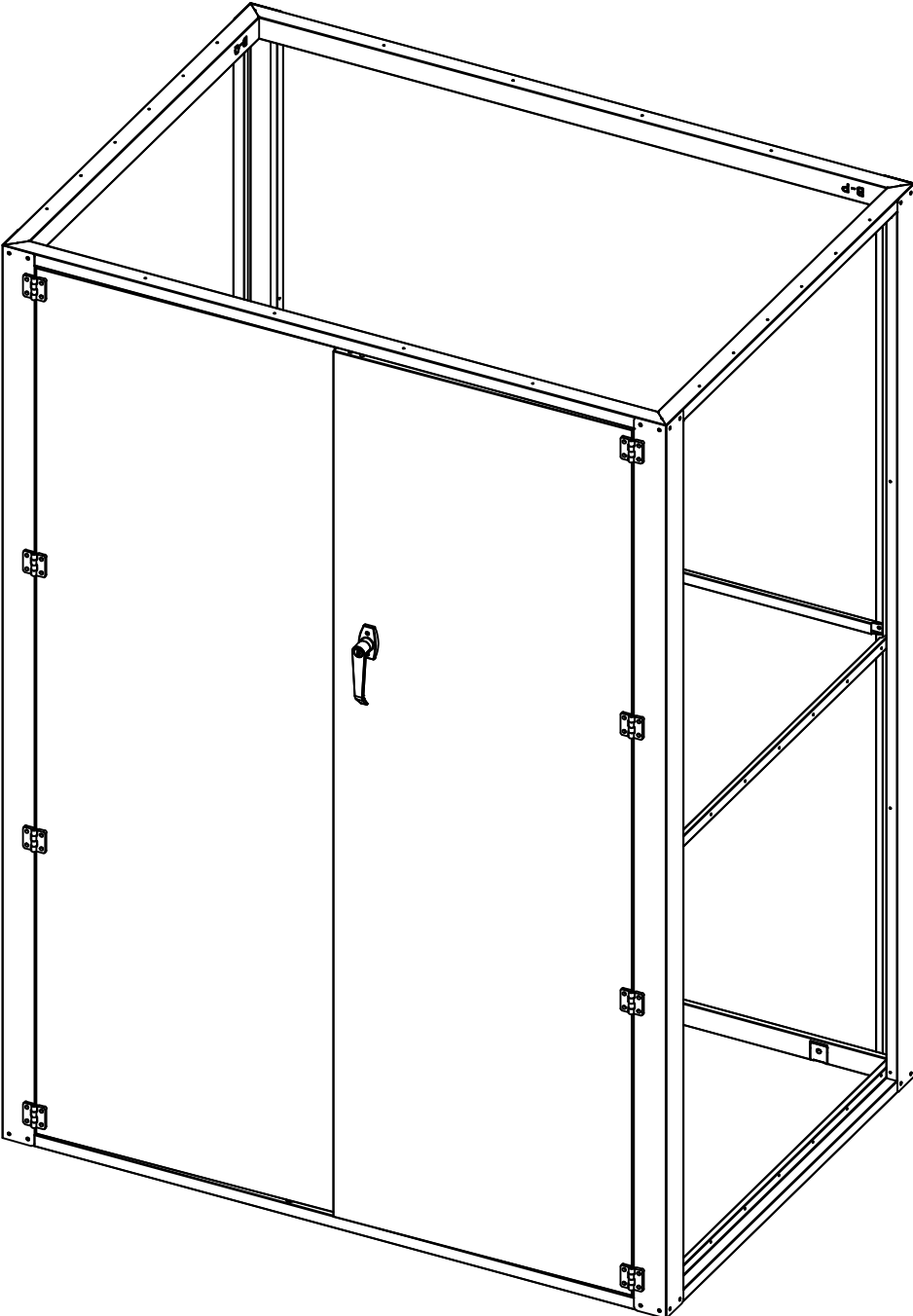


Step 4

b



32PCS

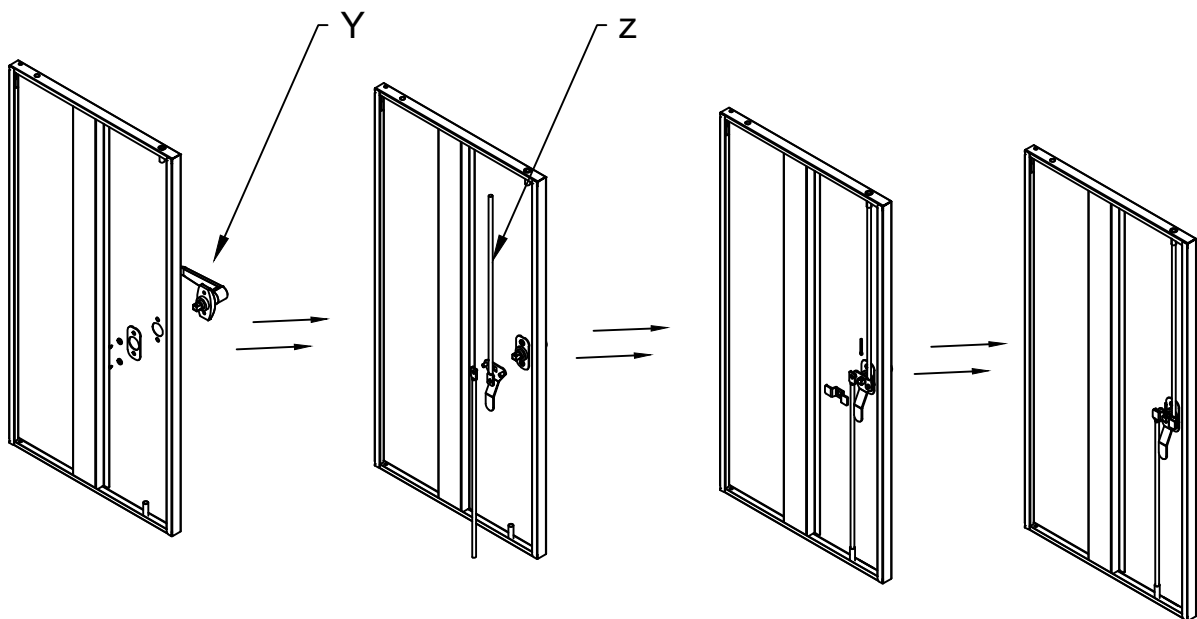
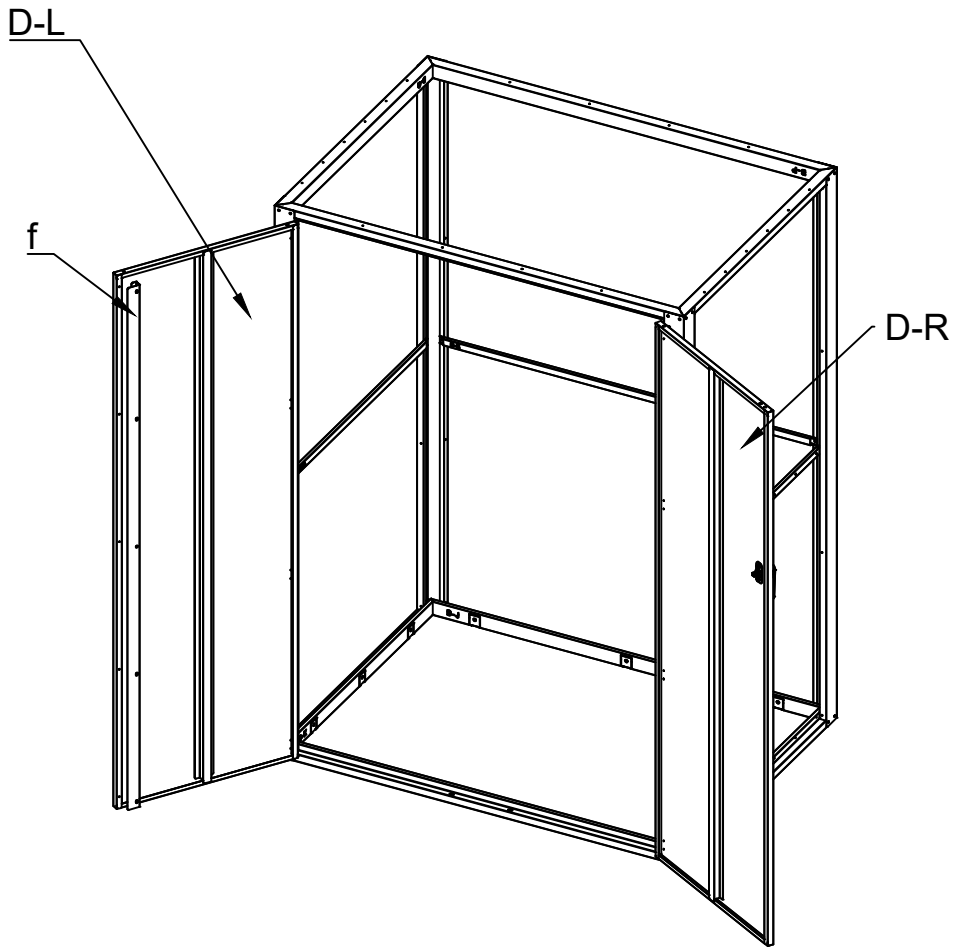


# Step 5

**b**



5PCS

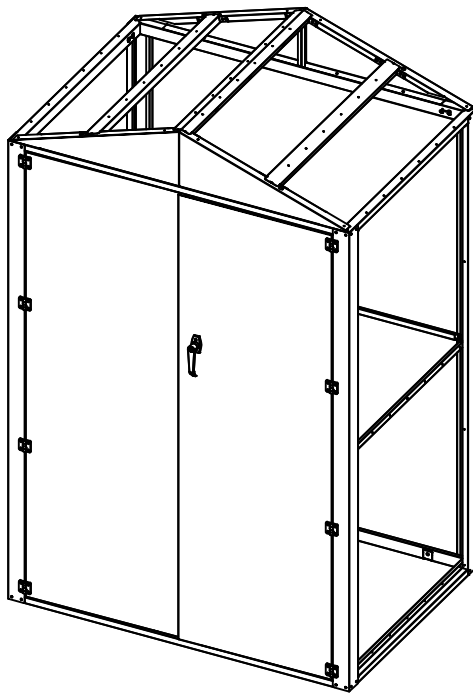
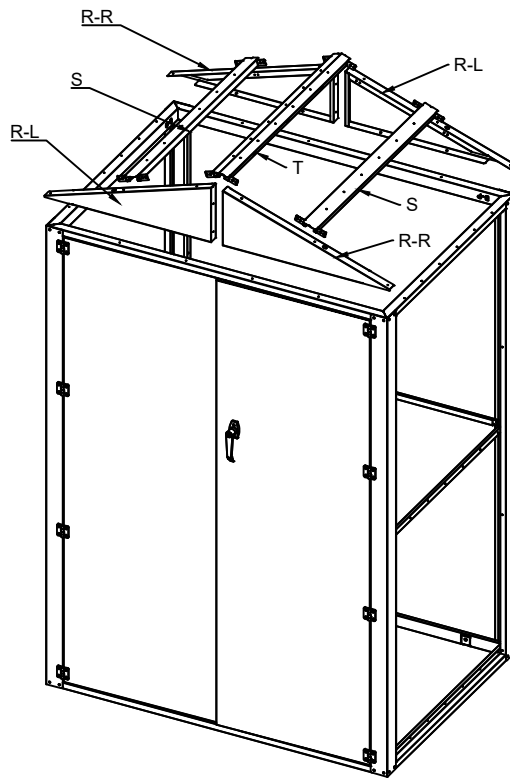


# Step 6

# b

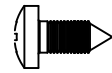


36PCS



# Step 7

**b**

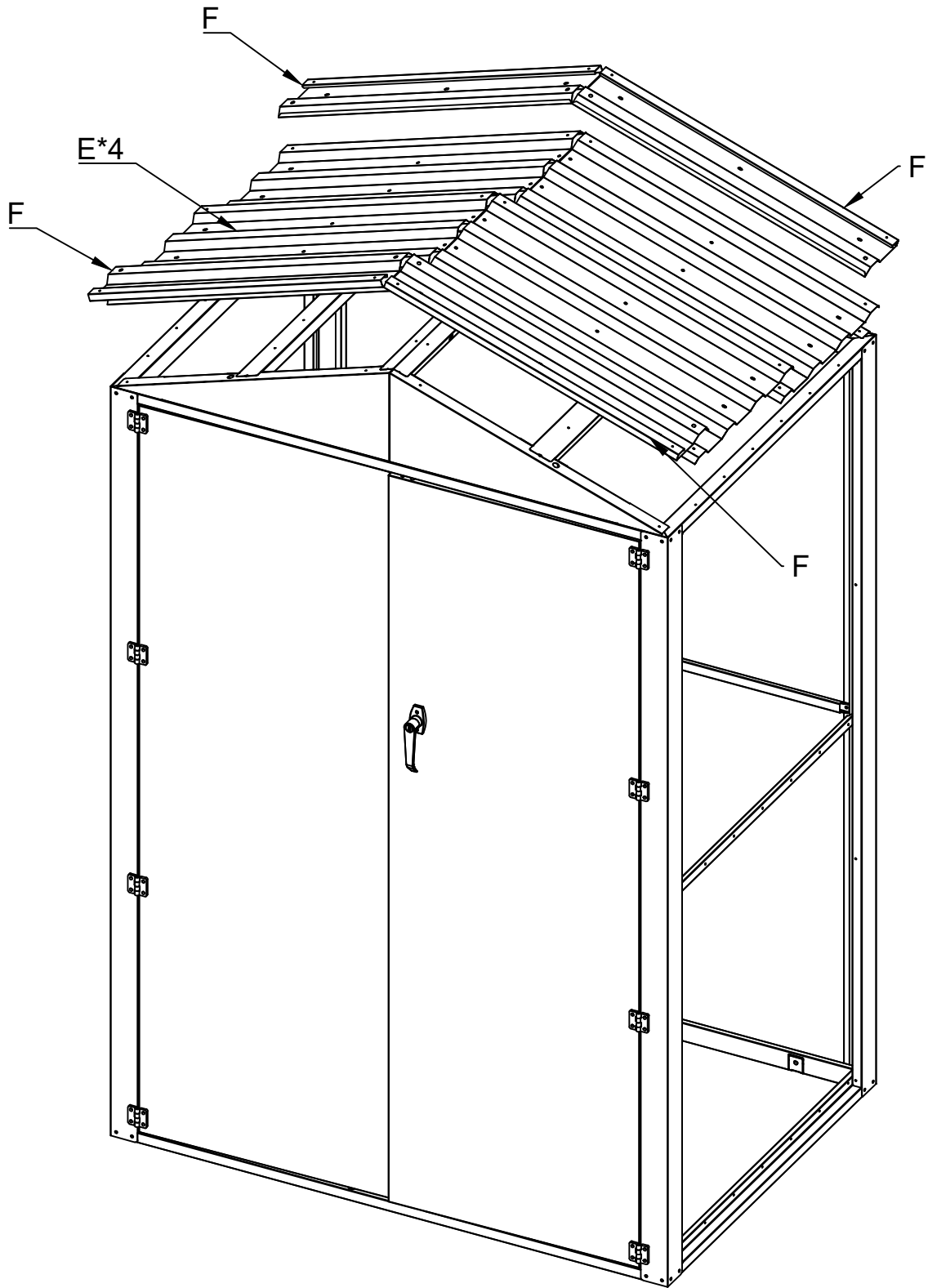


48PCS


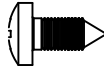

**e**

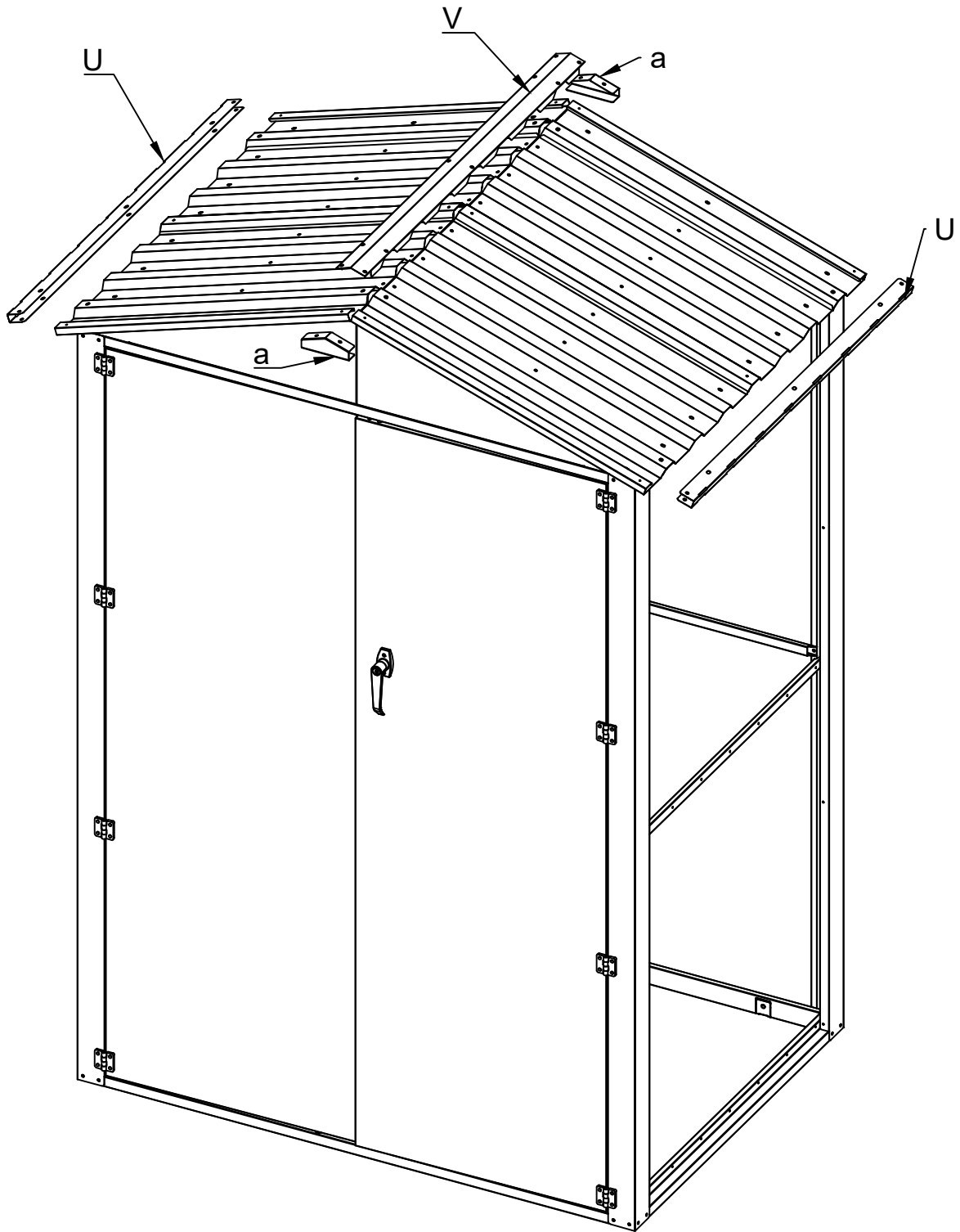


48PCS



# Step 8

<b>b</b>	 	20PCS
<b>e</b>		20PCS





Step 9

b



96PCS

