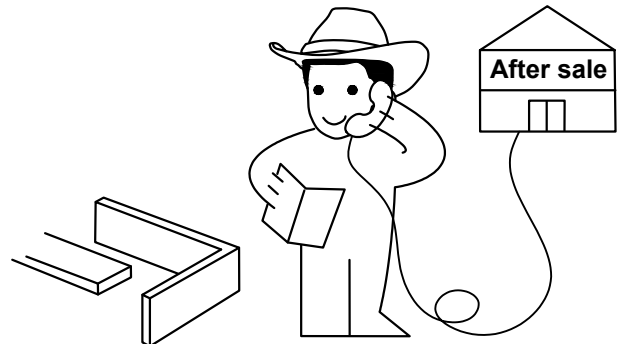
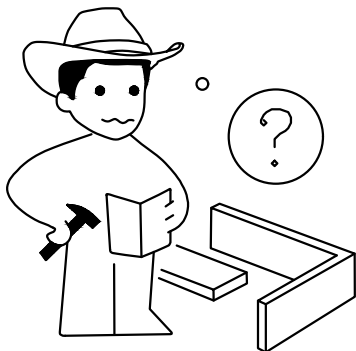
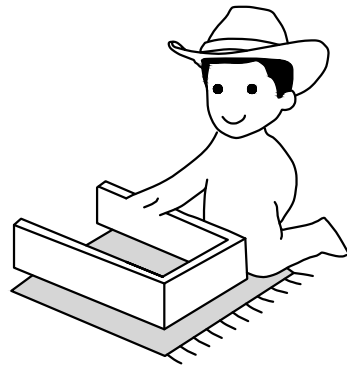
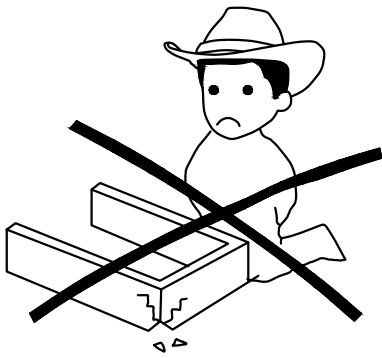
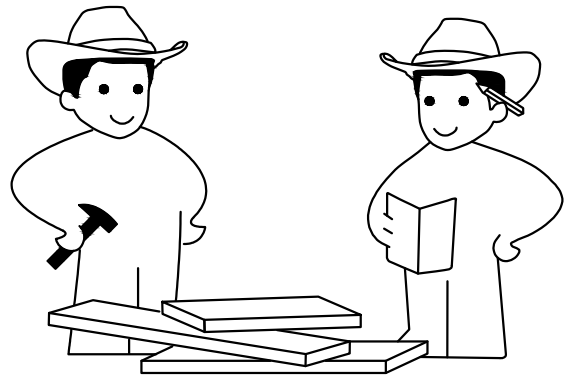
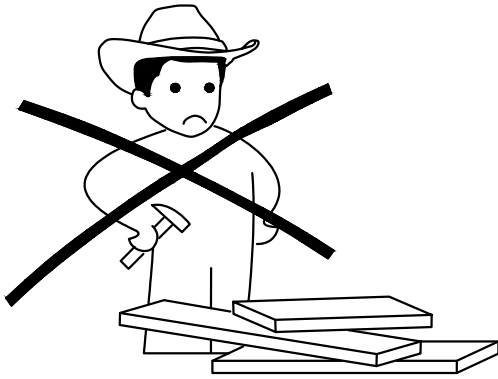
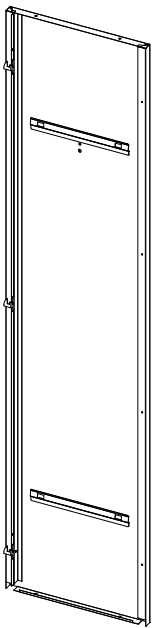
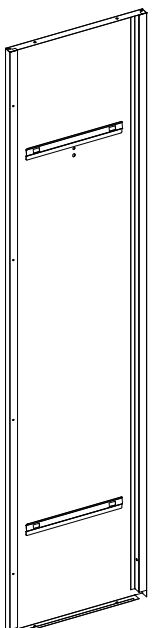
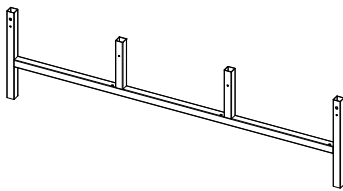
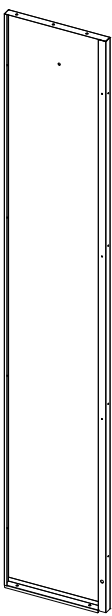

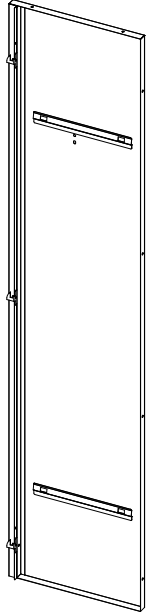
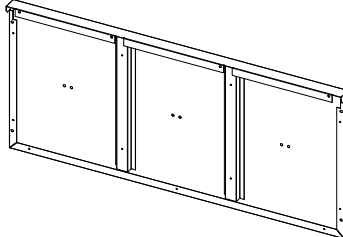
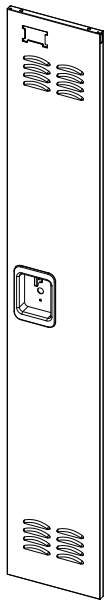
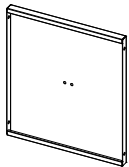

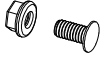
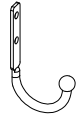
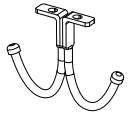




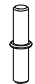

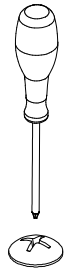

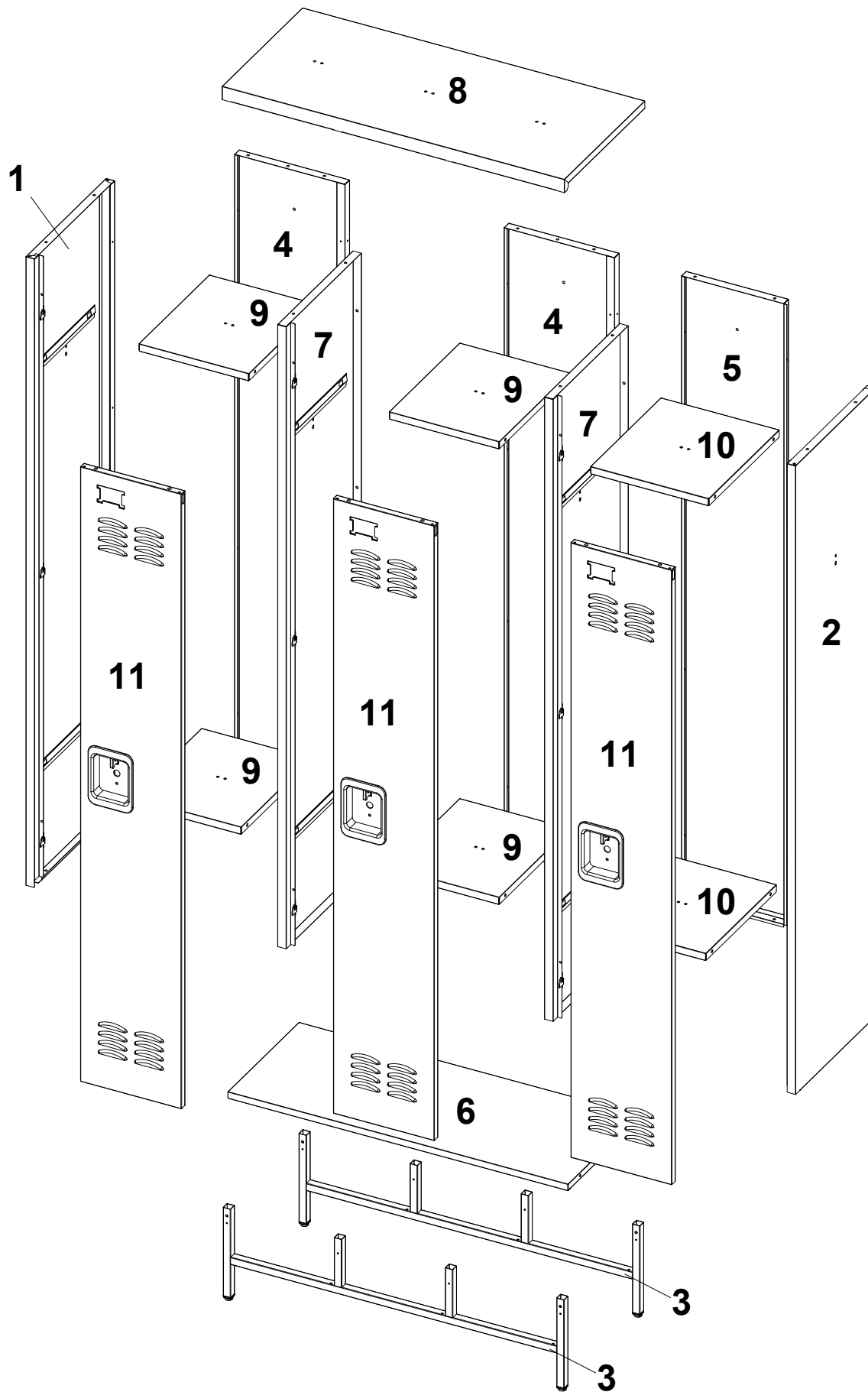


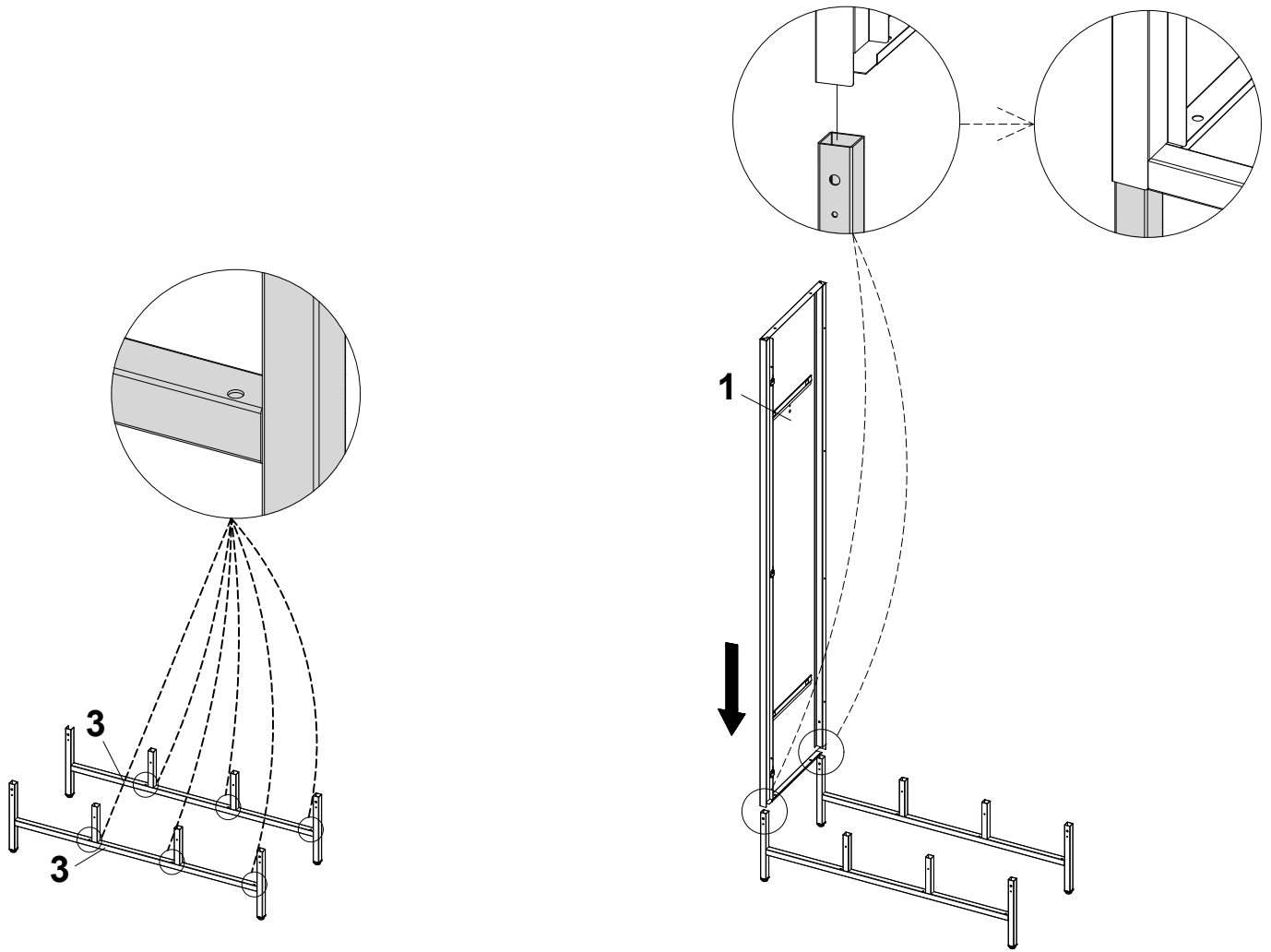
Installation video



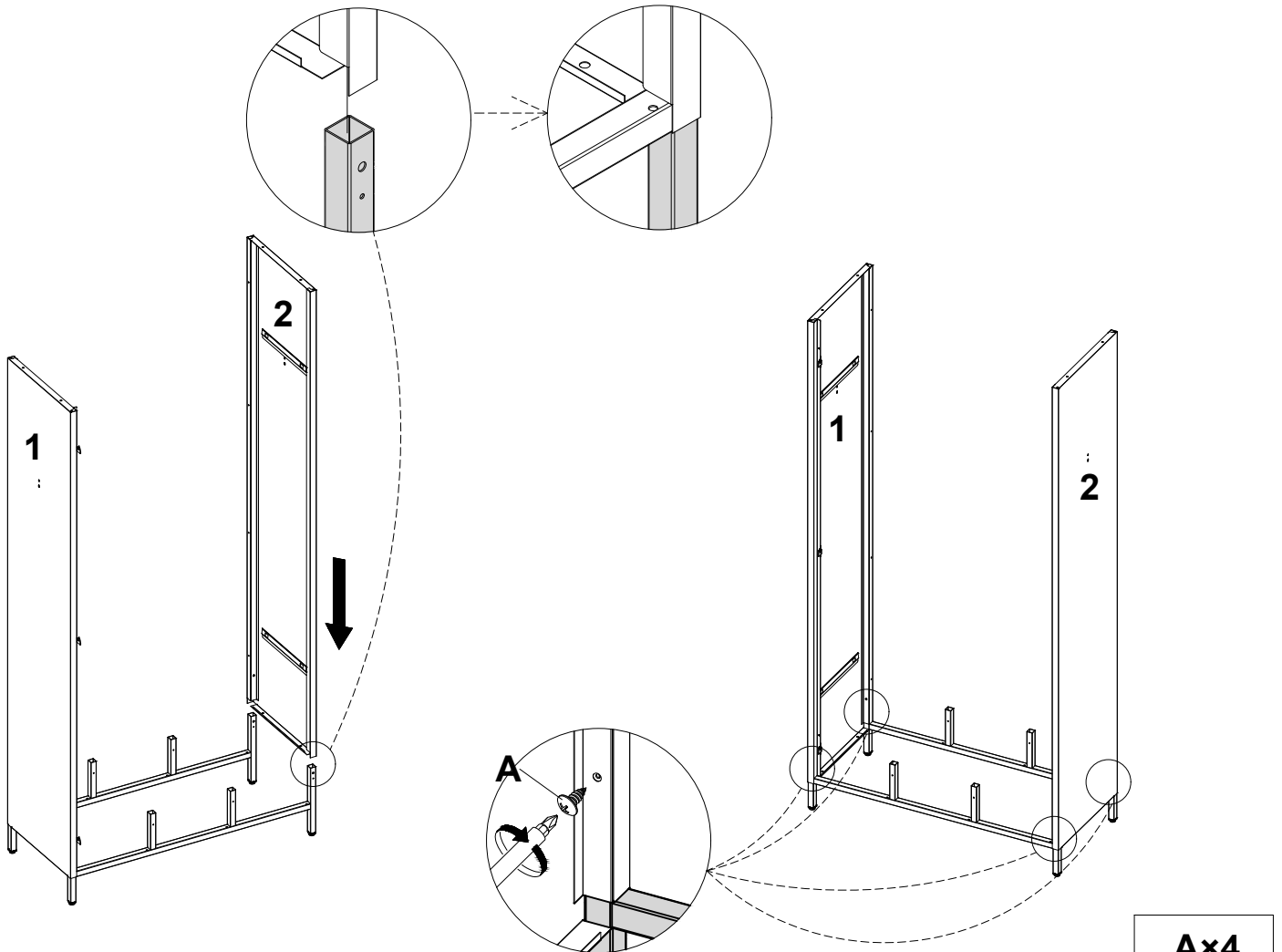
<p>1x1</p> 	<p>2x1</p> 	<p>3x2</p> 	<p>4x2</p> 				
<p>5x1</p> 	<p>7x2</p> 	<p>8x1</p> 	<p>11x3</p> 				
<p>10x2</p>  <p>352x312mm 9.92x12.28inch</p>	<p>Ax41</p>  <p>M5x 12mm 0.47inch</p>	<p>Bx14</p>  <p>M5</p>	<p>Cx6</p> 	<p>Dx3</p> 	<p>Ex2</p>  <p>M8</p>  <p>M5x 30mm 1.18inch</p>  <p>M5</p>	<p>Fx6</p> 	
<p>Gx3</p> 	<p>Hx3</p> 						



1

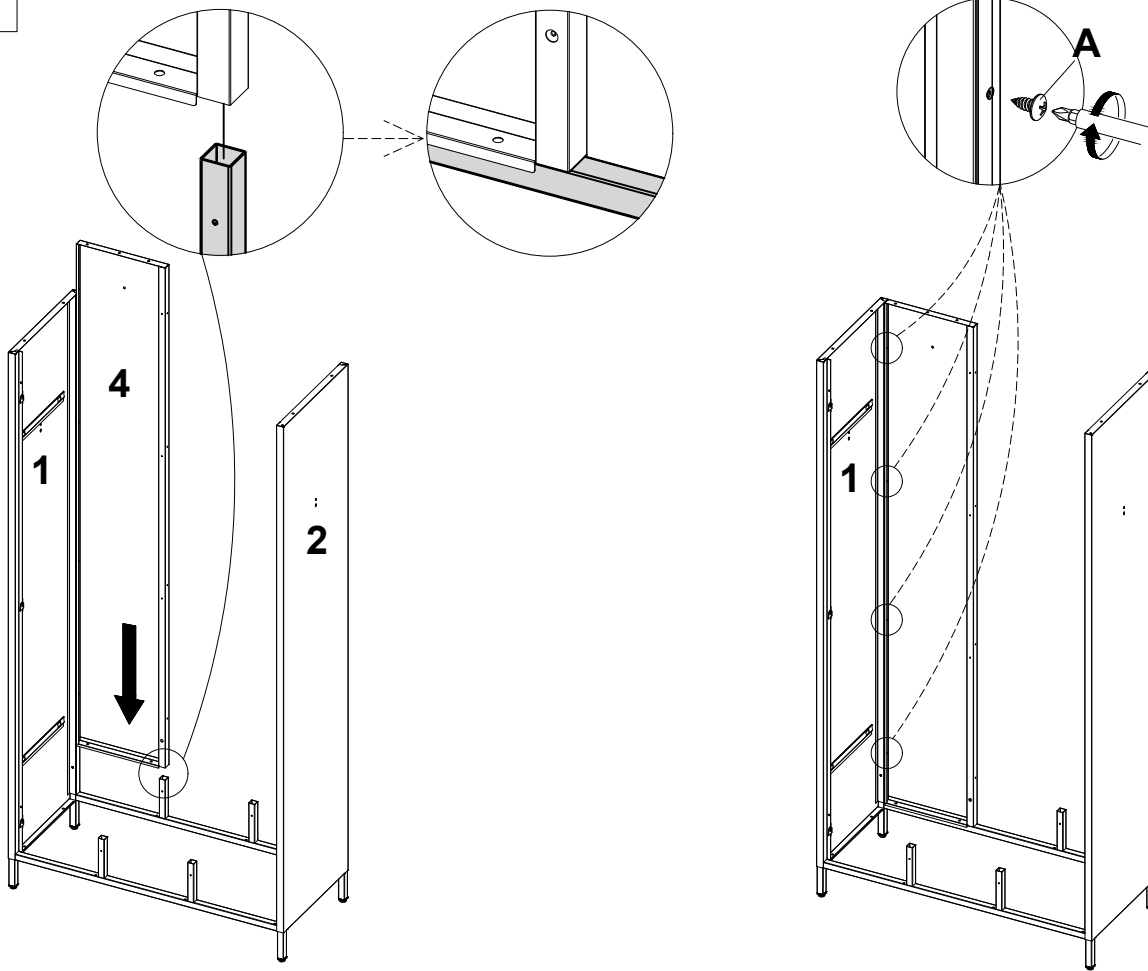


2



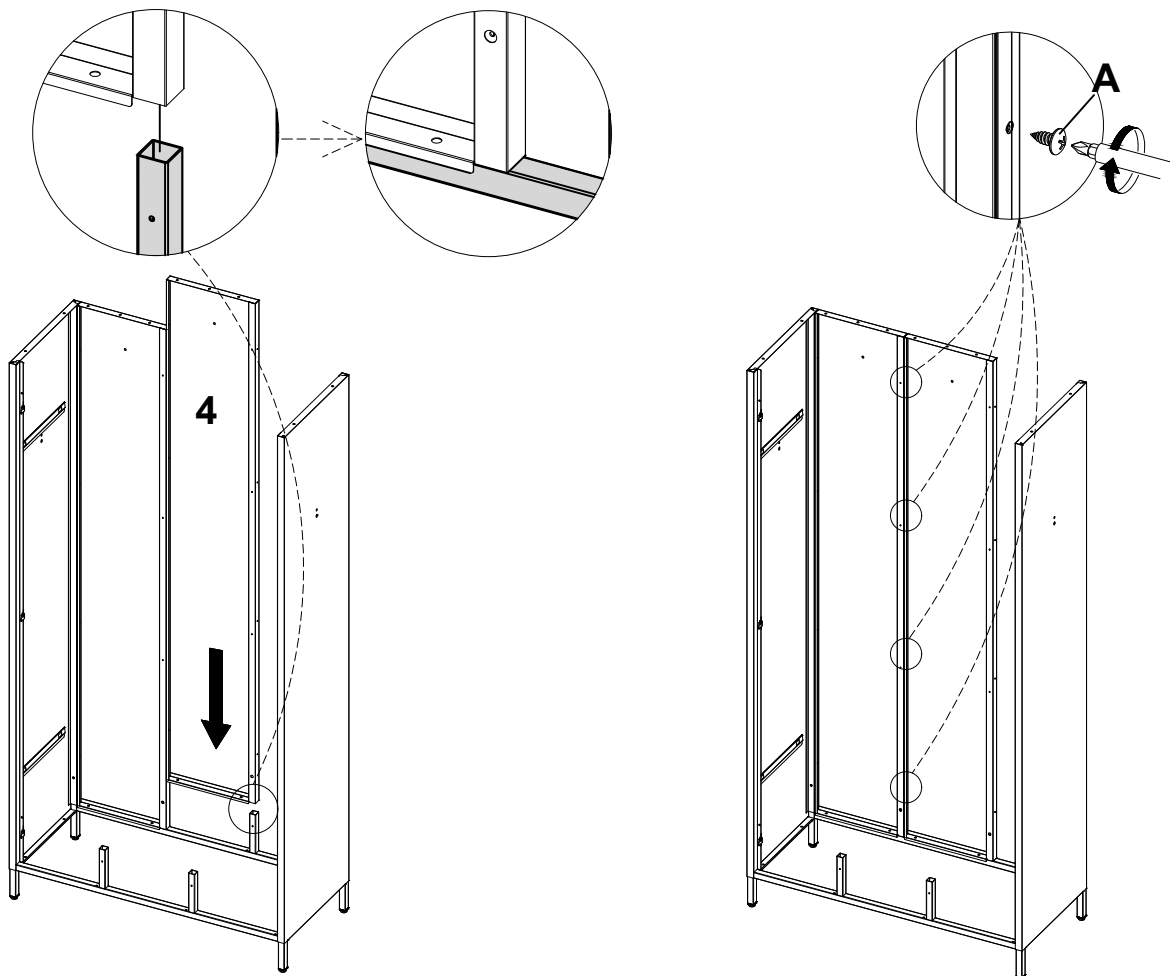
A×4

3



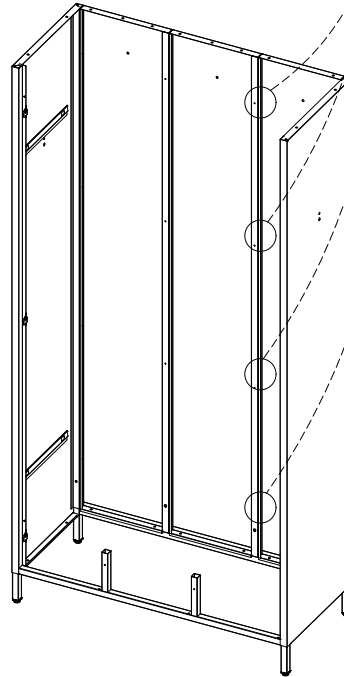
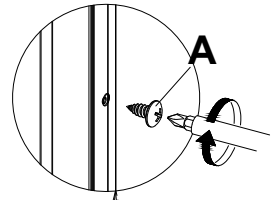
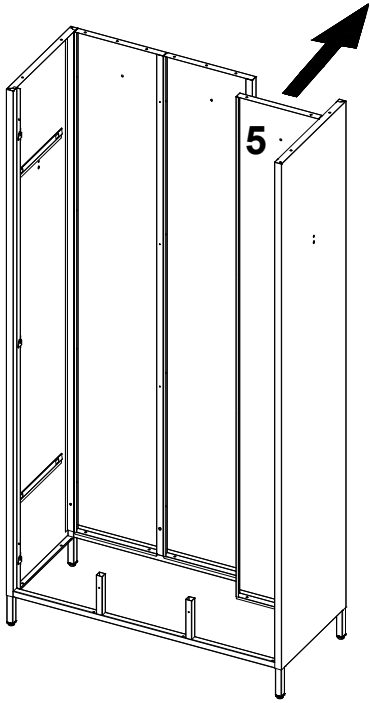
A×4

4



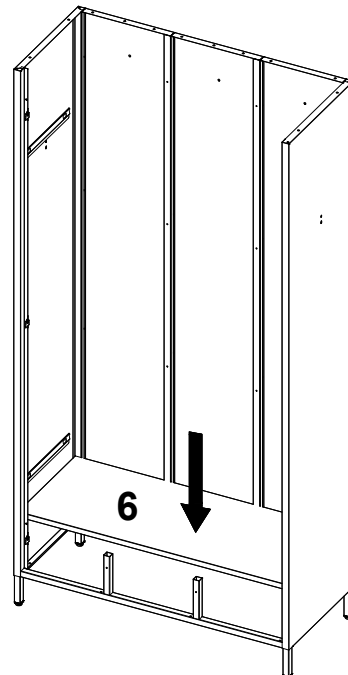
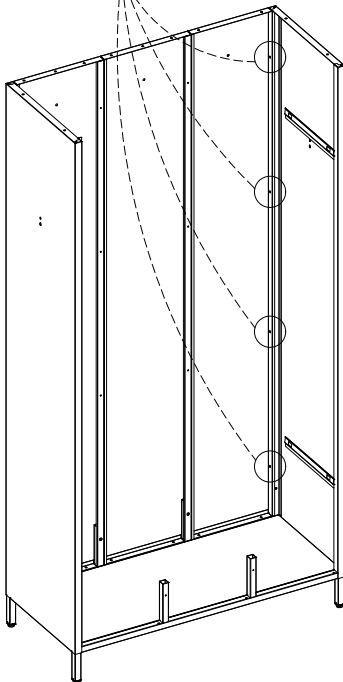
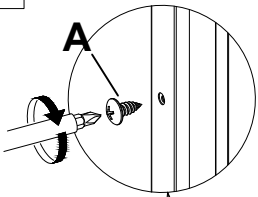
A×4

5



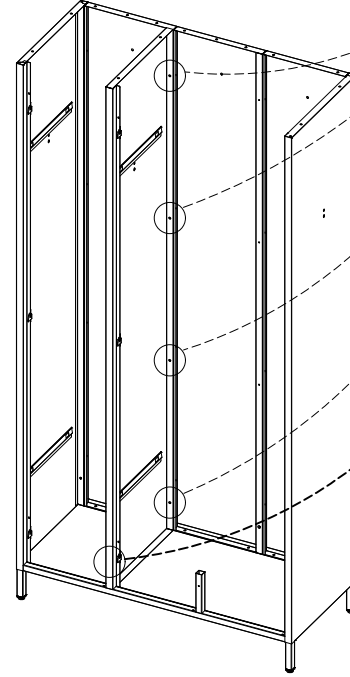
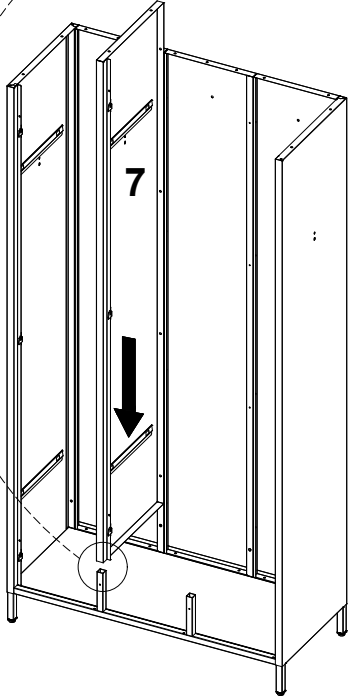
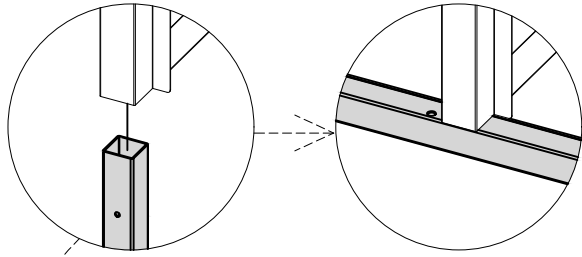
A×4

6



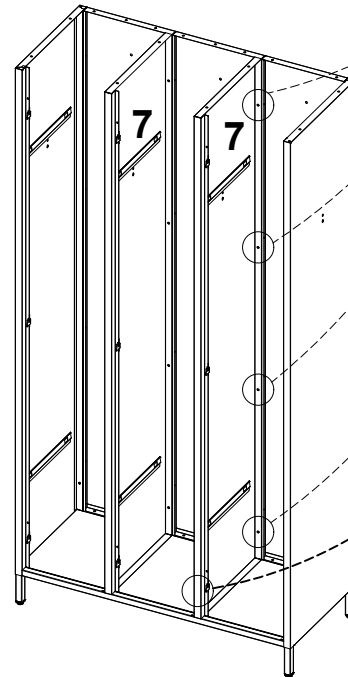
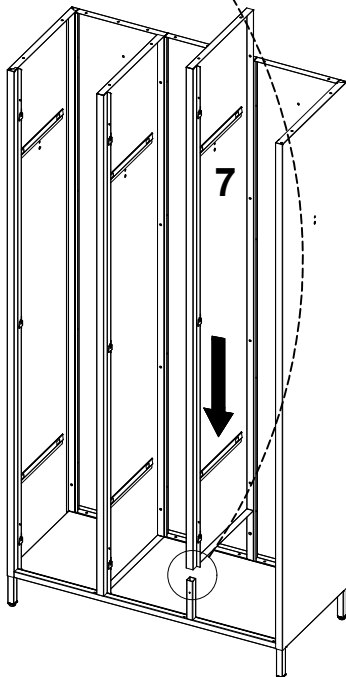
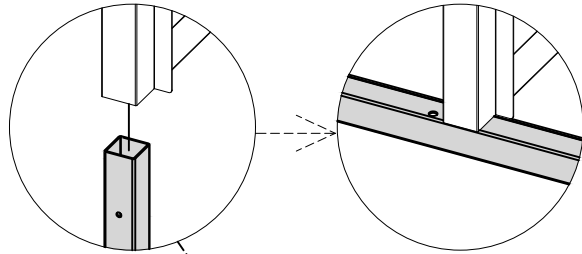
A×4

7



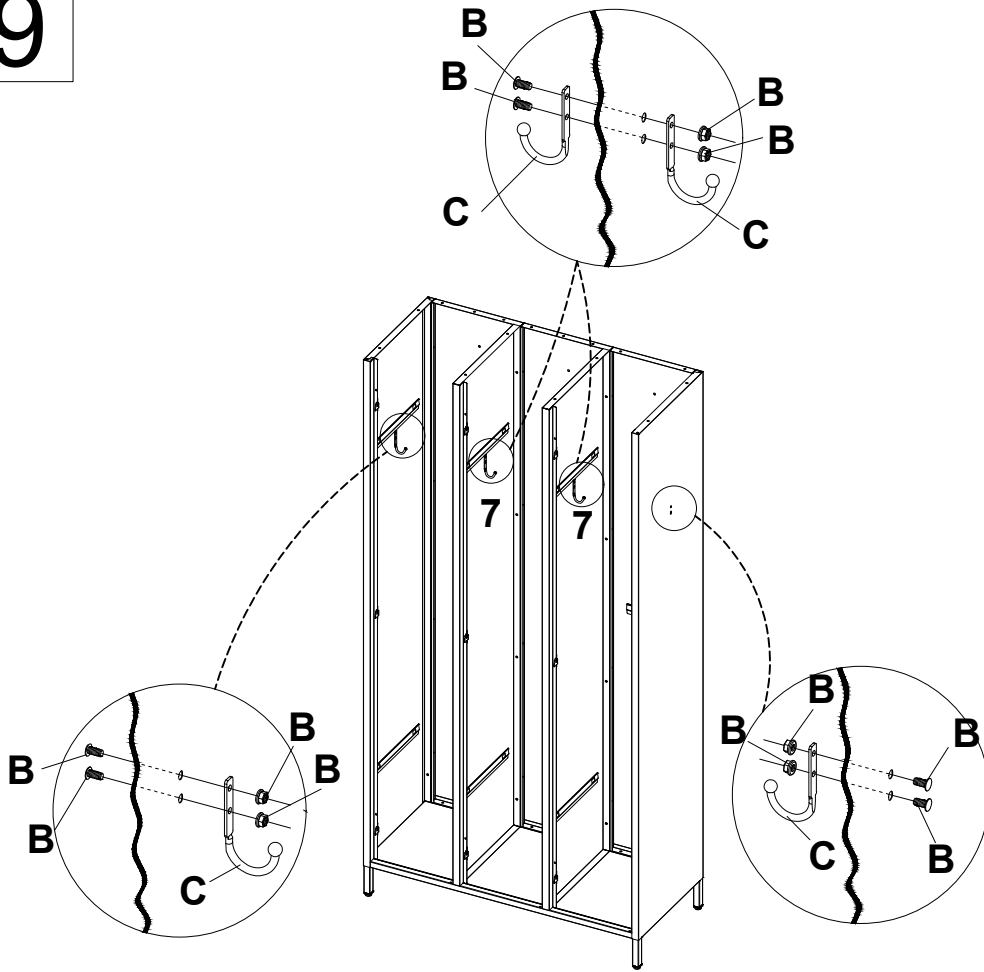
A×5

8



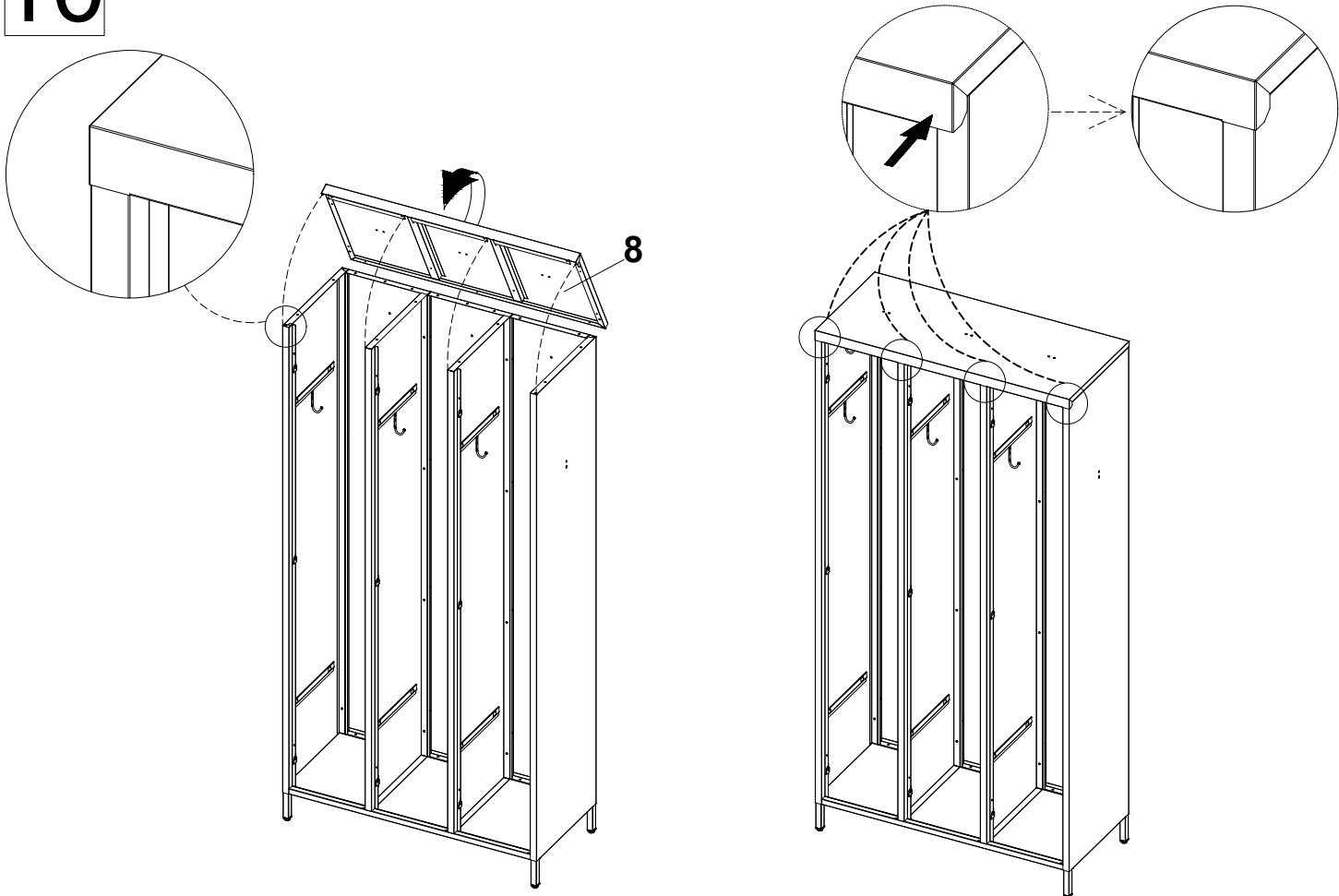
A×5

9

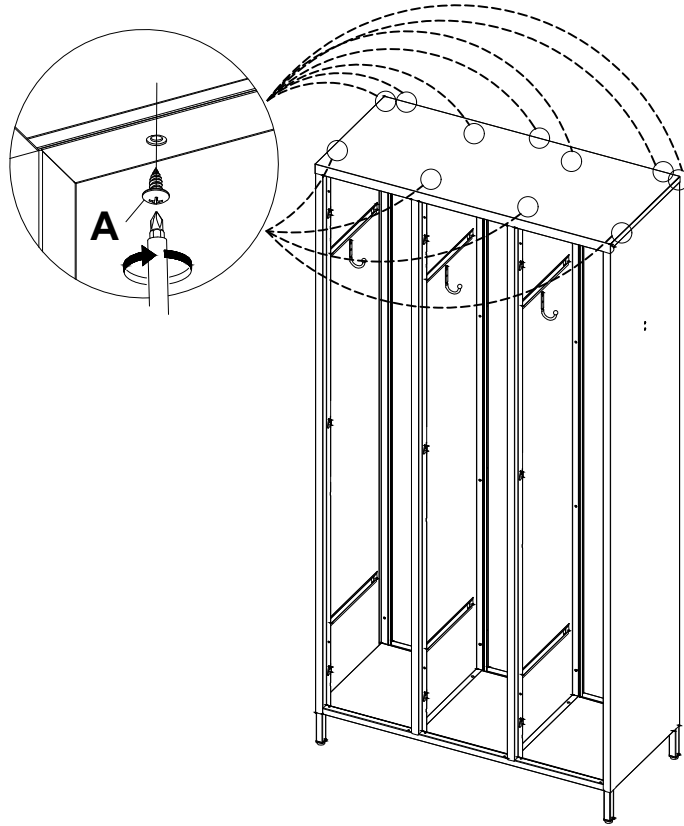


B×8	C×6
------------	------------

10



11



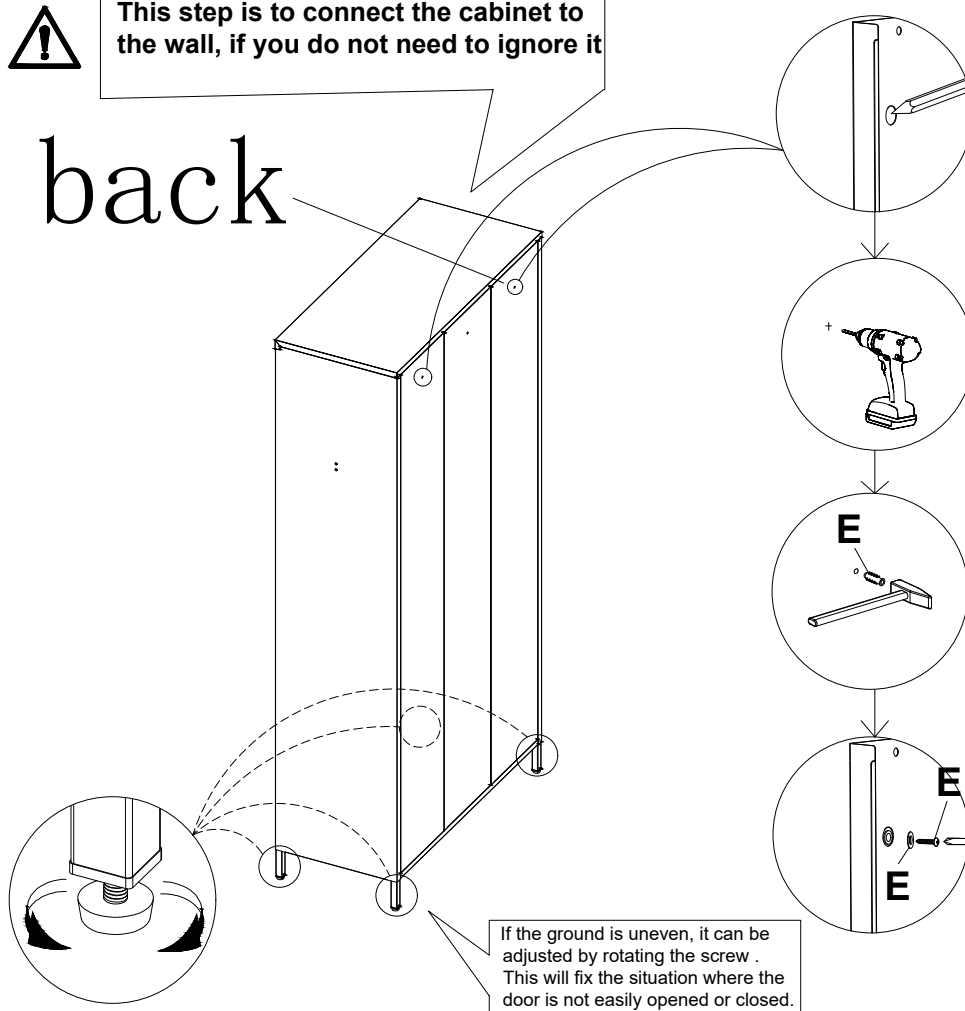
A×11

12



This step is to connect the cabinet to the wall, if you do not need to ignore it

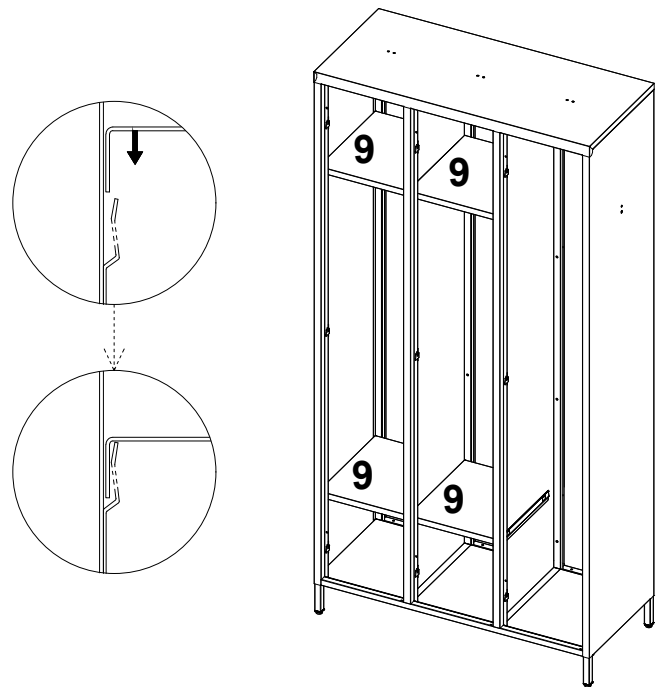
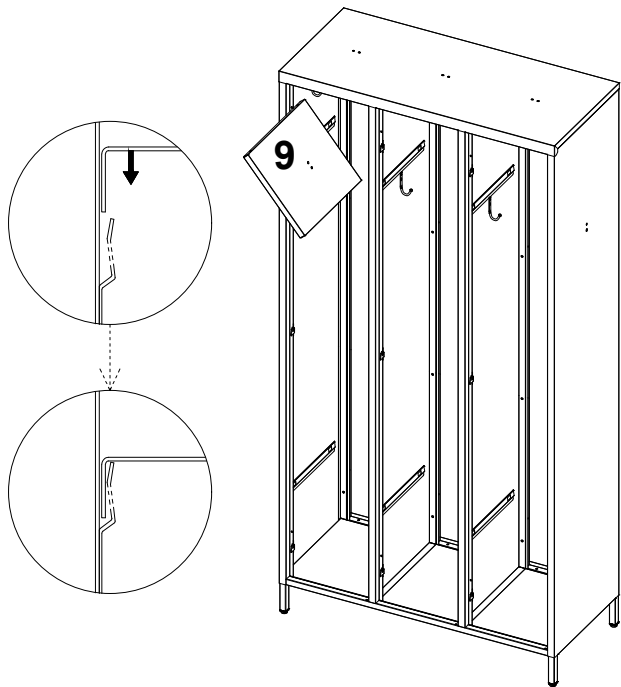
back



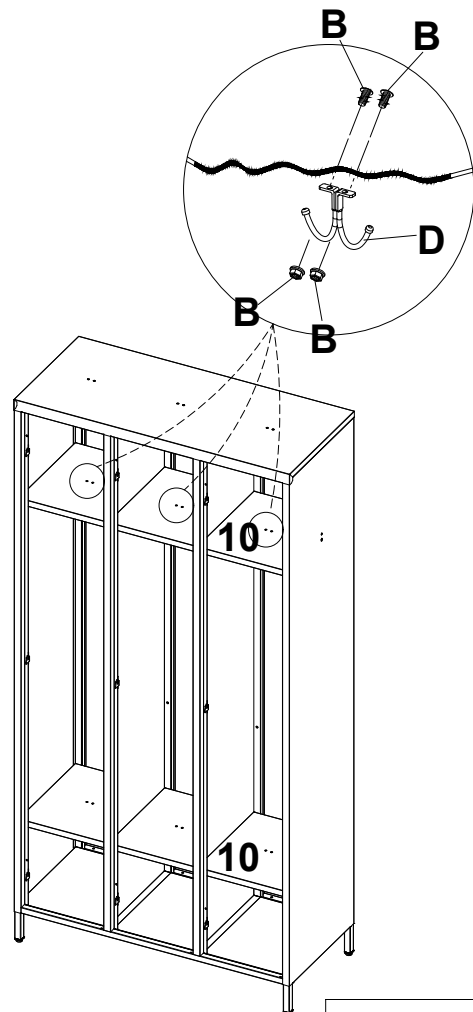
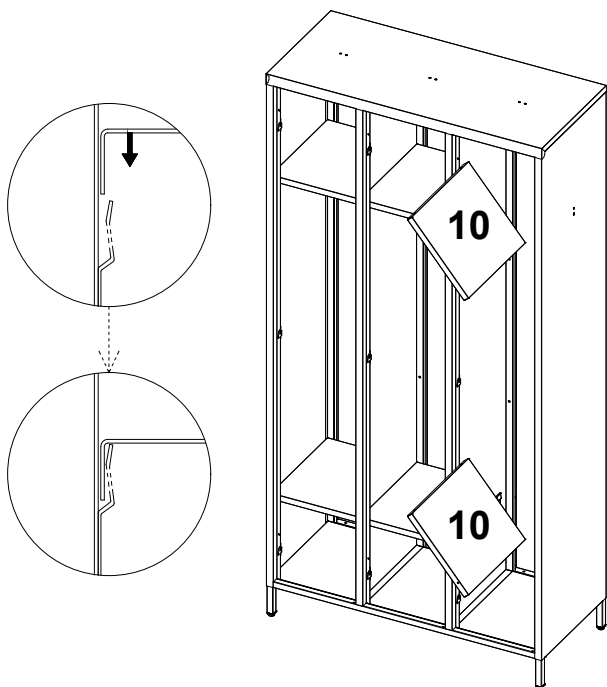
If the ground is uneven, it can be adjusted by rotating the screw . This will fix the situation where the door is not easily opened or closed.

E×2

13

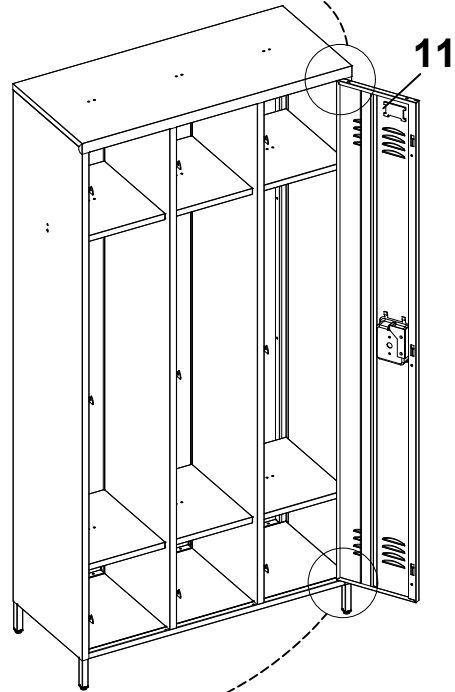
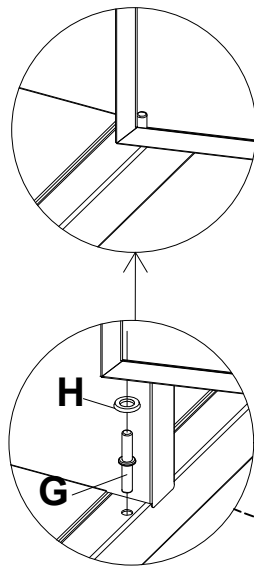
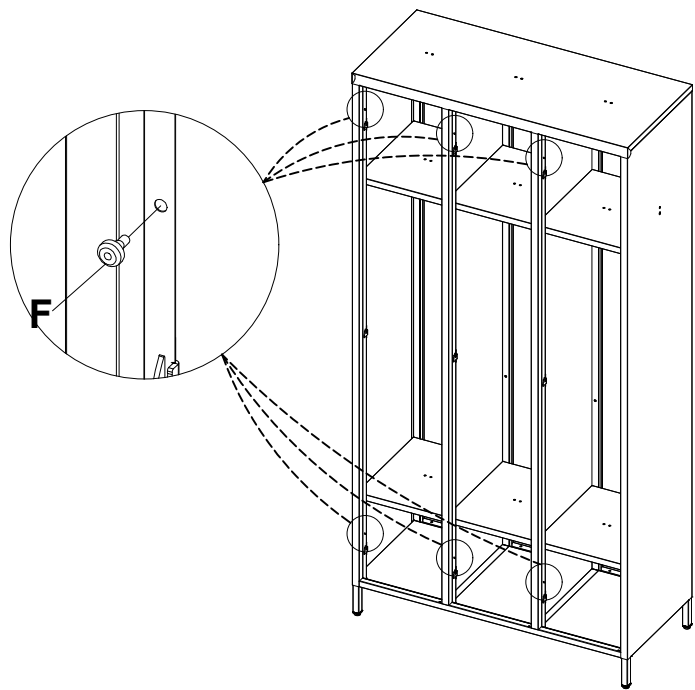


14



B×6	D×3
------------	------------

15



F×6	G×3	H×3
------------	------------	------------

16

