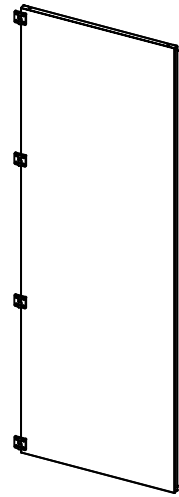
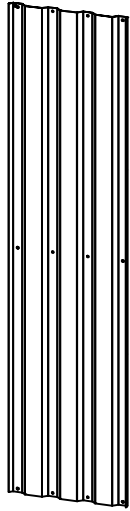
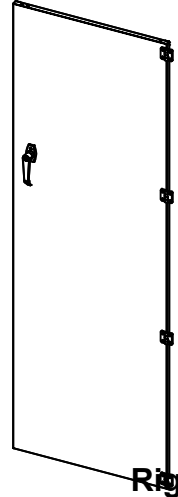


H1850mm*W1230mm*D905mm



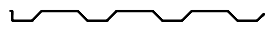


Left Door

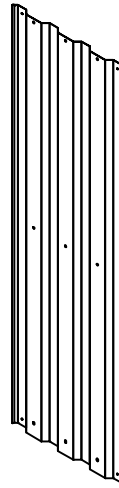
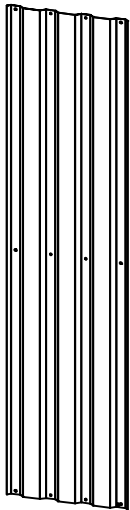


Right Door

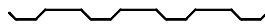
A 6PCS



D 2PCS



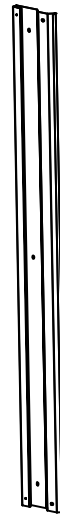
B 1PC



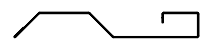
E 3PCS

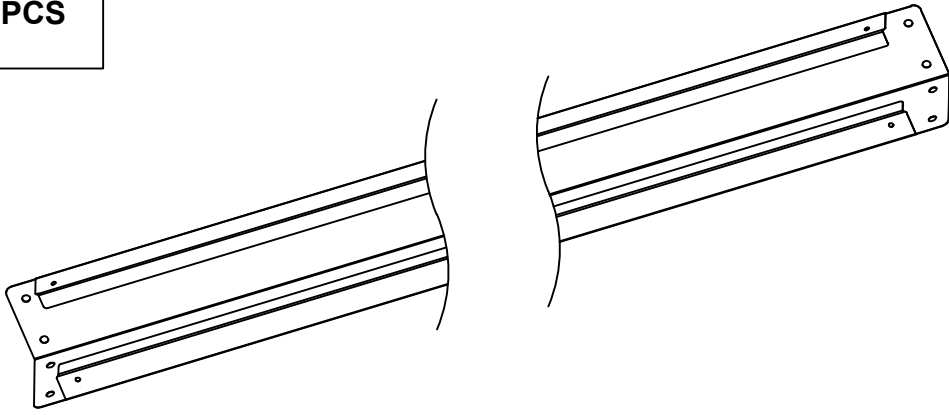
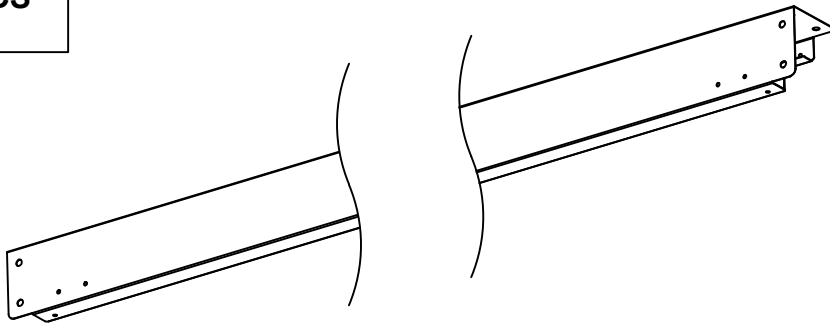
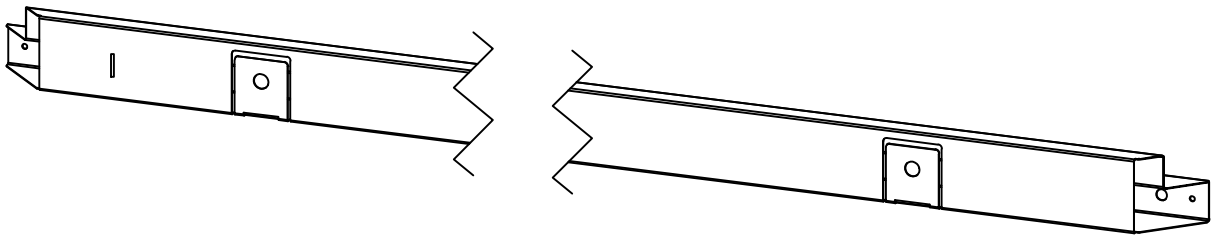
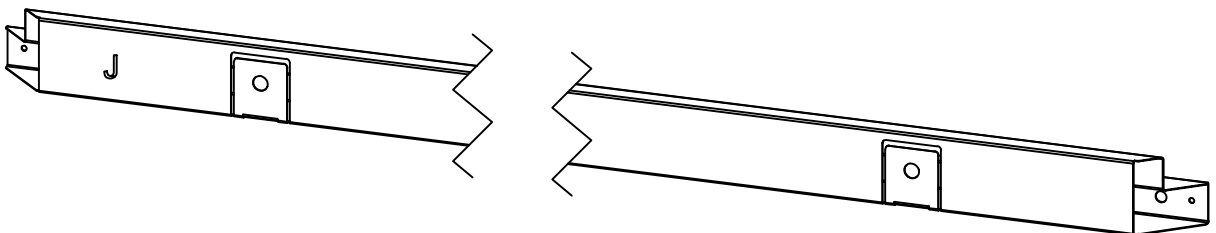


C 0PC



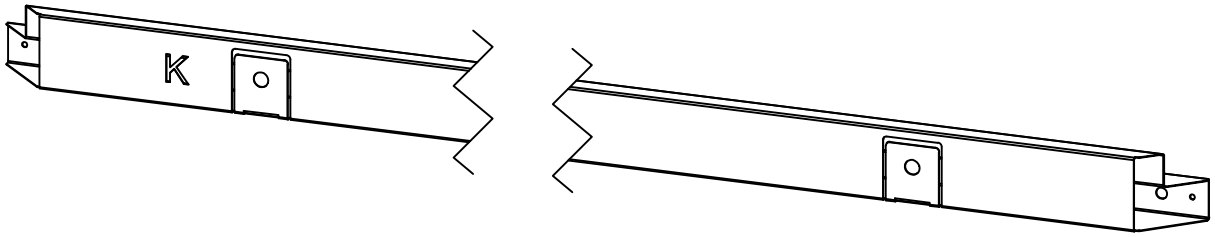
F 2PCS



G**2PCS****H****2PCS****I****1PC****J****1PC**

K

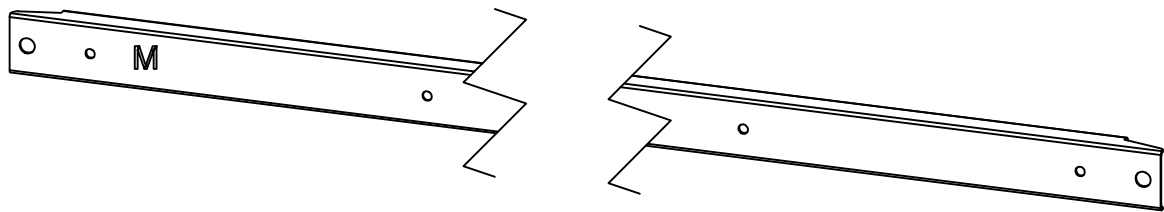
2PCS

**L**

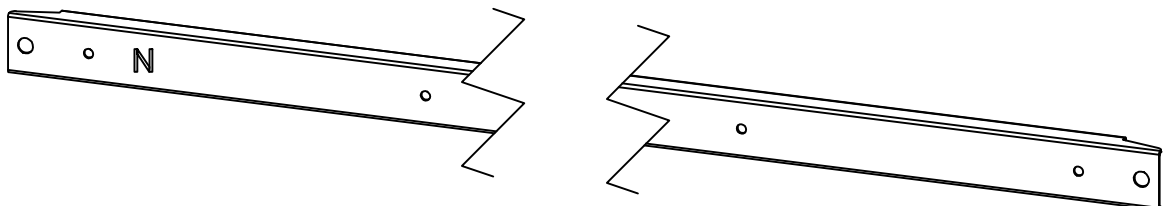
0PC

M

2PCS

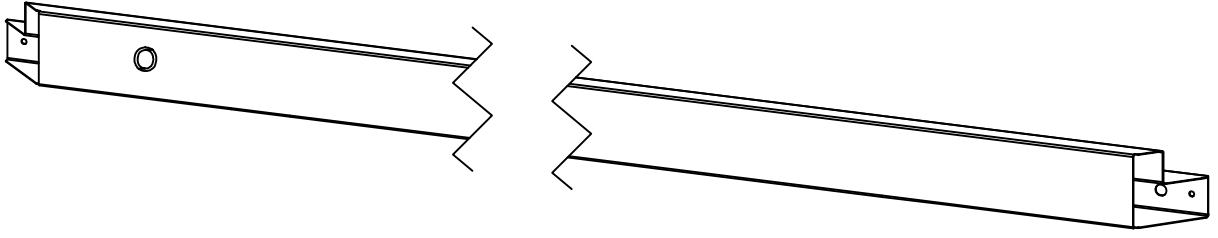
**N**

1PC



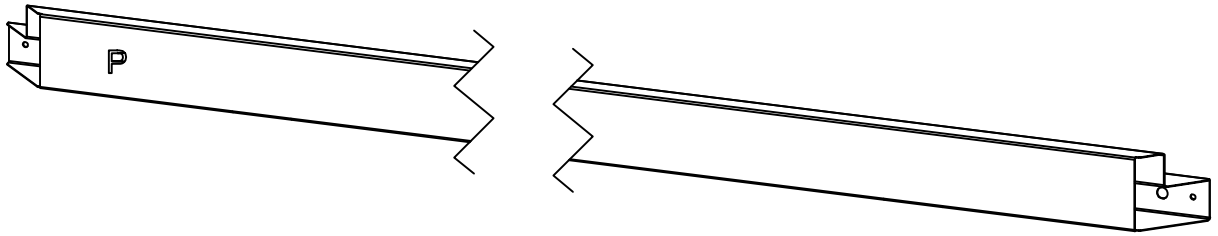
O

1PC



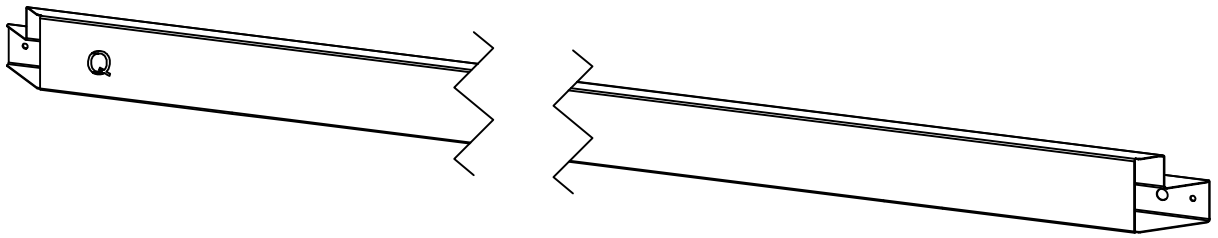
P

1PC



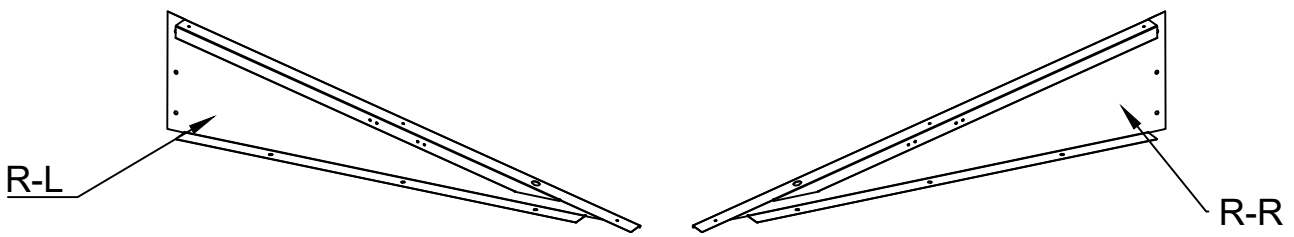
Q

2PCS



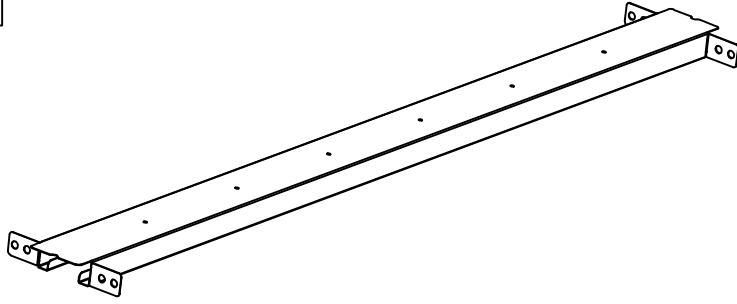
R

2PCS

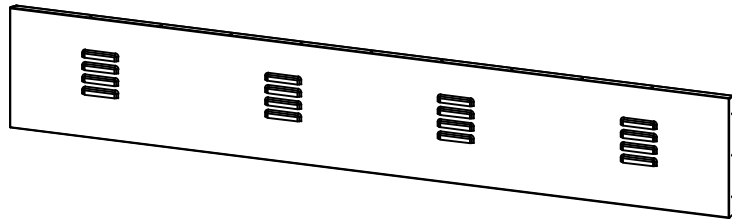


S

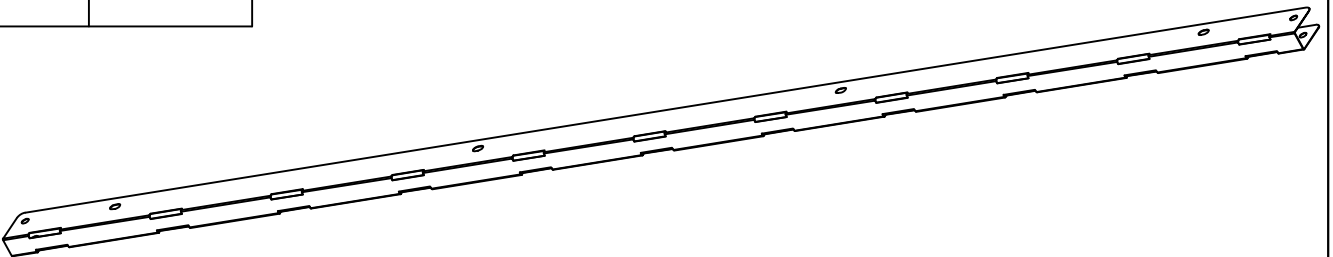
1PC

**T**

1PC

**U**

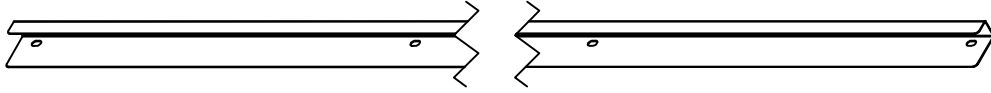
2PCS

**V**

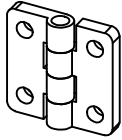
0PC

f

1PC

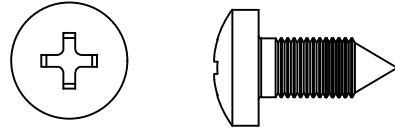
**X**

8PCS

**b**

242PCS

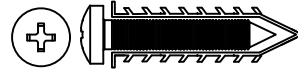
5*10

**Y**

1PC

**c**

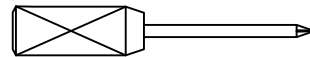
8PCS

**Z**

2PCS

**d**

1PC

**a**

0PC

e

55PCS



Precautions before installation

First, please find the level ground before installation, otherwise it will cause the hole position is not correct!

Second, it is recommended to use an electric drill when installing.

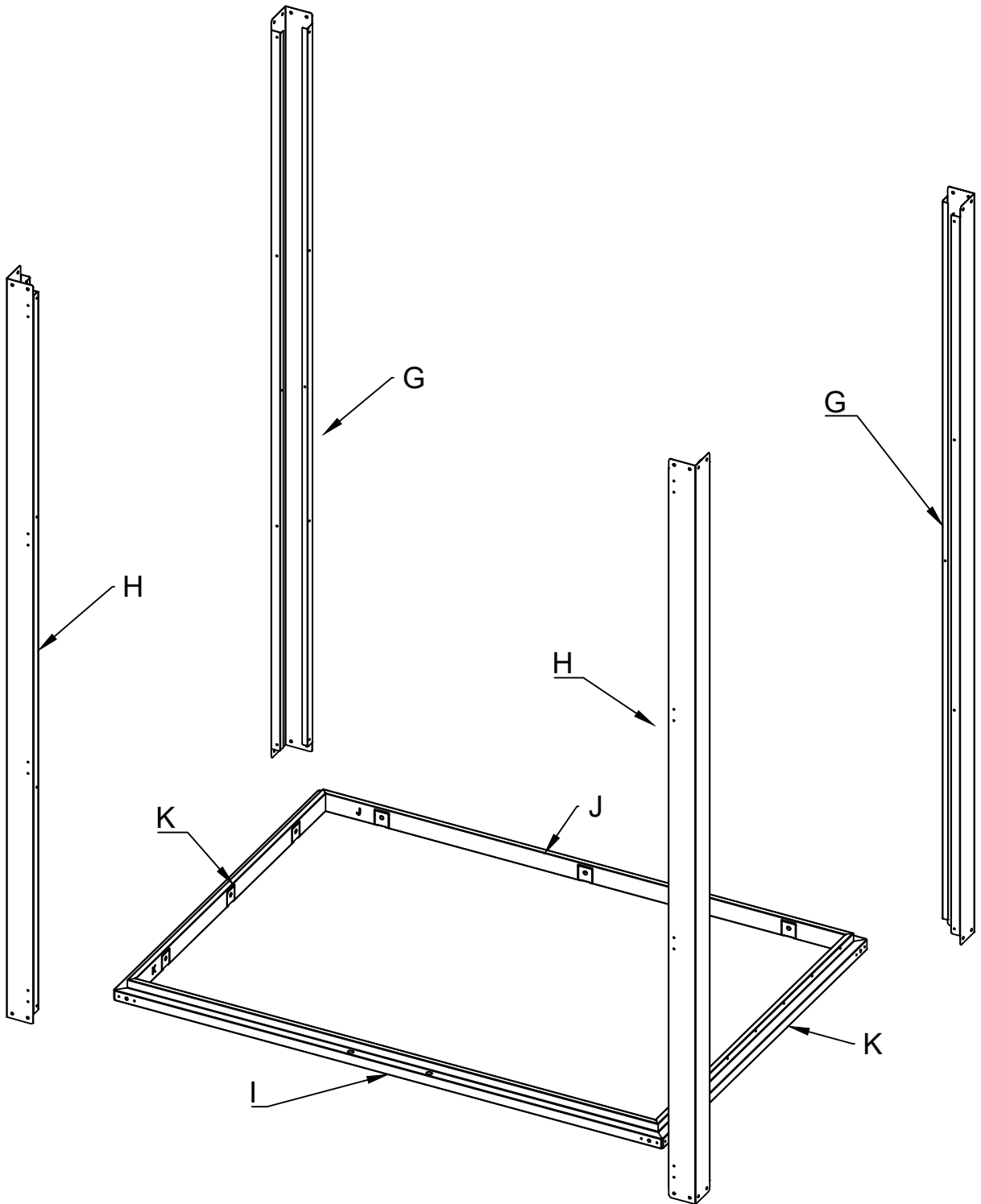
Third, parts on E-A, E-B, E-C The E in front is the factory style code, you don't need to see the prefix on the parts when installing.

Step 1

b



16PCS

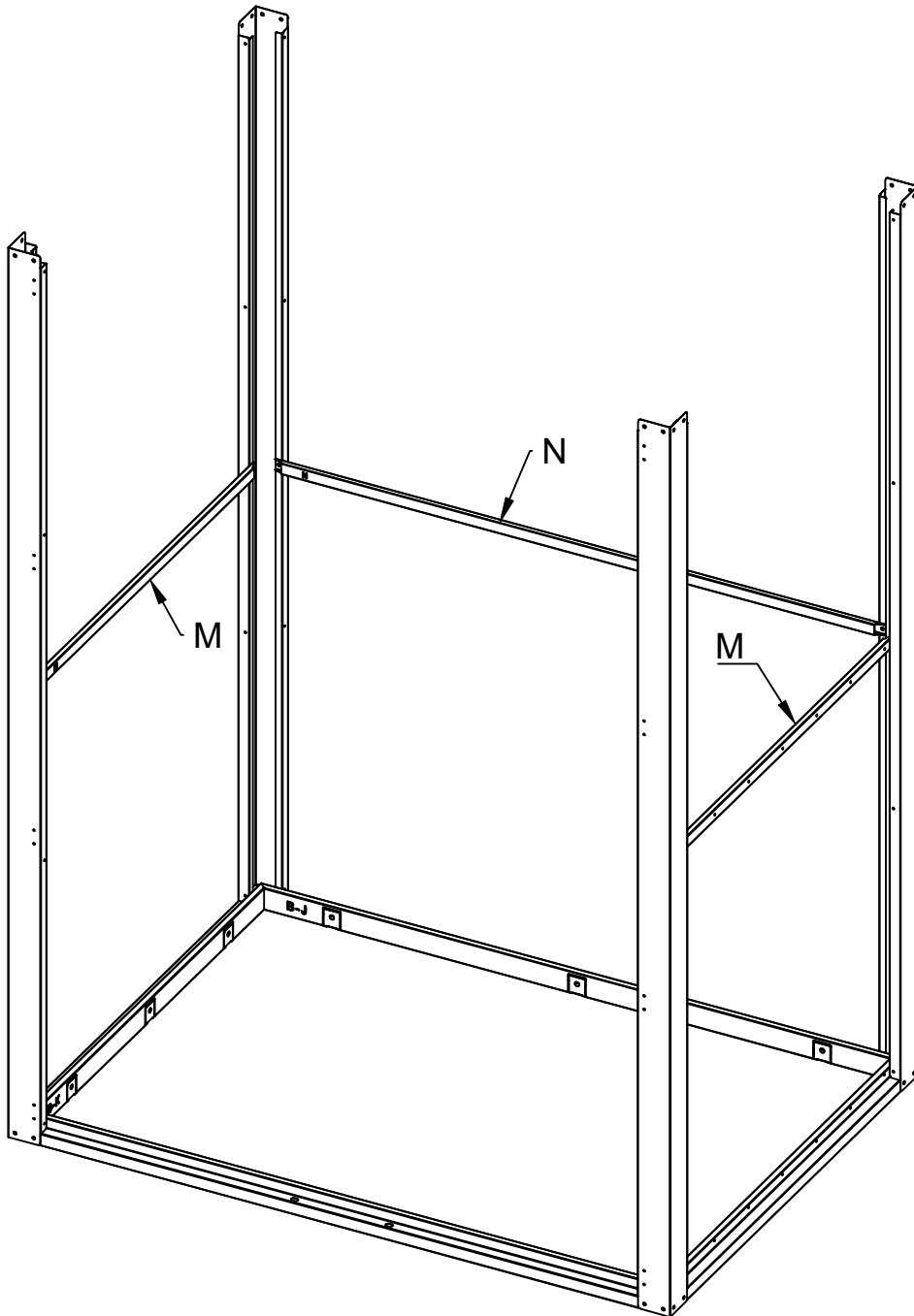


Step 2

b



6PCS

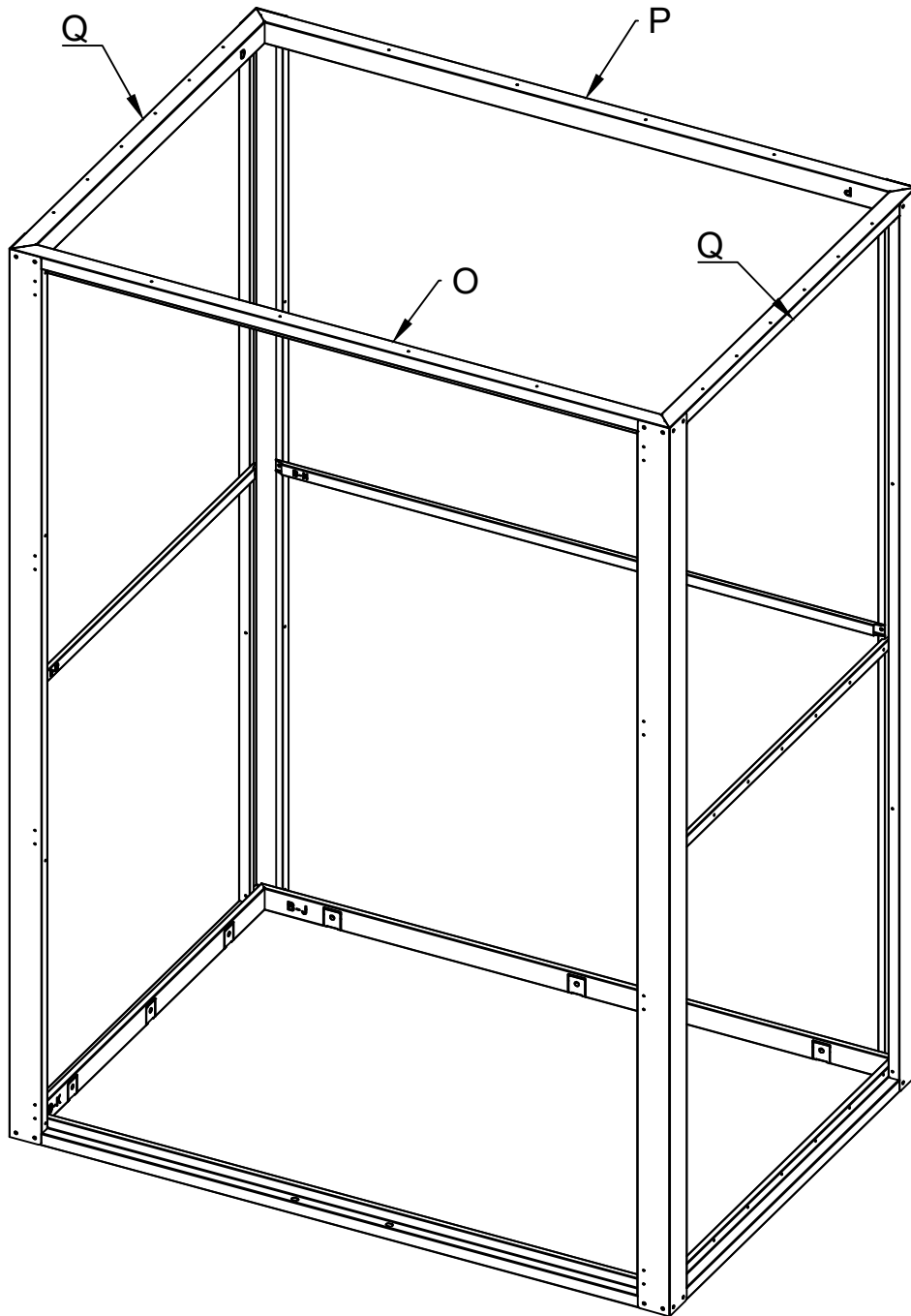


Step 3

b

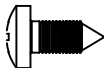


16PCS

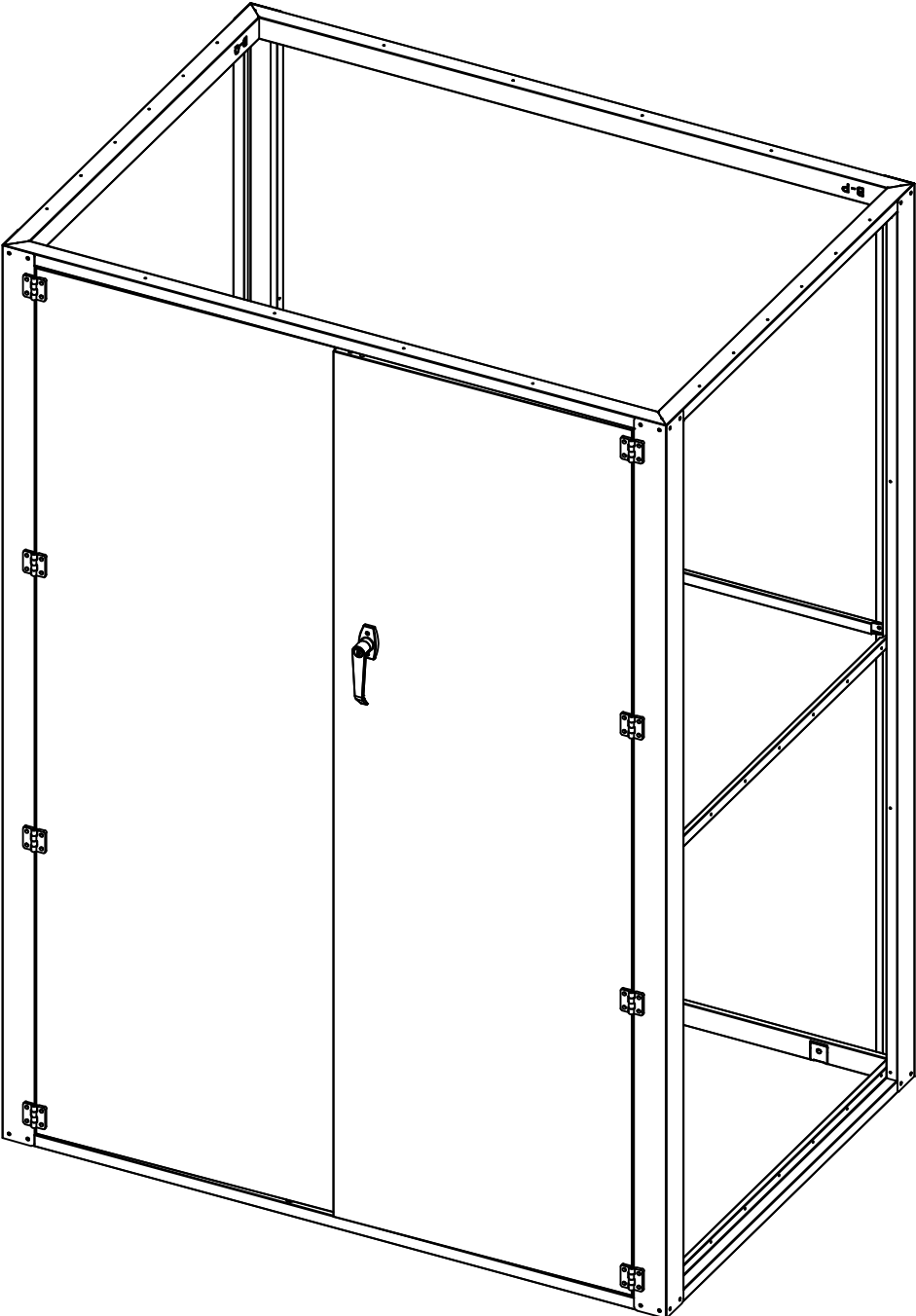


Step 4

b



32PCS

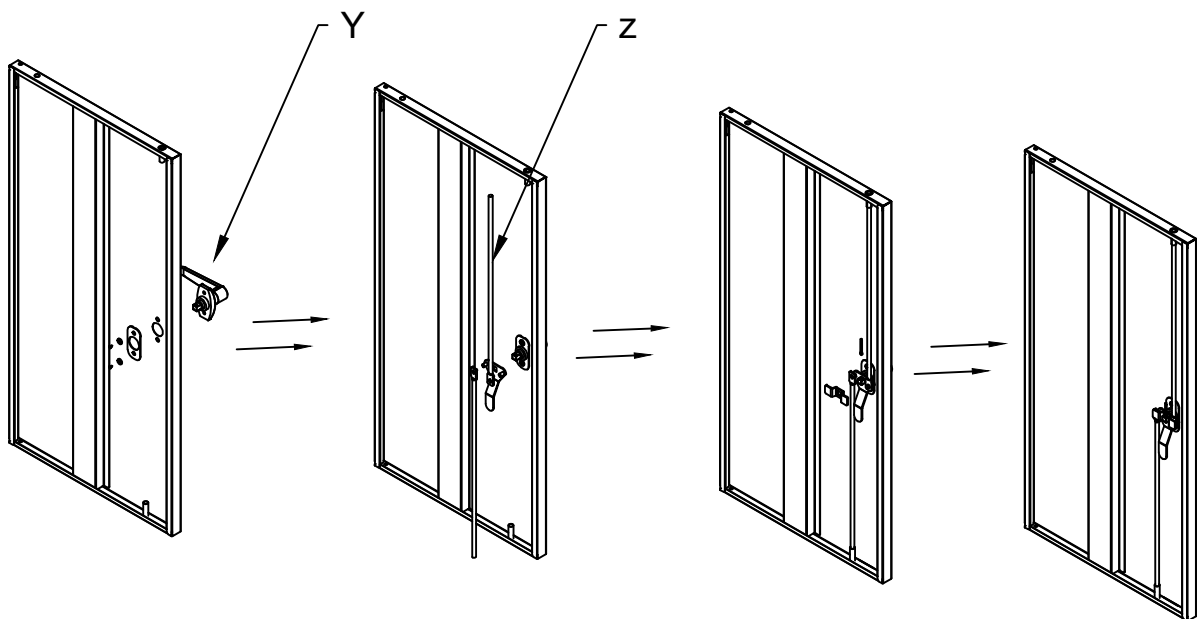
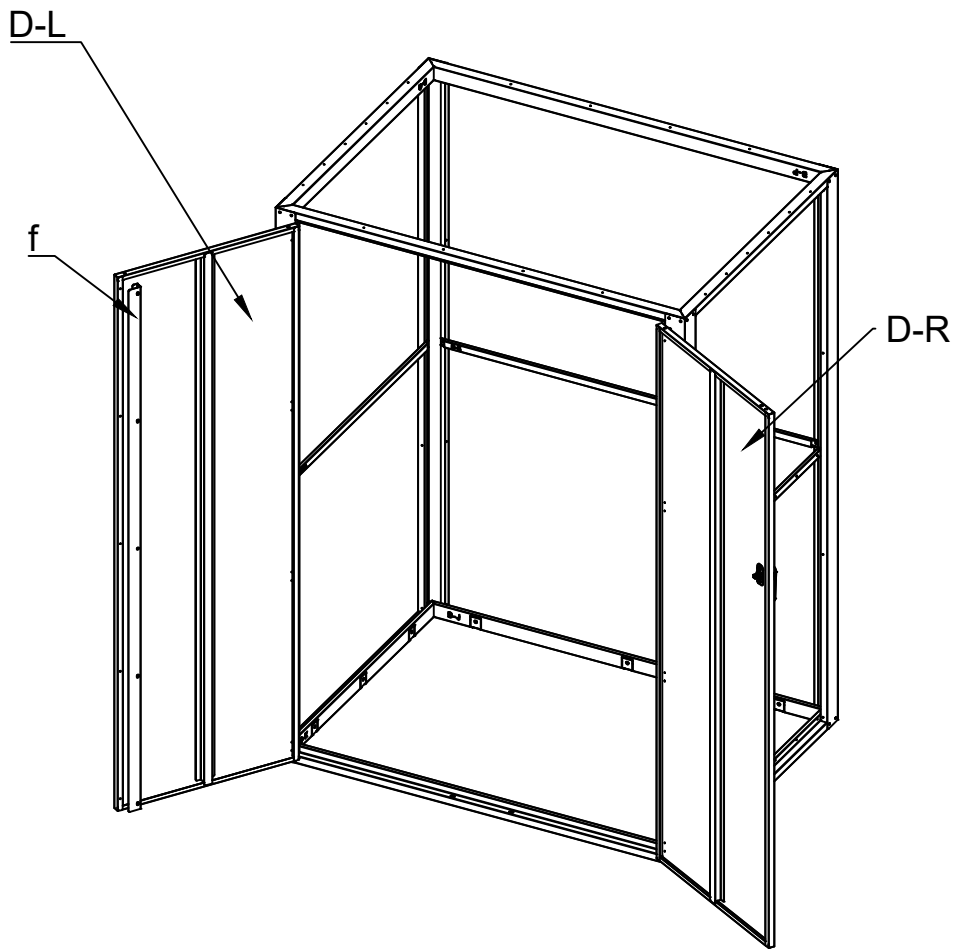


Step 5

b



5PCS

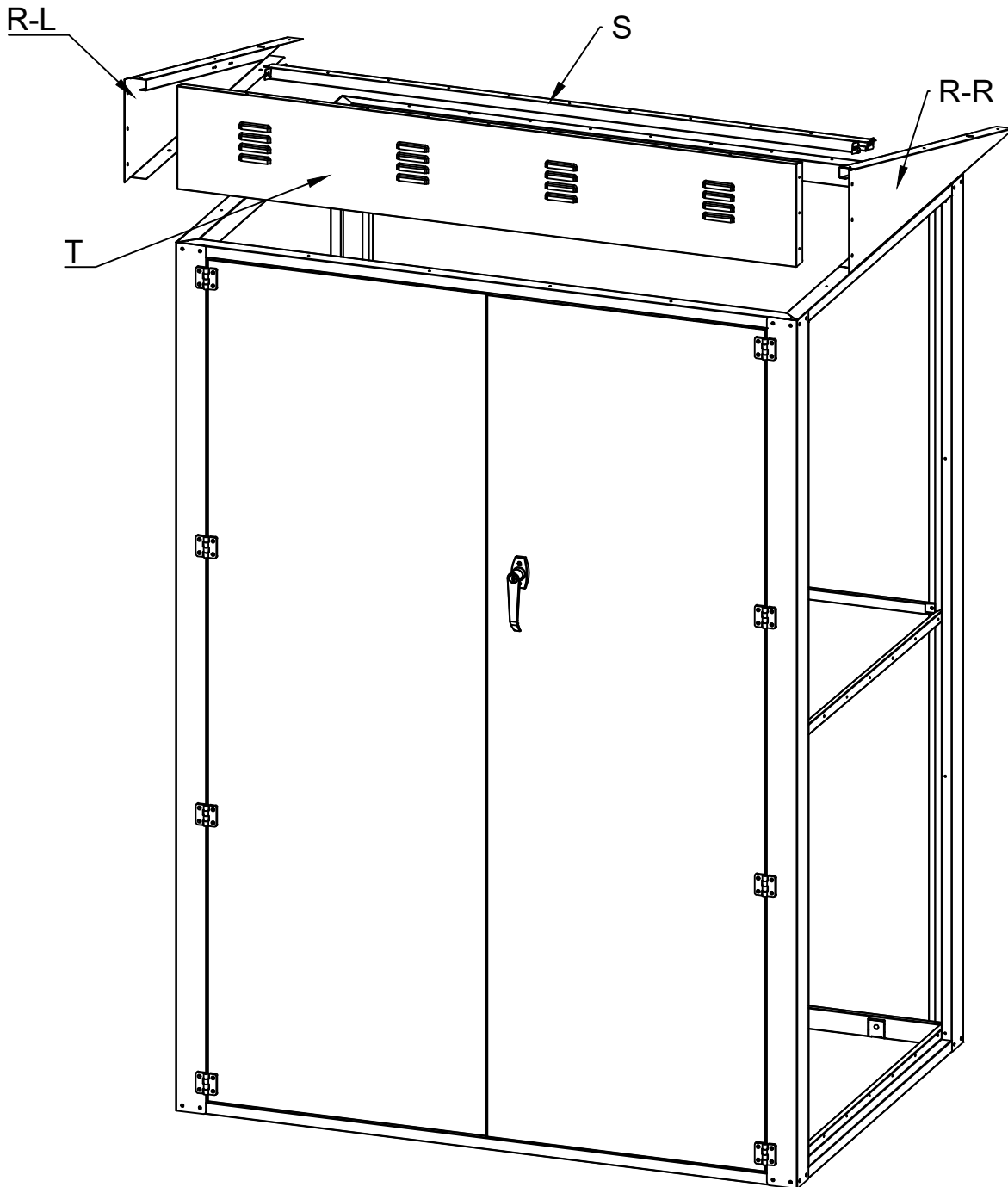


Step 6


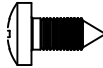

b

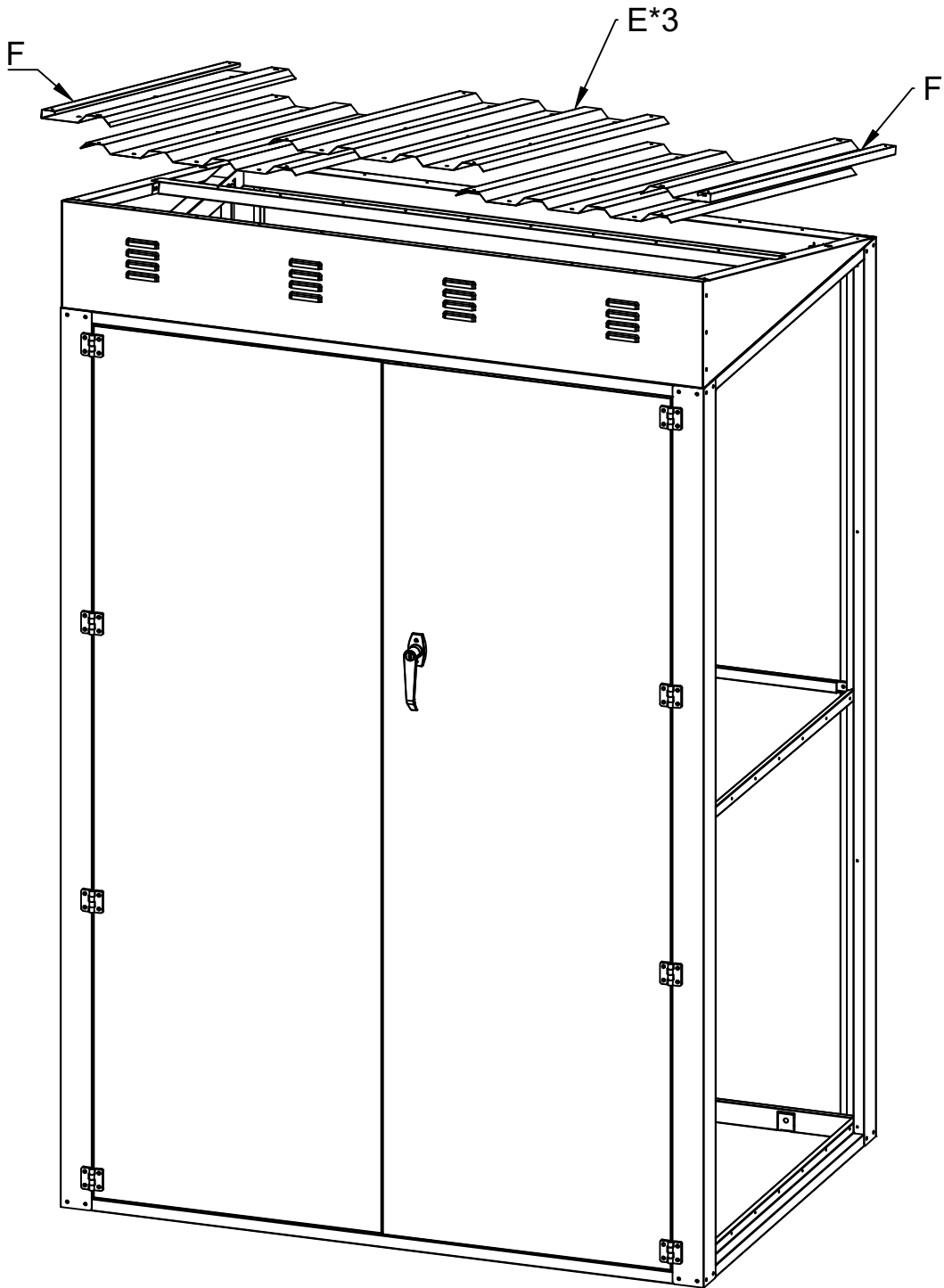


20PCS



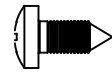
Step 7

b	 	33PCS
e		33PCS



Step 8

b



12PCS

e



12PCS



Step 9

b



96PCS

