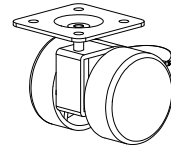
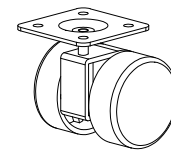


► SCREW PACKAGE



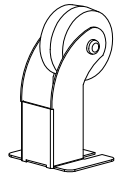
A×2

Lockable Casters



B×2

Castors



C×1

Caster



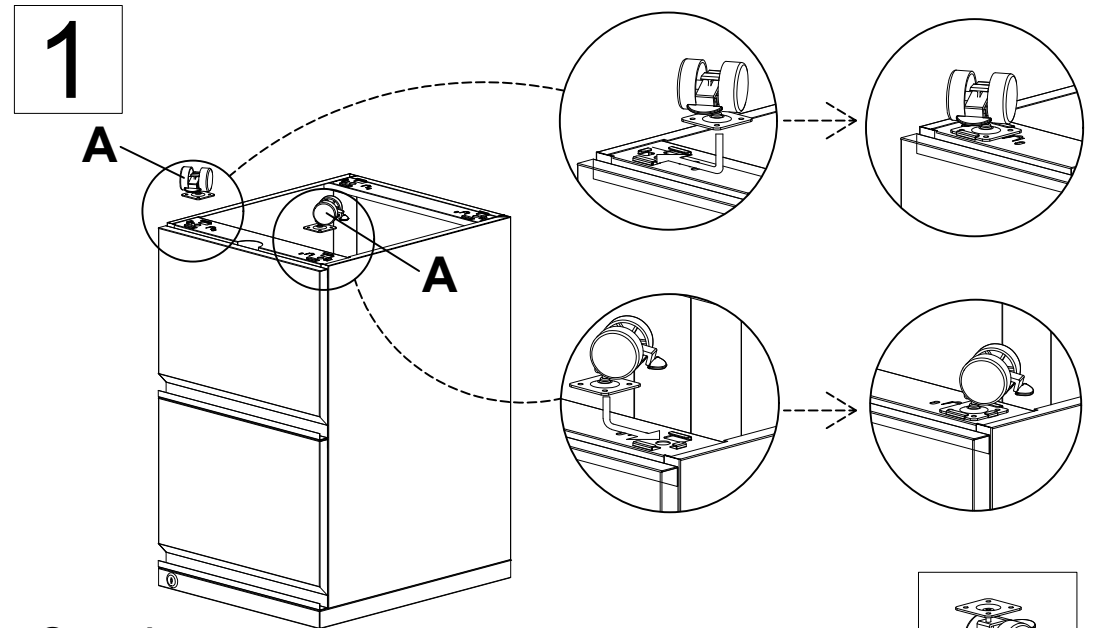
D×1

Screws



E×1

Wrench



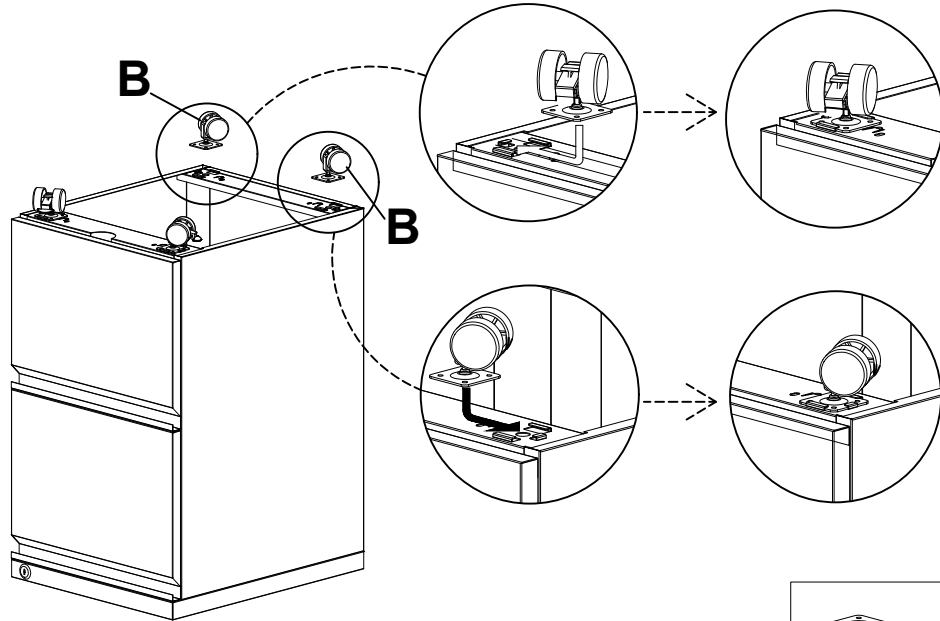
Step 1

Attach Lockable Casters (A)*2 to the front of the File Cabinet.



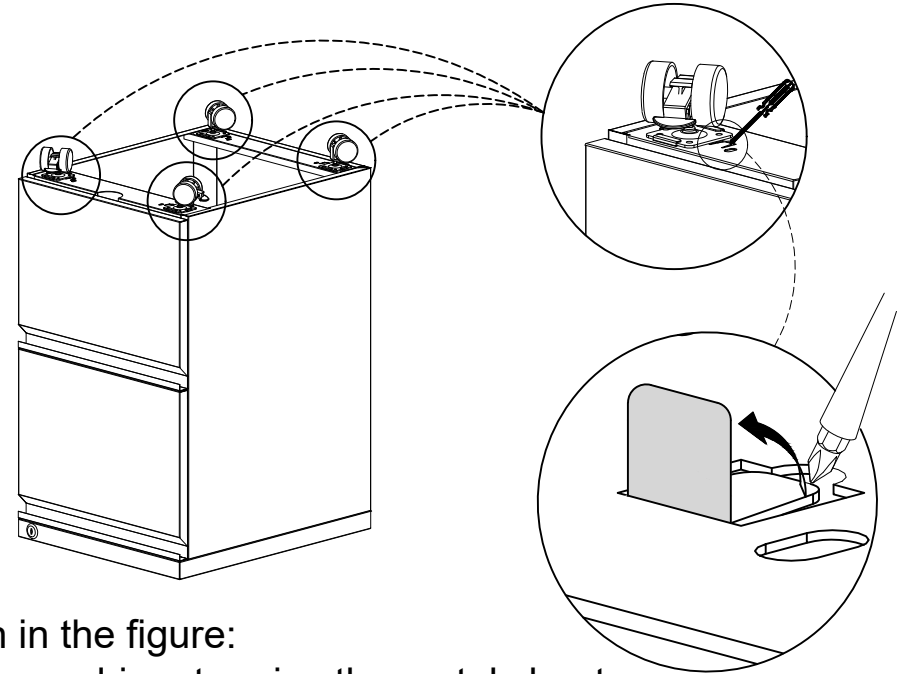
A×2

2



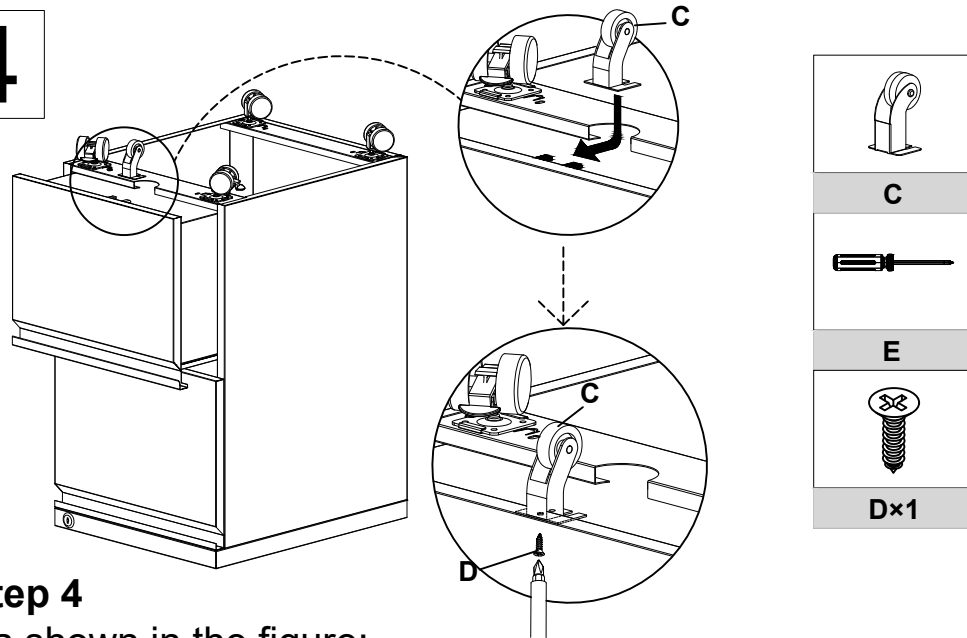
Step 2
Attach Casters (B)*2 to the back of the File Cabinet.

3



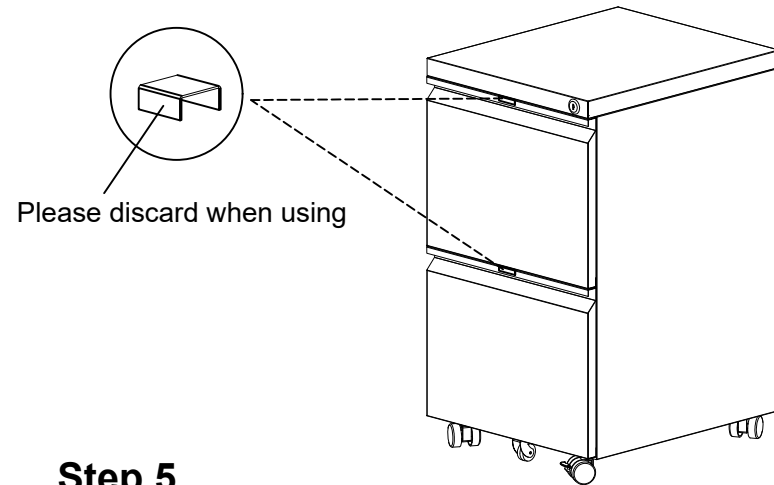
Step 3
As shown in the figure:
Use the screwdriver to raise the metal sheet and fix the wheel.

4



Step 4
As shown in the figure:
Pass the screw D through the drawer bucket to secure the part C.

5



Step 5
Your Mobile File Cabinet is ready for use.